

---

TABLE OF CONTENTS

---

General Information . . . . . 10-2

Elevation Notes . . . . . 10-3

Transom Elevation Notes . . . . . 10-4

Light Cut Information . . . . . 10-5

Clear Opening Design Data Table 1 & 2 Panel . . . . . 10-6

Clear Opening Design Data Table 3 & 4 Panel . . . . . 10-7

Clear Opening Layout . . . . . 10-8

Unit Sizing, Rough Openings & Masonry Openings . . . . . 10-9

Trim Options . . . . . 10-10

Frame Options . . . . . 10-11

Mullion Options . . . . . 10-12

Raised Panel Options . . . . . 10-13

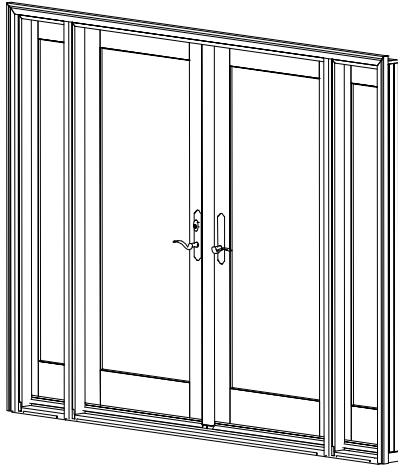
Bottom Rail Options . . . . . 10-14

Stiles Options . . . . . 10-15

Sill Options . . . . . 10-16

Section Details . . . . . 10-17

GENERAL INFORMATION



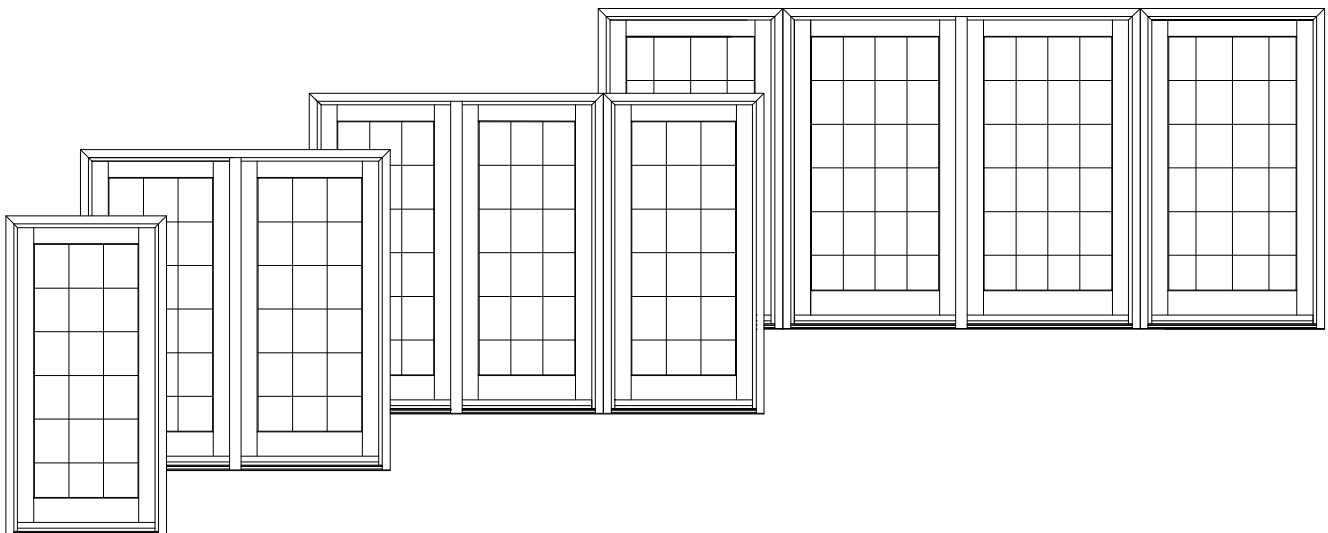
**DIMENSIONAL DOORS**

Siteline Wood Inswing Patio Doors may be specified as "dimensional", by adjusting the desired rough opening width or height in 1/8" increments from standard.

Siteline Wood Inswing Patio Doors are available in single, twin, triple and quad panel doors. The standard size range includes sizes specifically designed for replacement of older patio door models in existing structures, as well as a full range of "true size" products for architectural consistency. Please consult our Quick Quote software for detailed product options and availability.

**OPERATION**

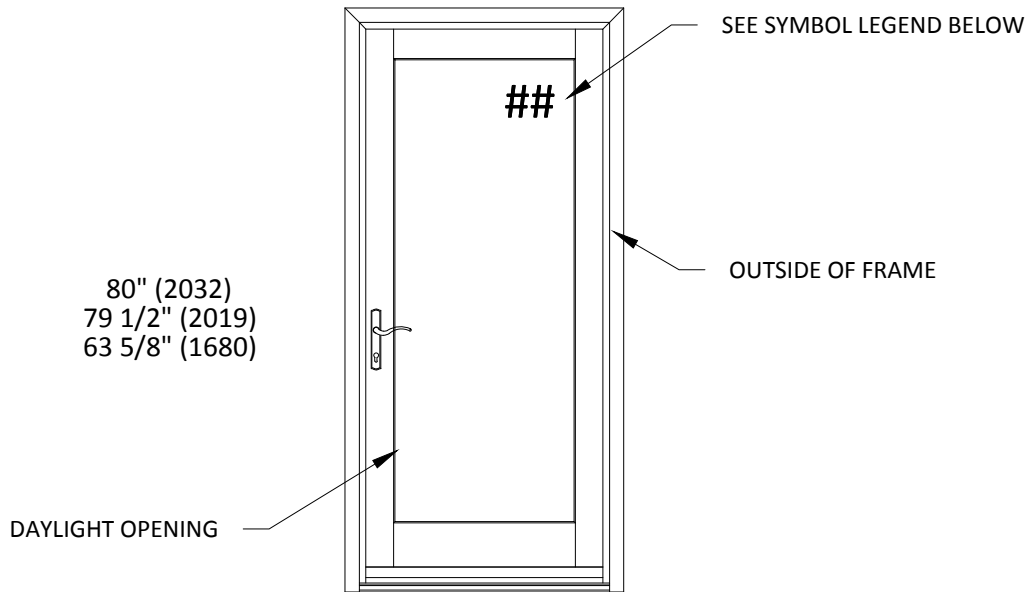
Siteline Inswing Patio Doors are available in a full range of operating styles. Single panel doors may be specified as stationary (non-venting) or can operate left or right. Center swing two-or three-panel doors are available with left or right operation.



ELEVATION NOTES

ELEVATION DRAWINGS UTILIZE A LIMITED NUMBER OF PROJECTED LINES TO PRODUCE A RUDIMENTARY DRAWING INTENDED TO BE USED IN A SMALL GRAPHICAL SCALE. ELEVATIONS ARE VIEWED PERPENDICULAR FROM THE EXTERIOR OF THE STRUCTURE. IF MORE DIMENSIONS ARE NEEDED, USE THE SECTION DRAWINGS FOR MORE COMPLETE DEPICTIONS.

Rough Opening 36 3/8" (924)  
Frame Size 35 5/8" (905)  
Daylight Opening 24 3/16" (614)



**PRWISW3068**

BOOK CODE

'PRWISW' INDICATES SITELINE WOOD  
INSWING WIDE STILE PATIO DOOR

THE LAST TWO NUMBERS INDICATE  
THE FRAME CALLOUT HEIGHT (FT. IN.)  
THE FIRST TWO OR THREE NUMBERS INDICATE  
THE FRAME CALLOUT WIDTH IN (FT. IN.)

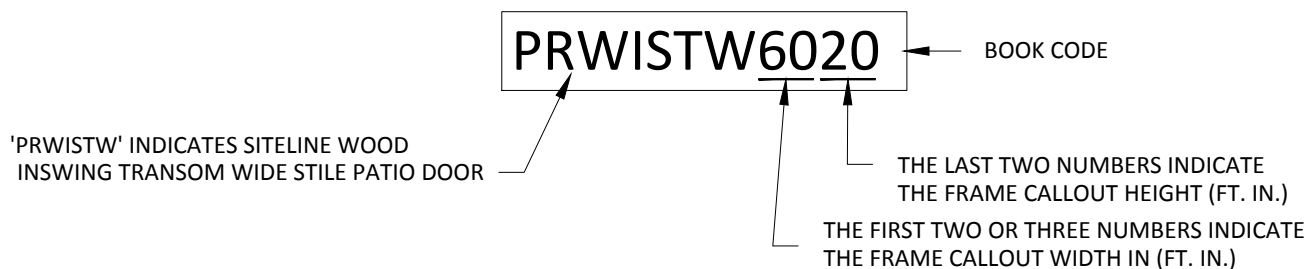
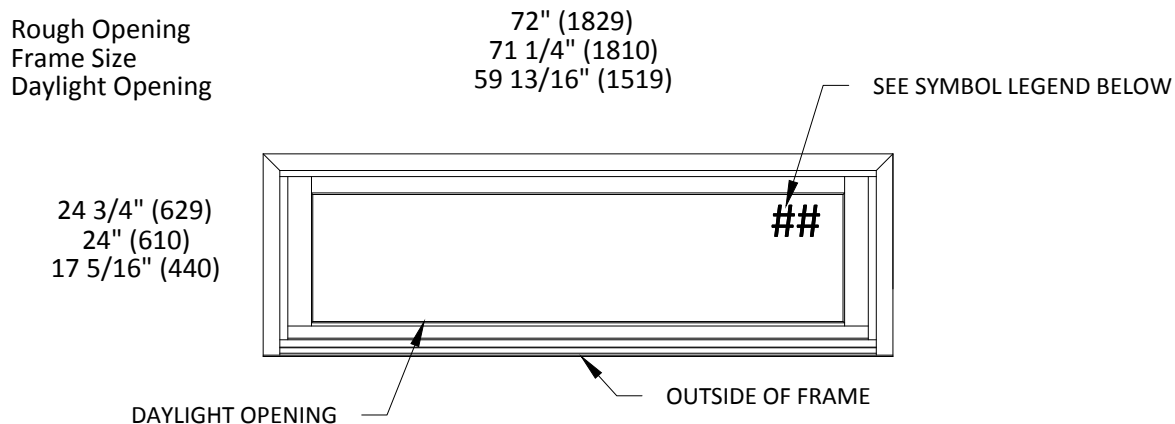
**GENERAL SWINGING DOOR NOTES**

1. SITELINE INSWING PATIO DOOR (PRCISW) UNITS ARE AVAILABLE AS OPERATING OR FIXED UNITS.
2. UNIT ELEVATIONS ARE SHOWN WITHOUT EXTERIOR TRIM. UNIT SIZES & MASONRY OPENING DIMENSIONS WILL CHANGE WITH THE ADDITION OF EXTERIOR TRIM. SEE THE 'UNIT SIZING, ROUGH OPENINGS & MASONRY OPENINGS' PAGE FOR EXTERIOR TRIM EFFECTS.
3. OPERATING UNITS ARE AVAILABLE AS LEFT OR RIGHT HAND OPERATION.
4. HANDICAP SILL, 10" BOTTOM RAILS, INTERMEDIATE LOCK RAILS AND RAISED PANELS ARE AVAILABLE FOR ALL UNITS.

**ELEVATION SYMBOL LEGEND**

**##** NUMBER INDICATES PERFORMANCE GRADE (PG) RATING WITH STANDARD GLAZING FOR ALL UNITS EXCLUDING ADA SILL UNITS. NUMBER INDICATES PERFORMANCE GRADE (PG) WITH LIMITED WATER RATING WITH STANDARD GLAZING FOR ADA SILL UNITS.

ELEVATION DRAWINGS UTILIZE A LIMITED NUMBER OF PROJECTED LINES TO PRODUCE A RUDIMENTARY DRAWING INTENDED TO BE USED IN A SMALL GRAPHICAL SCALE. ELEVATIONS ARE VIEWED PERPENDICULAR FROM THE EXTERIOR OF THE STRUCTURE. IF MORE DIMENSIONS ARE NEEDED, USE THE SECTION DRAWINGS FOR MORE COMPLETE DEPICTIONS.



**GENERAL SWINGING DOOR NOTES**

1. SITELINE INSWING PATIO DOOR TRANSOMS (PRWISTW) UNITS ARE AVAILABLE AS OPERATING OR FIXED UNITS.
2. UNIT ELEVATIONS ARE SHOWN WITHOUT EXTERIOR TRIM. UNIT SIZES & MASONRY OPENING DIMENSIONS WILL CHANGE WITH THE ADDITION OF EXTERIOR TRIM. SEE THE 'UNIT SIZING, ROUGH OPENINGS & MASONRY OPENINGS' PAGE FOR EXTERIOR TRIM EFFECTS.
3. OPERATING UNITS ARE AVAILABLE AS LEFT OR RIGHT HAND OPERATION.
4. HANDICAP SILL, 10" BOTTOM RAILS, INTERMEDIATE LOCK RAILS AND RAISED PANELS ARE AVAILABLE FOR ALL UNITS.

**ELEVATION SYMBOL LEGEND**

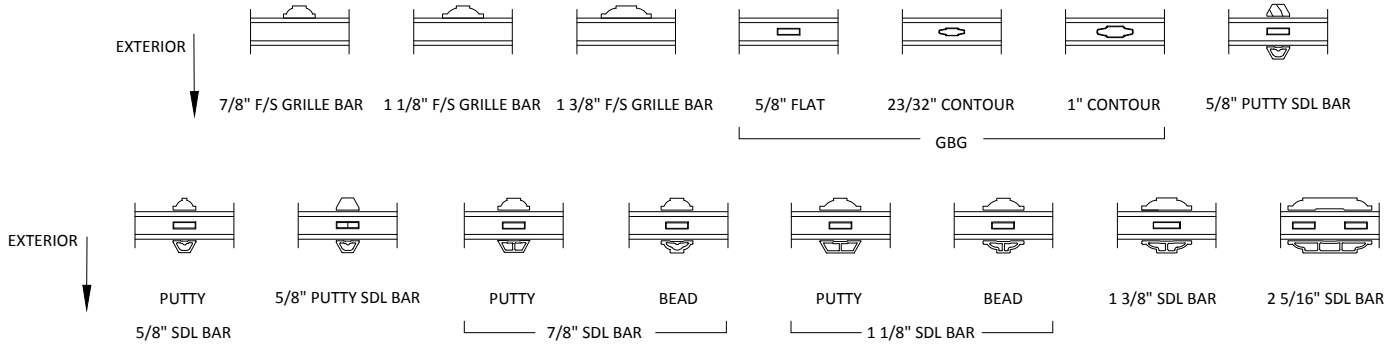
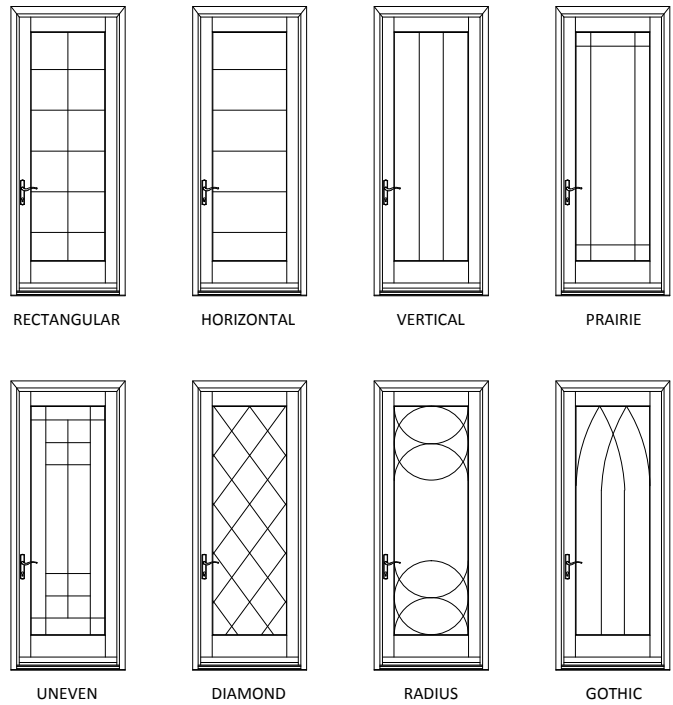
**##** NUMBER INDICATES PERFORMANCE GRADE (PG) RATING WITH STANDARD GLAZING FOR ALL UNITS.

LIGHT CUT INFORMATION

Siteline Wood Inswing Patio Doors are available with full surround removable grilles in 7/8", 1-1/8" and 1-3/8" widths, with grilles between the glass (GBG), or with Simulated Divided Lites. Standard lite cuts are rectangular, and conform to the layouts noted in the charts on the next page. To use the chart, refer to the appropriate table by the type of patio door and type of bars or grilles the section drawings illustrate. Then simply cross reference the frame height and width to determine the standard lite cut.

**LITE CUT OPTIONS**

Special lite cut patterns can include a wide variety of straight line and radius patterns. The illustrations shown here represent just a few of the possibilities. Rectangular, horizontal, vertical and prairie lite patterns are available in all standard size wood swinging patio doors. Uneven, diamond, radius and gothic lite cuts are available, subject to approval. Approvals are based on the ability to fulfill the design requirement while maintaining the construction integrity of the finished product.



PRWISW	Width Callout									
	1-2	1-4	1-6	2-0	2-6	2-8	3-0	3-2	3-6	3-8
6-8	1W 5H	1W 5H	1W 5H	2W 5H	2W 5H	3W 5H	3W	3W 5H	4W 5H	4W 5H
6-11	1W 5H	1W 5H	1W 5H	2W 5H	2W 5H	3W 5H	3W 5H	3W 5H	4W 5H	4W 5H
7-0T	1W 5H	1W 5H	1W 5H	2W 5H	2W 5H	3W 5H	3W 5H	3W 5H	4W 5H	4W 5H
8-0	1W 6H	1W 6H	1W 6H	2W 6H	2W 6H	3W 6H	3W 6H	3W 6H	4W 6H	4W 6H
8-0T	1W 6H	1W 6H	1W 6H	2W 6H	2W 6H	3W 6H	3W 6H	3W 6H	4W 6H	4W 6H
9-0	1W 6H	1W 6H	1W 6H	2W 6H	2W 6H	3W 6H	3W 6H	3W 6H	4W 6H	4W 6H
10-0	1W 6H	1W 6H	1W 6H	2W 6H	2W 6H	3W 6H	3W 6H	3W 6H	4W 6H	4W 6H

CLEAR OPENING DESIGN DATA TABLES  
1 & 2 PANEL

Single Panel									Two Panel [2]								
Unit Number Bookcode	Frame Width	Frame Height	Clear Opening Width	Clear Opening Height [1]	Vent Area Sq. Ft.	Daylight Opening Width	Daylight Opening Height	Daylight Opening Sq. Ft.	Unit Number Bookcode	Frame Width	Frame Height	Clear Opening Width [2]	Clear Opening Height [1]	Vent Area Sq. Ft.	Daylight Opening Width	Daylight Opening Height	Sq. Ft. Daylight Opening
PRWISW2068	23.63	79.50	19.09	76.91	10.20	12.19	63.59	5.38	PRWISW4068	47.25	79.50	40.63	76.91	21.70	24.38	63.59	10.76
PRWISW20611	23.63	82.50	19.09	79.91	10.60	12.19	66.59	5.64	PRWISW40611	47.25	82.50	40.63	79.91	22.54	24.38	66.59	11.27
PRWISW2070T	23.63	86.50	19.09	83.91	11.13	12.19	70.59	5.97	PRWISW4070T	47.25	86.50	40.63	83.91	23.67	24.38	70.59	11.95
PRWISW2080	23.63	95.50	19.09	92.91	12.32	12.19	79.59	6.74	PRWISW4080	47.25	95.50	40.63	92.91	26.21	24.38	79.59	13.47
PRWISW2080T	23.63	98.50	19.09	95.91	12.72	12.19	82.59	6.99	PRWISW4080T	47.25	98.50	40.63	95.91	27.06	24.38	82.59	13.98
PRWISW2090	23.63	107.50	19.09	104.91	13.91	12.19	91.59	7.75	PRWISW4090	47.25	107.50	40.63	104.91	29.60	24.38	91.59	15.50
PRWISW20100	23.63	119.50	19.09	116.91	15.50	12.19	103.59	8.77	PRWISW40100	47.25	119.50	40.63	116.91	32.98	24.38	103.59	17.54
PRWISW2668	29.63	79.50	25.09	76.91	13.40	18.19	63.59	8.03	PRWISW5068	59.25	79.50	52.63	76.91	28.11	36.38	63.59	16.06
PRWISW26611	29.63	82.50	25.09	79.91	13.92	18.19	66.59	8.41	PRWISW50611	59.25	82.50	52.63	79.91	29.20	36.38	66.59	16.82
PRWISW2670T	29.63	86.50	25.09	83.91	14.62	18.19	70.59	8.92	PRWISW5070T	59.25	86.50	52.63	83.91	30.66	36.38	70.59	17.83
PRWISW2680	29.63	95.50	25.09	92.91	16.19	18.19	79.59	10.05	PRWISW5080	59.25	95.50	52.63	92.91	33.95	36.38	79.59	20.11
PRWISW2680T	29.63	98.50	25.09	95.91	16.71	18.19	82.59	10.43	PRWISW5080T	59.25	98.50	52.63	95.91	35.05	36.38	82.59	20.86
PRWISW2690	29.63	107.50	25.09	104.91	18.28	18.19	91.59	11.57	PRWISW5090	59.25	107.50	52.63	104.91	38.34	36.38	91.59	23.14
PRWISW26100	29.63	119.50	25.09	116.91	20.37	18.19	103.59	13.08	PRWISW50100	59.25	119.50	52.63	116.91	42.72	36.38	103.59	26.17
PRWISW2868	31.63	79.50	27.09	76.91	14.47	20.19	63.59	8.92	PRWISW5468	63.25	79.50	56.63	76.91	30.24	40.38	63.59	17.83
PRWISW28611	31.63	82.50	27.09	79.91	15.03	20.19	66.59	9.34	PRWISW54611	63.25	82.50	56.63	79.91	31.42	40.38	66.59	18.67
PRWISW2870T	31.63	86.50	27.09	83.91	15.79	20.19	70.59	9.90	PRWISW5470T	63.25	86.50	56.63	83.91	32.99	40.38	70.59	19.79
PRWISW2880	31.63	95.50	27.09	92.91	17.48	20.19	79.59	11.16	PRWISW5480	63.25	95.50	56.63	92.91	36.53	40.38	79.59	22.32
PRWISW2880T	31.63	98.50	27.09	95.91	18.04	20.19	82.59	11.58	PRWISW5480T	63.25	98.50	56.63	95.91	37.71	40.38	82.59	23.16
PRWISW2890	31.63	107.50	27.09	104.91	19.74	20.19	91.59	12.84	PRWISW5490	63.25	107.50	56.63	104.91	41.25	40.38	91.59	25.68
PRWISW28100	31.63	119.50	27.09	116.91	22.00	20.19	103.59	14.52	PRWISW54100	63.25	119.50	56.63	116.91	45.97	40.38	103.59	29.05
PRWISW3068	35.63	79.50	31.09	76.91	16.61	24.19	63.59	10.68	PRWISW6068	71.25	79.50	64.63	76.91	34.51	48.38	63.59	21.36
PRWISW30611	35.63	82.50	31.09	79.91	17.25	24.19	66.59	11.19	PRWISW60611	71.25	82.50	64.63	79.91	35.86	48.38	66.59	22.37
PRWISW3070T	35.63	86.50	31.09	83.91	18.12	24.19	70.59	11.86	PRWISW6070T	71.25	86.50	64.63	83.91	37.66	48.38	70.59	23.72
PRWISW3080	35.63	95.50	31.09	92.91	20.06	24.19	79.59	13.37	PRWISW6080	71.25	95.50	64.63	92.91	41.69	48.38	79.59	26.74
PRWISW3080T	35.63	98.50	31.09	95.91	20.71	24.19	82.59	13.87	PRWISW6080T	71.25	98.50	64.63	95.91	43.04	48.38	82.59	27.75
PRWISW3090	35.63	107.50	31.09	104.91	22.65	24.19	91.59	15.38	PRWISW6090	71.25	107.50	64.63	104.91	47.08	48.38	91.59	30.77
PRWISW30100	35.63	119.50	31.09	116.91	25.24	24.19	103.59	17.40	PRWISW60100	71.25	119.50	64.63	116.91	52.47	48.38	103.59	34.80
PRWISW3268	37.63	79.50	33.09	76.91	17.67	26.19	63.59	11.57	PRWISW6468	75.25	79.50	68.63	76.91	36.65	52.38	63.59	23.13
PRWISW32611	37.63	82.50	33.09	79.91	18.36	26.19	66.59	12.11	PRWISW64611	75.25	82.50	68.63	79.91	38.08	52.38	66.59	24.22
PRWISW3270T	37.63	86.50	33.09	83.91	19.28	26.19	70.59	12.84	PRWISW6470T	75.25	86.50	68.63	83.91	39.99	52.38	70.59	25.68
PRWISW3280	37.63	95.50	33.09	92.91	21.35	26.19	79.59	14.47	PRWISW6480	75.25	95.50	68.63	92.91	44.28	52.38	79.59	28.95
PRWISW3280T	37.63	98.50	33.09	95.91	22.04	26.19	82.59	15.02	PRWISW6480T	75.25	98.50	68.63	95.91	45.71	52.38	82.59	30.04
PRWISW3290	37.63	107.50	33.09	104.91	24.11	26.19	91.59	16.66	PRWISW6490	75.25	107.50	68.63	104.91	49.99	52.38	91.59	33.31
PRWISW32100	37.63	119.50	33.09	116.91	26.87	26.19	103.59	18.84	PRWISW64100	75.25	119.50	68.63	116.91	55.71	52.38	103.59	37.68
PRWISW3668	41.63	79.50	37.09	76.91	19.81	30.19	63.59	13.33	PRWISW7068	83.25	79.50	76.63	76.91	40.92	60.38	63.59	26.66
PRWISW36611	41.63	82.50	37.09	79.91	20.58	30.19	66.59	13.96	PRWISW70611	83.25	82.50	76.63	79.91	42.52	60.38	66.59	27.92
PRWISW3670T	41.63	86.50	37.09	83.91	21.61	30.19	70.59	14.80	PRWISW7070T	83.25	86.50	76.63	83.91	44.65	60.38	70.59	29.60
PRWISW3680	41.63	95.50	37.09	92.91	23.93	30.19	79.59	16.69	PRWISW7080	83.25	95.50	76.63	92.91	49.44	60.38	79.59	33.37
PRWISW3680T	41.63	98.50	37.09	95.91	24.71	30.19	82.59	17.31	PRWISW7080T	83.25	98.50	76.63	95.91	51.03	60.38	82.59	34.63
PRWISW3690	41.63	107.50	37.09	104.91	27.02	30.19	91.59	19.20	PRWISW7090	83.25	107.50	76.63	104.91	55.82	60.38	91.59	38.40
PRWISW36100	41.63	119.50	37.09	116.91	30.11	30.19	103.59	21.72	PRWISW70100	83.25	119.50	76.63	116.91	62.21	60.38	103.59	43.43
PRWISW3868	43.63	79.50	39.09	76.91	20.88	32.19	63.59	14.21	PRWISW7468	87.25	79.50	80.63	76.91	43.06	64.38	63.59	28.43
PRWISW38611	43.63	82.50	39.09	79.91	21.69	32.19	66.59	14.89	PRWISW74611	87.25	82.50	80.63	79.91	44.74	64.38	66.59	29.77
PRWISW3870T	43.63	86.50	39.09	83.91	22.78	32.19	70.59	15.78	PRWISW7470T	87.25	86.50	80.63	83.91	46.98	64.38	70.59	31.56
PRWISW3880	43.63	95.50	39.09	92.91	25.22	32.19	79.59	17.79	PRWISW7480	87.25	95.50	80.63	92.91	52.02	64.38	79.59	35.58
PRWISW3880T	43.63	98.50	39.09	95.91	26.04	32.19	82.59	18.46	PRWISW7480T	87.25	98.50	80.63	95.91	53.70	64.38	82.59	36.92
PRWISW3890	43.63	107.50	39.09	104.91	28.48	32.19	91.59	20.47	PRWISW7490	87.25	107.50	80.63	95.91	53.70	64.38	82.59	36.92
PRWISW38100	43.63	119.50	39.09	116.91	31.74	32.19	103.59	23.16	PRWISW74100	87.25	119.50	80.63	95.91	53.70	64.38	82.59	36.92

**CLEAR OPENING DESIGN DATA TABLES  
3 & 4 PANEL**

Three Panel [3]									Four Panel [4]								
Unit Number Bookcode	Frame Width	Frame Height	Clear Opening Width [3]	Clear Opening Height [1]	Vent Area Sq. Ft.	Daylight Opening Width	Daylight Opening Height	Sq. Ft. Daylight Opening	Unit Number Bookcode	Frame Width	Frame Height	Clear Opening Width [4]	Clear Opening Height [1]	Vent Area Sq. Ft.	Daylight Opening Width	Daylight Opening Height	Sq. Ft. Daylight Opening
PRWISW6068-3	70.88	79.50	40.63	76.91	21.70	36.56	63.59	16.15	PRWISW8068-4	94.50	79.50	40.63	76.91	21.70	48.75	63.59	21.53
PRWISW60611-3	70.88	82.50	40.63	79.91	22.54	36.56	66.59	16.91	PRWISW80611-4	94.50	82.50	40.63	79.91	22.54	48.75	66.59	22.54
PRWISW6070T-3	70.88	86.50	40.63	83.91	23.67	36.56	70.59	17.92	PRWISW8070T-4	94.50	86.50	40.63	83.91	23.67	48.75	70.59	23.90
PRWISW6080-3	70.88	95.50	40.63	92.91	26.21	36.56	79.59	20.21	PRWISW8080-4	94.50	95.50	40.63	92.91	26.21	48.75	79.59	26.95
PRWISW6080T-3	70.88	98.50	40.63	95.91	27.06	36.56	82.59	20.97	PRWISW8080T-4	94.50	98.50	40.63	95.91	27.06	48.75	82.59	27.96
PRWISW6090-3	70.88	107.50	40.63	104.91	29.60	36.56	91.59	23.26	PRWISW8090-4	94.50	107.50	40.63	104.91	29.60	48.75	91.59	31.01
PRWISW60100-3	70.88	119.50	40.63	116.91	32.98	36.56	103.59	26.30	PRWISW80100-4	94.50	119.50	40.63	116.91	32.98	48.75	103.59	35.07
PRWISW7668-3	88.88	79.50	52.63	76.91	28.11	54.56	63.59	24.10	PRWISW10068-4	118.50	79.50	52.63	76.91	28.11	72.75	63.59	32.13
PRWISW76611-3	88.88	82.50	52.63	79.91	29.20	54.56	66.59	25.23	PRWISW100611-4	118.50	82.50	52.63	79.91	29.20	72.75	66.59	33.64
PRWISW7670T-3	88.88	86.50	52.63	83.91	30.66	54.56	70.59	26.75	PRWISW10070T-4	118.50	86.50	52.63	83.91	30.66	72.75	70.59	35.66
PRWISW7680-3	88.88	95.50	52.63	92.91	33.95	54.56	79.59	30.16	PRWISW10080-4	118.50	95.50	52.63	92.91	33.95	72.75	79.59	40.21
PRWISW7680T-3	88.88	98.50	52.63	95.91	35.05	54.56	82.59	31.30	PRWISW10080T-4	118.50	98.50	52.63	95.91	35.05	72.75	82.59	41.73
PRWISW7690-3	88.88	107.50	52.63	104.91	38.34	54.56	91.59	34.71	PRWISW10090-4	118.50	107.50	52.63	104.91	38.34	72.75	91.59	46.27
PRWISW76100-3	88.88	119.50	52.63	116.91	42.72	54.56	103.59	39.25	PRWISW10100-4	118.50	119.50	52.63	116.91	42.72	72.75	103.59	52.34
PRWISW8068-3	94.88	79.50	56.63	76.91	30.24	60.56	63.59	26.75	PRWISW10068-4	126.50	79.50	56.63	76.91	30.24	80.75	63.59	35.66
PRWISW80611-3	94.88	82.50	56.63	79.91	31.42	60.56	66.59	28.01	PRWISW100611-4	126.50	82.50	56.63	79.91	31.42	80.75	66.59	37.34
PRWISW8070T-3	94.88	86.50	56.63	83.91	32.99	60.56	70.59	29.69	PRWISW10070T-4	126.50	86.50	56.63	83.91	32.99	80.75	70.59	39.59
PRWISW8080-3	94.88	95.50	56.63	92.91	36.53	60.56	79.59	33.47	PRWISW10080-4	126.50	95.50	56.63	92.91	36.53	80.75	79.59	44.63
PRWISW8080T-3	94.88	98.50	56.63	95.91	37.71	60.56	82.59	34.74	PRWISW10080T-4	126.50	98.50	56.63	95.91	37.71	80.75	82.59	46.32
PRWISW8090-3	94.88	107.50	56.63	104.91	41.25	60.56	91.59	38.52	PRWISW10090-4	126.50	107.50	56.63	104.91	41.25	80.75	91.59	51.36
PRWISW80100-3	94.88	119.50	56.63	116.91	45.97	60.56	103.59	43.57	PRWISW10100-4	126.50	119.50	56.63	116.91	45.97	80.75	103.59	58.09
PRWISW9068-3	106.88	79.50	64.63	76.91	34.51	72.56	63.59	32.05	PRWISW12068-4	142.50	79.50	64.63	76.91	34.51	96.75	63.59	42.73
PRWISW90611-3	106.88	82.50	64.63	79.91	35.86	72.56	66.59	33.56	PRWISW120611-4	142.50	82.50	64.63	79.91	35.86	96.75	66.59	44.74
PRWISW9070T-3	106.88	86.50	64.63	83.91	37.66	72.56	70.59	35.57	PRWISW12070T-4	142.50	86.50	64.63	83.91	37.66	96.75	70.59	47.43
PRWISW9080-3	106.88	95.50	64.63	92.91	41.69	72.56	79.59	40.11	PRWISW12080-4	142.50	95.50	64.63	92.91	41.69	96.75	79.59	53.48
PRWISW9080T-3	106.88	98.50	64.63	95.91	43.04	72.56	82.59	41.62	PRWISW12080T-4	142.50	98.50	64.63	95.91	43.04	96.75	82.59	55.49
PRWISW9090-3	106.88	107.50	64.63	104.91	47.08	72.56	91.59	46.15	PRWISW12090-4	142.50	107.50	64.63	104.91	47.08	96.75	91.59	61.54
PRWISW90100-3	106.88	119.50	64.63	116.91	52.47	72.56	103.59	52.20	PRWISW12100-4	142.50	119.50	64.63	116.91	52.47	96.75	103.59	69.60
PRWISW9668-3	112.88	79.50	68.63	76.91	36.65	78.56	63.59	34.70	PRWISW12668-4	150.50	79.50	68.63	76.91	36.65	104.75	63.59	46.26
PRWISW96611-3	112.88	82.50	68.63	79.91	38.08	78.56	66.59	36.33	PRWISW126611-4	150.50	82.50	68.63	79.91	38.08	104.75	66.59	48.44
PRWISW9670T-3	112.88	86.50	68.63	83.91	39.99	78.56	70.59	38.51	PRWISW12670T-4	150.50	86.50	68.63	83.91	39.99	104.75	70.59	51.35
PRWISW9680-3	112.88	95.50	68.63	92.91	44.28	78.56	79.59	43.42	PRWISW12680-4	150.50	95.50	68.63	92.91	44.28	104.75	79.59	57.90
PRWISW9680T-3	112.88	98.50	68.63	95.91	45.71	78.56	82.59	45.06	PRWISW12680T-4	150.50	98.50	68.63	95.91	45.71	104.75	82.59	60.08
PRWISW9690-3	112.88	107.50	68.63	104.91	49.99	78.56	91.59	49.97	PRWISW12690-4	150.50	107.50	68.63	104.91	49.99	104.75	91.59	66.63
PRWISW96100-3	112.88	119.50	68.63	116.91	55.71	78.56	103.59	56.52	PRWISW126100-4	150.50	119.50	68.63	116.91	55.71	104.75	103.59	75.36
PRWISW10668-3	124.88	79.50	76.63	76.91	40.92	90.56	63.59	39.99	PRWISW14068-4	166.50	79.50	76.63	76.91	40.92	120.75	63.59	53.33
PRWISW106611-3	124.88	82.50	76.63	79.91	42.52	90.56	66.59	41.88	PRWISW140611-4	166.50	82.50	76.63	79.91	42.52	120.75	66.59	55.84
PRWISW10670T-3	124.88	86.50	76.63	83.91	44.65	90.56	70.59	44.40	PRWISW14070T-4	166.50	86.50	76.63	83.91	44.65	120.75	70.59	59.20
PRWISW10680-3	124.88	95.50	76.63	92.91	49.44	90.56	79.59	50.06	PRWISW14080-4	166.50	95.50	76.63	92.91	49.44	120.75	79.59	66.74
PRWISW10680T-3	124.88	98.50	76.63	95.91	51.03	90.56	82.59	51.94	PRWISW14080T-4	166.50	98.50	76.63	95.91	51.03	120.75	82.59	69.26
PRWISW10690-3	124.88	107.50	76.63	104.91	55.82	90.56	91.59	57.60	PRWISW14090-4	166.50	107.50	76.63	104.91	55.82	120.75	91.59	76.81
PRWISW106100-3	124.88	119.50	76.63	116.91	62.21	90.56	103.59	65.15	PRWISW14100-4	166.50	119.50	76.63	116.91	62.21	120.75	103.59	86.87
PRWISW11068-3	130.88	79.50	80.63	76.91	43.06	96.56	63.59	42.64	PRWISW14668-4	174.50	79.50	80.63	76.91	43.06	128.75	63.59	56.86
PRWISW110611-3	130.88	82.50	80.63	79.91	44.74	96.56	66.59	44.66	PRWISW146611-4	174.50	82.50	80.63	79.91	44.74	128.75	66.59	59.54
PRWISW11070T-3	130.88	86.50	80.63	83.91	46.98	96.56	70.59	47.34	PRWISW14670T-4	174.50	86.50	80.63	83.91	46.98	128.75	70.59	63.12
PRWISW11080-3	130.88	95.50	80.63	92.91	52.02	96.56	79.59	53.37	PRWISW14680-4	174.50	95.50	80.63	92.91	52.02	128.75	79.59	71.16
PRWISW11080T-3	130.88	98.50	80.63	95.91	53.70	96.56	82.59	55.39	PRWISW14680T-4	174.50	98.50	80.63	95.91	53.70	128.75	82.59	73.85
PRWISW11090-3	130.88	107.50	80.63	95.91	53.70	96.56	82.59	55.39	PRWISW14690-4	174.50	107.50	80.63	95.91	53.70	128.75	82.59	73.85
PRWISW110100-3	130.88	119.50	80.63	95.91	53.70	96.56	82.59	55.39	PRWISW146100-4	174.50	119.50	80.63	95.91	53.70	128.75	82.59	73.85

**Venting Sidelight**

Unit Number Bookcode	Frame Width	Frame Height	Clear Opening Width	Clear Opening Height	Vent Area Sq. Ft.	Daylight Opening Width	Daylight Opening Height	Sq. Ft. Daylight Opening
PRWISW1268	14.63	79.50	10.02	76.84	5.35	7.94	63.59	3.51
PRWISW12611	14.63	82.50	10.02	79.84	5.56	7.94	66.59	3.67
PRWISW1270T	14.63	86.50	10.02	83.84	5.84	7.94	70.59	3.89
PRWISW1280	14.63	95.50	10.02	92.84	6.46	7.94	79.59	4.39
PRWISW1468	16.63	79.50	12.02	76.84	6.42	9.94	63.59	4.39
PRWISW14611	16.63	82.50	12.02	79.84	6.67	9.94	66.59	4.60
PRWISW1470T	16.63	86.50	12.02	83.84	7.00	9.94	70.59	4.87
PRWISW1480	16.63	95.50	12.02	92.84	7.75	9.94	79.59	5.49
PRWISW1668	18.63	79.50	14.02	76.84	7.48	11.94	63.59	5.27
PRWISW16611	18.63	82.50	14.02	79.84	7.78	11.94	66.59	5.52
PRWISW1670T	18.63	86.50	14.02	83.84	8.16	11.94	70.59	5.85
PRWISW1680	18.63	95.50	14.02	92.84	9.04	11.94	79.59	6.60

Notes:

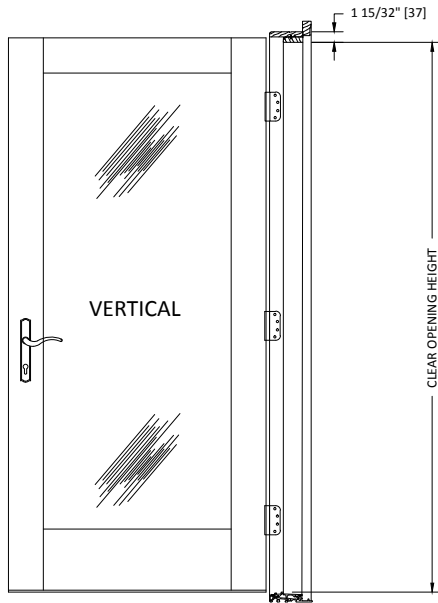
[1] Assumes PG35 Sill, subtract 5/8" for PG50 Sill

[2] Assumes a French Door configuration

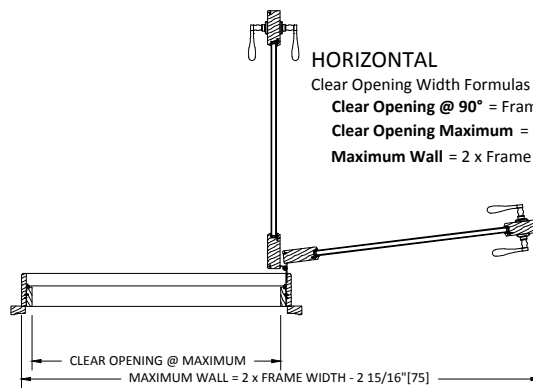
[3] Assumes a configuration with a French Door and a single flanking stationary panel

[4] Assumes a configuration with a French Door and two flanking stationary panels

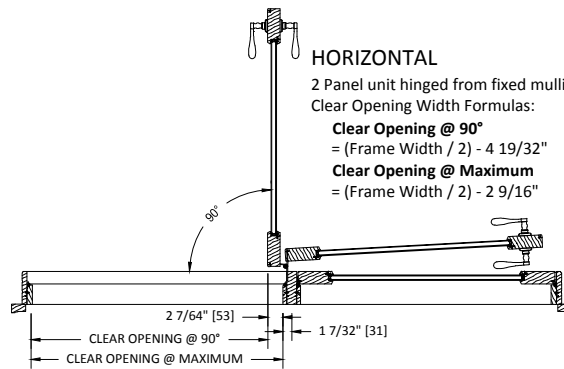
CLEAR OPENING LAYOUT



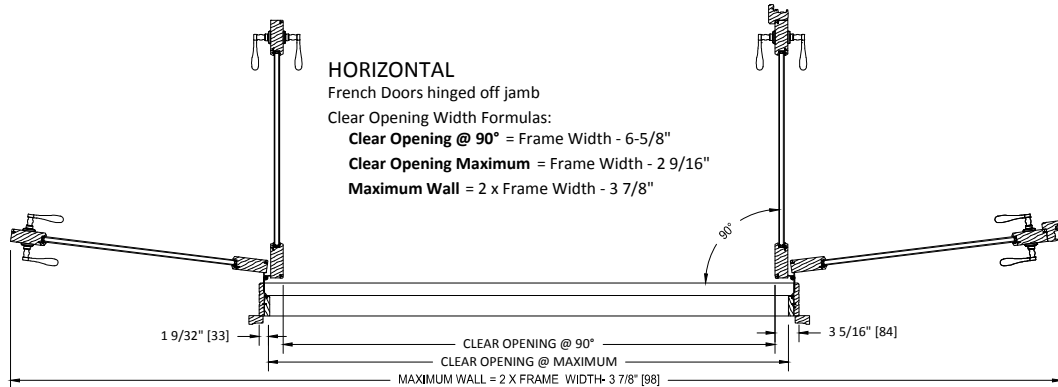
**VERTICAL**  
Clear Opening Height Formulas:  
With DP35 Sill  
**Clear Opening Height** = Frame Height - 2 21/32"



**HORIZONTAL**  
Clear Opening Width Formulas (1-Panel):  
**Clear Opening @ 90°** = Frame Width - 4 19/32"  
**Clear Opening Maximum** = Frame Width - 2 9/16"  
**Maximum Wall** = 2 x Frame Width - 2 15/16"

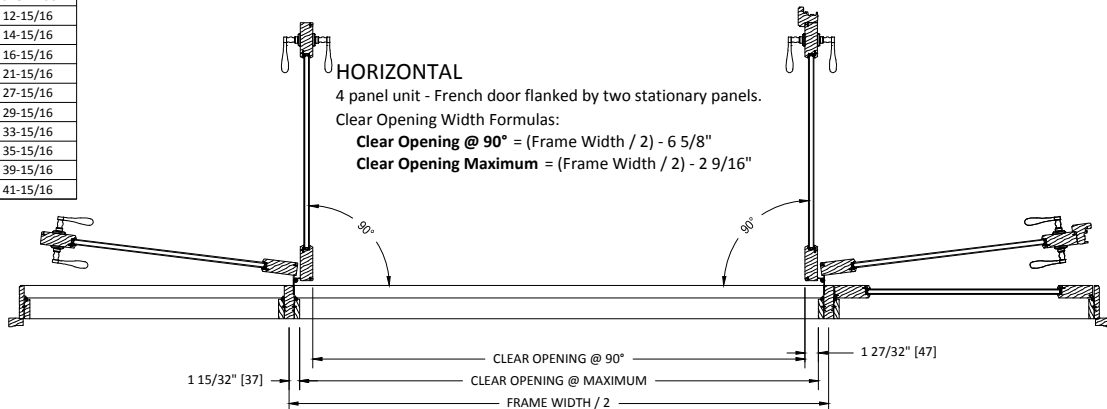


**HORIZONTAL**  
2 Panel unit hinged from fixed mullion.  
Clear Opening Width Formulas:  
**Clear Opening @ 90°**  
= (Frame Width / 2) - 4 19/32"  
**Clear Opening @ Maximum**  
= (Frame Width / 2) - 2 9/16"



**HORIZONTAL**  
French Doors hinged off jamb  
Clear Opening Width Formulas:  
**Clear Opening @ 90°** = Frame Width - 6 5/8"  
**Clear Opening Maximum** = Frame Width - 2 9/16"  
**Maximum Wall** = 2 x Frame Width - 3 7/8"

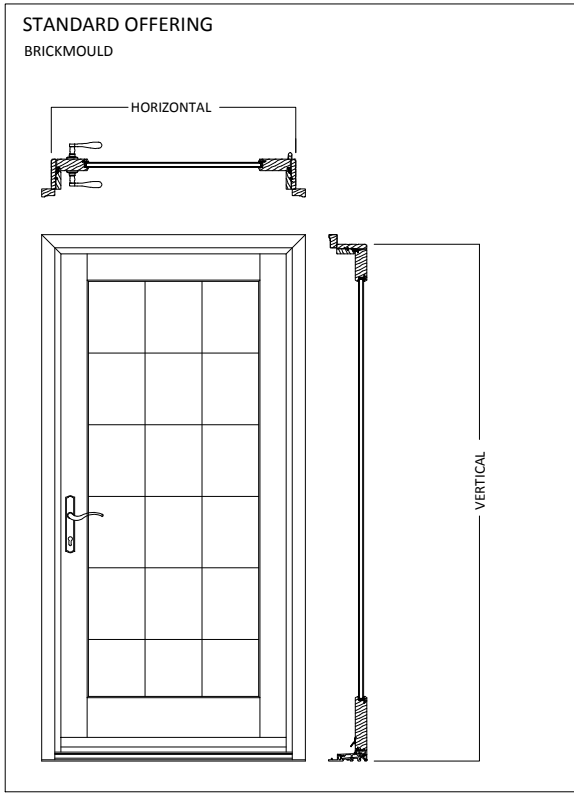
Panel Callout	Panel Width
1-2	12-15/16
1-4	14-15/16
1-6	16-15/16
2-0	21-15/16
2-6	27-15/16
2-8	29-15/16
3-0	33-15/16
3-2	35-15/16
3-6	39-15/16
3-8	41-15/16



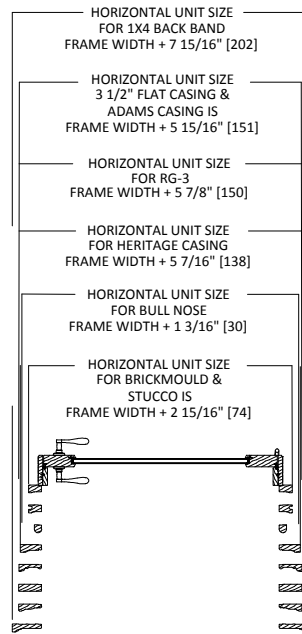
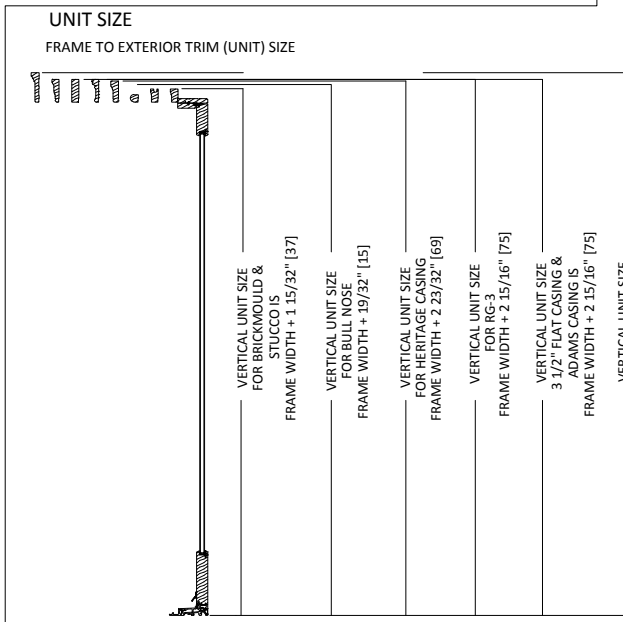
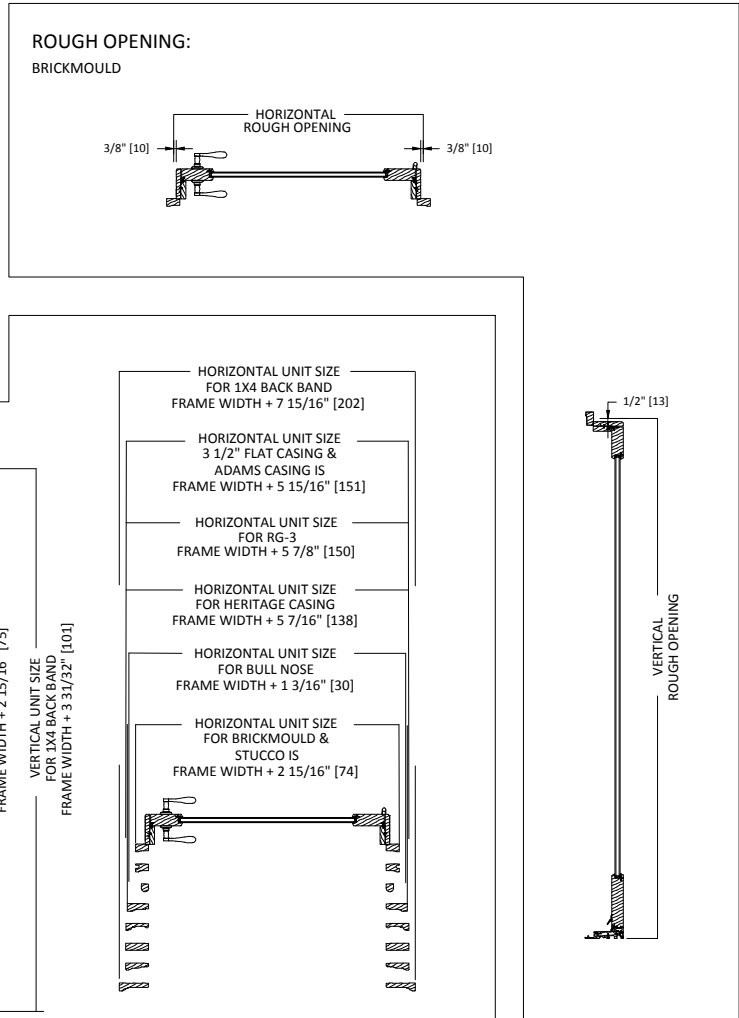
**HORIZONTAL**  
4 panel unit - French door flanked by two stationary panels.  
Clear Opening Width Formulas:  
**Clear Opening @ 90°** = (Frame Width / 2) - 6 5/8"  
**Clear Opening Maximum** = (Frame Width / 2) - 2 9/16"



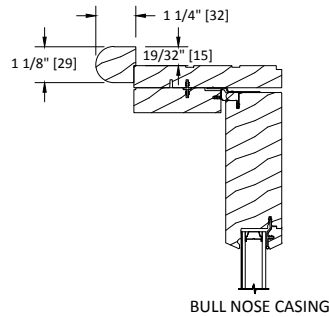
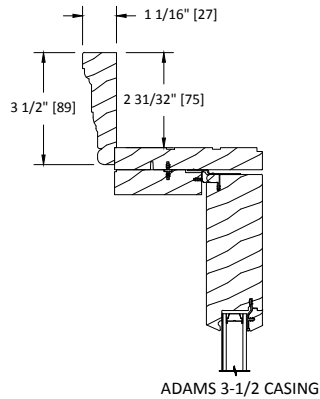
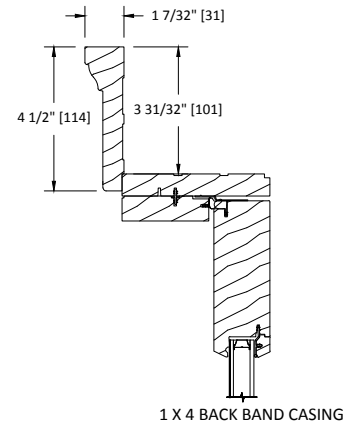
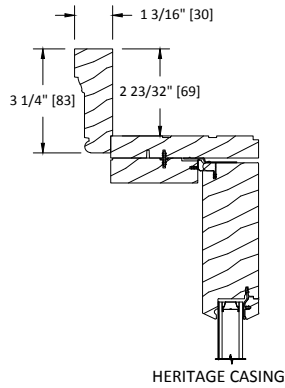
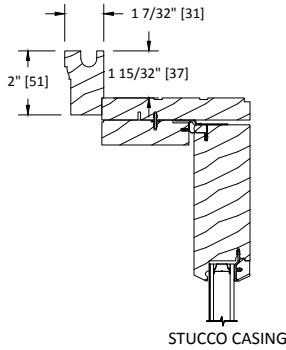
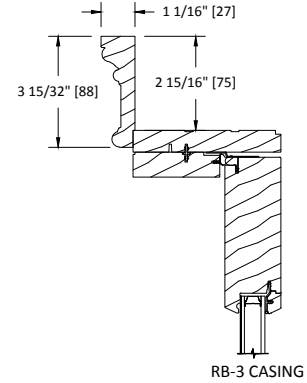
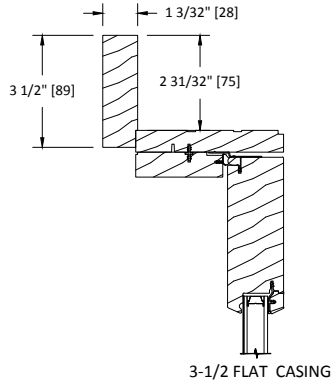
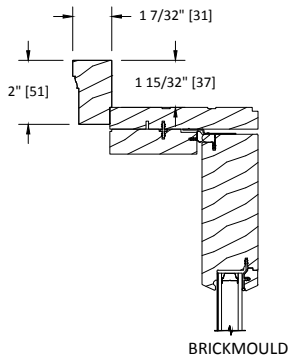
UNIT SIZING,  
ROUGH OPENINGS AND MASONRY OPENINGS



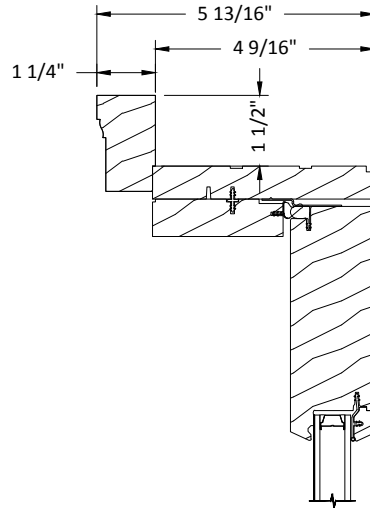
**GENERAL NOTES:**  
ROUGH OPENING HEIGHT IS ALWAYS  
FRAME SIZE + 1/2"  
ROUGH OPENING WIDTH IS ALWAYS  
FRAME SIZE + 3/4"  
**MASONRY OPENING:**  
MASONRY OPENING IS ALWAYS 1/2" OVER  
THE UNIT SIZE OF THE DOOR



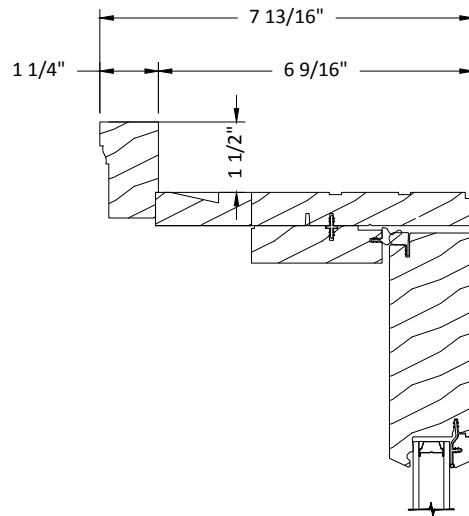
TRIM OPTIONS



FRAME OPTIONS

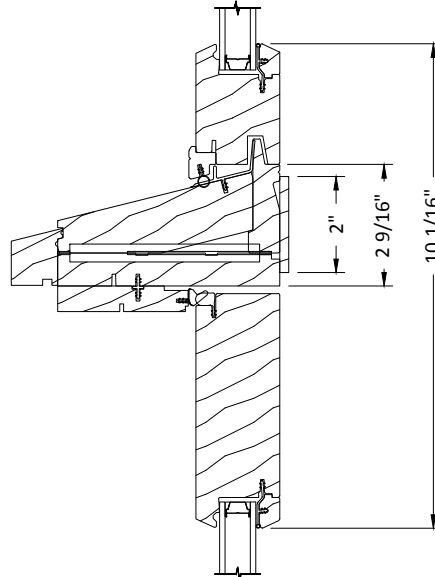


4 9/16" FRAME OPTION

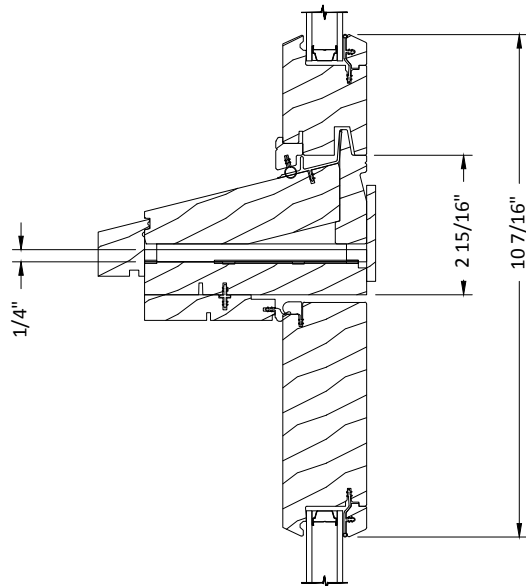


6 9/16" FRAME OPTION

MULLION OPTIONS

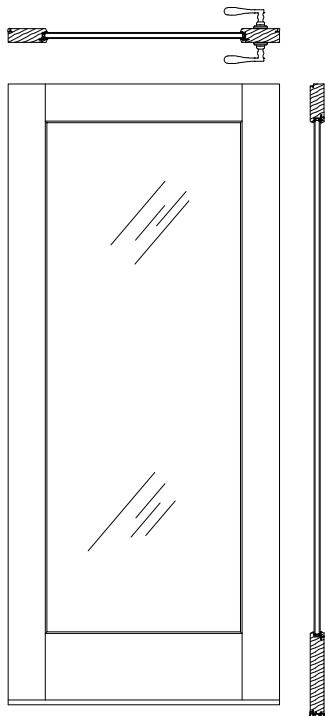


WOOD INSWING PATIO DOOR MULLION  
VERTICAL SECTION

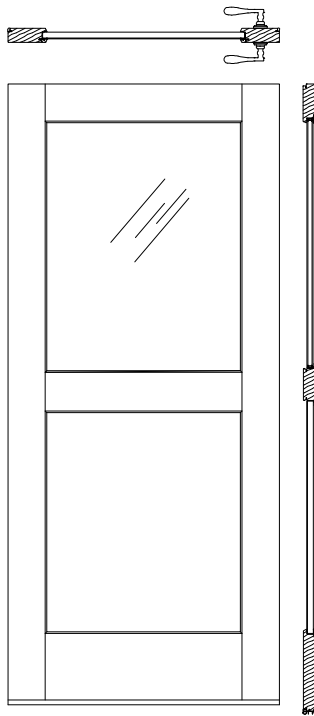


WOOD INSWING PATIO DOOR MULLION  
WITH 1/4" STIFFENER VERTICAL SECTION

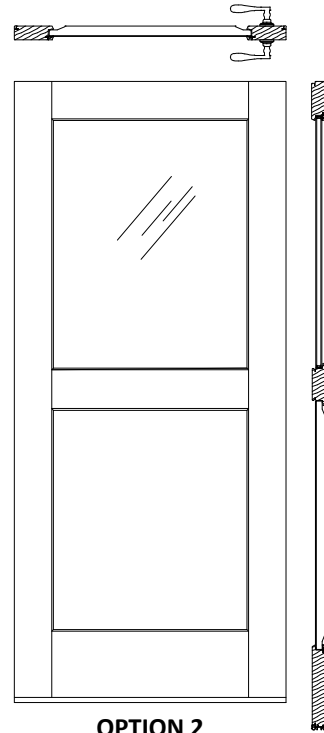
RAISED PANEL OPTIONS



**STANDARD GLAZED PANEL**

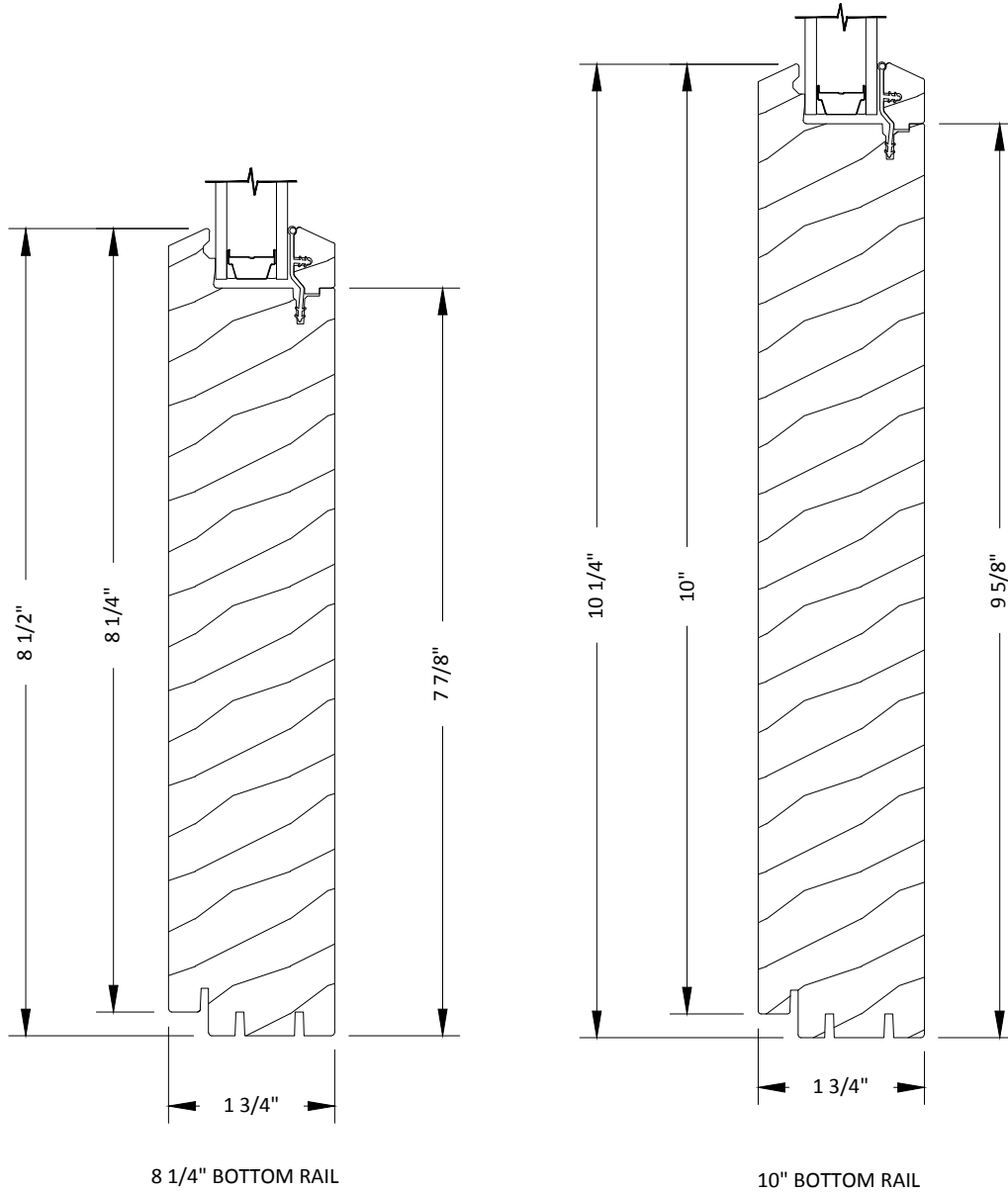


**OPTION 1**  
**INTERIOR FLAT PANEL -**  
**EXTERIOR FLAT PANEL**

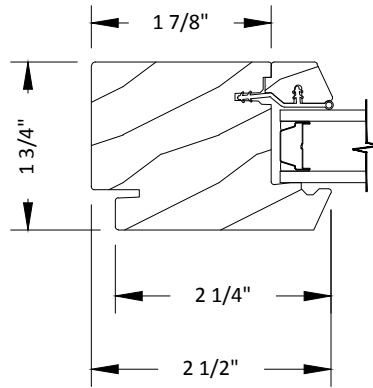


**OPTION 2**  
**INTERIOR RAISED PANEL -**  
**EXTERIOR FLAT PANEL**

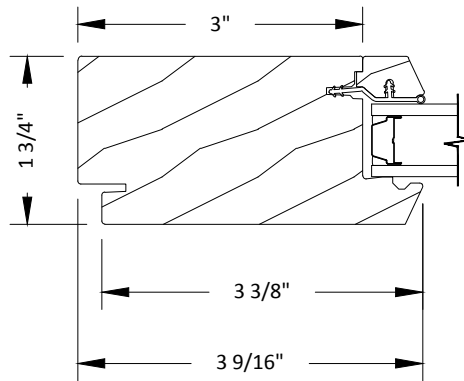
**BOTTOM RAIL OPTIONS**



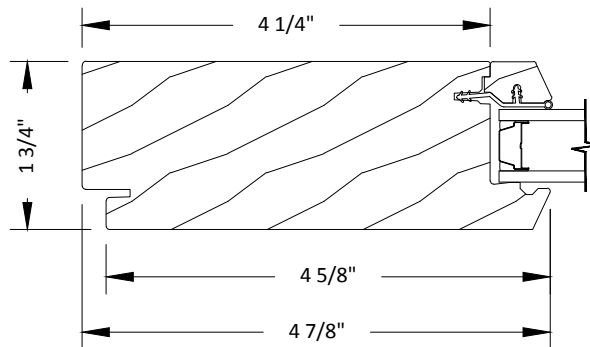
STILE OPTIONS



SIDELITE STILE

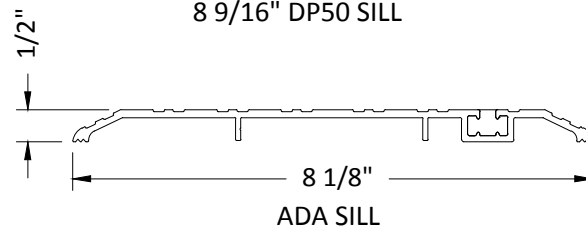
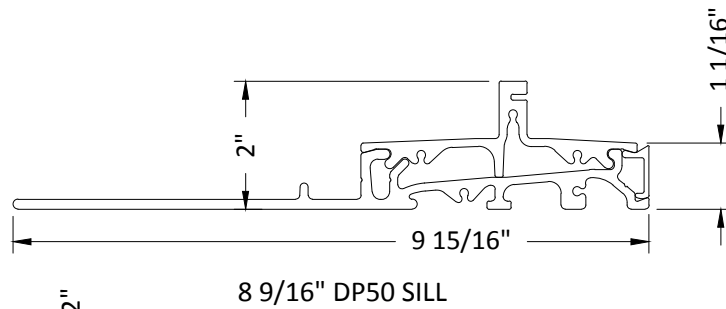
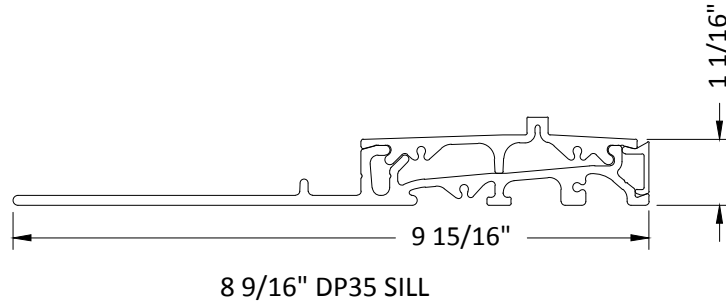
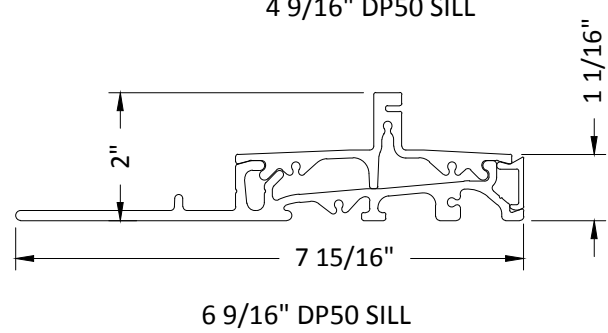
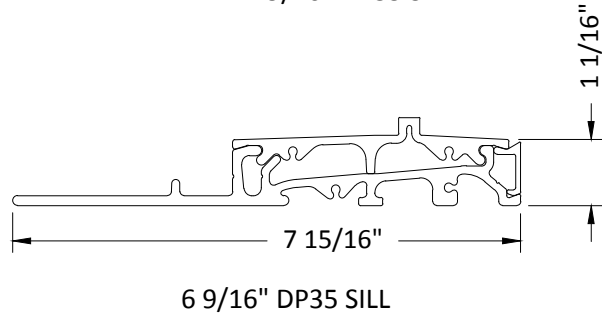
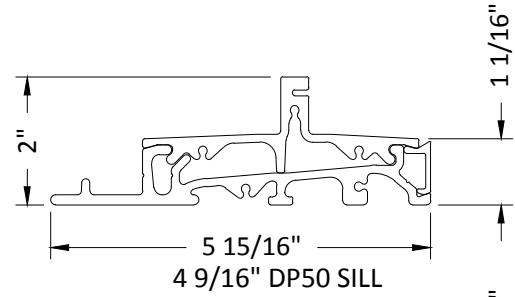
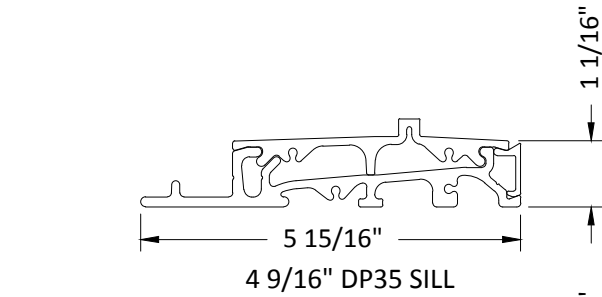


NARROW STILE



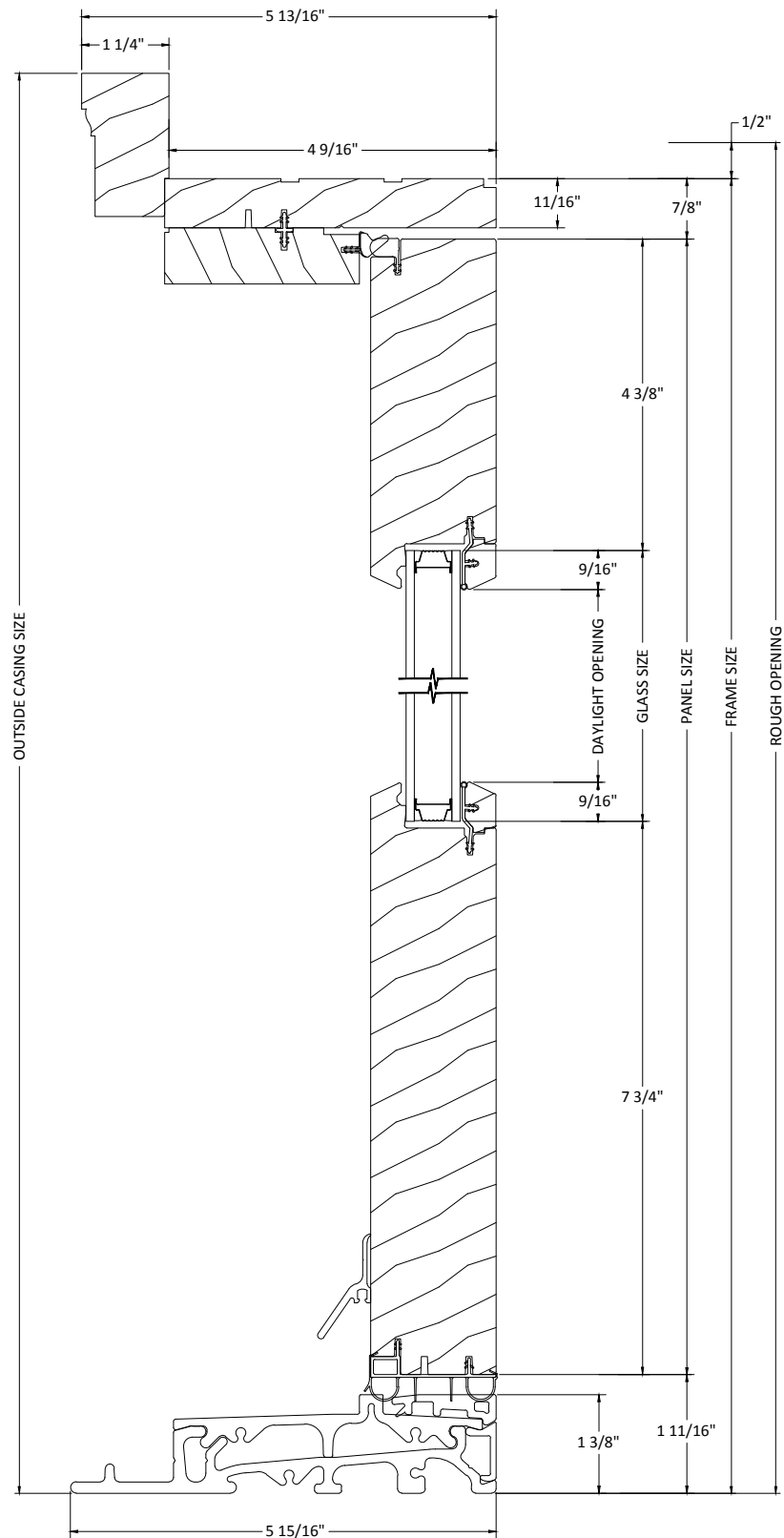
WIDE STILE

SILL OPTIONS

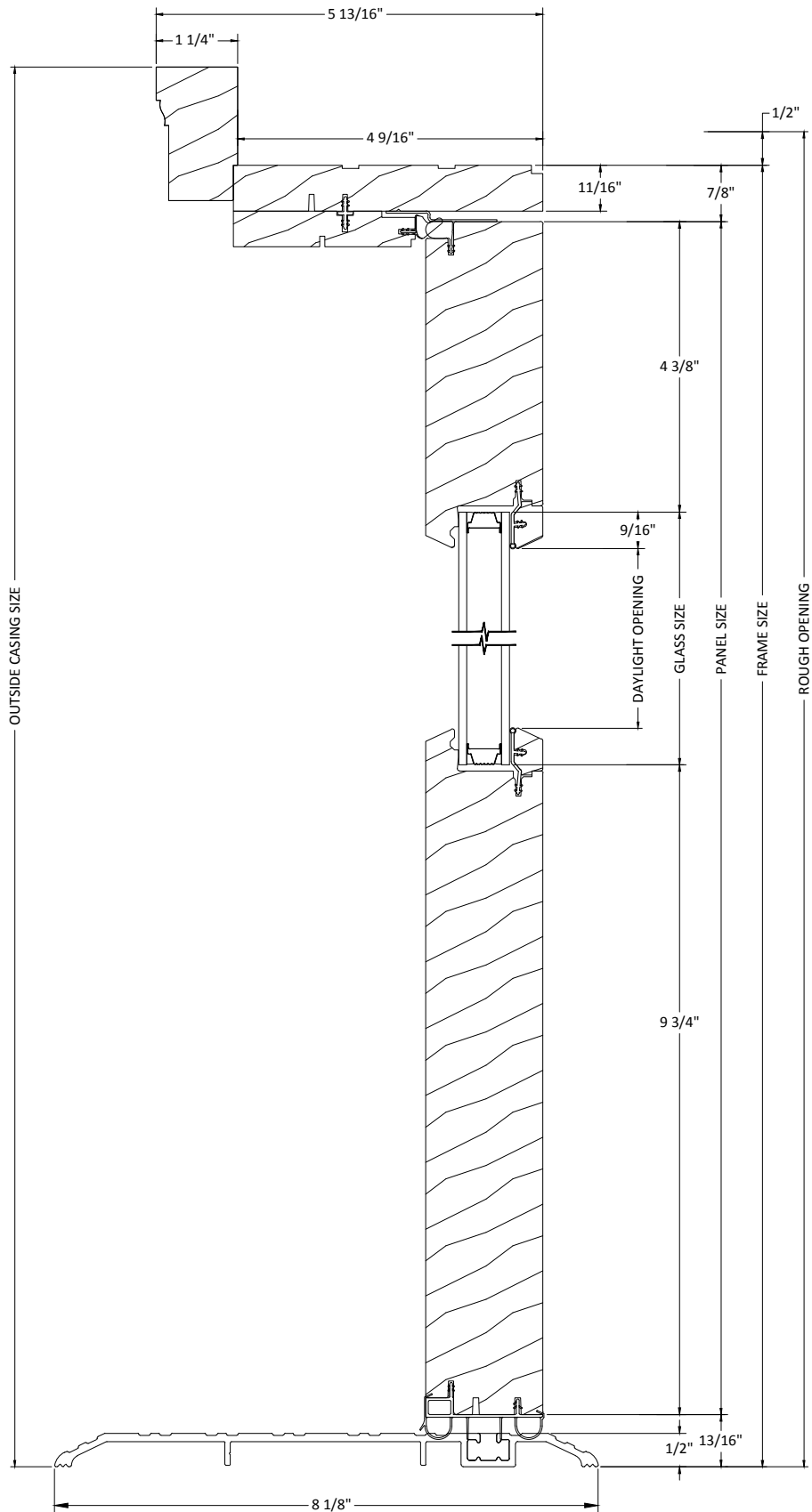




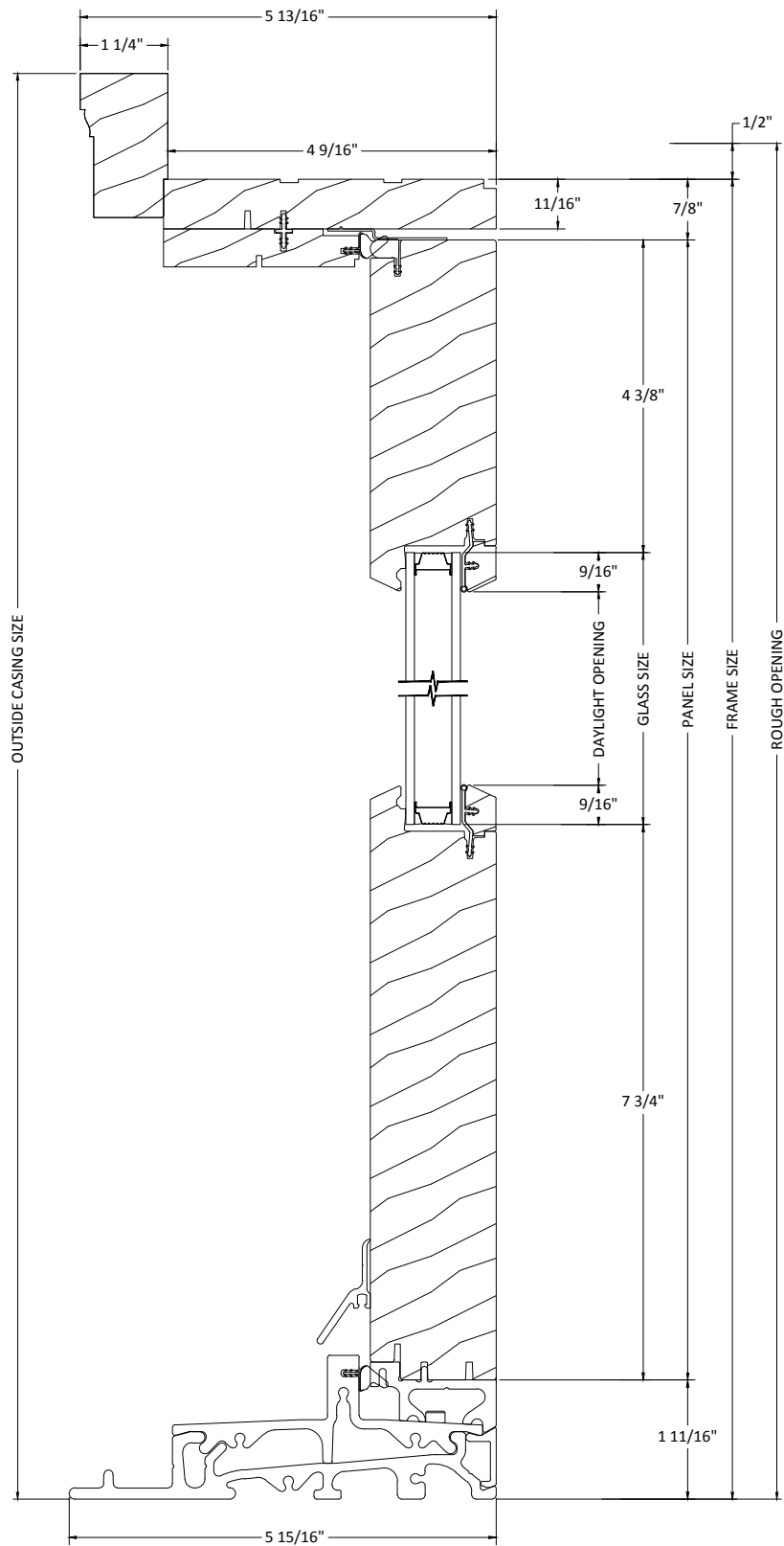
VERTICAL SECTION  
DP35 SILL



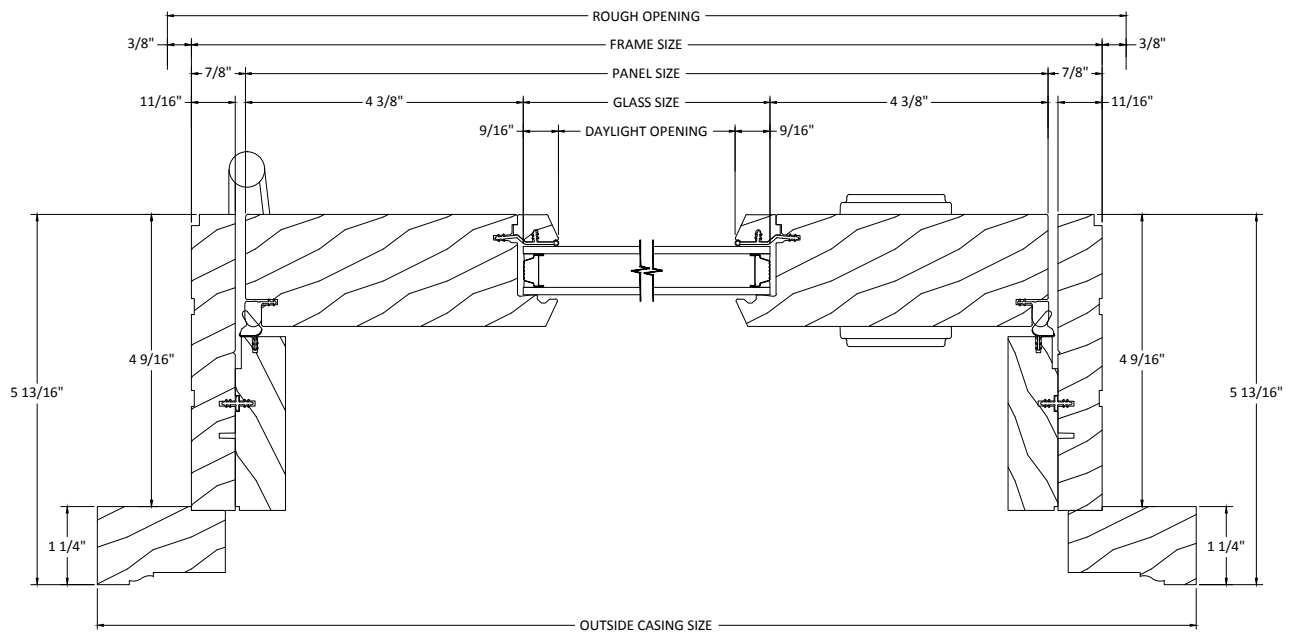
VERTICAL SECTION  
ADA SILL



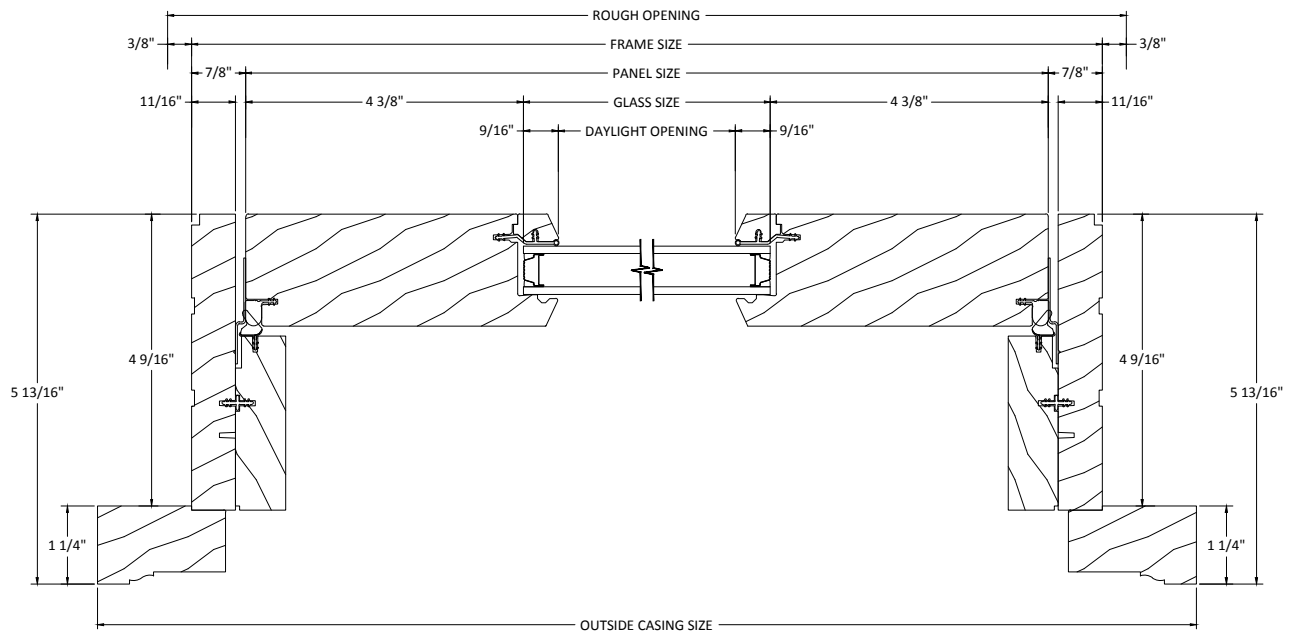
**VERTICAL SECTION**  
**DP35 STATIONARY**



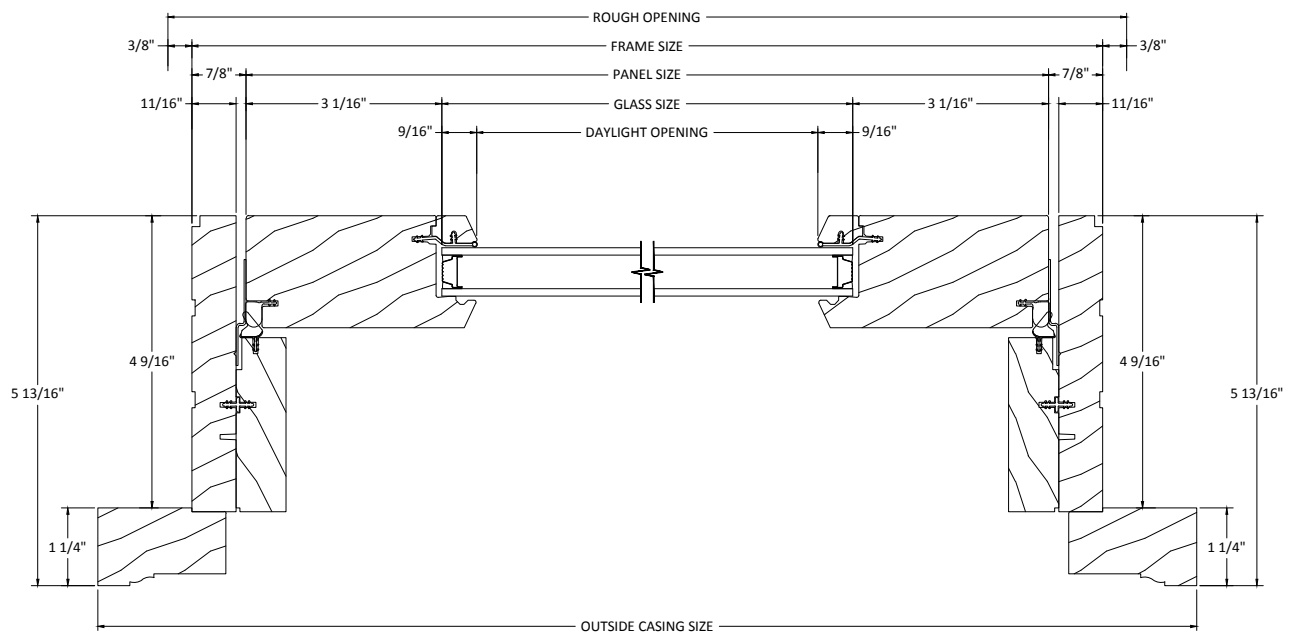
HORIZONTAL SECTION  
1 PANEL - WIDE STILE



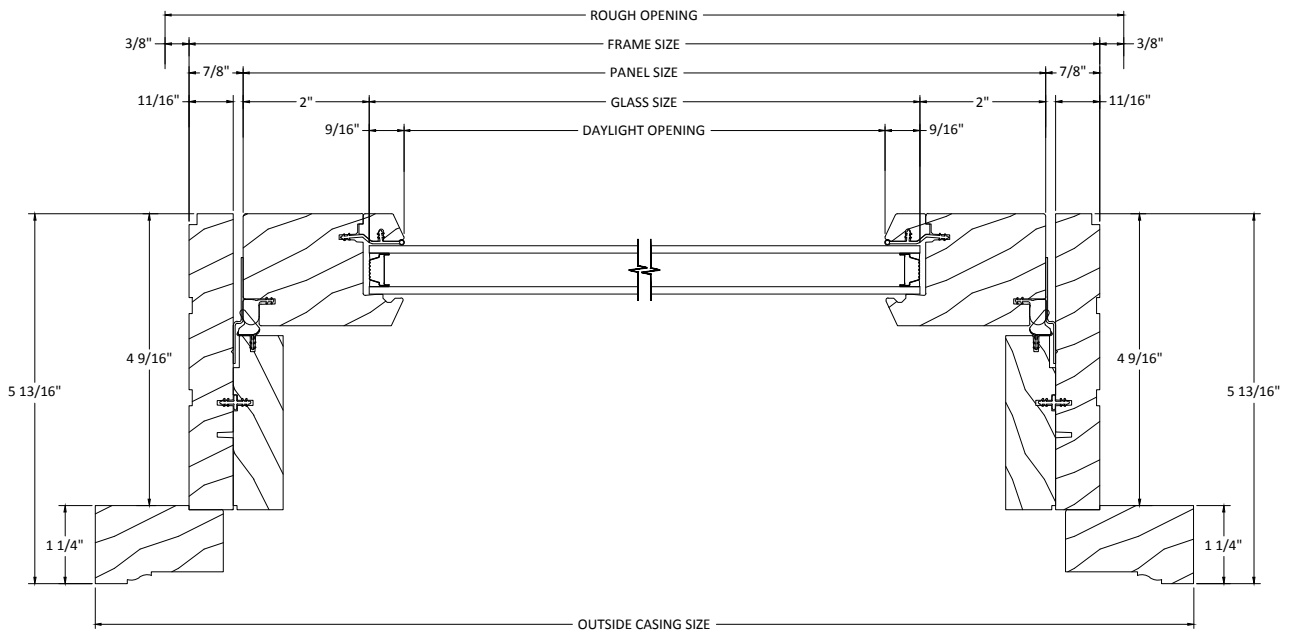
HORIZONTAL SECTION  
STATIONARY - WIDE STILE



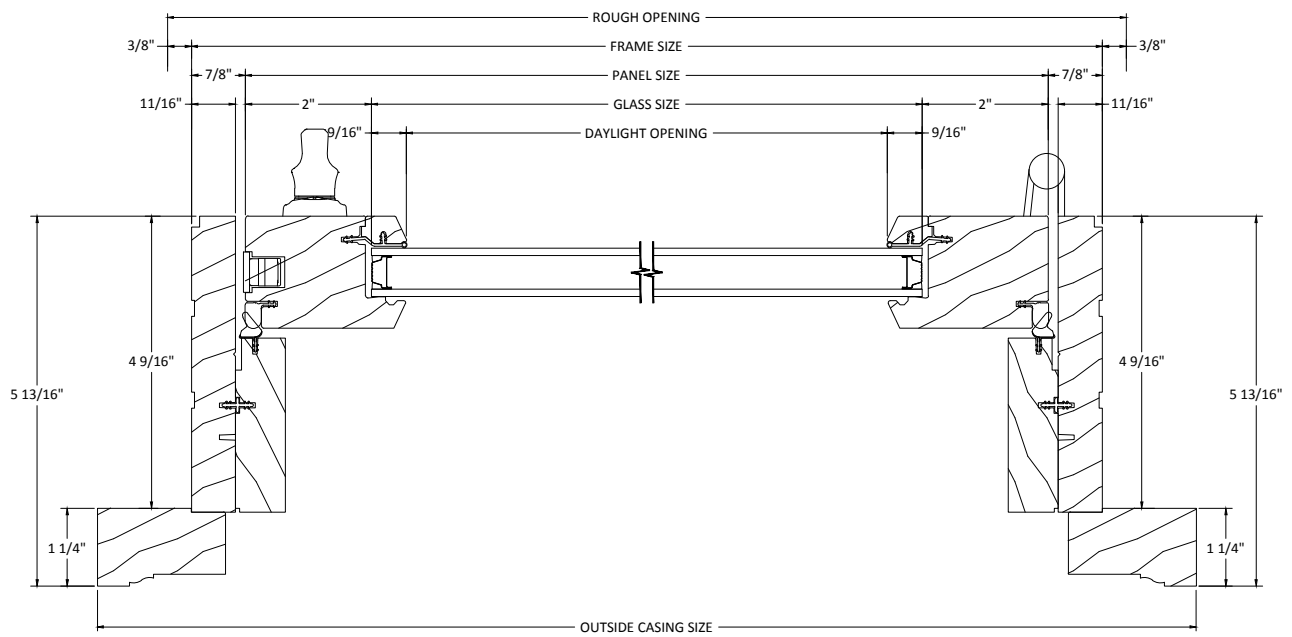
HORIZONTAL SECTION  
STATIONARY - NARROW STILE



HORIZONTAL SECTION  
STATIONARY - SIDELITE STILE

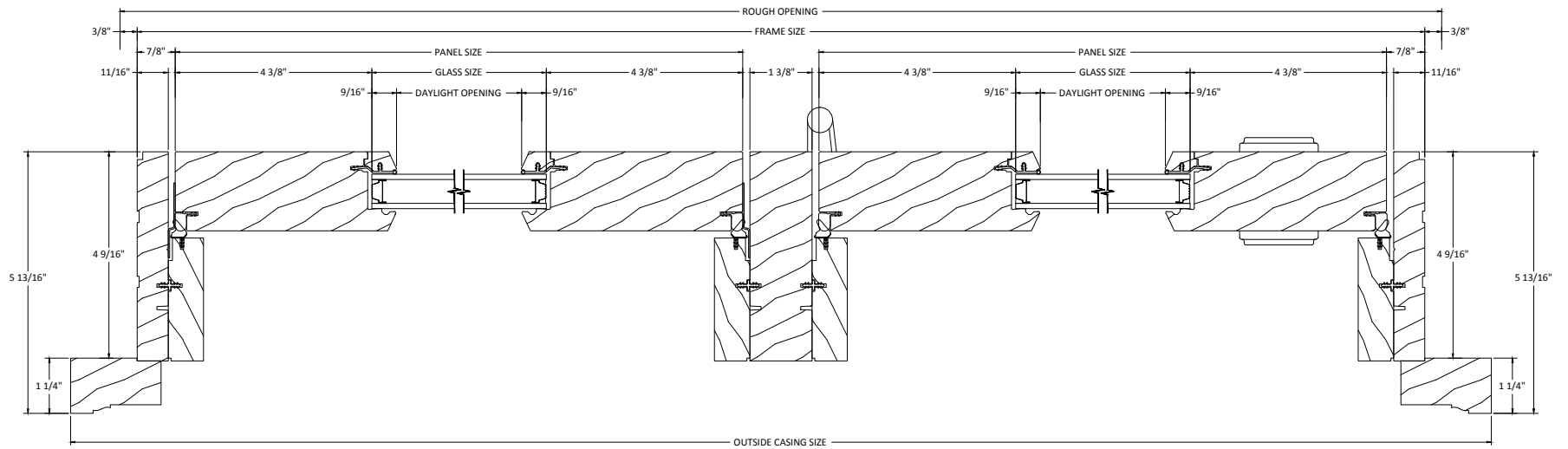


HORIZONTAL SECTION  
VENTING SIDELITE

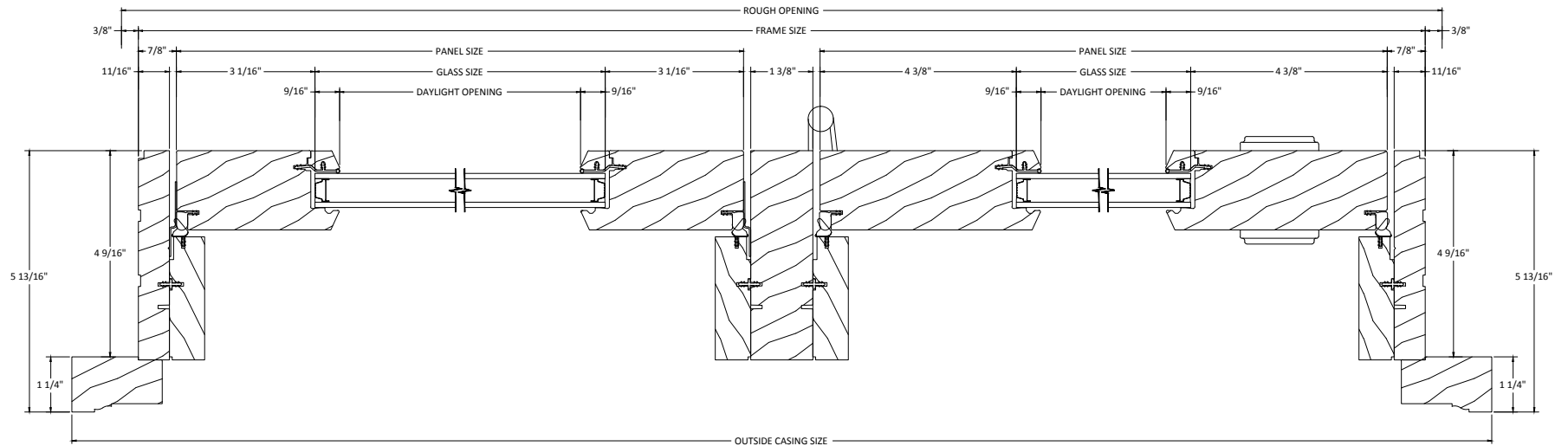




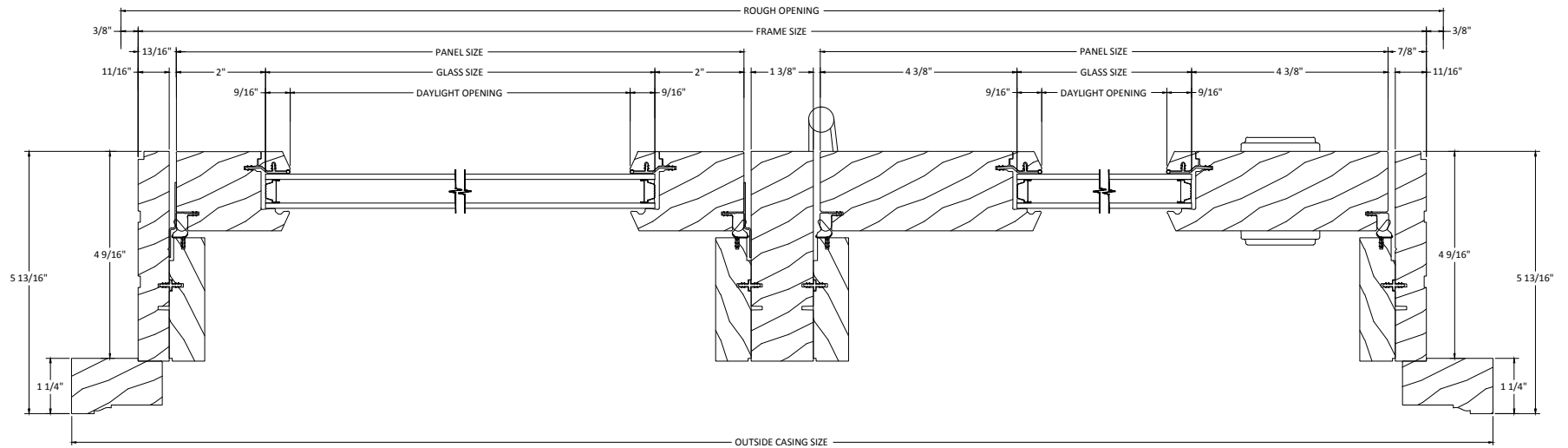
**HORIZONTAL SECTION**  
**CENTER HINGED WIDE STILE 2 PANEL**



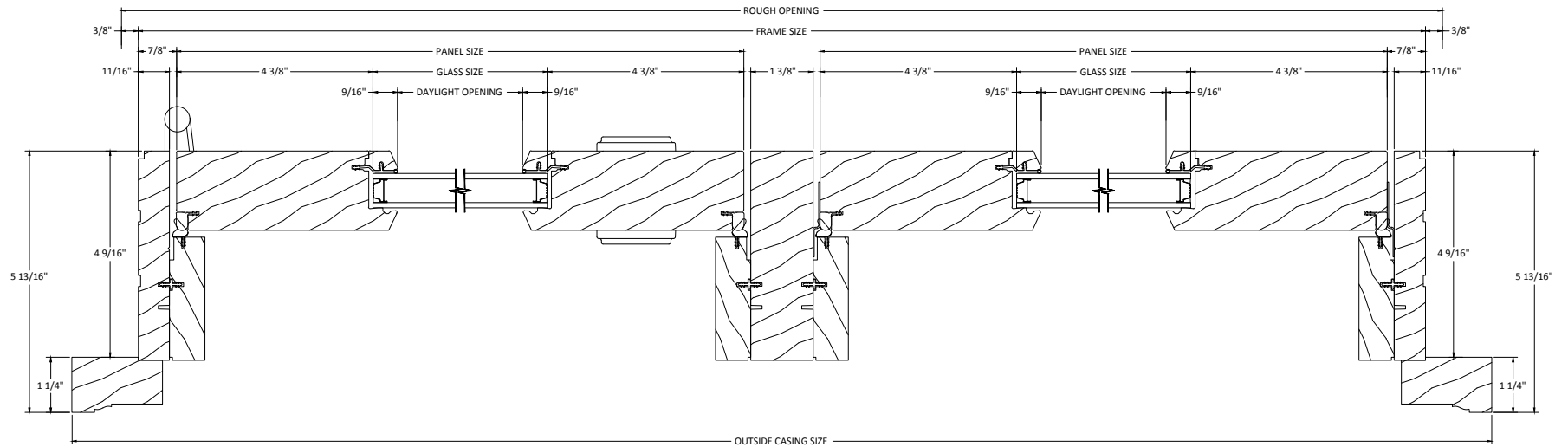
**HORIZONTAL SECTION**  
**CENTER HINGED NARROW/WIDE**  
**STILE 2 PANEL**



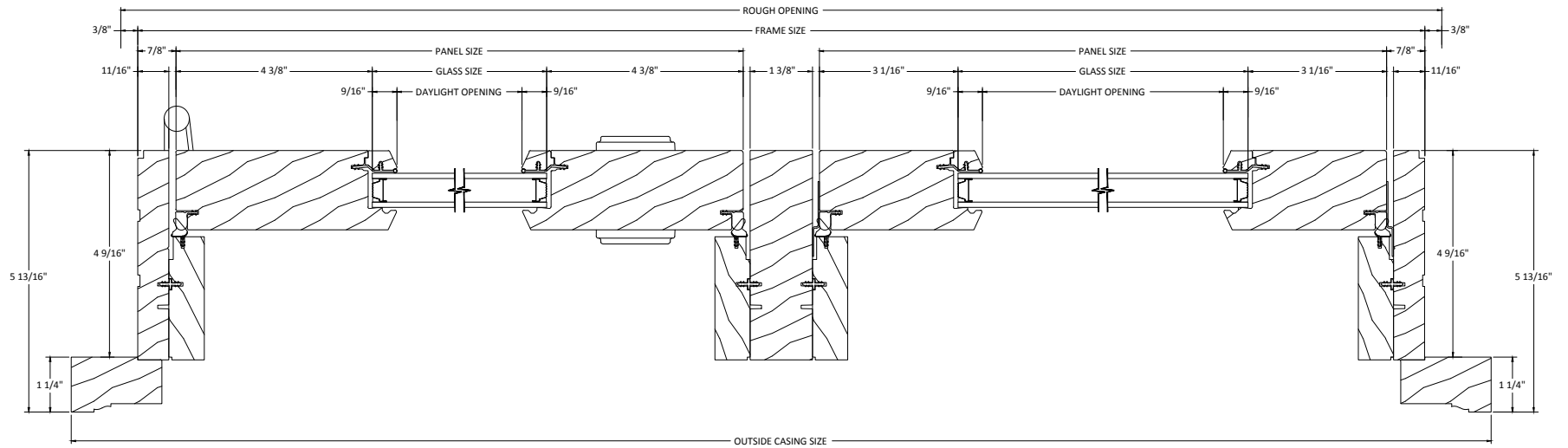
**HORIZONTAL SECTION**  
**CENTER HINGED SIDELITE/WIDE**  
**STILE 2 PANEL**



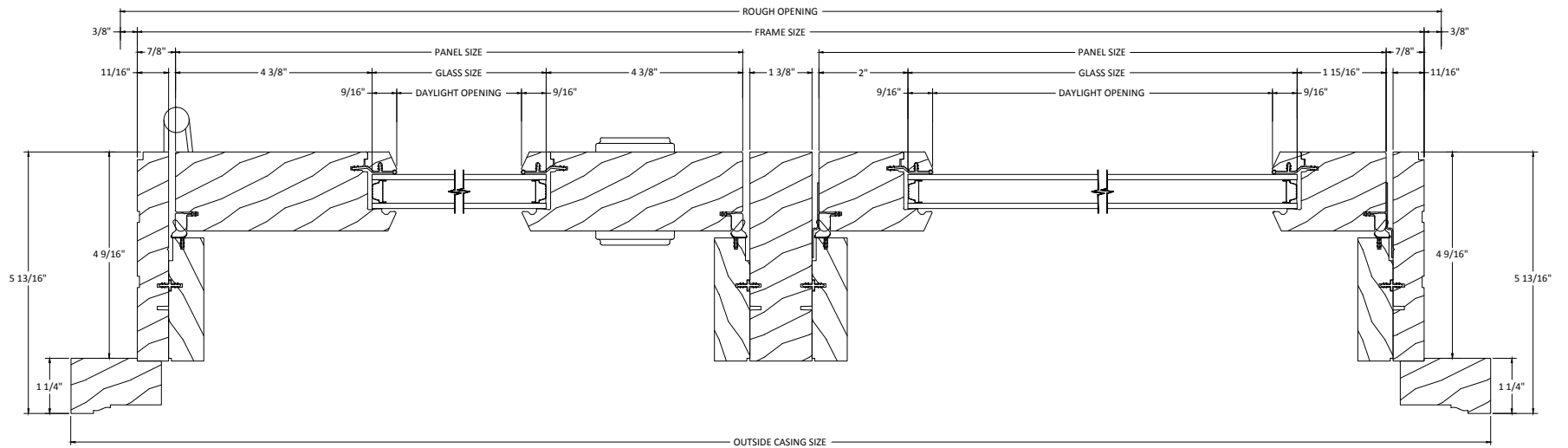
**HORIZONTAL SECTION**  
SIDE HINGED WIDE STILE 2 PANEL



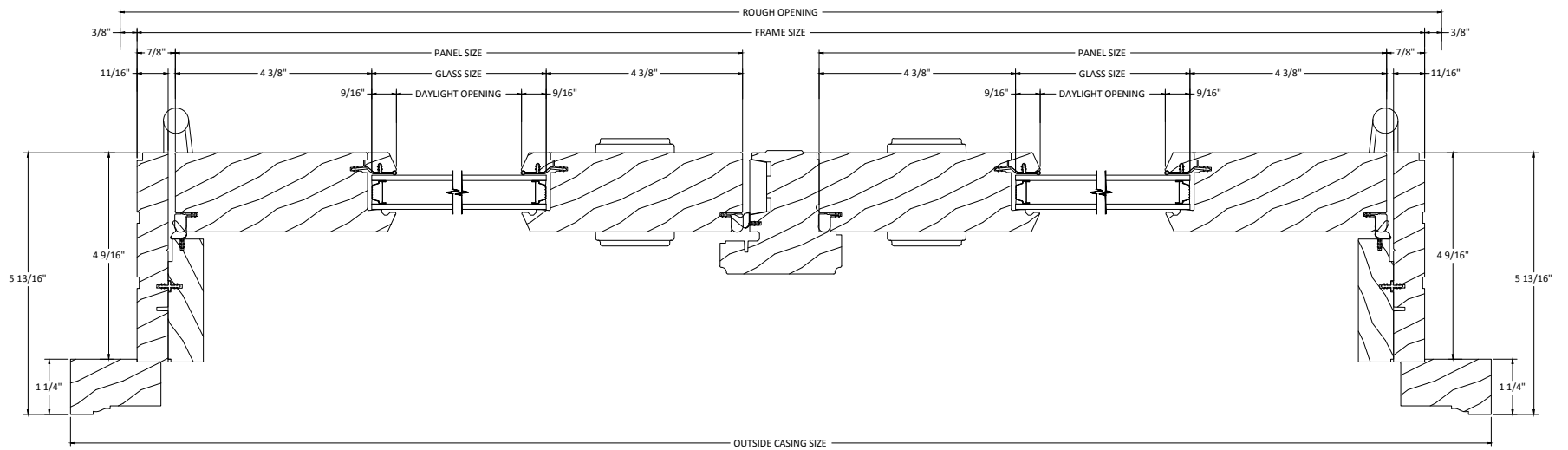
**HORIZONTAL SECTION**  
SIDE HINGED WIDE/NARROW  
STILE 2 PANEL



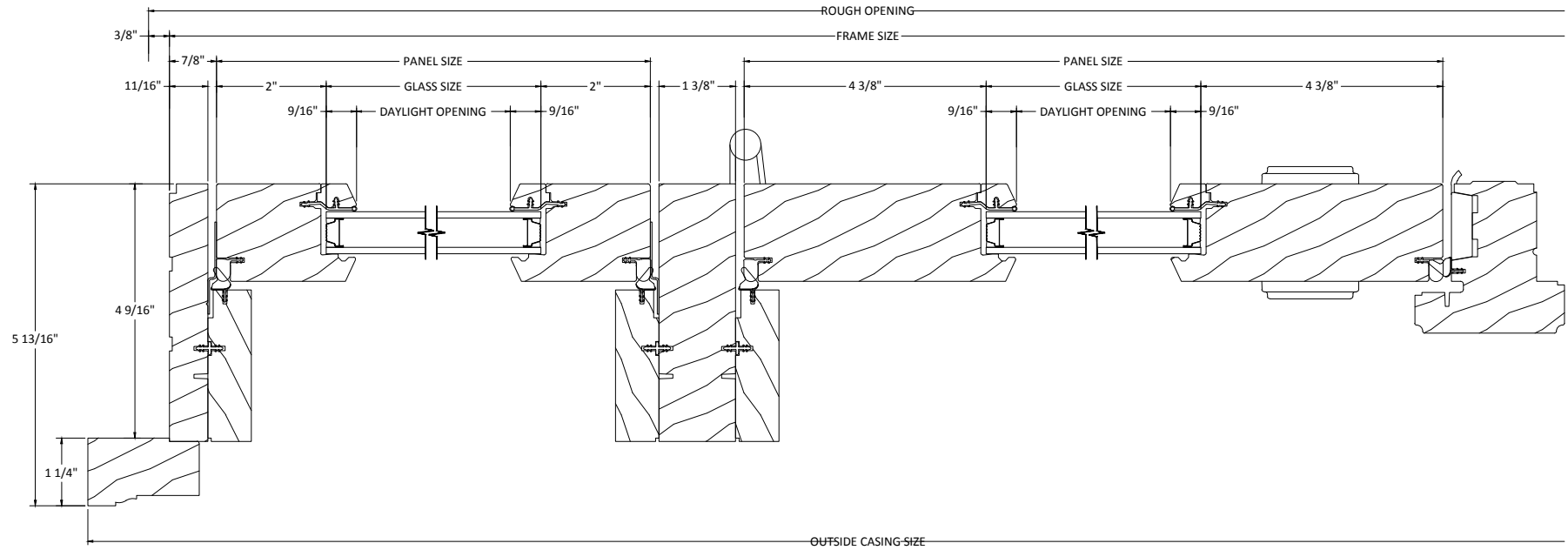
**HORIZONTAL SECTION**  
SIDE HINGED WIDE/SIDELITE  
STILE 2 PANEL



HORIZONTAL SECTION  
FRENCH

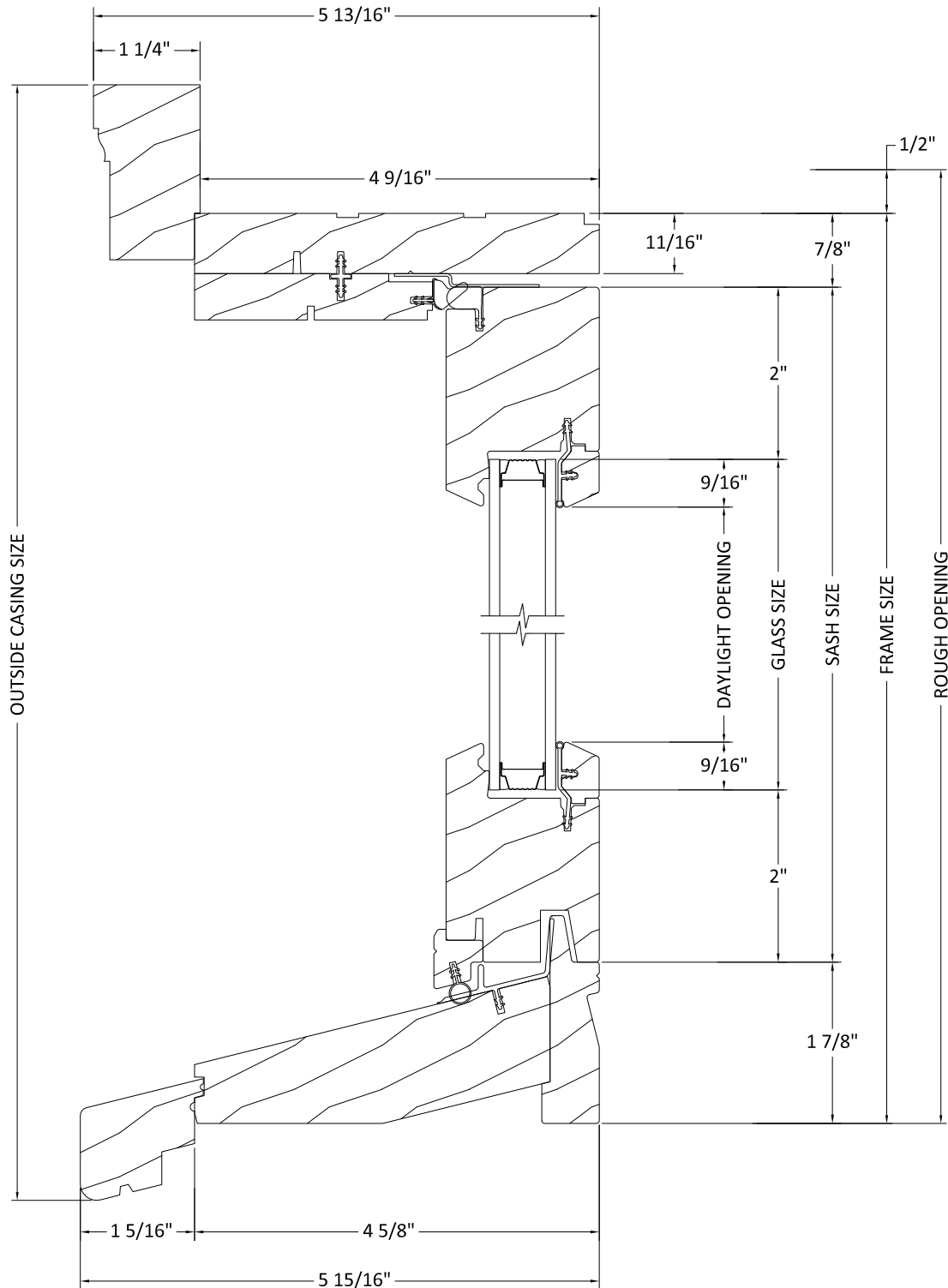


HORIZONTAL SECTION  
QUAD

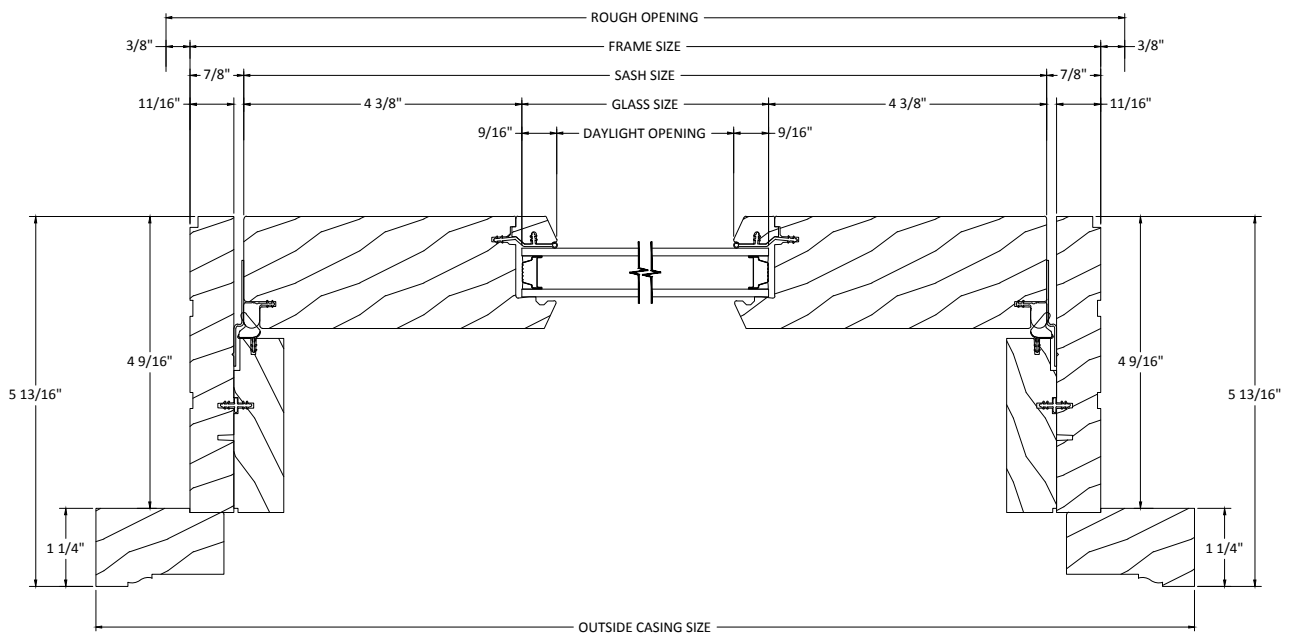




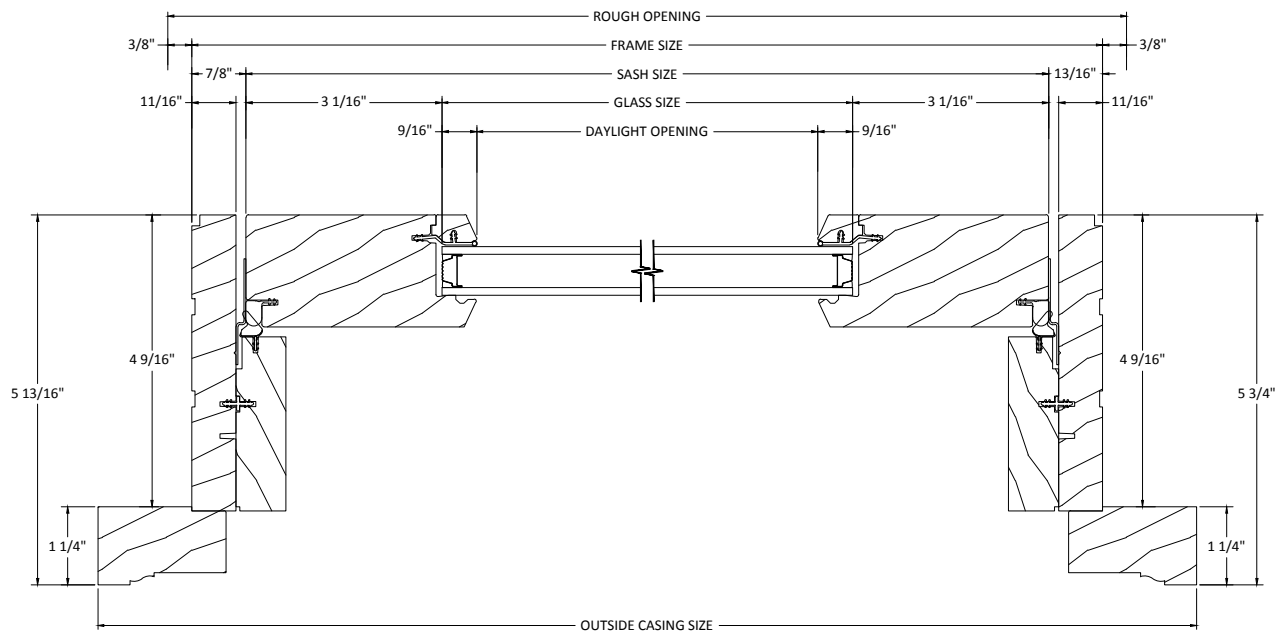
VERTICAL SECTION  
TRANSOM



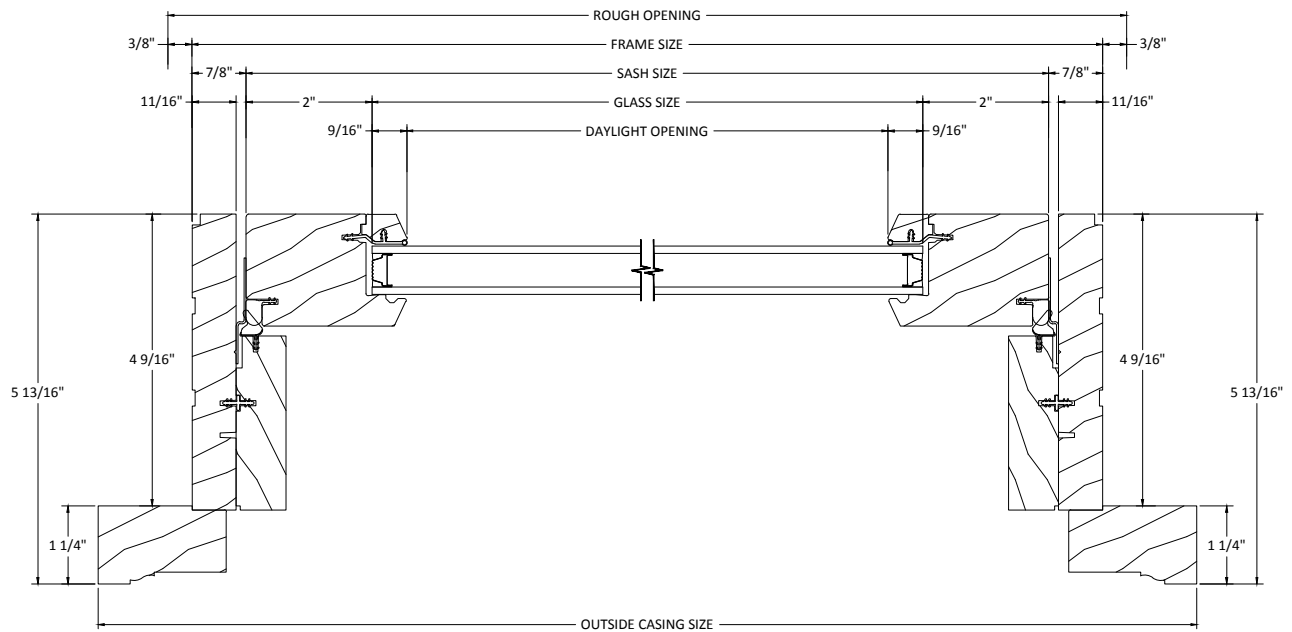
HORIZONTAL SECTION  
TRANSOM - WIDE STILE



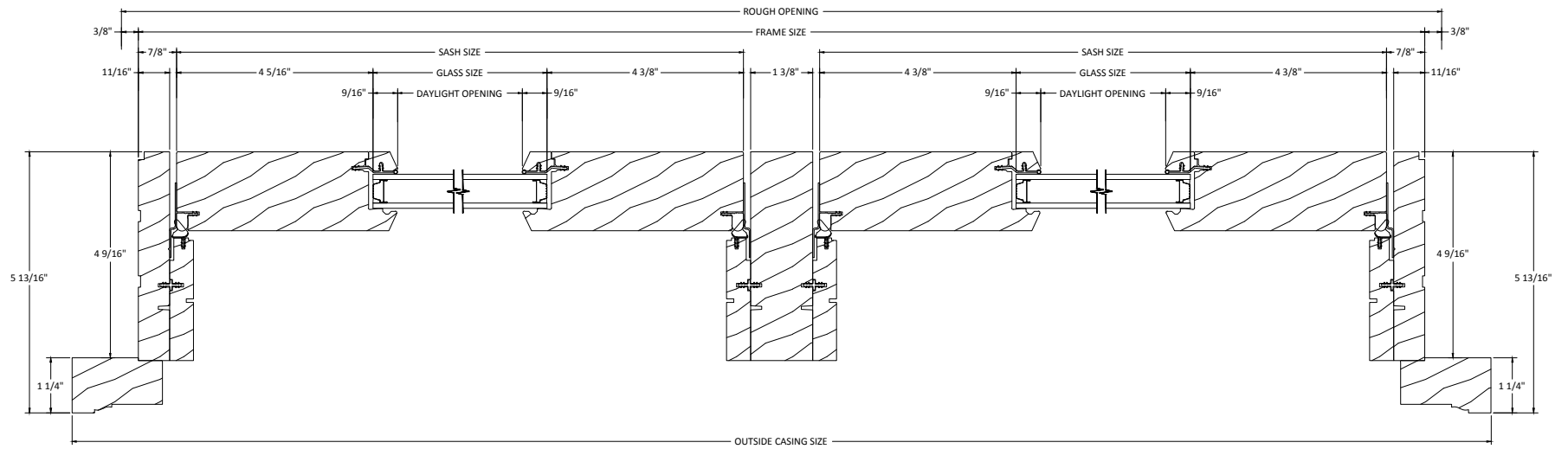
HORIZONTAL SECTION  
TRANSOM - NARROW STILE



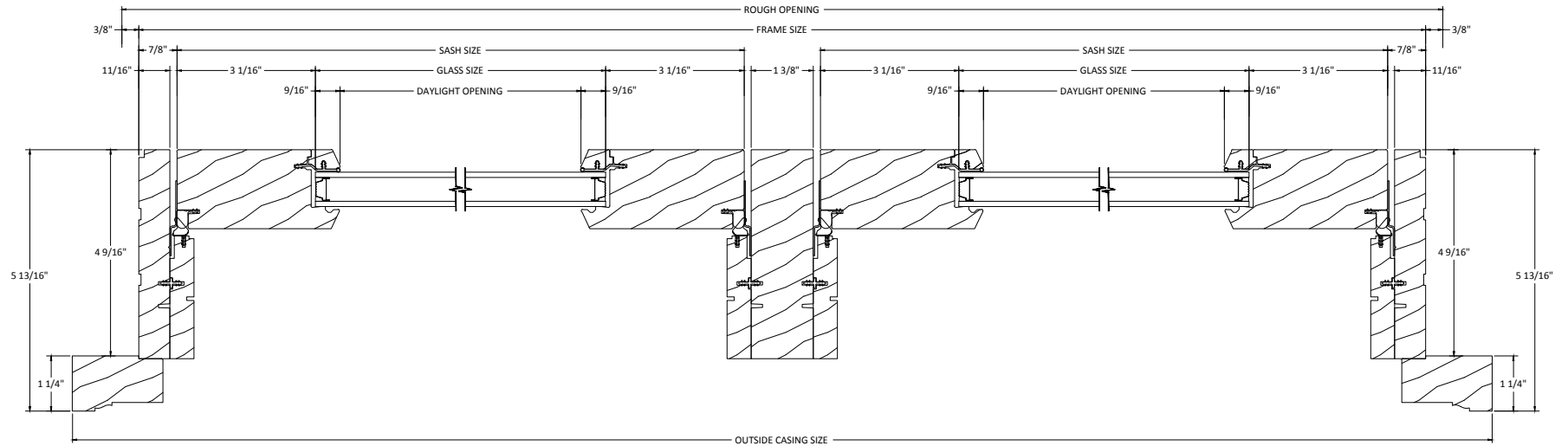
HORIZONTAL SECTION  
TRANSOM - SIDELITE STILE



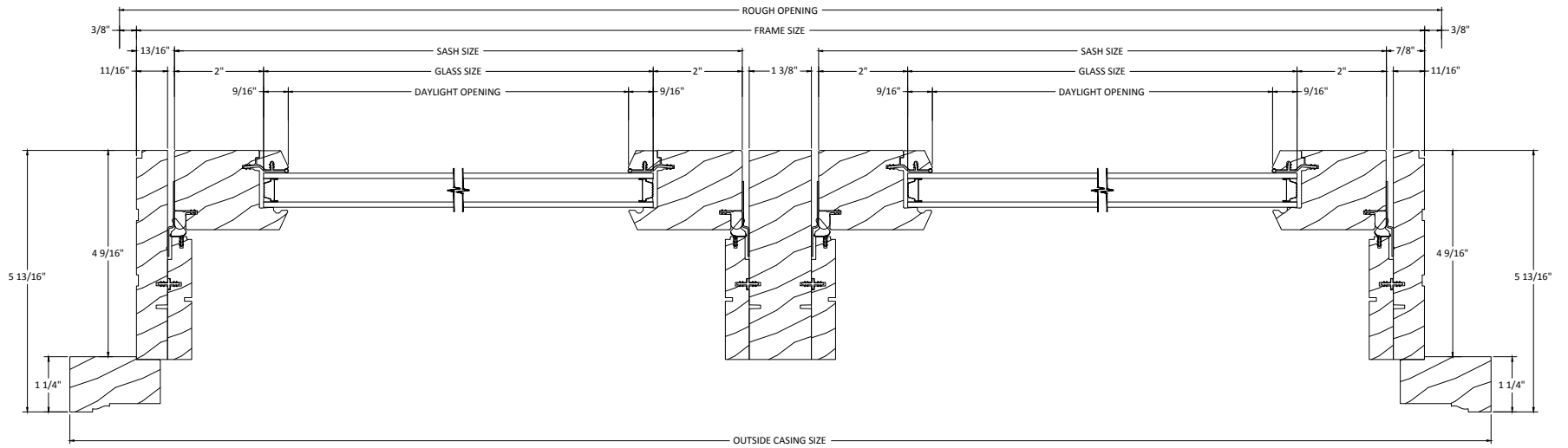
**HORIZONTAL SECTION**  
**2 PANEL TRANSOM - WIDE STILE**



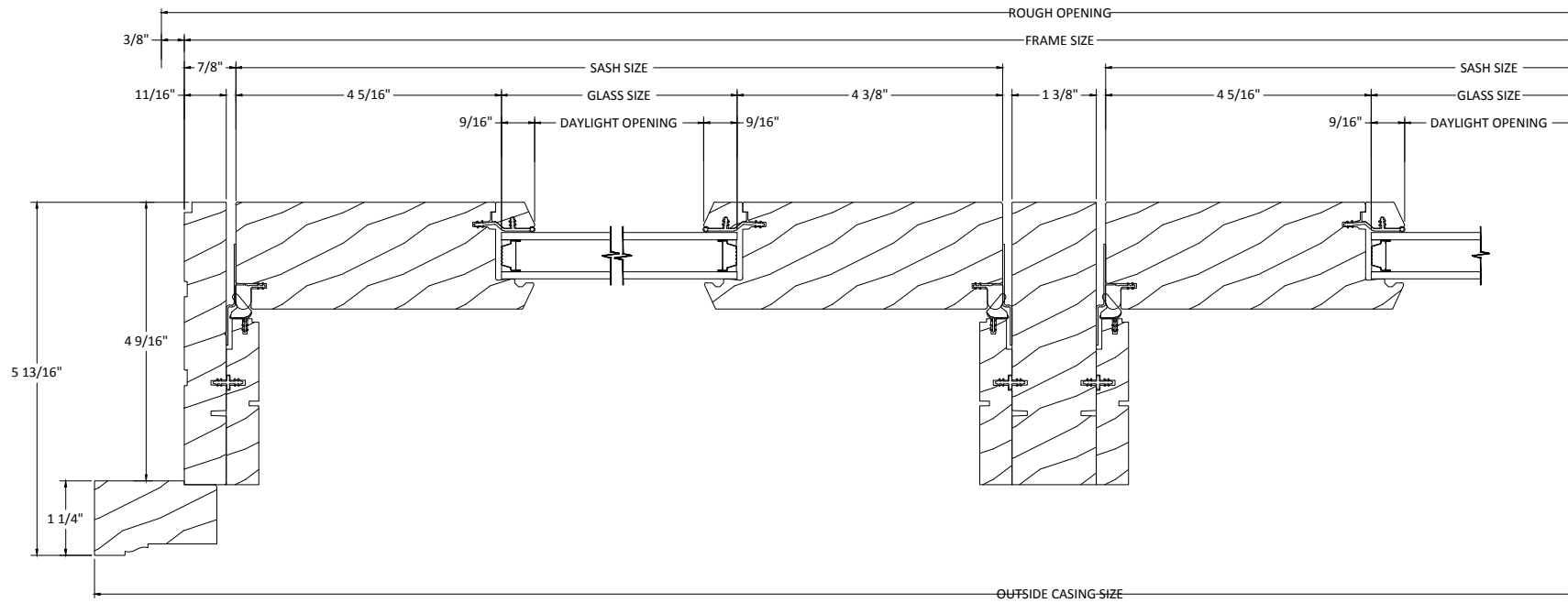
**HORIZONTAL SECTION**  
**2 PANEL TRANSOM - NARROW STILE**



**HORIZONTAL SECTION**  
**2 PANEL TRANSOM - SIDELITE STILE**

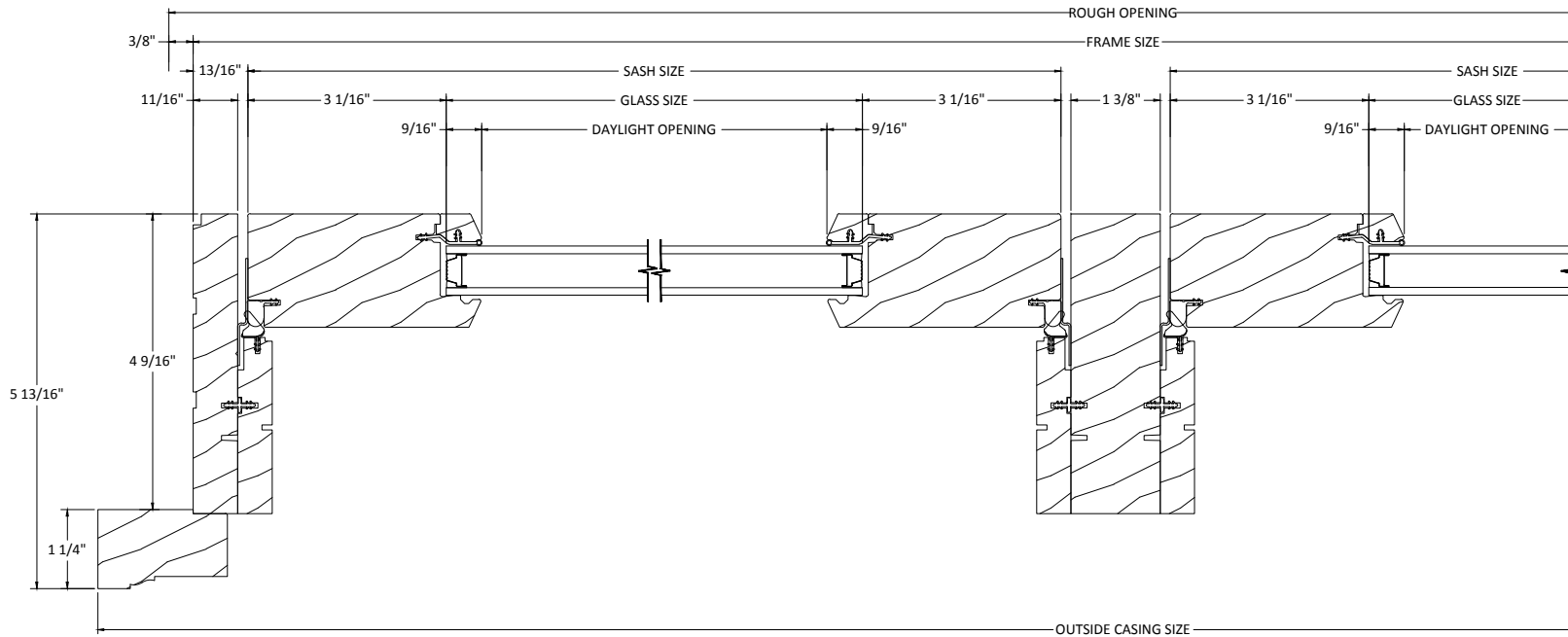


**HORIZONTAL SECTION**  
**3 PANEL TRANSOM - WIDE STILE**





**HORIZONTAL SECTION**  
**3 PANEL TRANSOM - NARROW STILE**



**HORIZONTAL SECTION**  
**3 PANEL TRANSOM - SIDELITE STILE**

