

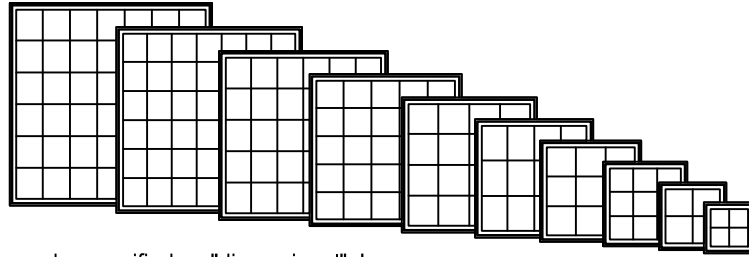
---

TABLE OF CONTENTS

---

General Information . . . . .	2-2
Elevation Notes . . . . .	2-3
Light Cut Information . . . . .	2-4
Unit Sizing, Rough Openings & Masonry Openings . . . . .	2-5
Trim Options . . . . .	2-6
Mullion Options . . . . .	2-7
Jamb Extender Options . . . . .	2-8
Section Details . . . . .	2-9
Min-Max Sizing . . . . .	2-13

GENERAL INFORMATION



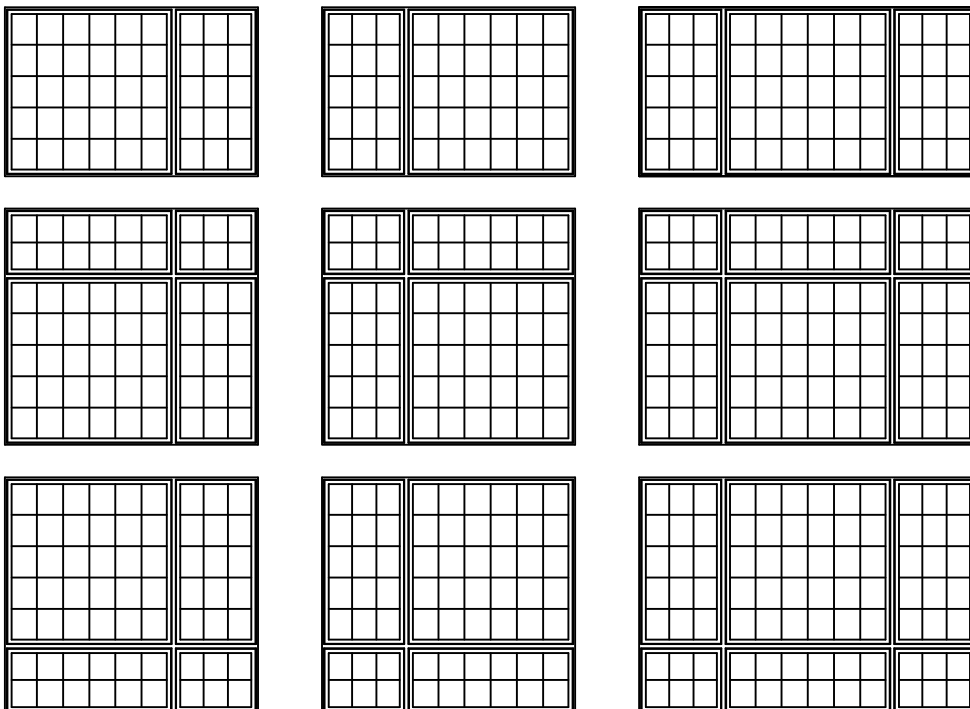
**DIMENSIONAL WINDOWS**

Custom wood tilt and turn windows may be specified as "dimensional", by adjusting the desired rough opening width or height in 1/4" increments from standard.

Custom wood tilt and turn windows are available with left or right hand operation, or stationary (non-venting). Operating mechanism includes corrosion resistant steel hinges and dual arm roto-type operator with hardened steel gears and operating arms. Sash locks are concealed unison type with an exposed locking lever and escutcheon plate. There are several interior hardware finish options. Refer to the Specifications for finish options.

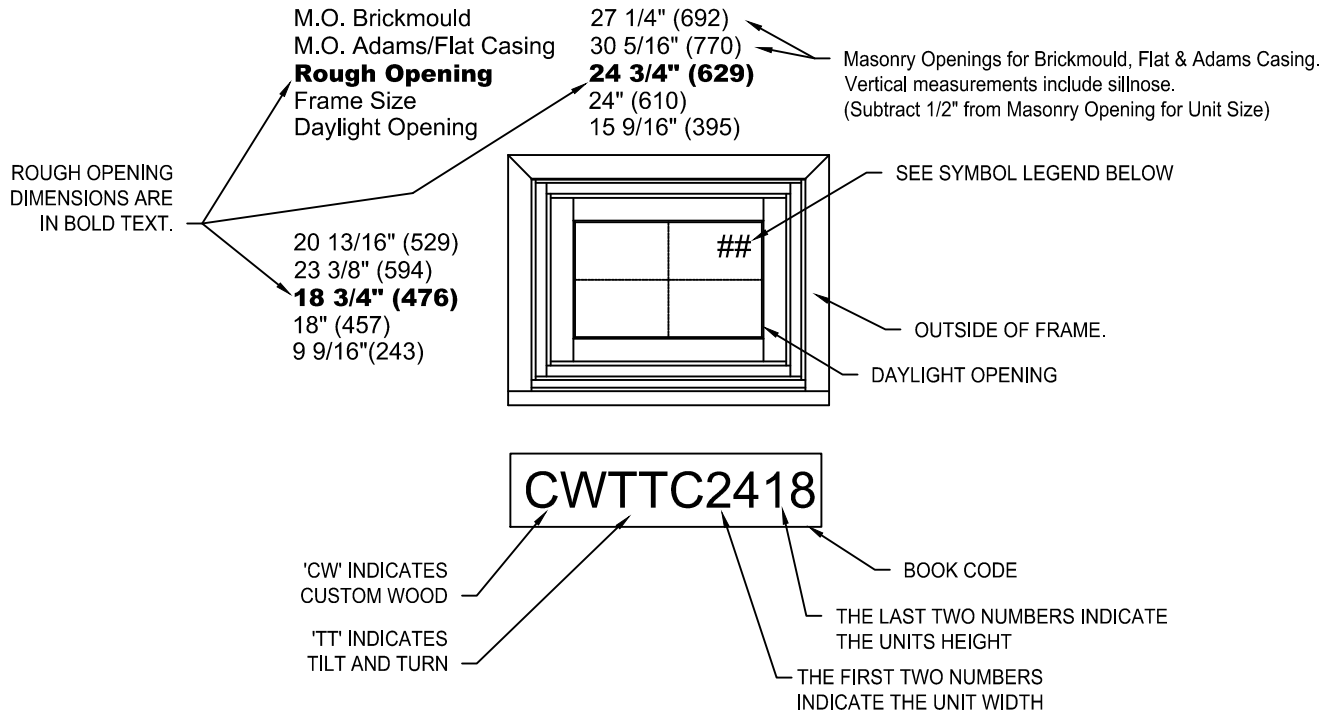
**MULTIPLE ASSEMBLIES**

Custom wood tilt and turn windows may be mullied above, below, or beside other clad tilt and turn windows, or other clad window products. Factory assembled mulls are limited in height (100"), width (150").



ELEVATION NOTES

ELEVATION DRAWINGS UTILIZE A LIMITED NUMBER OF PROJECTED LINES TO PRODUCE A RUDIMENTARY DRAWING INTENDED TO BE USED IN A SMALL GRAPHICAL SCALE. ELEVATIONS ARE VIEWED PERPENDICULAR FROM THE EXTERIOR OF THE STRUCTURE. IF MORE DIMENSIONS ARE NEEDED, USE THE SECTION DRAWINGS FOR MORE COMPLETE DEPICTIONS.



GENERAL CASEMENT NOTES

1. CUSTOM WOOD TILT AND TURN(CWTT) UNITS ARE AVAILABLE AS OPERATING OR FIXED UNITS.
2. 'CWTTT' IN A BOOK CODE DENOTES THE UNIT IS A WOOD TILT AND TURN PICTURE (FIXED) UNIT.
3. UNIT ELEVATIONS ARE SHOWN WITHOUT EXTERIOR TRIM. UNIT SIZES & MASONRY OPENING DIMENSIONS WILL CHANGE WITH THE ADDITION OF EXTERIOR TRIM. SEE THE 'UNIT SIZING, ROUGH OPENINGS & MASONRY OPENINGS' PAGE FOR EXTERIOR TRIM EFFECTS.
4. OPERATING UNITS ARE AVAILABLE AS LEFT OR RIGHT HAND OPERATION.
5. DIMENSIONAL VALUES IN BRACKETS ARE MILLIMETER CONVERSIONS.

ELEVATION SYMBOL LEGEND:

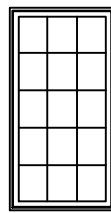
- E** BASIC UNIT CLEAR OPENING EXCEEDS 20" IN WIDTH, 24" IN HEIGHT & A MINIMUM OF 5.7 SQ. FT.
- \*** INDICATES STATIONARY UNIT.
- ##** NUMBER INDICATES PERFORMANCE GRADE (PG) RATING WITH STANDARD GLAZING. OPERATING UNITS UTILIZE A CONCEALED LOCKING SYSTEM FOR DP RATINGS.

LITE CUT INFORMATION

Custom wood tilt and turn windows are available with removable grilles in 7/8", 1-1/8" and 1-3/8" widths, Airspace (between the panes) grilles, and Simulated Divided Lites. Standard lite cuts are rectangular, and conform to the layouts noted in the charts on the next page. To use the chart, refer to the appropriate table by the type of window and type of bars or grilles the section drawings illustrate. Then simply cross reference the frame Height and Width to determine the standard lite cut.

LITE CUT OPTIONS

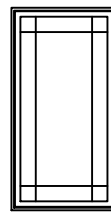
Special lite cut patterns can include a wide variety of straight line and radius patterns. The illustrations shown here represent just a few of the possibilities. Rectangular, horizontal, vertical and Prairie lite patterns are available in all standard size clad casement windows. Uneven, diamond, radius and Gothic lite cuts are available, subject to approval. Approvals are based on the ability to fulfill the design requirement while maintaining the construction integrity of the finished product.



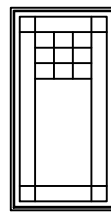
RECTANGULAR



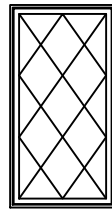
HORIZONTAL



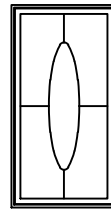
PRAIRIE



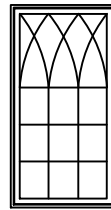
UNEVEN



DIAMOND



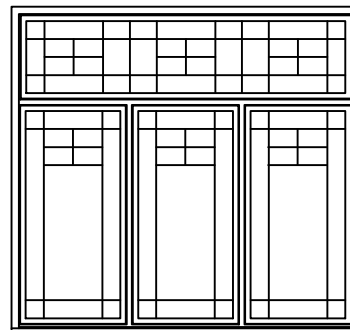
RADIUS



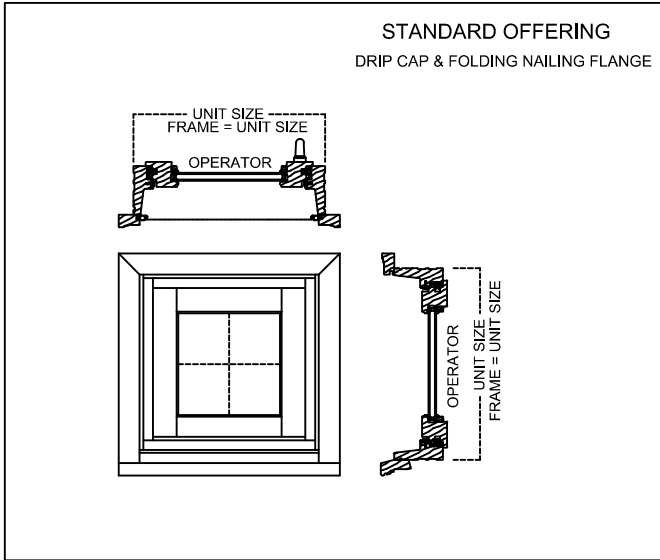
GOTHIC

BAR ALIGNMENT

Alignment of divided lite muntin bars from one window to the next is often required by fine architectural design. Wood grilles, Grilles Between the Glass, grilles, and Simulated Divided Lites may be specified with muntin bars aligned.



**UNIT SIZING, ROUGH OPENINGS & MASONRY OPENINGS**

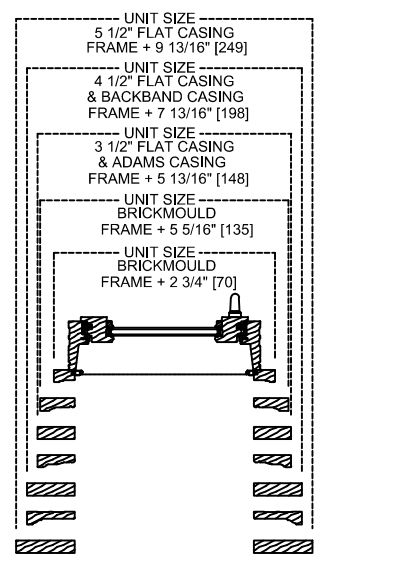
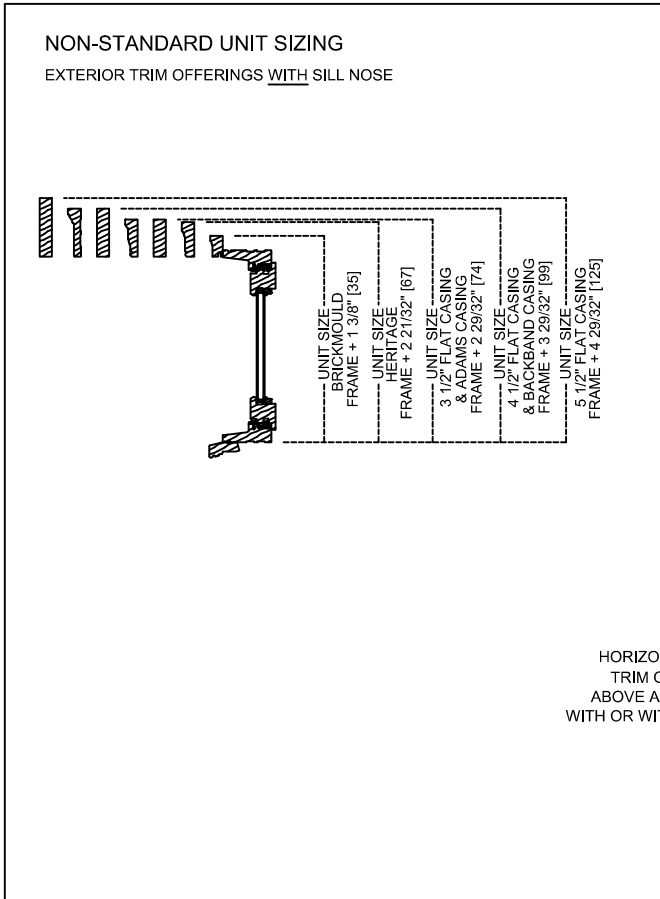
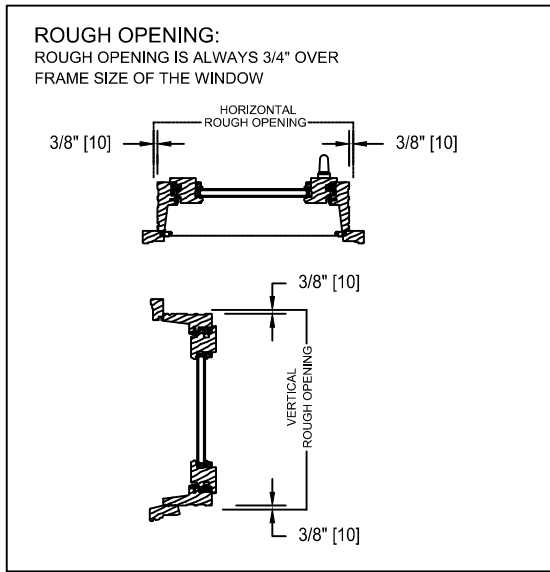


**GENERAL NOTES:**

UNITS WITH NO TRIM AND SILL NOSE:  
UNIT SIZE = FRAME SIZE

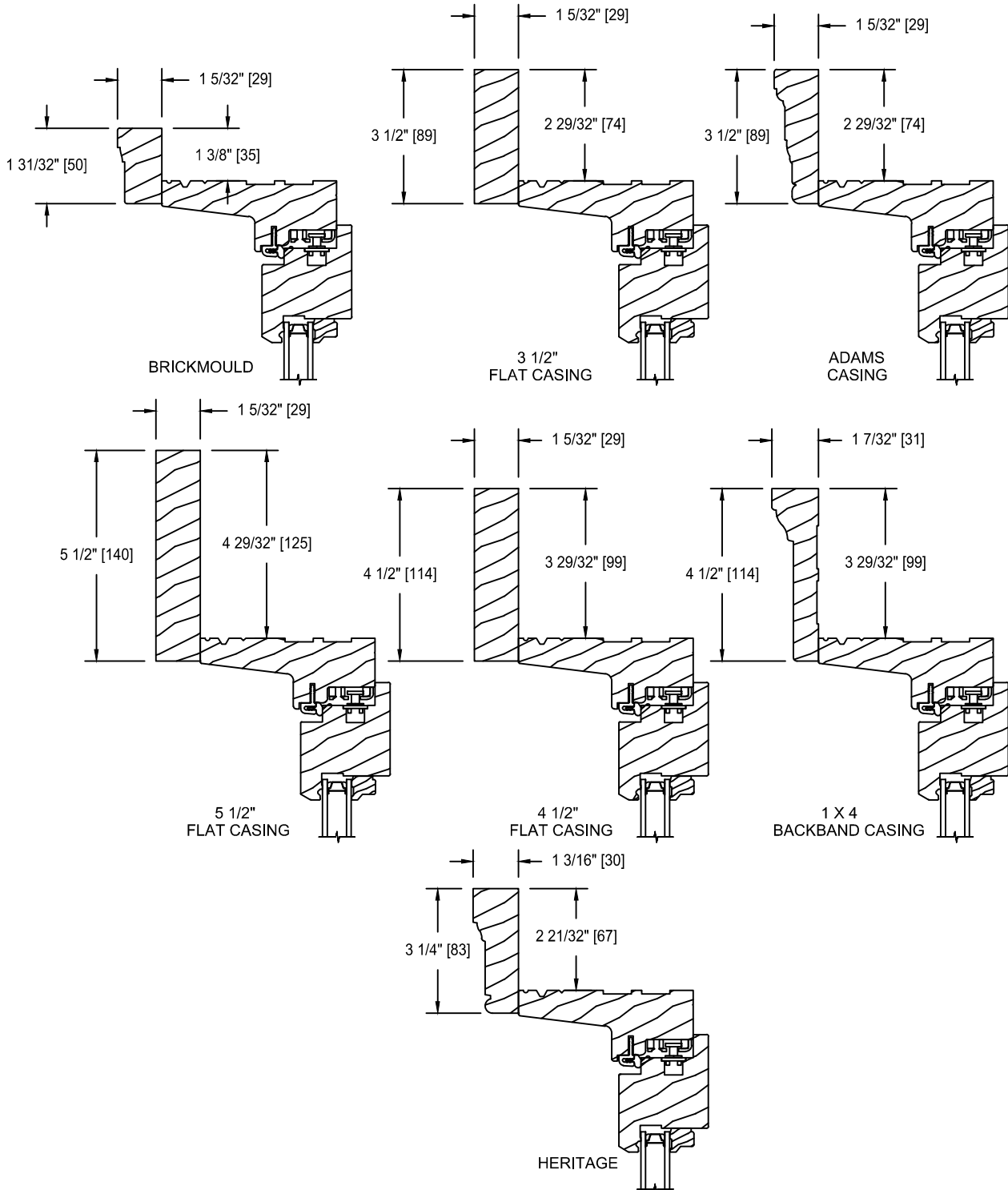
UNIT SIZE IS ALWAYS THE  
EXTREME SIZE OF THE WINDOW  
WITH OR WITHOUT TRIM  
(DRIP CAP & NAILING FLANGE ARE  
NOT ADDED TO ANY UNIT SIZING)

**MASONRY OPENING:**  
MASONRY OPENING IS ALWAYS 1/2" OVER  
THE UNIT SIZE OF THE WINDOW

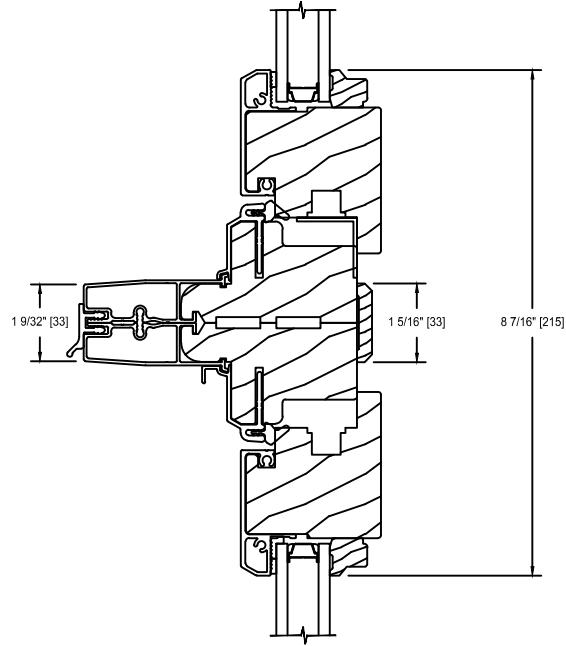


TRIM OPTIONS

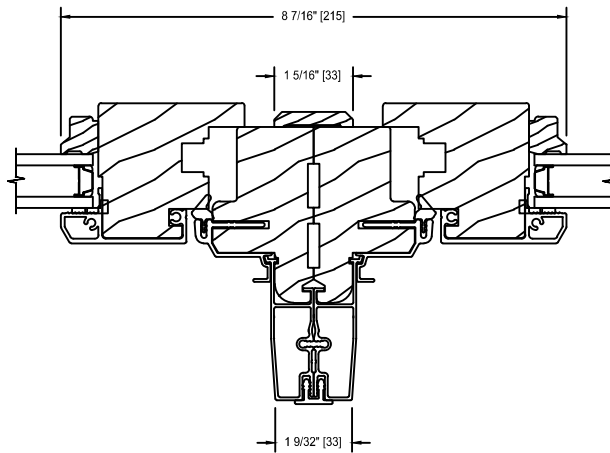
EXTERIOR TRIM



MULLION OPTIONS

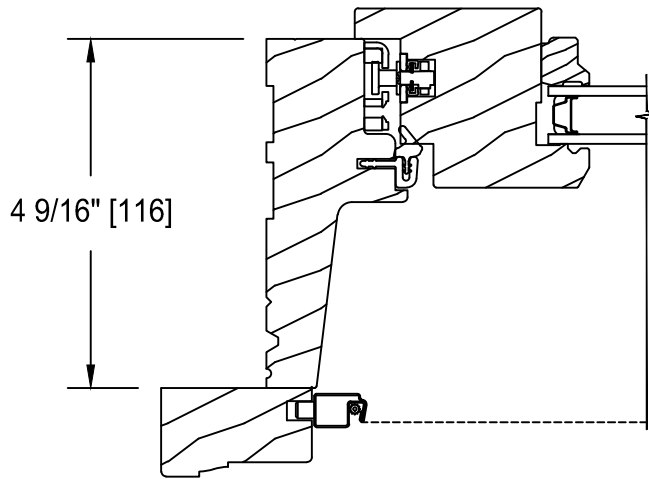


HEAD/SILL

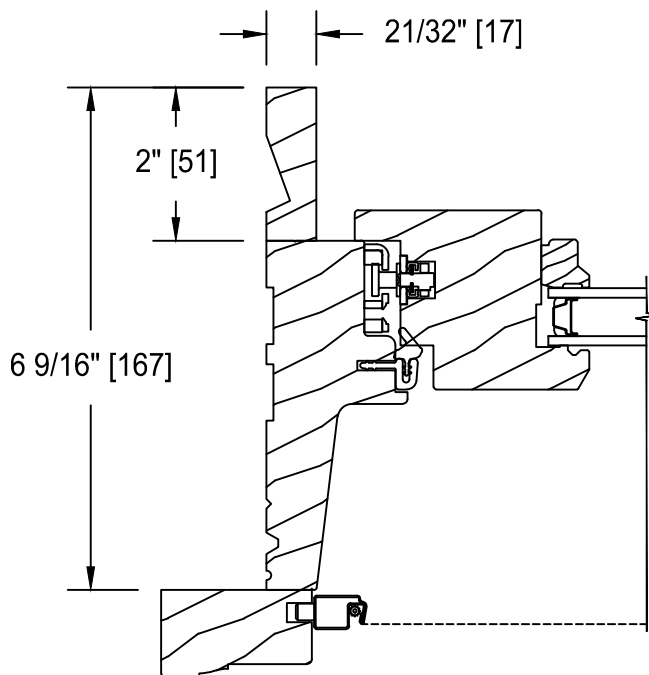


JAMB

JAMB EXTENDER OPTIONS

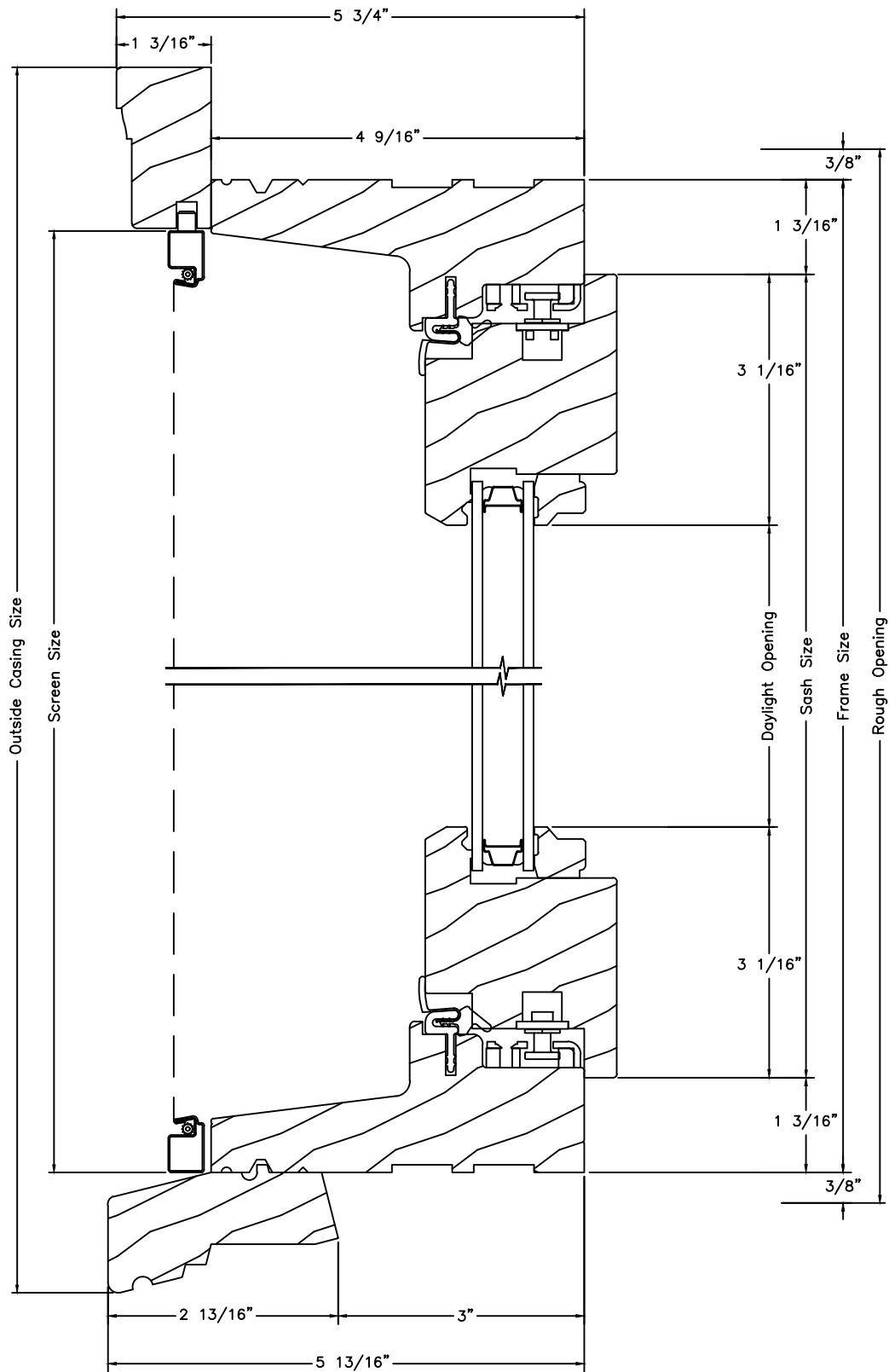


**6 9/16" WALL**

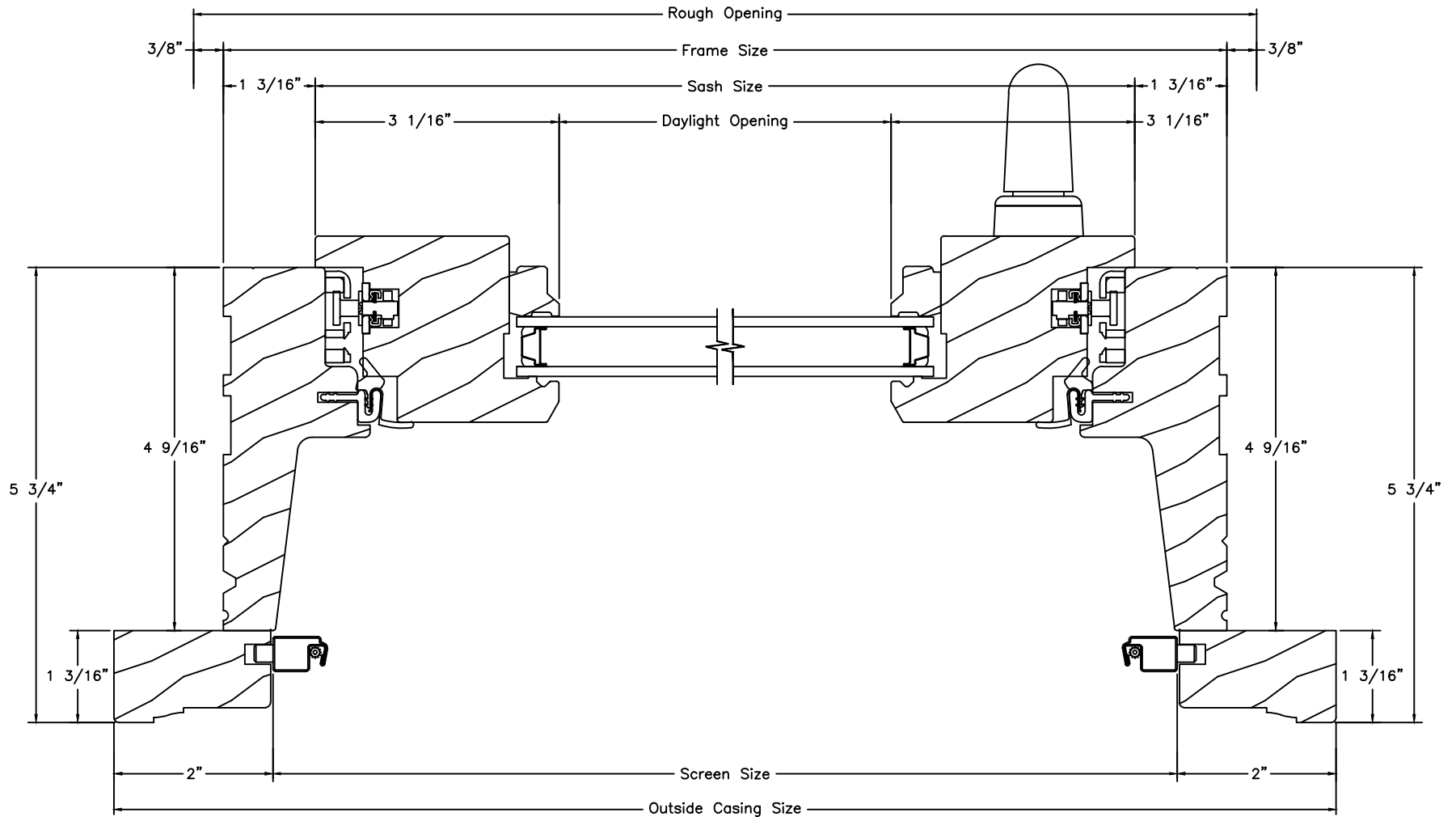




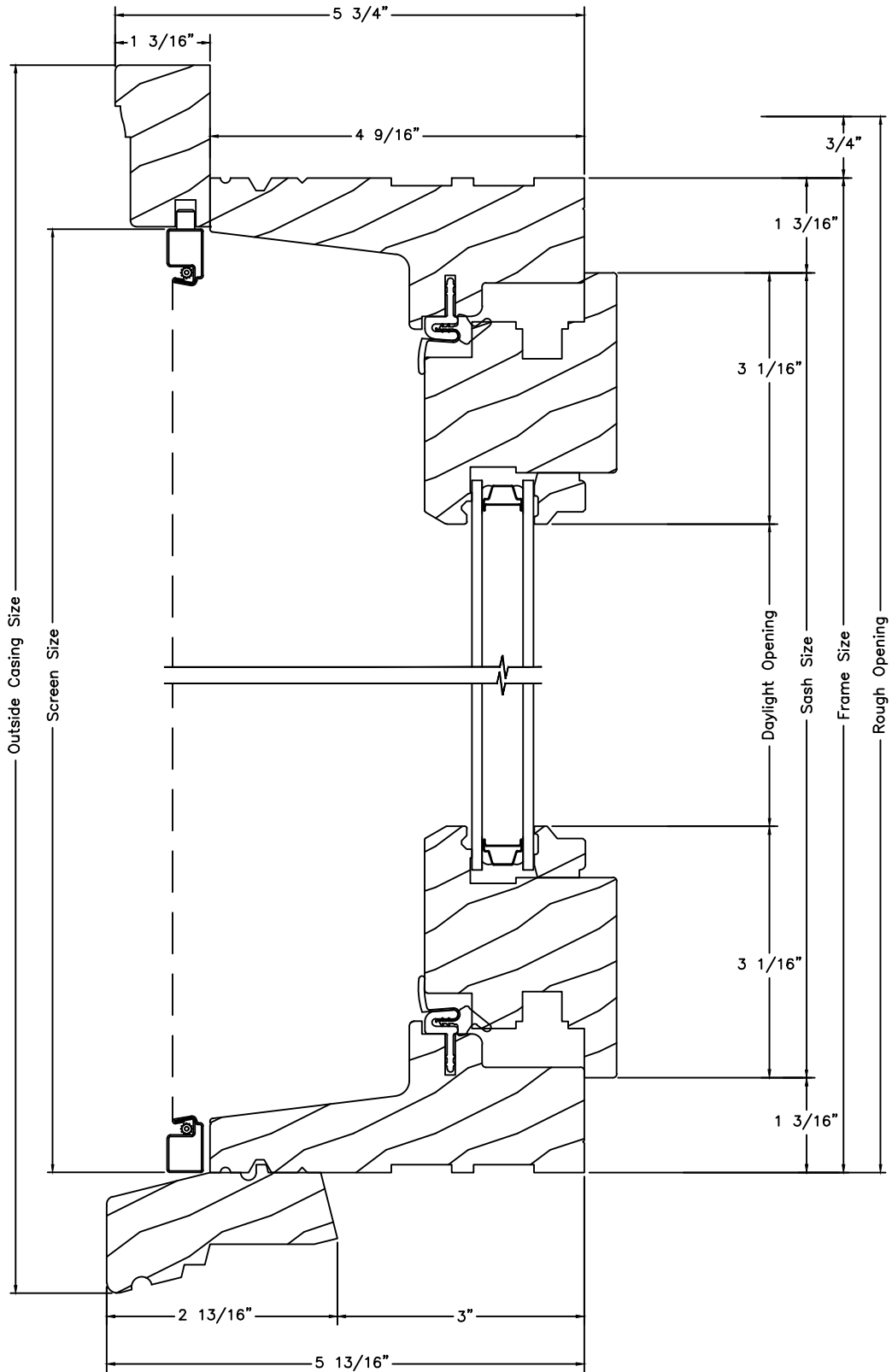
VERTICAL SECTION



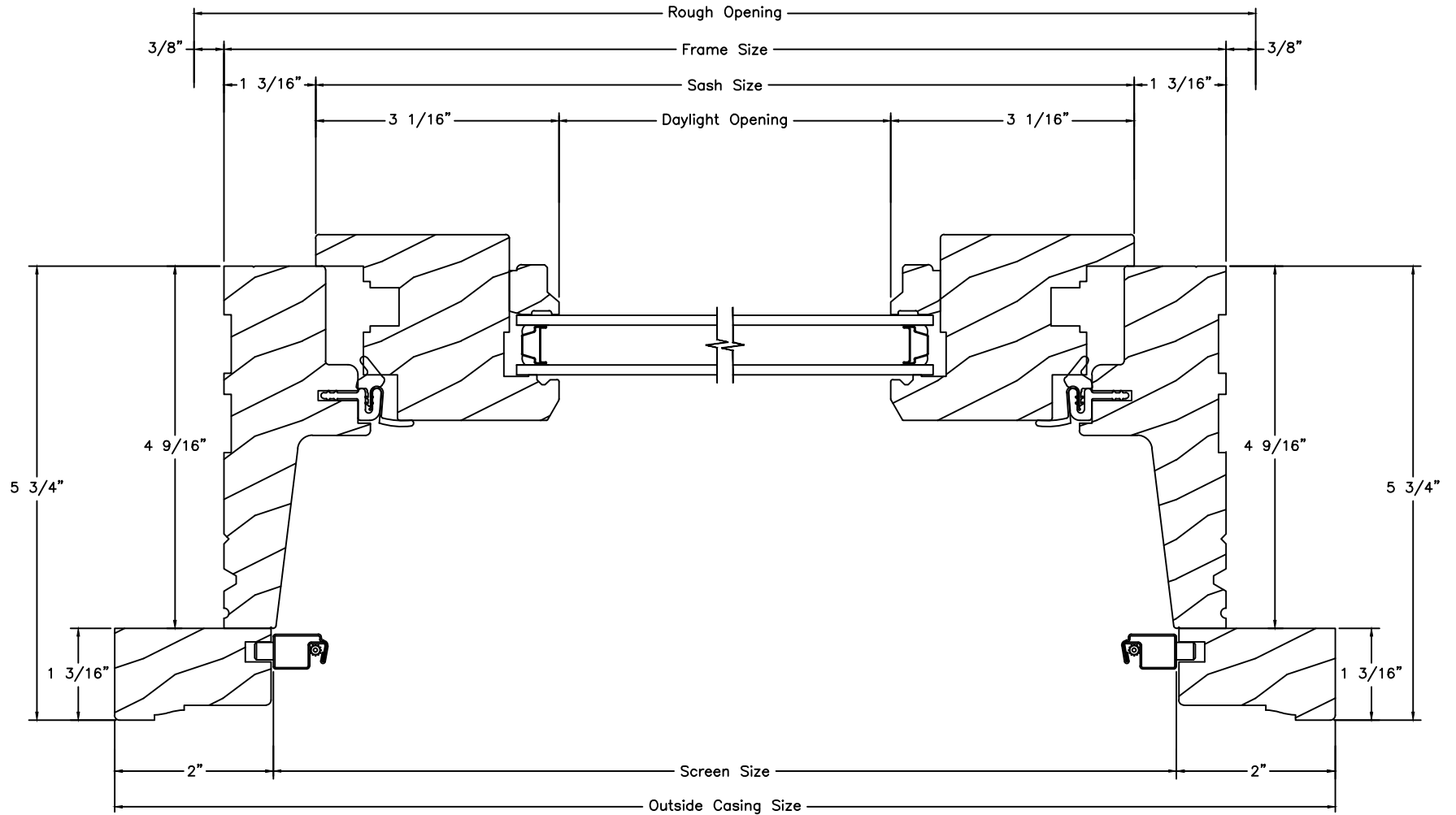
HORIZONTAL SECTION



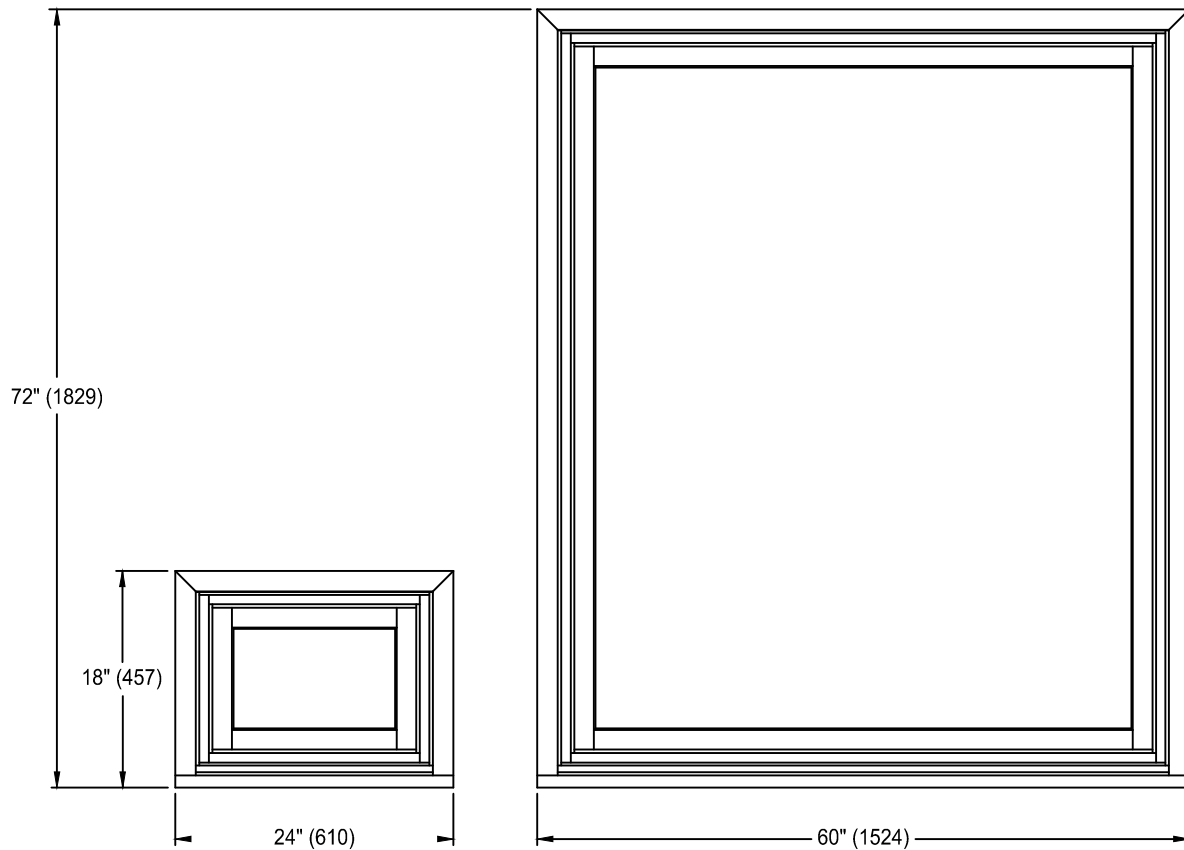
**VERTICAL SECTION**  
**PICTURE UNIT**



HORIZONTAL SECTION  
PICTURE UNIT



MIN-MAX SIZING  
SINGLE UNIT



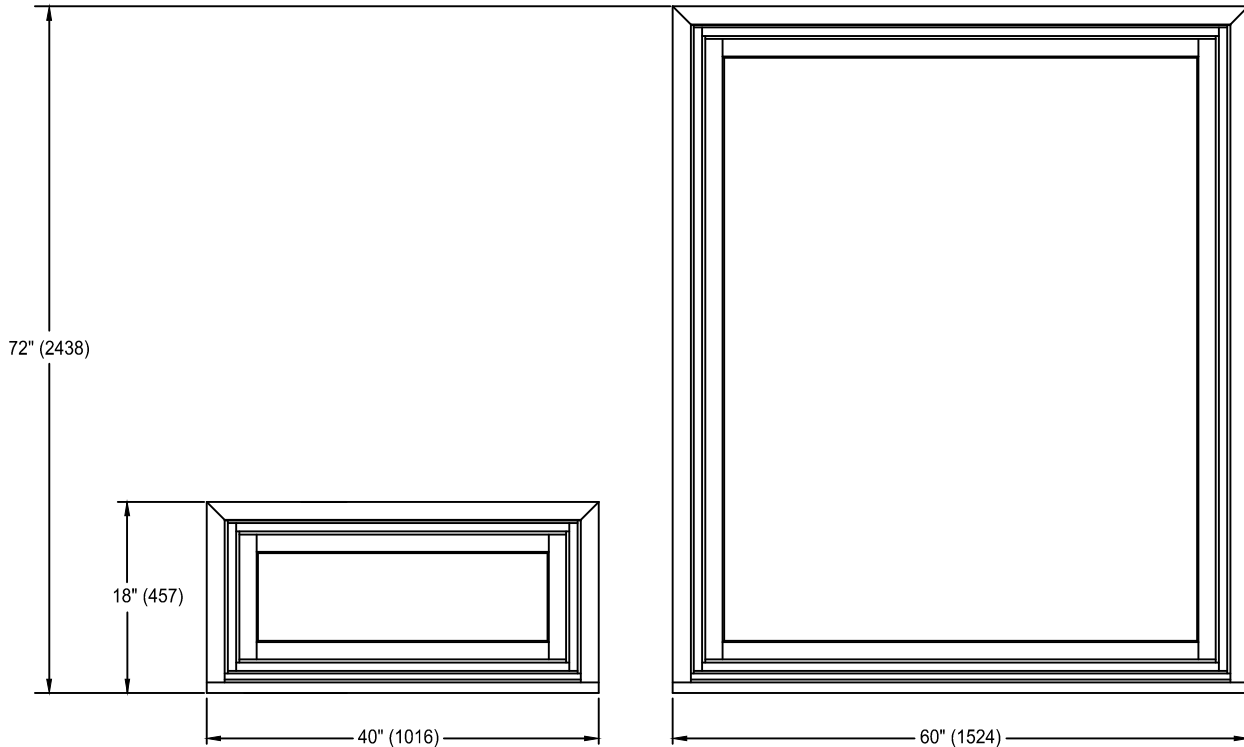
Standard widths for the Single Custom Wood Tilt and Turn window:

24"(610mm), 28"(711mm), 30"(762mm), 32"(813mm), 36"(914mm),  
40"(1016mm), 42"(1067mm), 48"(1219mm), 60"(1524mm).

Standard heights for the Single Custom Wood Tilt and Turn window:

18"(457mm), 20"(508mm), 24"(610mm), 30"(762mm), 32"(813mm), 36"(914mm),  
40"(1016mm), 42"(1067mm), 48"(1219mm), 54"(1372mm),  
56"(1422mm), 60"(1524mm), 64"(1626mm), 66"(1676mm), 72"(1829mm), 84"(2134mm).

MIN-MAX SIZING  
PICTURE UNIT



Standard widths for the Picture Custom Wood Tilt and Turn window:

40"(1016mm), 42"(1067mm), 48"(1219mm), 54"(1372mm),  
56"(1422mm) 60"(1524mm).

Standard heights for the Picture Custom Wood Tilt and Turn window:

18"(457mm), 20"(508mm), 24"(610mm), 30"(762mm), 32"(813mm), 36"(914mm),  
40"(1016mm), 42"(1067mm), 48"(1219mm), 54"(1372mm),  
56"(1422mm), 60"(1524mm), 64"(1626mm), 66"(1676mm), 72"(1829mm), 84"(2134mm).