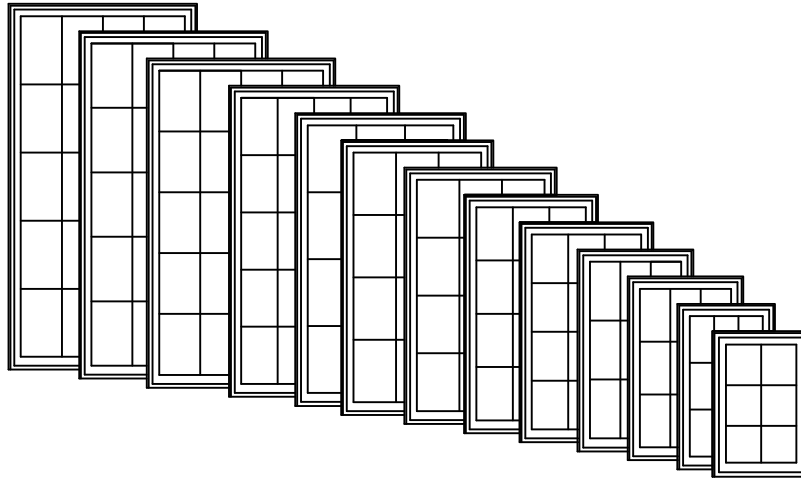

TABLE OF CONTENTS

Table of Contents.	6-1
General Information.	6-2
Grille & SDL Patterns.	6-3
Handling & Operation.	6-6
Unit Sizing, Rough Opening & Masonry Openings	6-7
Trim Options	6-8
Sill Options	6-9
Jamb Options & Stucco Trim Options	6-10
Mullion Details & Specialty Trim	6-11
Pocket Casement Elevation Notes	6-14
Pocket Picture Casement Elevation Notes	6-15
Section Details: 6" Scale.	6-16
Bays & Bows Opening Specifications	6-22



DIMENSIONAL WINDOWS

Custom wood pocket casement windows may be specified as "dimensional", by adjusting the desired rough opening width or height in 1/16" increments from standard.

Custom wood pocket casement windows are available with left or right hand operation, or stationary (non-venting). Operating mechanism includes corrosion resistant steel hinges and dual arm roto-type operator with hardened steel gears and operating arms. Sash locks are concealed unison type with an exposed locking lever and escutcheon plate. There are several interior hardware finish options. Refer to the Specifications for finish options.

MULTIPLE ASSEMBLIES

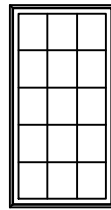
Custom wood pocket casement windows may be mullied above, below, or beside other wood casement windows, or other wood window products. Factory assembled mulls are limited in height (100") and width (150").

LITE CUT INFORMATION

Custom wood pocket casement windows are available with removable grilles in 7/8", 1-1/8" and 1-3/8" widths, Airspace (between the panes) grilles, and Simulated Divided Lites. Standard lite cuts are rectangular, and conform to the layouts noted in the charts on the next page. To use the chart, refer to the appropriate table by the type of window and type of bars or grilles the section drawings illustrate. Then simply cross reference the frame Height and Width to determine the standard lite cut.

LITE CUT OPTIONS

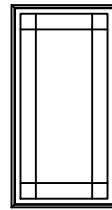
Special lite cut patterns can include a wide variety of straight line and radius patterns. The illustrations shown here represent just a few of the possibilities. Rectangular, horizontal, vertical and Prairie lite patterns are available in all standard size wood casement windows. Uneven, diamond, radius and Gothic lite cuts are available, subject to approval. Approvals are based on the ability to fulfill the design requirement while maintaining the construction integrity of the finished product.



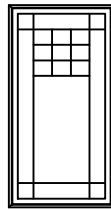
RECTANGULAR



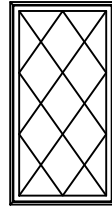
HORIZONTAL



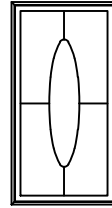
PRAIRIE



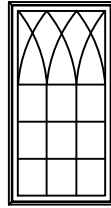
UNEVEN



DIAMOND



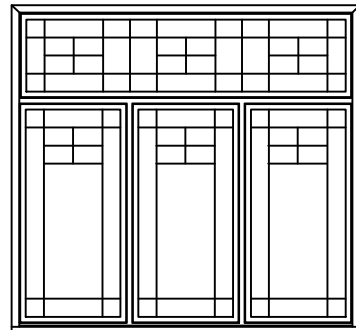
RADIUS



GOthic

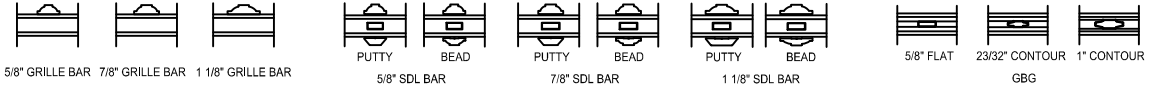
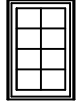
BAR ALIGNMENT

Alignment of divided lite muntin bars from one window to the next is often required by fine architectural design. Wood grilles, Grilles between the glass, and Simulated Divided Lites may be specified with muntin bars aligned.



LITE CUT TABLE

POCKET CASEMENT WINDOWS - CWC



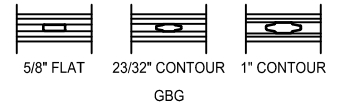
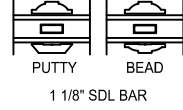
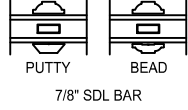
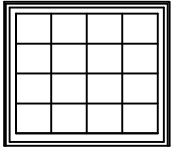
CWC		Frame Height															
		32	36	40	44	48	52	56	60	64	68	72	76	80	88	92	96
Frame Width	21	21 3/8	2W 2H	2W 2H	2W 2H	2W 2H	2W 2H	2W 2H	2W 2H	2W 2H	2W 2H	2W 2H	2W 2H	2W 2H	2W 2H	2W 2H	2W 2H
	25	25 3/8	3W 2H	3W 2H	3W 2H	3W 2H	3W 2H	3W 2H	3W 2H	3W 2H	3W 2H	3W 2H	3W 2H	3W 2H	3W 2H	3W 2H	3W 2H
	29	29 3/8	3W 2H	3W 2H	3W 2H	3W 2H	3W 2H	3W 2H	3W 2H	3W 2H	3W 2H	3W 2H	3W 2H	3W 2H	3W 2H	3W 2H	3W 2H
	31	31 3/8	3W 2H	3W 2H	3W 2H	3W 2H	3W 2H	3W 2H	3W 2H	3W 2H	3W 2H	3W 2H	3W 2H	3W 2H	3W 2H	3W 2H	3W 2H
	33	33 3/8	3W 2H	3W 2H	3W 2H	3W 2H	3W 2H	3W 2H	3W 2H	3W 2H	3W 2H	3W 2H	3W 2H	3W 2H	3W 2H	3W 2H	3W 2H
	35	35 3/8	4W 2H	4W 2H	4W 2H	4W 2H	4W 2H	4W 2H	4W 2H	4W 2H	4W 2H	4W 2H	4W 2H	4W 2H	4W 2H	4W 2H	4W 2H
	37	37 3/8	4W 2H	4W 2H	4W 2H	4W 2H	4W 2H	4W 2H	4W 2H	4W 2H	4W 2H	4W 2H	4W 2H	4W 2H	4W 2H	4W 2H	4W 2H
	41	41 3/8	4W 2H	4W 2H	4W 2H	4W 2H	4W 2H	4W 2H	4W 2H	4W 2H	4W 2H	4W 2H	4W 2H	4W 2H	4W 2H	4W 2H	4W 2H
	45	45 3/8	4W 2H	4W 2H	4W 2H	4W 2H	4W 2H	4W 2H	4W 2H	4W 2H	4W 2H	4W 2H	4W 2H	4W 2H	4W 2H	4W 2H	4W 2H
	49	49 3/8	4W 2H	4W 2H	4W 2H	4W 2H	4W 2H	4W 2H	4W 2H	4W 2H	4W 2H	4W 2H	4W 2H	4W 2H	4W 2H	4W 2H	4W 2H



CWC		Frame Height															
		32	36	40	44	48	52	56	60	64	68	72	76	80	88	92	96
Frame Width	21	21 3/8	2W 1H	2W 1H	2W 2H	2W 2H	2W 2H	2W 2H	2W 2H	2W 2H	2W 2H	2W 2H	2W 2H	2W 2H	2W 2H	2W 2H	2W 2H
	25	25 3/8	2W 1H	2W 1H	2W 2H	2W 2H	2W 2H	2W 2H	2W 2H	2W 2H	2W 2H	2W 2H	2W 2H	2W 2H	2W 2H	2W 2H	2W 2H
	29	29 3/8	3W 1H	3W 1H	3W 2H	3W 2H	3W 2H	3W 2H	3W 2H	3W 2H	3W 2H	3W 2H	3W 2H	3W 2H	3W 2H	3W 2H	3W 2H
	31	31 3/8	3W 1H	3W 1H	3W 2H	3W 2H	3W 2H	3W 2H	3W 2H	3W 2H	3W 2H	3W 2H	3W 2H	3W 2H	3W 2H	3W 2H	3W 2H
	33	33 3/8	3W 1H	3W 1H	3W 2H	3W 2H	3W 2H	3W 2H	3W 2H	3W 2H	3W 2H	3W 2H	3W 2H	3W 2H	3W 2H	3W 2H	3W 2H
	35	35 3/8	3W 1H	3W 1H	3W 2H	3W 2H	3W 2H	3W 2H	3W 2H	3W 2H	3W 2H	3W 2H	3W 2H	3W 2H	3W 2H	3W 2H	3W 2H
	37	37 3/8	3W 1H	3W 1H	3W 2H	3W 2H	3W 2H	3W 2H	3W 2H	3W 2H	3W 2H	3W 2H	3W 2H	3W 2H	3W 2H	3W 2H	3W 2H
	41	41 3/8	4W 1H	4W 1H	4W 2H	4W 2H	4W 2H	4W 2H	4W 2H	4W 2H	4W 2H	4W 2H	4W 2H	4W 2H	4W 2H	4W 2H	4W 2H
	45	45 3/8	4W 1H	4W 1H	4W 2H	4W 2H	4W 2H	4W 2H	4W 2H	4W 2H	4W 2H	4W 2H	4W 2H	4W 2H	4W 2H	4W 2H	4W 2H
	49	49 3/8	4W 2H	4W 2H	4W 2H	4W 2H	4W 2H	4W 2H	4W 2H	4W 2H	4W 2H	4W 2H	4W 2H	4W 2H	4W 2H	4W 2H	4W 2H

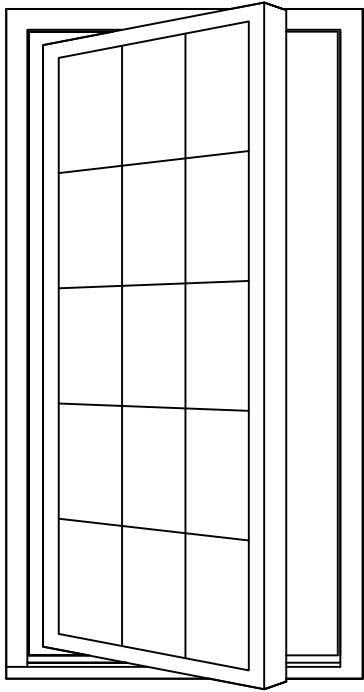
LITE CUT TABLE

PICTURE WINDOWS - CWCP

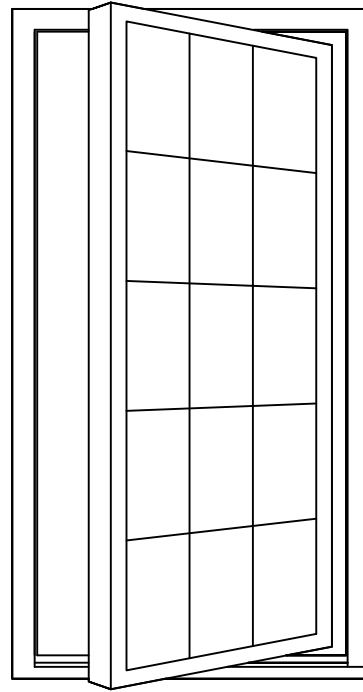


CWCP		Frame Height														
		40	44	48	52	56	60	64	68	72	76	80	88	92	96	
Frame Width	41	41 3/8	4W 4H	4W 4H	4W 4H	4W 4H	4W 4H	4W 4H	4W 4H	4W 6H	4W 6H	4W 6H	4W 6H	4W 8H	4W 8H	4W 8H
	45	45 3/8	4W 4H	4W 4H	4W 4H	4W 4H	4W 4H	4W 4H	4W 4H	4W 6H	4W 6H	4W 6H	4W 6H	4W 8H	4W 8H	4W 8H
	49	49 3/8	4W 4H	4W 4H	4W 4H	4W 4H	4W 4H	4W 4H	4W 4H	4W 6H	4W 6H	4W 6H	4W 6H	4W 8H	4W 8H	4W 8H
	53	53 3/8	4W 4H	4W 4H	4W 4H	4W 4H	4W 4H	4W 4H	4W 4H	4W 6H	4W 6H	4W 6H	4W 6H	4W 8H	4W 8H	4W 8H
	61	61 3/8	5W 4H	5W 4H	5W 4H	5W 4H	5W 4H	5W 4H	5W 4H	5W 6H	5W 6H	5W 6H	5W 6H	5W 8H	5W 8H	5W 8H
	69	69 3/8	6W 4H	6W 4H	6W 4H	6W 4H	6W 4H	6W 4H	6W 4H	6W 6H	6W 6H	6W 6H	6W 6H	6W 8H	6W 8H	6W 8H
	77	77 3/8	7W 4H	7W 4H	7W 4H	7W 4H	7W 4H	7W 4H	7W 4H	7W 6H	7W 6H	7W 6H	7W 6H	7W 8H	7W 8H	NA

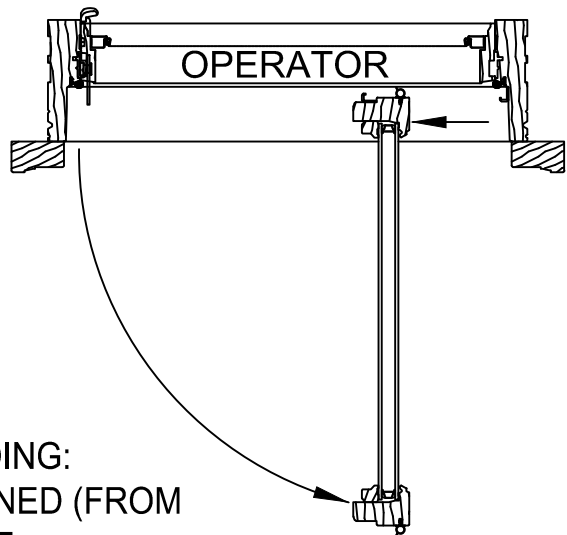
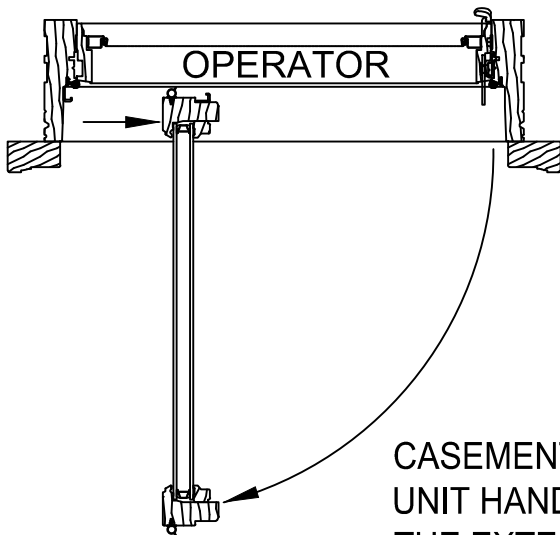
HANDLING & OPERATION



LEFT
HAND

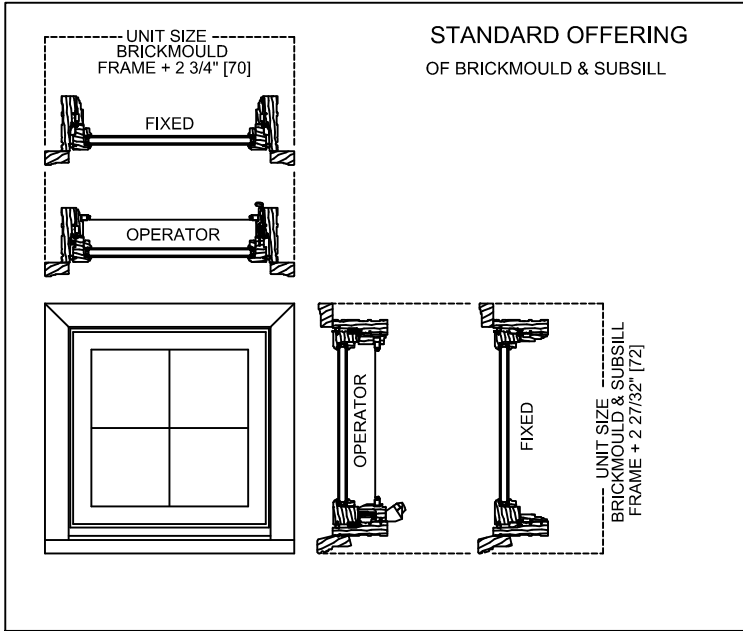


RIGHT
HAND



CASEMENT UNIT HANDING:
UNIT HANDING IS DEFINED (FROM
THE EXTERIOR) AS THE
DIRECTION THE SASH OPENS.

UNIT SIZING, ROUGH OPENING & MASONRY OPENINGS



GENERAL NOTES:

UNITS WITH NO TRIM AND SUBSILL:
UNIT SIZE = FRAME SIZE

UNIT SIZE IS ALWAYS THE
EXTREME SIZE OF THE WINDOW
WITH OR WITHOUT TRIM

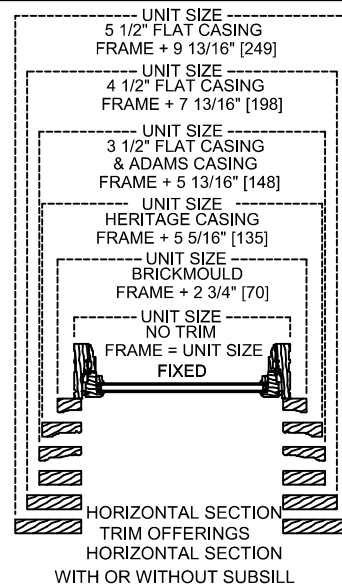
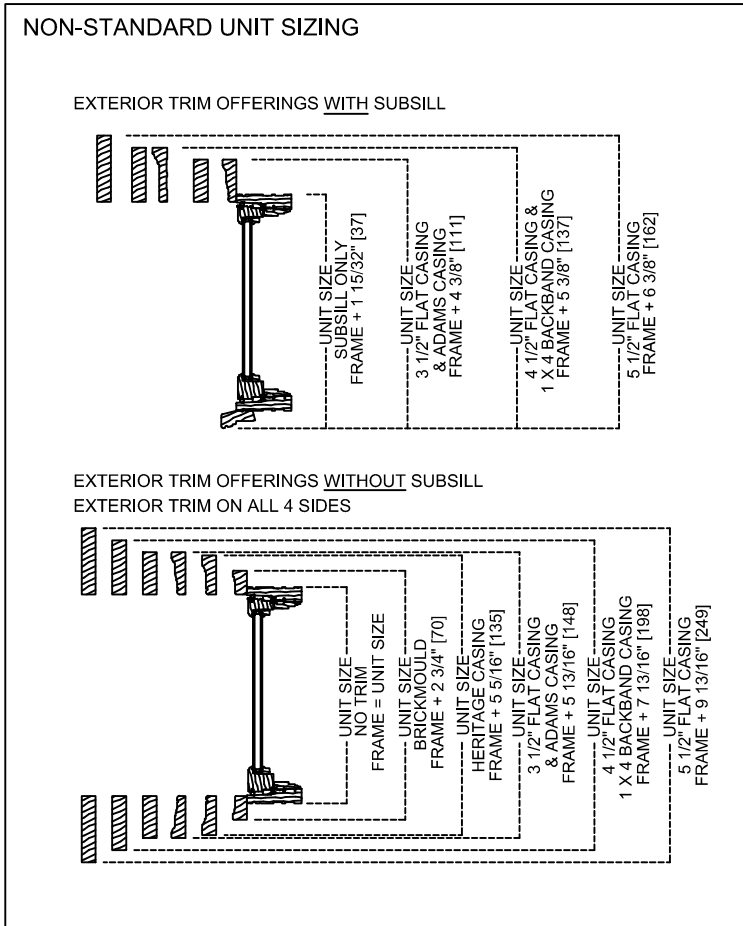
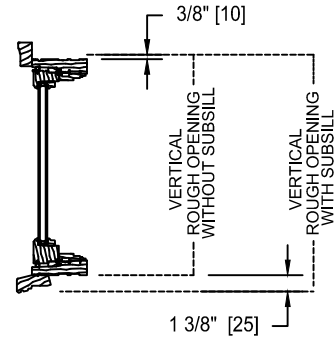
MASONRY OPENING:
MASONRY OPENING IS ALWAYS 1/2" OVER
THE UNIT SIZE OF THE WINDOW

ROUGH OPENING:

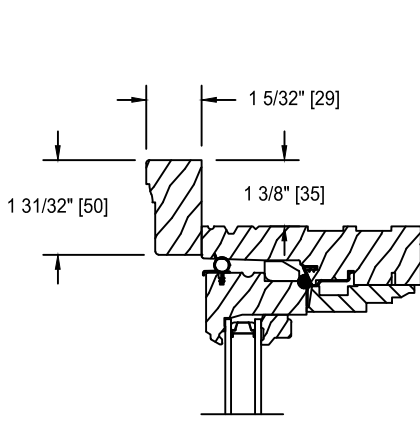
ROUGH OPENING IS ALWAYS 3/4" OVER
FRAME SIZE OF THE WINDOW



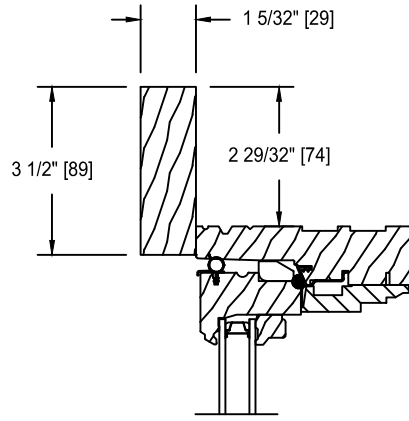
EXCEPTION: SEE DRAWING BELOW



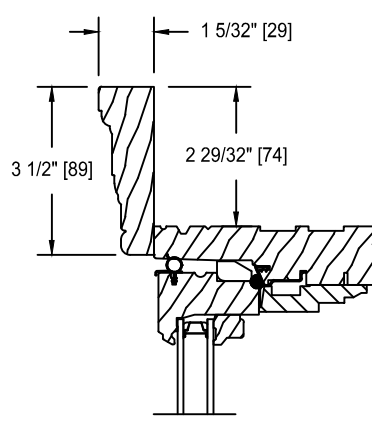
TRIM OPTIONS



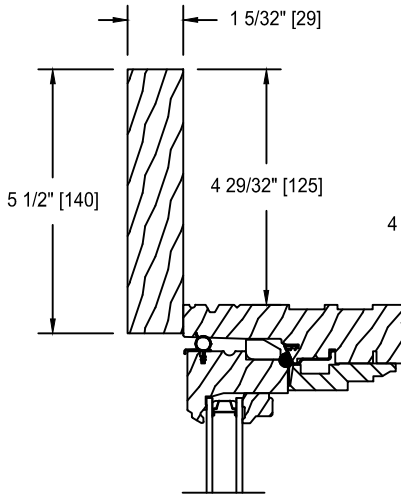
BRICKMOULD



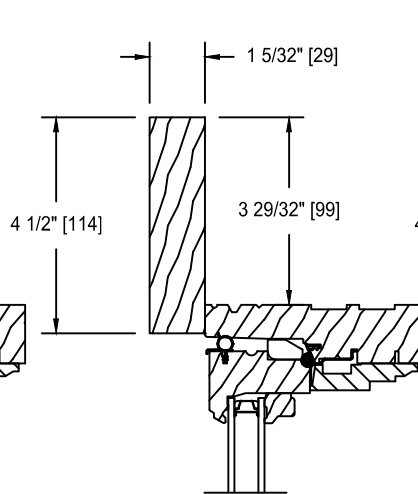
3 1/2"
FLAT CASING



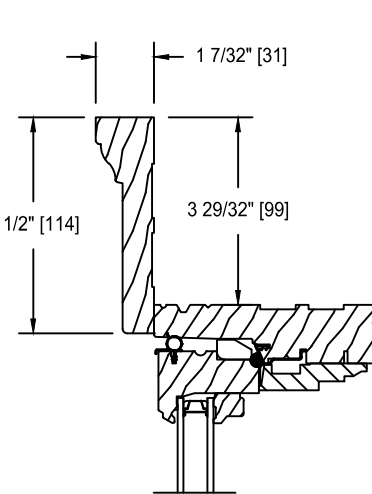
ADAMS
CASING



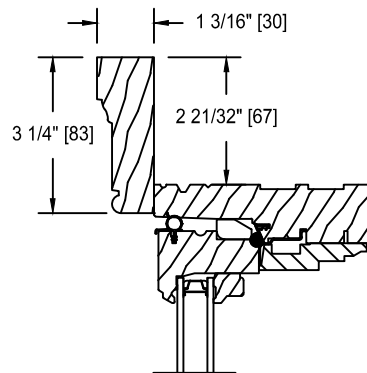
5 1/2"
FLAT CASING



4 1/2"
FLAT CASING

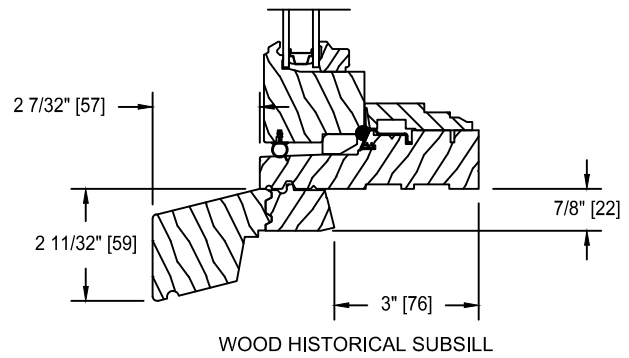
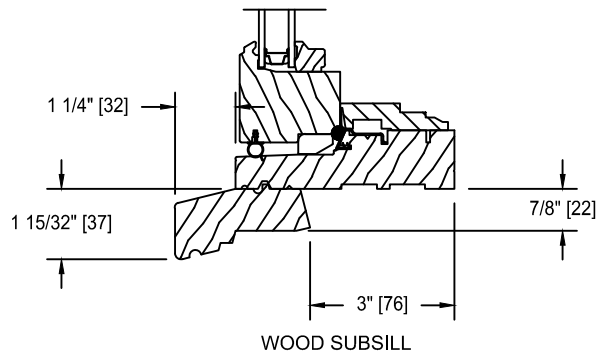


1 X 4
BACKBAND CASING



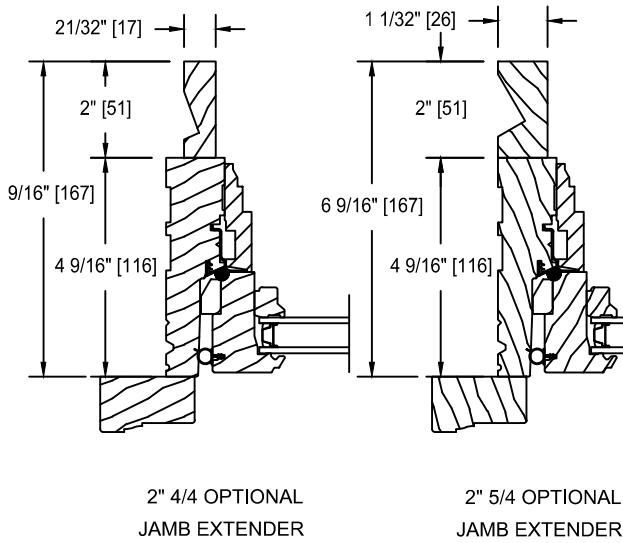
HERITAGE

SILL OPTIONS

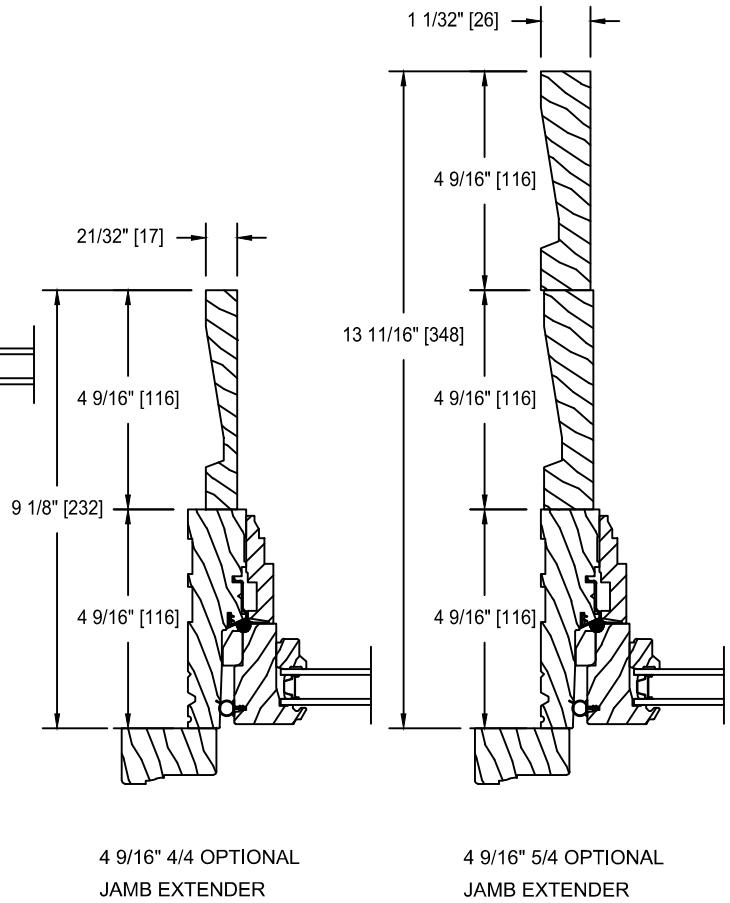


JAMB OPTIONS &
STUCCO TRIM OPTIONS

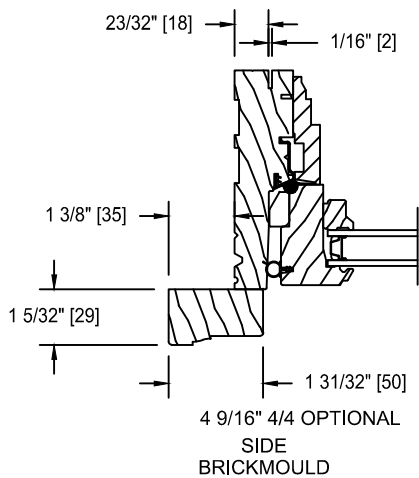
JAMB EXTENDER OPTIONS



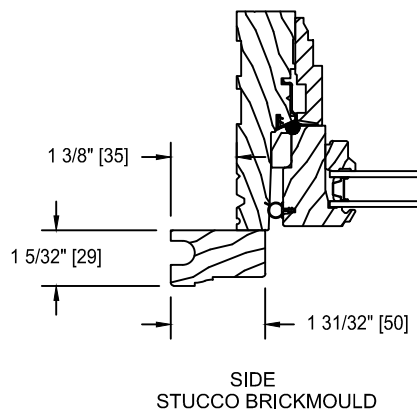
MAXIMUM JAMB WIDTHS

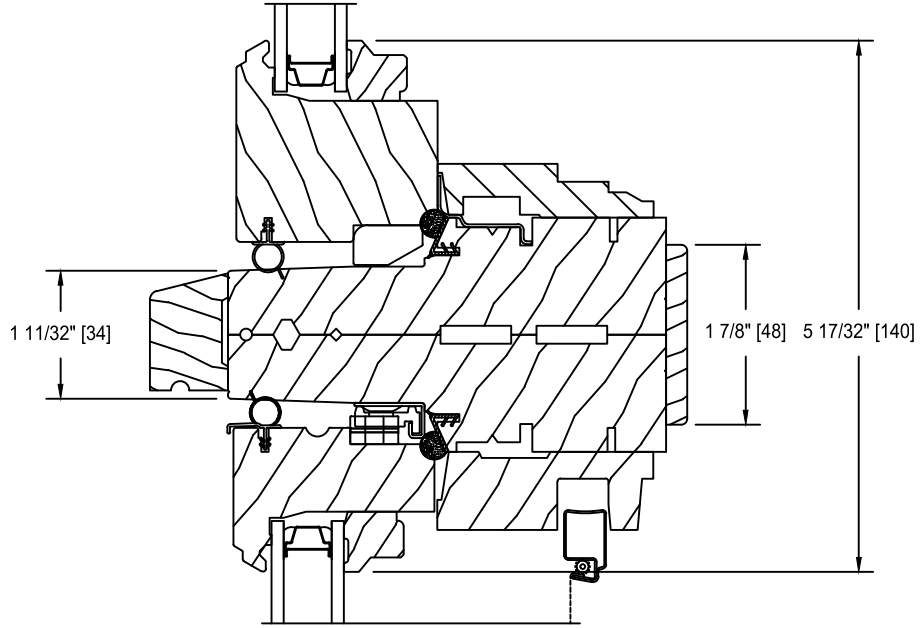


RETURN KERF OPTION

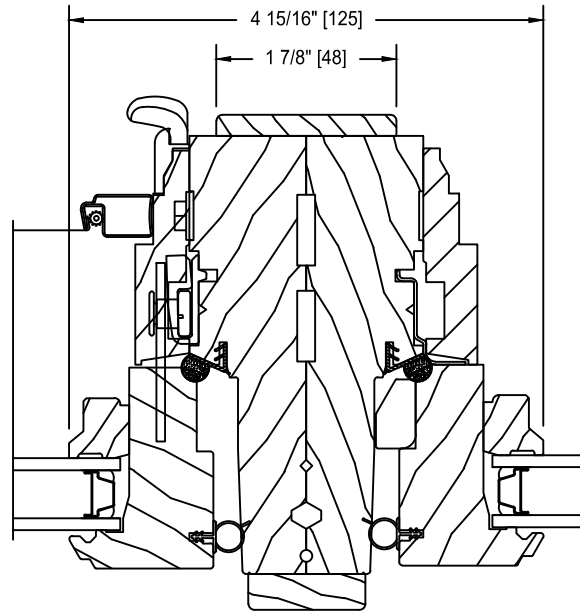


STUCCO TRIM OPTION



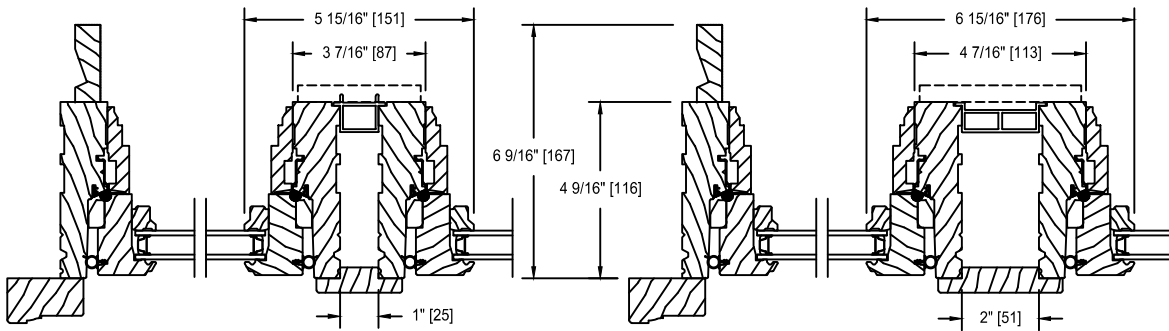
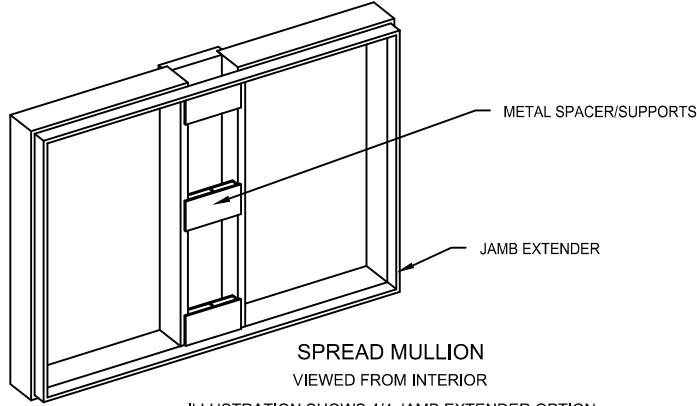


HEAD/SILL



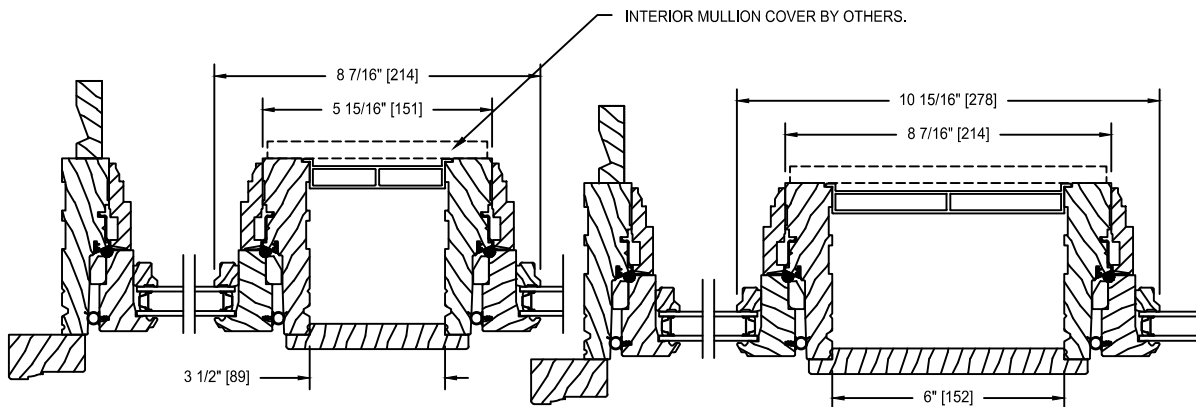
SIDE JAMB

SPREAD MULLION DETAILS



1" SPREAD MULLION

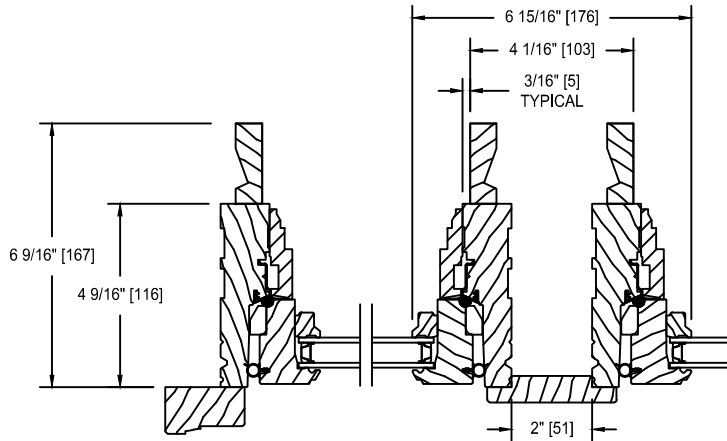
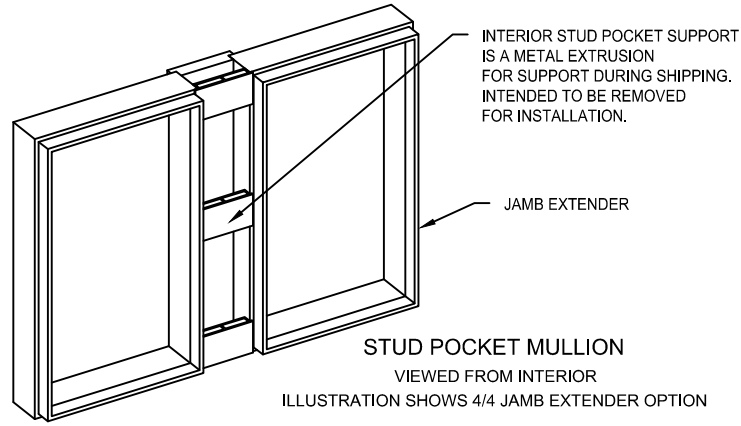
2" SPREAD MULLION



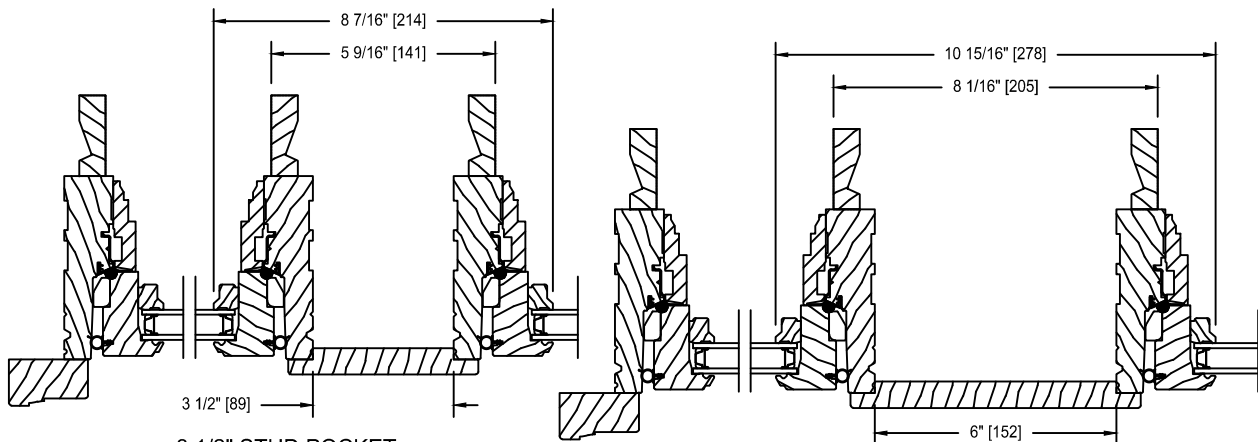
3 1/2" SPREAD MULLION

6" SPREAD MULLION

STUD POCKET DETAILS

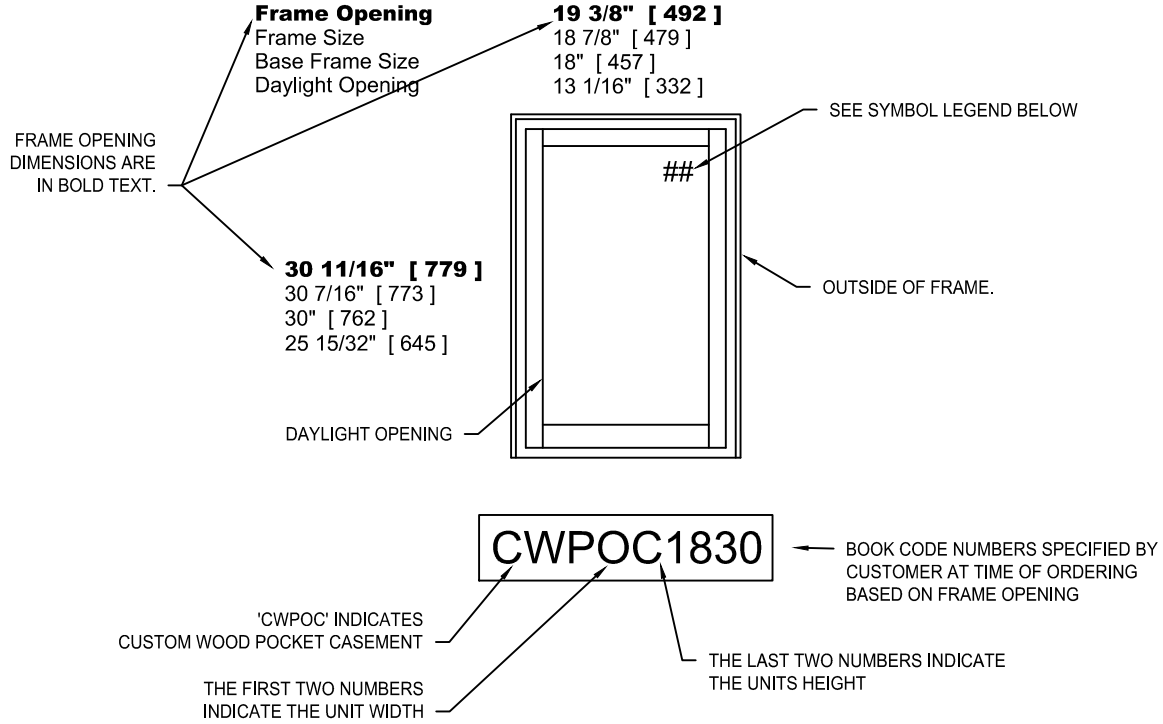


2" STUD POCKET



ELEVATION NOTES
POCKET CASEMENT

ELEVATION DRAWINGS UTILIZE A LIMITED NUMBER OF PROJECTED LINES TO PRODUCE A RUDIMENTARY DRAWING INTENDED TO BE USED IN A SMALL GRAPHICAL SCALE. ELEVATIONS ARE VIEWED PERPENDICULAR FROM THE EXTERIOR OF THE STRUCTURE. IF MORE DIMENSIONS ARE NEEDED, USE THE SECTION DRAWINGS FOR MORE COMPLETE DEPICTIONS.



Note: There are no standard sizes; all windows are dimensional.
Illustration above for information purposes only.

GENERAL POCKET CASEMENT NOTES

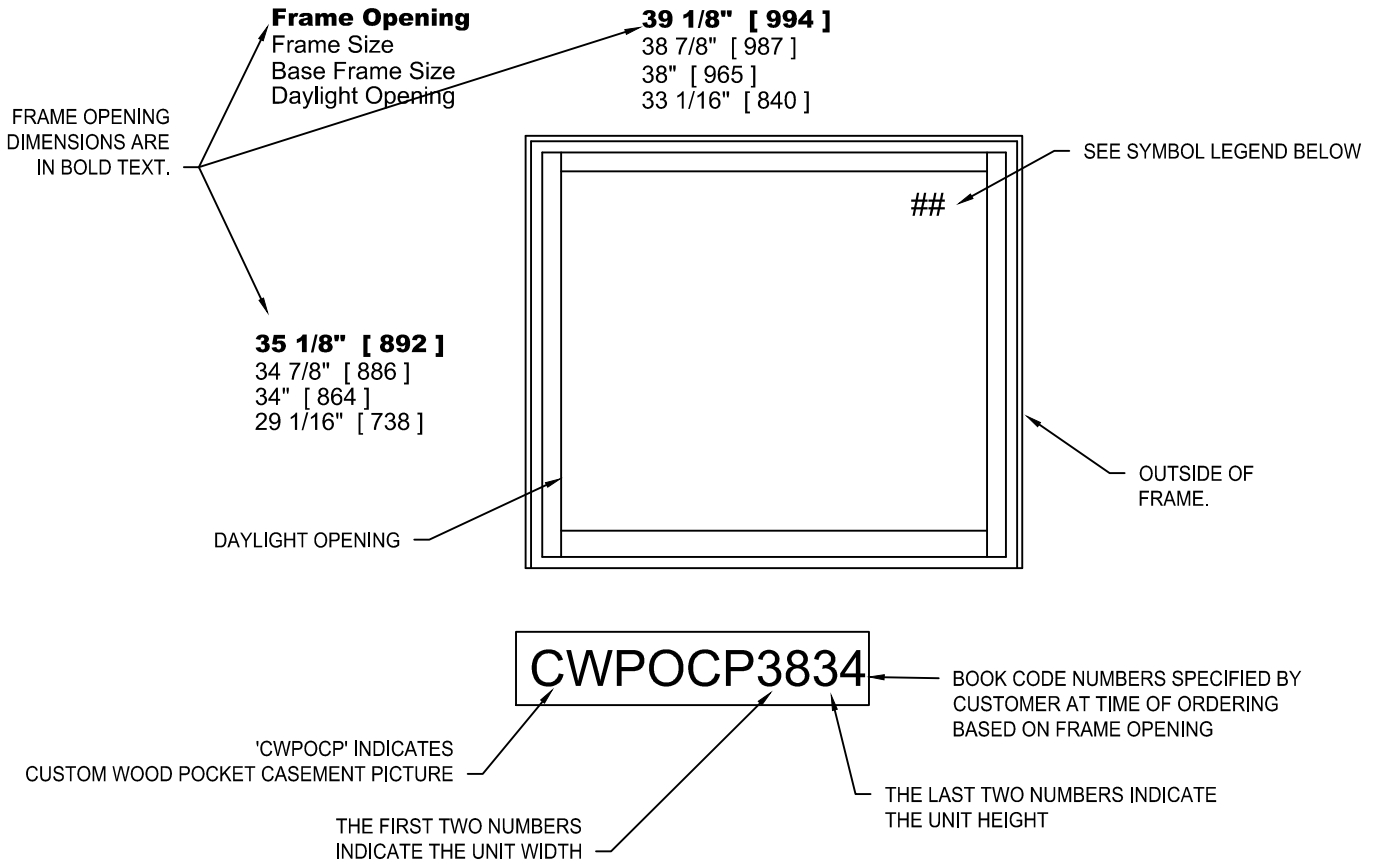
1. CUSTOM WOOD POCKET CASEMENT (CWPOC) UNITS ARE AVAILABLE AS OPERATING OR FIXED UNITS.
2. 'CWPOC' IN A BOOK CODE DENOTES THE UNIT IS A WOOD CASEMENT PICTURE (FIXED) UNIT.
3. UNIT ELEVATIONS ARE SHOWN WITH BRICKMOULD AND SUBSILL.
4. OPERATING UNITS ARE AVAILABLE AS LEFT OR RIGHT HAND OPERATION.
5. DIMENSIONAL VALUES IN BRACKETS ARE MILLIMETER CONVERSIONS.
6. ALL GLASS SIZES ARE NOMINAL.

ELEVATION SYMBOL LEGEND:

- E** BASIC UNIT CLEAR OPENING EXCEEDS 20" IN WIDTH, 24" IN HEIGHT & A MINIMUM OF 5.7 SQ. FT.
- E*** BASIC UNIT CLEAR OPENING REQUIRES EGRESS HINGES TO EXCEED 20" IN WIDTH, 24" IN HEIGHT & A MINIMUM OF 5.7 SQ. FT.
- E1** BASIC UNIT CLEAR OPENING EXCEEDS 20" IN WIDTH, 24" IN HEIGHT & A MINIMUM OF 5.0 SQ. FT.
- S** STATIONARY UNIT
- ##** NUMBER INDICATES PERFORMANCE GRADE (PG) RATING WITH STANDARD GLAZING. OPERATING UNITS UTILIZE THE R65 LOCKING SYSTEM FOR DP RATINGS.

ELEVATION NOTES
POCKET CASEMENT PICTURE

ELEVATION DRAWINGS UTILIZE A LIMITED NUMBER OF PROJECTED LINES TO PRODUCE A RUDIMENTARY DRAWING INTENDED TO BE USED IN A SMALL GRAPHICAL SCALE. ELEVATIONS ARE VIEWED PERPENDICULAR FROM THE EXTERIOR OF THE STRUCTURE. IF MORE DIMENSIONS ARE NEEDED, USE THE SECTION DRAWINGS FOR MORE COMPLETE DEPICTIONS.



Note: There are no standard sizes; all windows are dimensional.
Illustration above for information purposes only.

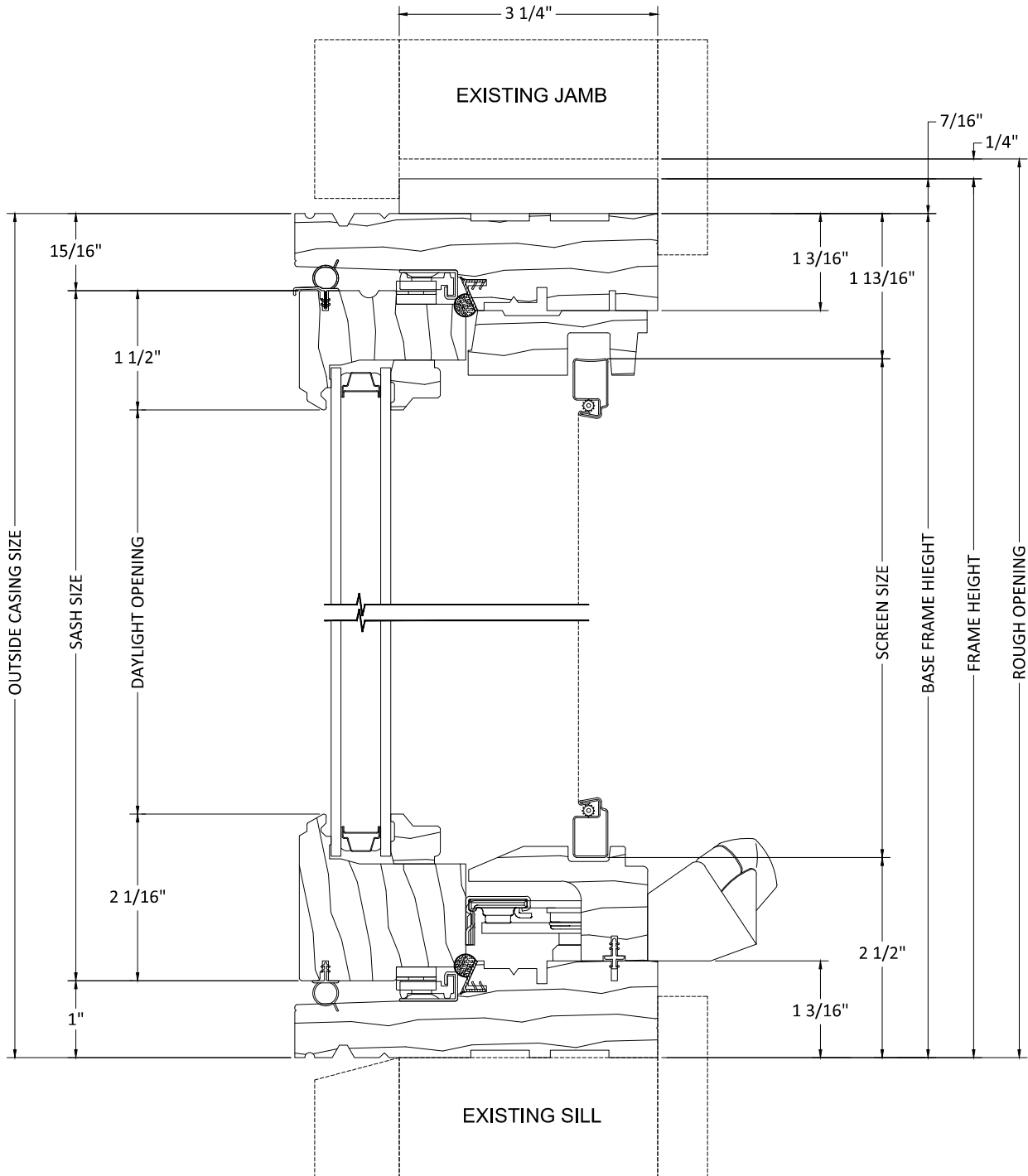
GENERAL POCKET CASEMENT NOTES

1. (CWPOCP) IN A BOOK CODE DENOTES THAT THE UNIT IS A CUSTOM WOOD POCKET CASEMENT PICTURE (FIXED) UNIT.
2. UNIT ELEVATIONS ARE SHOWN WITH BRICKMOULD AND SUBSILL.
3. DIMENSIONAL VALUES IN BRACKETS ARE MILLIMETER CONVERSIONS.
4. ALL GLASS SIZES ARE NOMINAL.

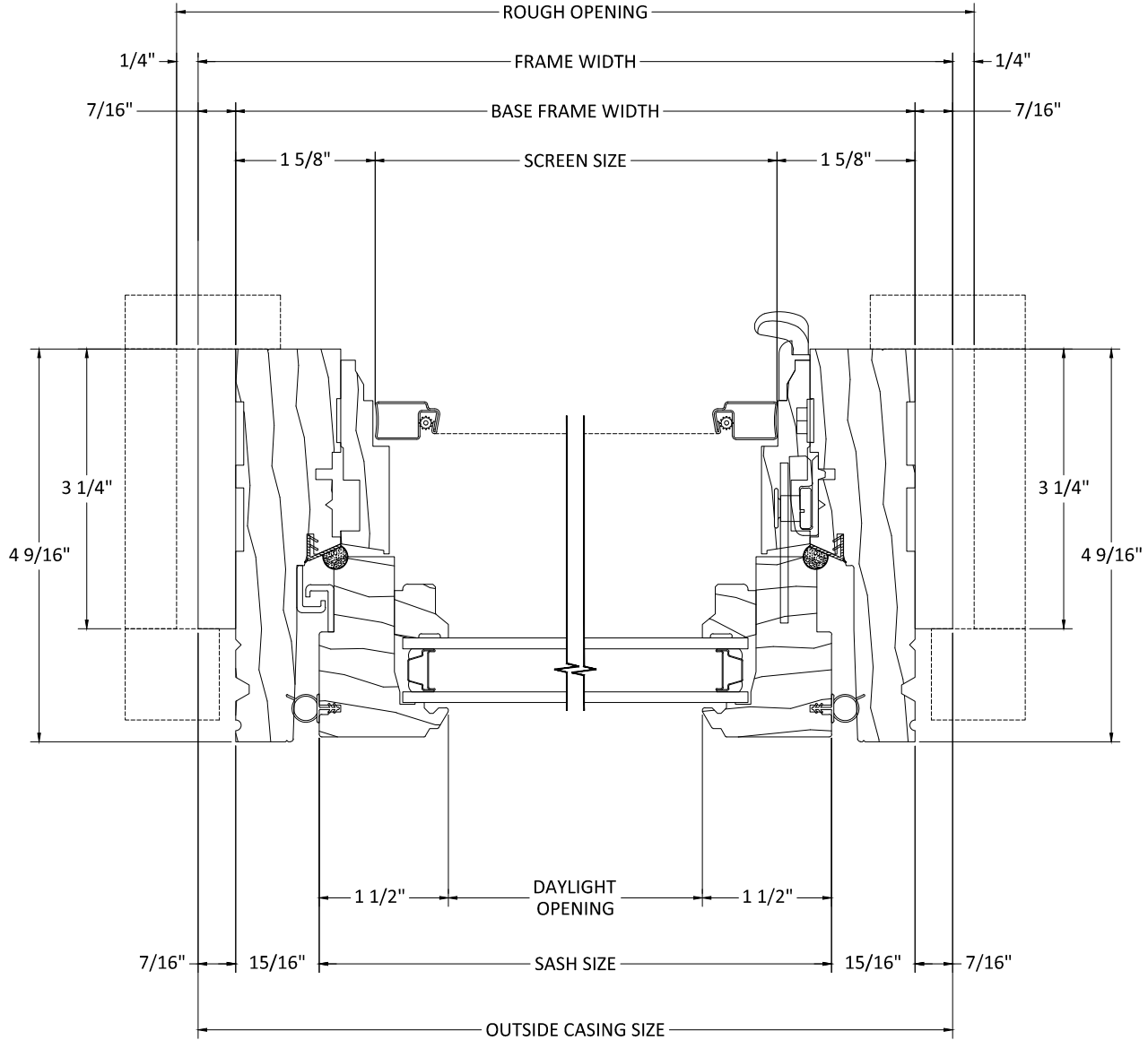
ELEVATION SYMBOL LEGEND:

NUMBER INDICATES PERFORMANCE GRADE (PG) RATING WITH STANDARD GLAZING. OPERATING UNITS UTILIZE A CONCEALED LOCKING SYSTEM FOR DP RATINGS.

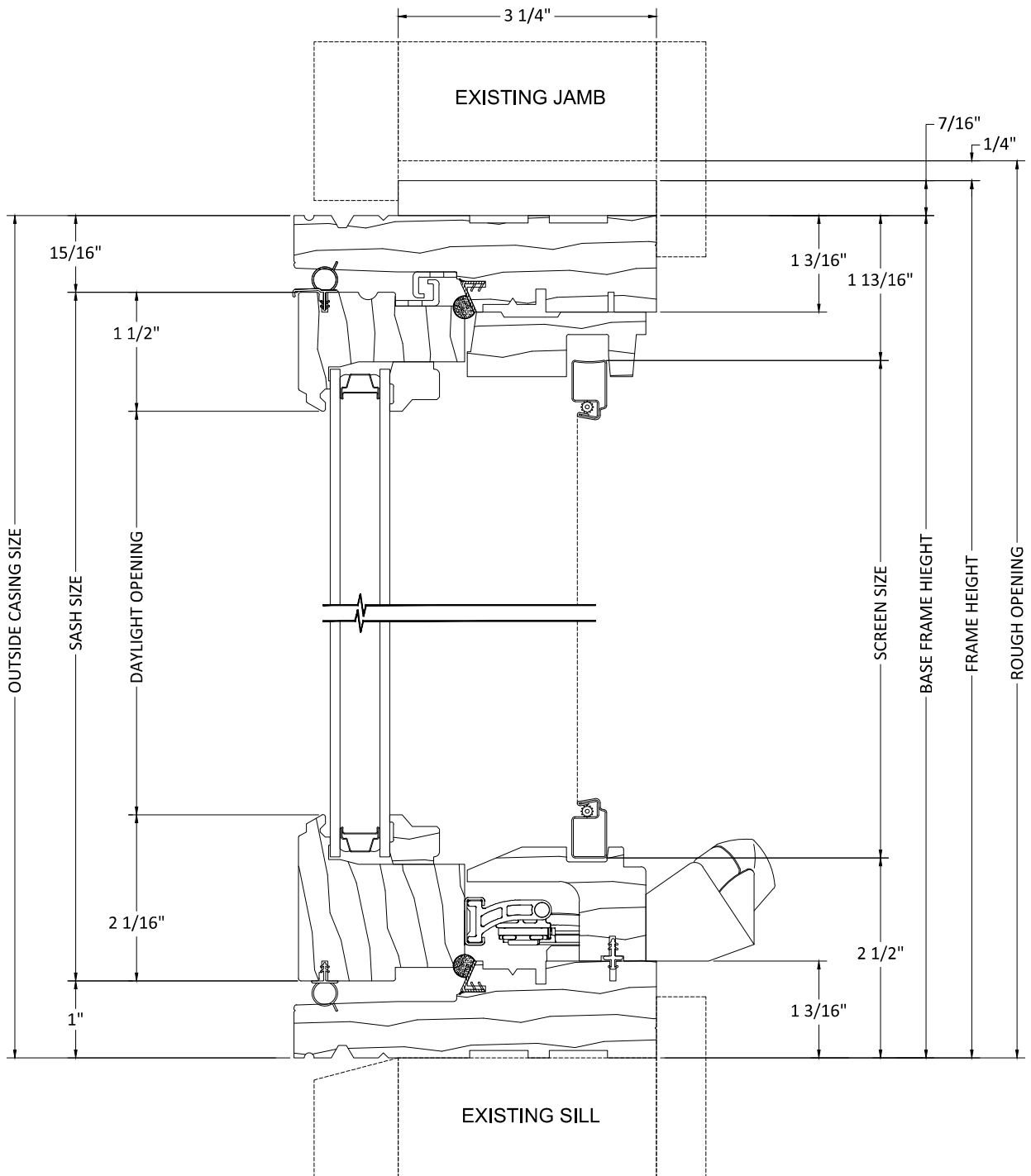
VERTICAL SECTION
OPERATING UNIT



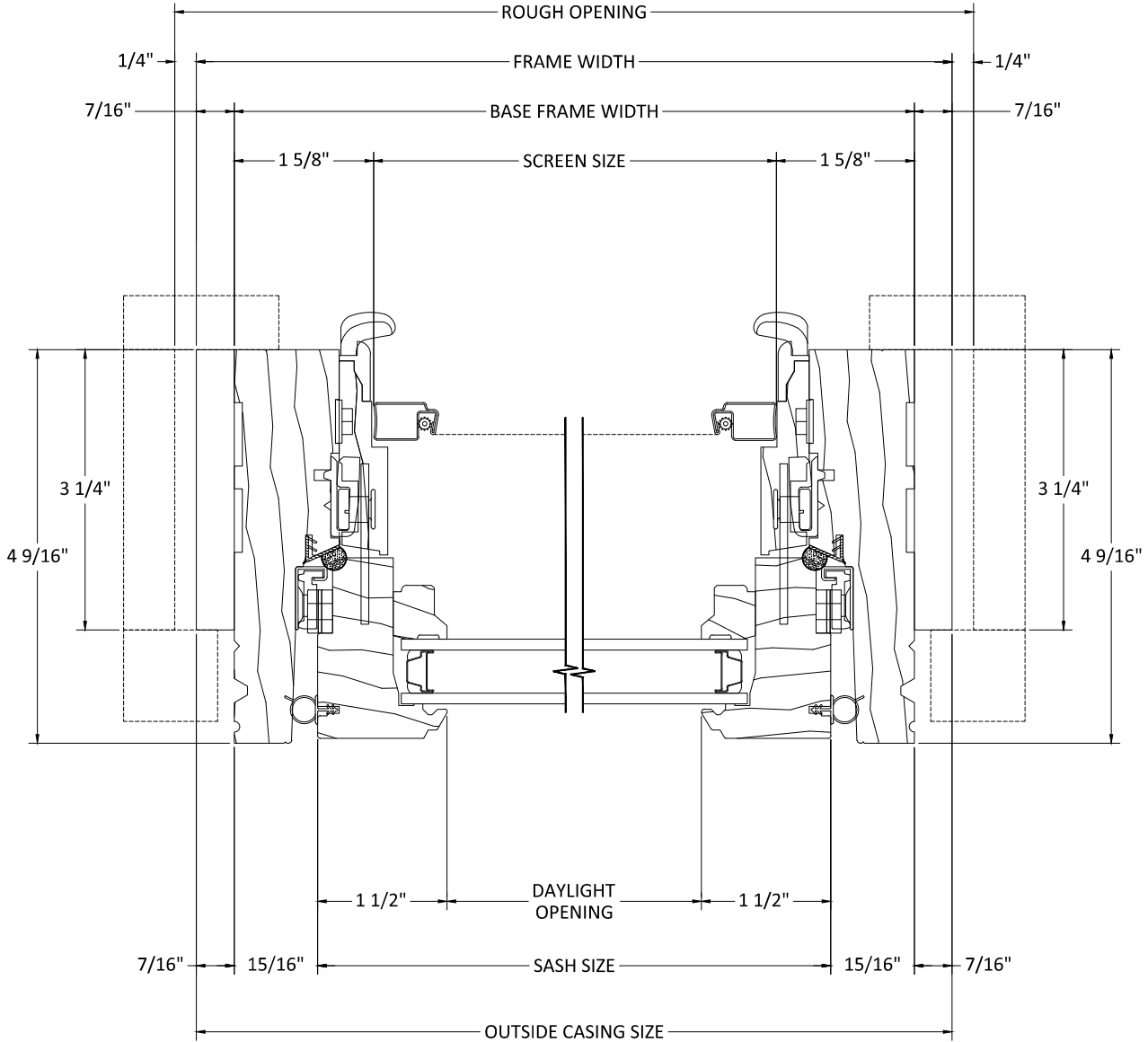
HORIZONTAL SECTION
OPERATING UNIT



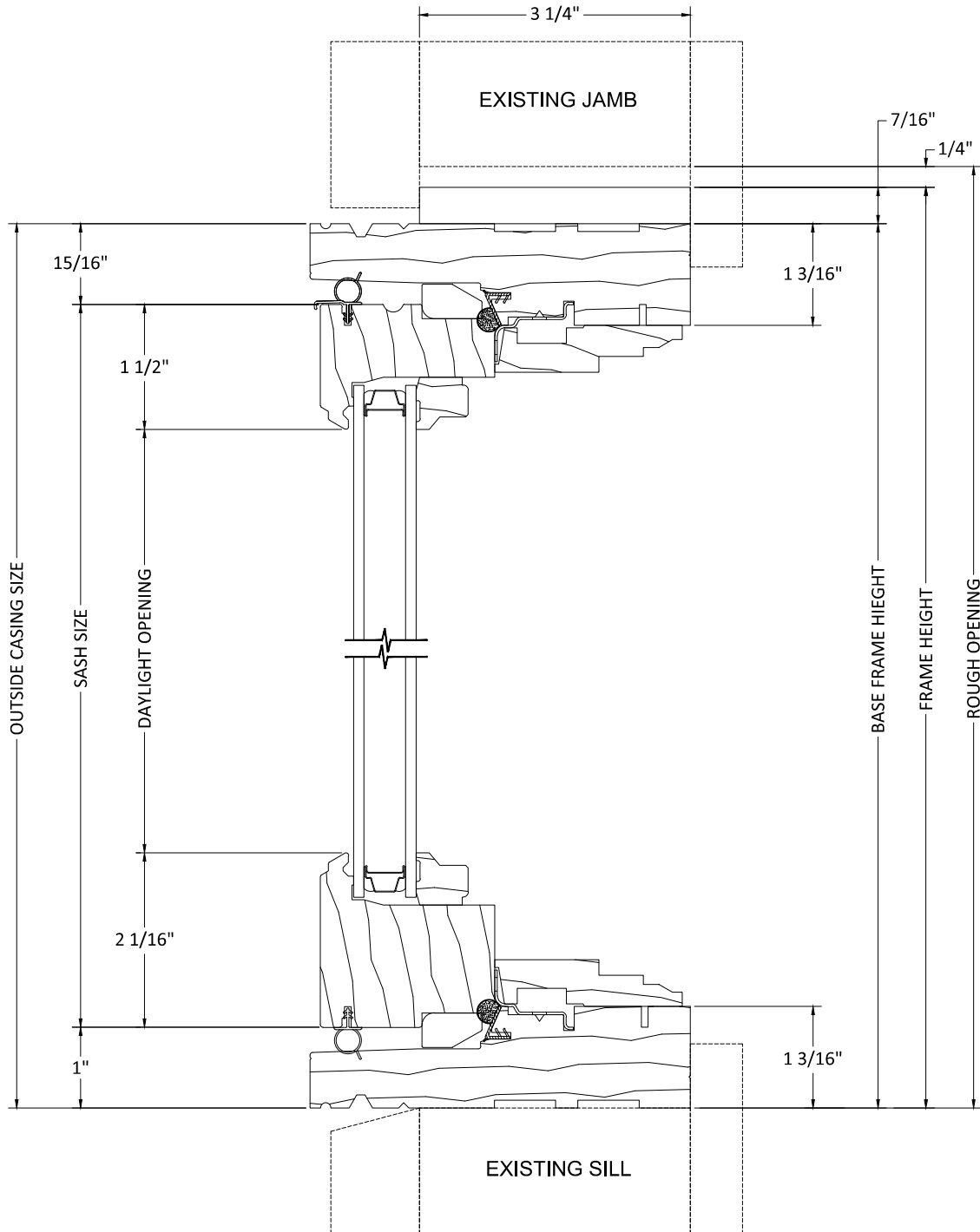
VERTICAL SECTION
OPERATING UNIT



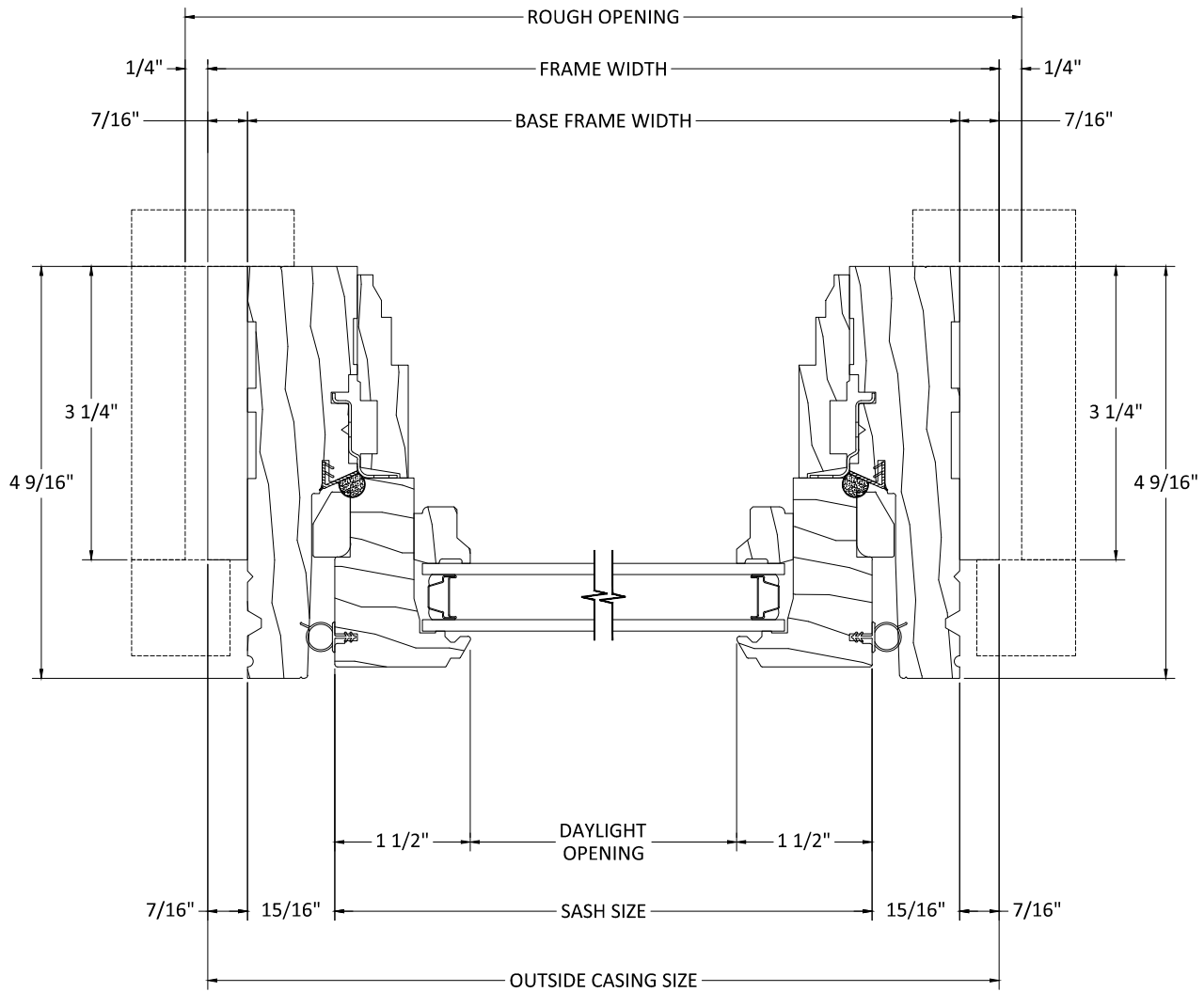
HORIZONTAL SECTION
OPERATING UNIT



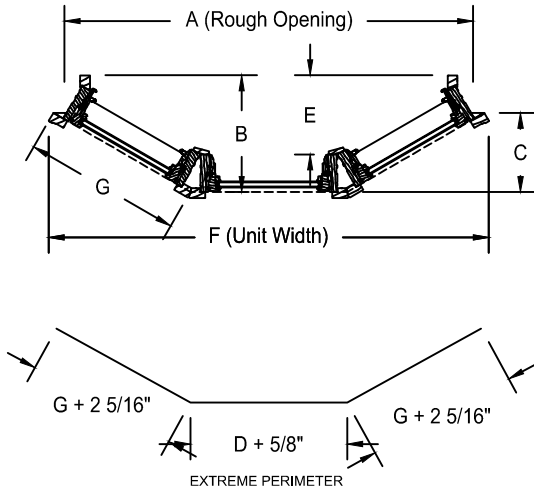
VERTICAL SECTION
PICTURE UNIT



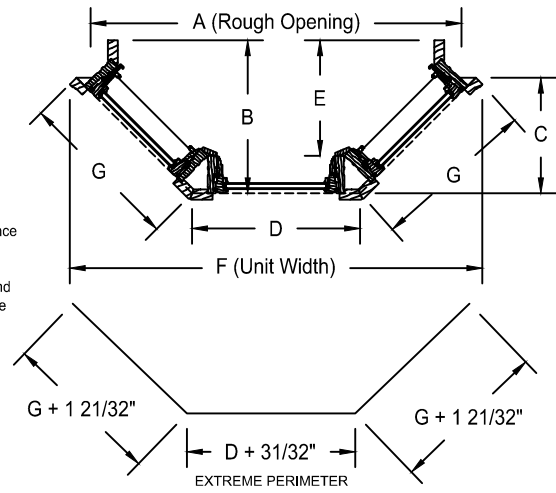
HORIZONTAL SECTION
PICTURE UNIT



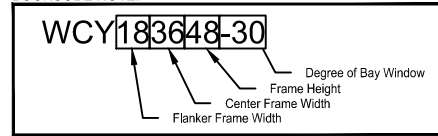
BAY WINDOW HORIZONTAL SPECIFICATION TABLES



EXTREME PERIMETER
Extreme Perimeter is the distance around the face of the bay, beginning at the exterior sheathing and continuing around the assembly along the extreme face of the brickmould.



BOOKCODE NOTE:



30° BAY									
Flanker Width	Center Width	A Rough Opening	F Unit Width	B Overall Projection*	C Projection Exterior Wall	E Seating Depth*	D Outside Mull To Mull	G Outside Mull To Unit	
18	18	53 3/4	57 9/32	14 1/16	10 5/16	10 5/16	20 7/16	20 19/32	
18	36	71 3/4	75 9/32	14 1/16	10 5/16	10 5/16	38 7/16	20 19/32	
18	42	77 3/4	81 9/32	14 1/16	10 5/16	10 5/16	44 7/16	20 19/32	
18	48	83 3/4	87 9/32	14 1/16	10 5/16	10 5/16	50 7/16	20 19/32	
18	60	95 3/4	99 9/32	14 1/16	10 5/16	10 5/16	62 7/16	20 19/32	
18	72	107 3/4	111 9/32	14 1/16	10 5/16	10 5/16	74 7/16	20 19/32	

45° BAY									
Flanker Width	Center Width	A Rough Opening	F Unit Width	B Overall Projection*	C Projection Exterior Wall	E Seating Depth*	D Outside Mull To Mull	G Outside Mull To Unit	
18	18	48 3/4	53 1/2	19 5/8	15 1/16	15 1/16	21 25/32	21 9/32	
18	36	66 3/4	71 1/2	19 5/8	15 1/16	15 1/16	39 25/32	21 9/32	
18	42	72 3/4	77 1/2	19 5/8	15 1/16	15 1/16	45 25/32	21 9/32	
18	48	78 3/4	83 1/2	19 5/8	15 1/16	15 1/16	51 25/32	21 9/32	
18	60	90 3/4	95 1/2	19 5/8	15 1/16	15 1/16	63 25/32	21 9/32	
18	72	102 3/4	107 1/2	19 5/8	15 1/16	15 1/16	75 25/32	21 9/32	

24	24	70 1/8	73 11/16	17 1/16	13 5/16	13 5/16	26 7/16	26 19/32	
24	36	82 1/8	85 11/16	17 1/16	13 5/16	13 5/16	38 7/16	26 19/32	
24	42	88 1/8	91 11/16	17 1/16	13 5/16	13 5/16	44 7/16	26 19/32	
24	48	94 1/8	97 11/16	17 1/16	13 5/16	13 5/16	50 7/16	26 19/32	
24	60	106 1/8	109 11/16	17 1/16	13 5/16	13 5/16	62 7/16	26 19/32	
24	72	118 1/8	121 11/16	17 1/16	13 5/16	13 5/16	74 7/16	26 19/32	

24	24	63 1/4	68	23 1/16	19 5/16	19 5/16	27 25/32	27 9/32	
24	36	75 1/4	80	23 1/16	19 5/16	19 5/16	39 25/32	27 9/32	
24	42	81 1/4	86	23 1/16	19 5/16	19 5/16	45 25/32	27 9/32	
24	48	87 1/4	92	23 1/16	19 5/16	19 5/16	51 25/32	27 9/32	
24	60	99 1/4	104	23 1/16	19 5/16	19 5/16	63 25/32	27 9/32	
24	72	111 1/4	116	23 1/16	19 5/16	19 5/16	75 25/32	27 9/32	

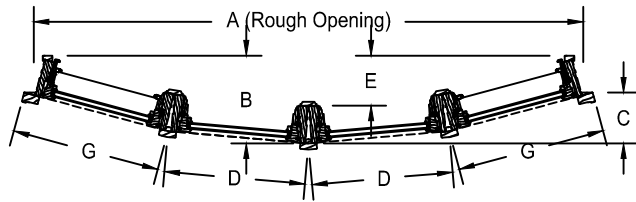
28	28	81 1/16	84 19/32	19 1/16	15 5/16	15 5/16	30 7/16	30 19/32	
28	36	89 1/16	92 19/32	19 1/16	15 5/16	15 5/16	38 7/16	30 19/32	
28	42	95 1/16	98 19/32	19 1/16	15 5/16	15 5/16	44 7/16	30 19/32	
28	48	101 1/16	104 19/32	19 1/16	15 5/16	15 5/16	50 7/16	30 19/32	
28	60	113 1/16	116 19/32	19 1/16	15 5/16	15 5/16	62 7/16	30 19/32	
28	72	125 1/16	128 19/32	19 1/16	15 5/16	15 5/16	74 7/16	30 19/32	

28	28	72 7/8	77 21/32	26 11/16	22 1/8	22 1/8	31 25/32	31 9/32	
28	36	80 7/8	85 21/32	26 11/16	22 1/8	22 1/8	39 25/32	31 9/32	
28	42	86 7/8	91 21/32	26 11/16	22 1/8	22 1/8	45 25/32	31 9/32	
28	48	92 7/8	97 21/32	26 11/16	22 1/8	22 1/8	51 25/32	31 9/32	
28	60	104 7/8	109 21/32	26 11/16	22 1/8	22 1/8	63 25/32	31 9/32	
28	72	116 7/8	121 21/32	26 11/16	22 1/8	22 1/8	75 25/32	31 9/32	

4 9/16 and 6 9/16 WALL APPLICATION

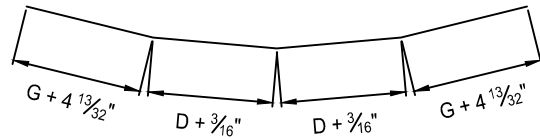
The tables above reflect a 4 9/16" wall application. To convert to 6 9/16" wall application add 2" to the figures in the columns which show an asterisk (*), B and E.

BAY WINDOW HORIZONTAL SPECIFICATION TABLES

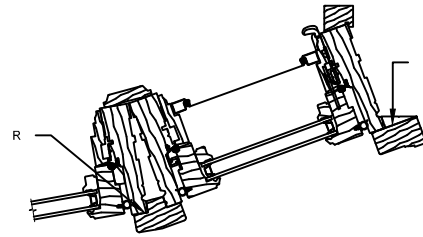
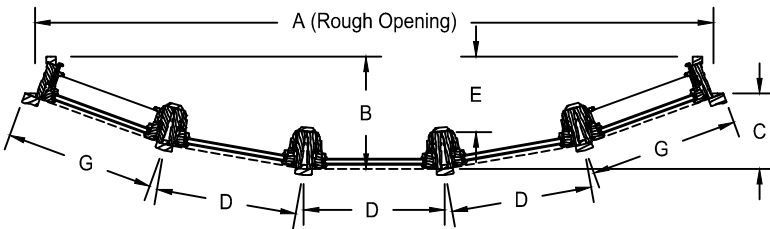


EXTREME PERIMETER
Extreme Perimeter is the distance around the face of the bow, beginning at the exterior sheathing and continuing around the assembly along the extreme face of the brickmould.

4 WIDE BOW								
Flanker Width	A Rough Opening	F Unit Width	B* Overall Projection	C Projection Exterior Wall	E* Seating Depth	D Outside Mull To Mull	G Outside Mull To Unit	R Radius
18	73 9/16	76 15/64	11 21/64	6 49/64	6 49/64	18 13/16	19 25/32	107 15/16
24	97 1/8	99 25/32	13 25/64	8 53/64	8 53/64	24 13/16	25 25/32	142 3/8
28	112 13/16	115 15/32	14 25/32	10 7/32	10 7/32	28 13/16	29 25/32	165 5/16

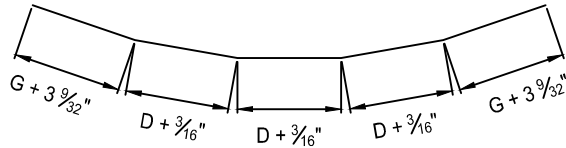


EXTREME PERIMETER

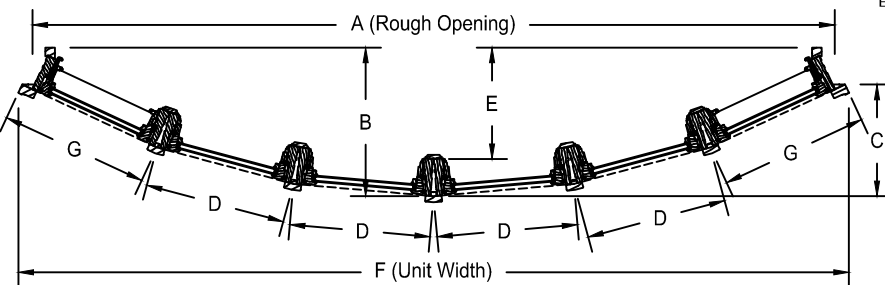


RADIUS NOTE: The Radius of a Bow Window is referenced from the interior of the Brickmould.

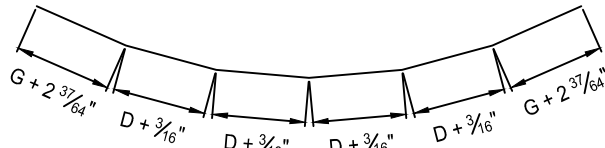
5 WIDE BOW								
Flanker Width	A Rough Opening	F Unit Width	B* Overall Projection	C Projection Exterior Wall	E* Seating Depth	D Outside Mull To Mull	G Outside Mull To Unit	R Radius
18	90 7/8	93 25/32	14 19/32	10 1/32	10 1/32	18 13/16	19 25/32	107 15/16
24	119 15/16	122 1/16	17 11/16	13 1/8	13 1/8	24 13/16	25 25/32	142 3/8
28	139 5/16	142 17/64	19 3/4	15 3/16	15 3/16	28 13/16	29 25/32	165 5/16



EXTREME PERIMETER



6 WIDE BOW								
Flanker Width	A Rough Opening	F Unit Width	B* Overall Projection	C Projection Exterior Wall	E* Seating Depth	D Outside Mull To Mull	G Outside Mull To Unit	R Radius
18	107 3/8	110 39/64	19 27/64	14 55/64	14 55/64	18 13/16	19 25/32	107 15/16
24	141 13/16	145 1/32	24 3/64	19 31/64	19 31/64	24 13/16	25 25/32	142 3/8
28	164 3/4	167 31/32	27 7/64	22 35/64	22 35/64	28 13/16	29 25/32	165 5/16



EXTREME PERIMETER

4 9/16 and 6 9/16 WALL APPLICATION
The tables above reflect a 4 9/16" wall application. To convert to 6 9/16" wall application add 2" to the figures in the columns which show an asterisk (*), B and E.

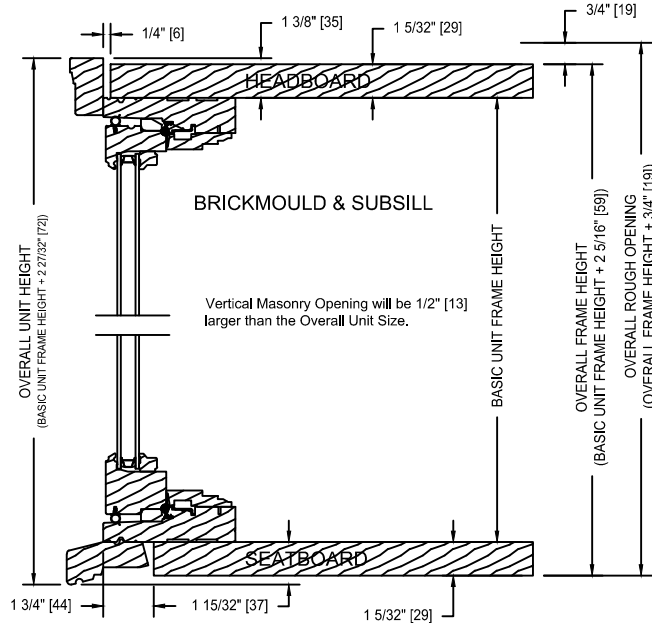
BAY & BOW WINDOW ROUGH OPENINGS

BAY & BOW WINDOW TRIM OPTIONS

The standard offering for wood bay & bow windows is 'frame only', brickmould and subsill, subsill only, and brickmould on all sides. Other trim options subject to approval. Rough & Masonry openings remain consistent with all trim options.

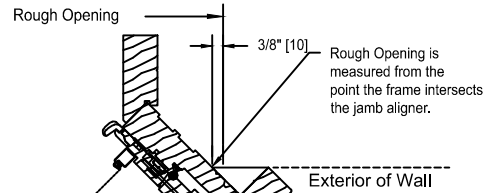
VERTICAL ROUGH OPENING

Rough Opening typical for all Units

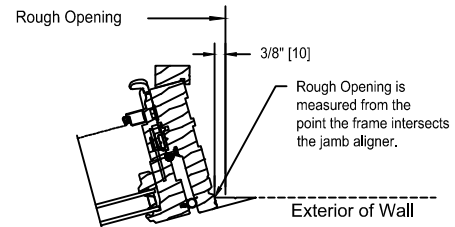


HORIZONTAL ROUGH OPENING

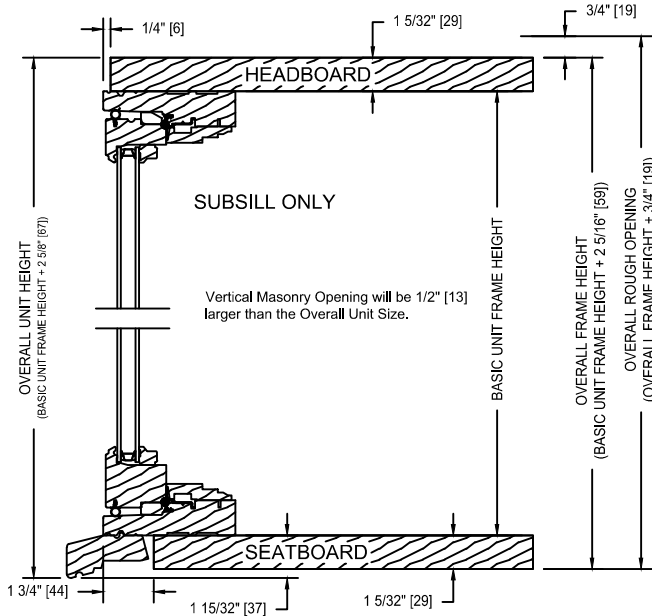
Rough Opening typical for all Units



30° & 45° BAYS
45° Bay Shown
with Brickmould

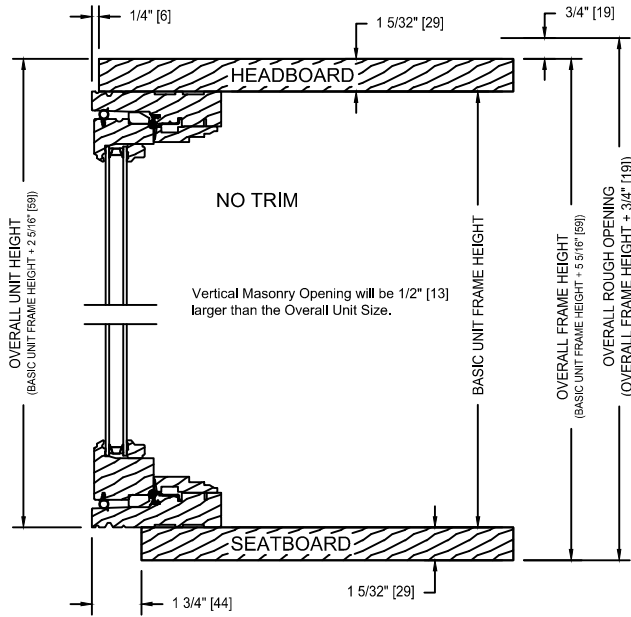


4, 5 & 6 WIDE BOWS
4 Wide Bow Shown
without trim

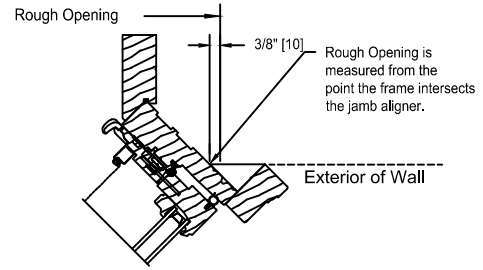


BAY & BOW WINDOW ROUGH OPENINGS

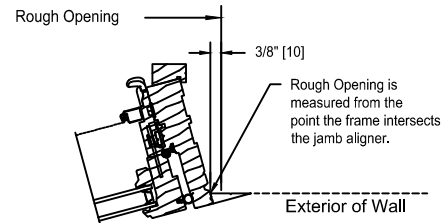
VERTICAL ROUGH OPENING
Rough Opening typical for all Units



HORIZONTAL ROUGH OPENING
Rough Opening typical for all Units



30° & 45° BAYS
45° Bay Shown
with Brickmould



4, 5 & 6 WIDE BOWS
4 Wide Bow Shown
without trim