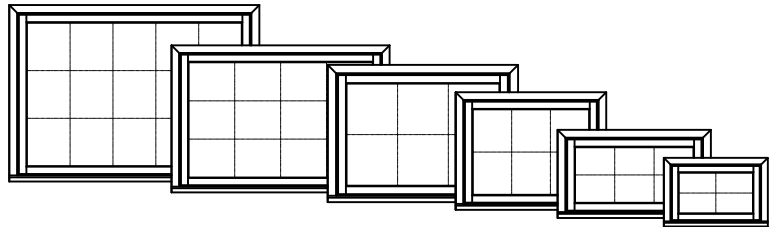
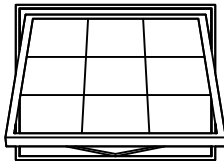

TABLE OF CONTENTS

General Information	4-2
Elevation Notes	4-3
Light Cut Information	4-4
Vent Projections	4-5
Unit Sizing, Rough Openings & Masonry Openings	4-6
Trim Options.	4-7
Glass Stop Options	4-8
Jamb Extender Options	4-9
Mullion Options	4-10
Section Details	4-13
Min-Max Sizing	4-21

GENERAL INFORMATION



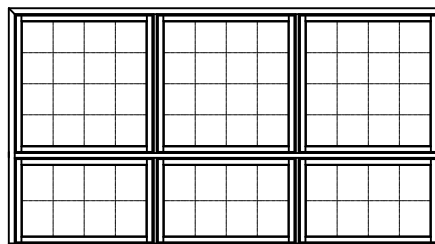
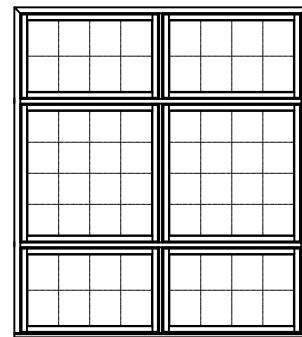
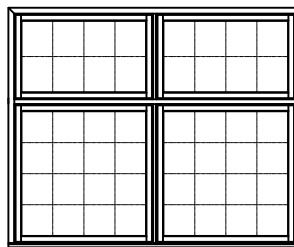
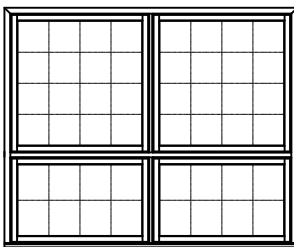
DIMENSIONAL WINDOWS

Wood awning windows may be specified as "dimensional", by adjusting the desired rough opening width or height.

Wood awning windows are available as operating, or stationary (non - venting). Operating mechanism includes corrosion resistant steel hinges and roto type operators for venting units. Sash locks are concealed unison type with an exposed locking lever and escutcheon plate. There are several interior hardware finish options. Refer to the Specifications for finish options.

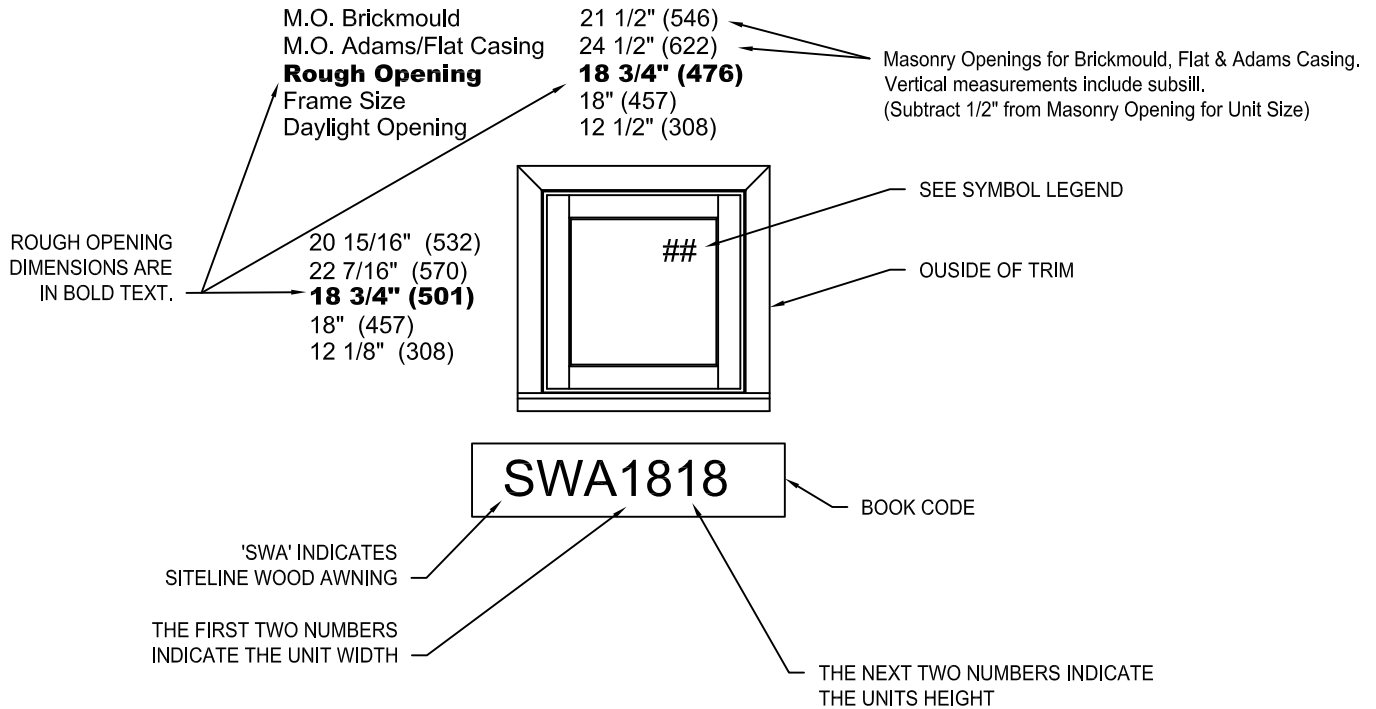
MULTIPLE ASSEMBLIES

Wood awning windows may be mullered above, below, or beside other wood awning windows, or other wood window products.



ELEVATION NOTES

ELEVATION DRAWINGS UTILIZE A LIMITED NUMBER OF PROJECTED LINES TO PRODUCE A RUDIMENTARY DRAWING INTENDED TO BE USED IN A SMALL GRAPHICAL SCALE. ELEVATIONS ARE VIEWED PERPENDICULAR FROM THE EXTERIOR OF THE STRUCTURE. IF MORE DIMENSIONS ARE NEEDED, USE THE SECTION DRAWINGS FOR MORE COMPLETE DEPICTIONS.



GENERAL AWNING NOTES

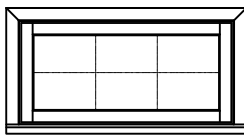
1. SITELINE WOOD AWNING (SWA) UNITS ARE AVAILABLE AS OPERATING OR FIXED UNITS.
2. UNIT ELEVATIONS ARE SHOWN WITH BRICKMOULD AND SUBSILL.
3. DIMENSIONAL VALUES IN BRACKETS ARE MILLIMETER CONVERSIONS.

ELEVATION SYMBOL LEGEND:

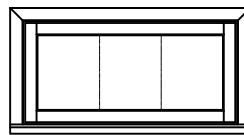
- (F) THESE UNITS ARE ONLY AVAILABLE AS FIXED (STATIONARY) UNITS.
- ## NUMBER INDICATES PERFORMANCE GRADE (PG) RATING WITH STANDARD GLAZING. OPERATING UNITS UTILIZE A CONCEALED LOCKING SYSTEM FOR DP RATINGS.

LITE CUT INFORMATION

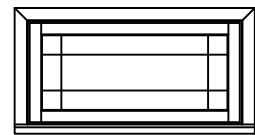
Wood awning windows are available with removable grilles in 7/8", 1-1/8" and 1-3/8" widths, Airspace (between the panes) grilles, and Simulated Divided Lites. Standard lite cuts are rectangular, and conform to the layouts noted in the charts on the next page. To use the chart, refer to the appropriate table by the type of window and type of bars or grilles the section drawings illustrate. Then simply cross reference the frame Height and Width to determine the standard lite cut.



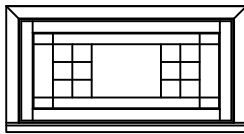
RECTANGULAR



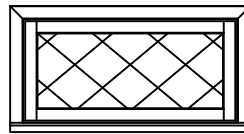
VERTICAL



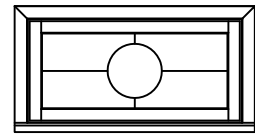
PRAIRIE



UNEVEN



DIAMOND



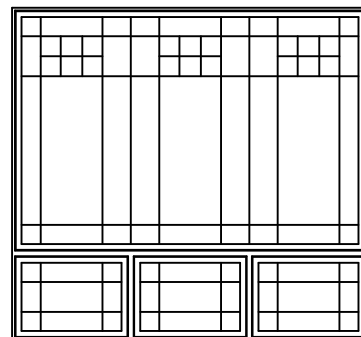
RADIUS

LITE CUT OPTIONS

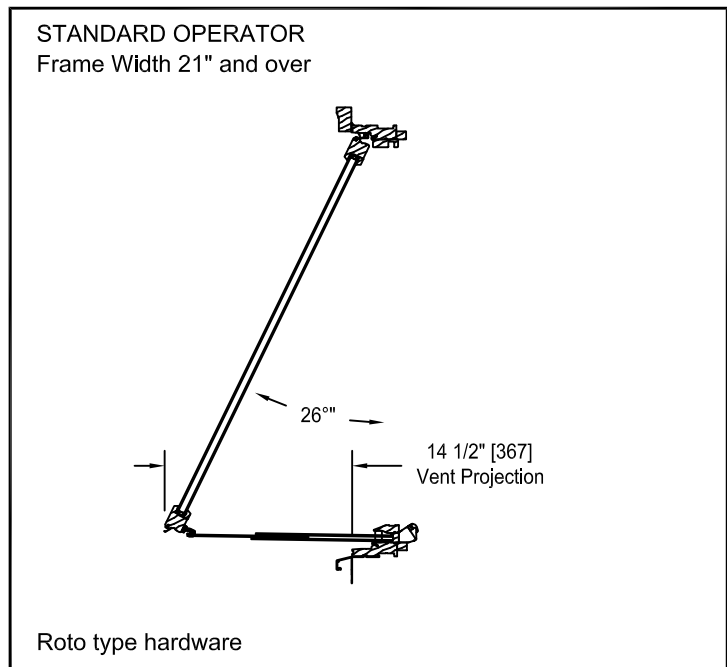
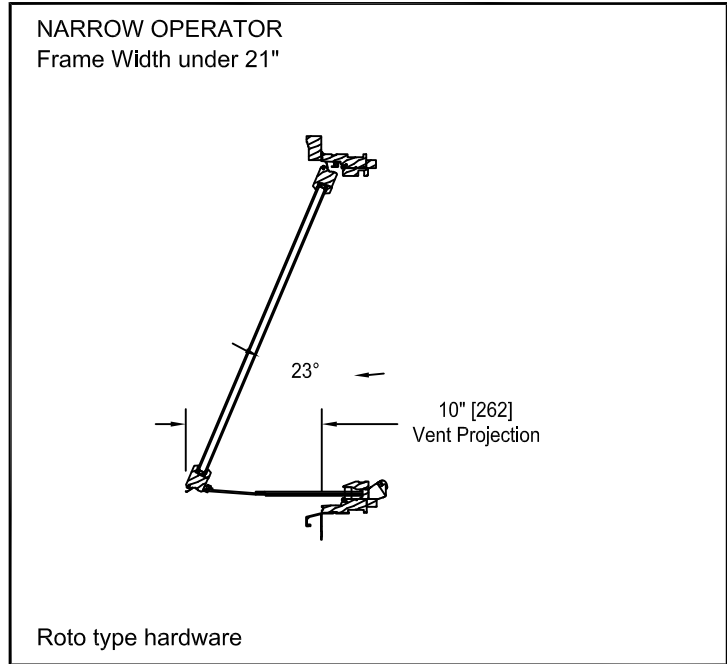
Special lite cut patterns can include a wide variety of straight line and radius patterns. The illustrations shown here represent just a few of the possibilities. Rectangular, horizontal, vertical and Prairie lite patterns are available in all standard size wood casement windows. Uneven, diamond, radius and Gothic lite cuts are available, subject to approval. Approvals are based on the ability to fulfill the design requirement while maintaining the construction integrity of the finished product.

BAR ALIGNMENT

Alignment of divided lite muntin bars from one window to the next is often required by fine architectural design. Wood grilles, Airspace grilles, and Simulated Divided Lites may be specified with muntin bars aligned.



VENT PROJECTIONS



AWNING VENT PROJECTION

The drawings above reflect full operation. Dimensions and angles above are approximate and will vary due to frame height.

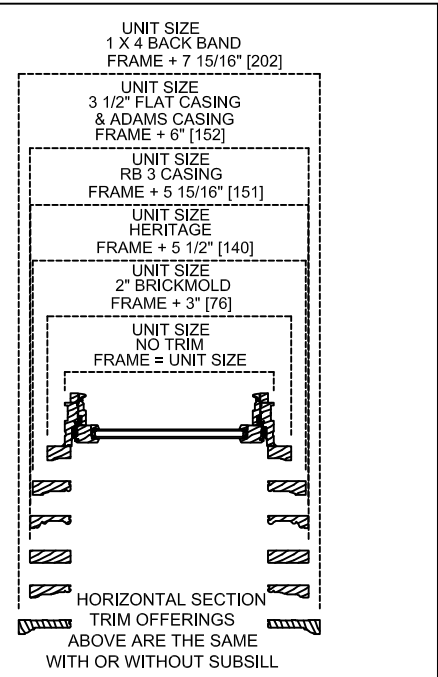
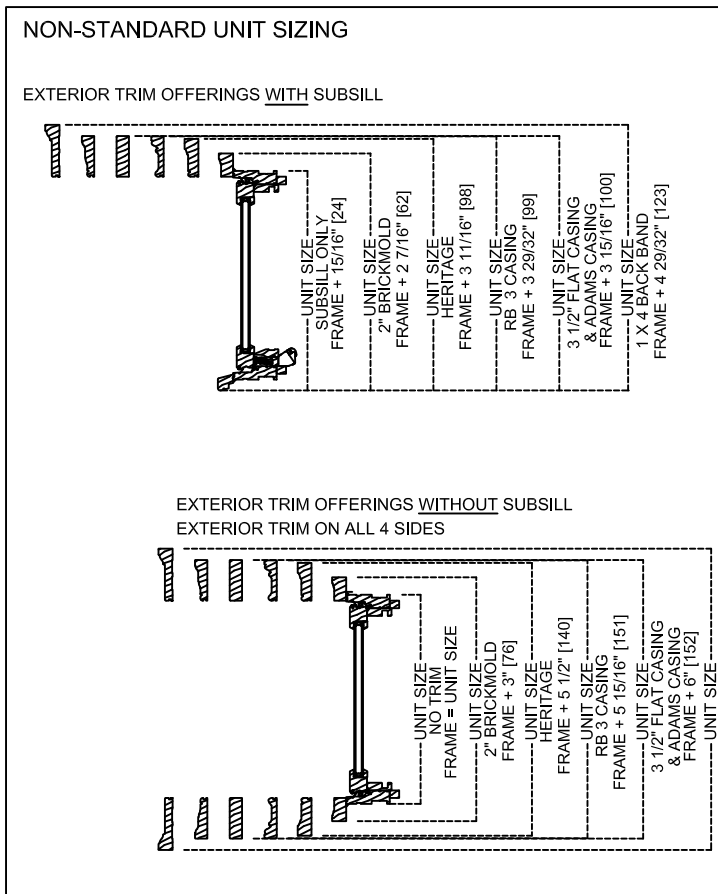
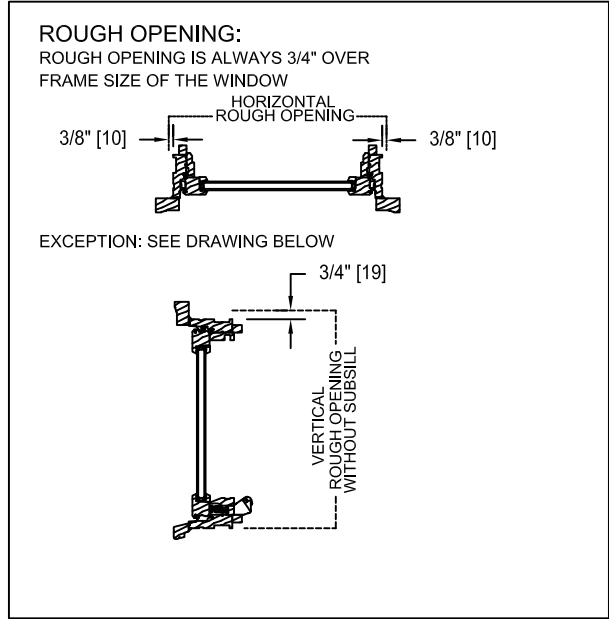
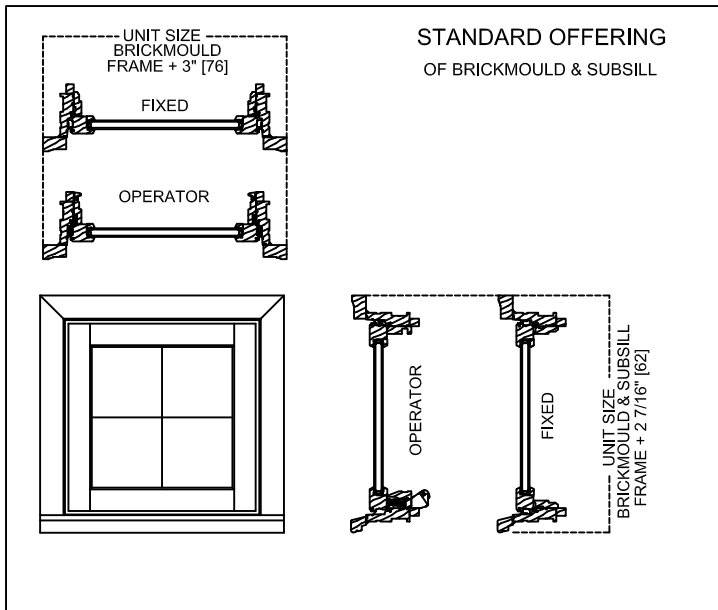
**UNIT SIZING, ROUGH OPENINGS
& MASONRY OPENINGS**

GENERAL NOTES:

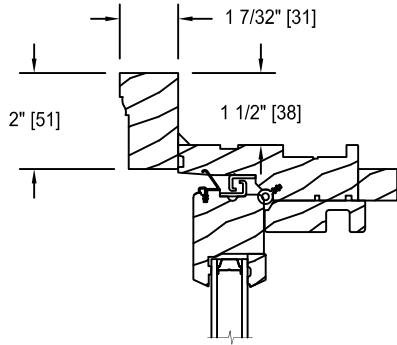
UNIT SIZE IS ALWAYS THE
EXTREME SIZE OF THE WINDOW
WITH OR WITHOUT TRIM AND
DOES NOT INCLUDE NAIL FIN

MASONRY OPENING:

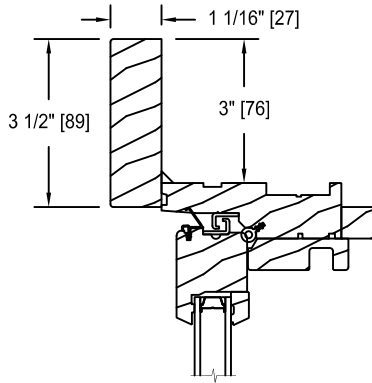
MASONRY OPENING IS ALWAYS 1/2" OVER (HEIGHT AND WIDTH)
THE UNIT SIZE OR THE OUTSIDE EDGE OF THE TRIM
OF THE WINDOW



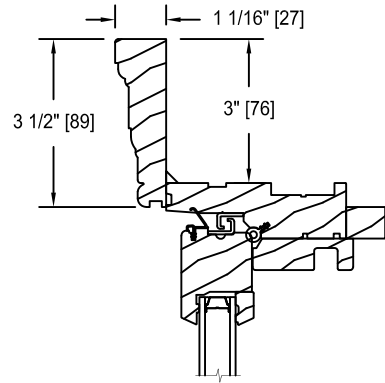
TRIM OPTIONS



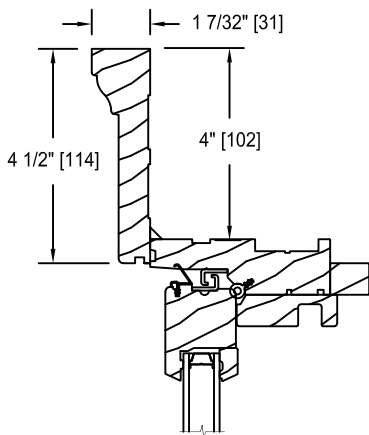
BRICKMOULD



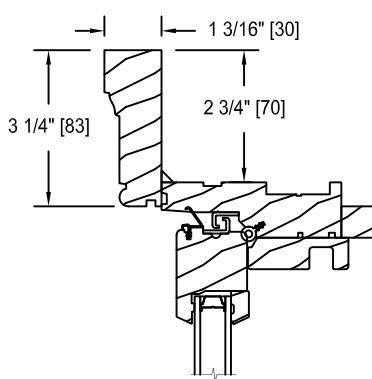
FLAT CASING



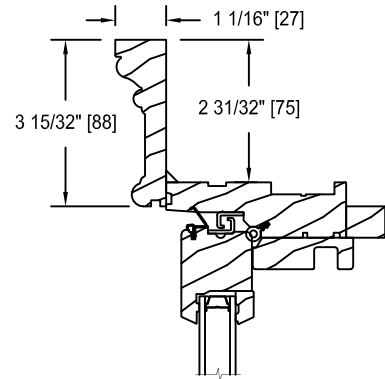
ADAMS CASING



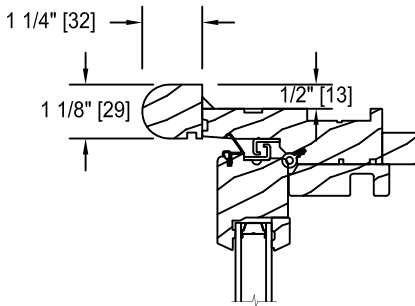
1 X 4 BACK BAND CASING



HERITAGE

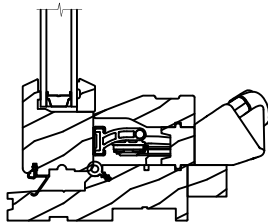


RB 3 CASING

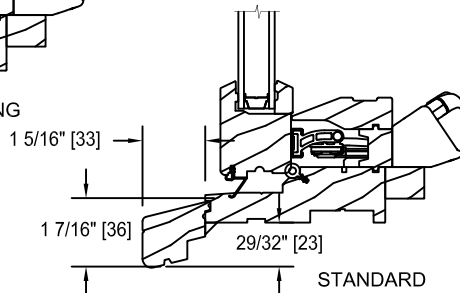


BULL NOSE CASING

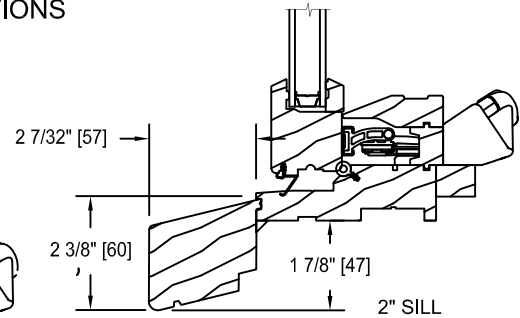
WOOD SUBSILL OPTIONS



NO SILL NOSING

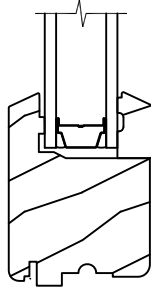


STANDARD

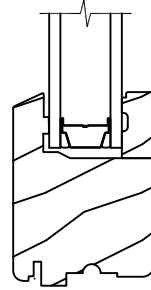


2" SILL

GLASS STOP OPTIONS

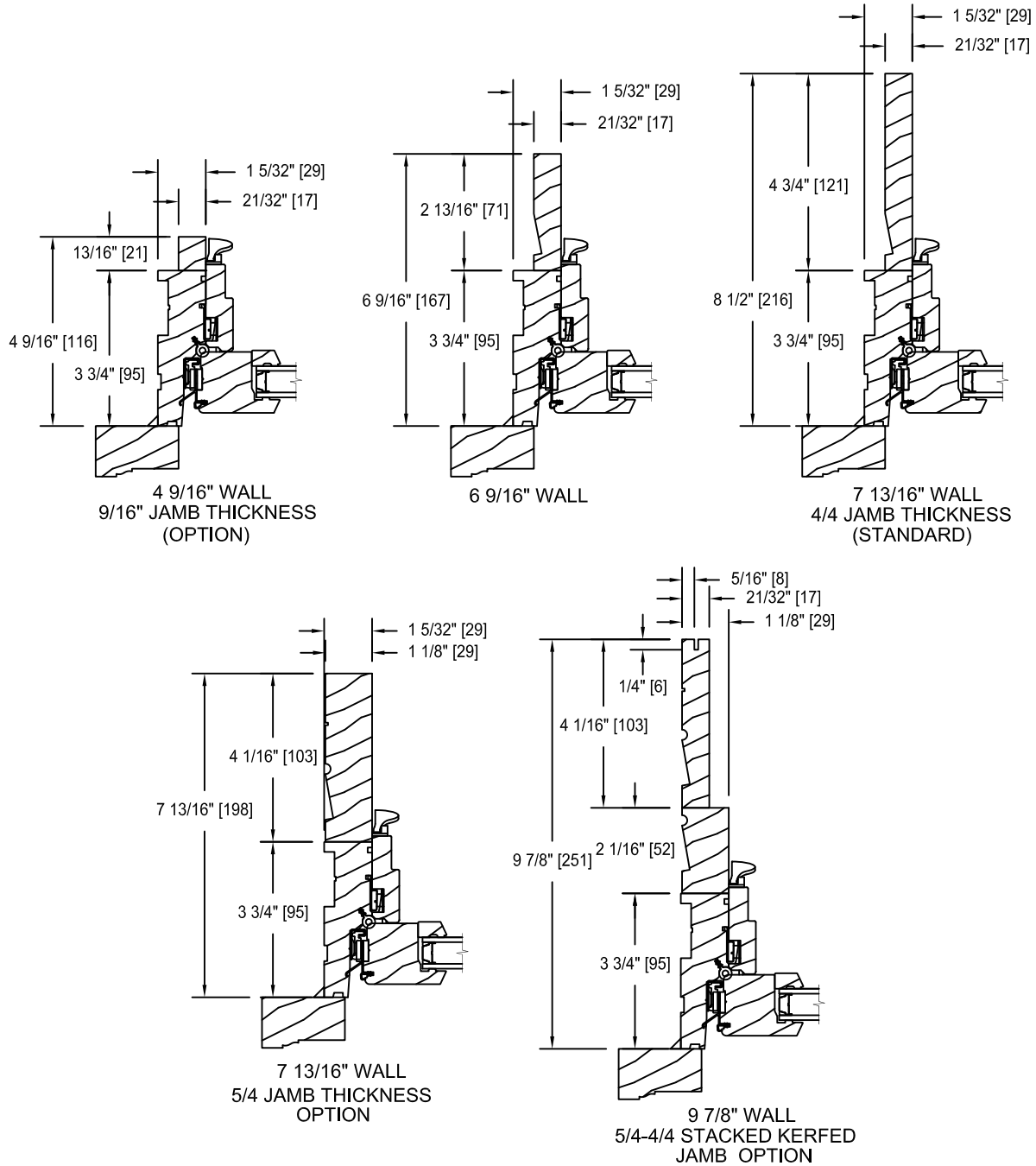


TRADITIONAL



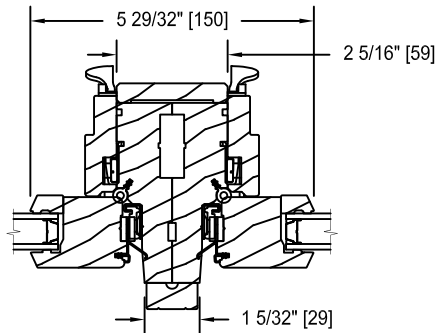
CONTEMPORARY

JAMB EXTENDER OPTIONS

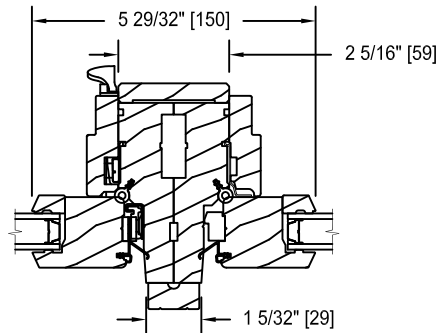


Kerfed Jamb Extension only available on 4/4 or 5/4 options
 Maximum jamb length for 4/4 is 8 1/2".
 Maximum jamb length for 5/4 is 9 5/16".
 Maximum jamb length for 5/4 2 piece stacked is 12".

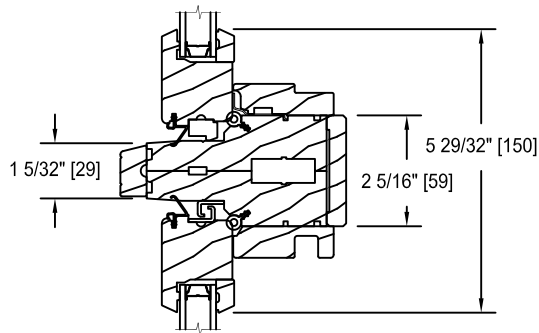
MULLION OPTIONS



OPERATING / OPERATING

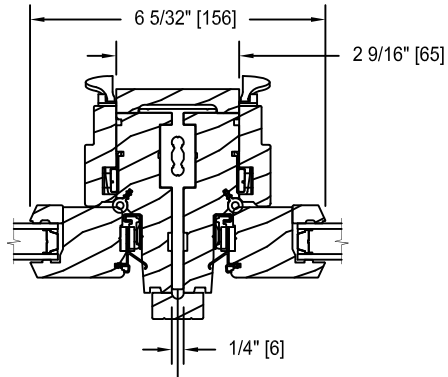


OPERATING / STATIONARY

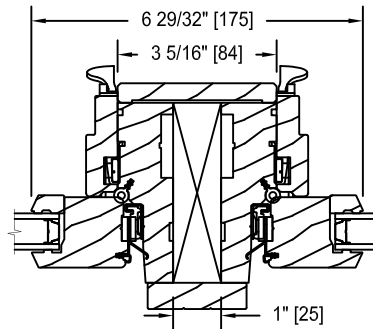


STATIONARY / OPERATING

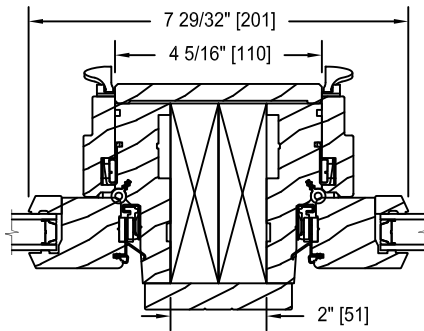
MULLION OPTIONS



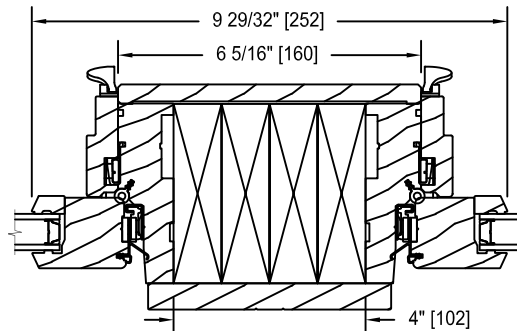
**OPERATING / OPERATING
W/ 1/4" STRUCTURAL MULL**



**OPERATING / OPERATING
W/ 1" SOLID SPREAD MULL**

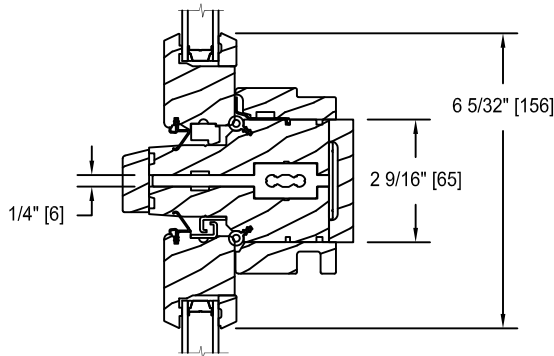


**OPERATING / OPERATING
W/ 2" SOLID SPREAD MULL**

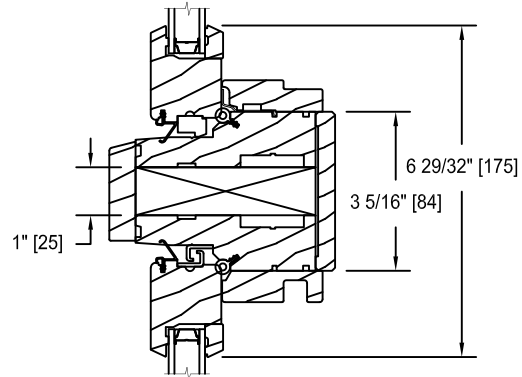


**OPERATING / OPERATING
W/ 4" SOLID SPREAD MULL**

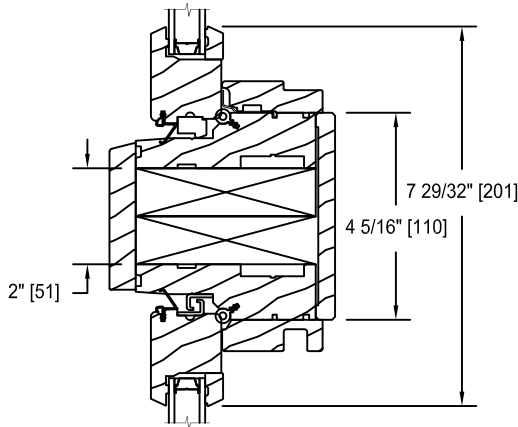
MULLION OPTIONS



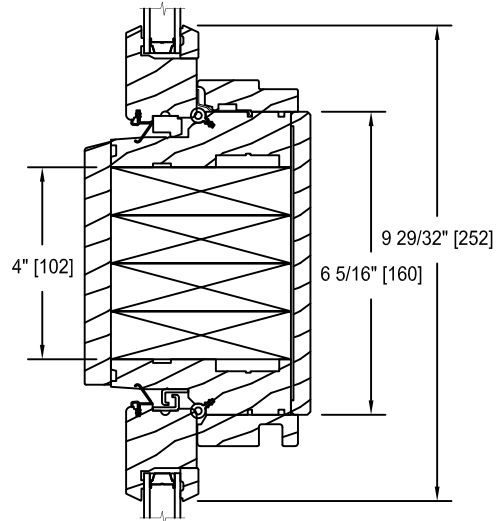
**STATIONARY
OPERATING**



**STATIONARY
OPERATING**

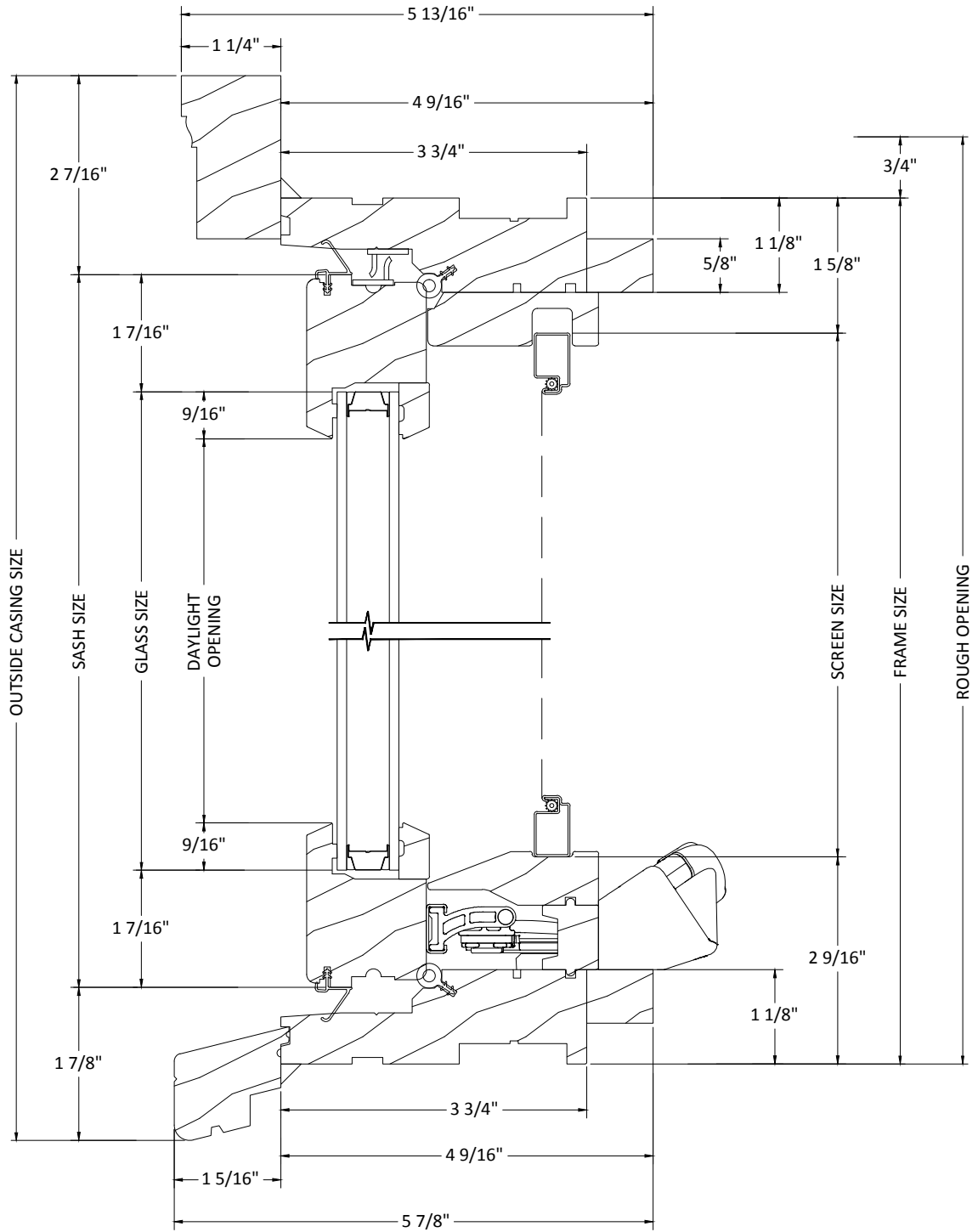


**STATIONARY
OPERATING
W/ 2" SOLID SPREAD MULL**

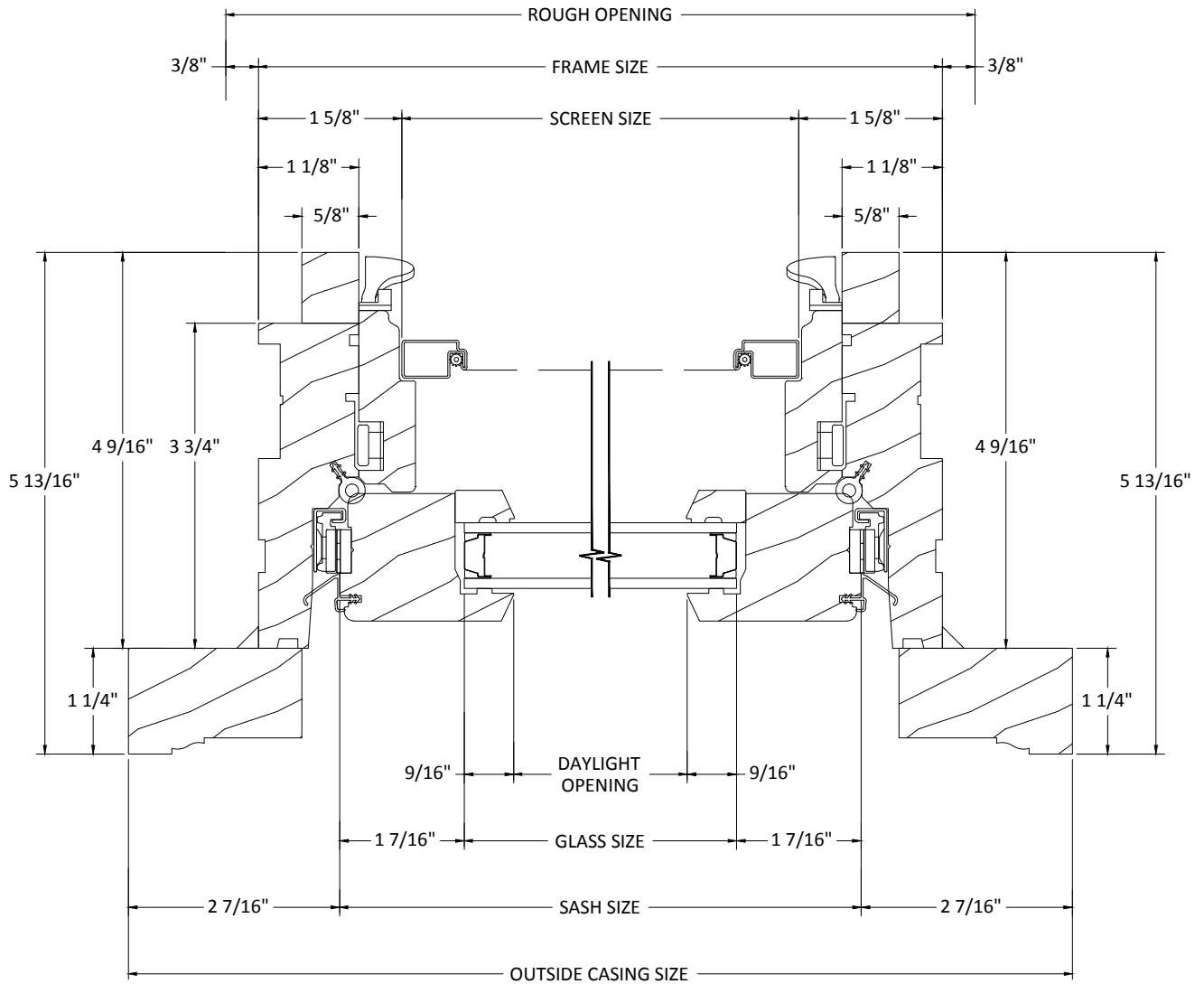


**STATIONARY
OPERATING
W/ 4" SOLID SPREAD MULL**

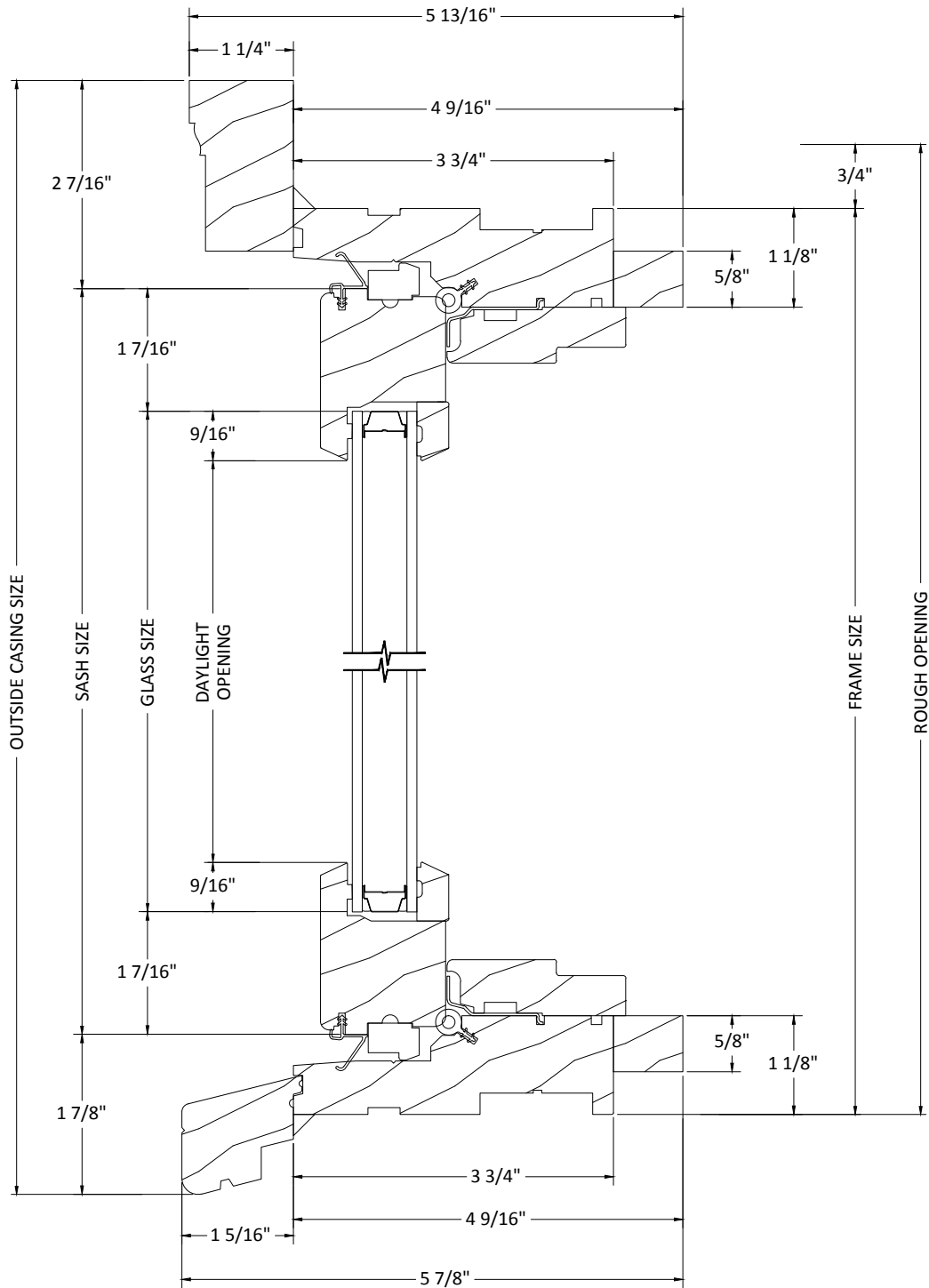
VERTICAL SECTION
OPERATOR



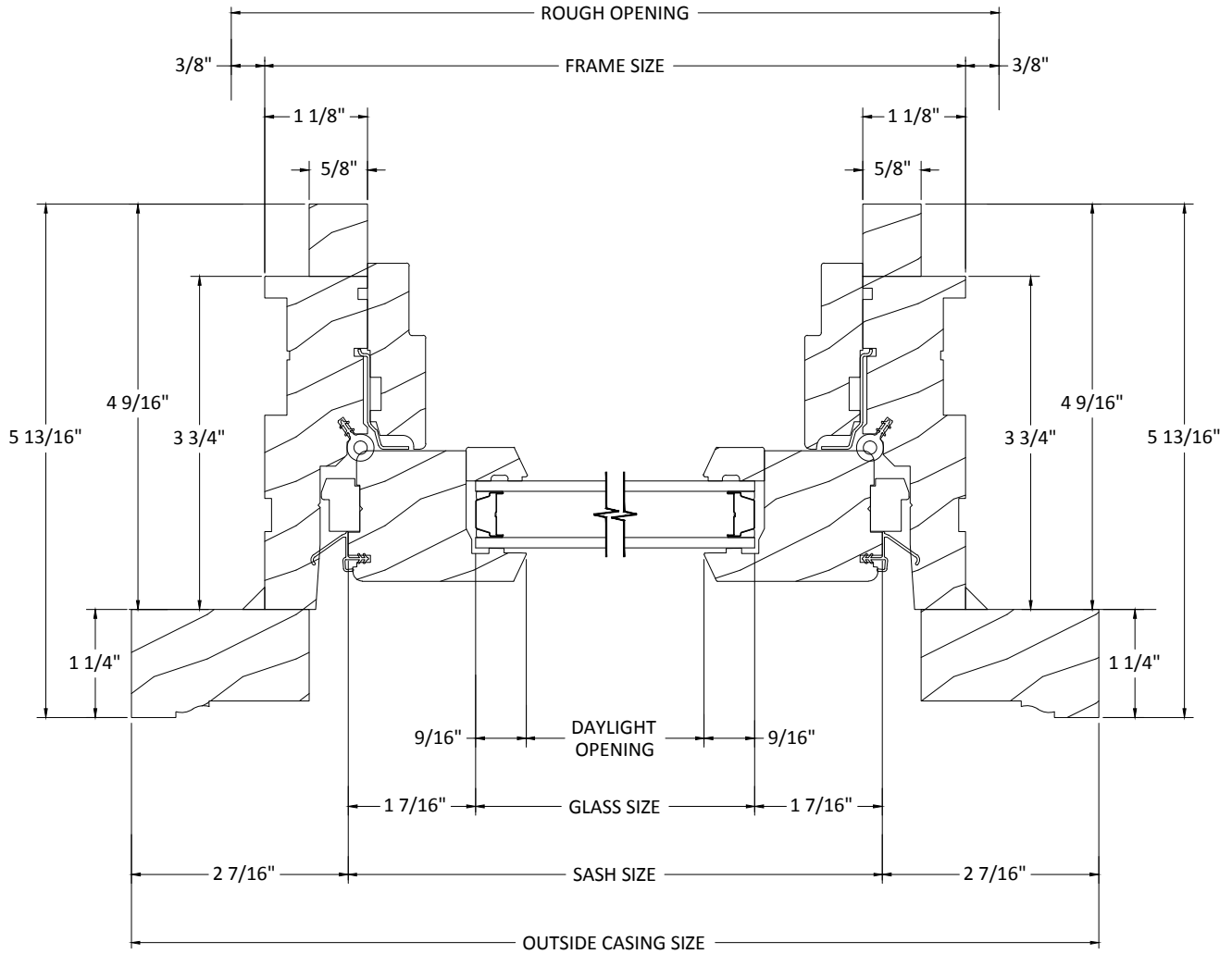
HORIZONTAL SECTION
OPERATOR



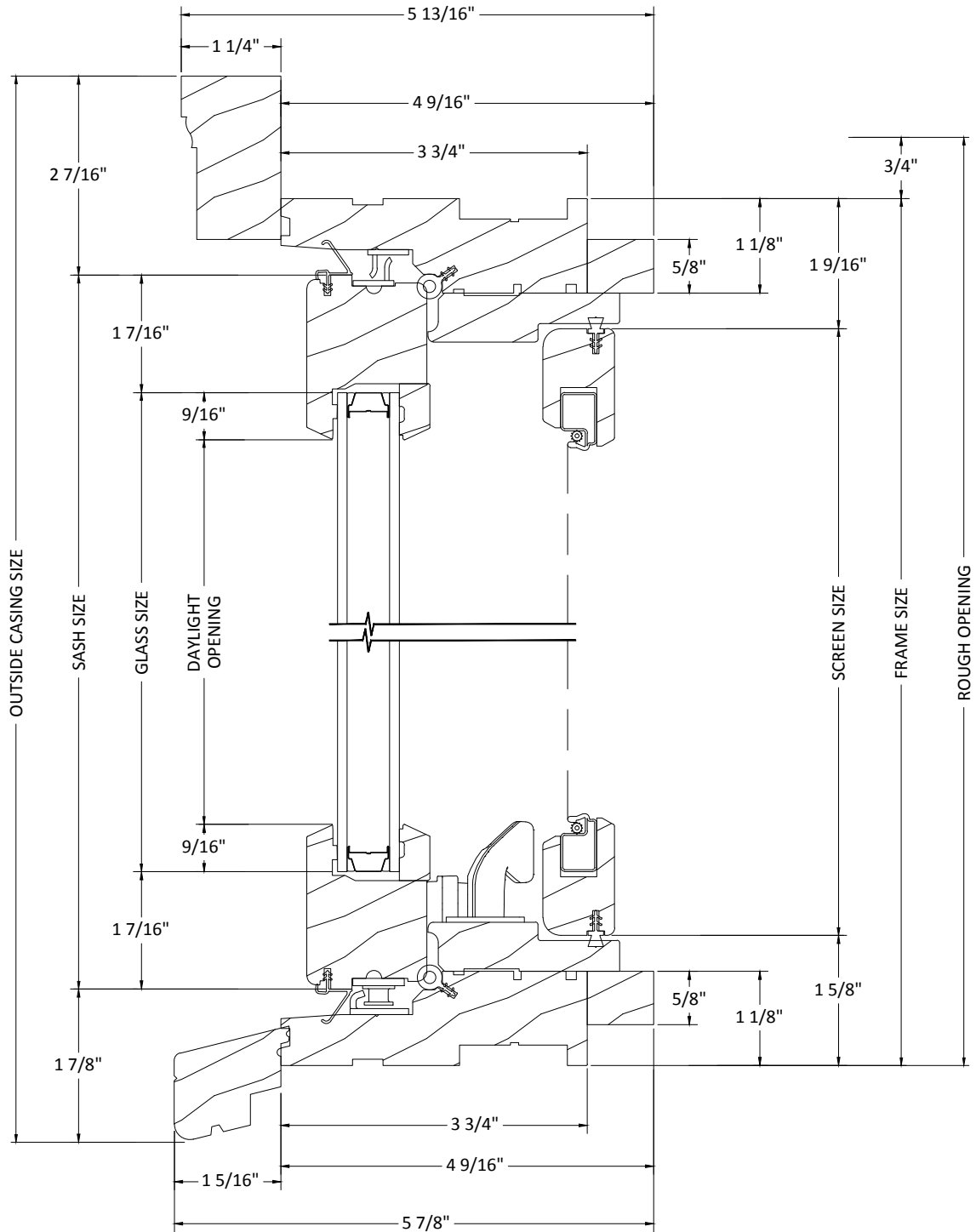
VERTICAL SECTION
FIXED



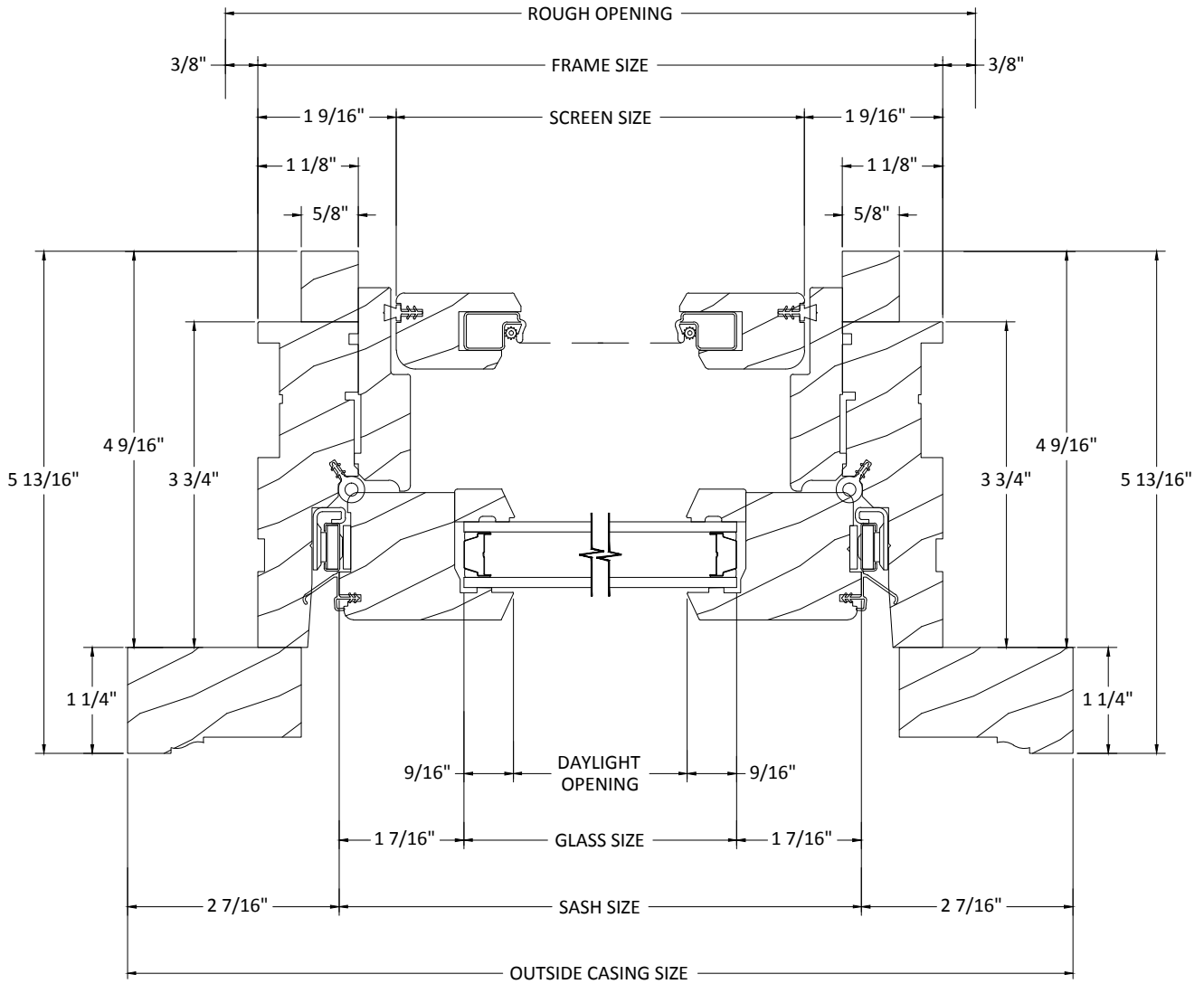
HORIZONTAL SECTION
FIXED



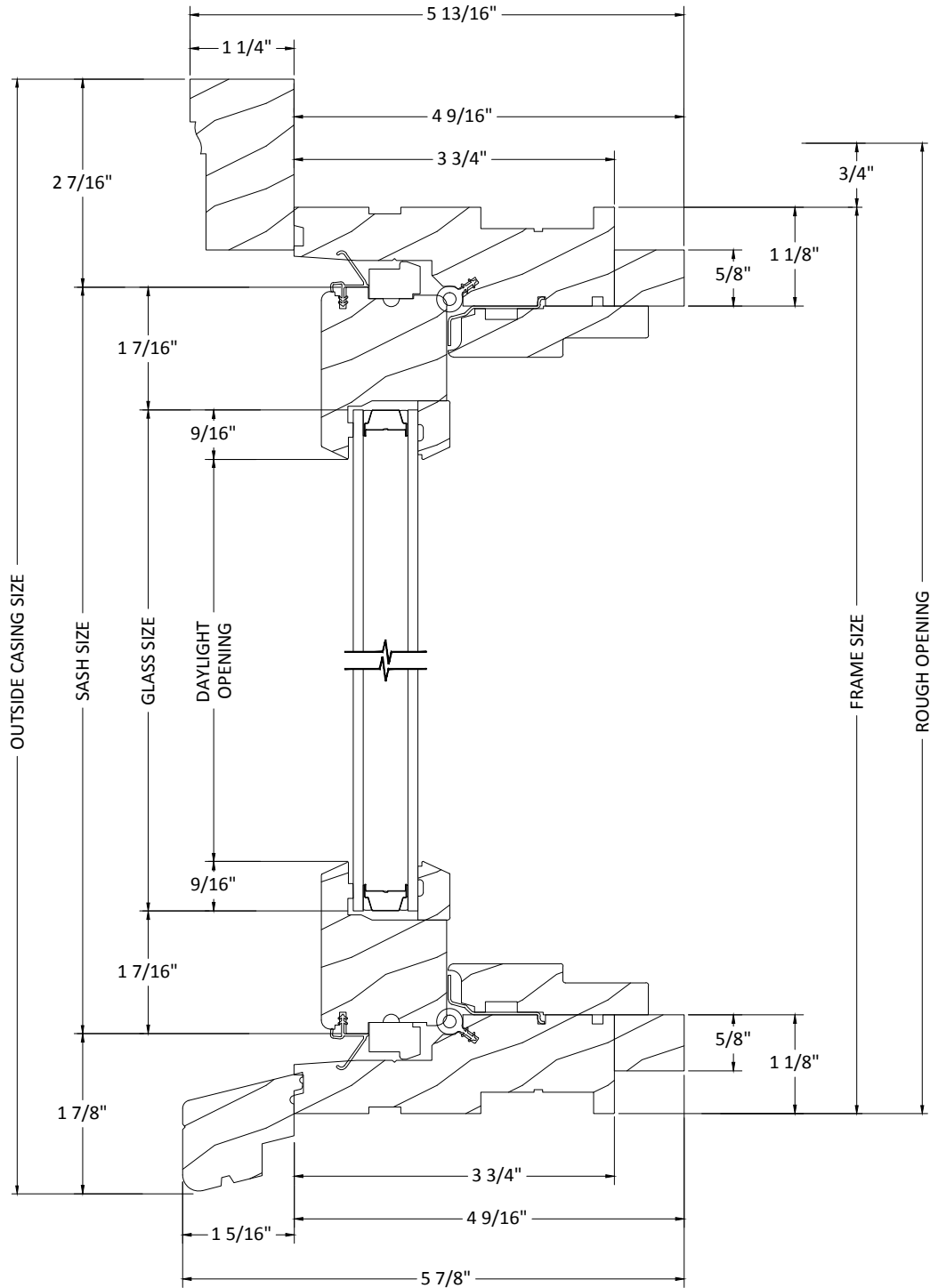
VERTICAL SECTION
PUSHOUT



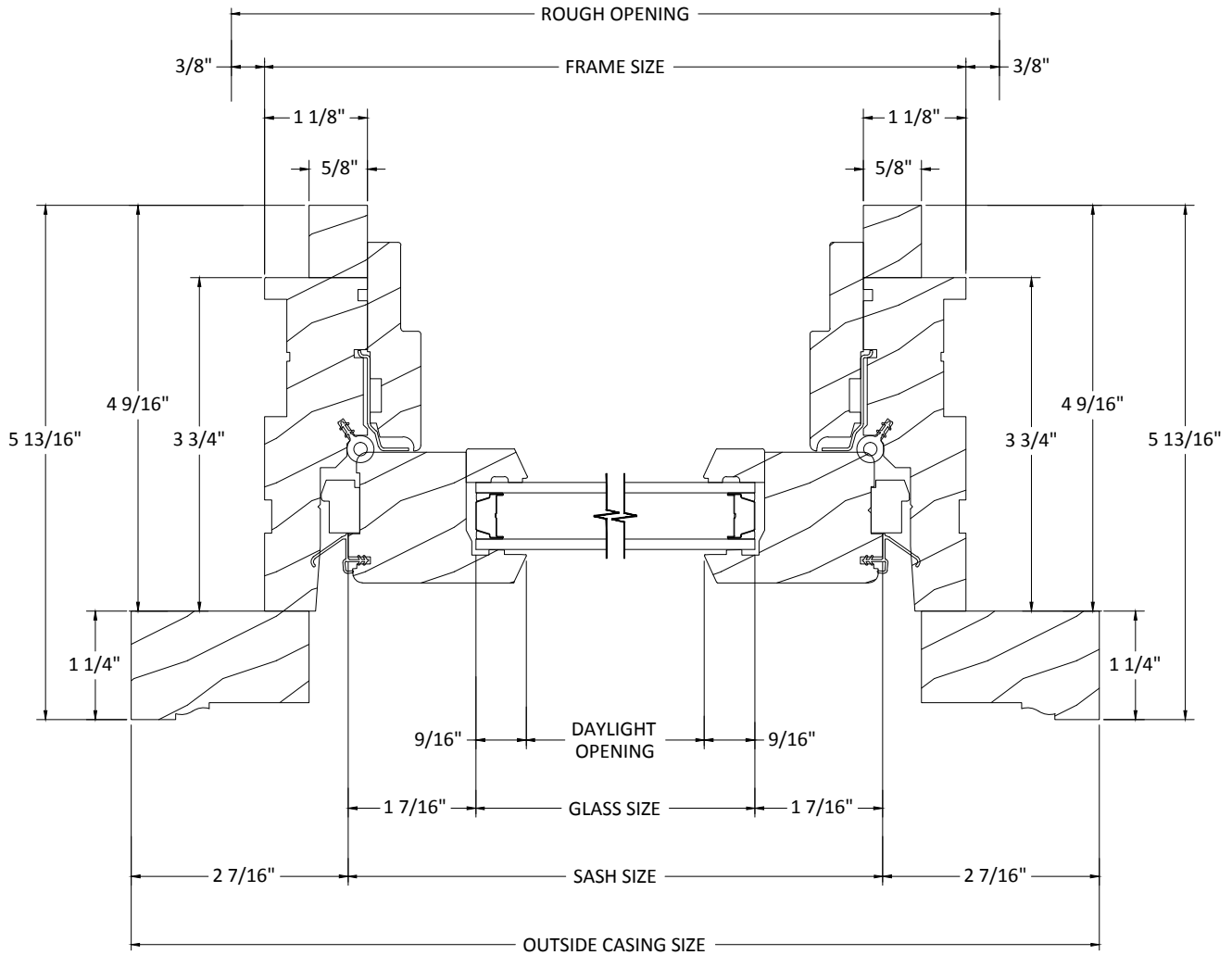
HORIZONTAL SECTION
PUSHOUT

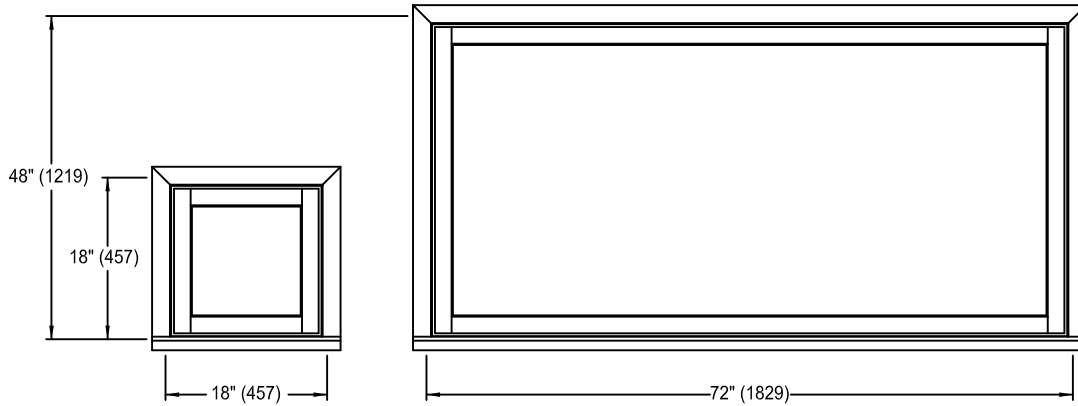


VERTICAL SECTION
FIXED PUSHOUT



HORIZONTAL SECTION
FIXED PUSHOUT

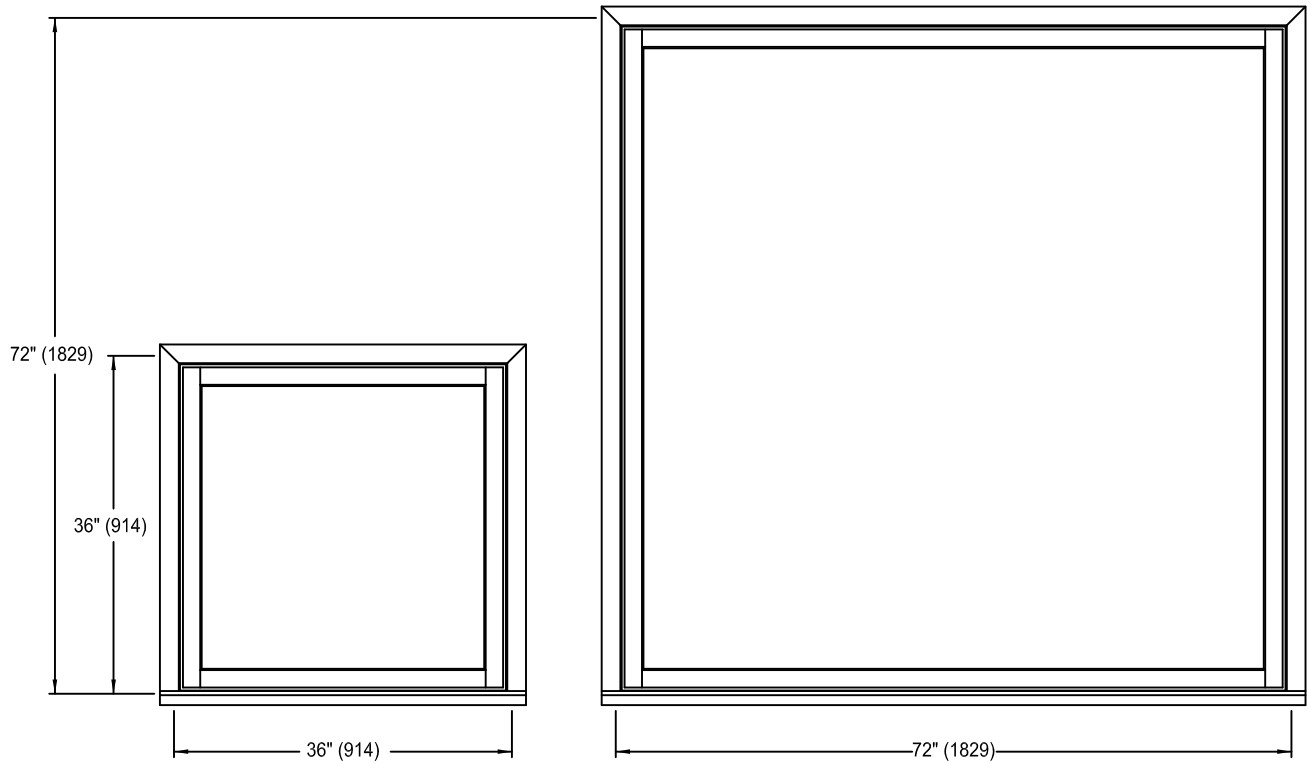




Standard widths for the Siteline Wood Awning:
18"(457mm), 20"(508mm), 24"(610mm), 28"(711mm), 30"(762mm),
32"(813mm), 36"(914mm), 42"(1067mm), 48"(1219mm), 54"(1372mm),
60"(1524mm), 66"(1676mm), 72"(1829mm).

Standard heights for the Siteline Wood Awning:
18"(457mm), 20"(508mm), 24"(610mm), 28"(711mm),
30"(762mm), 36"(914mm), 42"(1067mm), 48"(1219mm).

Operating Awning can not exceed 20 sq. ft.



Standard widths for the Siteline Wood Awning:
36"(914mm), 42"(1067mm), 48"(1219mm), 60"(1524mm),
72"(1829mm).

Standard heights for the Siteline Wood Awning:
36"(914mm), 42"(1067mm), 48"(1219mm), 54"(1372mm),
60"(1524mm), 66"(1676mm), 72"(1829mm).