

---

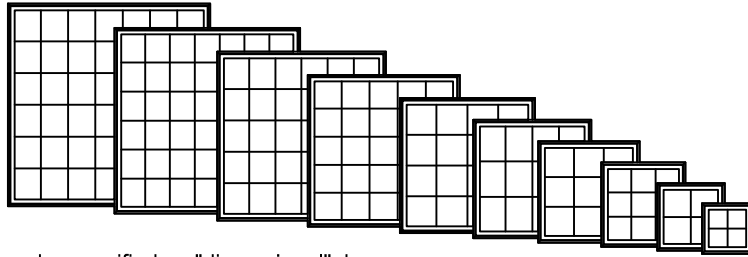
TABLE OF CONTENTS

---

General Information . . . . .	2-2
Lite Cut Information . . . . .	2-3
Handing & Operation . . . . .	2-4
Unit Sizing, Rough Opening & Masonry Openings . . . . .	2-5
Trim Options . . . . .	2-6
Sill Options . . . . .	2-7
Jamb Extender Options . . . . .	2-8
Mullion Options . . . . .	2-9
Casement Elevation Notes . . . . .	2-12
General Sector Top Information . . . . .	2-13
Sector Top Casement Handling & Operation . . . . .	2-14
Sector Top Casement Elevation Notes . . . . .	2-15
Sector Top Casement Clear Opening Information . . . . .	2-16
General French Casement Information . . . . .	2-17
French Casement Handling & Operation . . . . .	2-18
French Casement Elevation Notes . . . . .	2-19
Section Details: 6" Scale. . . . .	2-20
Bays & Bows Opening Specifications . . . . .	2-38

**CUSTOM WOOD WINDOWS**  
CUSTOM PUSHOUT CASEMENT

GENERAL INFORMATION  
CASEMENT



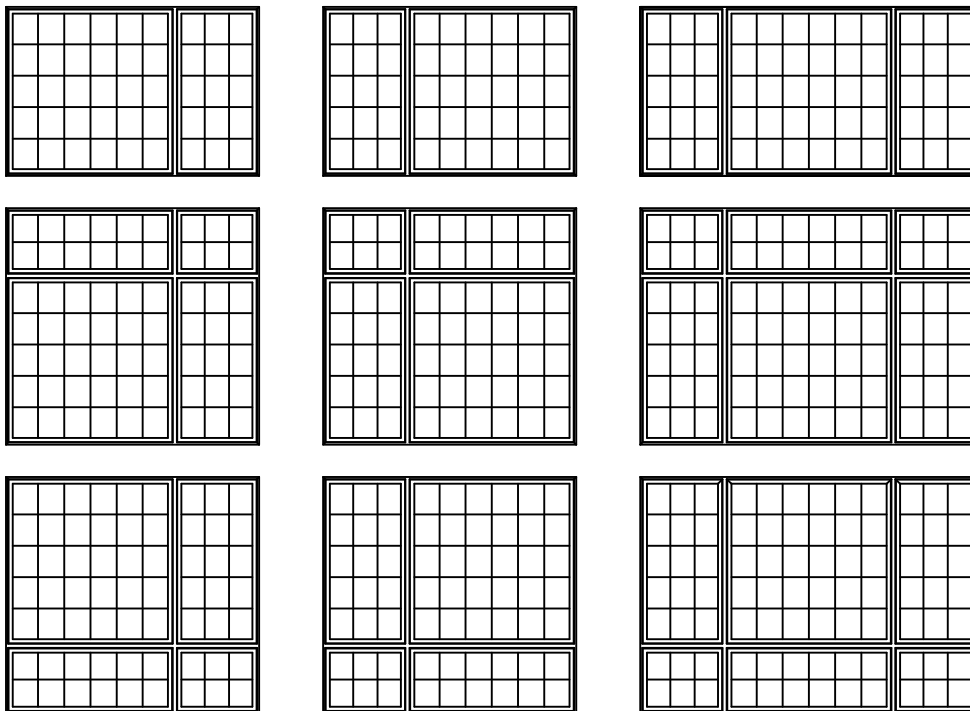
**DIMENSIONAL WINDOWS**

Custom wood casement windows may be specified as "dimensional", by adjusting the desired rough opening width or height in 1/16" increments from standard.

Custom wood casement windows are available with left or right hand operation, or stationary (non-venting). Operating mechanism includes corrosion resistant steel hinges and dual arm roto-type operator with hardened steel gears and operating arms. Sash locks are concealed unison type with an exposed locking lever and escutcheon plate. There are several interior hardware finish options. Refer to the Specifications for finish options.

**MULTIPLE ASSEMBLIES**

Custom wood casement windows may be mullied above, below, or beside other wood casement windows, or other wood window products.

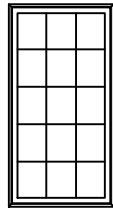


LITE CUT INFORMATION

Custom wood casement windows are available with removable grilles in 7/8", 1-1/8" and 1-3/8" widths, Airspace (between the panes) grilles, and Simulated Divided Lites. Standard lite cuts are rectangular, and conform to the layouts noted in the charts on the next page. To use the chart, refer to the appropriate table by the type of window and type of bars or grilles the section drawings illustrate. Then simply cross reference the frame Height and Width to determine the standard lite cut.

LITE CUT OPTIONS

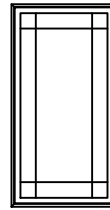
Special lite cut patterns can include a wide variety of straight line and radius patterns. The illustrations shown here represent just a few of the possibilities. Rectangular, horizontal, vertical and Prairie lite patterns are available in all standard size wood casement windows. Uneven, diamond, radius and Gothic lite cuts are available, subject to approval. Approvals are based on the ability to fulfill the design requirement while maintaining the construction integrity of the finished product.



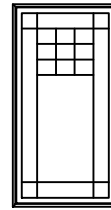
RECTANGULAR



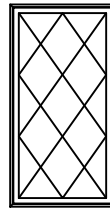
HORIZONTAL



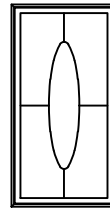
PRAIRIE



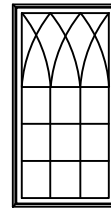
UNEVEN



DIAMOND



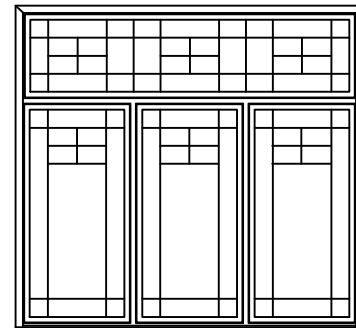
RADIUS



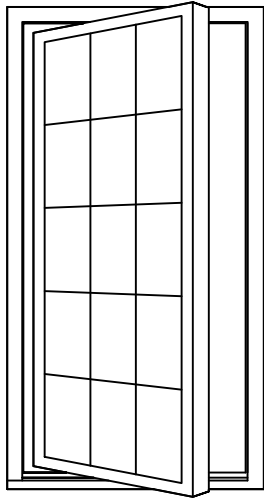
GOTHIC

BAR ALIGNMENT

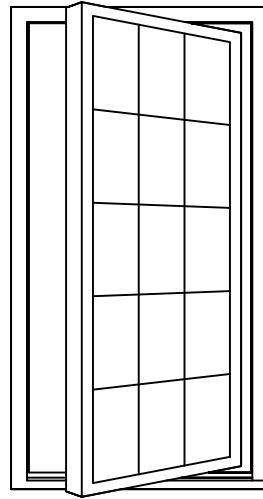
Alignment of divided lite muntin bars from one window to the next is often required by fine architectural design. Wood grilles, Grilles between the glass, and Simulated Divided Lites may be specified with muntin bars aligned.



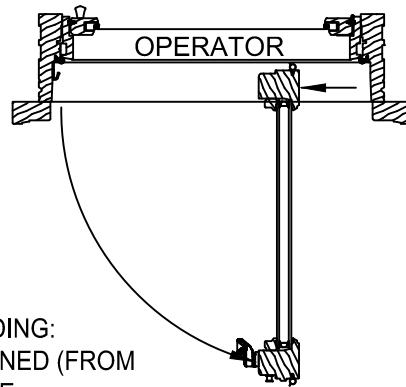
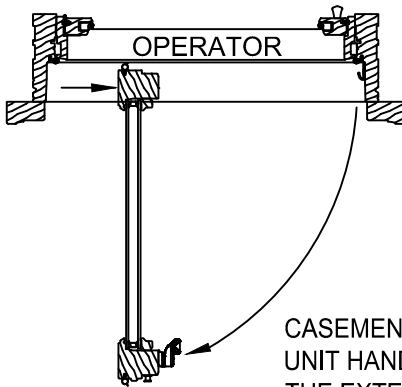
HANDING & OPERATION



LEFT  
HAND

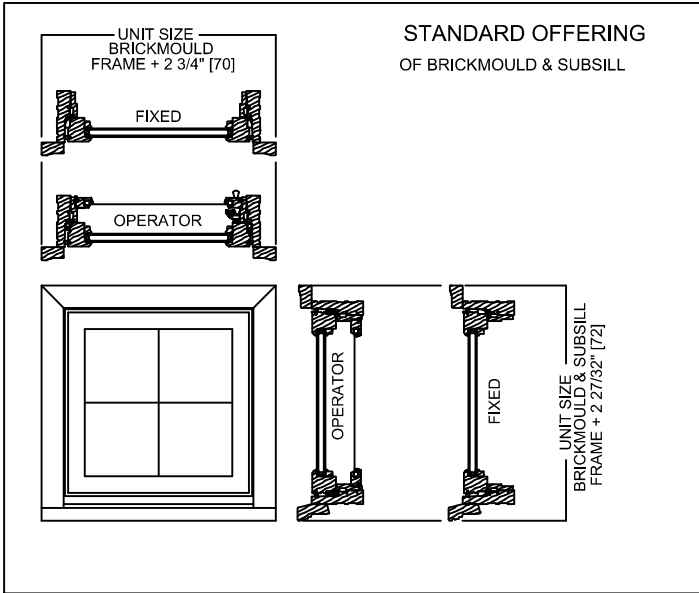


RIGHT  
HAND



CASEMENT UNIT HANDING:  
UNIT HANDING IS DEFINED (FROM  
THE EXTERIOR) AS THE  
DIRECTION THE SASH OPENS.

**UNIT SIZING, ROUGH OPENINGS &  
MASONRY OPENINGS**



**GENERAL NOTES:**

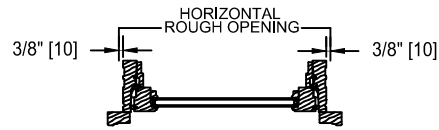
UNIT SIZE IS ALWAYS THE  
EXTREME SIZE OF THE WINDOW  
WITH OR WITHOUT TRIM AND  
DOES NOT INCLUDE NAIL FIN

**MASONRY OPENING:**

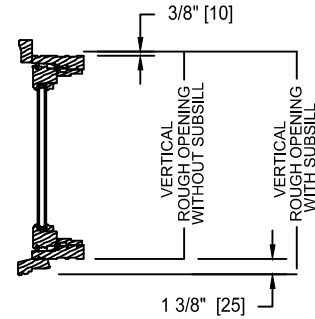
MASONRY OPENING IS ALWAYS 1/2" OVER (HEIGHT AND WIDTH)  
THE UNIT SIZE OR THE OUTSIDE EDGE OF THE TRIM  
OF THE WINDOW

**ROUGH OPENING:**

ROUGH OPENING IS ALWAYS 3/4" OVER  
FRAME SIZE OF THE WINDOW

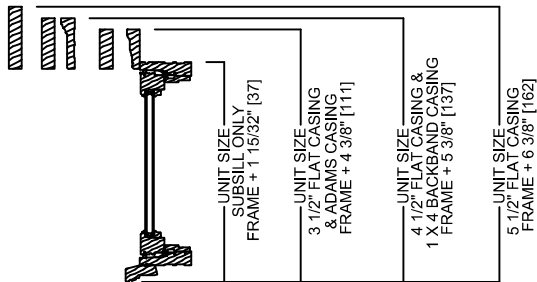


EXCEPTION: SEE DRAWING BELOW



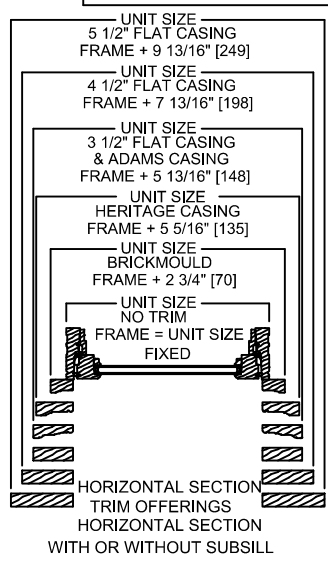
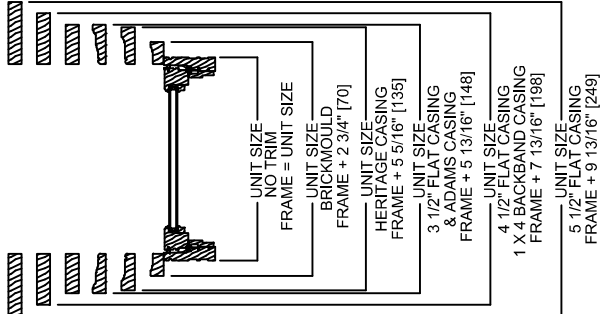
**NON-STANDARD UNIT SIZING**

**EXTERIOR TRIM OFFERINGS WITH SUBSILL**

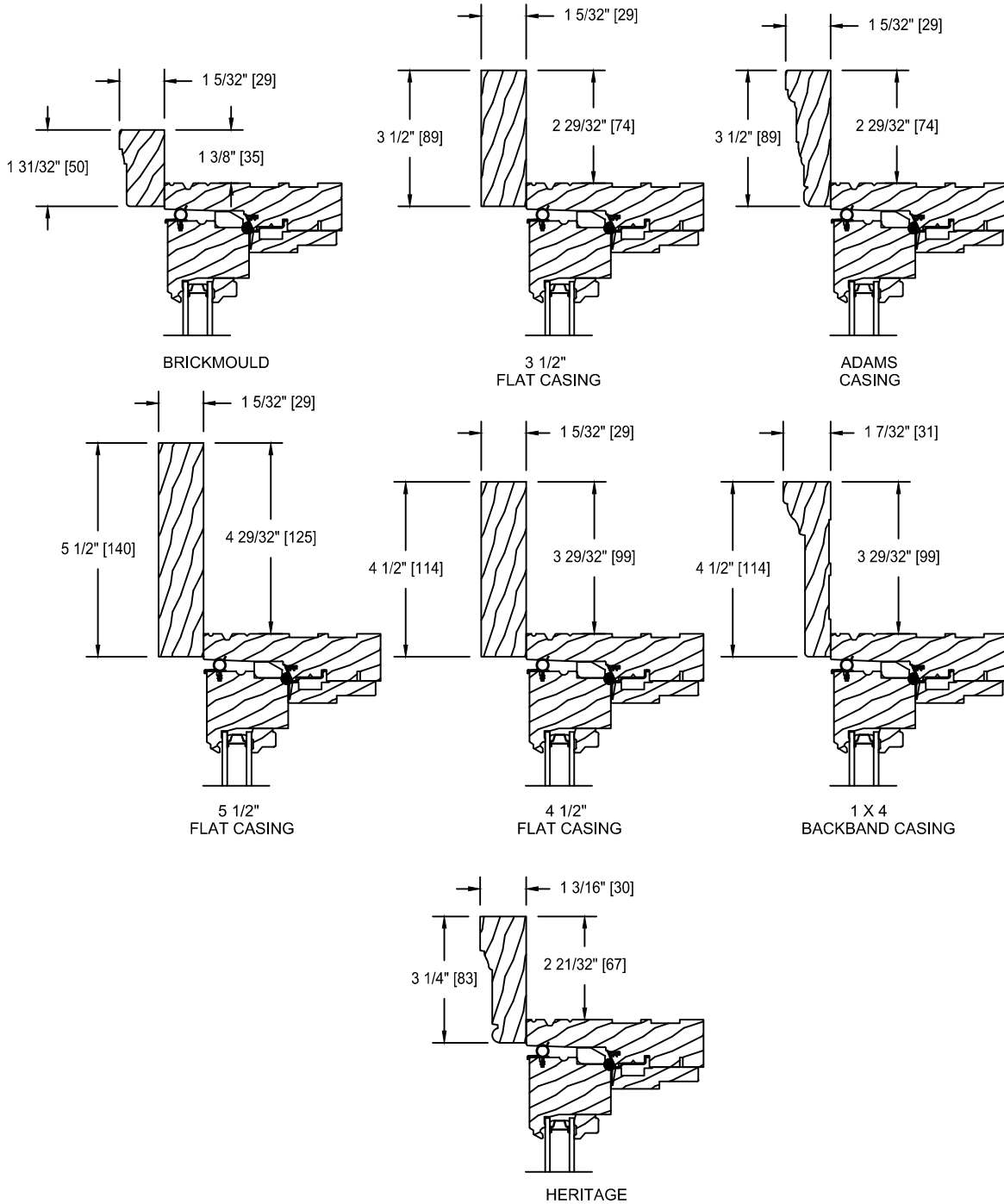


**EXTERIOR TRIM OFFERINGS WITHOUT SUBSILL**

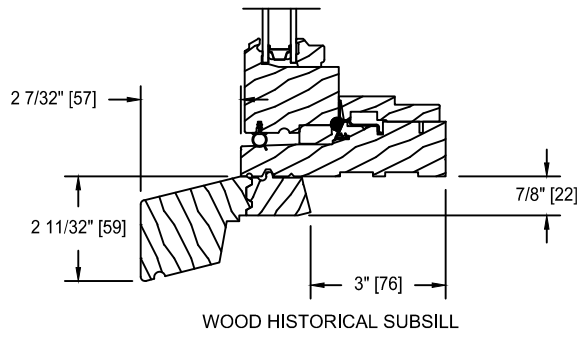
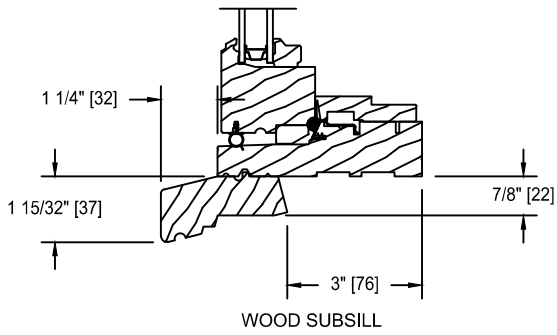
**EXTERIOR TRIM ON ALL 4 SIDES**



**TRIM OPTIONS  
CASEMENT**

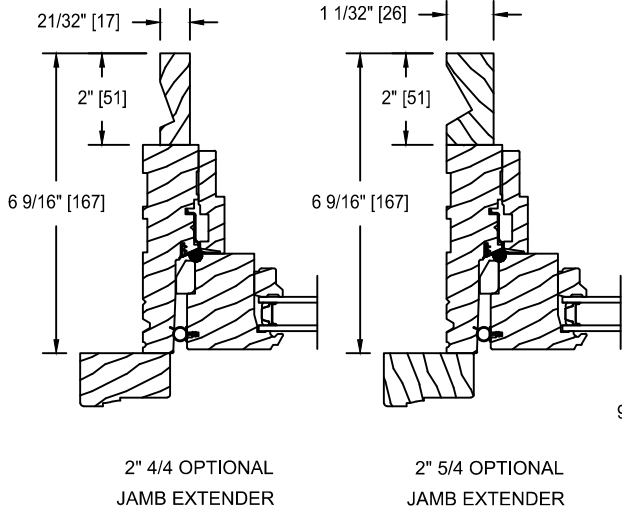


SILL OPTIONS

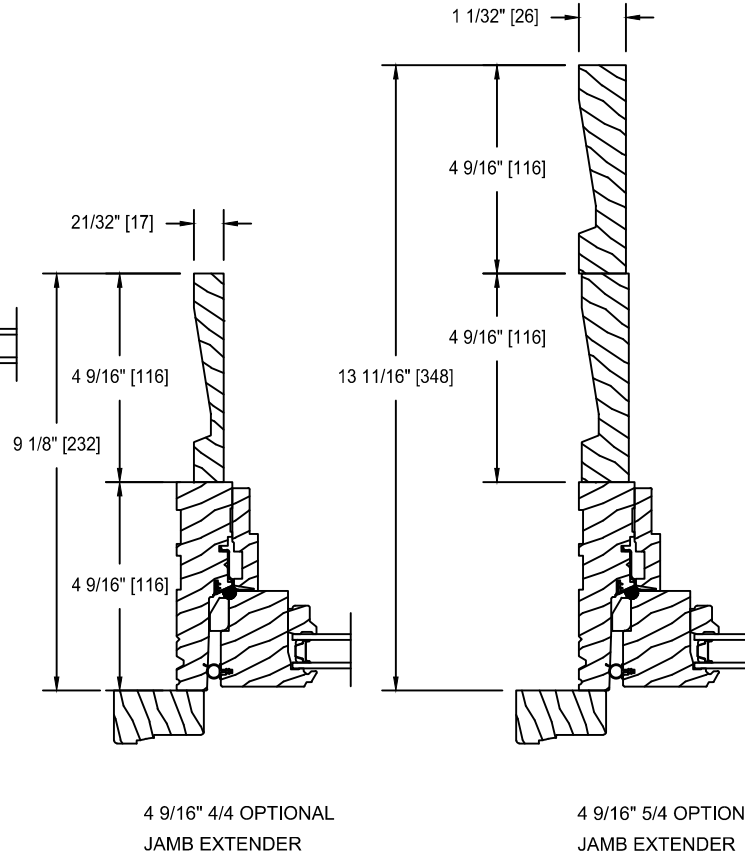


JAMB EXTENDER & STUCCO TRIM OPITONS

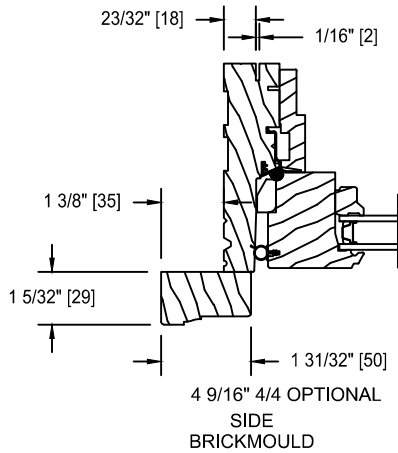
JAMB EXTENDER OPTIONS



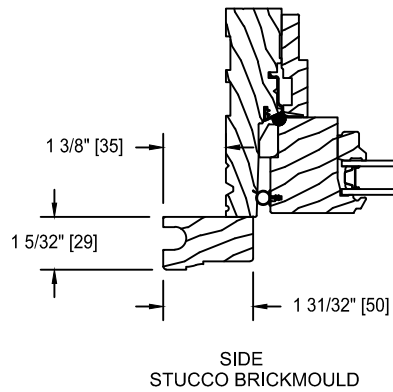
MAXIMUM JAMB WIDTHS



RETURN KERF OPTION

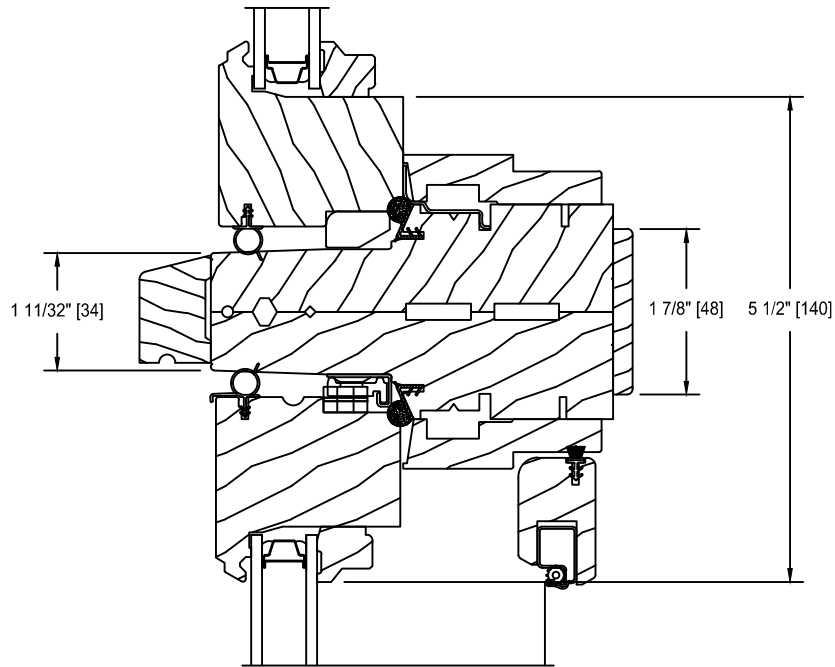


STUCCO TRIM OPTION

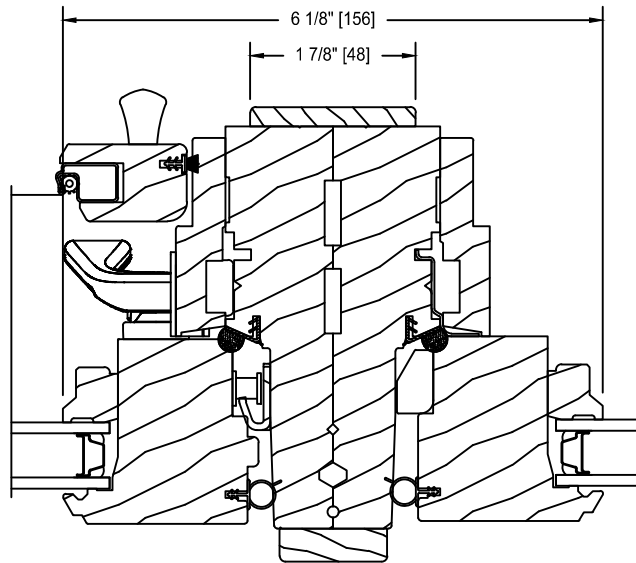




**MULLION OPTIONS  
STANDARD**

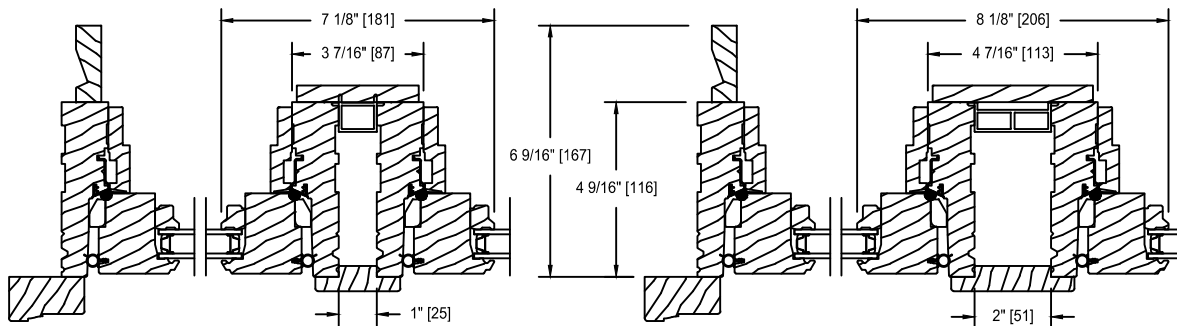
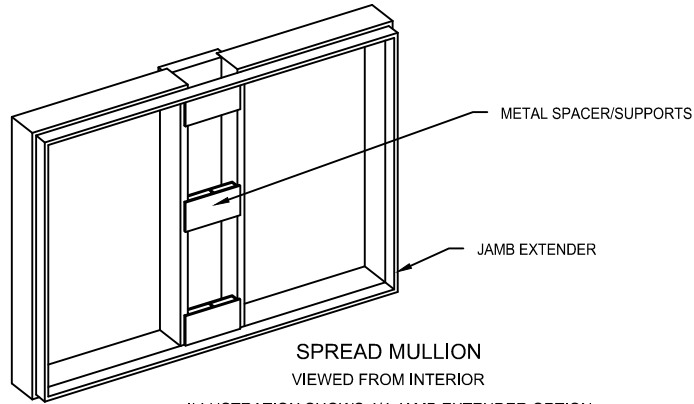


**HEAD/SILL**



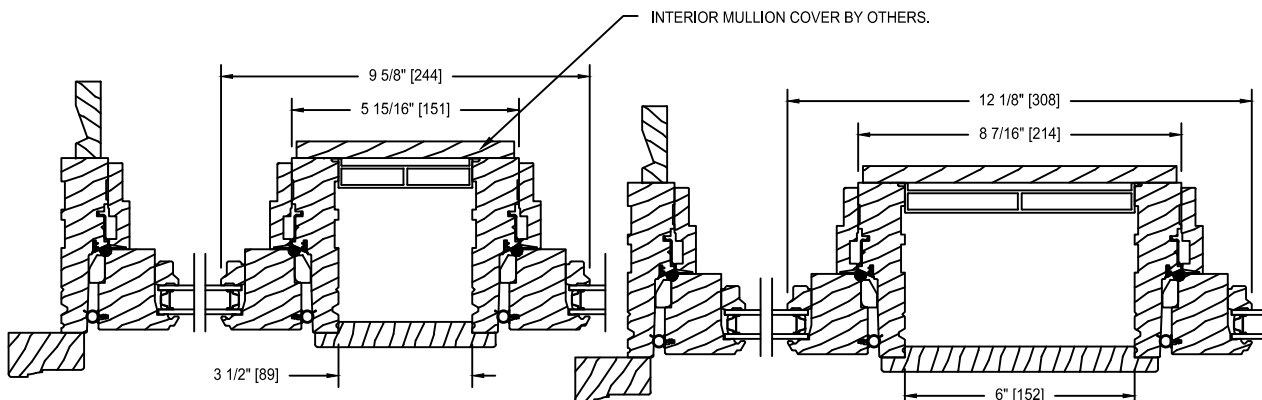
**SIDE JAMB**

**MULLION OPTIONS  
SPECIALTY**



**1" SPREAD MULLION**

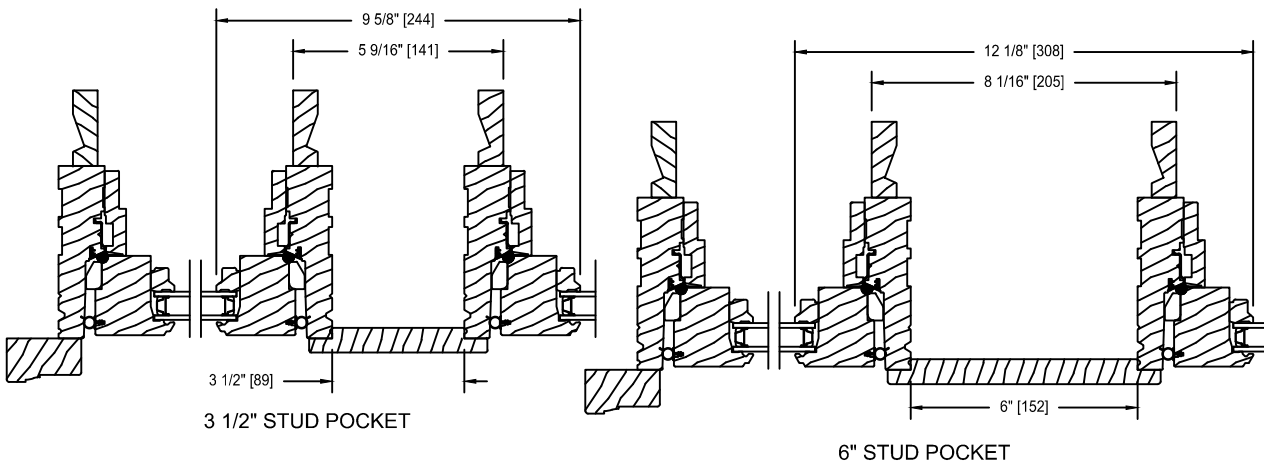
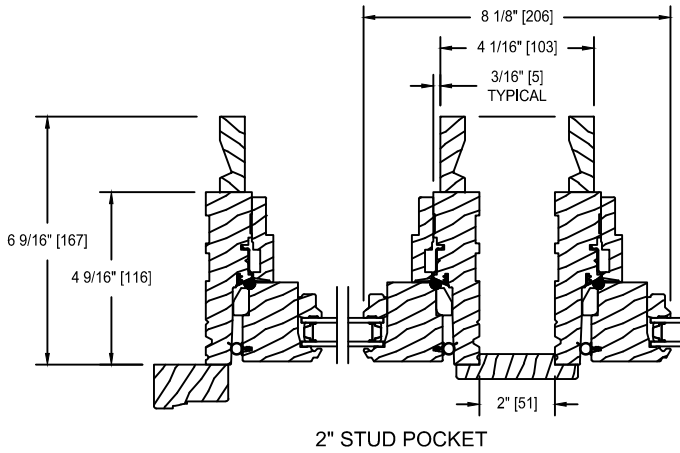
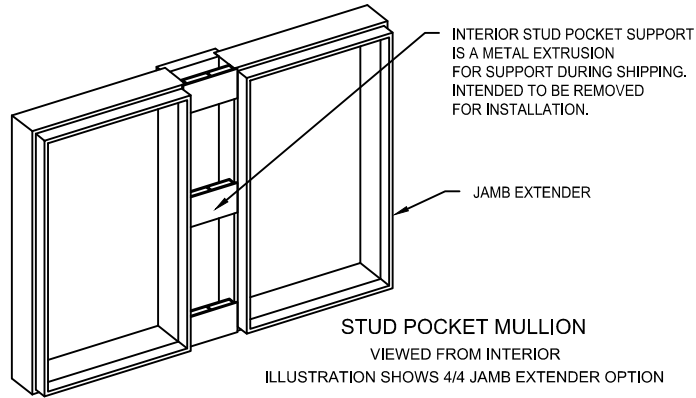
**2" SPREAD MULLION**



**3 1/2" SPREAD MULLION**

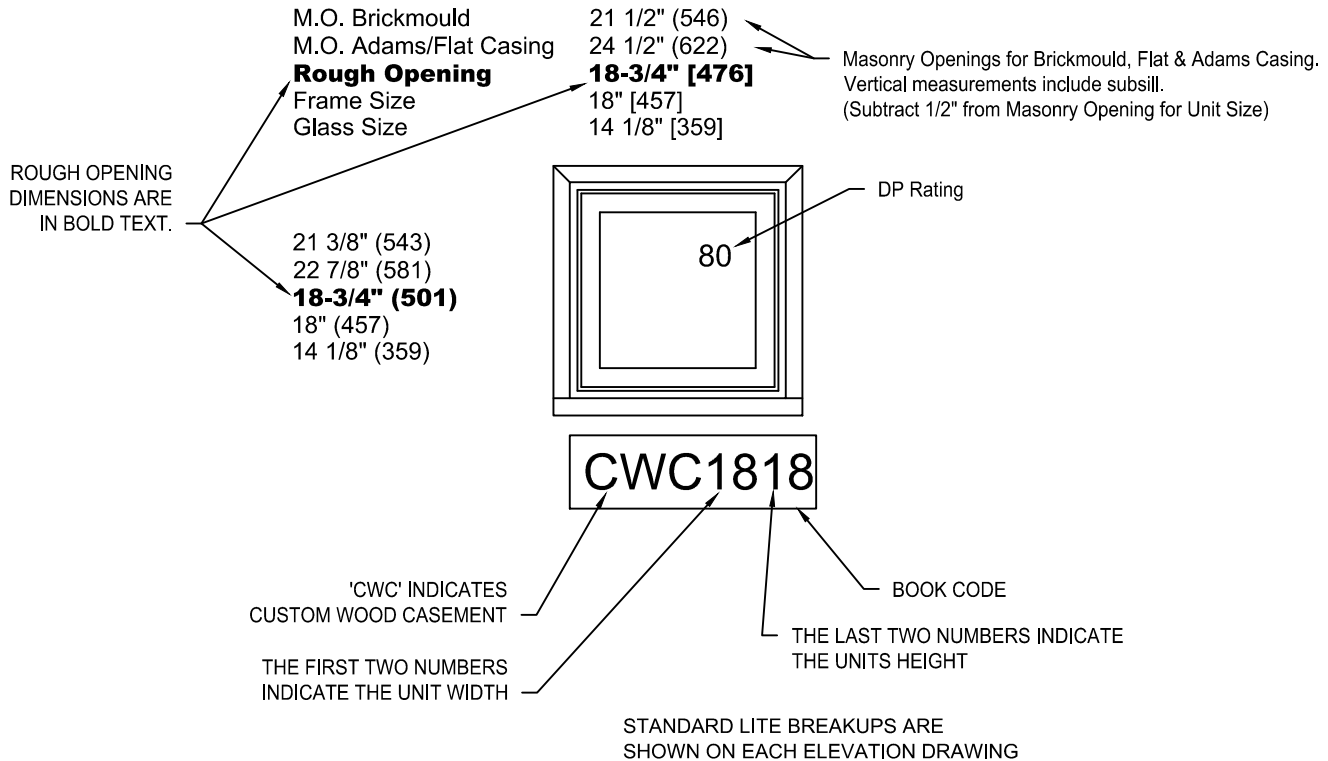
**6" SPREAD MULLION**

**MULLION OPTIONS  
SPECIALTY**



**ELEVATION NOTES**  
**CASEMENT**

ELEVATION DRAWINGS UTILIZE A LIMITED NUMBER OF PROJECTED LINES TO PRODUCE A RUDIMENTARY DRAWING INTENDED TO BE USED IN A SMALL GRAPHICAL SCALE. ELEVATIONS ARE VIEWED PERPENDICULAR FROM THE EXTERIOR OF THE STRUCTURE. IF MORE DIMENSIONS ARE NEEDED, USE THE SECTION DRAWINGS FOR MORE COMPLETE DEPICTIONS.



**GENERAL CASEMENT NOTES**

1. WOOD CASEMENT (WC) UNITS ARE AVAILABLE AS OPERATING OR FIXED UNITS.
2. 'WCP' IN A BOOK CODE DENOTES THE UNIT IS A WOOD CASEMENT PICTURE (FIXED) UNIT.
3. UNIT ELEVATIONS ARE SHOWN WITH BRICKMOULD AND SUBSILL.
4. ELEVATION DRAWINGS SHOW STANDARD LIGHT CUTS FOR 7/8" [22] OR 1 1/8" [29] GRILLE BARS OR SIMULATED DIVIDED LITE.
5. OPERATING UNITS ARE AVAILABLE AS LEFT OR RIGHT HAND OPERATION.
6. DIMENSIONAL VALUES IN BRACKETS ARE MILLIMETER CONVERSIONS.
7. ALL GLASS SIZES ARE NOMINAL.

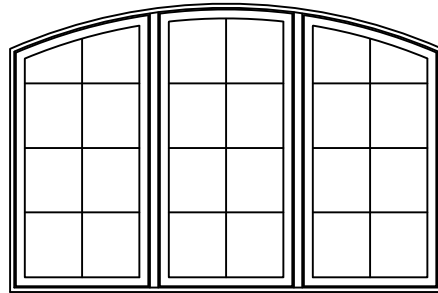
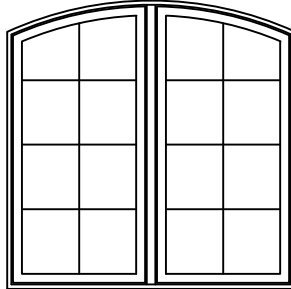
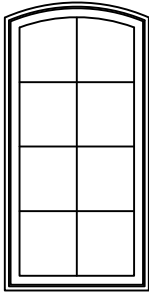
**ELEVATION SYMBOL LEGEND:**

- E** BASIC UNIT CLEAR OPENING EXCEEDS 20" IN WIDTH, 24" IN HEIGHT & A MINIMUM OF 5.7 SQ. FT.
- E\*** BASIC UNIT CLEAR OPENING REQUIRES EGRESS HINGES TO EXCEED 20" IN WIDTH, 24" IN HEIGHT & A MINIMUM OF 5.7 SQ. FT.
- E1** BASIC UNIT CLEAR OPENING EXCEEDS 20" IN WIDTH, 24" IN HEIGHT & A MINIMUM OF 5.0 SQ. FT.
- S** STATIONARY UNIT
- ##** NUMBER INDICATES DESIGN PRESSURE (DP) RATING WITH STANDARD GLAZING. OPERATING UNITS UTILIZE THE R65 LOCKING SYSTEM FOR DP RATINGS.

---

GENERAL INFORMATION  
SECTOR TOP CASEMENTS

---



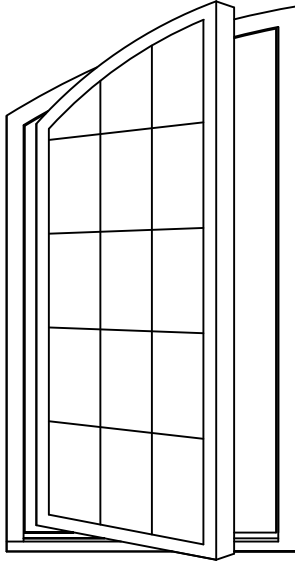
Custom sector wood casements are constructed the same as Custom wood casements.

Custom sector wood casement windows are available with left or right hand operation (hinged on the springline), or stationary (non-venting). Operating mechanism includes stainless steel, corrosion resistant, butt hinges and single arm roto-type operator with hardened steel gears and operating arm. Sash locks are concealed unison type with an exposed locking lever and escutcheon plate. There are several interior hardware finish options. Refer to the Specifications for finish options.

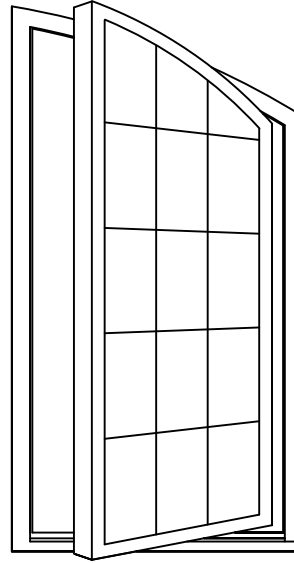
CUSTOM WOOD SECTOR TOP CASEMENTS utilize some of the same options as WOOD Custom CASEMENTS.

Note: Wood Book Coded Sector Tops use the same sash as the roll form clad sash, just without the roll form cladding.

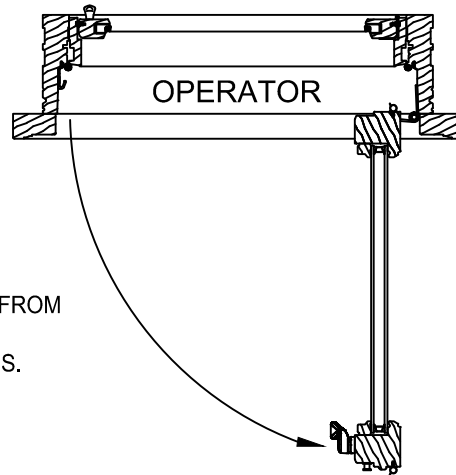
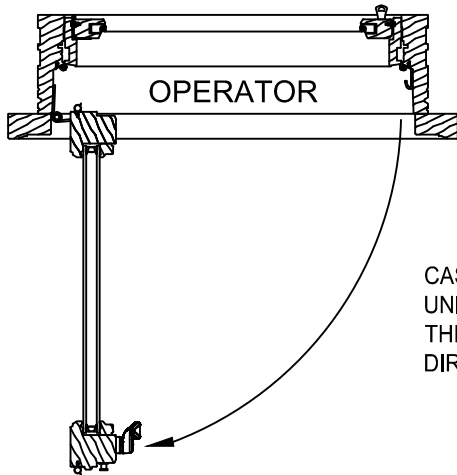
HANDING, OPERATION & LIMIT DEVICE  
SECTOR TOP CASEMENTS



LEFT  
HAND



RIGHT  
HAND



CASEMENT UNIT HANDING:  
UNIT HANDING IS DEFINED (FROM  
THE EXTERIOR) AS THE  
DIRECTION THE SASH OPENS.

**UNIT HANDING INFORMATION**

**OPERATING SINGLE SECTOR UNITS** - MAY BE HANDED 'LEFT' OR 'RIGHT'.

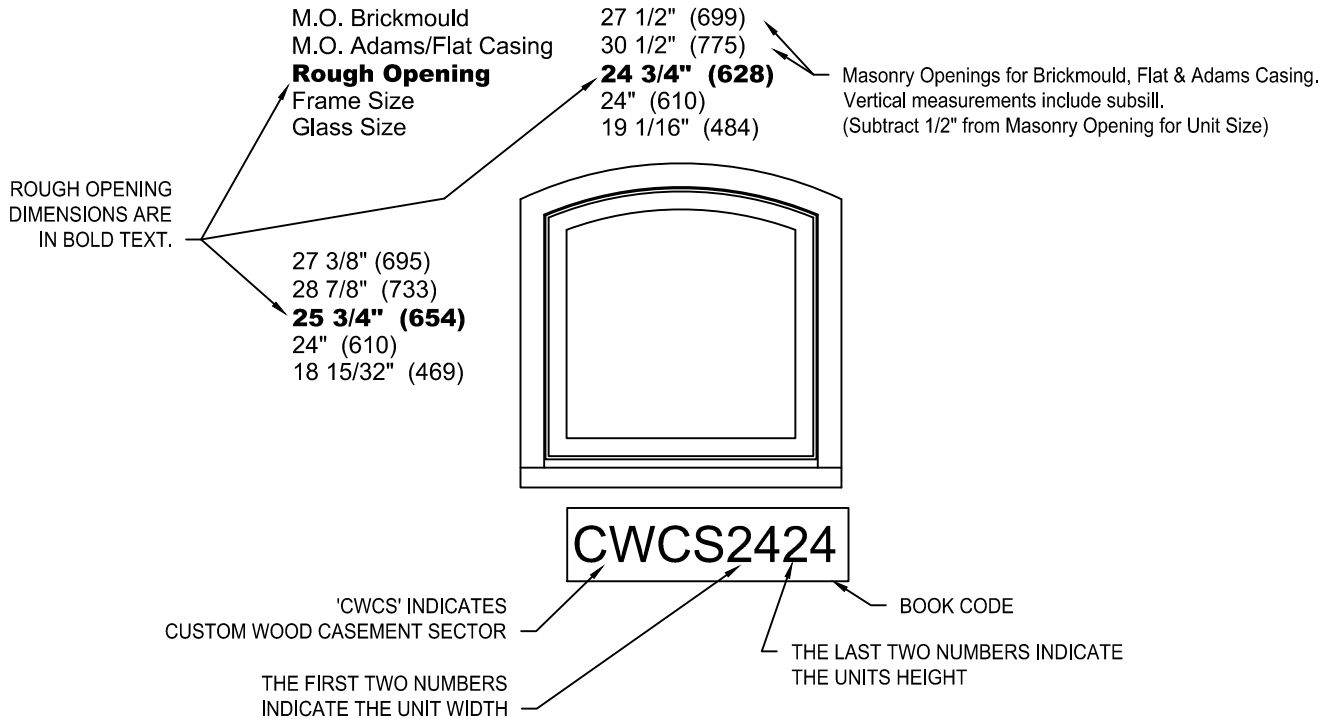
**OPERATING TWIN SECTOR UNITS** - THESE UNITS ARE HINGED ON THE SPRINGLINE SIDE. THE 'LEFT' SASH HAS 'LEFT' HAND OPERATION AND THE 'RIGHT' SASH HAS 'RIGHT' HAND OPERATION ONLY.

**OPERATING TRIPLE SECTOR UNITS** - ONLY THE FLANKING UNITS MAY BE OPERATORS WHICH ARE HINGED ON THE SPRINGLINE SIDE. THE TWO OPERATING SASH ARE HANDED THE SAME AS THE TWIN SECTOR.

**WOOD BOOK CODED SECTOR TOPS UNITS** - HAVE THE SAME SASH AS THE ROLL FORM CLAD SASH, JUST WITHOUT THE ROLL FORM CLADDING.

**ELEVATION NOTES**  
**SECTOR TOP CASEMENTS**

ELEVATION DRAWINGS UTILIZE A LIMITED NUMBER OF PROJECTED LINES TO PRODUCE A RUDIMENTARY DRAWING INTENDED TO BE USED IN A SMALL GRAPHICAL SCALE. ELEVATIONS ARE VIEWED PERPENDICULAR FROM THE EXTERIOR OF THE STRUCTURE. IF MORE DIMENSIONS ARE NEEDED, USE THE SECTION DRAWINGS FOR MORE COMPLETE DEPICTIONS.



**GENERAL RADIUS CASEMENT NOTES**

1. UNIT ELEVATIONS ARE SHOWN WITH BRICKMOULD AND SUBSILL.
2. DIMENSIONAL VALUES IN BRACKETS ARE MILLIMETER CONVERSIONS.
3. ALL SECTOR UNITS ARE AVAILABLE AS OPERATING UNITS.
4. WOOD BOOK CODED SECTOR TOPS USE THE SAME SASH AS THE ROLL FORM CLAD SASH, JUST WITHOUT THE ROLL FORM CLADDING.

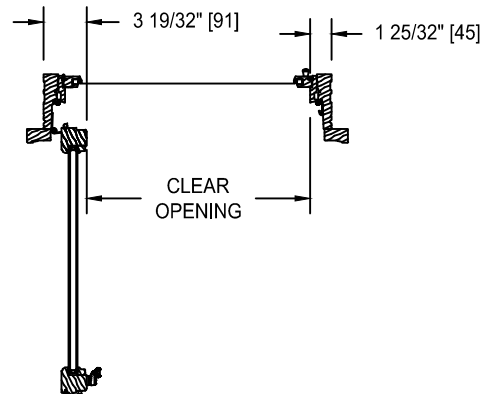
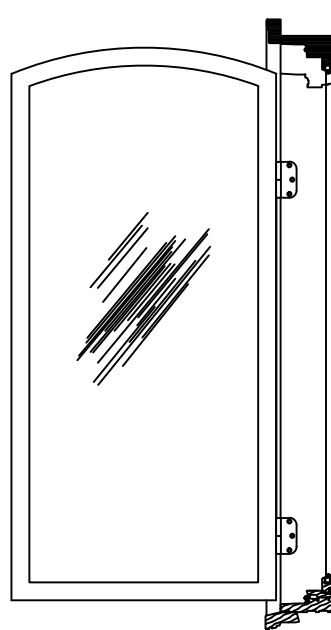
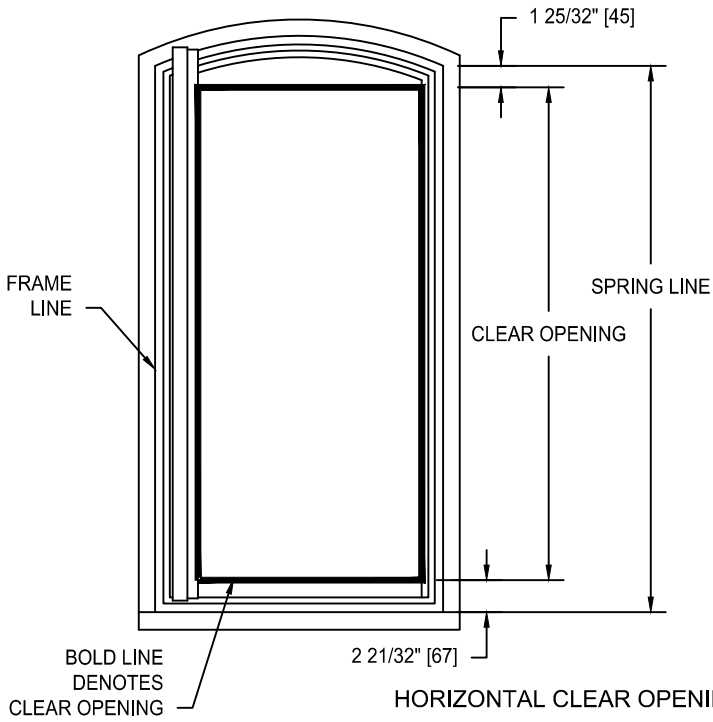
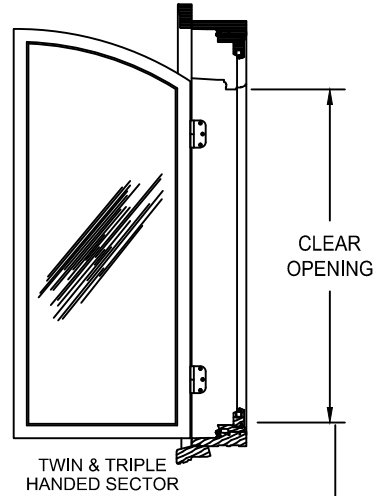
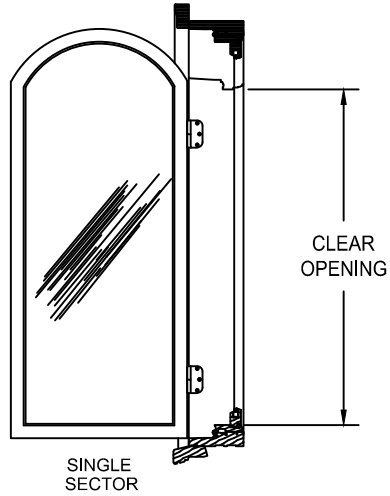
**ELEVATION SYMBOL LEGEND:**

- E** BASIC UNIT CLEAR OPENING EXCEEDS 20" IN WIDTH, 24" IN HEIGHT & A MINIMUM OF 5.7 SQ. FT.
- E\*** BASIC UNIT CLEAR OPENING REQUIRES EGRESS HINGES TO EXCEED 20" IN WIDTH, 24" IN HEIGHT & A MINIMUM OF 5.7 SQ. FT.
- E1** BASIC UNIT CLEAR OPENING EXCEEDS 20" IN WIDTH, 24" IN HEIGHT & A MINIMUM OF 5.0 SQ. FT.
- S** STATIONARY UNIT
- ##** NUMBER INDICATES DESIGN PRESSURE (DP) RATING WITH STANDARD GLAZING. OPERATING UNITS UTILIZE THE R65 LOCKING SYSTEM FOR DP RATINGS.

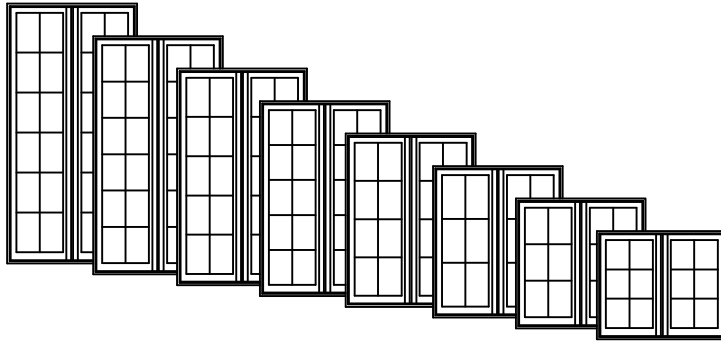
**CLEAR OPENING INFORMATION  
SECTOR TOP CASEMENTS**

**CLEAR OPENINGS**

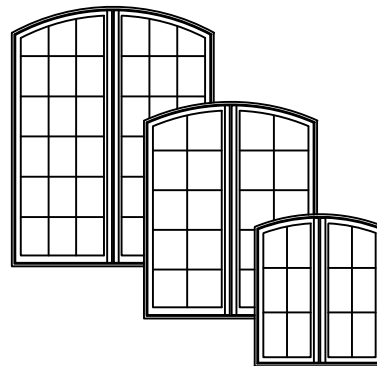
THE CLEAR OPENINGS SHOWN ABOVE ILLUSTRATE THE VERTICAL CLEAR OPENING TO THE INTERIOR SPRINGLINE OF FRAME FEATURES.





GENERAL INFORMATION  
FRENCH CASEMENTS

Straightline windows



Open bottom sector top windows

Custom french wood casement windows are available as left sash active operation only, or stationary (non-venting). Operating mechanism includes corrosion resistant steel hinges and dual arm roto-type operators with hardened steel gears and operating arms. Sash locking system is a concealed cam and keeper type with an exposed locking lever at the sill operator cover. Refer to the Specifications for hardware finish options.

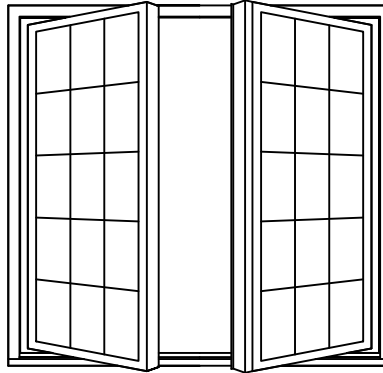
CUSTOM WOOD FRENCH CASEMENTS utilize some of the same options as WOOD Custom CASEMENTS & WOOD SECTOR TOP CASEMENTS.

Note: Wood Book Coded Sector Tops use the same sash as the roll form clad sash, just without the roll form cladding.

HANDING, OPERATION & LIMIT DEVICE  
FRENCH CASEMENTS

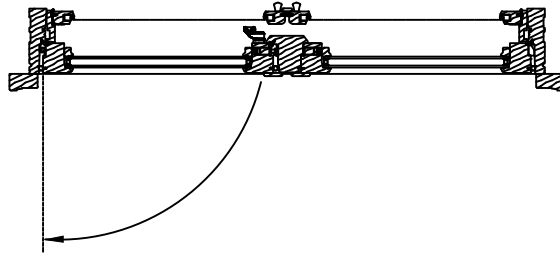
ILLUSTRATIONS ARE NOT DRAWN TO SCALE

**FRENCH CASEMENT HANDING:**  
FRENCH CASEMENT WINDOWS ARE HANDED WITH THE LEFT SASH AS THE ACTIVE SASH AND THE RIGHT SASH AS THE INACTIVE SASH.

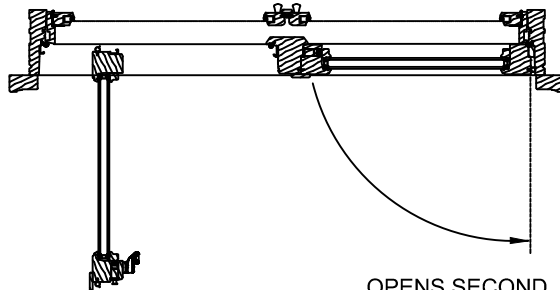


**FRENCH CASEMENT OPERATION:**  
FRENCH CASEMENT WINDOWS ARE OPERATED WITH THE LEFT SASH OPENED FIRST THEN THE RIGHT SASH OPENED SECOND. TO CLOSE THE WINDOW THE RIGHT SASH IS CLOSED FIRST WITH THE LEFT SASH CLOSING SECOND. THIS OPERATION IS VIEWED FROM THE EXTERIOR.  
**WOOD BOOK CODED SECTOR TOPS UNITS** - HAVE THE SAME SASH AS THE ROLL FORM CLAD SASH, JUST WITHOUT THE ROLL FORM CLADDING.

LEFT ACTIVE      RIGHT INACTIVE



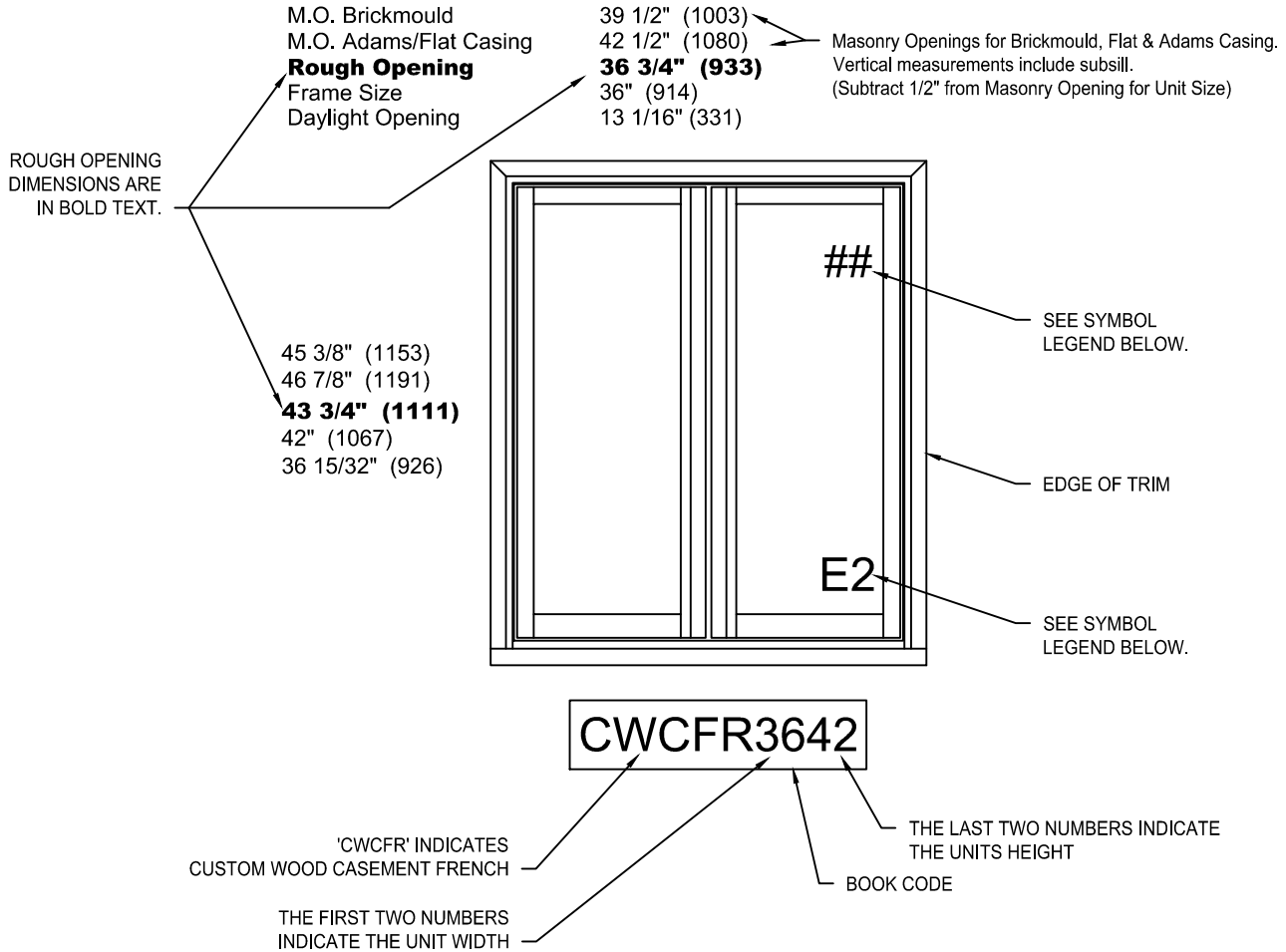
OPENS FIRST  
CLOSSES SECOND



OPENS SECOND  
CLOSSES FIRST

**ELEVATION NOTES  
FRENCH CASEMENTS**

ELEVATION DRAWINGS UTILIZE A LIMITED NUMBER OF PROJECTED LINES TO PRODUCE A RUDIMENTARY DRAWING INTENDED TO BE USED IN A SMALL GRAPHICAL SCALE. ELEVATIONS ARE VIEWED PERPENDICULAR FROM THE EXTERIOR OF THE STRUCTURE. IF MORE DIMENSIONS ARE NEEDED, USE THE SECTION DRAWINGS FOR MORE COMPLETE DEPICTIONS.



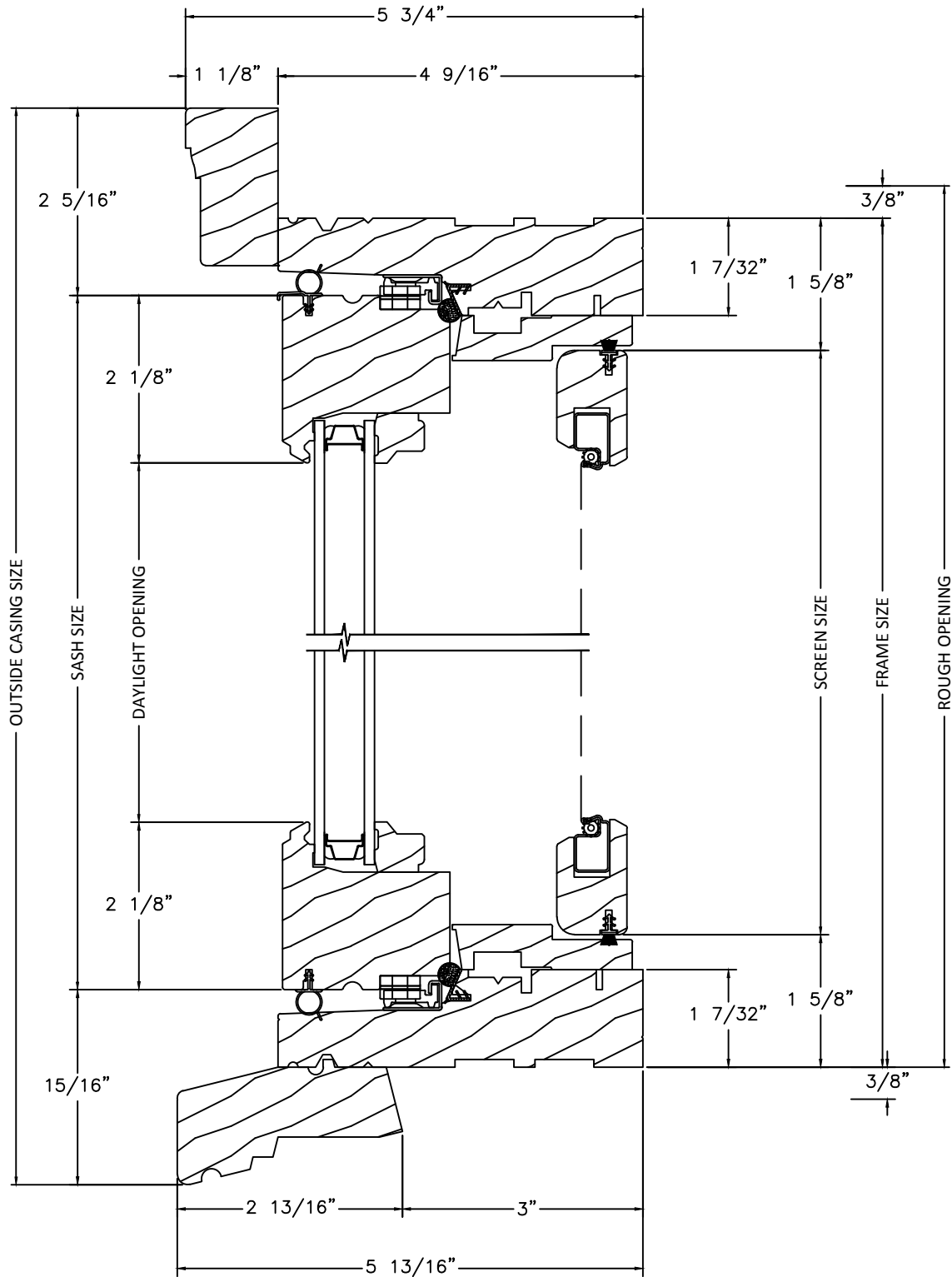
**GENERAL CASEMENT NOTES**

1. UNIT ELEVATIONS ARE SHOWN WITH BRICKMOULD AND SUBSILL.
2. DIMENSIONAL VALUES IN BRACKETS ARE MILLIMETER CONVERSIONS.
3. WOOD BOOK CODED SECTOR TOPS USE THE SAME SASH AS THE ROLL FORM CLAD SASH, JUST WITHOUT THE ROLL FORM CLADDING.

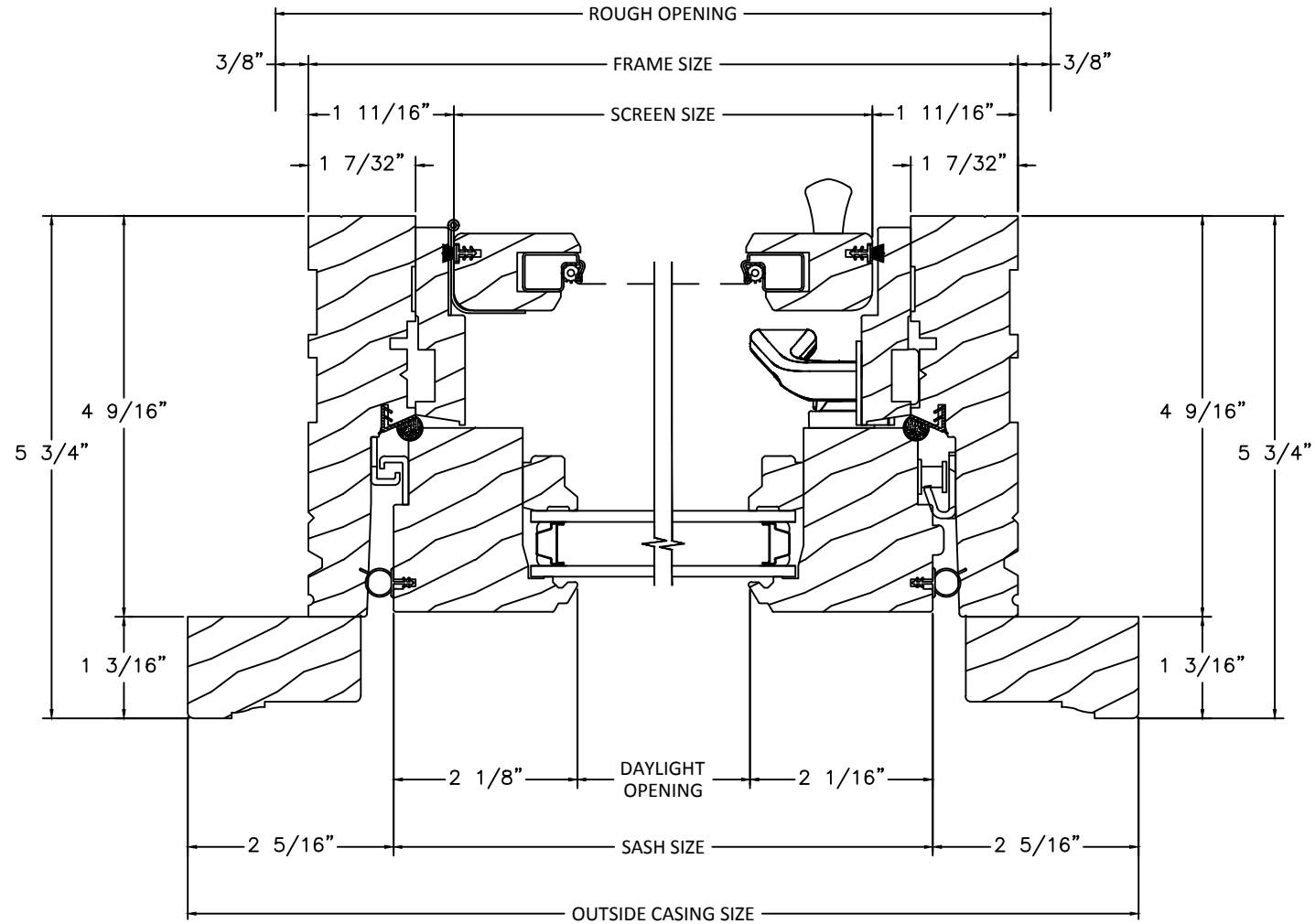
**ELEVATION SYMBOL LEGEND:**

- E** BASIC UNIT CLEAR OPENING EXCEEDS 20" IN WIDTH, 24" IN HEIGHT & A MINIMUM OF 5.7 SQ. FT.
- E\*** BASIC UNIT CLEAR OPENING REQUIRES EGRESS HINGES TO EXCEED 20" IN WIDTH, 24" IN HEIGHT & A MINIMUM OF 5.7 SQ. FT.
- E1** BASIC UNIT CLEAR OPENING EXCEEDS 20" IN WIDTH, 24" IN HEIGHT & A MINIMUM OF 5.0 SQ. FT.
- S** STATIONARY UNIT
- ##** NUMBER INDICATES DESIGN PRESSURE (DP) RATING WITH STANDARD GLAZING. OPERATING UNITS UTILIZE THE R65 LOCKING SYSTEM FOR DP RATINGS.

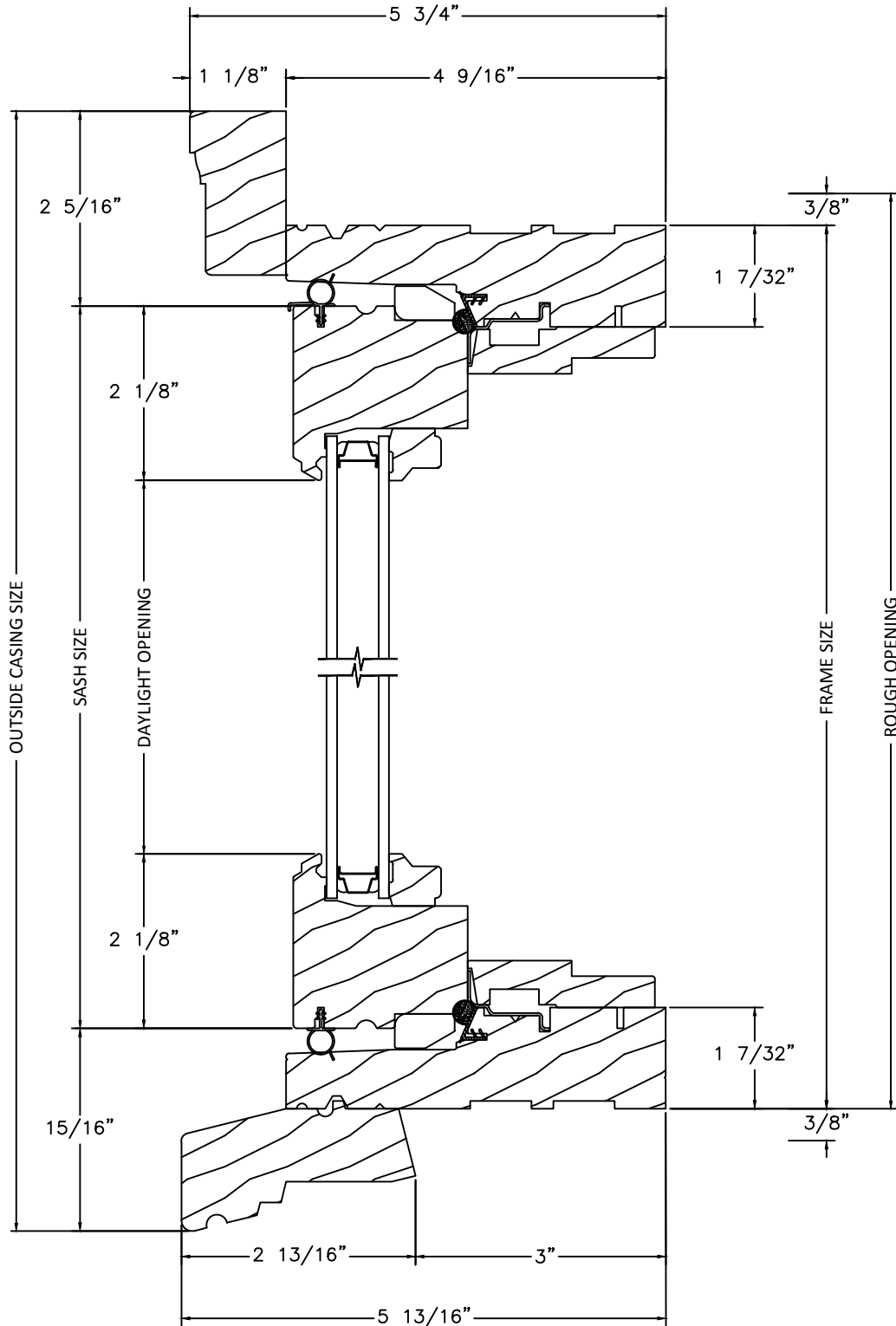
VERTICAL SECTION  
OPERATING UNIT



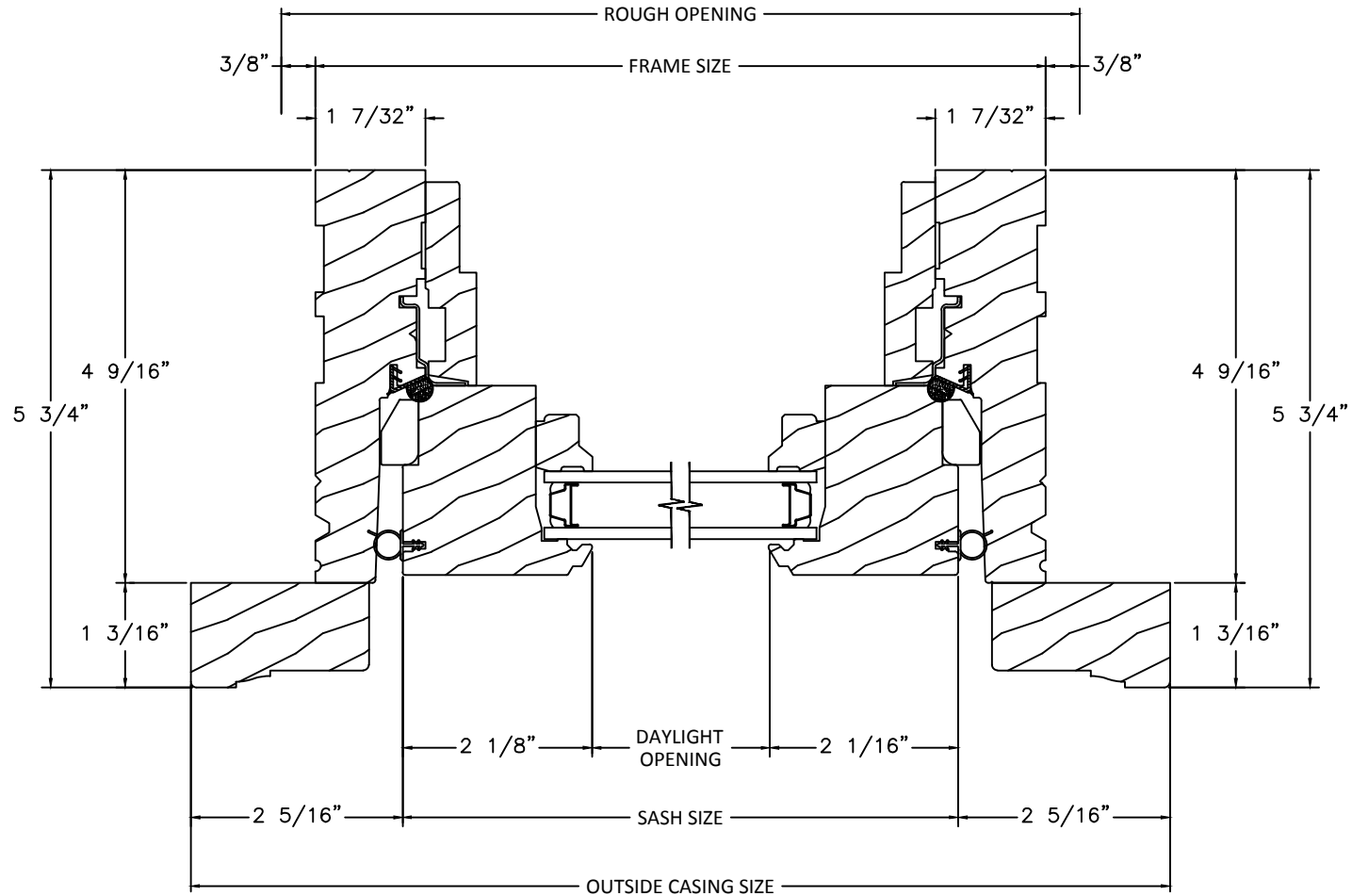
HORIZONTAL SECTION  
OPERATING UNIT



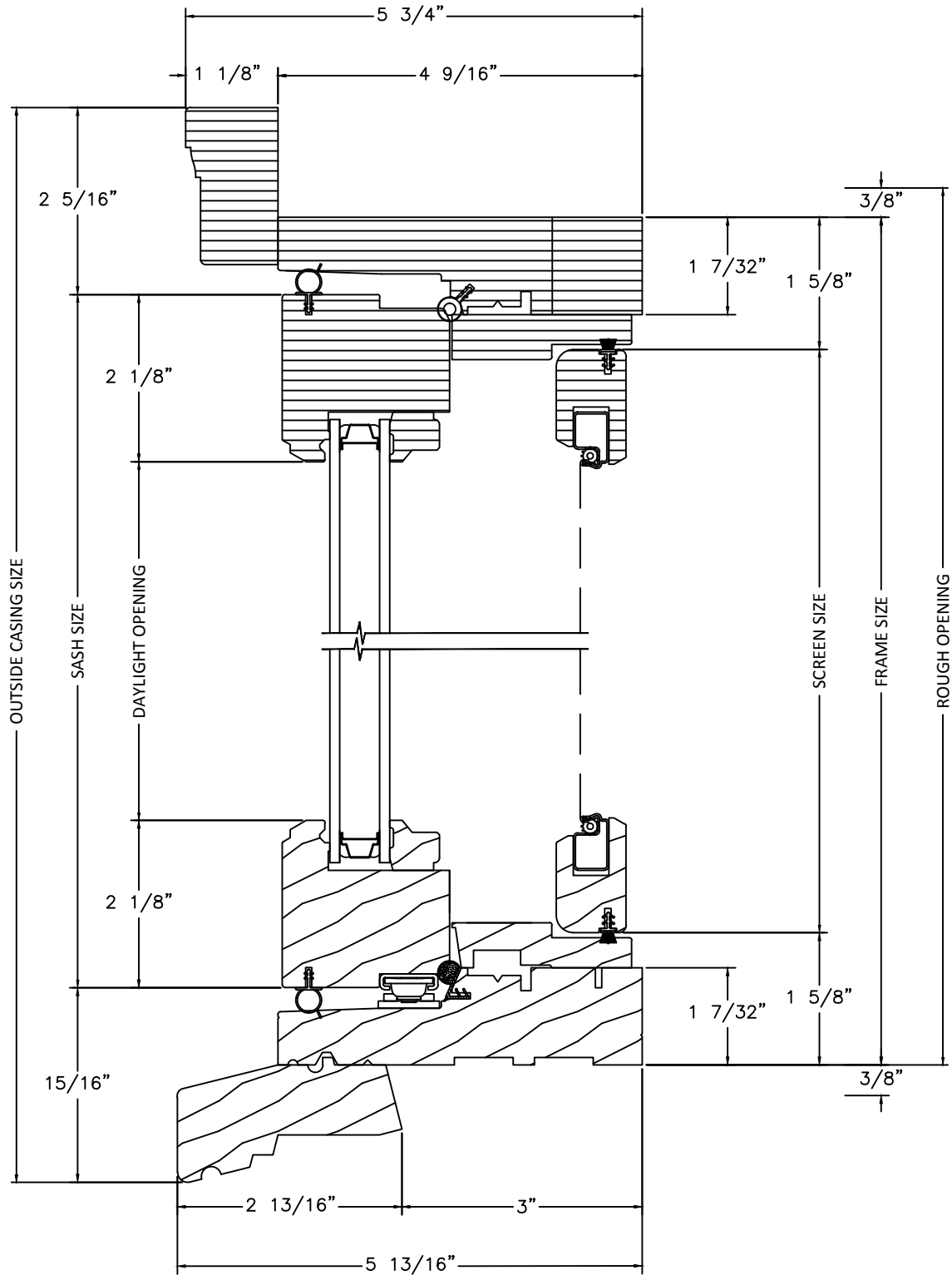
VERTICAL SECTION  
PICTURE UNIT



HORIZONTAL SECTION  
PICTURE UNIT



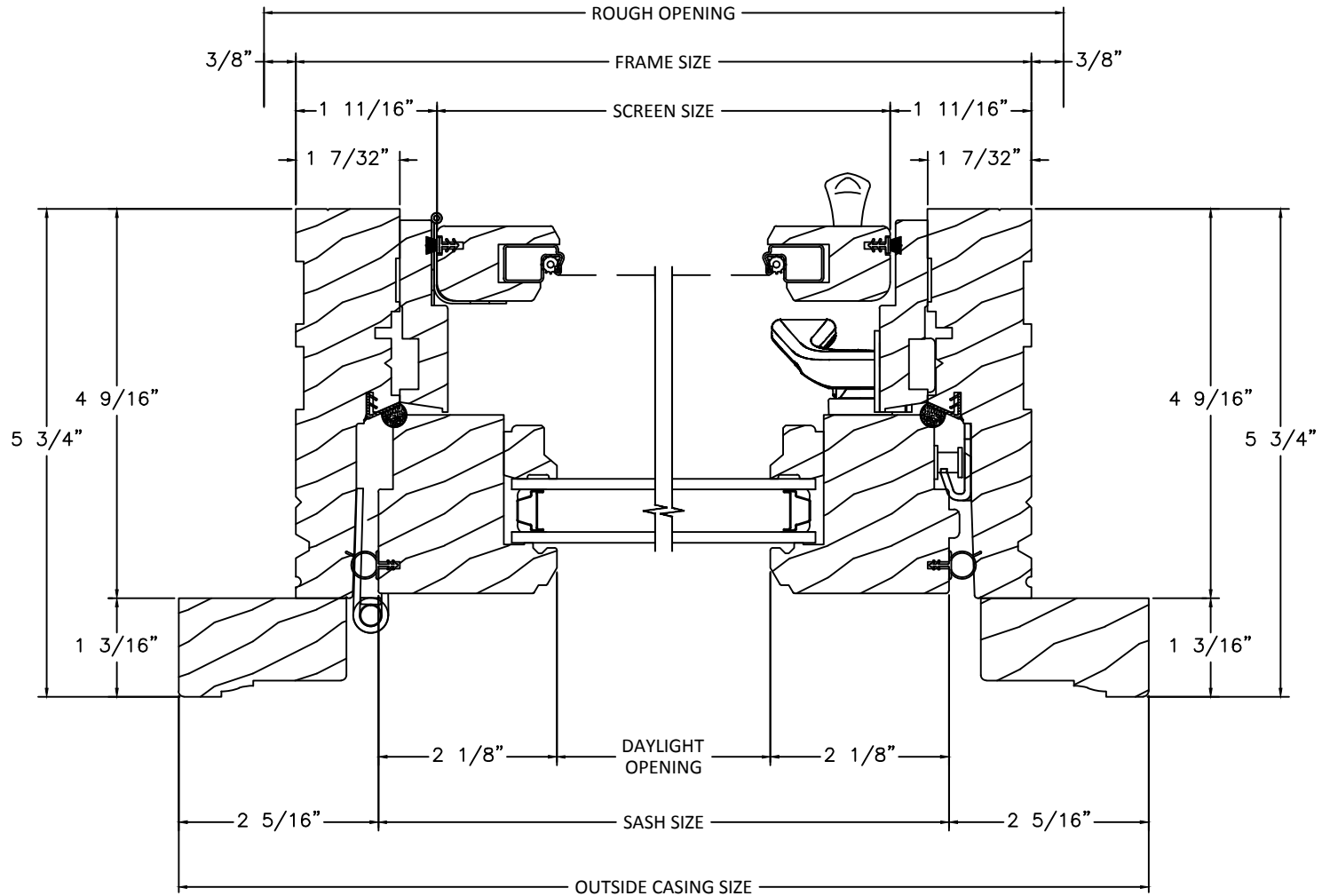
**VERTICAL SECTION  
RADIUS OPERATING UNIT**



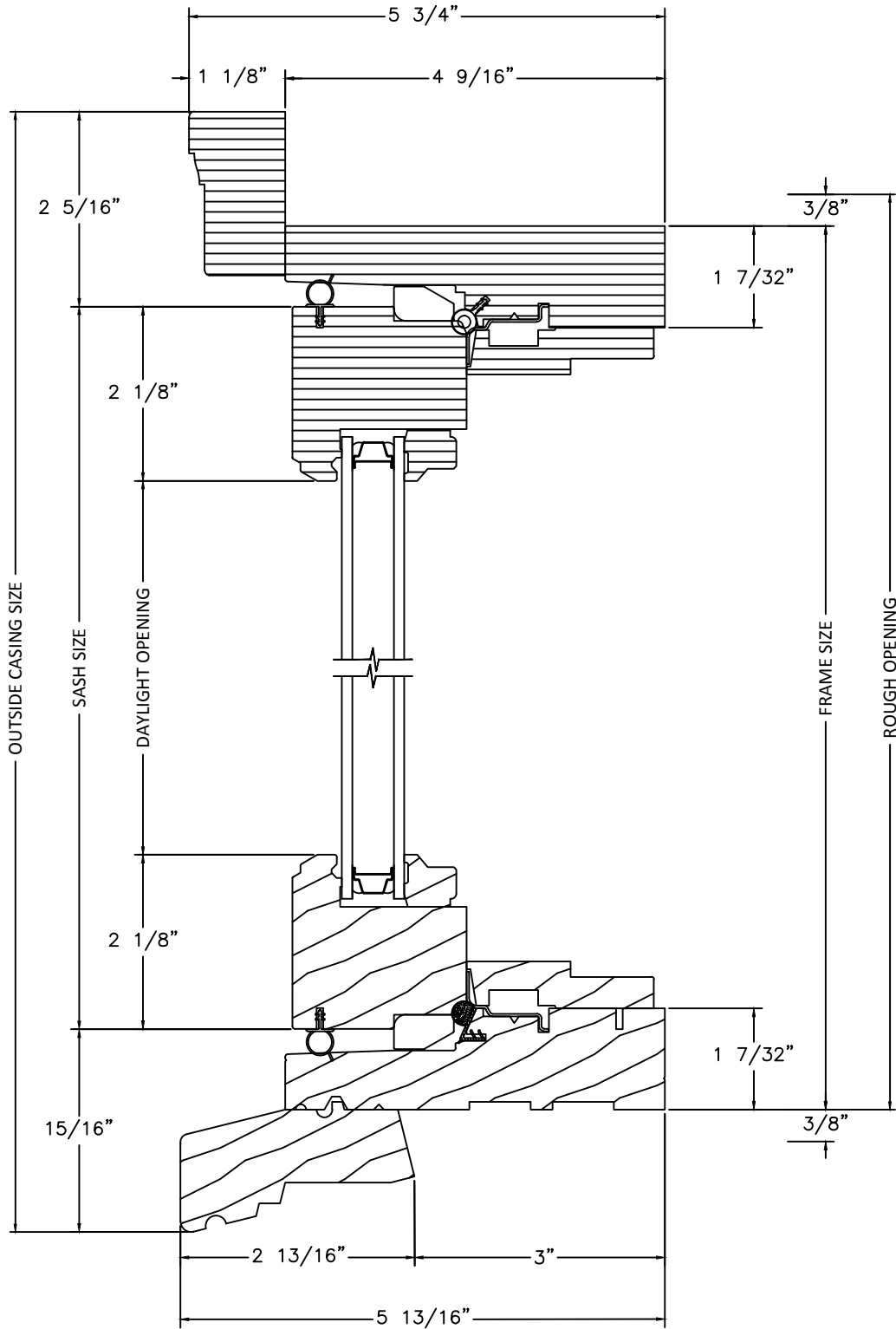
NOTE: OPTIONAL STAY BAR



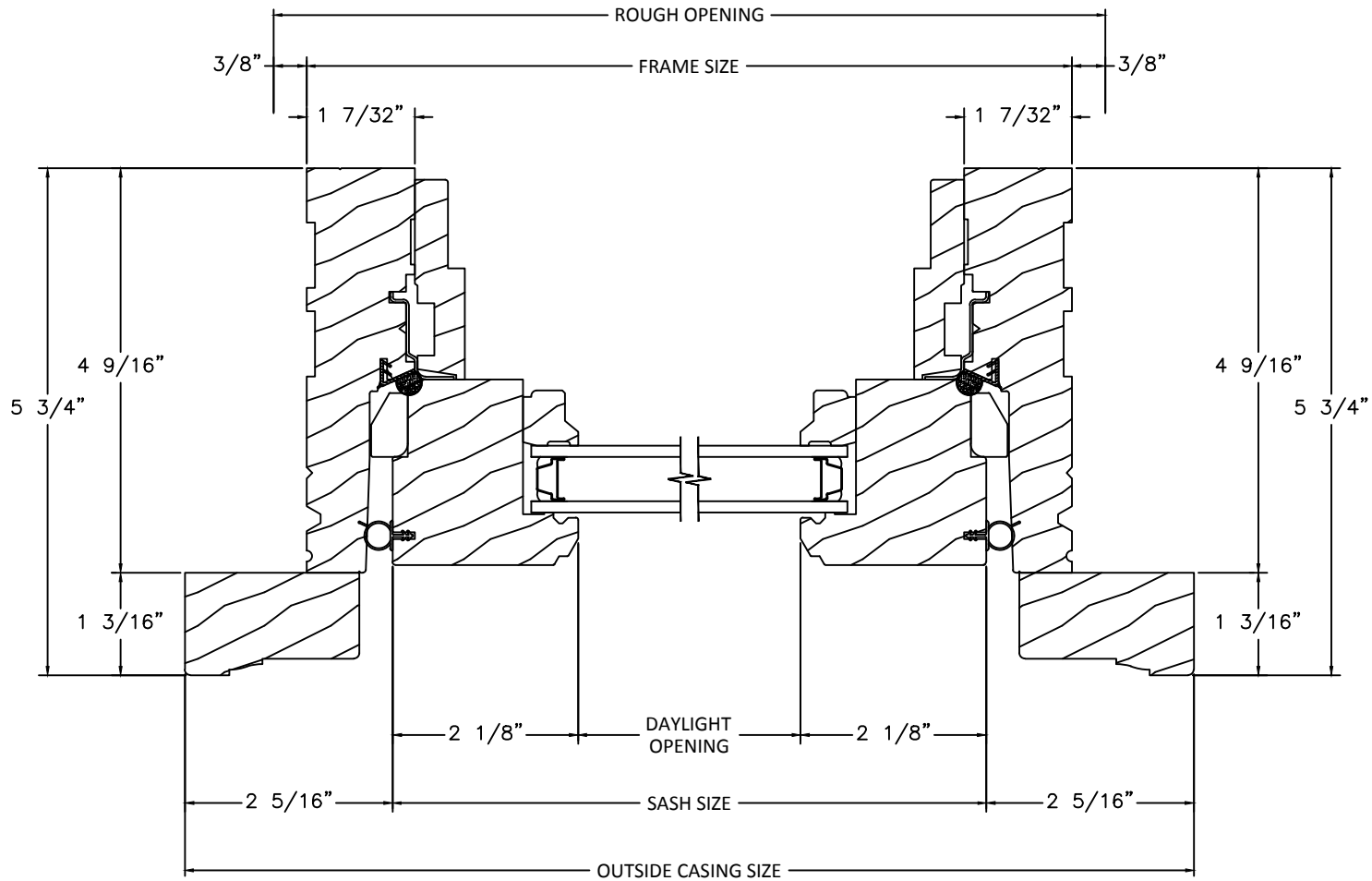
**HORIZONTAL SECTION**  
**RADIUS OPERATING UNIT**



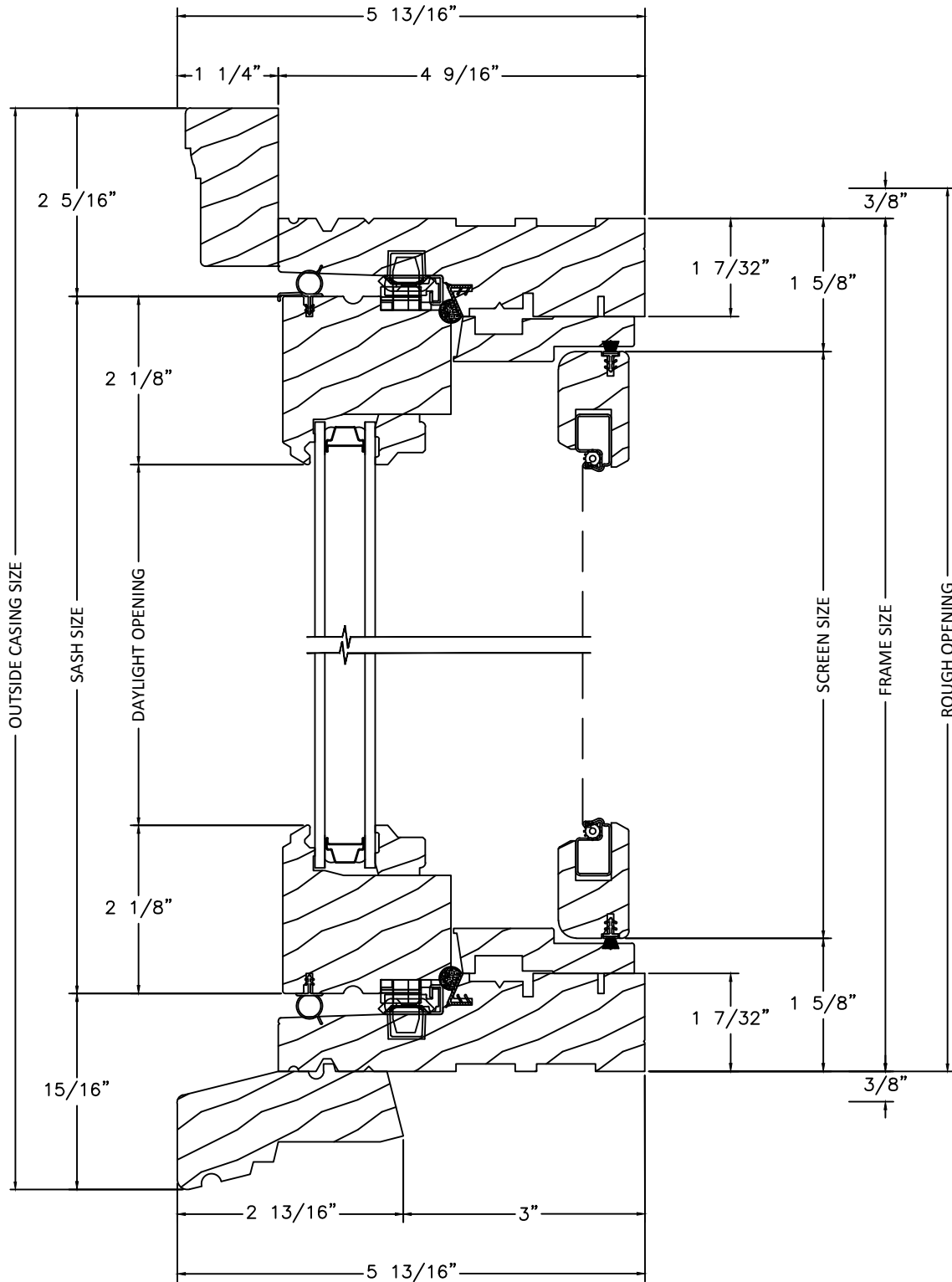
VERTICAL SECTION  
RADIUS STATIONARY UNITS



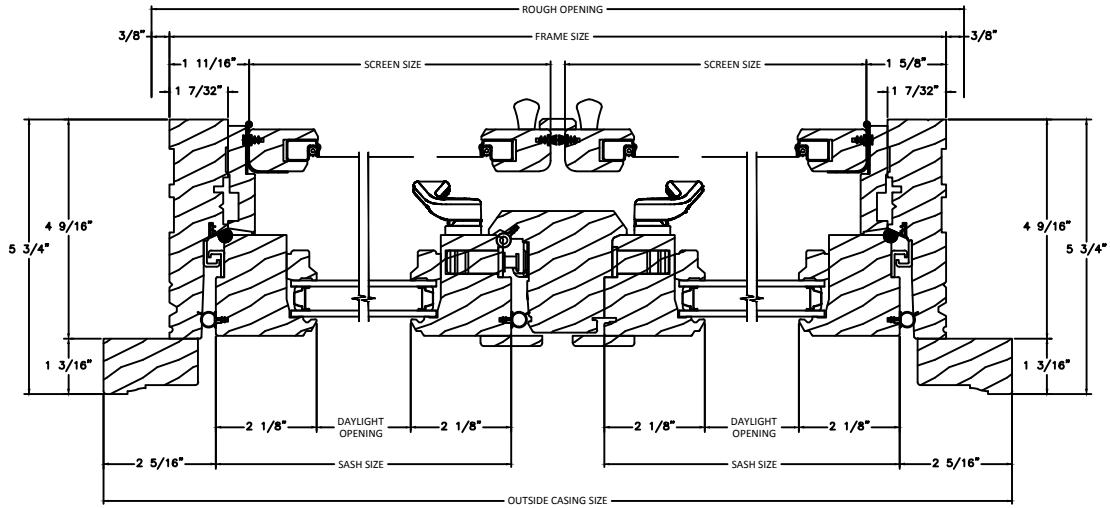
HORIZONTAL SECTION  
RADIUS STATIONARY UNIT



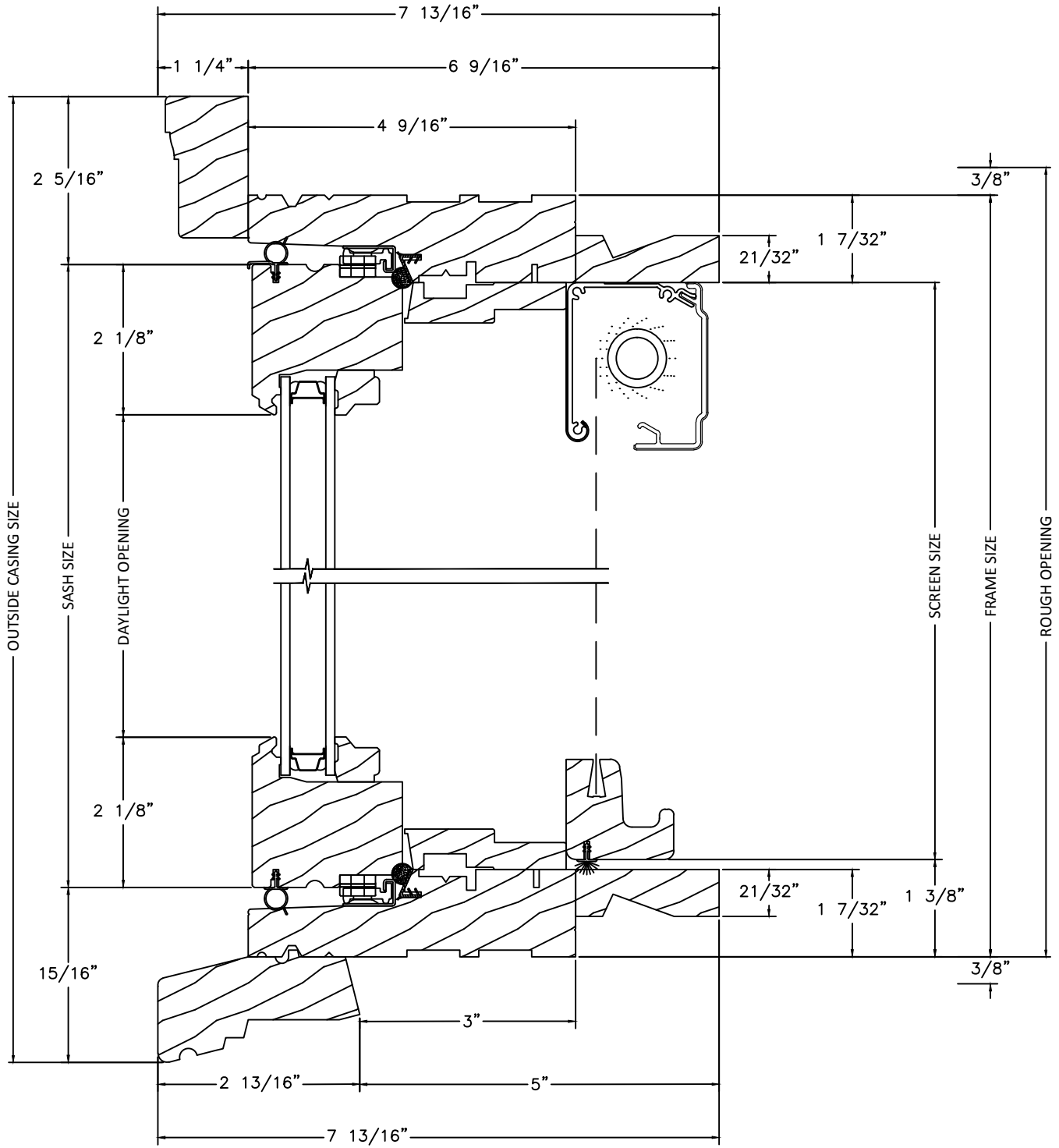
VERTICAL SECTION  
FRENCH CASEMENT UNIT



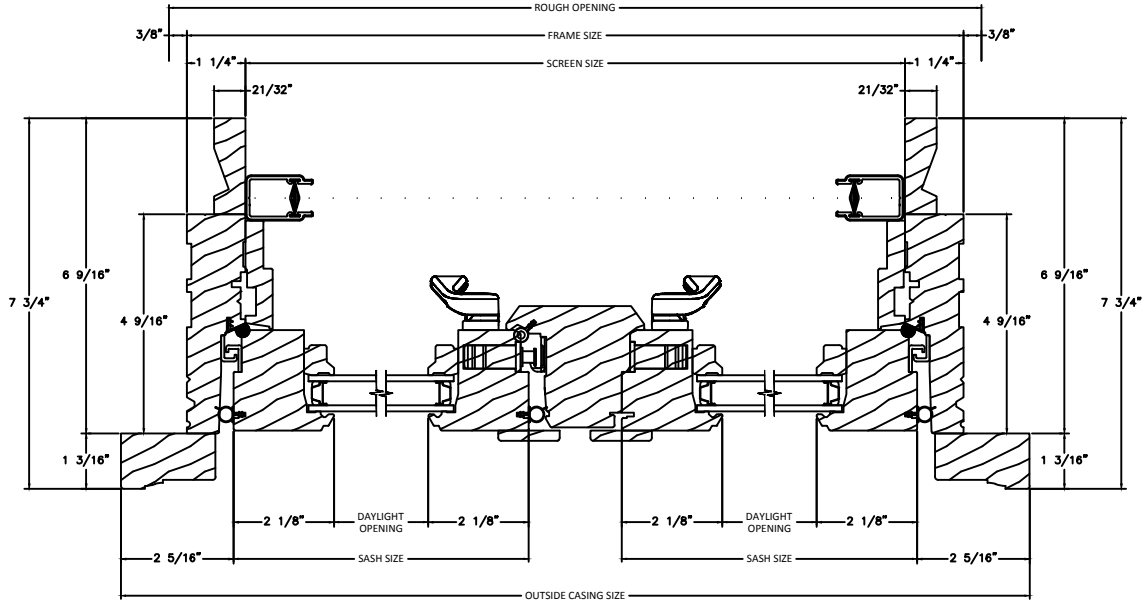
**HORIZONTAL SECTION**  
**FRENCH CASEMENT UNIT**



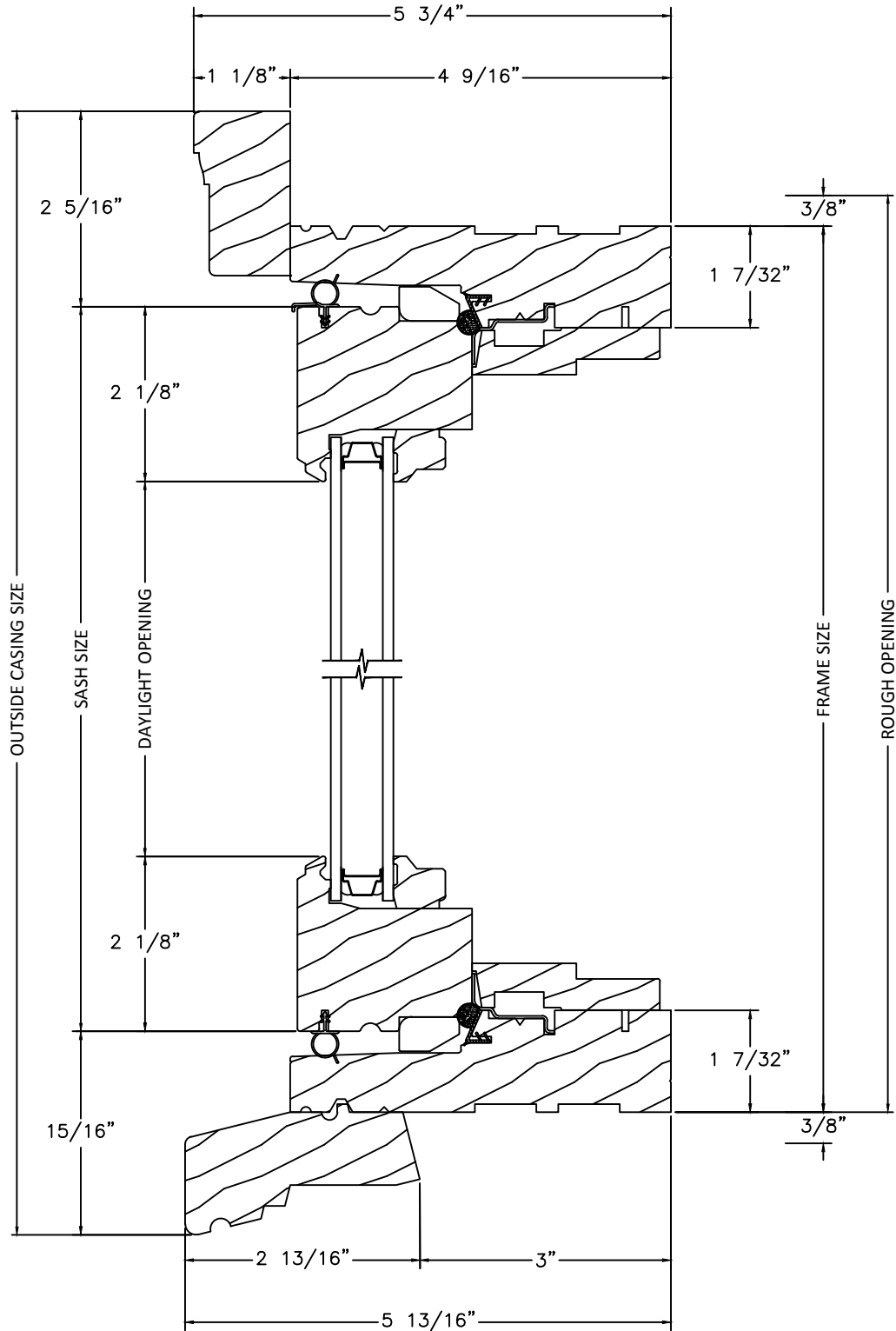
VERTICAL SECTION  
FRENCH CASEMENT UNIT WITH PHANTOM SCREEN



**HORIZONTAL SECTION**  
**FRENCH CASEMENT UNIT WITH PHANTOM SCREEN**

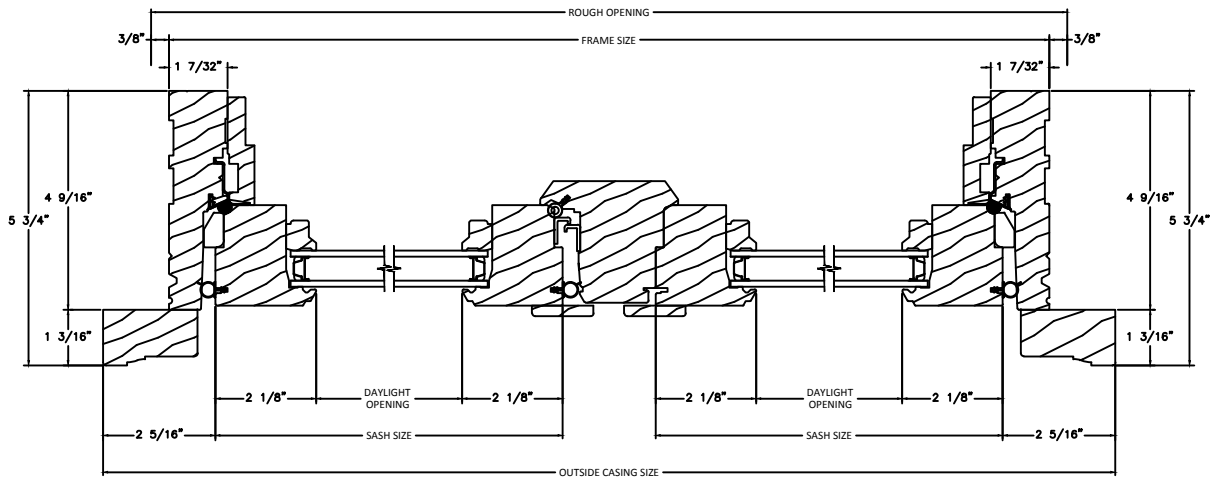


VERTICAL SECTION  
FRENCH CASEMENT STATIONARY UNIT

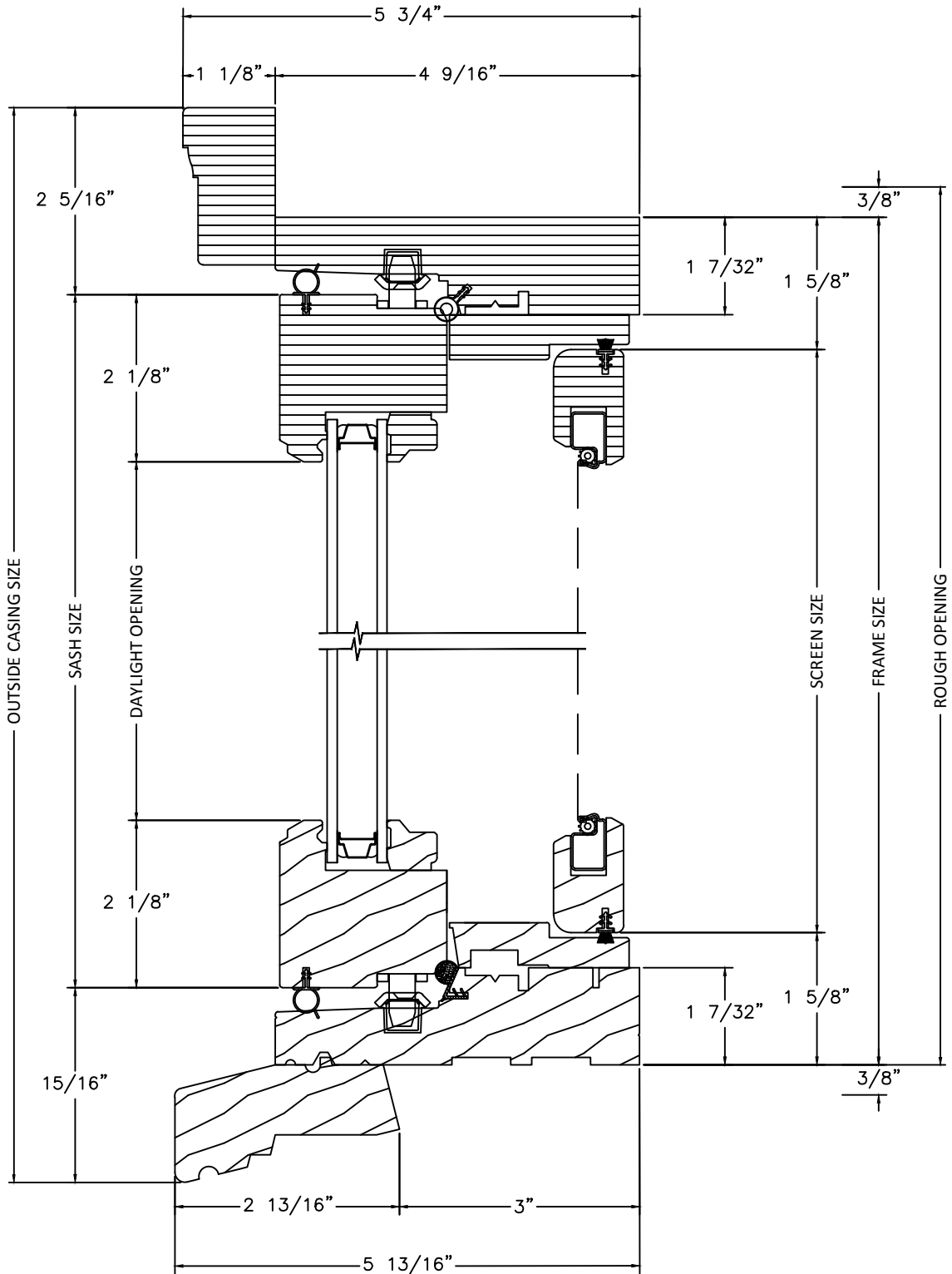




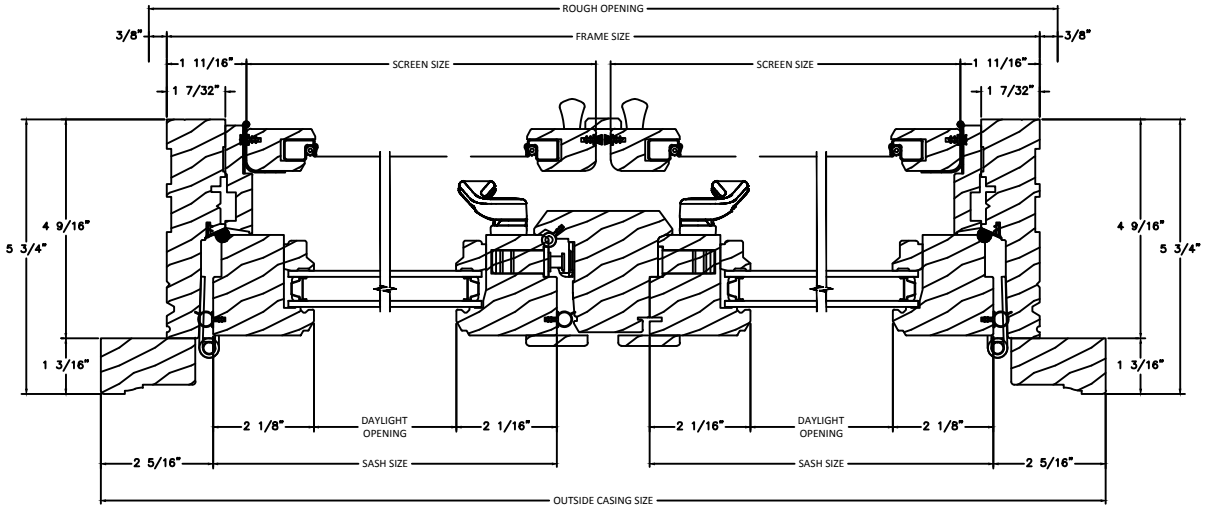
**HORIZONTAL SECTION**  
**FRENCH CASEMENT STATIONARY UNIT**



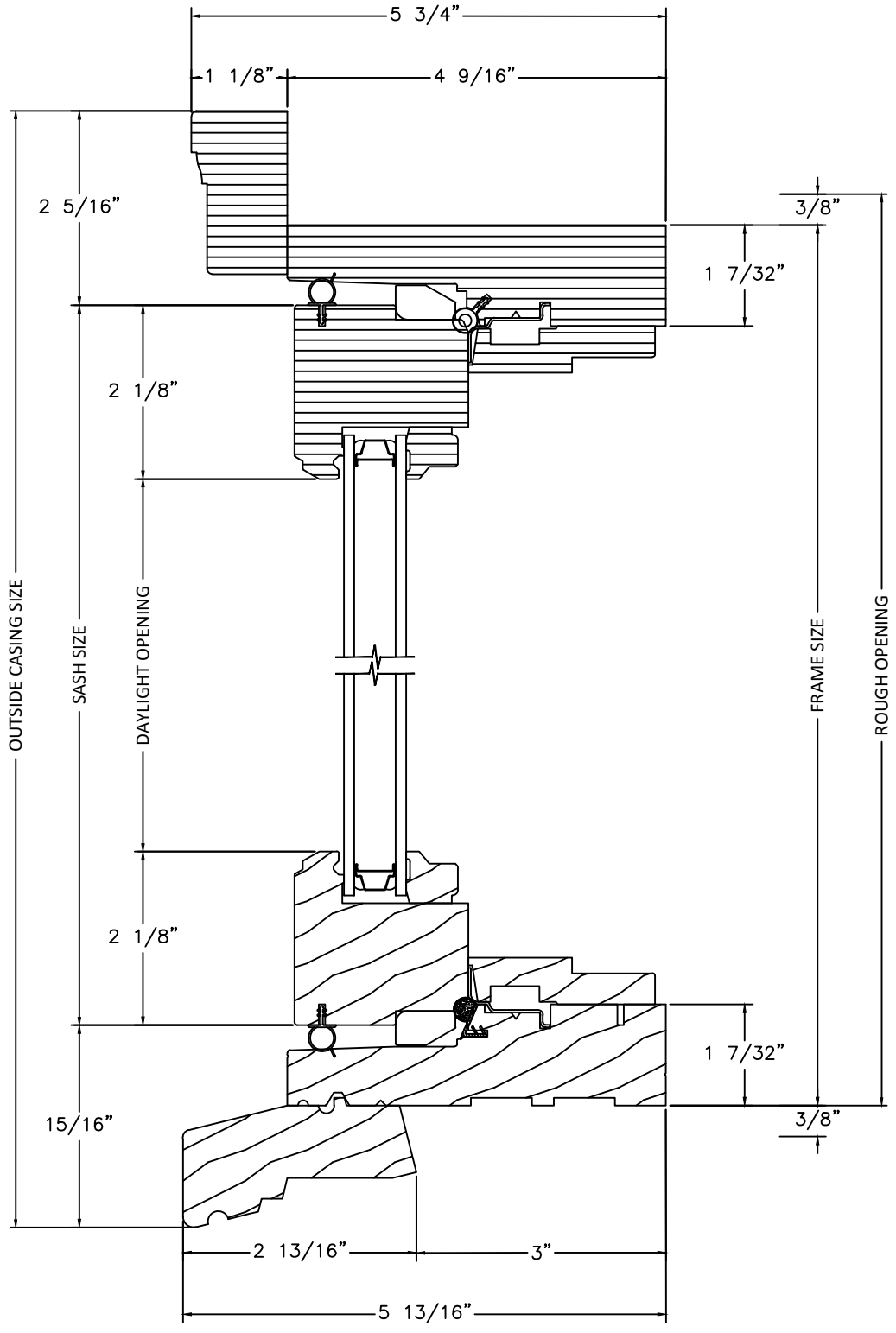
VERTICAL SECTION  
FRENCH RADIUS OPERATING UNIT



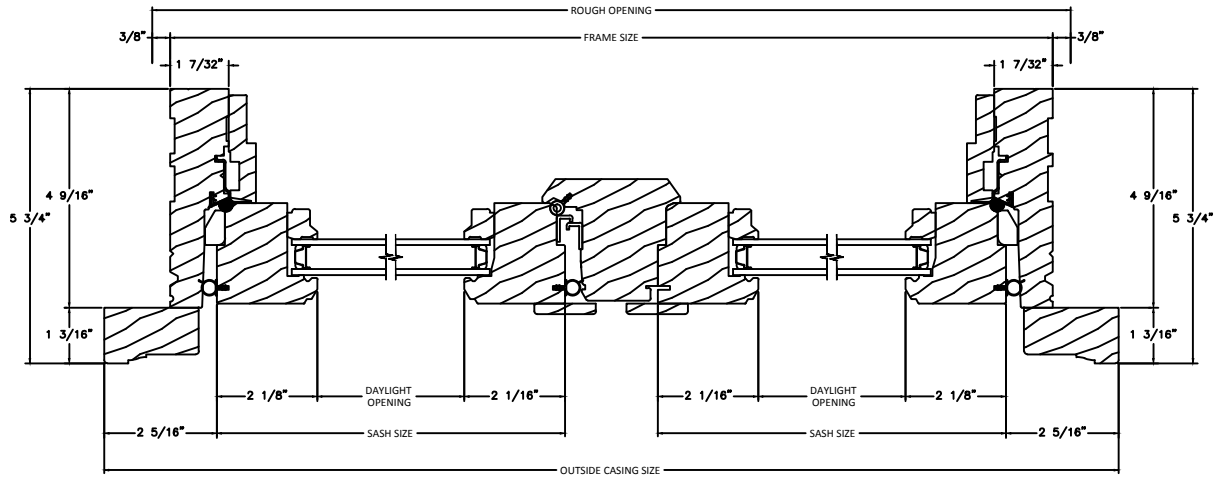
**HORIZONTAL SECTION**  
**FRENCH RADIUS OPERATING UNITS**



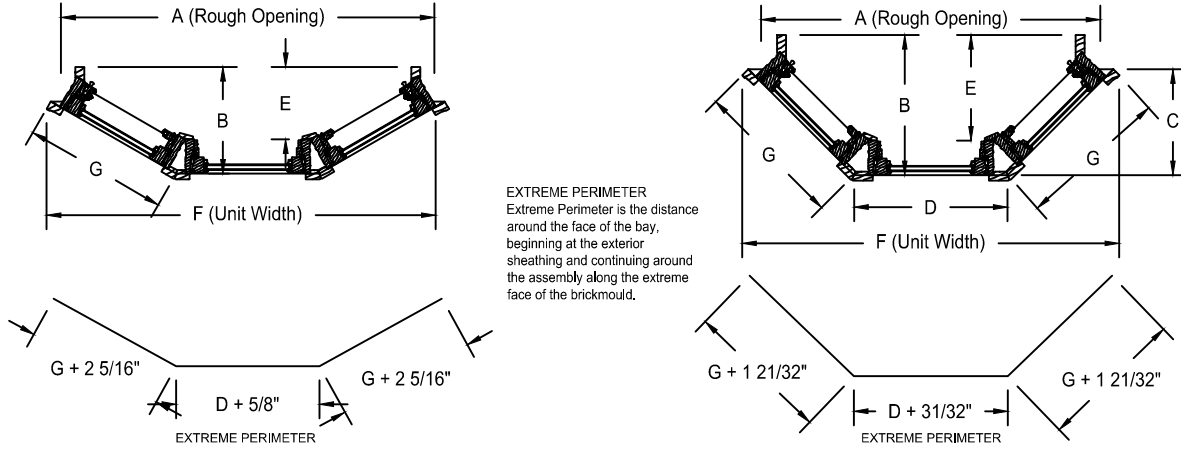
VERTICAL SECTION  
FRENCH RADIUS STATIONARY UNITS



**HORIZONTAL SECTION**  
**FRENCH RADIUS STATIONARY UNIT**

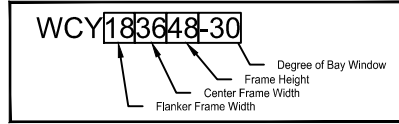


**BAY WINDOW HORIZONTAL SPECIFICATION**  
**TABLES**



**EXTREME PERIMETER**  
Extreme Perimeter is the distance around the face of the bay, beginning at the exterior sheathing and continuing around the assembly along the extreme face of the brickmould.

BOOKCODE NOTE:



30° BAY										
Flanker Width	Center Width	A Rough Opening	F Unit Width	B Overall Projection*	C Projection Exterior Wall	E Seating Depth*	D Outside Mull To Mull	G Outside Mull To Unit		
18	18	53 3/4	57 9/32	14 1/16	10 5/16	10 5/16	20 7/16	20 19/32		
18	36	71 3/4	75 9/32	14 1/16	10 5/16	10 5/16	38 7/16	20 19/32		
18	42	77 3/4	81 9/32	14 1/16	10 5/16	10 5/16	44 7/16	20 19/32		
18	48	83 3/4	87 9/32	14 1/16	10 5/16	10 5/16	50 7/16	20 19/32		
18	60	95 3/4	99 9/32	14 1/16	10 5/16	10 5/16	62 7/16	20 19/32		
18	72	107 3/4	111 9/32	14 1/16	10 5/16	10 5/16	74 7/16	20 19/32		

24	24	70 1/8	73 11/16	17 1/16	13 5/16	13 5/16	26 7/16	26 19/32		
24	36	82 1/8	85 11/16	17 1/16	13 5/16	13 5/16	38 7/16	26 19/32		
24	42	88 1/8	91 11/16	17 1/16	13 5/16	13 5/16	44 7/16	26 19/32		
24	48	94 1/8	97 11/16	17 1/16	13 5/16	13 5/16	50 7/16	26 19/32		
24	60	106 1/8	109 11/16	17 1/16	13 5/16	13 5/16	62 7/16	26 19/32		
24	72	118 1/8	121 11/16	17 1/16	13 5/16	13 5/16	74 7/16	26 19/32		

28	28	81 1/16	84 19/32	19 1/16	15 5/16	15 5/16	30 7/16	30 19/32		
28	36	89 1/16	92 19/32	19 1/16	15 5/16	15 5/16	38 7/16	30 19/32		
28	42	95 1/16	98 19/32	19 1/16	15 5/16	15 5/16	44 7/16	30 19/32		
28	48	101 1/16	104 19/32	19 1/16	15 5/16	15 5/16	50 7/16	30 19/32		
28	60	113 1/16	116 19/32	19 1/16	15 5/16	15 5/16	62 7/16	30 19/32		
28	72	125 1/16	128 19/32	19 1/16	15 5/16	15 5/16	74 7/16	30 19/32		

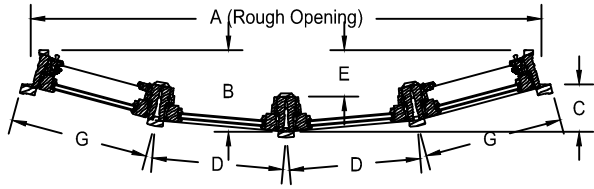
45° BAY										
Flanker Width	Center Width	A Rough Opening	F Unit Width	B Overall Projection*	C Projection Exterior Wall	E Seating Depth*	D Outside Mull To Mull	G Outside Mull To Unit		
18	18	48 3/4	53 1/2	19 5/8	15 1/16	15 1/16	21 25/32	21 9/32		
18	36	66 3/4	71 1/2	19 5/8	15 1/16	15 1/16	39 25/32	21 9/32		
18	42	72 3/4	77 1/2	19 5/8	15 1/16	15 1/16	45 25/32	21 9/32		
18	48	78 3/4	83 1/2	19 5/8	15 1/16	15 1/16	51 25/32	21 9/32		
18	60	90 3/4	95 1/2	19 5/8	15 1/16	15 1/16	63 25/32	21 9/32		
18	72	102 3/4	107 1/2	19 5/8	15 1/16	15 1/16	75 25/32	21 9/32		

24	24	63 1/4	68	23 1/16	19 5/16	19 5/16	27 25/32	27 9/32		
24	36	75 1/4	80	23 1/16	19 5/16	19 5/16	39 25/32	27 9/32		
24	42	81 1/4	86	23 1/16	19 5/16	19 5/16	45 25/32	27 9/32		
24	48	87 1/4	92	23 1/16	19 5/16	19 5/16	51 25/32	27 9/32		
24	60	99 1/4	104	23 1/16	19 5/16	19 5/16	63 25/32	27 9/32		
24	72	111 1/4	116	23 1/16	19 5/16	19 5/16	75 25/32	27 9/32		

28	28	72 7/8	77 21/32	26 11/16	22 1/8	22 1/8	31 25/32	31 9/32		
28	36	80 7/8	85 21/32	26 11/16	22 1/8	22 1/8	39 25/32	31 9/32		
28	42	86 7/8	91 21/32	26 11/16	22 1/8	22 1/8	45 25/32	31 9/32		
28	48	92 7/8	97 21/32	26 11/16	22 1/8	22 1/8	51 25/32	31 9/32		
28	60	104 7/8	109 21/32	26 11/16	22 1/8	22 1/8	63 25/32	31 9/32		
28	72	116 7/8	121 21/32	26 11/16	22 1/8	22 1/8	75 25/32	31 9/32		

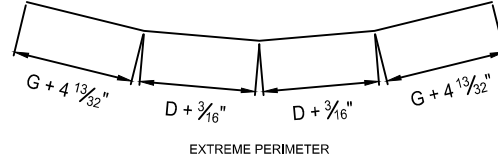
4 9/16 and 6 9/16 WALL APPLICATION  
The tables above reflect a 4 9/16" wall application. To convert to 6 9/16" wall application add 2" to the figures in the columns which show an asterisk (\*), B and E.

**BOW WINDOW HORIZONTAL  
SPECIFICATION TABLES**

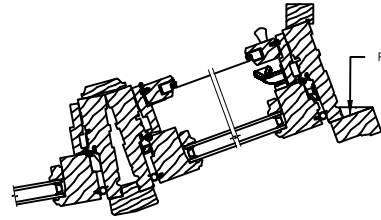
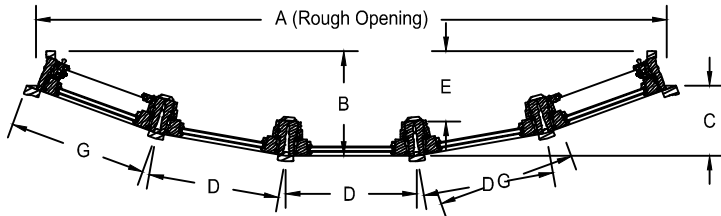


**EXTREME PERIMETER**  
Extreme Perimeter is the distance around the face of the bow, beginning at the exterior sheathing and continuing around the assembly along the extreme face of the brickmould.

4 WIDE BOW									
Flanker Width	A	F	B*	C	E*	D	G	R	
	Rough Opening	Unit Width	Overall Projection	Projection Exterior Wall	Seating Depth	Outside Mull To Mull	Outside Mull To Unit	Radius	
18	73 9/16	76 15/64	11 21/64	6 49/64	6 49/64	18 13/16	19 25/32	107 15/16	
24	97 1/8	99 25/32	13 25/64	8 53/64	8 53/64	24 13/16	25 25/32	142 3/8	
28	112 13/16	115 15/32	14 25/32	10 7/32	10 7/32	28 13/16	29 25/32	165 5/16	

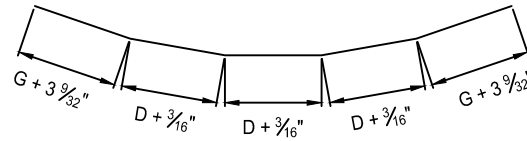


**EXTREME PERIMETER**

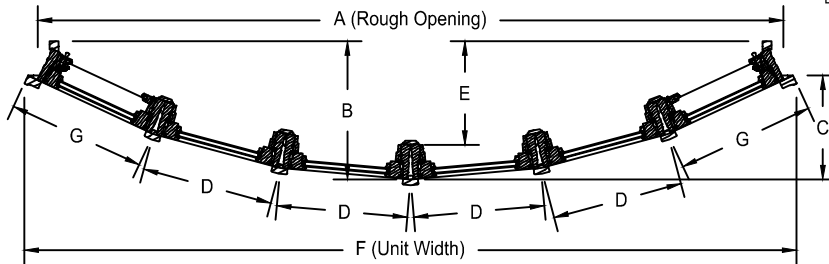


**RADIUS NOTE:** The Radius of a Bow Window is referenced from the interior of the Brickmould.

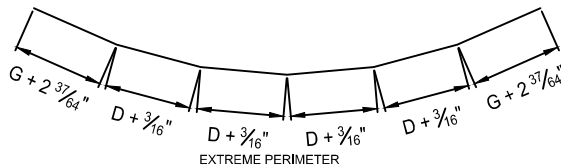
5 WIDE BOW									
Flanker Width	A	F	B*	C	E*	D	G	R	
	Rough Opening	Unit Width	Overall Projection	Projection Exterior Wall	Seating Depth	Outside Mull To Mull	Outside Mull To Unit	Radius	
18	90 7/8	93 25/32	14 19/32	10 1/32	10 1/32	18 13/16	19 25/32	107 15/16	
24	119 15/16	122 1/16	17 11/16	13 1/8	13 1/8	24 13/16	25 25/32	142 3/8	
28	139 5/16	142 17/64	19 3/4	15 3/16	15 3/16	28 13/16	29 25/32	165 5/16	



**EXTREME PERIMETER**



6 WIDE BOW									
Flanker Width	A	F	B*	C	E*	D	G	R	
	Rough Opening	Unit Width	Overall Projection	Projection Exterior Wall	Seating Depth	Outside Mull To Mull	Outside Mull To Unit	Radius	
18	107 3/8	110 39/64	19 27/64	14 55/64	14 55/64	18 13/16	19 25/32	107 15/16	
24	141 13/16	145 1/32	24 3/64	19 31/64	19 31/64	24 13/16	25 25/32	142 3/8	
28	164 3/4	167 31/32	27 7/64	22 35/64	22 35/64	28 13/16	29 25/32	165 5/16	



**EXTREME PERIMETER**

**4 9/16 and 6 9/16 WALL APPLICATION**  
The tables above reflect a 4 9/16" wall application. To convert to 6 9/16" wall application add 2" to the figures in the columns which show an asterisk (\*), B and E.

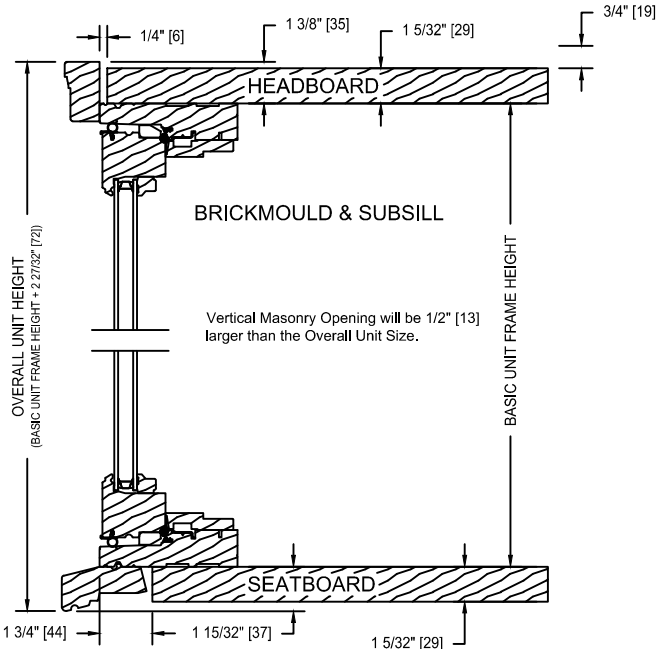
**BAY & BOW WINDOW ROUGH OPENINGS**

**BAY & BOW WINDOW TRIM OPTIONS**

The standard offering for wood bay & bow windows is 'frame only', brickmould and subsill, subsill only, and brickmould on all sides. Other trim options subject to approval. Rough & Masonry openings remain consistent with all trim options.

**VERTICAL ROUGH OPENING**

Rough Opening typical for all Units

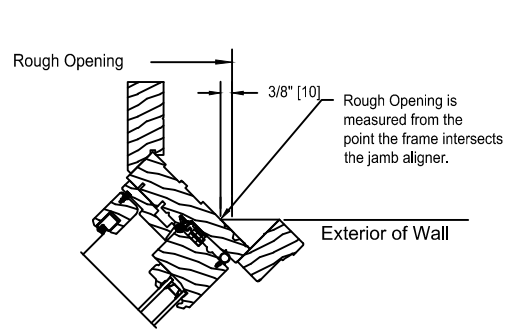


**BRICKMOULD & SUBSILL**

Vertical Masonry Opening will be 1/2" [13] larger than the Overall Unit Size.

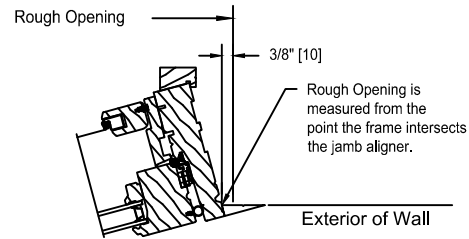
**HORIZONTAL ROUGH OPENING**

Rough Opening typical for all Units



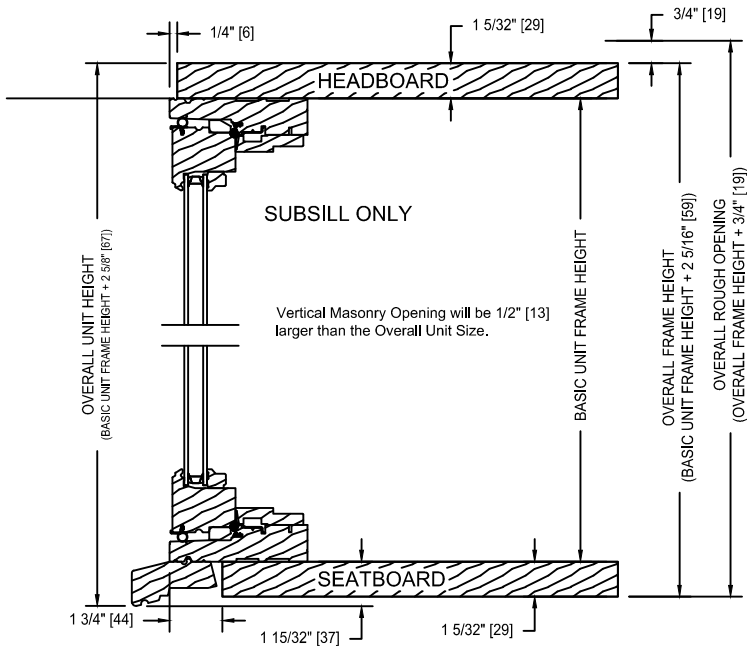
**30° & 45° BAYS**

45° Bay Shown with Brickmould



**4, 5 & 6 WIDE BOWS**

4 Wide Bow Shown without trim



**SUBSILL ONLY**

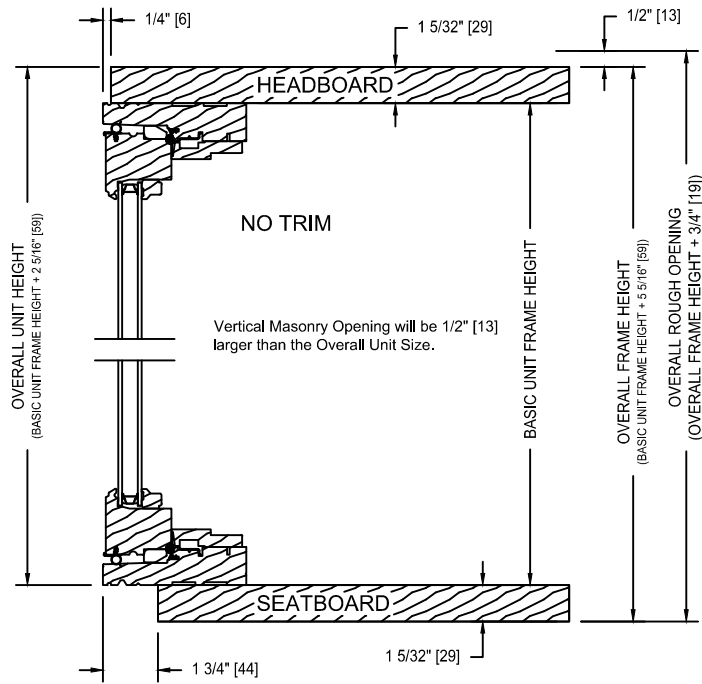
Vertical Masonry Opening will be 1/2" [13] larger than the Overall Unit Size.



**BAY & BOW WINDOW ROUGH OPENINGS**

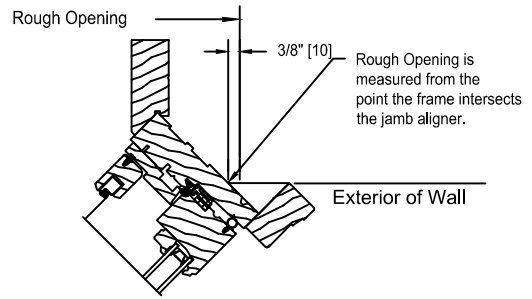
**VERTICAL ROUGH OPENING**

Rough Opening typical for all Units

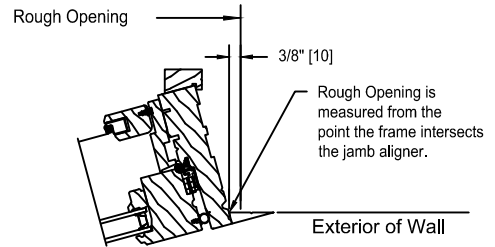


**HORIZONTAL ROUGH OPENING**

Rough Opening typical for all Units



**30° & 45° BAYS**  
45° Bay Shown  
with Brickmould



**4, 5 & 6 WIDE BOWS**  
4 Wide Bow Shown  
without trim