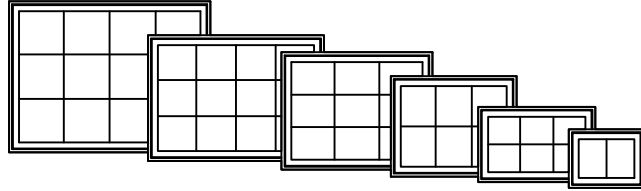
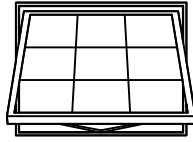

Table of Contents

General Information	3-2
Elevation Notes	3-3
Lite Cut Information	3-4
Vent Projections	3-5
Unit Sizing	3-6
Jamb Extender Options	3-7
Trim Options	3-9
Mullion Options	3-10
Section Details: 6" Scale	3-11
Min-Max Sizing	3-15

GENERAL INFORMATION



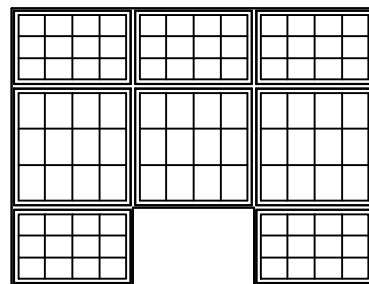
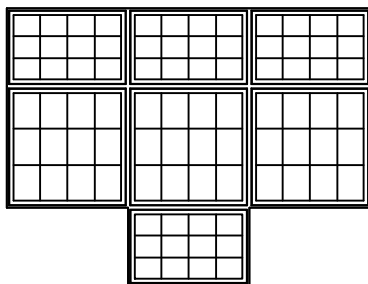
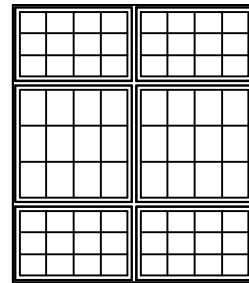
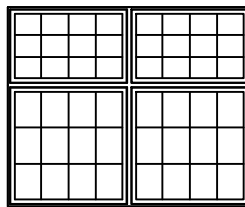
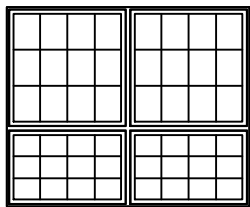
DIMENSIONAL WINDOWS

Custom Clad Epic Plus Casement windows may be specified as "dimensional" by adjusting the desired rough opening width or height in 1/16" increments from standard.

Custom Clad Epic Plus Casement windows available as operating, or stationary (non - venting). Operating mechanism includes corrosion resistant steel hinges and roto-type operators for venting units. Sash locks are concealed unison type with an exposed locking lever and escutcheon plate. There are several interior hardware finish options. Refer to the Specifications for finish options.

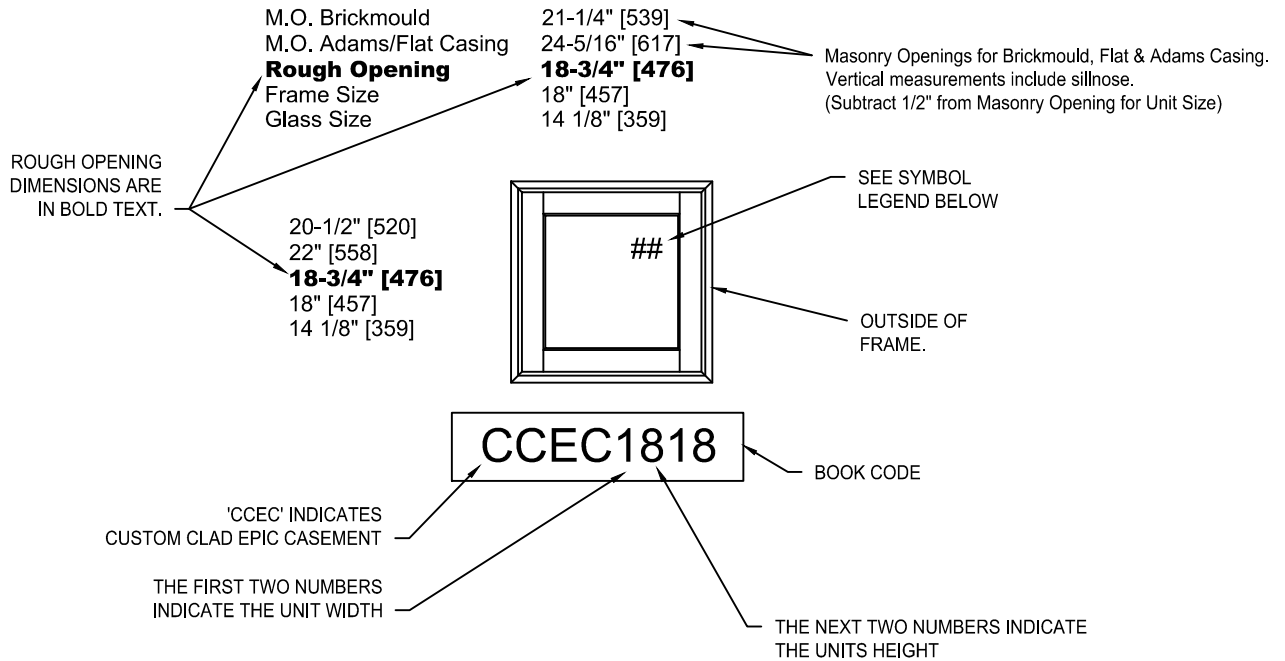
MULTIPLE ASSEMBLIES

Custom Clad Epic Plus Casement windows may be mullied above, below, or beside other clad awning windows, or other clad window products. Factory assembled mulls are limited in height (100"), width (150").



ELEVATION NOTES

ELEVATION DRAWINGS UTILIZE A LIMITED NUMBER OF PROJECTED LINES TO PRODUCE A RUDIMENTARY DRAWING INTENDED TO BE USED IN A SMALL GRAPHICAL SCALE. ELEVATIONS ARE VIEWED PERPENDICULAR FROM THE EXTERIOR OF THE STRUCTURE. IF MORE DIMENSIONS ARE NEEDED, USE THE SECTION DRAWINGS FOR MORE COMPLETE DEPICTIONS.



GENERAL CASEMENT NOTES

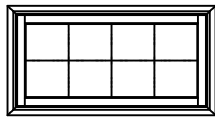
1. CUSTOM CLAD EPIC PLUS CASEMENT (CCEC) UNITS ARE AVAILABLE AS OPERATING OR FIXED UNITS.
2. UNIT ELEVATIONS ARE SHOWN WITHOUT EXTERIOR TRIM.
3. DIMENSIONAL VALUES IN BRACKETS ARE MILLIMETER CONVERSIONS.

ELEVATION SYMBOL LEGEND:

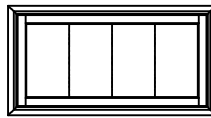
- (F) THESE UNITS ARE ONLY AVAILABLE AS FIXED (STATIONARY) UNITS.
- ## NUMBER INDICATES DESIGN PRESSURE (DP) RATING WITH STANDARD GLAZING. OPERATING UNITS UTILIZE A CONCEALED LOCKING SYSTEM FOR DP RATINGS.

LITE CUT INFORMATION

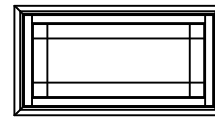
Custom Clad Epic Plus Casement windows are available with removable grilles in 7/8", 1-1/8" and 1-3/8" widths, Airspace (between the panes) grilles, and Simulated Divided Lites. Standard lite cuts are rectangular, and conform to the layouts noted in the charts on the next page. To use the chart, refer to the appropriate table by the type of window and type of bars or grilles the section drawings illustrate. Then simply cross reference the frame Height and Width to determine the standard lite cut.



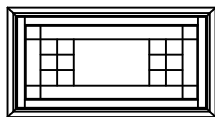
RECTANGULAR



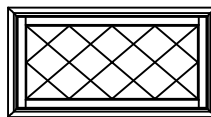
VERTICAL



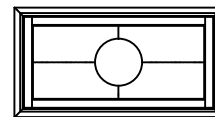
PRAIRIE



UNEVEN



DIAMOND



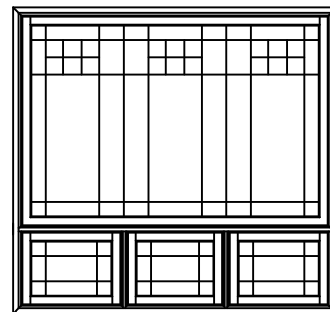
RADIUS

LITE CUT OPTIONS

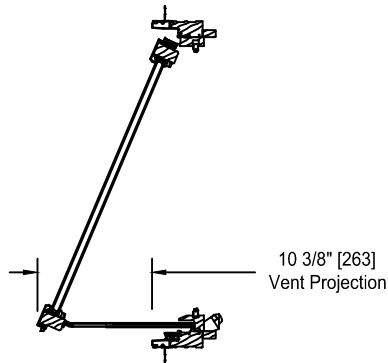
Special lite cut patterns can include a wide variety of straight line and radius patterns. The illustrations shown here represent just a few of the possibilities. Rectangular, horizontal, vertical and Prairie lite patterns are available in all standard size clad casement windows. Uneven, diamond, radius and Gothic lite cuts are available, subject to approval. Approvals are based on the ability to fulfill the design requirement while maintaining the construction integrity of the finished product.

BAR ALIGNMENT

Alignment of divided lite muntin bars from one window to the next is often required by fine architectural design. Wood grilles, Airspace grilles, and Simulated Divided Lites may be specified with muntin bars aligned.

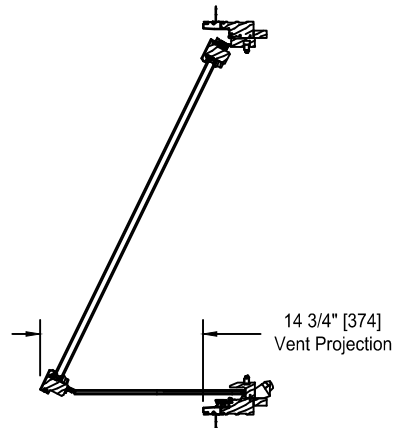


NARROW OPERATOR
Frame Width under 21"



Roto type hardware

STANDARD OPERATOR
Frame Width 21" and over

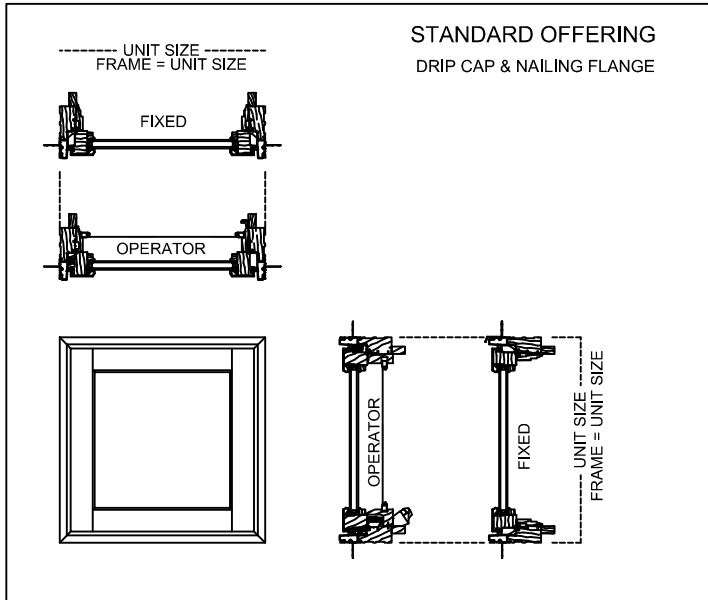


Roto type hardware

CASEMENT VENT PROJECTION

The drawings above reflect full operation. Dimensions and angles above are approximate and will vary due to frame height.

UNIT SIZING



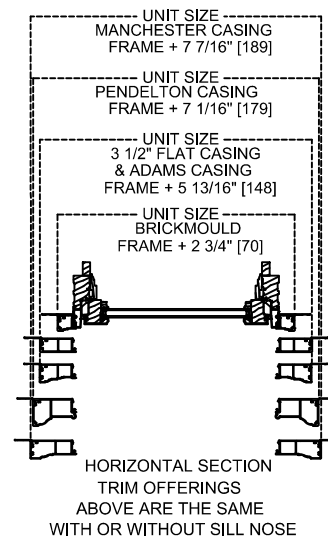
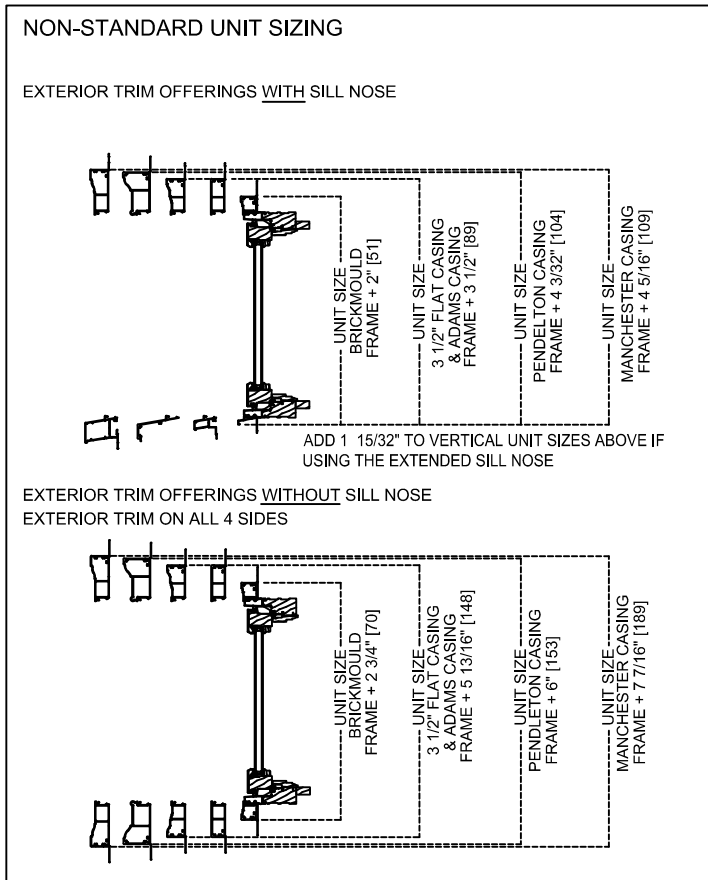
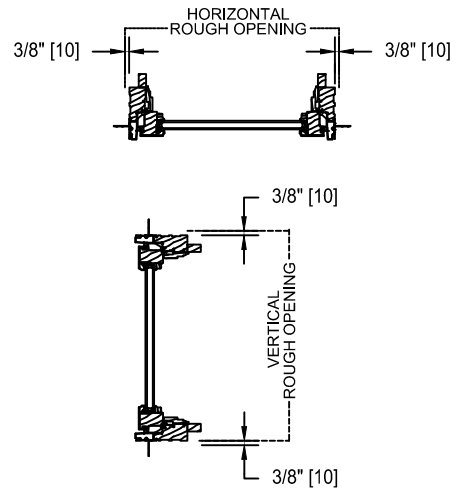
GENERAL NOTES:

UNITS WITH NO TRIM AND SILL NOSE:
UNIT SIZE = FRAME SIZE

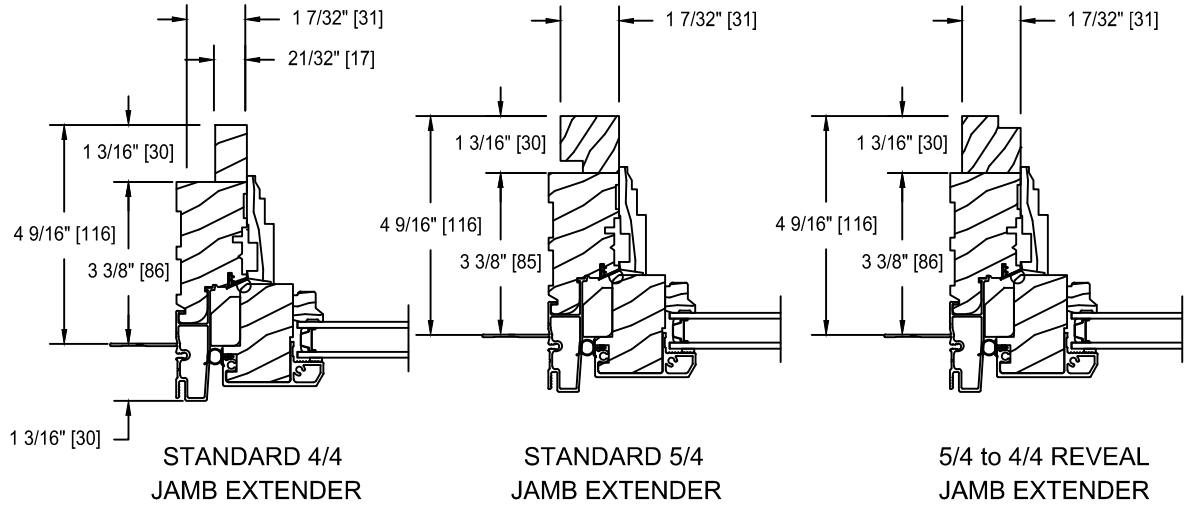
UNIT SIZE IS ALWAYS THE
EXTREME SIZE OF THE WINDOW
WITH OR WITHOUT TRIM
(DRIP CAP & NAILING FLANGE ARE
NOT ADDED TO ANY UNIT SIZING)

MASONRY OPENING:
MASONRY OPENING IS ALWAYS 1/2" OVER
THE UNIT SIZE OF THE WINDOW

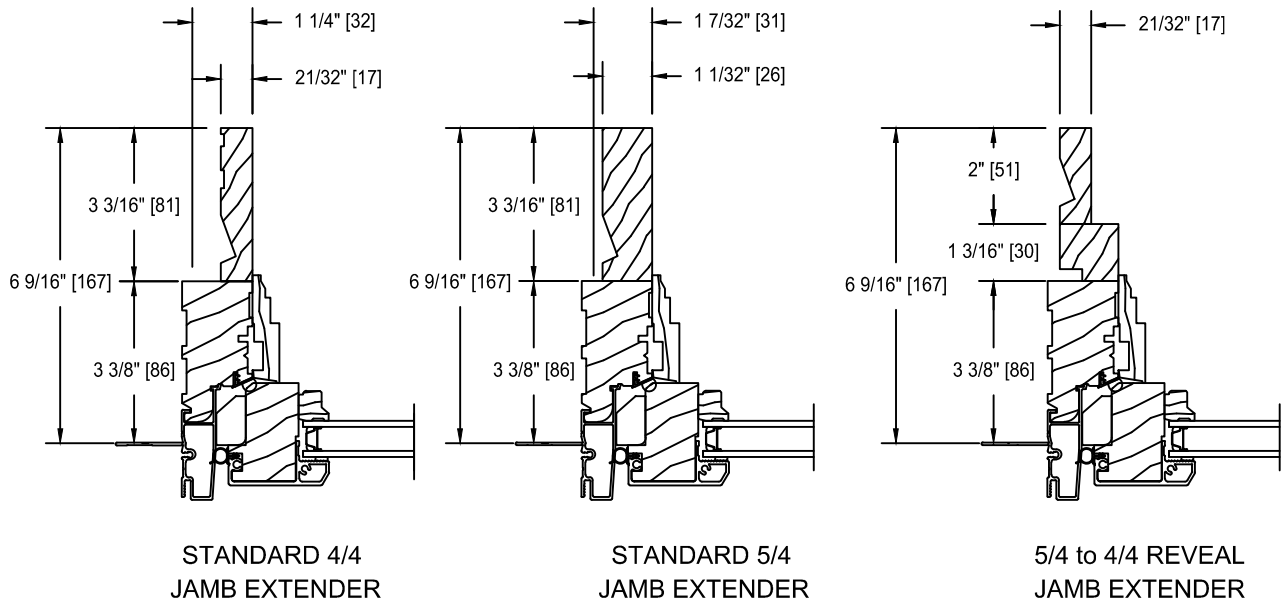
ROUGH OPENING:
ROUGH OPENING IS ALWAYS 3/4" OVER
FRAME SIZE OF THE WINDOW



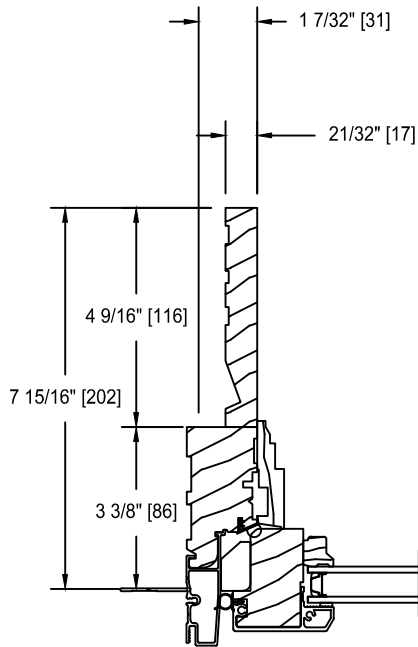
JAMB EXTENDER OPTIONS



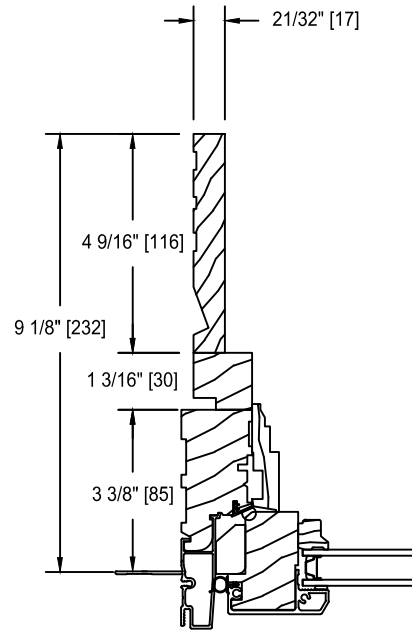
6 9/16" WALL



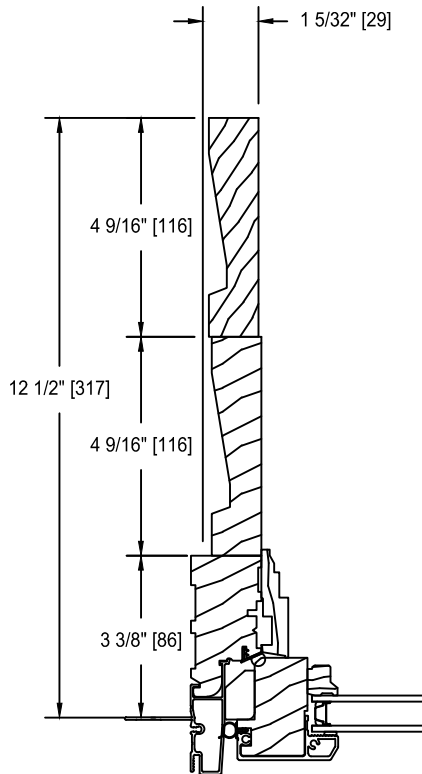
JAMB EXTENDER OPTIONS



STANDARD 4/4
JAMB EXTENDER



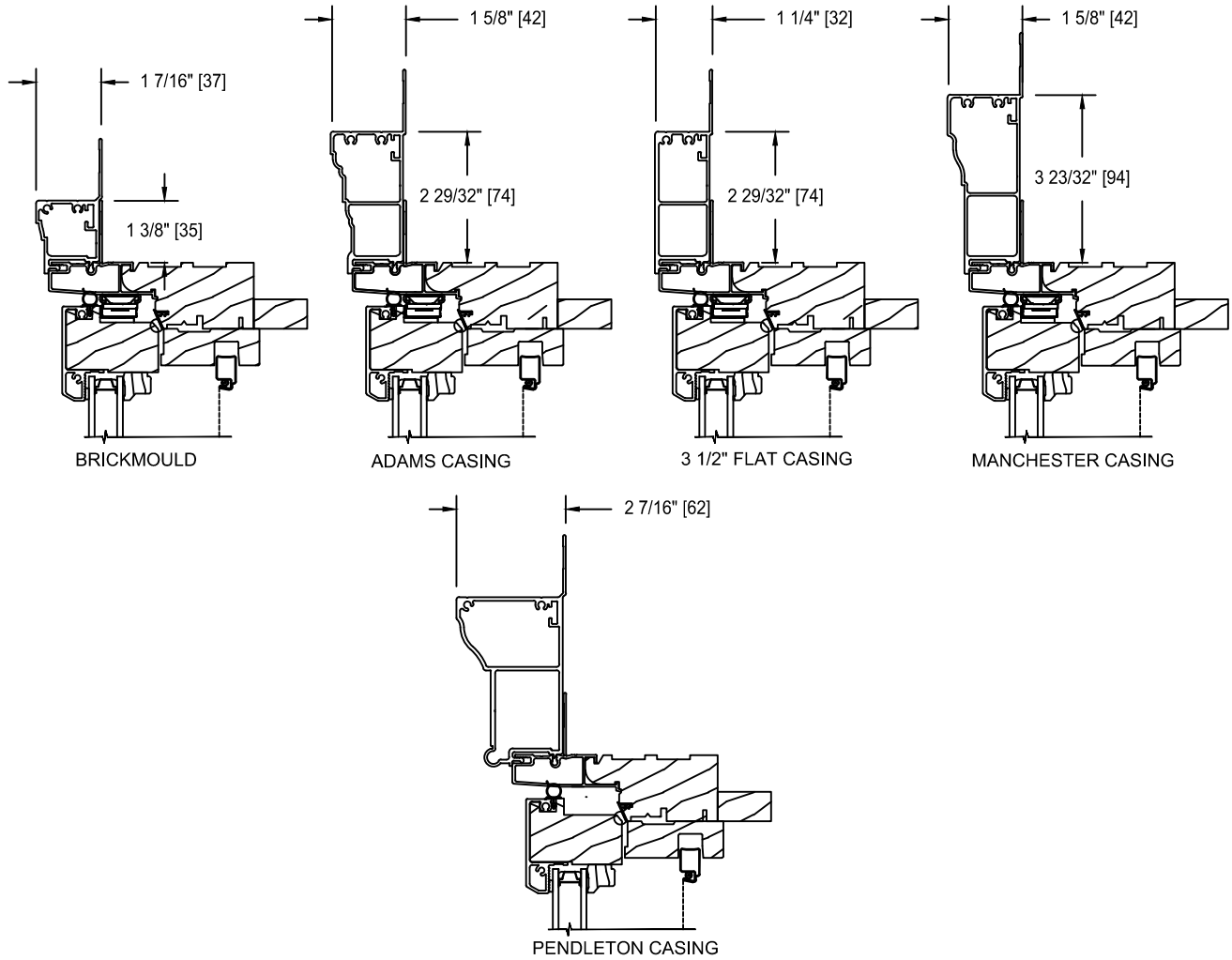
5/4 to 4/4 REVEAL
JAMB EXTENDER



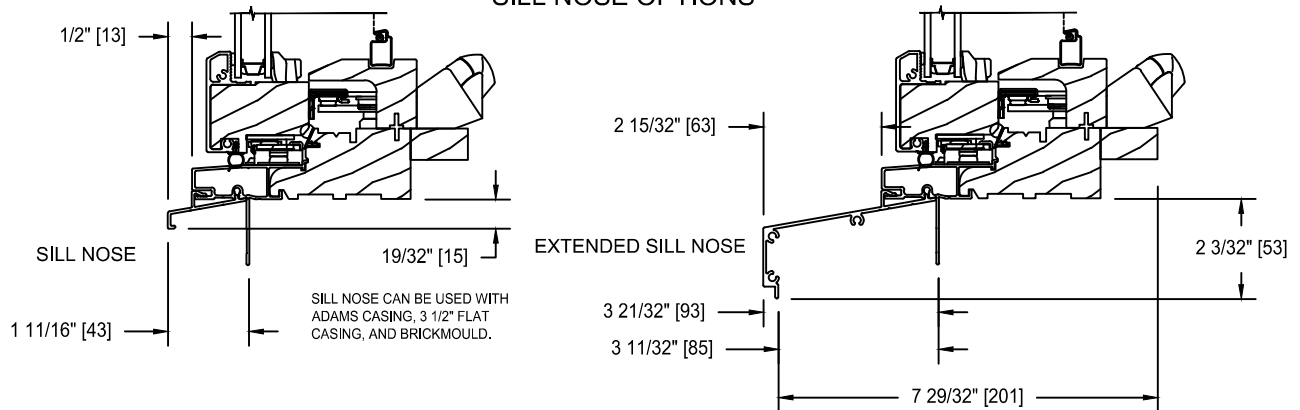
STANDARD 5/4
JAMB EXTENDER

TRIM OPTIONS

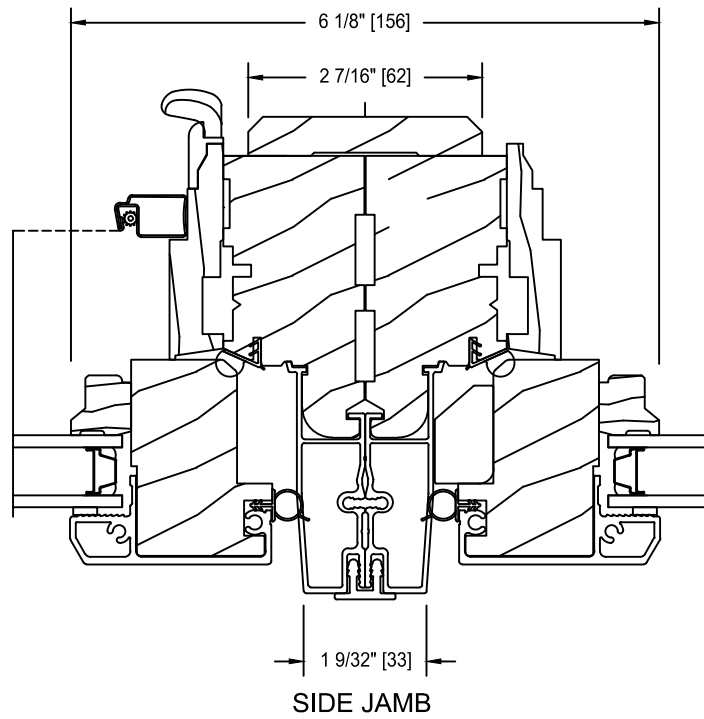
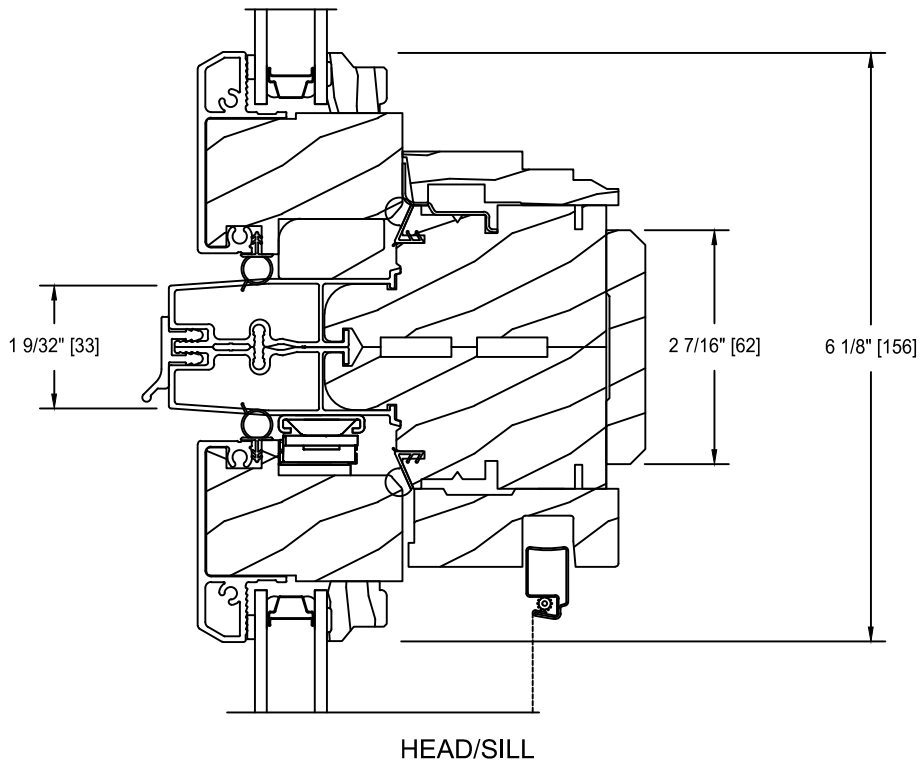
EXTERIOR TRIM



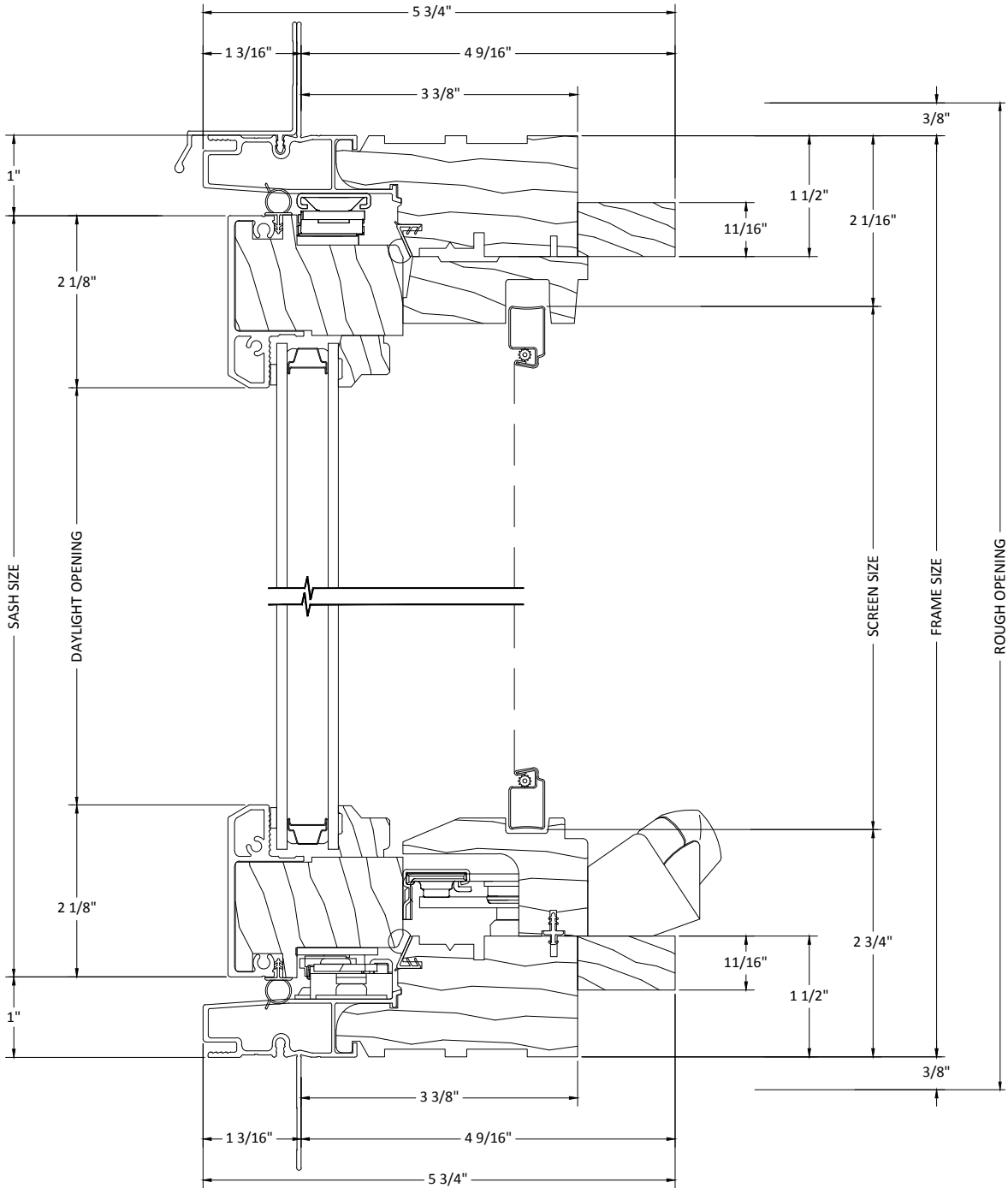
SILL NOSE OPTIONS



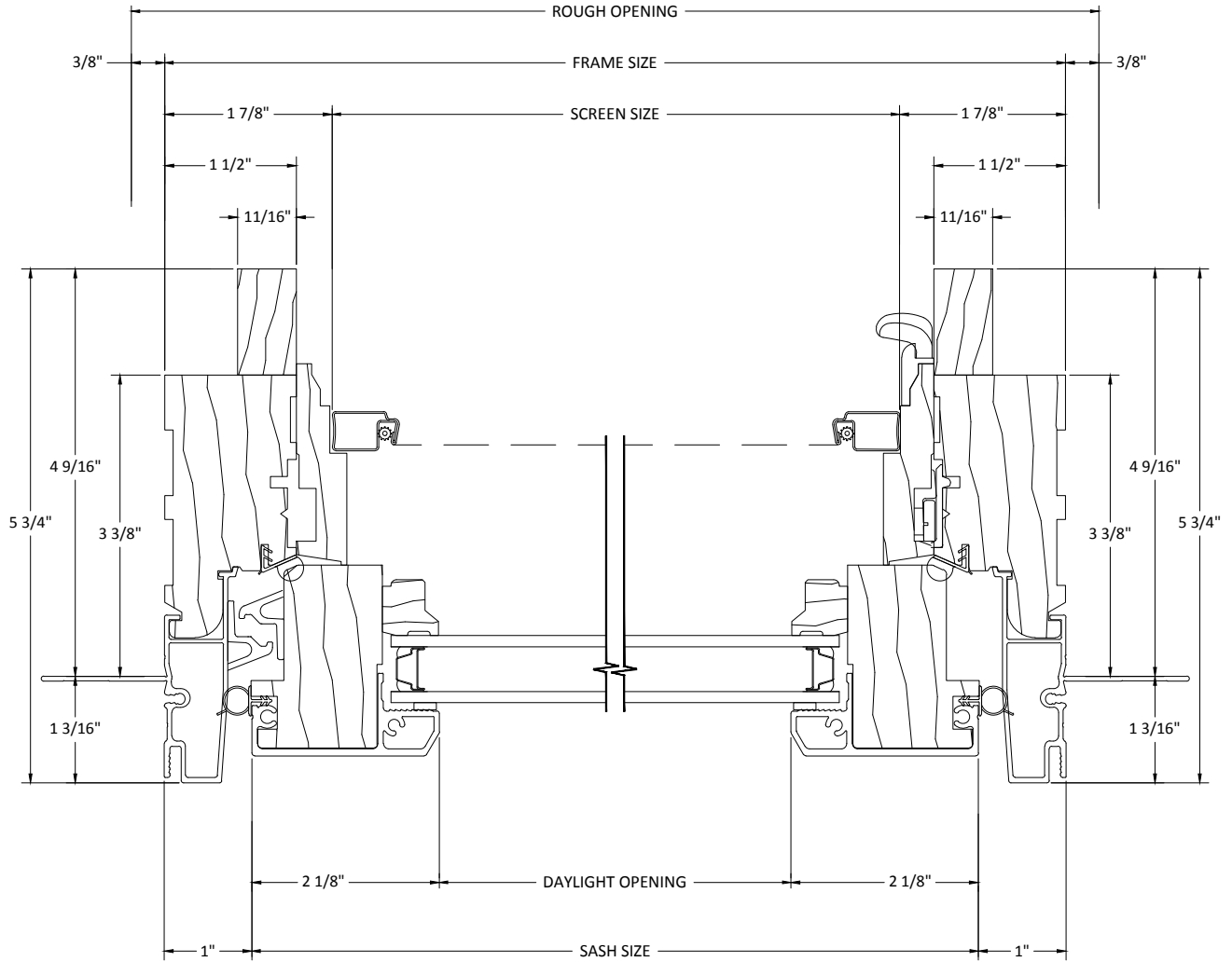
MULLION OPTIONS



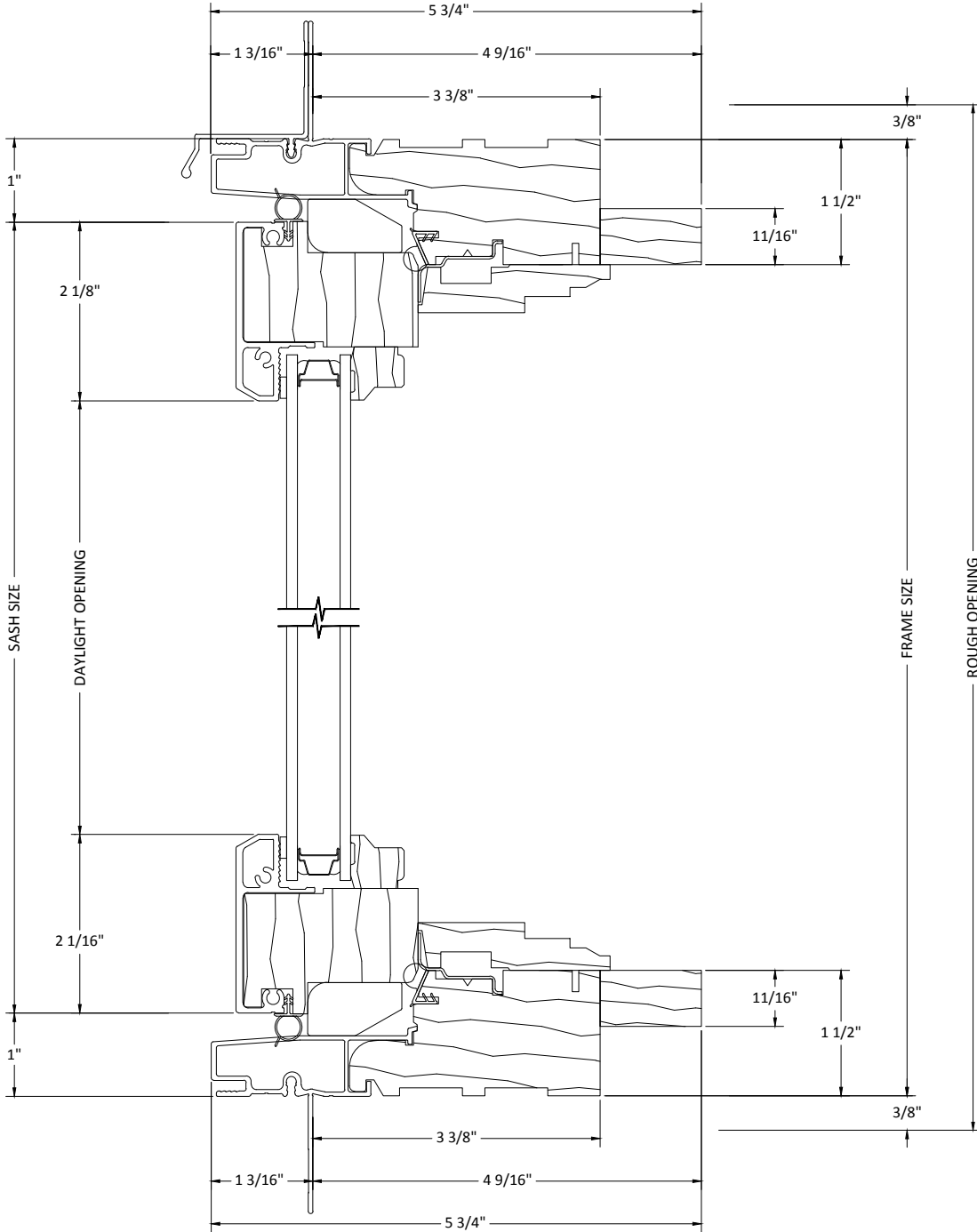
**OPERATING UNIT
VERTICAL SECTION**



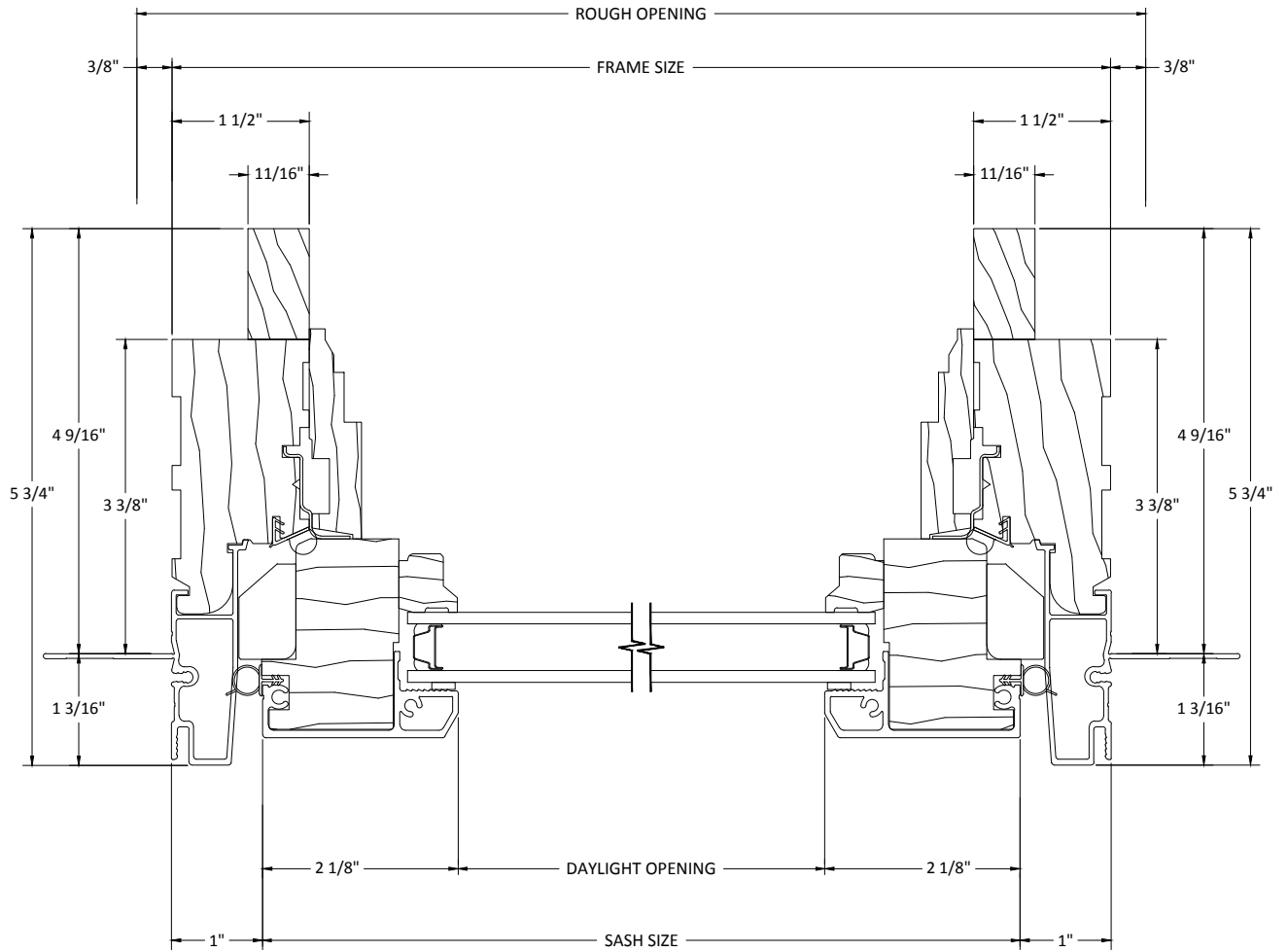
OPERATING UNIT
HORIZONTAL SECTION

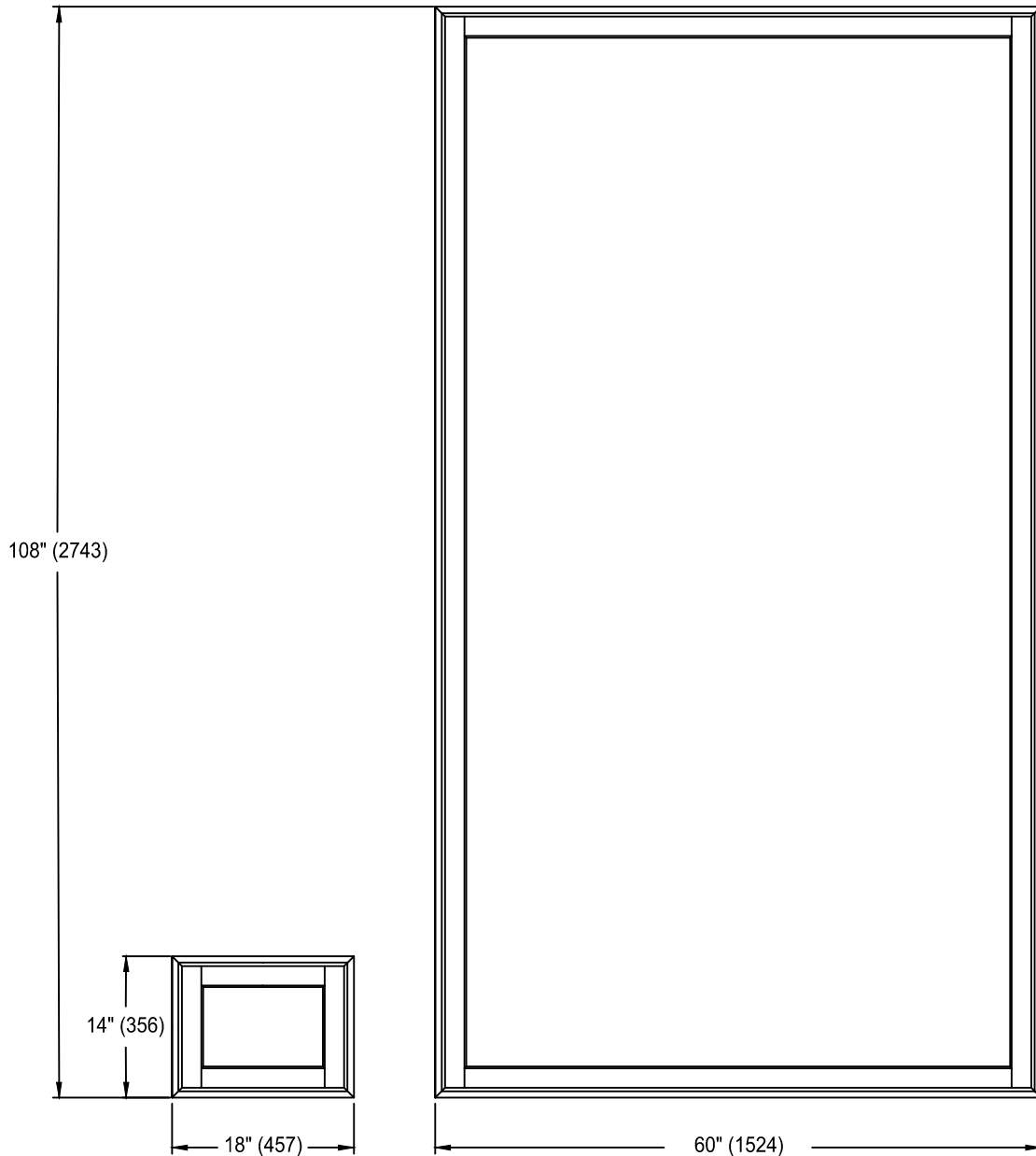


**VERTICAL SECTION
STATIONARY UNIT**



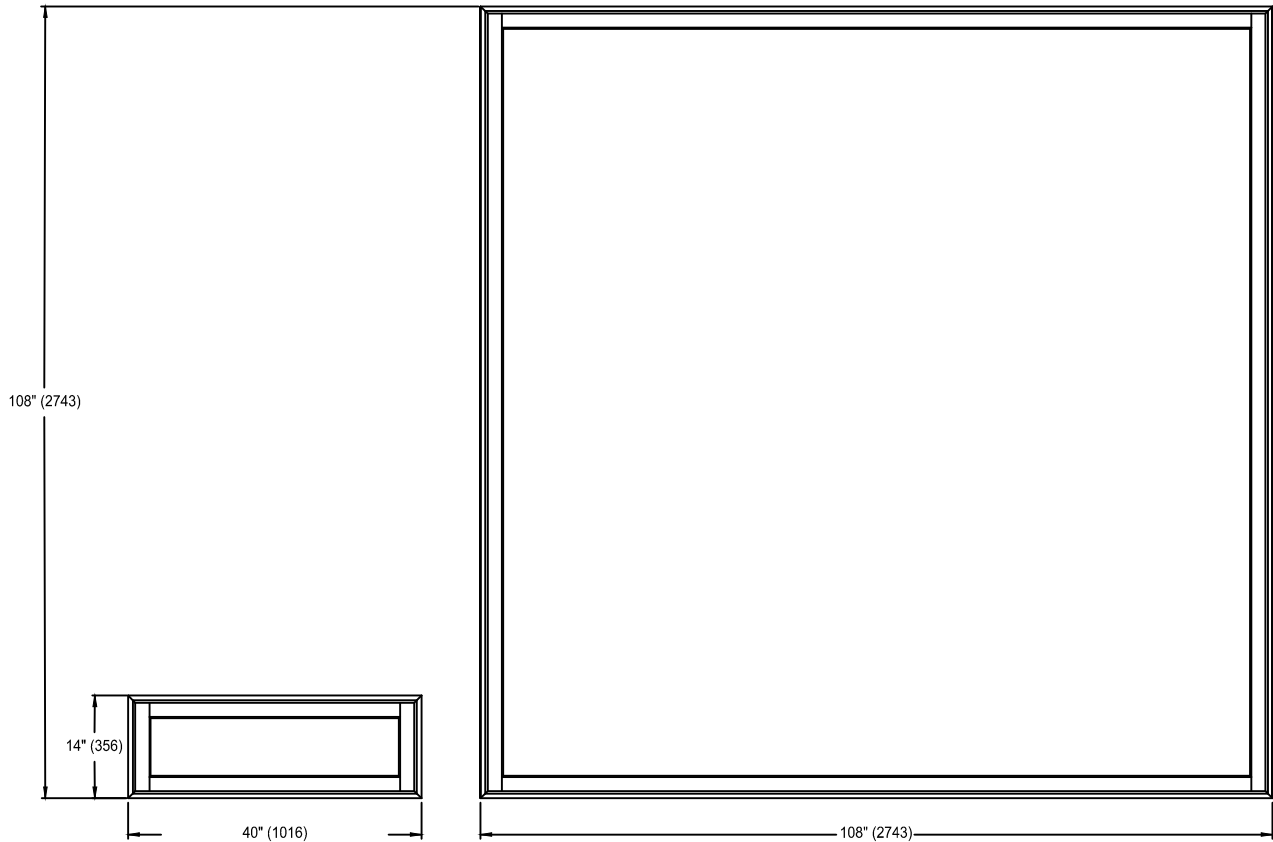
VERTICAL SECTION
STATIONARY UNIT





Standard widths for the Custom Epic Plus Casement Clad Windows:
 18"(457mm), 20"(508mm), 24"(610mm), 28"(711mm), 30"(762mm),
 32"(813mm), 36"(914mm), 40" (1016mm), 42"(1067mm), 44"(1118mm),
 48"(1219mm), 54"(1372mm), 56"(1422mm), 60"(1524mm)

Standard heights for the Custom Epic Plus Casement Clad Windows:
 14"(356mm), 18"(457mm), 20"(508mm), 24"(610mm),
 28"(711mm), 30"(762mm), 32"(813mm), 36"(914mm),
 40"(1016mm), 42"(1067mm), 48"(1219mm), 54"(1372mm), 56"(1422mm),
 60"(1524mm), 64" (1626mm), 66"(1676mm), 72"(1829mm), 78"(1981mm),
 84"(2134mm), 90"(2286mm), 96"(2439mm), 102"(2591mm), 108"(2743mm)



Standard widths for the Custom Epic Plus Casement Clad Windows Picture Unit:
 40" (1016mm), 42" (1067mm), 48" (1219mm), 54" (1372mm), 56" (1422mm), 60" (1524mm),
 66" (1676mm), 72" (1829mm), 78" (1981mm), 84" (2134mm), 90" (2286mm), 96" (2439mm),
 102" (2591mm), 108" (2743mm)

Standard heights for the Custom Epic Plus Casement Clad Windows Picture Unit:
 14" (356mm), 18" (457mm), 20" (508mm), 24" (610mm),
 28" (711mm), 30" (762mm), 32" (813mm), 36" (914mm),
 40" (1016mm), 42" (1067mm), 48" (1219mm), 54" (1372mm), 56" (1422mm),
 60" (1524mm), 64" (1626mm), 66" (1676mm), 72" (1829mm), 78" (1981mm),
 84" (2134mm), 90" (2286mm), 96" (2439mm), 102" (2591mm), 108" (2743mm)