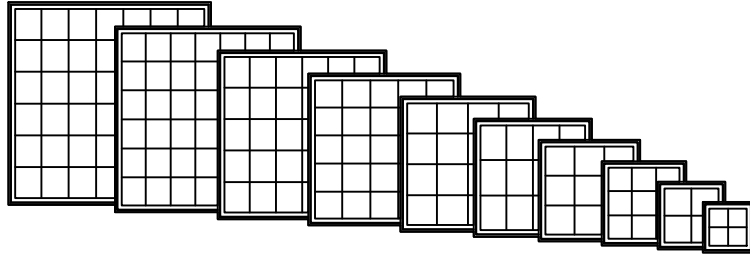

TABLE OF CONTENTS

General Information	1-2
Lite Cut Information	1-3
Handing & Operation	1-4
Unit Sizing, Rough Opening & Masonry Openings	1-5
Trim Options	1-6
Jamb Options	1-8
Mullion Options	1-10
Casement Elevation Notes	1-14
General Sector Top Information	1-15
Sector Top Casement Handing & Operation	1-16
Sector Top Casement Elevation Notes	1-17
Sector Top Casement Trim Options	1-18
Sector Top Casement Clear Opening Information	1-19
General French Casement Information	1-20
French Casement Handling & Operation	1-21
French Casement Elevation Notes	1-22
Section Details: 6" Scale	1-23
Bays & Bows Opening Specifications	1-41

GENERAL INFORMATION
CASEMENT



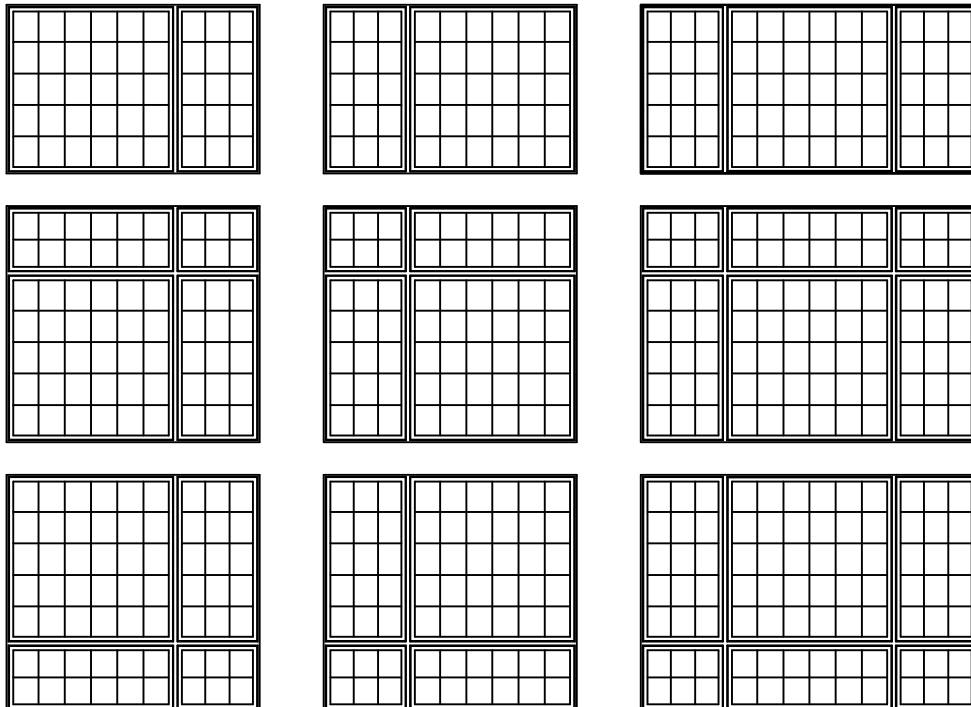
DIMENSIONAL WINDOWS

Custom clad casement windows may be specified as "dimensional", by adjusting the desired rough opening width or height in 1/16" increments from standard.

Custom clad casement windows are available with left or right hand operation, or stationary (non-venting). Operating mechanism includes corrosion resistant steel hinges and dual arm roto-type operator with hardened steel gears and operating arms. Sash locks are concealed unison type with an exposed locking lever and escutcheon plate. There are several interior hardware finish options. Refer to the Specifications for finish options.

MULTIPLE ASSEMBLIES

Custom clad casement windows may be mullered above, below, or beside other clad casement windows, or other clad window products.

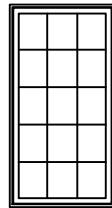


LITE CUT INFORMATION

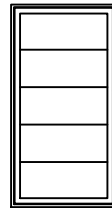
Custom clad casement windows are available with removable grilles in 7/8", 1-1/8" and 1-3/8" widths, Airspace (between the panes) grilles, and Simulated Divided Lites. Standard lite cuts are rectangular, and conform to the layouts noted in the charts on the next page. To use the chart, refer to the appropriate table by the type of window and type of bars or grilles the section drawings illustrate. Then simply cross reference the frame Height and Width to determine the standard lite cut.

LITE CUT OPTIONS

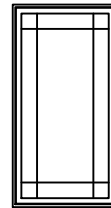
Special lite cut patterns can include a wide variety of straight line and radius patterns. The illustrations shown here represent just a few of the possibilities. Rectangular, horizontal, vertical and Prairie lite patterns are available in all standard size clad casement windows. Uneven, diamond, radius and Gothic lite cuts are available, subject to approval. Approvals are based on the ability to fulfill the design requirement while maintaining the construction integrity of the finished product.



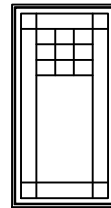
RECTANGULAR



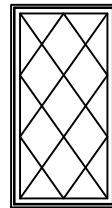
HORIZONTAL



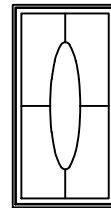
PRAIRIE



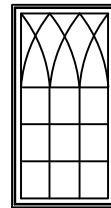
UNEVEN



DIAMOND



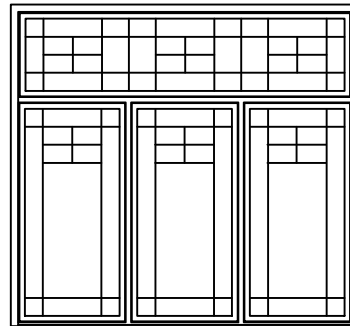
RADIUS



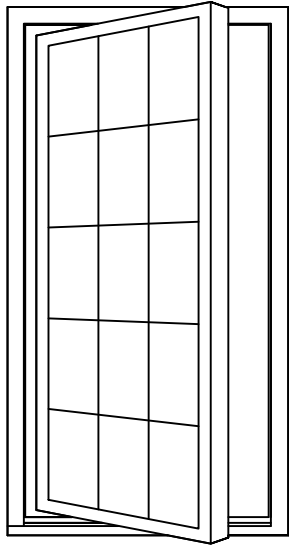
GOTHIC

BAR ALIGNMENT

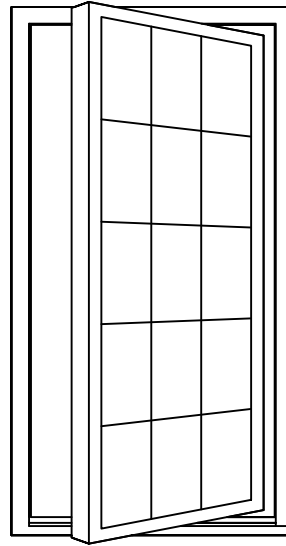
Alignment of divided lite muntin bars from one window to the next is often required by fine architectural design. Wood grilles, Grilles Between the Glass, grilles, and Simulated Divided Lites may be specified with muntin bars aligned.



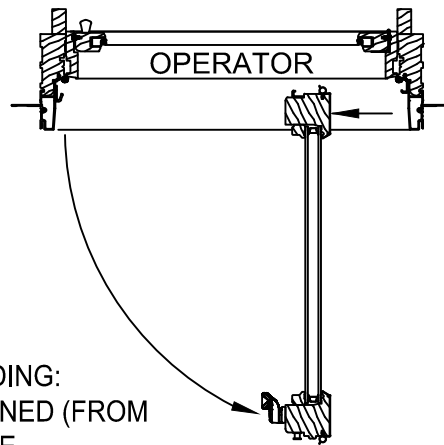
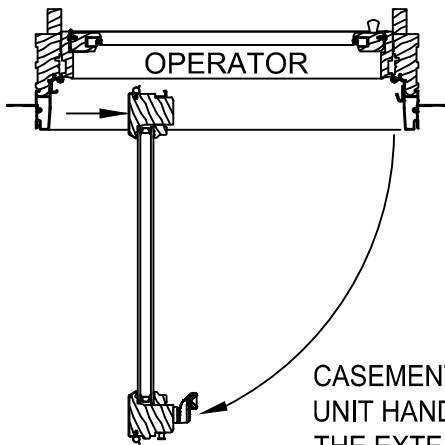
HANDLING & OPERATION
CASEMENT



**LEFT
HAND**

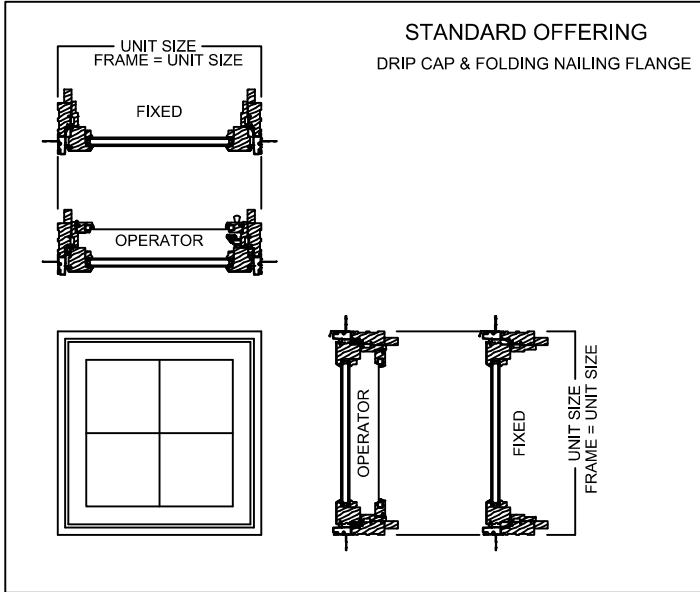


**RIGHT
HAND**



CASEMENT UNIT HANDING:
UNIT HANDING IS DEFINED (FROM
THE EXTERIOR) AS THE
DIRECTION THE SASH OPENS.

**UNIT SIZING, ROUGH OPENINGS &
MASONRY OPENINGS**



GENERAL NOTES:

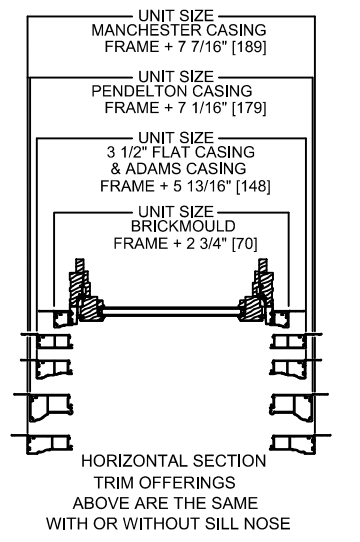
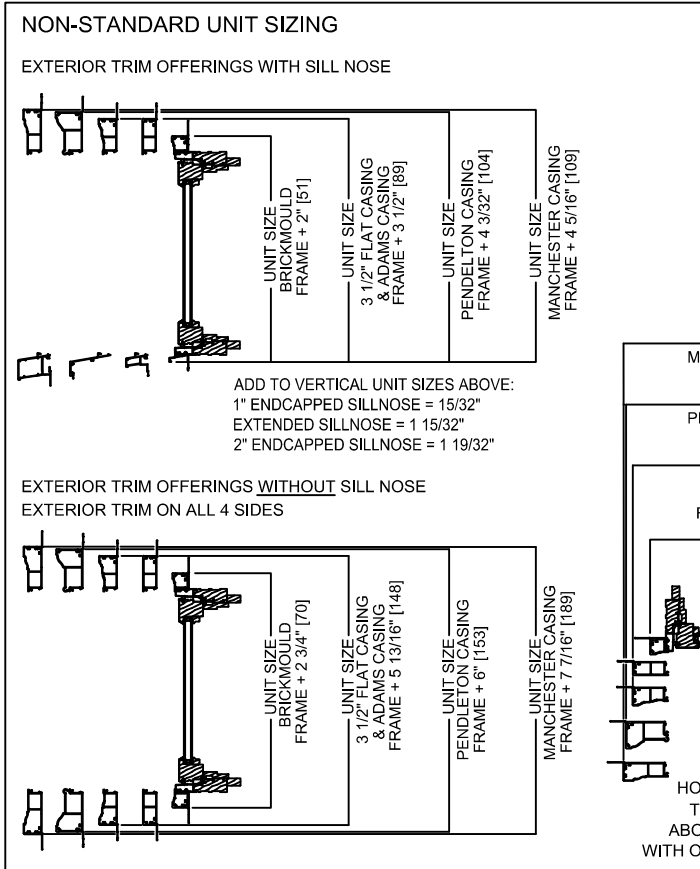
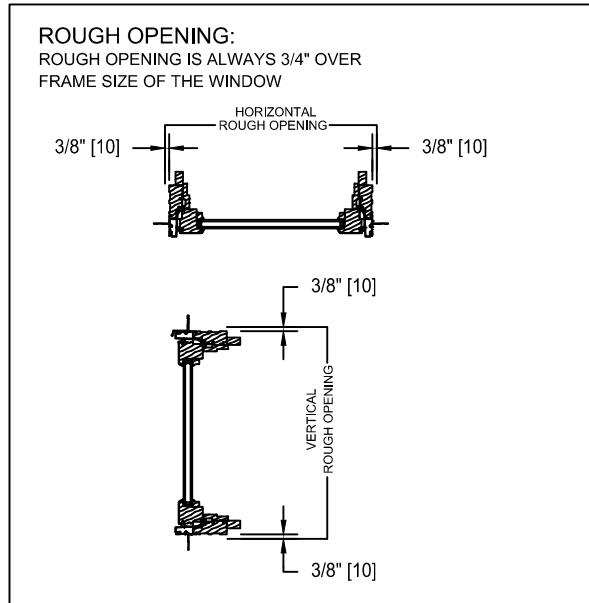
UNIT SIZE IS ALWAYS THE
EXTREME SIZE OF THE WINDOW
WITH OR WITHOUT TRIM AND
DOES NOT INCLUDE NAIL FIN

MASONRY OPENING:

MASONRY OPENING IS ALWAYS 1/2" OVER (HEIGHT AND WIDTH)
THE UNIT SIZE OR THE OUTSIDE EDGE OF THE TRIM
OF THE WINDOW

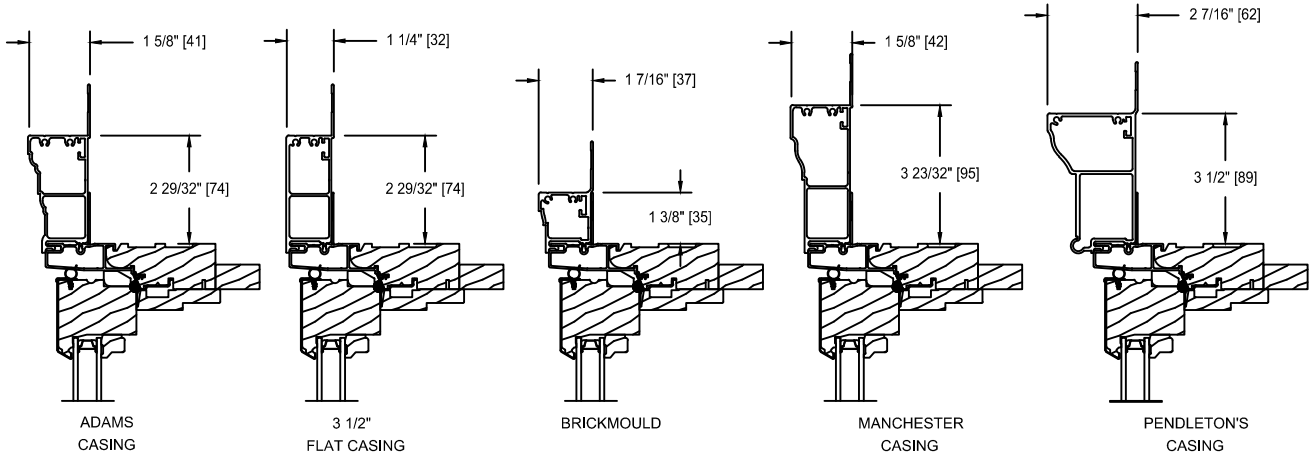
ROUGH OPENING:

ROUGH OPENING IS ALWAYS 3/4" OVER
FRAME SIZE OF THE WINDOW

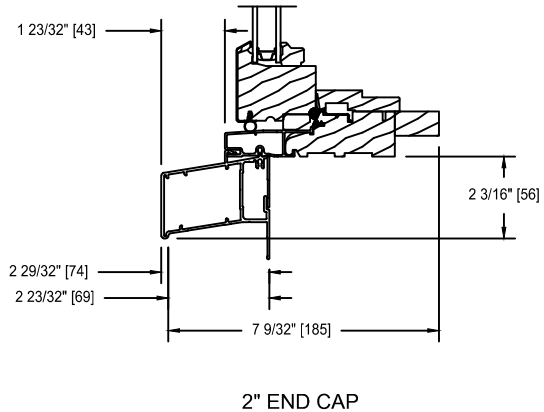
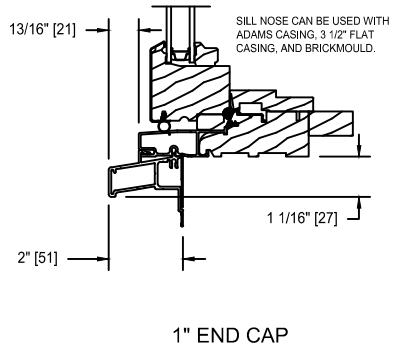
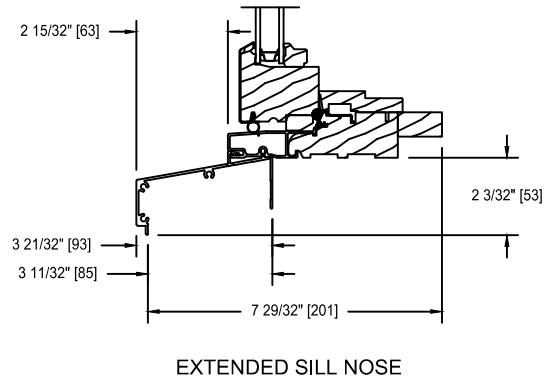
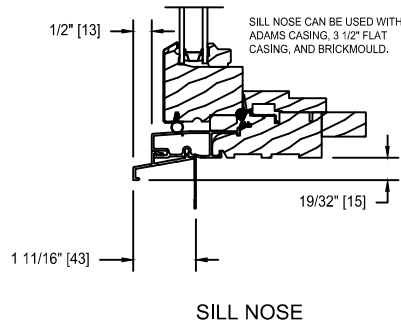


**TRIM OPTIONS
CASEMENT**

EXTERIOR TRIM



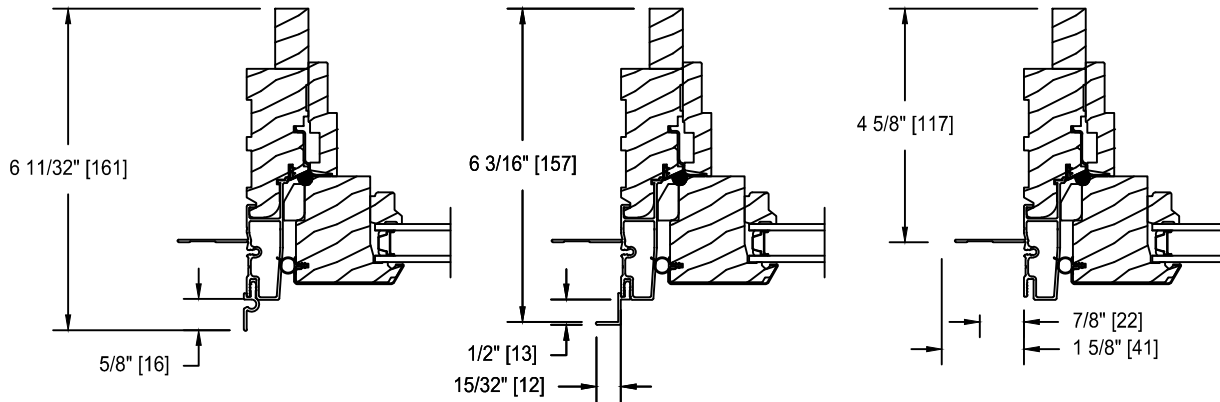
SILL NOSE OPTIONS



TRIM OPTIONS
CASEMENT

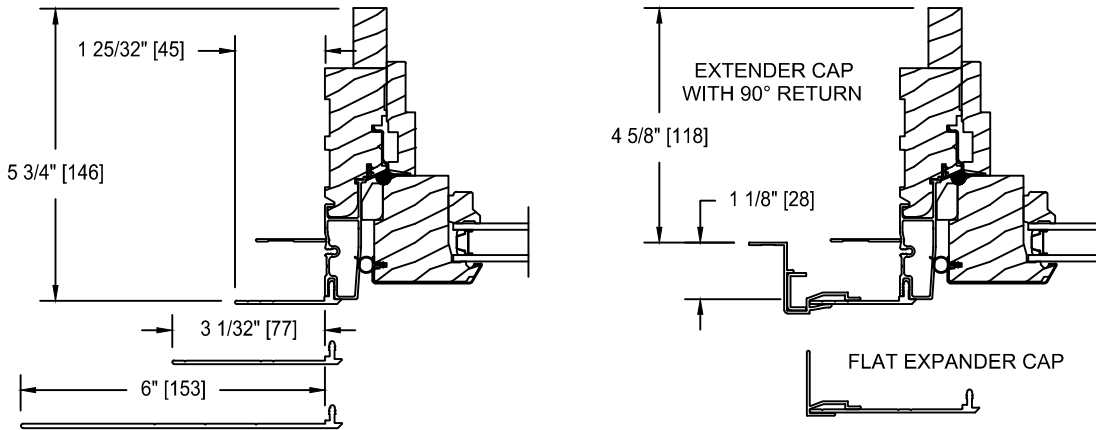
SPECIALTY EXTERIOR TRIM OPTIONS

FRAME EXTENSIONS & RETURNS

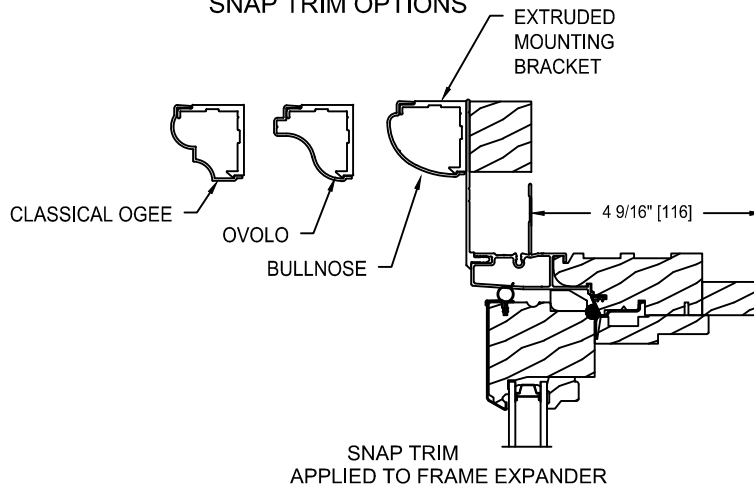


**FRAME EXPANDERS
STRAIGHTLINE ONLY**

**FRAME EXPANDER CAPS
STRAIGHTLINE ONLY**

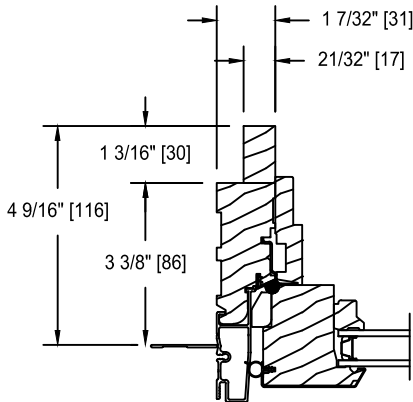


SNAP TRIM OPTIONS

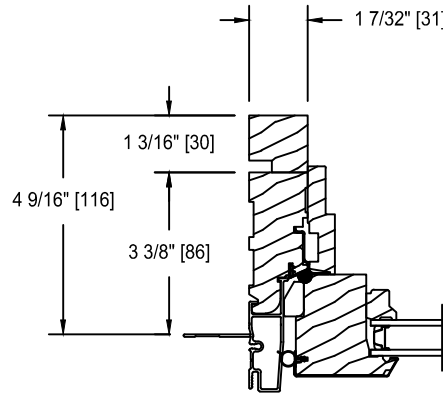


JAMB EXTENDER OPTIONS

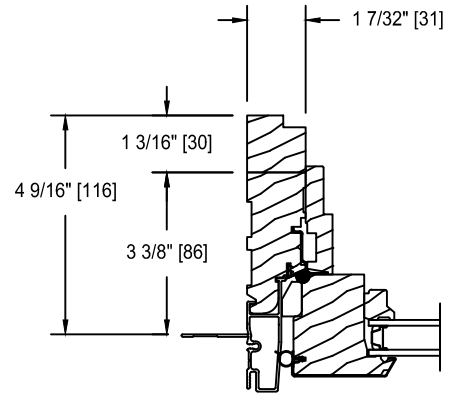
4 9/16" WALL



STANDARD 4/4
JAMB EXTENDER

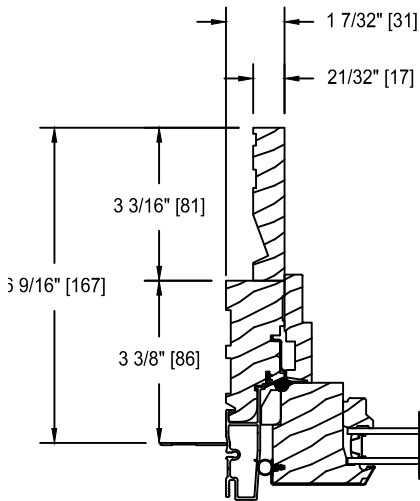


STANDARD 5/4
JAMB EXTENDER

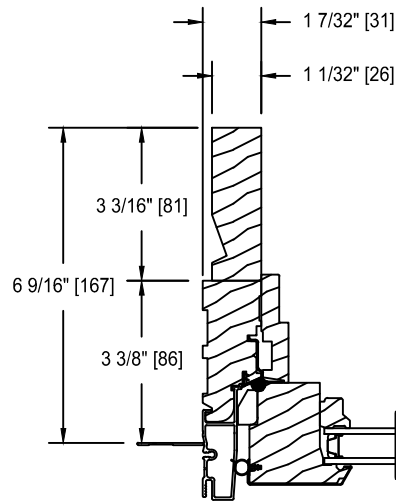


5/4 to 4/4 REVEAL
JAMB EXTENDER

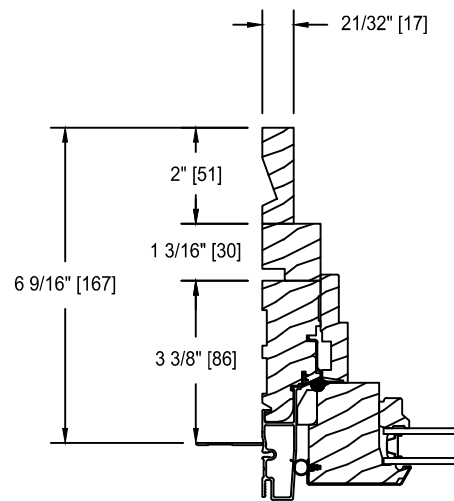
6 9/16" WALL



STANDARD 4/4
JAMB EXTENDER

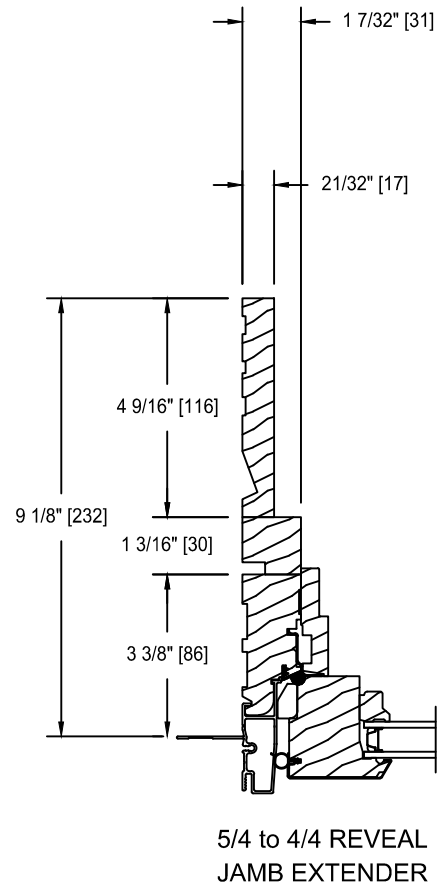
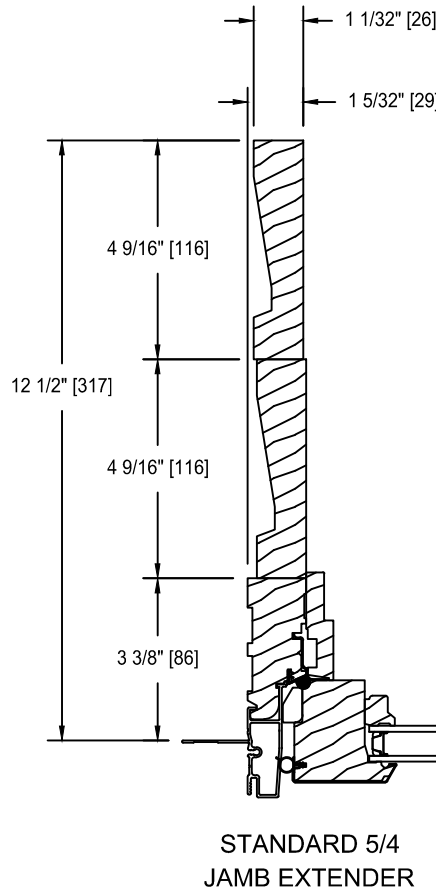
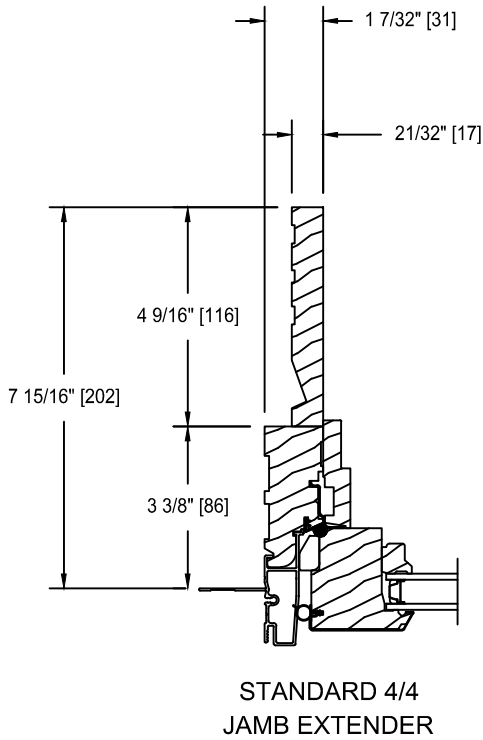


STANDARD 5/4
JAMB EXTENDER

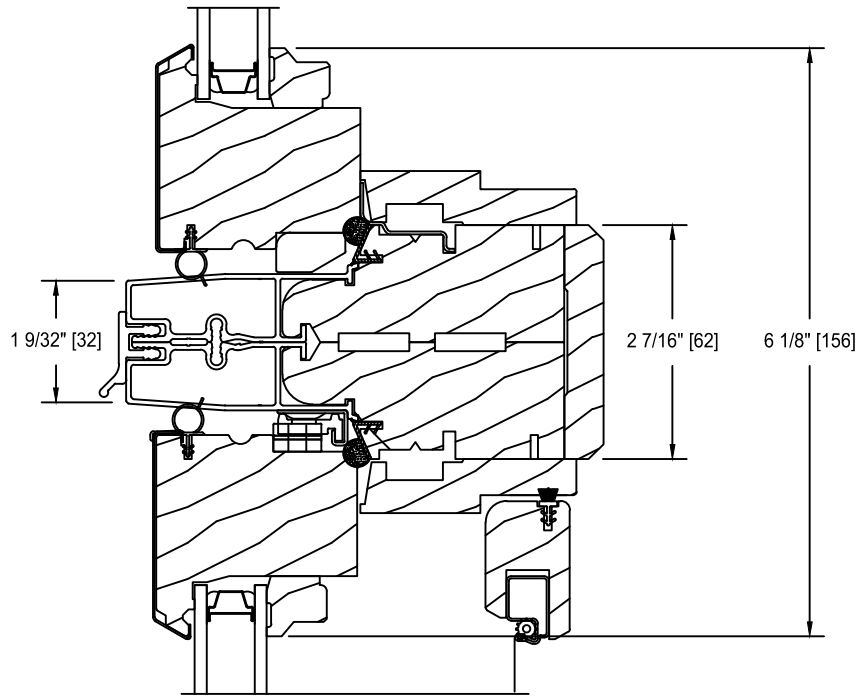


5/4 to 4/4 REVEAL
JAMB EXTENDER

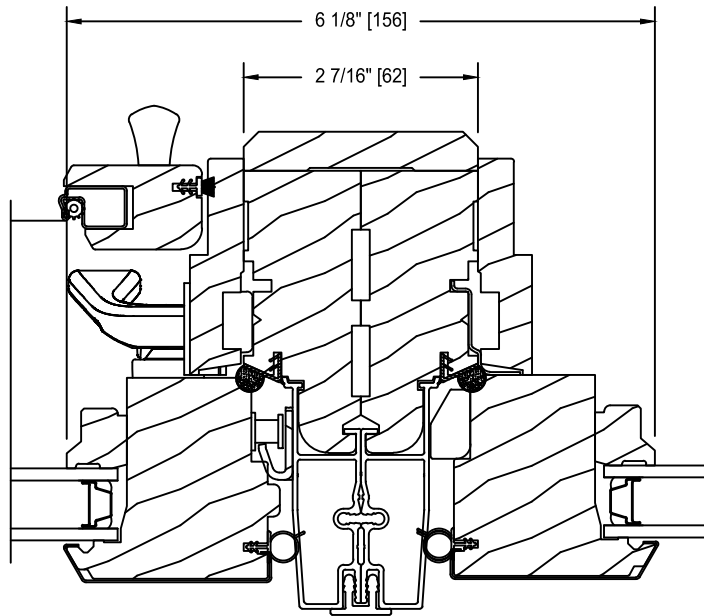
MAXIMUM JAMB WIDTHS



MULLION OPTIONS
STANDARD



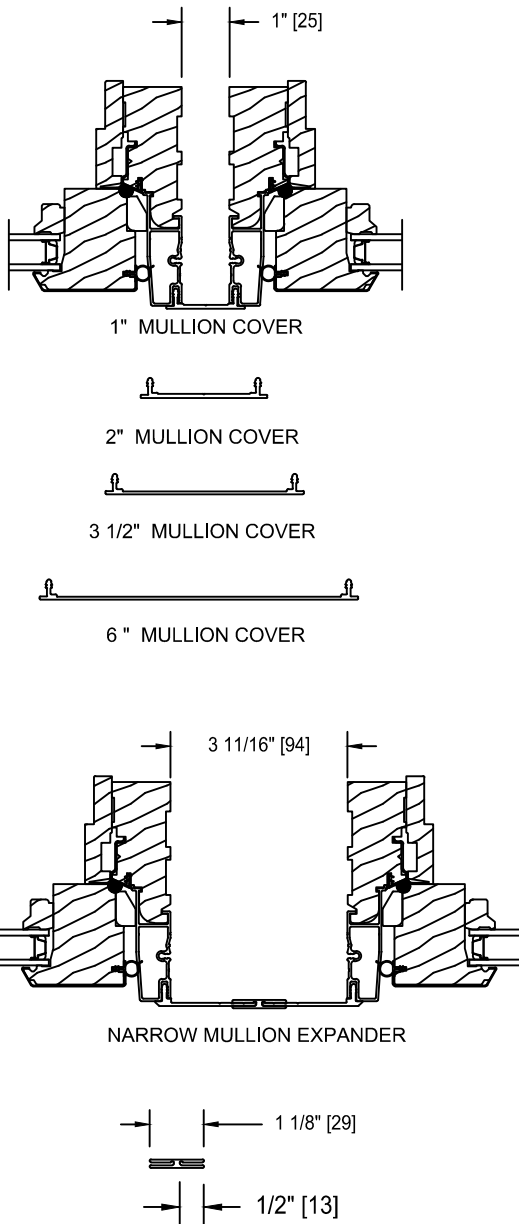
HEAD/SILL



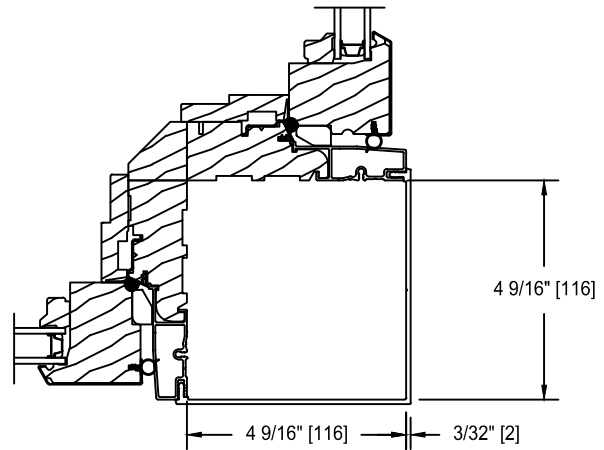
SIDE JAMB

**MULLION OPTIONS
SPREAD/ STUD POCKET**

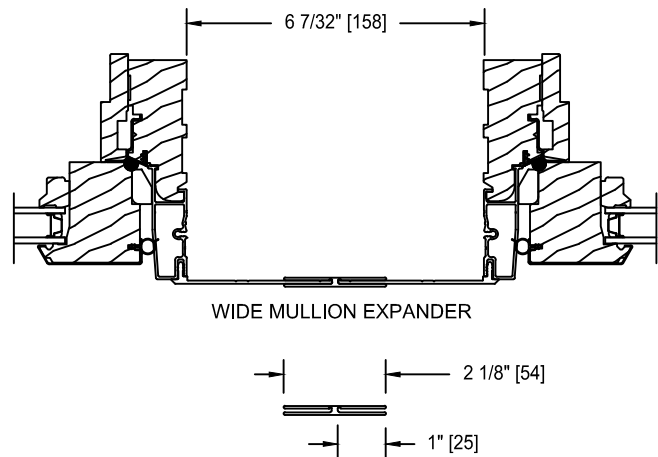
**EXTERIOR SPREAD MULLIONS &
STUD POCKET COVERS**



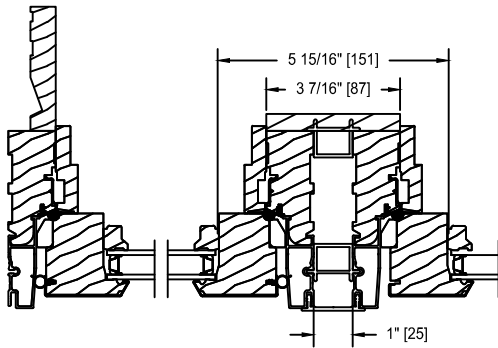
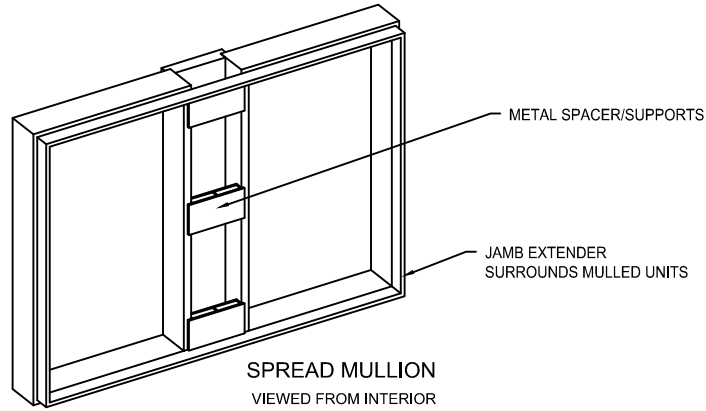
90° CORNER MULLION



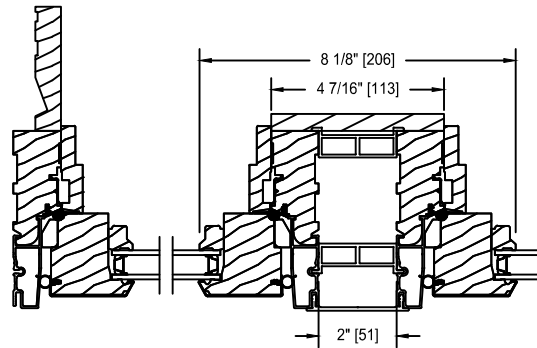
MULLION EXPANDERS



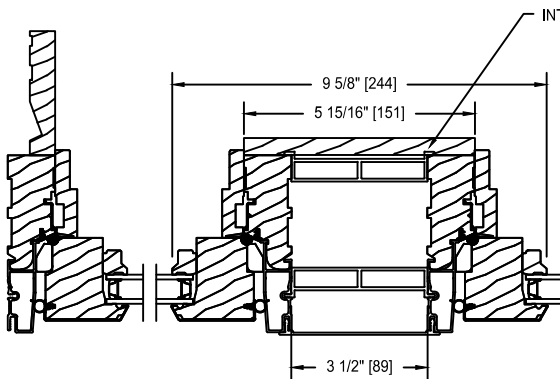
SPECIALTY MULLION OPTIONS
SPREAD MULLION DETAILS
CLAD CASEMENT



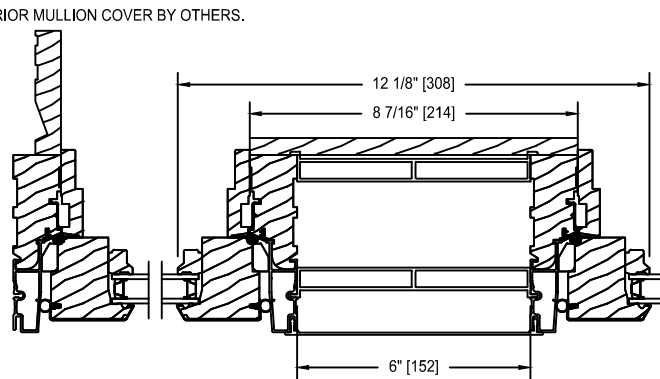
1" SPREAD MULLION



2" SPREAD MULLION

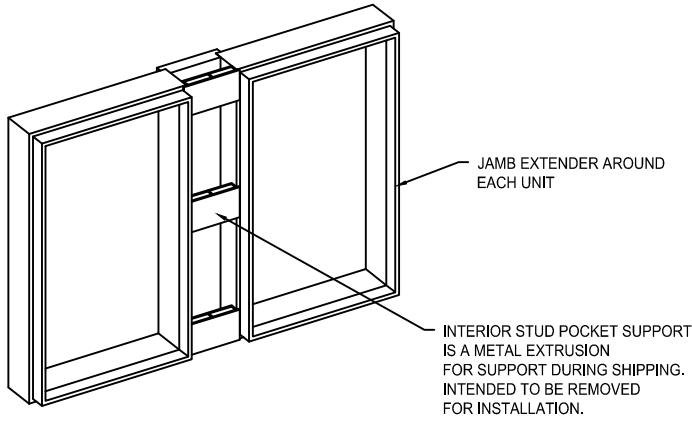


3 1/2" SPREAD MULLION

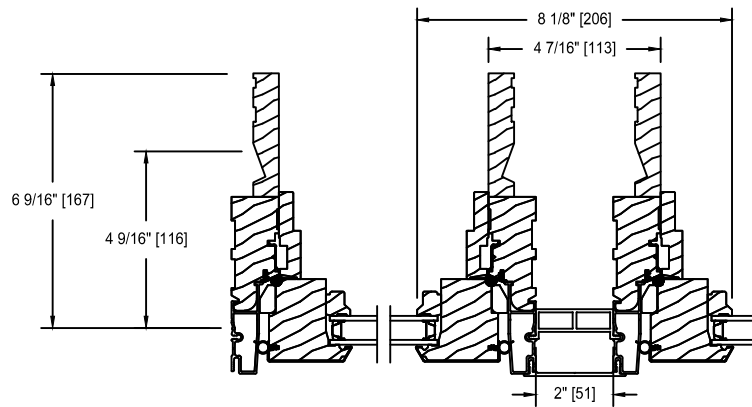


6" SPREAD MULLION

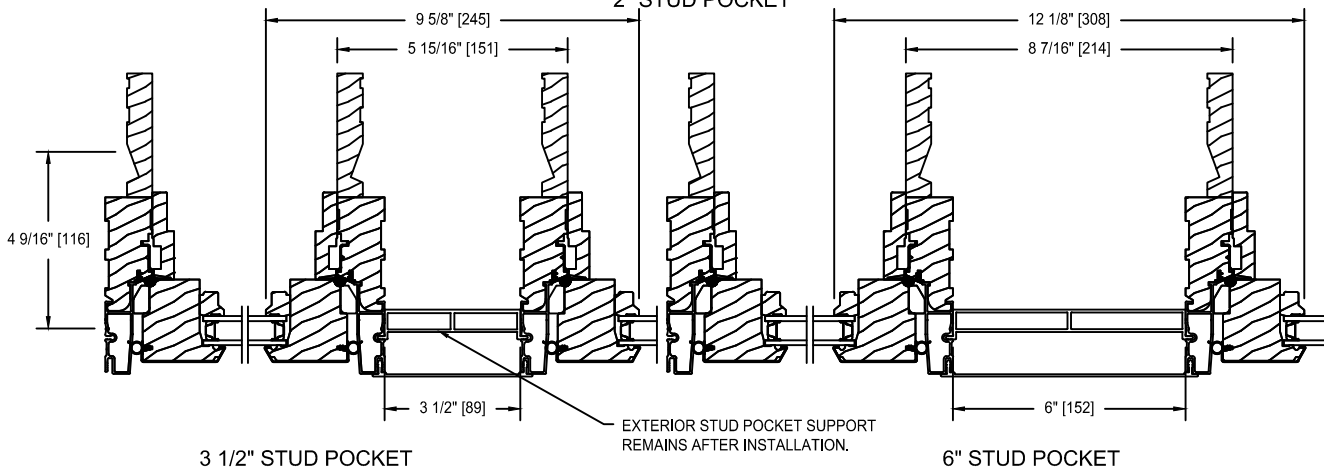
**SPECIALTY MULLION OPTIONS
STUD POCKET DETAILS
CLAD CASEMENT**



**STUD POCKET MULLION
VIEWED FROM INTERIOR**

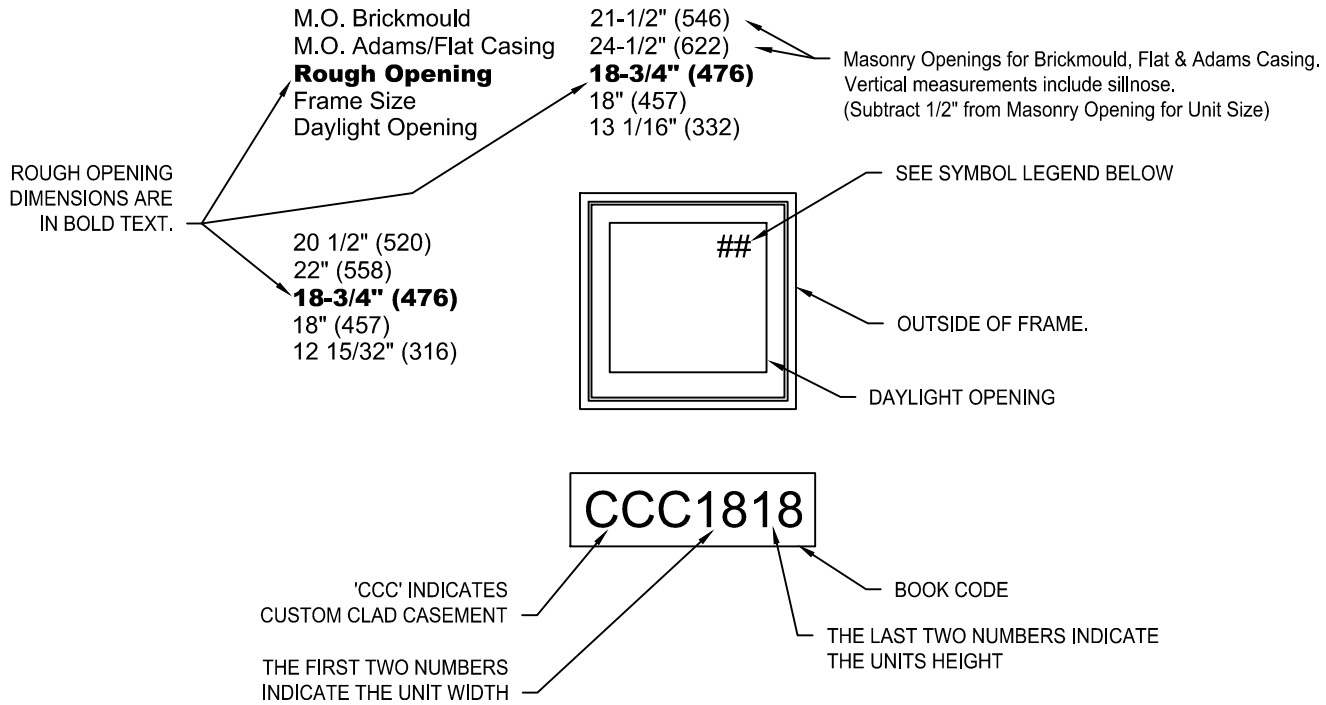


2" STUD POCKET



ELEVATION NOTES
CASEMENT

ELEVATION DRAWINGS UTILIZE A LIMITED NUMBER OF PROJECTED LINES TO PRODUCE A RUDIMENTARY DRAWING INTENDED TO BE USED IN A SMALL GRAPHICAL SCALE. ELEVATIONS ARE VIEWED PERPENDICULAR FROM THE EXTERIOR OF THE STRUCTURE. IF MORE DIMENSIONS ARE NEEDED, USE THE SECTION DRAWINGS FOR MORE COMPLETE DEPICTIONS.



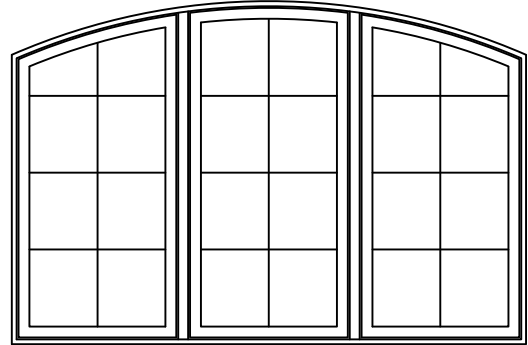
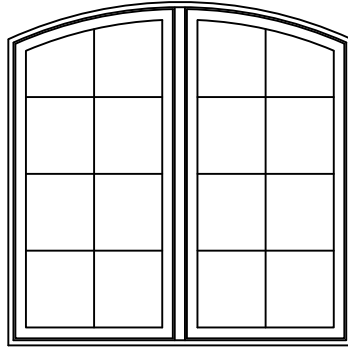
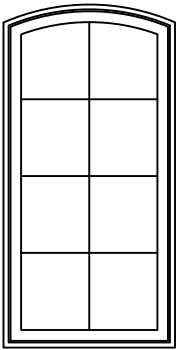
GENERAL CASEMENT NOTES

1. CUSTOM CLAD CASEMENT (CCC) UNITS ARE AVAILABLE AS OPERATING OR FIXED UNITS.
2. 'CCCP' IN A BOOK CODE DENOTES THE UNIT IS A CLAD CASEMENT PICTURE (FIXED) UNIT.
3. UNIT ELEVATIONS ARE SHOWN WITHOUT EXTERIOR TRIM. UNIT SIZES & MASONRY OPENING DIMENSIONS WILL CHANGE WITH THE ADDITION OF EXTERIOR TRIM. SEE THE 'UNIT SIZING, ROUGH OPENINGS & MASONRY OPENINGS' PAGE FOR EXTERIOR TRIM EFFECTS.
4. OPERATING UNITS ARE AVAILABLE AS LEFT OR RIGHT HAND OPERATION.
5. DIMENSIONAL VALUES IN BRACKETS ARE MILLIMETER CONVERSIONS.

ELEVATION SYMBOL LEGEND:

- E** BASIC UNIT CLEAR OPENING EXCEEDS 20" IN WIDTH, 24" IN HEIGHT & A MINIMUM OF 5.7 SQ. FT.
- E*** BASIC UNIT CLEAR OPENING REQUIRES EGRESS HINGES TO EXCEED 20" IN WIDTH, 24" IN HEIGHT & A MINIMUM OF 5.7 SQ. FT.
- E1** BASIC UNIT CLEAR OPENING EXCEEDS 20" IN WIDTH, 24" IN HEIGHT & A MINIMUM OF 5.0 SQ. FT.
- S** STATIONARY UNIT
- ##** NUMBER INDICATES DESIGN PRESSURE (DP) RATING WITH STANDARD GLAZING. OPERATING UNITS UTILIZE THE R65 LOCKING SYSTEM FOR DP RATINGS.

GENERAL INFORMATION
SECTOR TOP CASEMENT



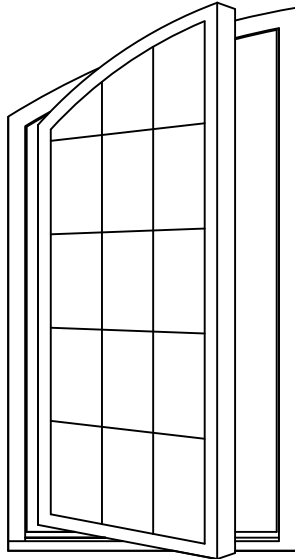
Custom sector clad casements are constructed the same as Custom clad casements, roll formed cladding on wood sash.

Custom sector clad casement windows are available with left or right hand operation (hinged on the springline), or stationary (non-venting). Operating mechanism includes stainless steel, corrosion resistant, butt hinges and single arm roto-type operator with hardened steel gears and operating arm. Sash locks are concealed unison type with an exposed locking lever and escutcheon plate. There are several interior hardware finish options. Refer to the Specifications for finish options.

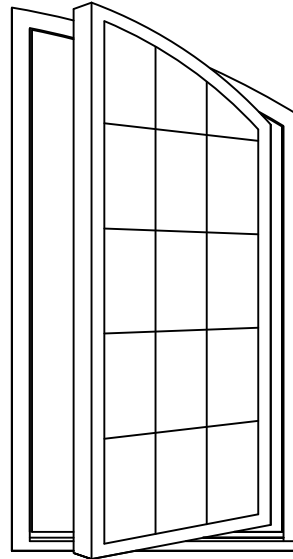
Note: Bookcoded sector top units have roll form sash.

CUSTOM CLAD SECTOR TOP CASEMENTS utilize some of the same options as CLAD Custom CASEMENTS. Those options have not been repeated here in this sub-section.

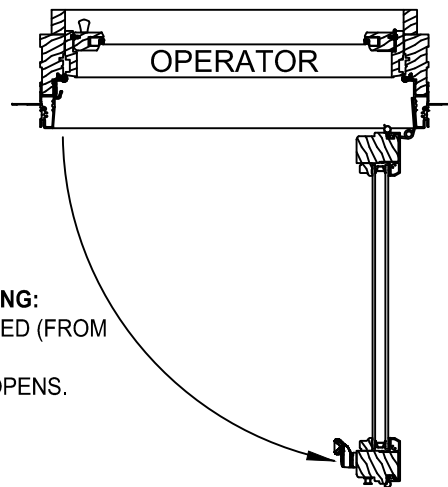
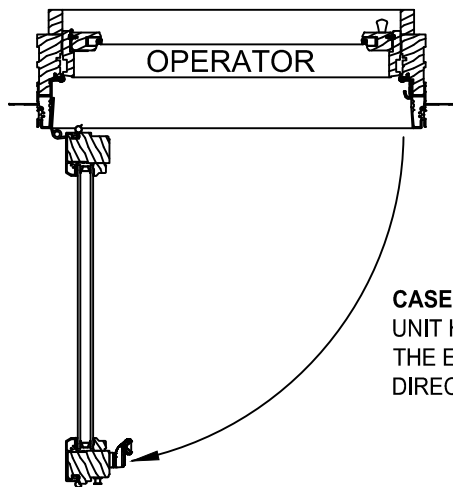
HANDLING & OPERATION
SECTOR TOP CASEMENT



**LEFT
HAND**



**RIGHT
HAND**



CASEMENT UNIT HANDING:
UNIT HANDING IS DEFINED (FROM
THE EXTERIOR) AS THE
DIRECTION THE SASH OPENS.

UNIT HANDING INFORMATION

OPERATING SINGLE SECTOR UNITS - MAY BE HANDED 'LEFT' OR 'RIGHT'.

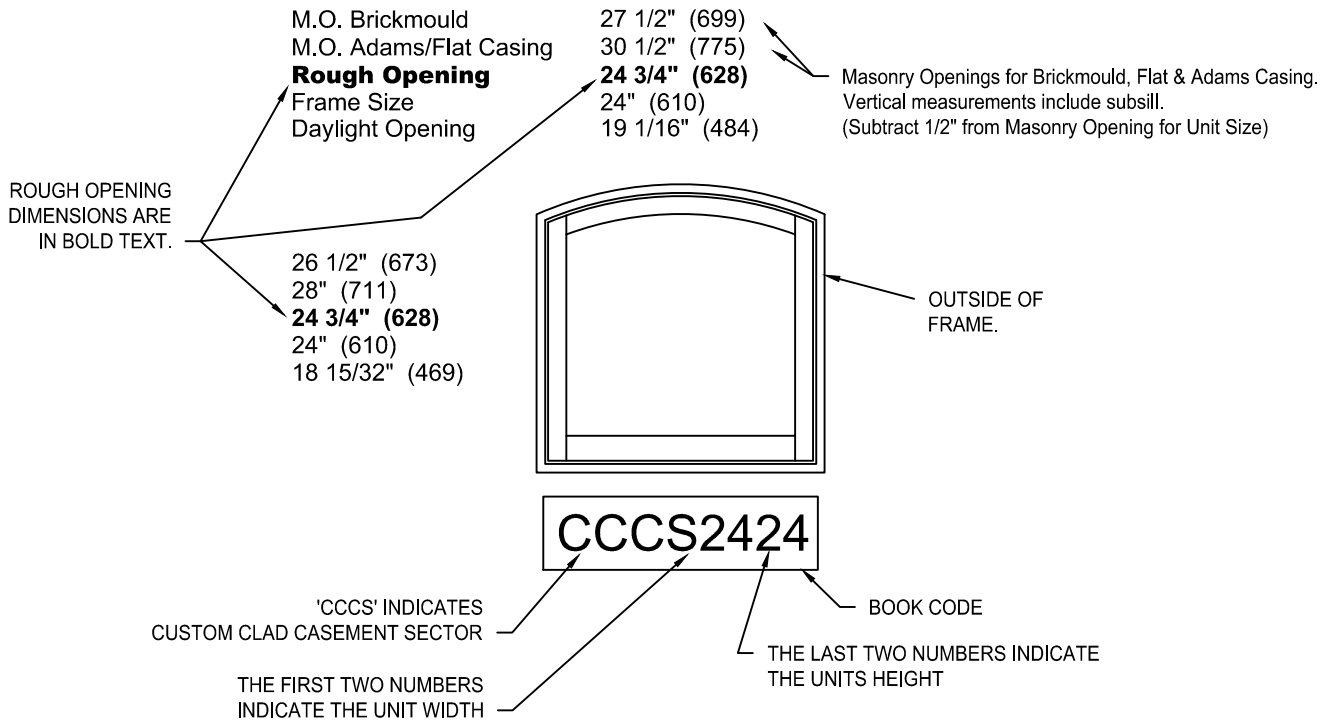
OPERATING TWIN SECTOR UNITS - THESE UNITS ARE HINGED ON THE SPRINGLINE SIDE. THE 'LEFT' SASH HAS 'LEFT' HAND OPERATION AND THE 'RIGHT' SASH HAS 'RIGHT' HAND OPERATION ONLY.

OPERATING TRIPLE SECTOR UNITS - ONLY THE FLANKING UNITS MAY BE OPERATORS WHICH ARE HINGED ON THE SPRINGLINE SIDE. THE TWO OPERATING SASH ARE HANDED THE SAME AS THE TWIN SECTOR.

NOTE: BOOKCODED SECTOR TOP UNITS HAVE ROLL FORM SASH.

ELEVATION NOTES
SECTOR TOP CASEMENT

ELEVATION DRAWINGS UTILIZE A LIMITED NUMBER OF PROJECTED LINES TO PRODUCE A RUDIMENTARY DRAWING INTENDED TO BE USED IN A SMALL GRAPHICAL SCALE. ELEVATIONS ARE VIEWED PERPENDICULAR FROM THE EXTERIOR OF THE STRUCTURE. IF MORE DIMENSIONS ARE NEEDED, USE THE SECTION DRAWINGS FOR MORE COMPLETE DEPICTIONS.



GENERAL RADIUS CASEMENT NOTES

1. UNIT ELEVATIONS ARE SHOWN WITHOUT EXTERIOR TRIM.
2. DIMENSIONAL VALUES IN BRACKETS ARE MILLIMETER CONVERSIONS.
3. ALL SECTOR UNITS ARE AVAILABLE AS OPERATING UNITS.
4. BOOKCODED SECTOR TOP UNITS HAVE ROLL FORM SASH.

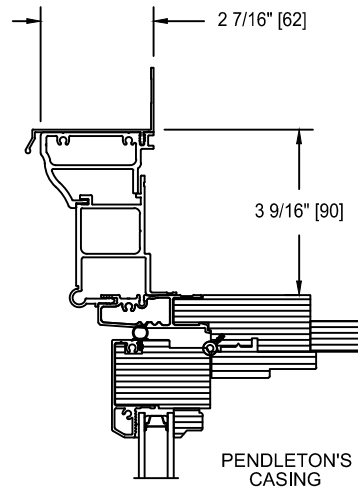
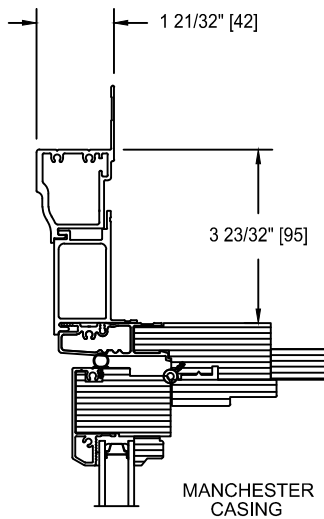
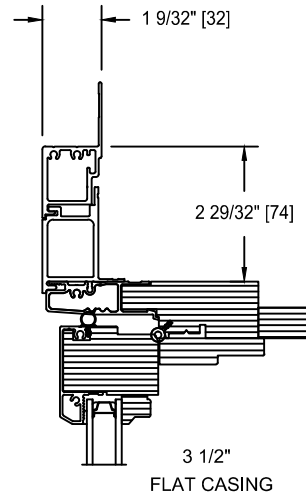
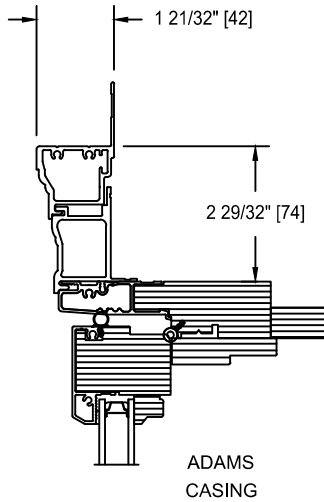
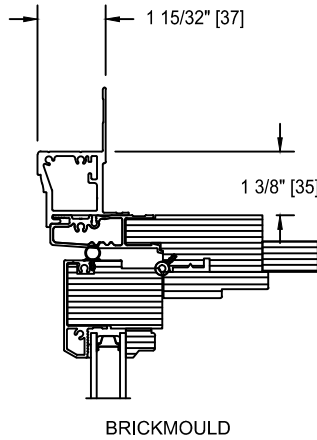
ELEVATION SYMBOL LEGEND:

- E** BASIC UNIT CLEAR OPENING EXCEEDS 20" IN WIDTH, 24" IN HEIGHT & A MINIMUM OF 5.7 SQ. FT.
- E*** BASIC UNIT CLEAR OPENING REQUIRES EGRESS HINGES TO EXCEED 20" IN WIDTH, 24" IN HEIGHT & A MINIMUM OF 5.7 SQ. FT.
- E1** BASIC UNIT CLEAR OPENING EXCEEDS 20" IN WIDTH, 24" IN HEIGHT & A MINIMUM OF 5.0 SQ. FT.
- S** STATIONARY UNIT
- ##** NUMBER INDICATES DESIGN PRESSURE (DP) RATING WITH STANDARD GLAZING. OPERATING UNITS UTILIZE THE R65 LOCKING SYSTEM FOR DP RATINGS.

TRIM OPTIONS
SECTOR TOP RADIUS

EXTERIOR TRIM

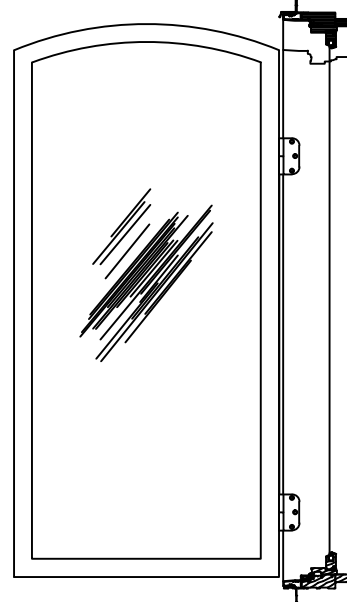
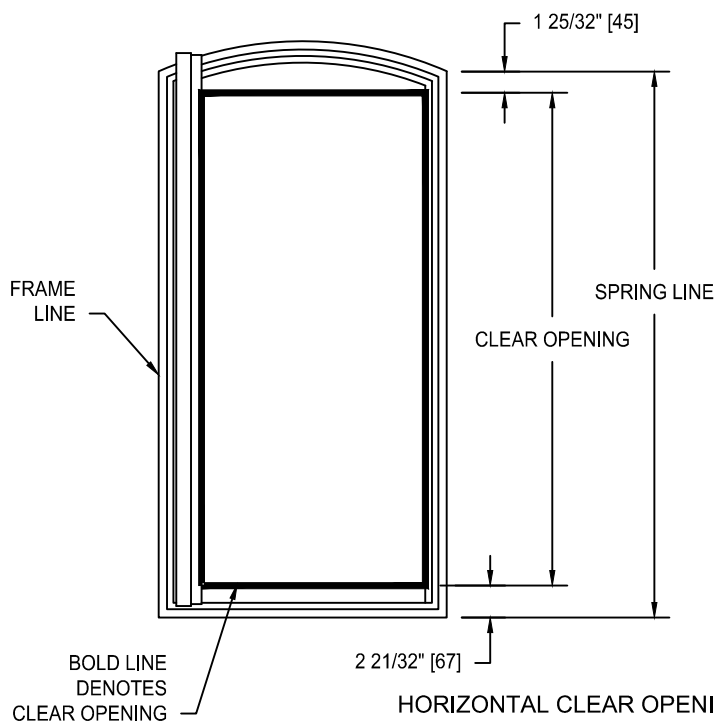
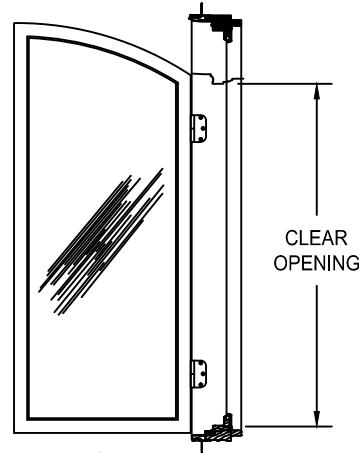
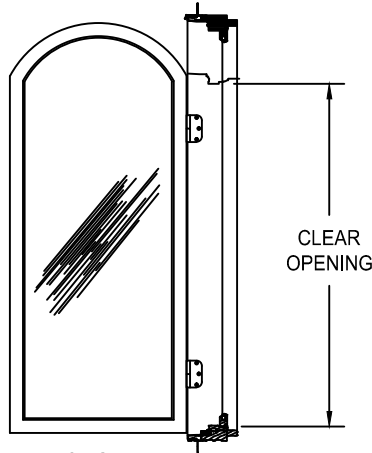
TRIM OPTIONS NOTE:
JAMB EXTENDERS & SILL OPTIONS ARE
CONSISTENT WITH CUSTOM CLAD CASEMENT
(STRAIGHTLINE).



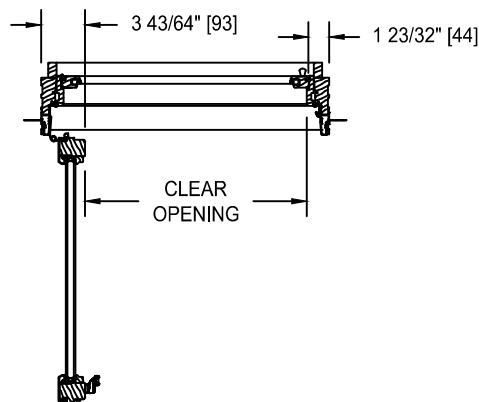
SECTOR TOP CASEMENT
CLEAR OPENING INFORMATION

CLEAR OPENINGS

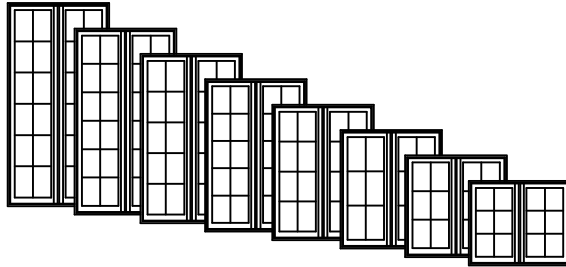
THE CLEAR OPENINGS SHOWN ABOVE ILLUSTRATE THE VERTICAL CLEAR OPENING TO THE INTERIOR SPRINGLINE OF FRAME FEATURES.



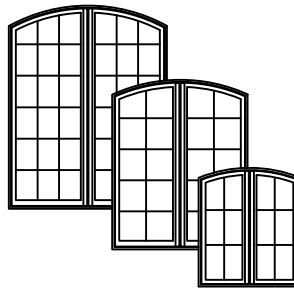
HORIZONTAL CLEAR OPENING



GENERAL NOTES
FRENCH CASEMENT



Straightline windows



Open bottom sector top windows

Custom french clad casement windows are available as left sash active operation only, or stationary (non-venting). Operating mechanism includes corrosion resistant steel hinges and dual arm roto-type operators with hardened steel gears and operating arms. Sash locking system is a concealed cam and keeper type with an exposed locking lever at the sill operator cover. Refer to the Specifications for hardware finish options.

CUSTOM CLAD FRENCH CASEMENTS utilize some of the same options as CLAD Custom CASEMENTS & CLAD SECTOR TOP CASEMENTS. Those options have not been repeated here in this sub-section.

See the CUSTOM CLAD CASEMENT section for:

Unit Sizing

Straightline Trim Options

Jamb Extender Options

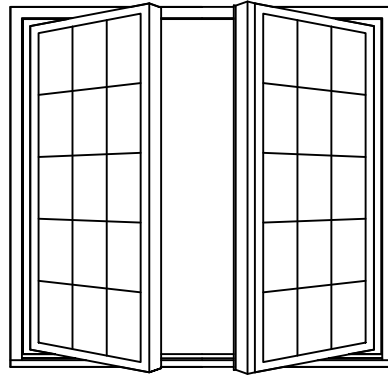
See the CUSTOM CLAD SECTOR TOP CASEMENT section for:

Radius Trim Options

HANDING & OPERATION
FRENCH CASEMENT

ILLUSTRATIONS ARE NOT DRAWN TO SCALE

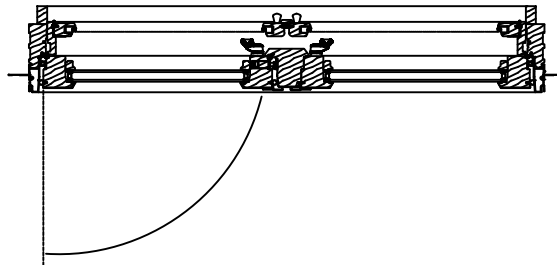
FRENCH CASEMENT HANDING:
FRENCH CASEMENT WINDOWS ARE HANDED WITH THE LEFT SASH AS THE ACTIVE SASH AND THE RIGHT SASH AS THE INACTIVE SASH.



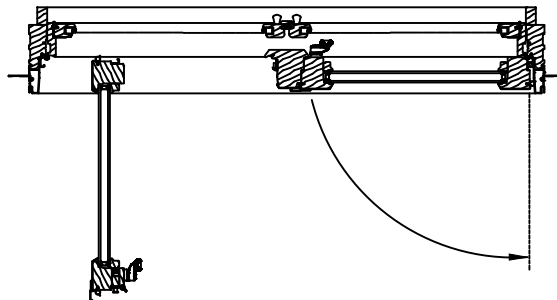
LEFT
ACTIVE

RIGHT
INACTIVE

FRENCH CASEMENT OPERATION:
FRENCH CASEMENT WINDOWS ARE OPERATED WITH THE LEFT SASH OPENED FIRST THEN THE RIGHT SASH OPENED SECOND. TO CLOSE THE WINDOW THE RIGHT SASH IS CLOSED FIRST WITH THE LEFT SASH CLOSING SECOND. THIS OPERATION IS VIEWED FROM THE EXTERIOR.



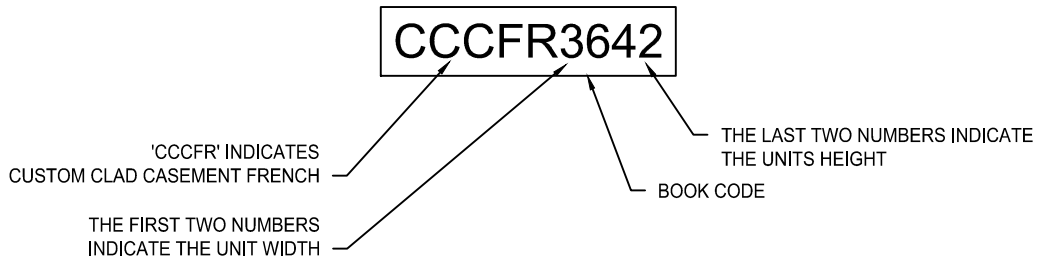
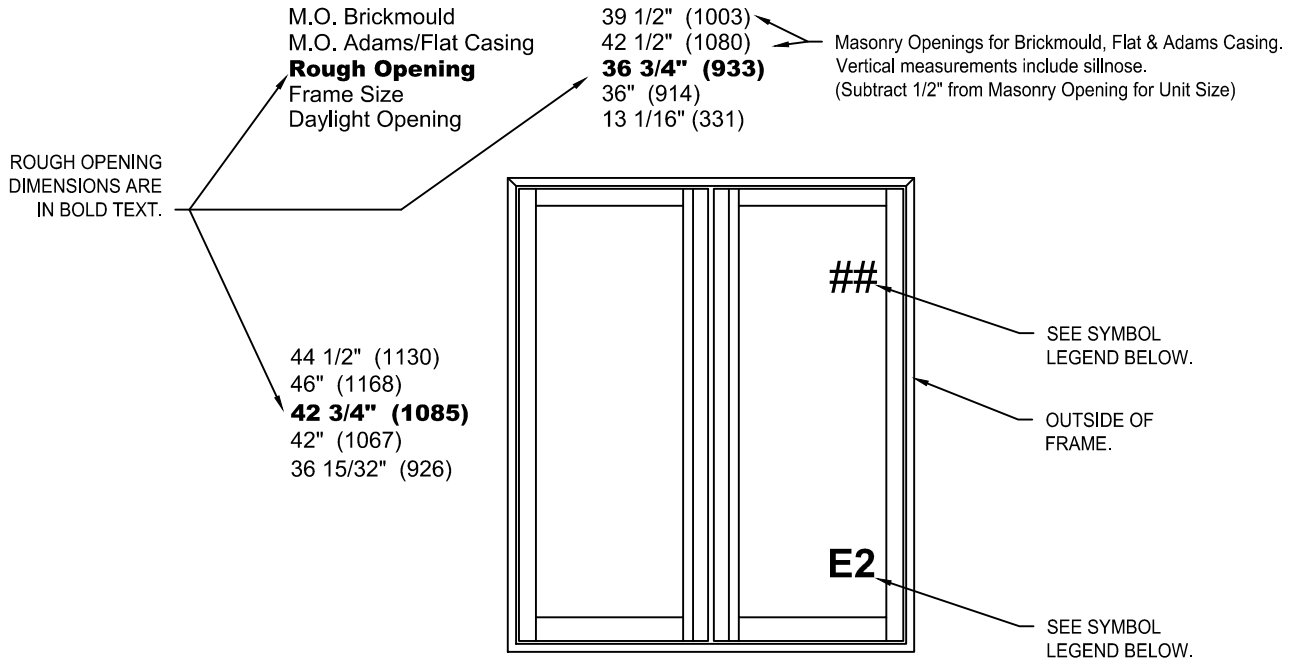
OPENS FIRST
CLOSES SECOND



OPENS SECOND
CLOSES FIRST

ELEVATION NOTES
FRENCH CASEMENT

ELEVATION DRAWINGS UTILIZE A LIMITED NUMBER OF PROJECTED LINES TO PRODUCE A RUDIMENTARY DRAWING INTENDED TO BE USED IN A SMALL GRAPHICAL SCALE. ELEVATIONS ARE VIEWED PERPENDICULAR FROM THE EXTERIOR OF THE STRUCTURE. IF MORE DIMENSIONS ARE NEEDED, USE THE SECTION DRAWINGS FOR MORE COMPLETE DEPICTIONS.



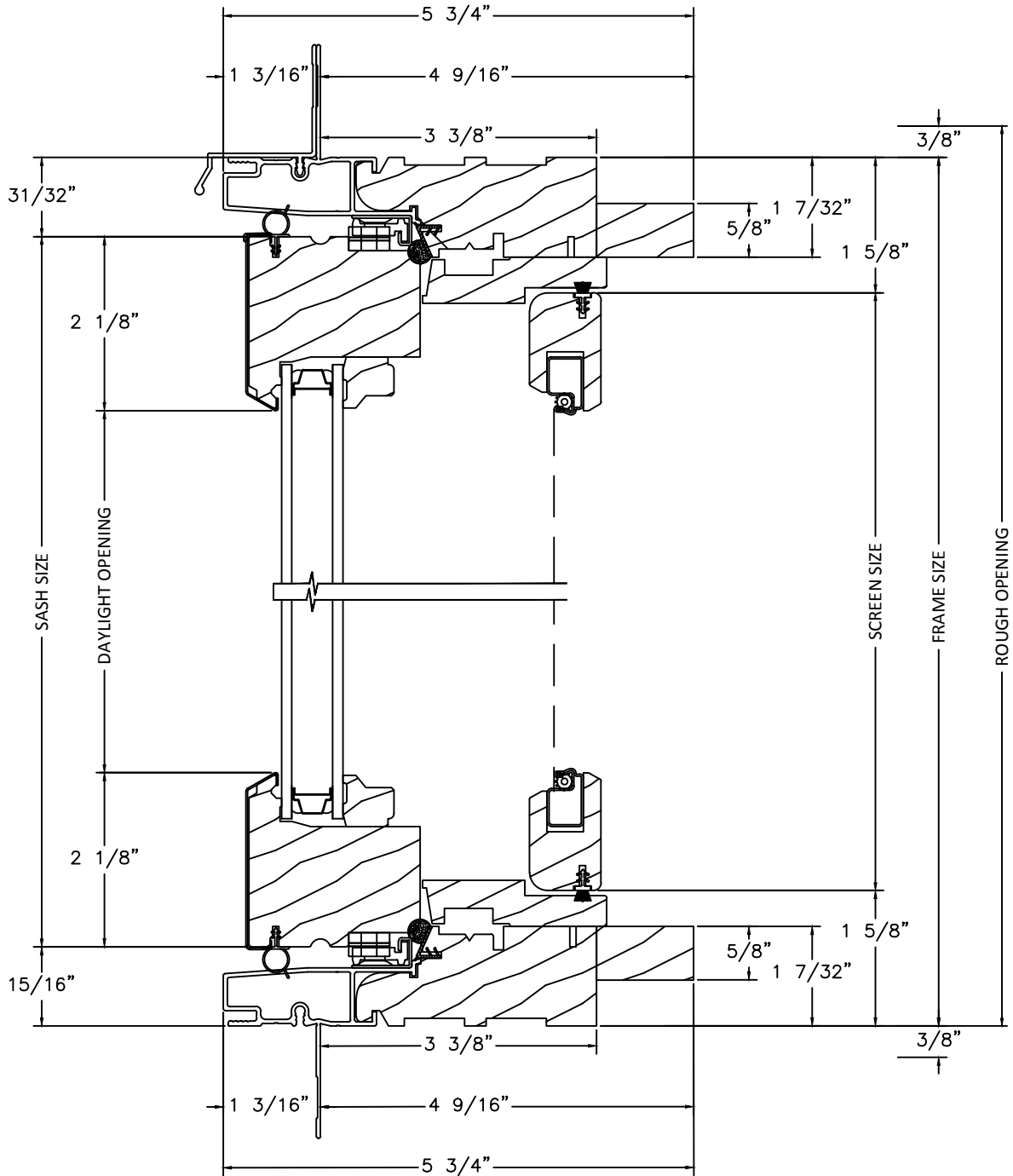
GENERAL CASEMENT NOTES

1. UNIT ELEVATIONS ARE SHOWN WITHOUT EXTERIOR TRIM.
2. DIMENSIONAL VALUES IN BRACKETS ARE MILLIMETER CONVERSIONS.

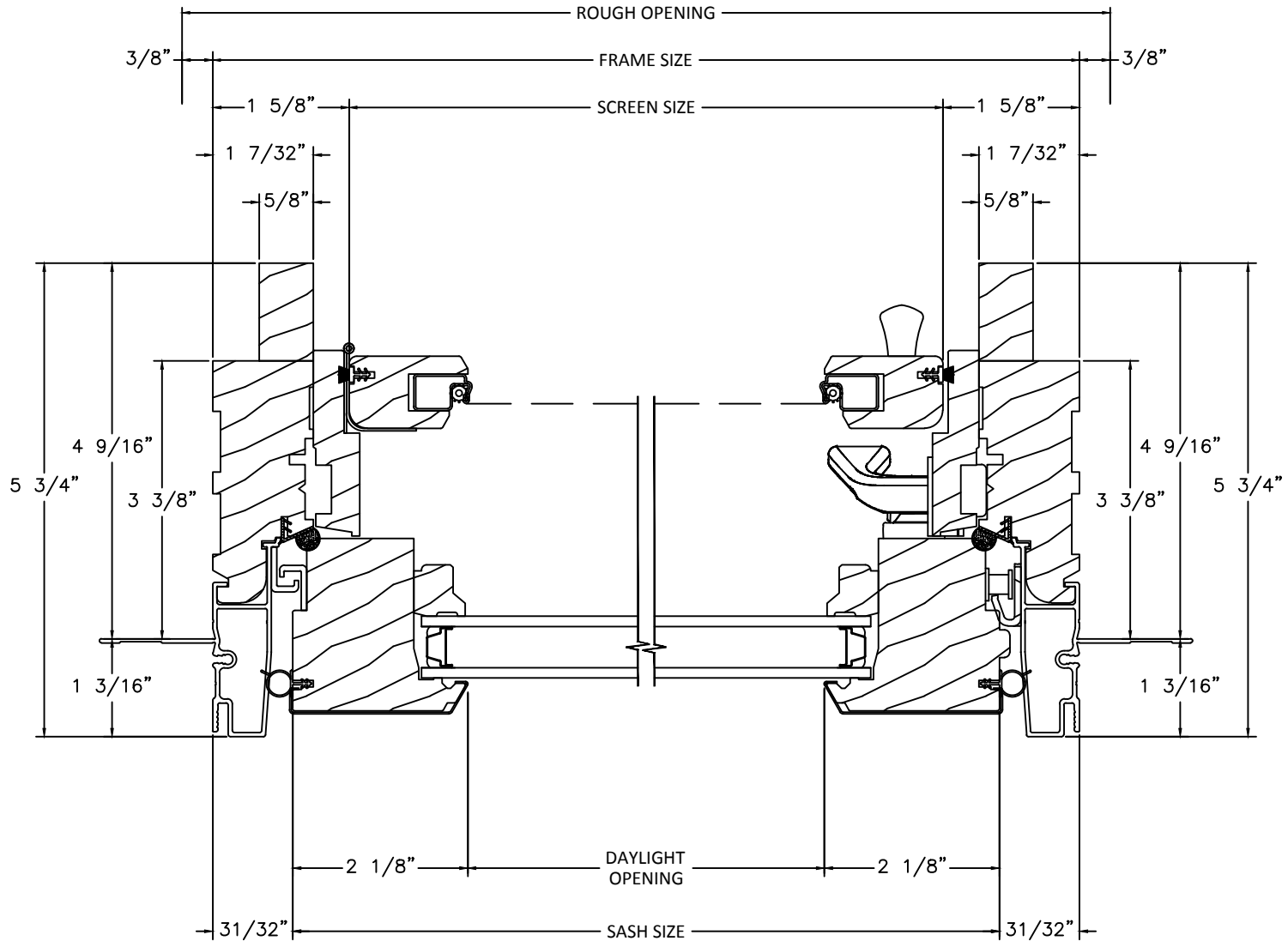
ELEVATION SYMBOL LEGEND:

- E** BASIC UNIT CLEAR OPENING EXCEEDS 20" IN WIDTH, 24" IN HEIGHT & A MINIMUM OF 5.7 SQ. FT.
- E*** BASIC UNIT CLEAR OPENING REQUIRES EGRESS HINGES TO EXCEED 20" IN WIDTH, 24" IN HEIGHT & A MINIMUM OF 5.7 SQ. FT.
- E1** BASIC UNIT CLEAR OPENING EXCEEDS 20" IN WIDTH, 24" IN HEIGHT & A MINIMUM OF 5.0 SQ. FT.
- S** STATIONARY UNIT
- ##** NUMBER INDICATES DESIGN PRESSURE (DP) RATING WITH STANDARD GLAZING. OPERATING UNITS UTILIZE THE R65 LOCKING SYSTEM FOR DP RATINGS.

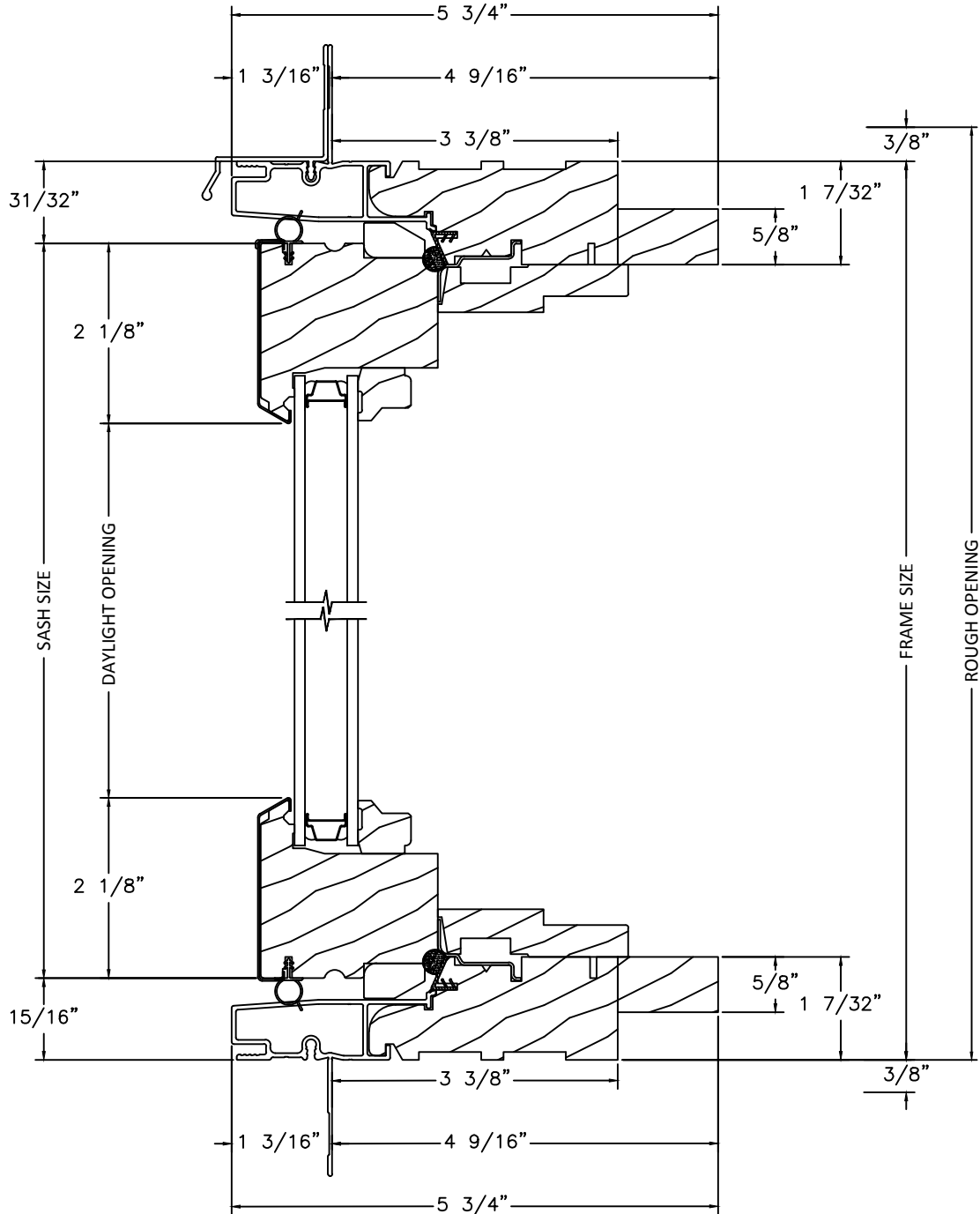
VERTICAL SECTION
OPERATING UNIT



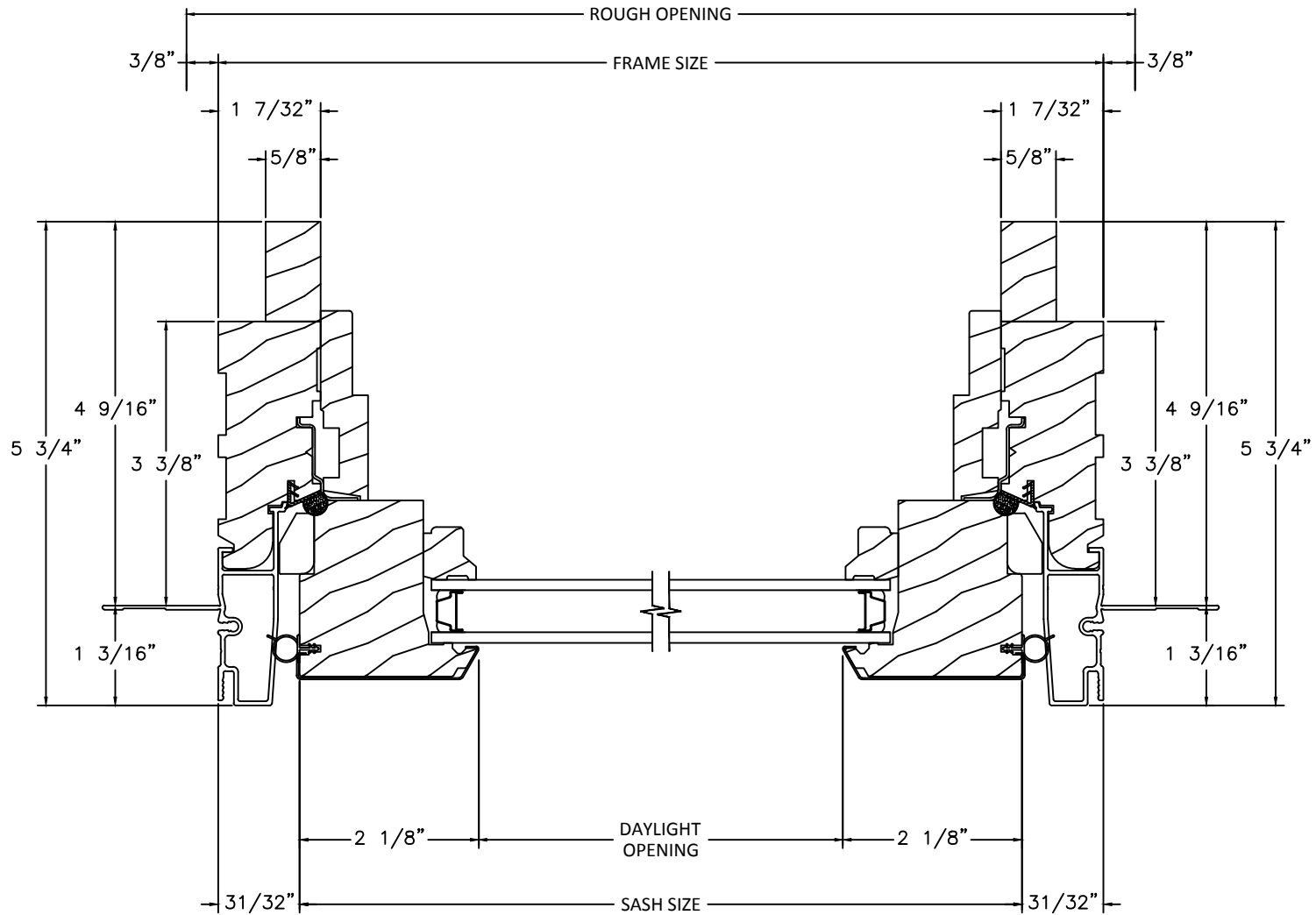
HORIZONTAL SECTION
OPERATING UNIT



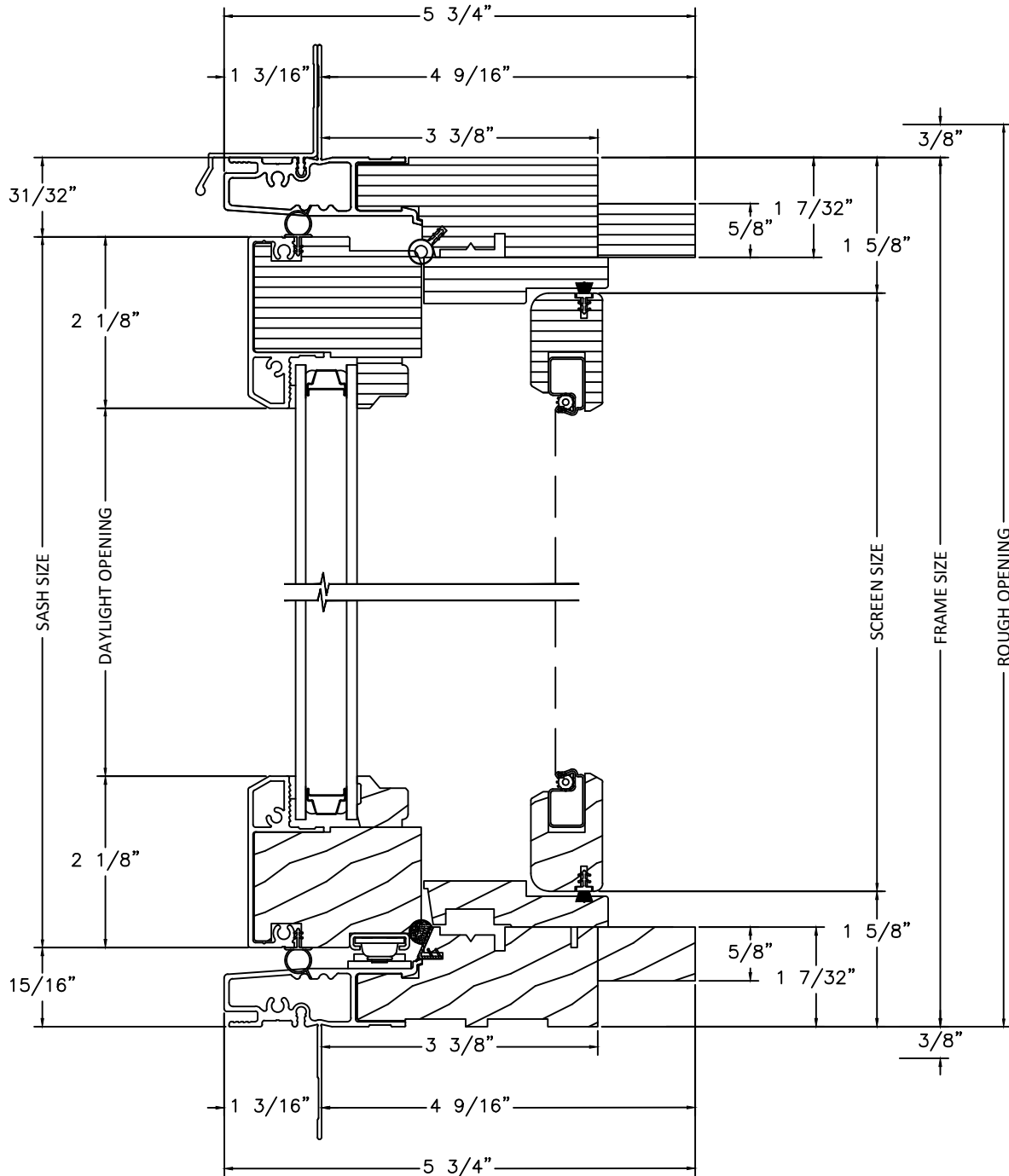
VERTICAL SECTION
PICTURE UNIT



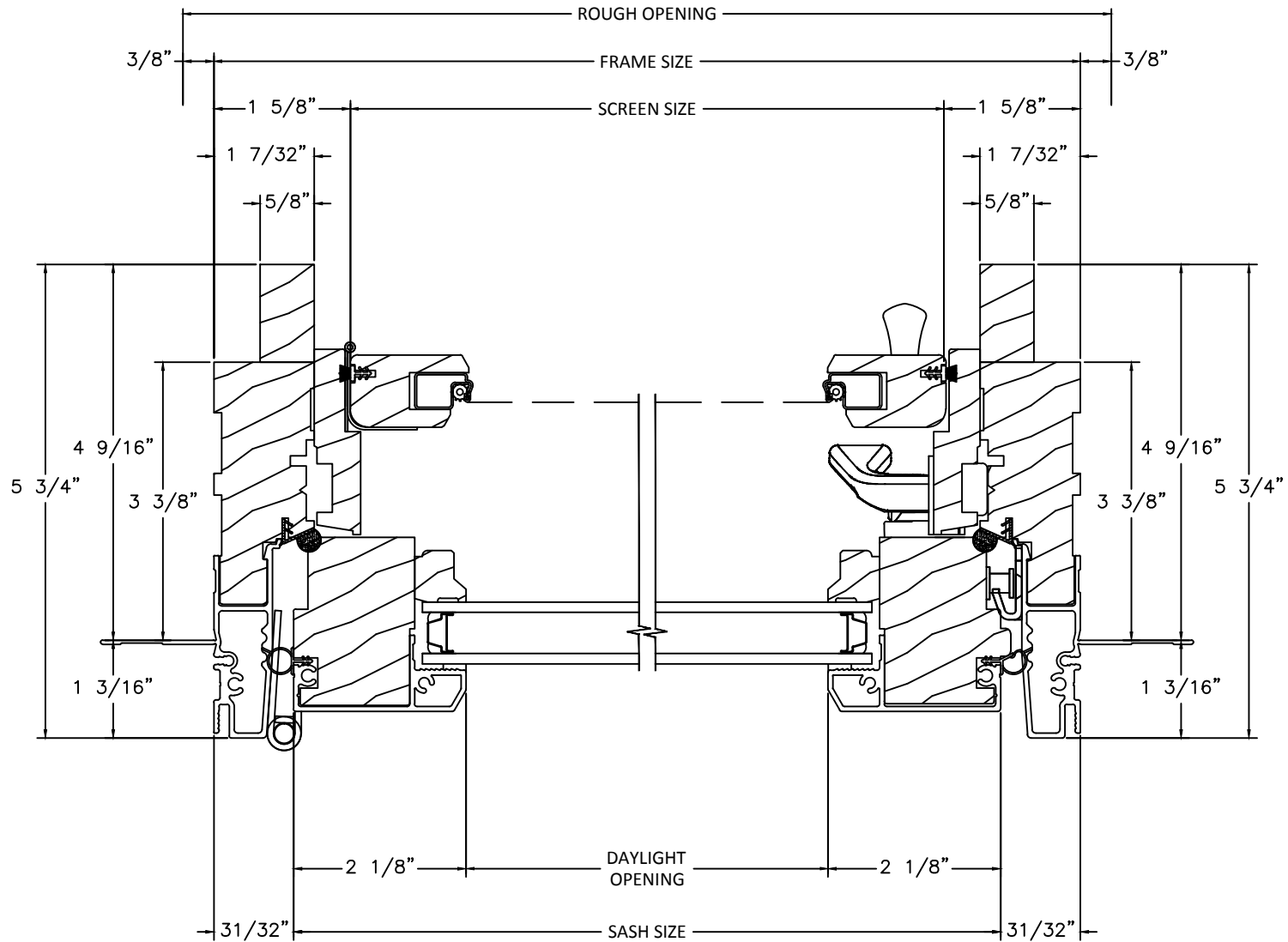
HORIZONTAL SECTION
PICTURE UNIT



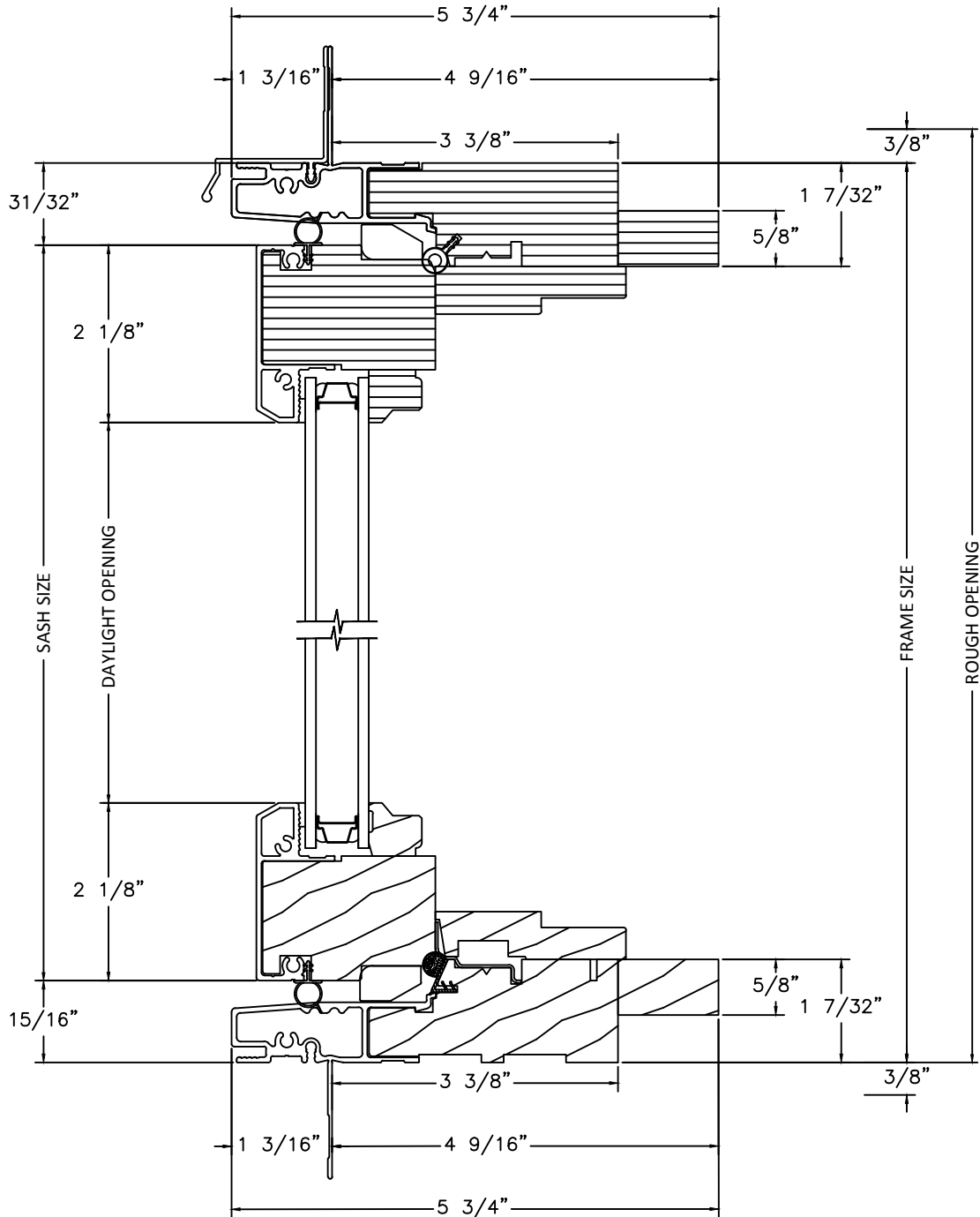
VERTICAL SECTION
OPERATING RADIUS UNIT



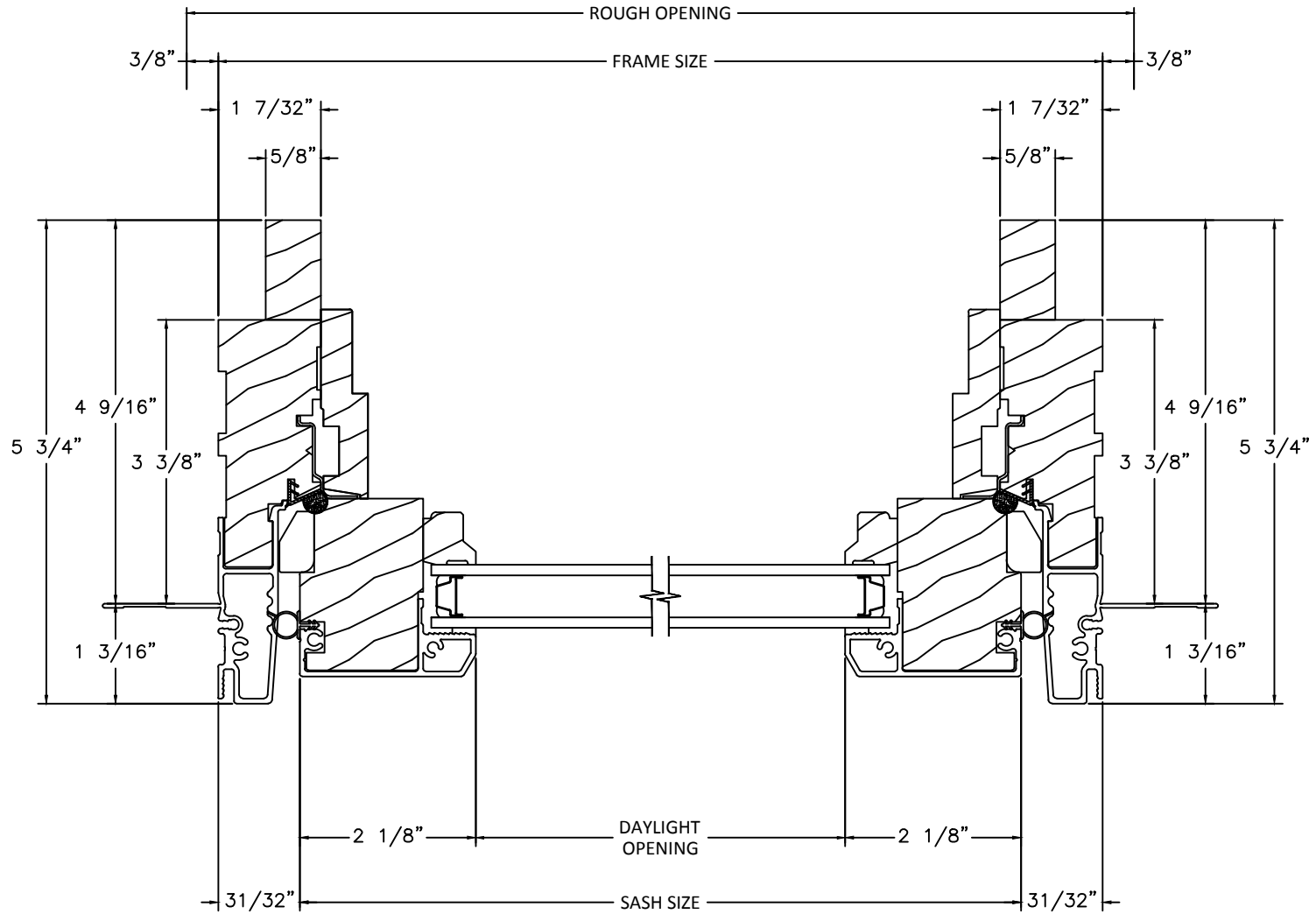
HORIZONTAL SECTION
OPERATING RADIUS UNIT



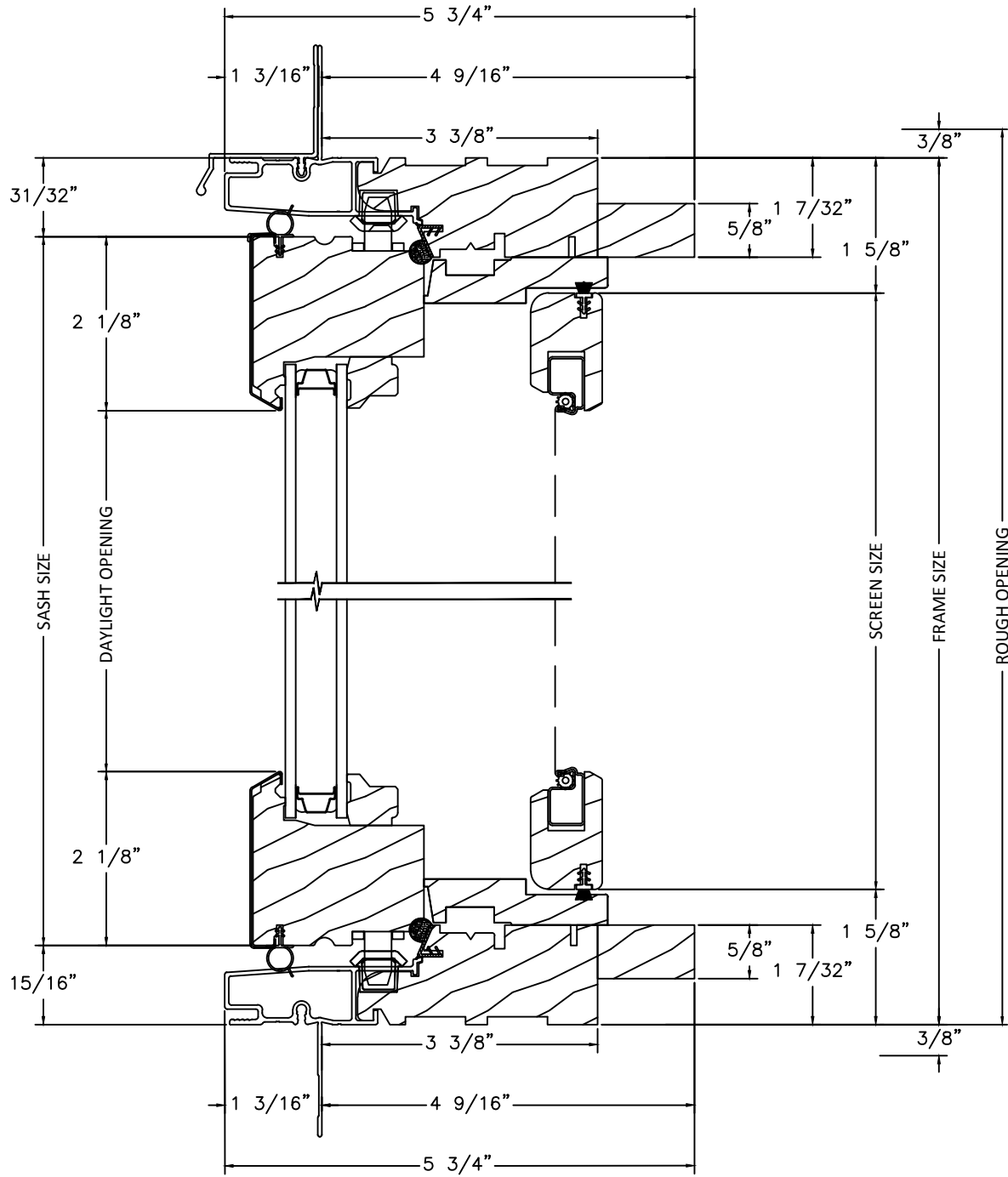
VERTICAL SECTION
STATIONARY RADIUS UNIT



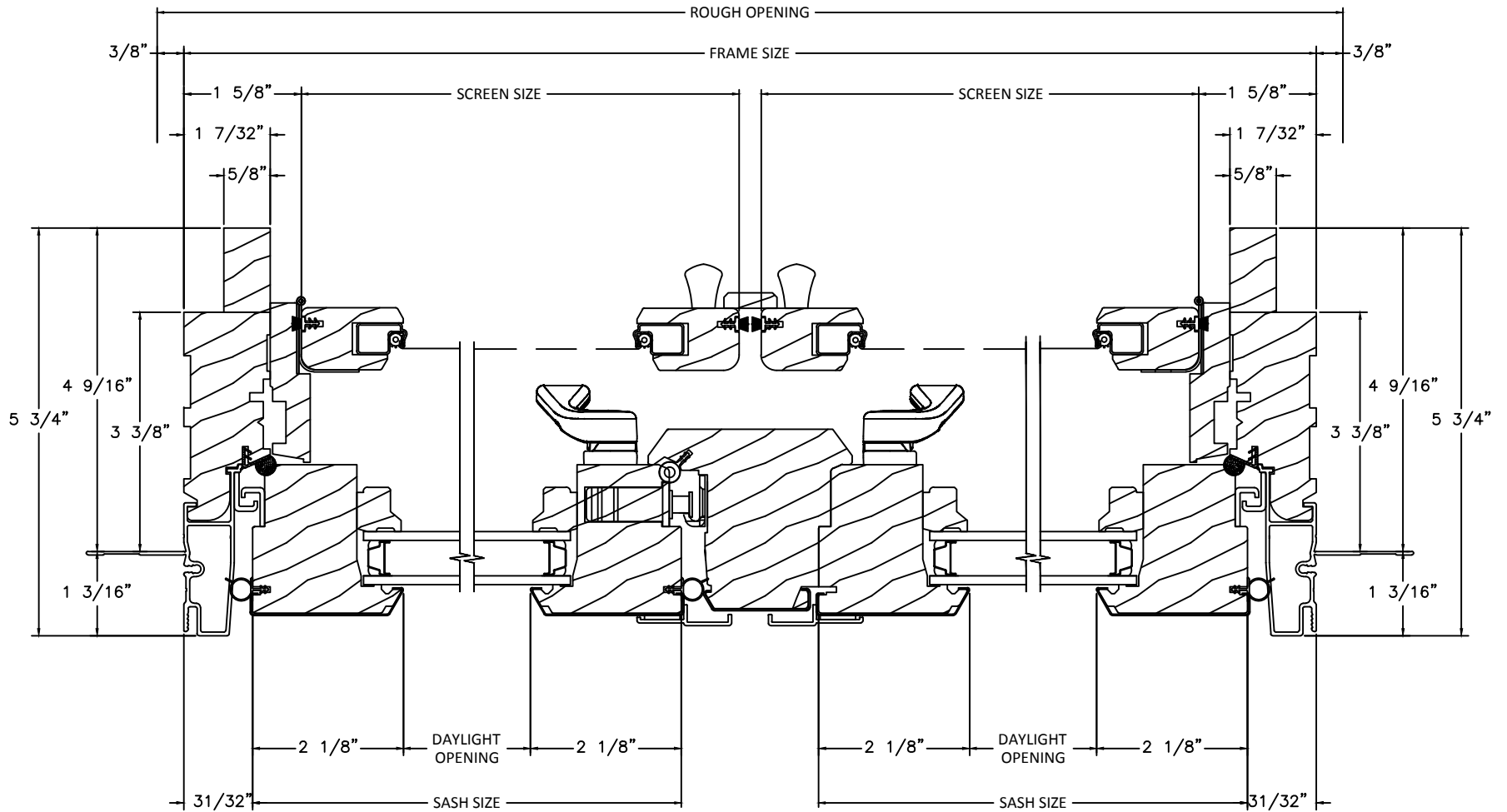
HORIZONTAL SECTION
STATIONARY RADIUS UNIT



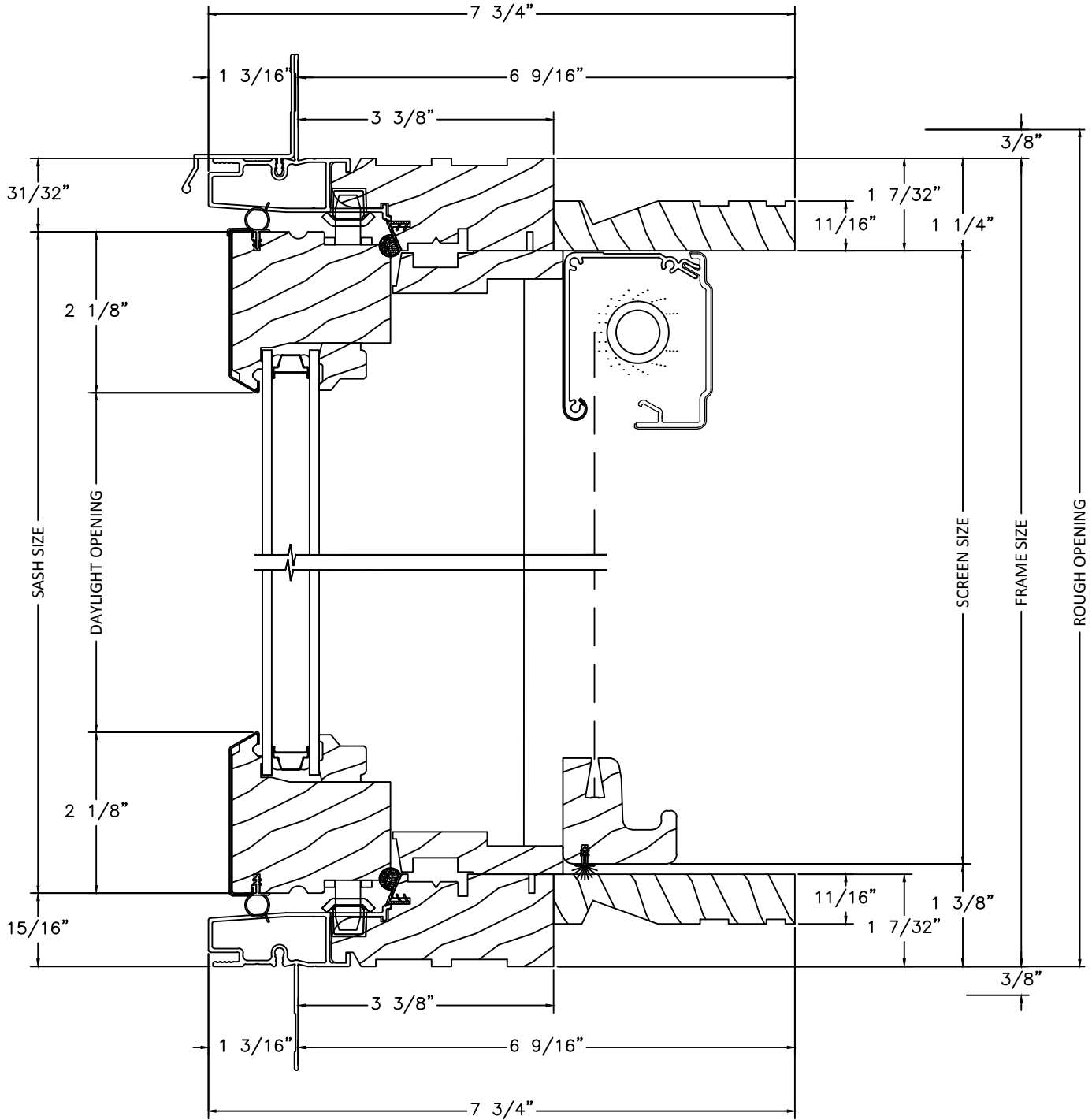
VERTICAL SECTION
FRENCH CASEMENT UNIT



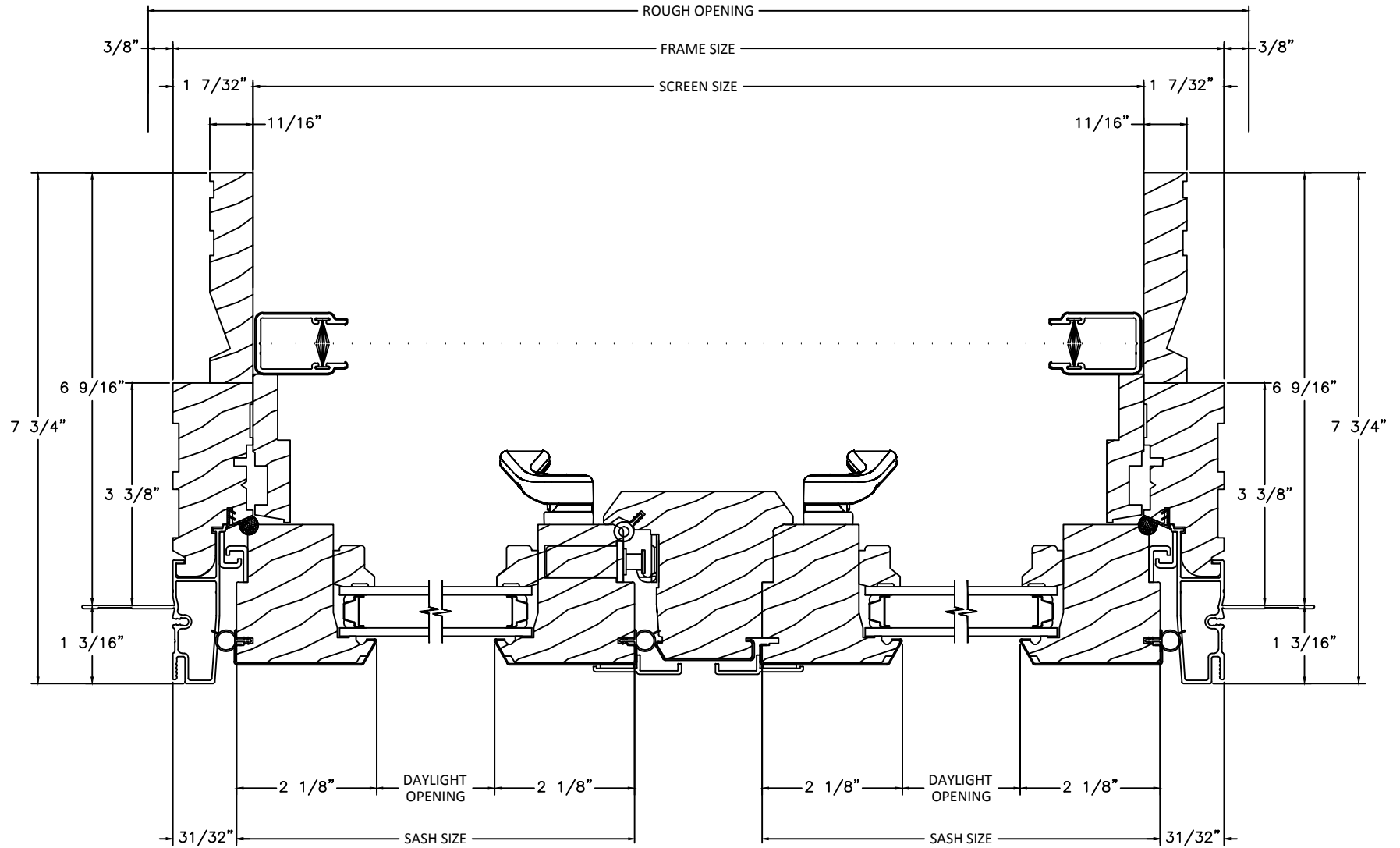
HORIZONTAL SECTION
FRENCH CASEMENT UNIT



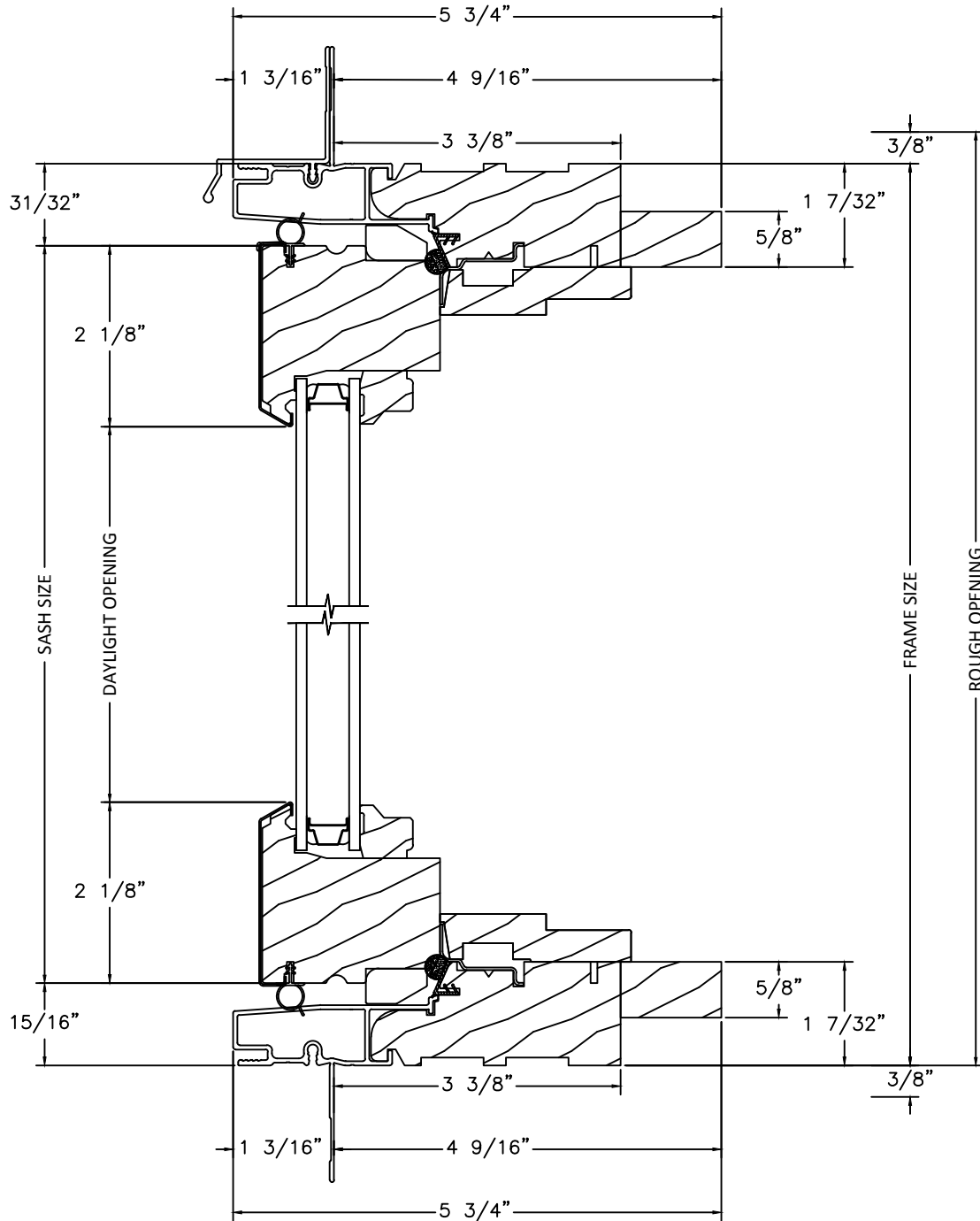
VERTICAL SECTION
FRENCH CASEMENT UNIT
WITH PHANTOM SCREEN



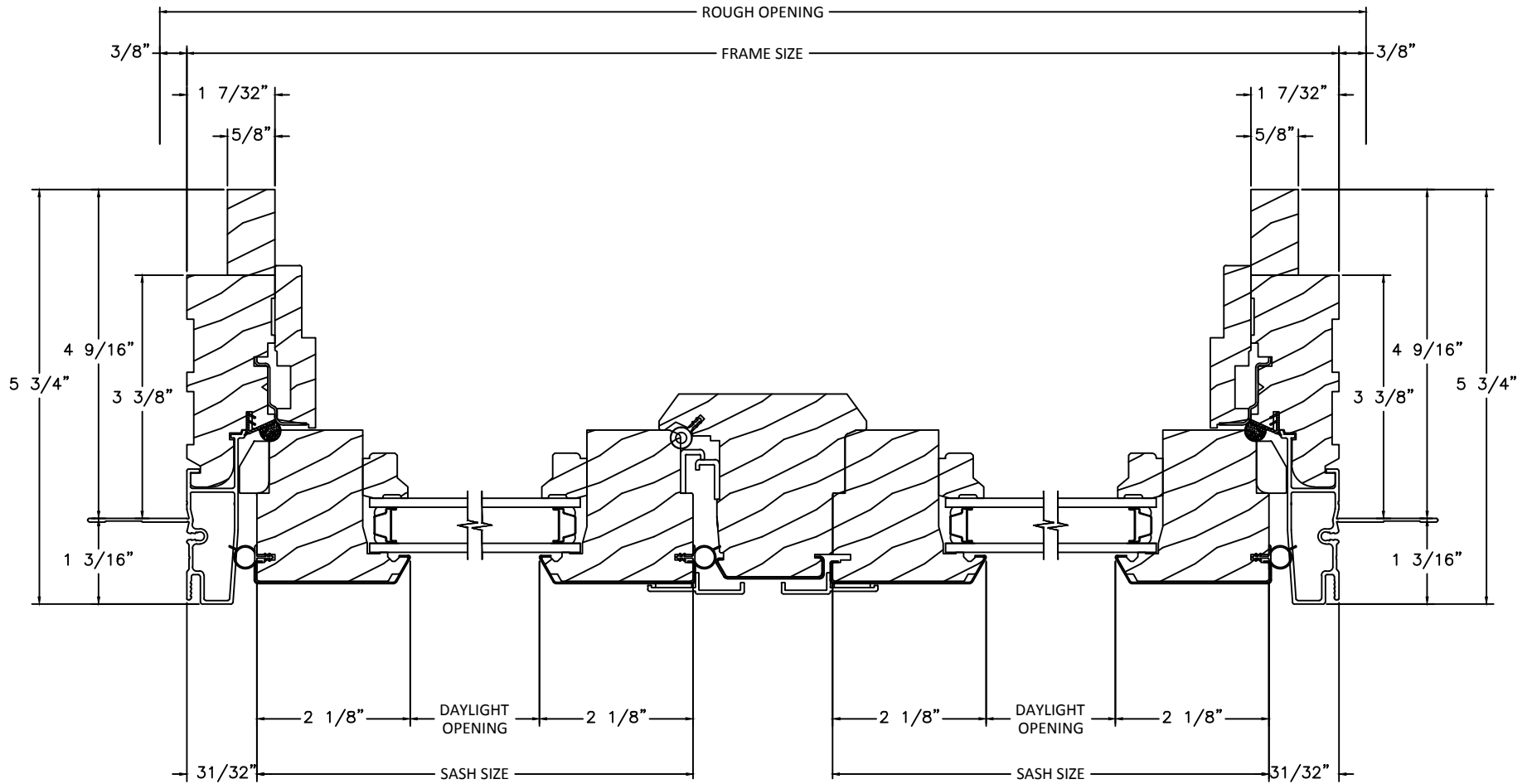
HORIZONTAL SECTION
FRENCH CASEMENT UNIT
WITH PHANTOM SCREEN



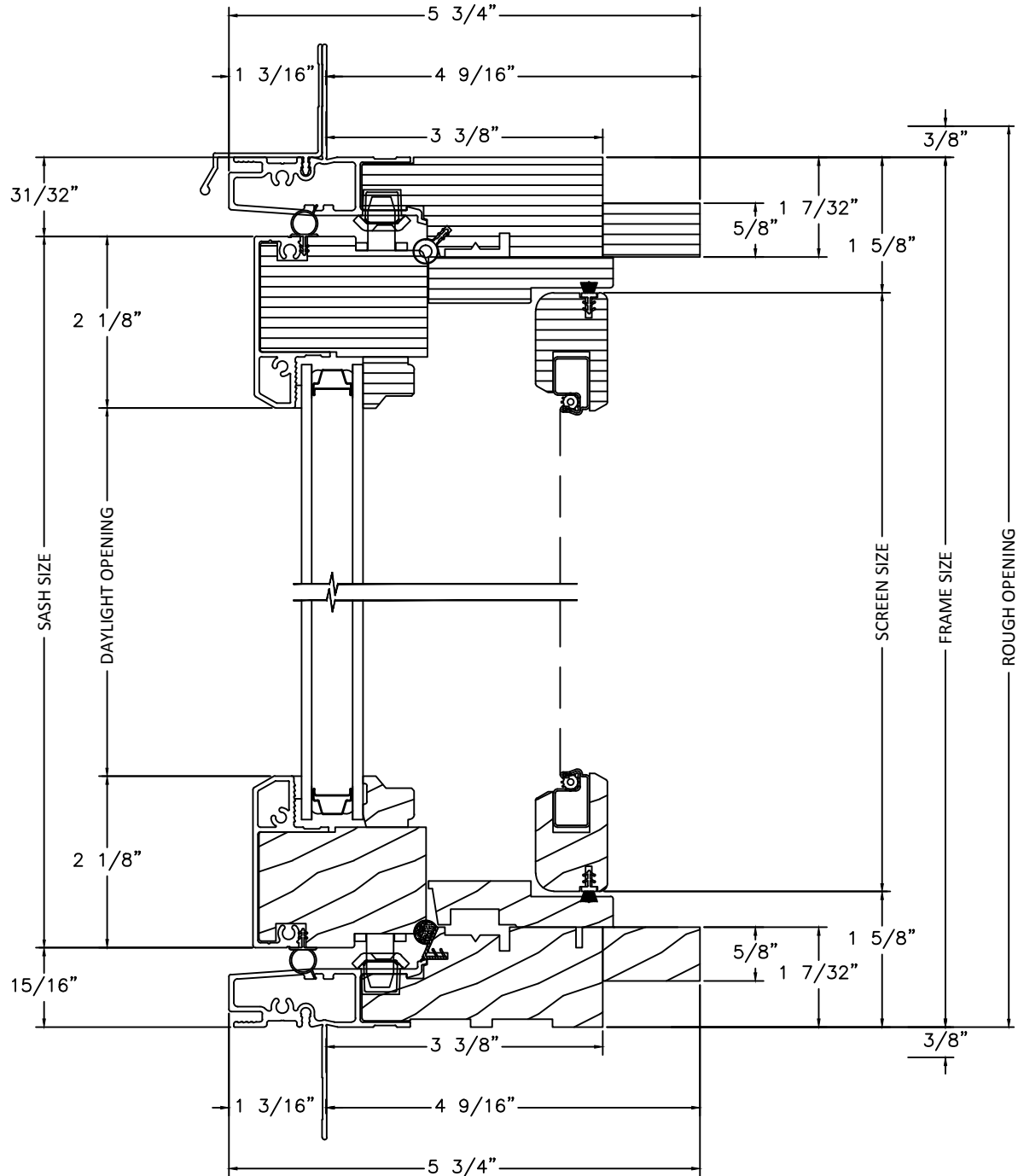
VERTICAL SECTION
FRENCH CASEMENT UNIT
STATIONARY



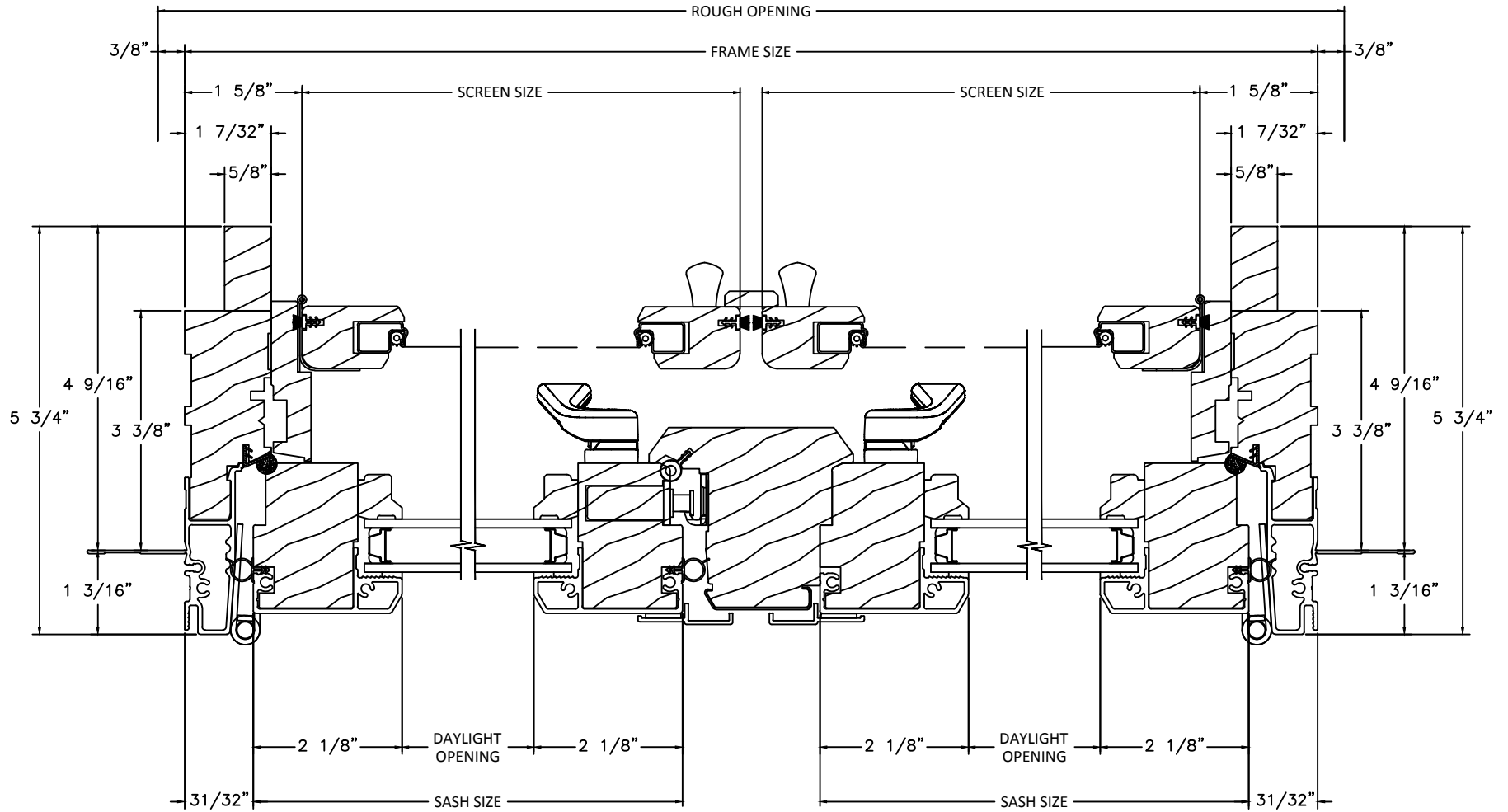
HORIZONTAL SECTION
FRENCH CASEMENT UNIT
STATIONARY



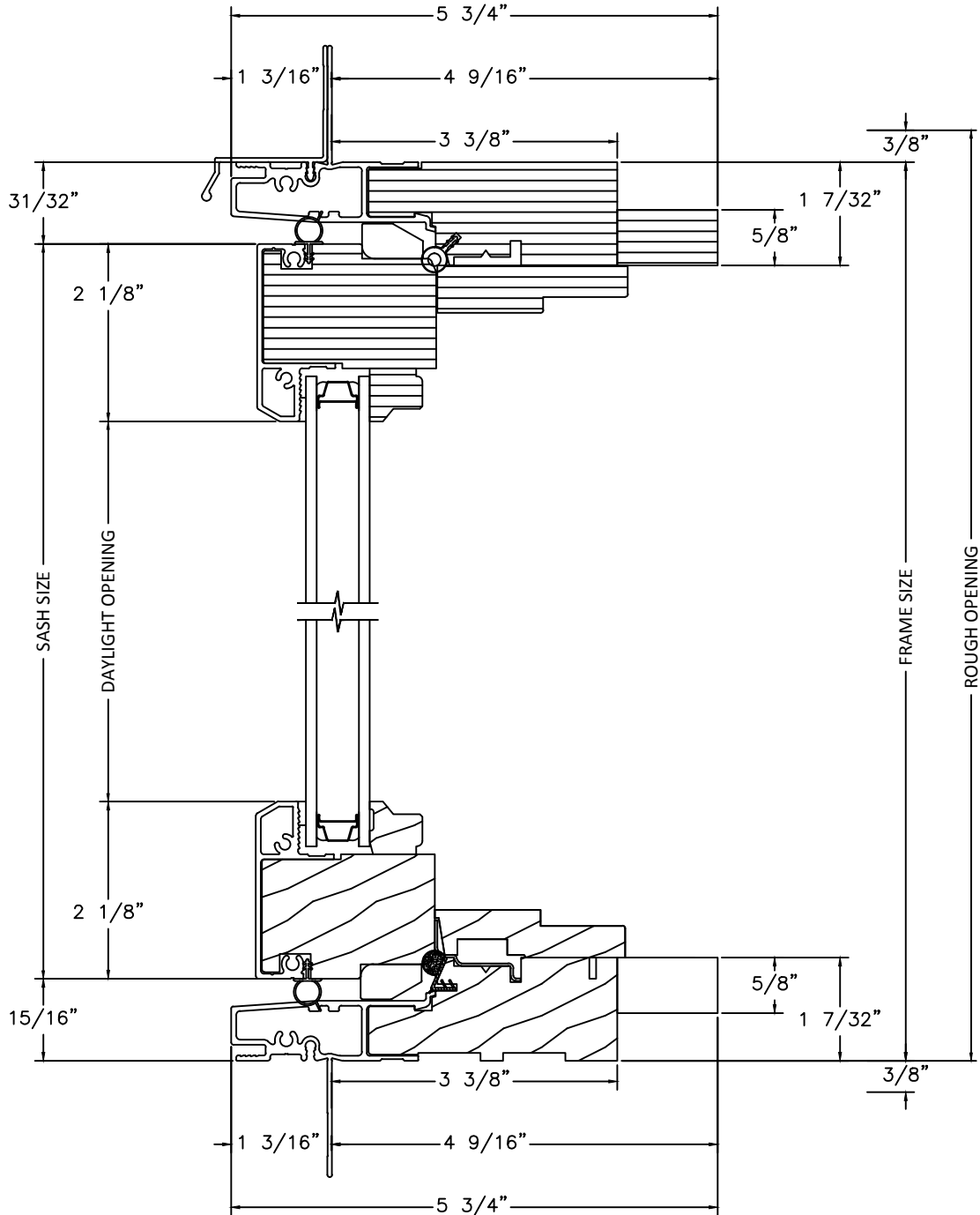
VERTICAL SECTION
FRENCH RADIUS UNIT
OPERATING



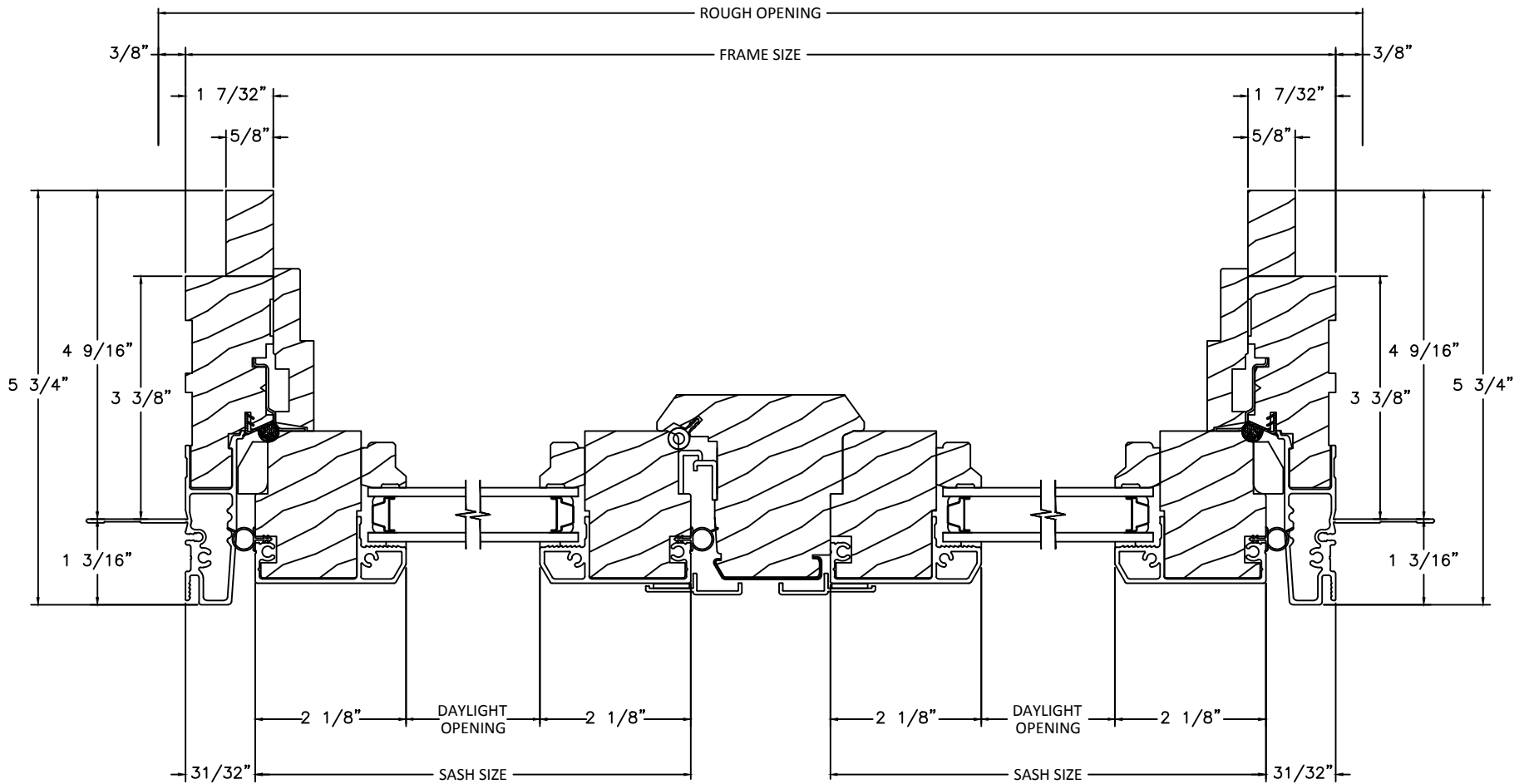
HORIZONTAL SECTION
FRENCH RADIUS UNIT
OPERATING



VERTICAL SECTION
FRENCH RADIUS UNIT
STATIONARY



HORIZONTAL SECTION
FRENCH RADIUS UNIT
STATIONARY



**BAY WINDOW HORIZONTAL
SPECIFICATION TABLES
TABLES**

30° BAY								
Flanker Width	Center Width	A Rough Opening	F Unit Width	B* Overall Projection	C Projection Exterior Wall	E* Seating Depth	D Outside Mull To Mull	G Outside Mull To Unit
18	18	52 3/8	53 11/16	14 13/16	10 1/4	11 7/16	19 13/16	20 3/8
18	36	70 3/8	71 11/16	14 13/16	10 1/4	11 7/16	37 13/16	20 3/8
18	42	76 3/8	77 11/16	14 13/16	10 1/4	11 7/16	43 13/16	20 3/8
18	48	82 3/8	83 11/16	14 13/16	10 1/4	11 7/16	49 13/16	20 3/8
18	60	94 3/8	95 11/16	14 13/16	10 1/4	11 7/16	61 13/16	20 3/8
18	72	106 3/8	107 11/16	14 13/16	10 1/4	11 7/16	73 13/16	20 3/8

45° BAY								
Flanker Width	Center Width	A Rough Opening	F Unit Width	B* Overall Projection	C Projection Exterior Wall	E* Seating Depth	D Outside Mull To Mull	G Outside Mull To Unit
18	18	46 13/16	49 13/16	19 5/16	14 13/16	15 15/16	20 13/16	20 7/8
18	36	64 13/16	67 13/16	19 5/16	14 13/16	15 15/16	38 13/16	20 7/8
18	42	70 13/16	73 13/16	19 5/16	14 13/16	15 15/16	44 13/16	20 7/8
18	48	76 13/16	79 13/16	19 5/16	14 13/16	15 15/16	50 13/16	20 7/8
18	60	88 13/16	91 13/16	19 5/16	14 13/16	15 15/16	62 13/16	20 7/8
18	72	100 13/16	103 13/16	19 5/16	14 13/16	15 15/16	74 13/16	20 7/8

24	24	68 13/16	70 1/16	17 13/16	13 1/4	14 7/16	25 13/16	26 3/8
24	36	80 13/16	82 1/16	17 13/16	13 1/4	14 7/16	37 13/16	26 3/8
24	42	86 13/16	88 1/16	17 13/16	13 1/4	14 7/16	43 13/16	26 3/8
24	48	92 13/16	94 1/16	17 13/16	13 1/4	14 7/16	49 13/16	26 3/8
24	60	104 13/16	106 1/16	17 13/16	13 1/4	14 7/16	61 13/16	26 3/8
24	72	116 13/16	118 1/16	17 13/16	13 1/4	14 7/16	73 13/16	26 3/8

24	24	61 5/16	64 5/16	23 9/16	19 1/32	20 3/16	26 13/16	26 7/8
24	36	73 5/16	76 5/16	23 9/16	19 1/32	20 3/16	38 13/16	26 7/8
24	42	79 5/16	82 5/16	23 9/16	19 1/32	20 3/16	44 13/16	26 7/8
24	48	85 5/16	88 5/16	23 9/16	19 1/32	20 3/16	50 13/16	26 7/8
24	60	97 5/16	100 5/16	23 9/16	19 1/32	20 3/16	62 13/16	26 7/8
24	72	109 5/16	112 5/16	23 9/16	19 1/32	20 3/16	74 13/16	26 7/8

28	28	79 11/16	81	19 13/16	15 1/4	16 7/16	29 13/16	30 3/8
28	36	87 11/16	89	19 13/16	15 1/4	16 7/16	37 13/16	30 3/8
28	42	93 11/16	95	19 13/16	15 1/4	16 7/16	43 13/16	30 3/8
28	48	99 11/16	101	19 13/16	15 1/4	16 7/16	49 13/16	30 3/8
28	60	111 11/16	113	19 13/16	15 1/4	16 7/16	61 13/16	30 3/8
28	72	123 11/16	125	19 13/16	15 1/4	16 7/16	73 13/16	30 3/8

28	28	71	73 31/32	26 3/8	21 7/8	23	30 13/16	30 7/8
28	36	79	81 31/32	26 3/8	21 7/8	23	38 13/16	30 7/8
28	42	85	87 31/32	26 3/8	21 7/8	23	44 13/16	30 7/8
28	48	91	93 31/32	26 3/8	21 7/8	23	50 13/16	30 7/8
28	60	103	105 31/32	26 3/8	21 7/8	23	62 13/16	30 7/8
28	72	115	117 31/32	26 3/8	21 7/8	23	74 13/16	30 7/8

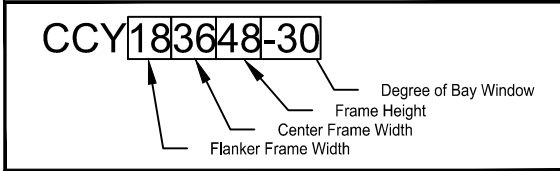
4 9/16 and 6 9/16 WALL APPLICATION

The tables above reflect a 4 9/16" wall application. To convert to 6 9/16" wall application add 2" to the figures in the columns which show an asterisk (*), B and E.

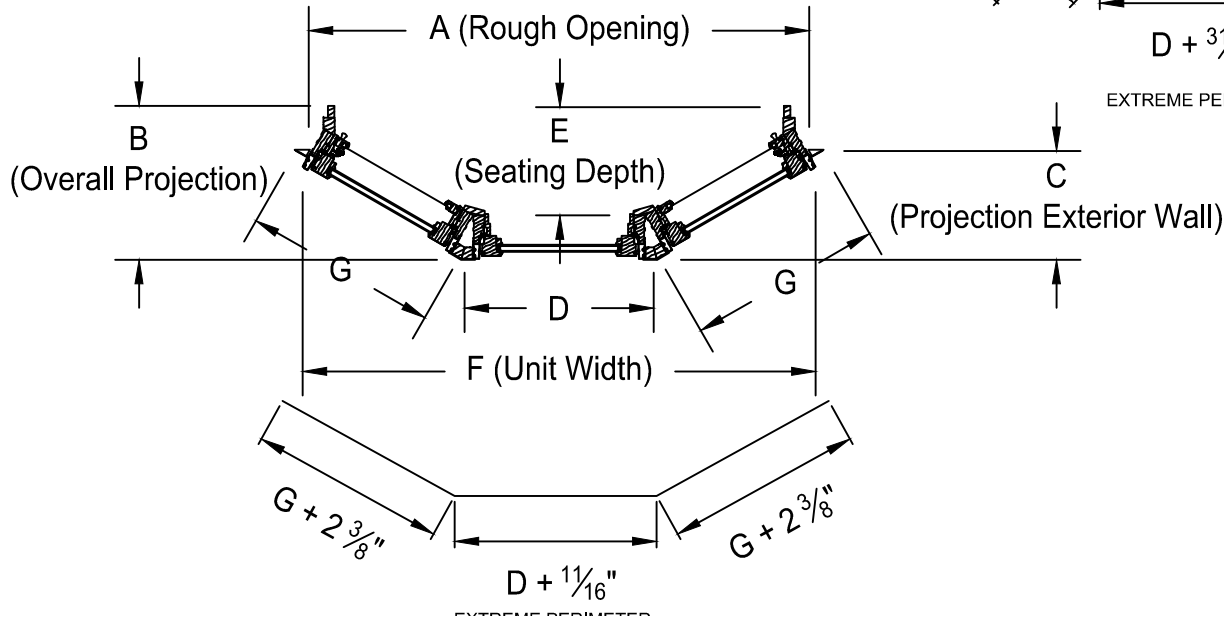
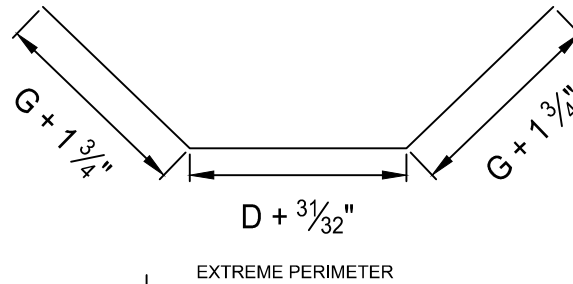
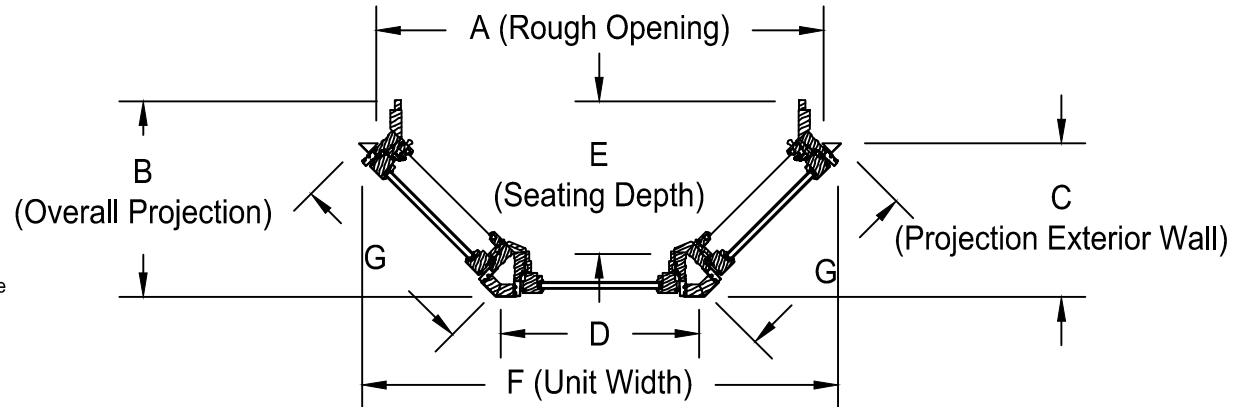
ROUGH OPENING data reflects FRAME + 3/4".

BAY WINDOW HORIZONTAL
SPECIFICATION TABLES
SECTIONS

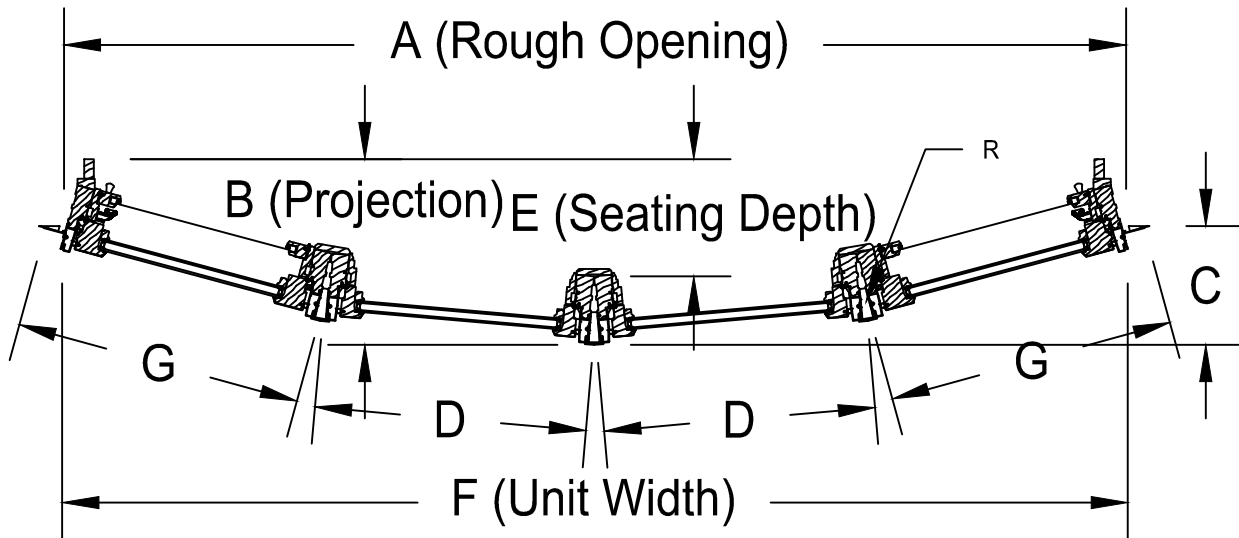
BOOKCODE NOTE:



EXTREME PERIMETER
Extreme Perimeter is the distance around the face of the bay, beginning at the exterior sheathing and continuing around the assembly along the extreme face of the basic unit frame.



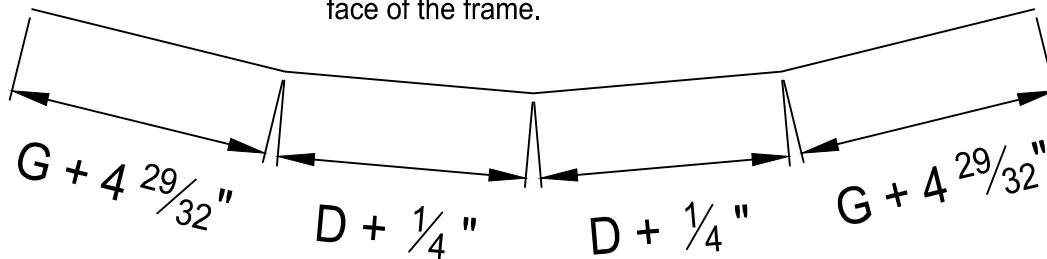
BOW WINDOW HORIZONTAL
SPECIFICATION TABLES
4-WIDE



4 WIDE BOW									
Flanker Width	A Rough Opening	F Unit Width	B* Overall Projection	C Projection Exterior Wall	E* Seating Depth	D Outside Mull To Mull	G Outside Mull To Unit	R Radius	
18	72 7/8	72 32/32	11 13/32	6 27/32	8	18 19/32	19 25/32	106 1/2	
24	96 7/16	96 1/2	13 15/32	8 29/32	10 3/32	24 19/32	25 25/32	140 3/8	
28	112 1/8	112 3/16	14 7/8	10 5/16	11 15/32	28 19/32	29 25/32	163 1/16	

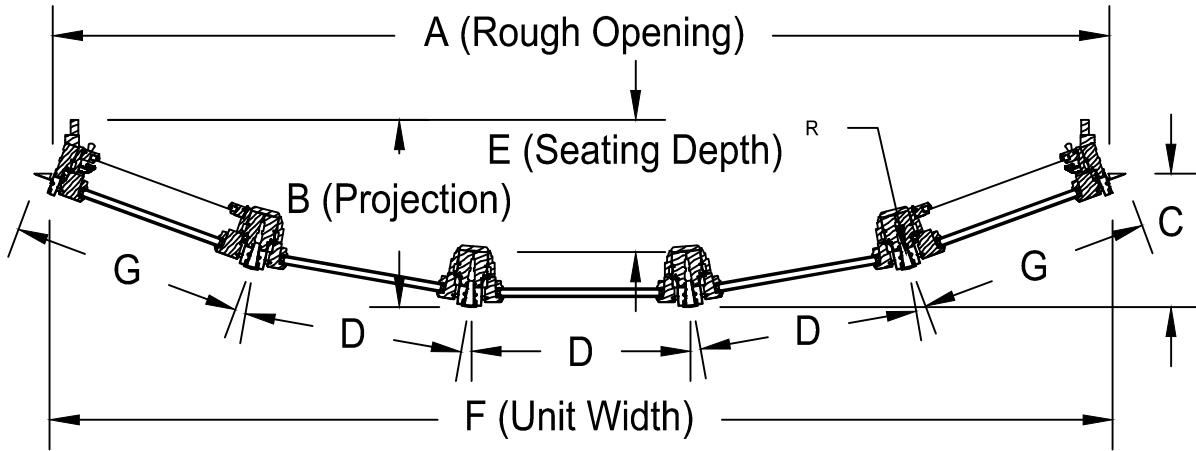
EXTREME PERIMETER

Extreme Perimeter is the distance around the face of the bow, beginning at the exterior sheathing and continuing around the assembly along the extreme face of the frame.



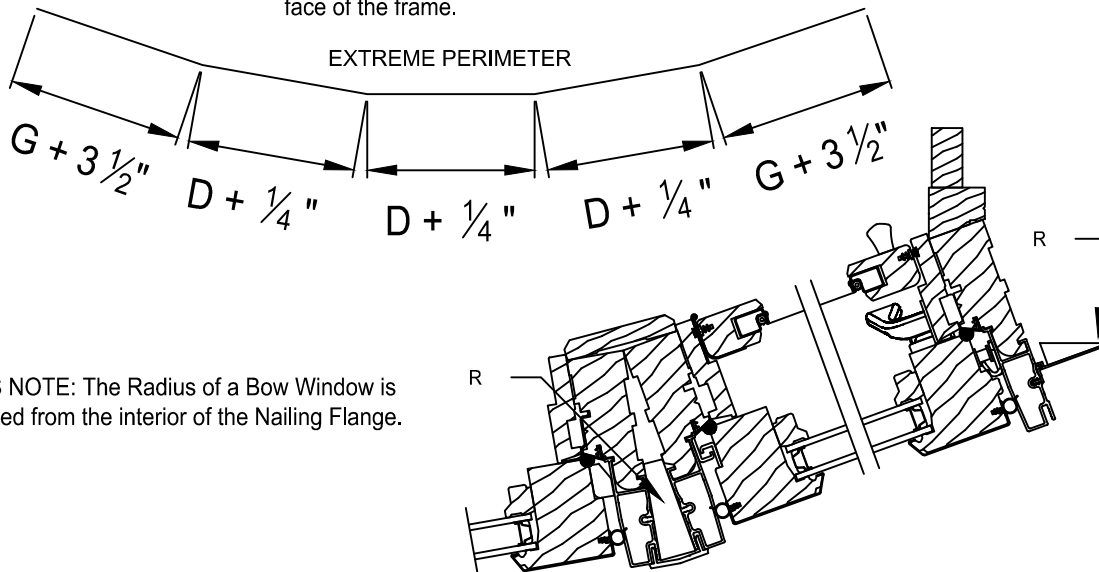
EXTREME PERIMETER

BOW WINDOW HORIZONTAL
SPECIFICATION TABLES
5-WIDE



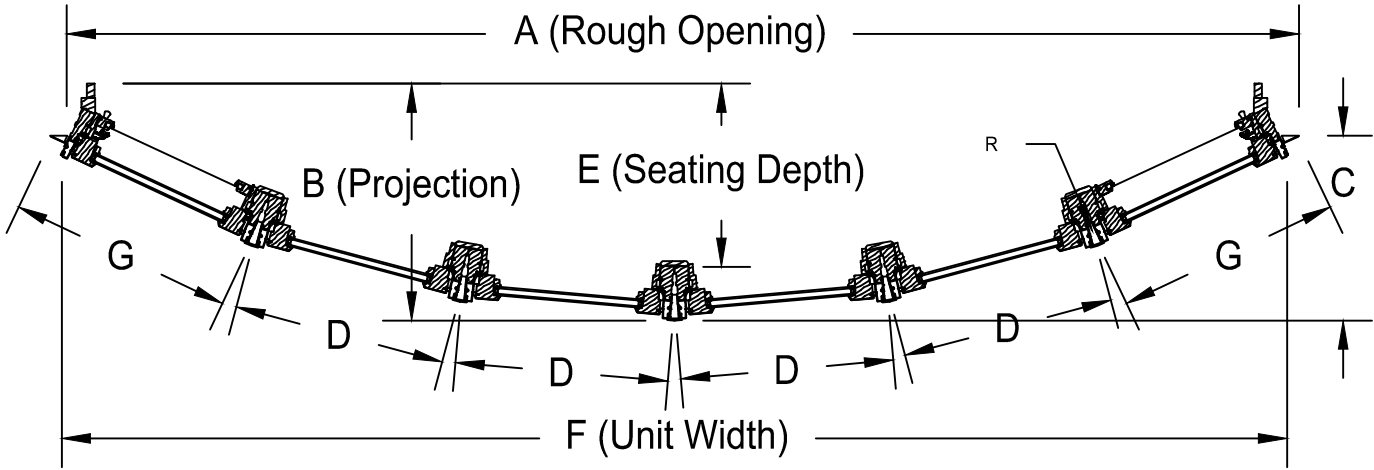
5 WIDE BOW									
Flanker Width	A Rough Opening	F Unit Width	B Overall Projection*	C Projection Exterior Wall	E Seating Depth*	D Outside Mull To Mull	G Outside Mull To Unit	R Radius	
18	89 15/16	90 3/8	14 5/8	10 1/16	11 7/32	18 19/32	19 25/32	106 1/2	
24	119	119 7/16	17 11/16	13 1/8	14 5/16	24 19/32	25 25/32	140 15/16	
28	138 3/8	138 27/32	19 3/4	15 3/16	16 3/8	28 19/32	29 25/32	163 1/16	

EXTREME PERIMETER
Extreme Perimeter is the distance around the face of the bow, beginning at the exterior sheathing and continuing around the assembly along the extreme face of the frame.



RADIUS NOTE: The Radius of a Bow Window is referenced from the interior of the Nailing Flange.

**BOW WINDOW HORIZONTAL
SPECIFICATION TABLES
6-WIDE**

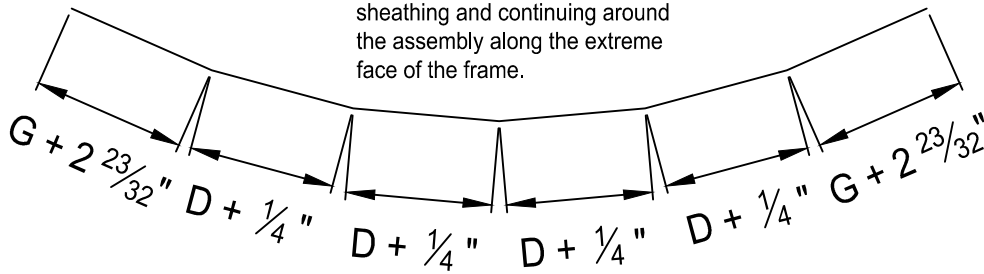


6 WIDE BOW									
Flanker Width	A Rough Opening	F Unit Width	B * Overall Projection	C Projection Exterior Wall	E * Seating Depth	D Outside Mull To Mull	G Outside Mull To Unit	R Radius	
18	106 1/4	107 1/16	19 3/8	14 13/16	16	18 19/32	19 25/32	106 1/2	
24	140 5/8	141 15/32	24	19 7/16	20 5/8	24 19/32	25 25/32	140 15/16	
28	163 5/8	164 7/16	27 1/16	22 1/2	23 11/16	28 19/32	29 25/32	163 1/16	

4 9/16 and 6 9/16 WALL APPLICATION

The tables above reflect a 4 9/16" wall application. To convert to 6 9/16" wall application add 2" to the figures in the columns which show an asterisk (*), B and E.

EXTREME PERIMETER
Extreme Perimeter is the distance around the face of the bow, beginning at the exterior sheathing and continuing around the assembly along the extreme face of the frame.



EXTREME PERIMETER

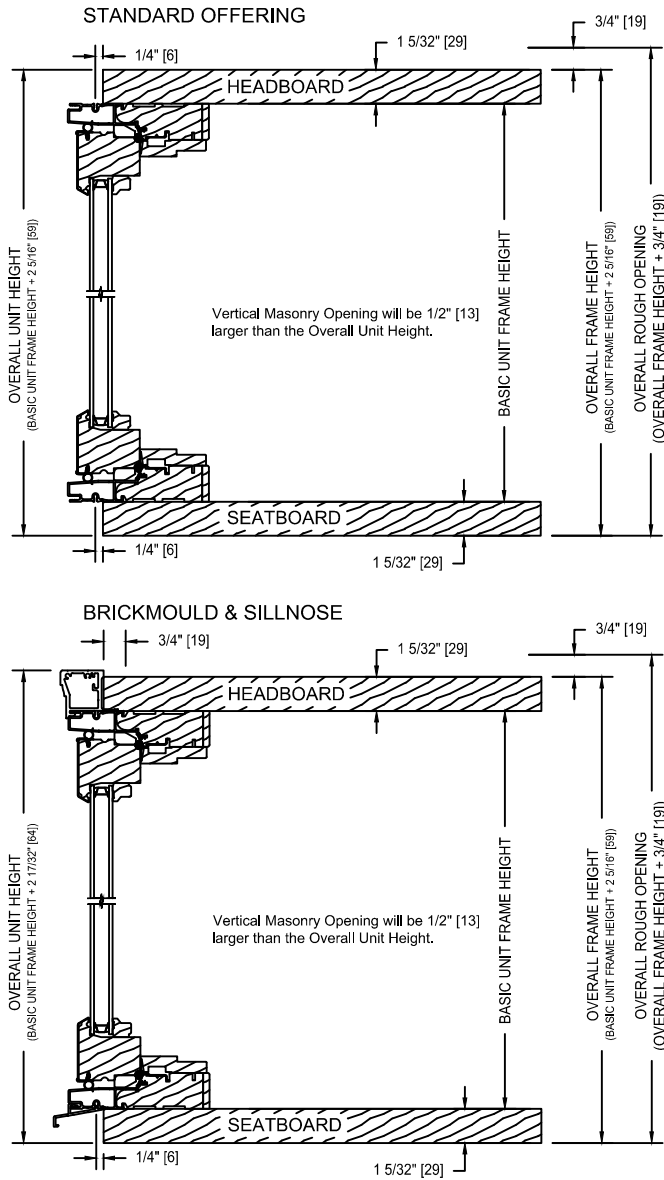
BAY & BOW WINDOW ROUGH OPENINGS

BAY & BOW WINDOW TRIM OPTIONS

The standard offering for clad bay & bow windows is 'frame only' and brickmould and sillnose. Other trim options subject to approval. Rough & Masonry openings remain consistent with all trim options.

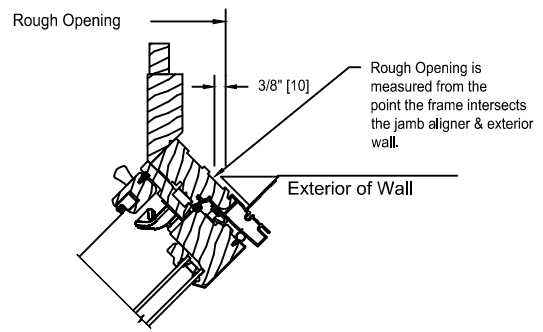
VERTICAL ROUGH OPENING

Rough Opening typical for all Units

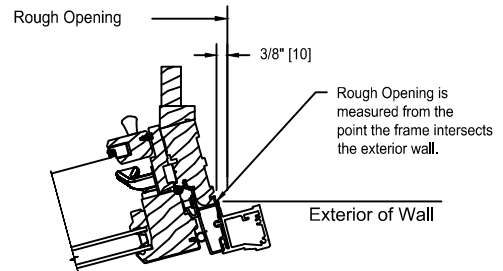


HORIZONTAL ROUGH OPENING

Rough Opening typical for all Units



30° & 45° BAYS
45° Bay Shown without trim



4, 5 & 6 WIDE BOWS
4 Wide Bow Shown with Brickmould Shown