
TABLE OF CONTENTS

General Information 11-2

Elevation Notes 11-3

Elevation Notes Transom 11-4

Light Cut Information 11-5

Clear Opening Design Data Table 1 & 2 Panel 11-6

Clear Opening Design Data Table 3 & 4 Panel 11-7

Clear Opening Layout 11-8

Unit Sizing, Rough Openings & Masonry Openings 11-9

Trim Options 11-10

Frame Options 11-11

Mullion Options 11-12

Raised Panel Options 11-13

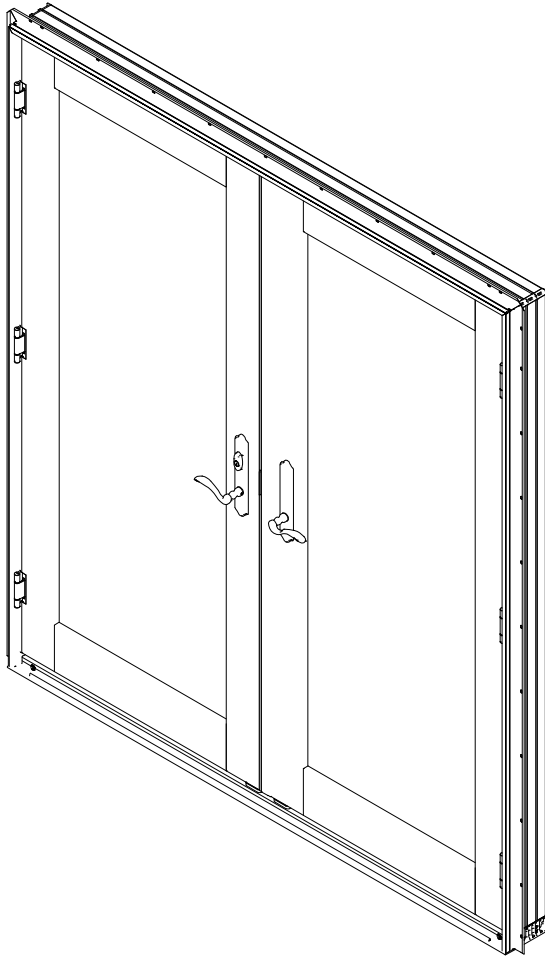
Bottom Rail Options 11-14

Stile Options 11-15

Sill Options 11-16

Section Details 11-17

GENERAL INFORMATION



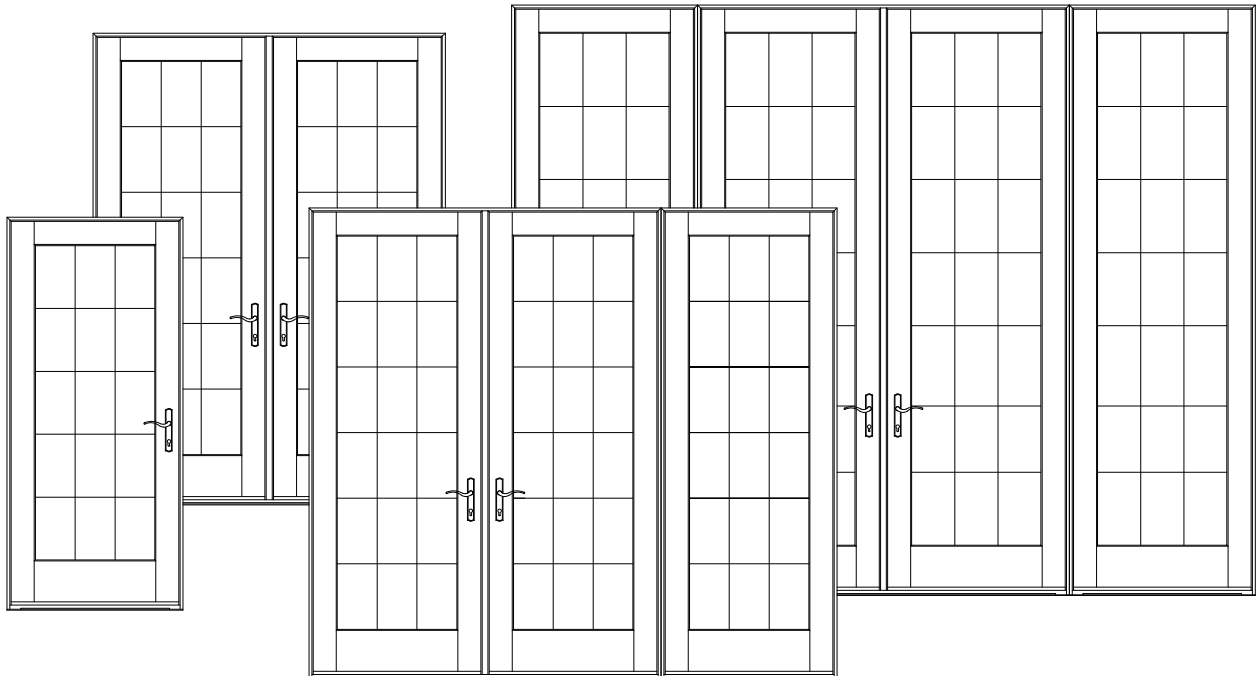
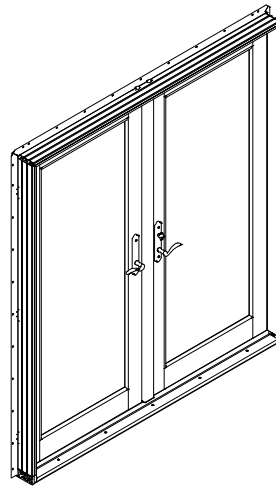
DIMENSIONAL DOORS

Siteline Clad Outswing Patio Doors may be specified as "dimensional", by adjusting the desired rough opening width or height in 1/8" increments from standard.

Siteline Clad Outswing Patio Doors are available in single, twin, triple and quad panel doors. The standard size range includes sizes specifically designed for replacement of older patio door models in existing structures, as well as a full range of "true size" products for architectural consistency. Please consult our Quick Quote software for detailed product options and availability.

OPERATION

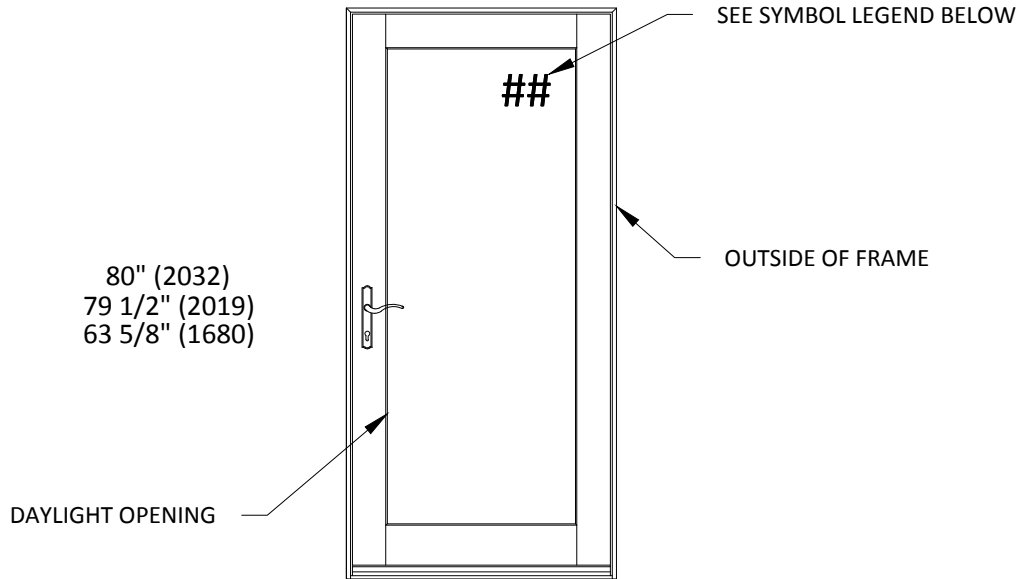
Siteline Clad Outswing Patio Doors are available in a full range of operating styles. Single panel doors may be specified as stationary (non-venting) or can operate left or right. Center swing two-or three-panel doors are available with left or right operation.



ELEVATION NOTES

ELEVATION DRAWINGS UTILIZE A LIMITED NUMBER OF PROJECTED LINES TO PRODUCE A RUDIMENTARY DRAWING INTENDED TO BE USED IN A SMALL GRAPHICAL SCALE. ELEVATIONS ARE VIEWED PERPENDICULAR FROM THE EXTERIOR OF THE STRUCTURE. IF MORE DIMENSIONS ARE NEEDED, USE THE SECTION DRAWINGS FOR MORE COMPLETE DEPICTIONS.

ROUGH OPENING 36 3/8" (924)
 FRAME SIZE 35 5/8" (905)
 DAYLIGHT OPENING 24 3/16" (614)



PRCOSW3068 — BOOK CODE

'PRCOSW' INDICATES SITELINE CLAD
OUTSWING WIDE STILE PATIO DOOR

THE LAST TWO NUMBERS INDICATE
THE FRAME CALLOUT HEIGHT (FT. IN.)

THE FIRST TWO OR THREE NUMBERS INDICATE
THE FRAME CALLOUT WIDTH IN (FT. IN.)

GENERAL SWINGING DOOR NOTES

1. SITELINE OUTSWING PATIO DOOR (PRCOSW) UNITS ARE AVAILABLE AS OPERATING OR FIXED UNITS.
2. UNIT ELEVATIONS ARE SHOWN WITHOUT EXTERIOR TRIM. UNIT SIZES & MASONRY OPENING DIMENSIONS WILL CHANGE WITH THE ADDITION OF EXTERIOR TRIM. SEE THE 'UNIT SIZING, ROUGH OPENINGS & MASONRY OPENINGS' PAGE FOR EXTERIOR TRIM EFFECTS.
3. OPERATING UNITS ARE AVAILABLE AS LEFT OR RIGHT HAND OPERATION.
4. HANDICAP SILL, 10" BOTTOM RAILS, INTERMEDIATE LOCK RAILS AND RAISED PANELS ARE AVAILABLE FOR ALL UNITS.

ELEVATION SYMBOL LEGEND

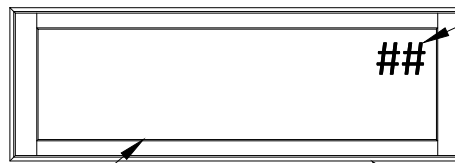
NUMBER INDICATES PERFORMANCE GRADE (PG) RATING WITH STANDARD GLAZING FOR ALL UNITS EXCLUDING ADA SILL UNITS. NUMBER INDICATES PERFORMANCE GRADE (PG) WITH LIMITED WATER RATING WITH STANDARD GLAZING FOR ADA SILL UNITS.

ELEVATION DRAWINGS UTILIZE A LIMITED NUMBER OF PROJECTED LINES TO PRODUCE A RUDIMENTARY DRAWING INTENDED TO BE USED IN A SMALL GRAPHICAL SCALE. ELEVATIONS ARE VIEWED PERPENDICULAR FROM THE EXTERIOR OF THE STRUCTURE. IF MORE DIMENSIONS ARE NEEDED, USE THE SECTION DRAWINGS FOR MORE COMPLETE DEPICTIONS.

ROUGH OPENING
FRAME SIZE
DAYLIGHT OPENING

72"(1829)
71 1/4"(1810)
59 13/16"(1519)

24 3/4"(629)
24"(610)
17 5/16"(440)



SEE SYMBOL LEGEND BELOW

DAYLIGHT OPENING

OUTSIDE OF FRAME

PRCOST6020

BOOK CODE

'PRCOST' INDICATES SITELINE CLAD
OUTSWING PATIO DOOR TRANSOM

THE LAST TWO NUMBERS INDICATE
THE FRAME CALLOUT HEIGHT (FT. IN.)

THE FIRST TWO OR THREE NUMBERS INDICATE
THE FRAME CALLOUT WIDTH IN (FT. IN.)

GENERAL SWINGING DOOR NOTES

1. SITELINE OUTSWING PATIO DOOR TRANSOMS (PRCOST) UNITS ARE AVAILABLE AS FIXED UNITS ONLY.

2. UNIT ELEVATIONS ARE SHOWN WITHOUT EXTERIOR TRIM. UNIT SIZES & MASONRY OPENING DIMENSIONS WILL CHANGE WITH THE ADDITION OF EXTERIOR TRIM. SEE THE 'UNIT SIZING, ROUGH OPENINGS & MASONRY OPENINGS' PAGE FOR EXTERIOR TRIM EFFECTS.

ELEVATION SYMBOL LEGEND

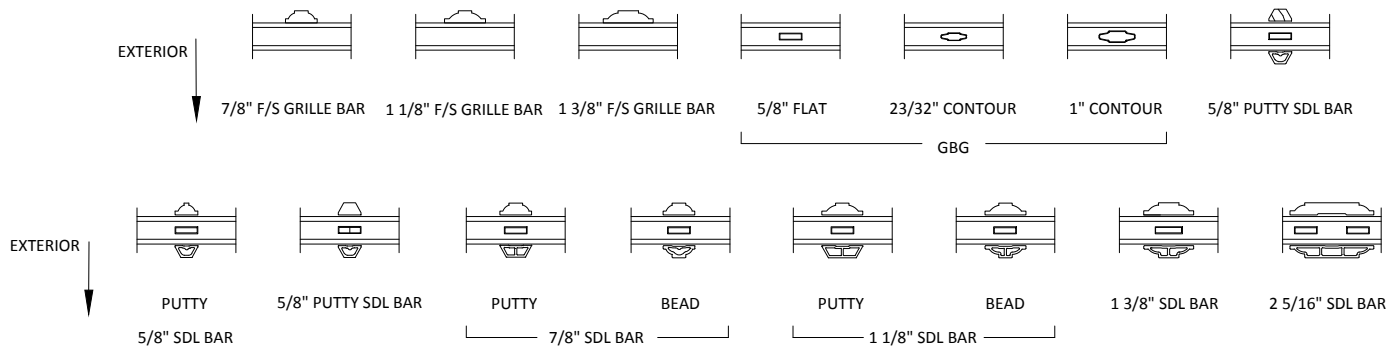
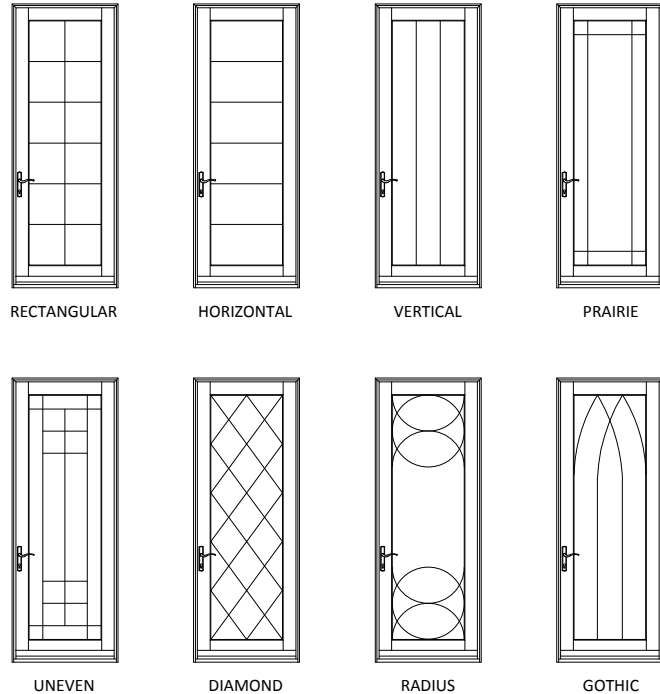
NUMBER INDICATES PERFORMANCE GRADE (PG) RATING WITH STANDARD GLAZING FOR ALL UNITS.

LIGHT CUT INFORMATION

Siteline Clad Outswing Patio Doors are available with full surround removable grilles in 7/8", 1 1/8" and 1 3/8" widths, with grilles between the glass (GBG), or with Simulated Divided Lites. Standard lite cuts are rectangular, and conform to the layouts noted in the charts on the next page. To use the chart, refer to the appropriate table by the type of patio door and type of bars or grilles the section drawings illustrate. Then simply cross reference the frame height and width to determine the standard lite cut.

LITE CUT OPTIONS

Special lite cut patterns can include a wide variety of straight line and radius patterns. The illustrations shown here represent just a few of the possibilities. Rectangular, horizontal, vertical and prairie lite patterns are available in all standard size clad swinging patio doors. Uneven, diamond, radius and gothic lite cuts are available, subject to approval. Approvals are based on the ability to fulfill the design requirement while maintaining the construction integrity of the finished product.



PRCOSW	Width Callout									
	11-2	11-4	11-6	2-0	2-6	2-8	3-0	3-2	3-6	3-8
6-8	1W 5H	1W 5H	1W 5H	2W 5H	2W 5H	3W 5H	3W 5H	3W 5H	4W 5H	4W 5H
6-11	1W 5H	1W 5H	1W 5H	2W 5H	2W 5H	3W 5H	3W 5H	3W 5H	4W 5H	4W 5H
7-0T	1W 5H	1W 5H	1W 5H	2W 5H	2W 5H	3W 5H	3W 5H	3W 5H	4W 5H	4W 5H
8-0	1W 6H	1W 6H	1W 6H	2W 6H	2W 6H	3W 6H	3W 6H	3W 6H	4W 6H	4W 6H
8-0T	1W 6H	1W 6H	1W 6H	2W 6H	2W 6H	3W 6H	3W 6H	3W 6H	4W 6H	4W 6H
9-0	1W 7H	1W 7H	1W 7H	2W 7H	2W 7H	3W 7H	3W 7H	3W 7H	4W 7H	4W 7H
10-0	1W 7H	1W 7H	1W 7H	2W 7H	2W 7H	3W 7H	3W 7H	3W 7H	4W 7H	4W 7H

**CLEAR OPENING DESIGN DATA TABLES
1 & 2 PANEL**

Single Panel									Two Panel [2]								
Unit Number Bookcode	Frame Width	Frame Height	Clear Opening Width	Clear Opening Height [1]	Vent Area Sq. Ft.	Daylight Opening Width	Daylight Opening Height	Daylight Opening Sq. Ft.	Unit Number Bookcode	Frame Width	Frame Height	Clear Opening Width [2]	Clear Opening Height [1]	Vent Area Sq. Ft.	Daylight Opening Width	Daylight Opening Height	Sq. Ft. Daylight Opening
PRCOSW2068	23.63	79.50	19.09	76.91	10.20	12.19	63.59	5.38	PRCOSW4068	47.25	79.50	40.63	76.91	21.70	24.38	63.59	10.76
PRCOSW20611	23.63	82.50	19.09	79.91	10.60	12.19	66.59	5.64	PRCOSW40611	47.25	82.50	40.63	79.91	22.54	24.38	66.59	11.27
PRCOSW2070T	23.63	86.50	19.09	83.91	11.13	12.19	70.59	5.97	PRCOSW4070T	47.25	86.50	40.63	83.91	23.67	24.38	70.59	11.95
PRCOSW2080	23.63	95.50	19.09	92.91	12.32	12.19	79.59	6.74	PRCOSW4080	47.25	95.50	40.63	92.91	26.21	24.38	79.59	13.47
PRCOSW2080T	23.63	98.50	19.09	95.91	12.72	12.19	82.59	6.99	PRCOSW4080T	47.25	98.50	40.63	95.91	27.06	24.38	82.59	13.98
PRCOSW2090	23.63	107.50	19.09	104.91	13.91	12.19	91.59	7.75	PRCOSW4090	47.25	107.50	40.63	104.91	29.60	24.38	91.59	15.50
PRCOSW20100	23.63	119.50	19.09	116.91	15.50	12.19	103.59	8.77	PRCOSW40100	47.25	119.50	40.63	116.91	32.98	24.38	103.59	17.54
PRCOSW2668	29.63	79.50	25.09	76.91	13.40	18.19	63.59	8.03	PRCOSW5068	59.25	79.50	52.63	76.91	28.11	36.38	63.59	16.06
PRCOSW26611	29.63	82.50	25.09	79.91	13.92	18.19	66.59	8.41	PRCOSW50611	59.25	82.50	52.63	79.91	29.20	36.38	66.59	16.82
PRCOSW2670T	29.63	86.50	25.09	83.91	14.62	18.19	70.59	8.92	PRCOSW5070T	59.25	86.50	52.63	83.91	30.66	36.38	70.59	17.83
PRCOSW2680	29.63	95.50	25.09	92.91	16.19	18.19	79.59	10.05	PRCOSW5080	59.25	95.50	52.63	92.91	33.95	36.38	79.59	20.11
PRCOSW2680T	29.63	98.50	25.09	95.91	16.71	18.19	82.59	10.43	PRCOSW5080T	59.25	98.50	52.63	95.91	35.05	36.38	82.59	20.86
PRCOSW2690	29.63	107.50	25.09	104.91	18.28	18.19	91.59	11.57	PRCOSW5090	59.25	107.50	52.63	104.91	38.34	36.38	91.59	23.14
PRCOSW26100	29.63	119.50	25.09	116.91	20.37	18.19	103.59	13.08	PRCOSW50100	59.25	119.50	52.63	116.91	42.72	36.38	103.59	26.17
PRCOSW2868	31.63	79.50	27.09	76.91	14.47	20.19	63.59	8.92	PRCOSW5468	63.25	79.50	56.63	76.91	30.24	40.38	63.59	17.83
PRCOSW28611	31.63	82.50	27.09	79.91	15.03	20.19	66.59	9.34	PRCOSW54611	63.25	82.50	56.63	79.91	31.42	40.38	66.59	18.67
PRCOSW2870T	31.63	86.50	27.09	83.91	15.79	20.19	70.59	9.90	PRCOSW5470T	63.25	86.50	56.63	83.91	32.99	40.38	70.59	19.79
PRCOSW2880	31.63	95.50	27.09	92.91	17.48	20.19	79.59	11.16	PRCOSW5480	63.25	95.50	56.63	92.91	36.53	40.38	79.59	22.32
PRCOSW2880T	31.63	98.50	27.09	95.91	18.04	20.19	82.59	11.58	PRCOSW5480T	63.25	98.50	56.63	95.91	37.71	40.38	82.59	23.16
PRCOSW2890	31.63	107.50	27.09	104.91	19.74	20.19	91.59	12.84	PRCOSW5490	63.25	107.50	56.63	104.91	41.25	40.38	91.59	25.68
PRCOSW28100	31.63	119.50	27.09	116.91	22.00	20.19	103.59	14.52	PRCOSW54100	63.25	119.50	56.63	116.91	45.97	40.38	103.59	29.05
PRCOSW3068	35.63	79.50	31.09	76.91	16.61	24.19	63.59	10.68	PRCOSW6068	71.25	79.50	64.63	76.91	34.51	48.38	63.59	21.36
PRCOSW30611	35.63	82.50	31.09	79.91	17.25	24.19	66.59	11.19	PRCOSW60611	71.25	82.50	64.63	79.91	35.86	48.38	66.59	22.37
PRCOSW3070T	35.63	86.50	31.09	83.91	18.12	24.19	70.59	11.86	PRCOSW6070T	71.25	86.50	64.63	83.91	37.66	48.38	70.59	23.72
PRCOSW3080	35.63	95.50	31.09	92.91	20.06	24.19	79.59	13.37	PRCOSW6080	71.25	95.50	64.63	92.91	41.69	48.38	79.59	26.74
PRCOSW3080T	35.63	98.50	31.09	95.91	20.71	24.19	82.59	13.87	PRCOSW6080T	71.25	98.50	64.63	95.91	43.04	48.38	82.59	27.75
PRCOSW3090	35.63	107.50	31.09	104.91	22.65	24.19	91.59	15.38	PRCOSW6090	71.25	107.50	64.63	104.91	47.08	48.38	91.59	30.77
PRCOSW30100	35.63	119.50	31.09	116.91	25.24	24.19	103.59	17.40	PRCOSW60100	71.25	119.50	64.63	116.91	52.47	48.38	103.59	34.80
PRCOSW3268	37.63	79.50	33.09	76.91	17.67	26.19	63.59	11.57	PRCOSW6468	75.25	79.50	68.63	76.91	36.65	52.38	63.59	23.13
PRCOSW32611	37.63	82.50	33.09	79.91	18.36	26.19	66.59	12.11	PRCOSW64611	75.25	82.50	68.63	79.91	38.08	52.38	66.59	24.22
PRCOSW3270T	37.63	86.50	33.09	83.91	19.28	26.19	70.59	12.84	PRCOSW6470T	75.25	86.50	68.63	83.91	39.99	52.38	70.59	25.68
PRCOSW3280	37.63	95.50	33.09	92.91	21.35	26.19	79.59	14.47	PRCOSW6480	75.25	95.50	68.63	92.91	44.28	52.38	79.59	28.95
PRCOSW3280T	37.63	98.50	33.09	95.91	22.04	26.19	82.59	15.02	PRCOSW6480T	75.25	98.50	68.63	95.91	45.71	52.38	82.59	30.04
PRCOSW3290	37.63	107.50	33.09	104.91	24.11	26.19	91.59	16.66	PRCOSW6490	75.25	107.50	68.63	104.91	49.99	52.38	91.59	33.31
PRCOSW32100	37.63	119.50	33.09	116.91	26.87	26.19	103.59	18.84	PRCOSW64100	75.25	119.50	68.63	116.91	55.71	52.38	103.59	37.68
PRCOSW3668	41.63	79.50	37.09	76.91	19.81	30.19	63.59	13.33	PRCOSW7068	83.25	79.50	76.63	76.91	40.92	60.38	63.59	26.66
PRCOSW36611	41.63	82.50	37.09	79.91	20.58	30.19	66.59	13.96	PRCOSW70611	83.25	82.50	76.63	79.91	42.52	60.38	66.59	27.92
PRCOSW3670T	41.63	86.50	37.09	83.91	21.61	30.19	70.59	14.80	PRCOSW7070T	83.25	86.50	76.63	83.91	44.65	60.38	70.59	29.60
PRCOSW3680	41.63	95.50	37.09	92.91	23.93	30.19	79.59	16.69	PRCOSW7080	83.25	95.50	76.63	92.91	49.44	60.38	79.59	33.37
PRCOSW3680T	41.63	98.50	37.09	95.91	24.71	30.19	82.59	17.31	PRCOSW7080T	83.25	98.50	76.63	95.91	51.03	60.38	82.59	34.63
PRCOSW3690	41.63	107.50	37.09	104.91	27.02	30.19	91.59	19.20	PRCOSW7090	83.25	107.50	76.63	104.91	55.82	60.38	91.59	38.40
PRCOSW36100	41.63	119.50	37.09	116.91	30.11	30.19	103.59	21.72	PRCOSW70100	83.25	119.50	76.63	116.91	62.21	60.38	103.59	43.43
PRCOSW3868	43.63	79.50	39.09	76.91	20.88	32.19	63.59	14.21	PRCOSW7468	87.25	79.50	80.63	76.91	43.06	64.38	63.59	28.43
PRCOSW38611	43.63	82.50	39.09	79.91	21.69	32.19	66.59	14.89	PRCOSW74611	87.25	82.50	80.63	79.91	44.74	64.38	66.59	29.77
PRCOSW3870T	43.63	86.50	39.09	83.91	22.78	32.19	70.59	15.78	PRCOSW7470T	87.25	86.50	80.63	83.91	46.98	64.38	70.59	31.56
PRCOSW3880	43.63	95.50	39.09	92.91	25.22	32.19	79.59	17.79	PRCOSW7480	87.25	95.50	80.63	92.91	52.02	64.38	79.59	35.58
PRCOSW3880T	43.63	98.50	39.09	95.91	26.04	32.19	82.59	18.46	PRCOSW7480T	87.25	98.50	80.63	95.91	53.70	64.38	82.59	36.92
PRCOSW3890	43.63	107.50	39.09	104.91	28.48	32.19	91.59	20.47	PRCOSW7490	87.25	107.50	80.63	95.91	53.70	64.38	82.59	36.92
PRCOSW38100	43.63	119.50	39.09	116.91	31.74	32.19	103.59	23.16	PRCOSW74100	87.25	119.50	80.63	95.91	53.70	64.38	82.59	36.92

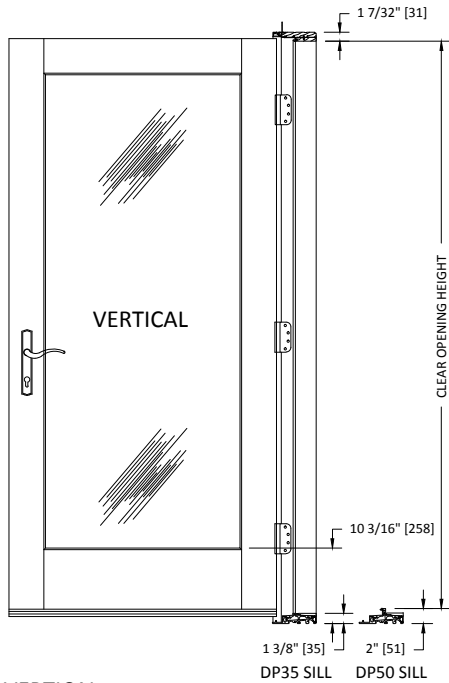
Notes:
 [1] Assumes PG35 Sill, subtract 5/8" for PG50 Sill
 [2] Assumes a French Door configuration
 [3] Assumes a configuration with a French Door and a single flanking stationary panel
 [4] Assumes a configuration with a French Door and two flanking stationary panels

CLEAR OPENING DESIGN DATA TABLES
3 & 4 PANEL

Three Panel [3]									Four Panel [4]								
Unit Number Bookcode	Frame Width	Frame Height	Clear Opening Width [3]	Clear Opening Height [1]	Vent Area Sq. Ft.	Daylight Opening Width	Daylight Opening Height	Sq. Ft. Daylight Opening	Unit Number Bookcode	Frame Width	Frame Height	Clear Opening Width [4]	Clear Opening Height [1]	Vent Area Sq. Ft.	Daylight Opening Width	Daylight Opening Height	Sq. Ft. Daylight Opening
PRCOSW6068-3	70.88	79.50	40.63	76.91	21.70	36.56	63.59	16.15	PRCOSW8068-4	94.50	79.50	40.63	76.91	21.70	48.75	63.59	21.53
PRCOSW60611-3	70.88	82.50	40.63	79.91	22.54	36.56	66.59	16.91	PRCOSW80611-4	94.50	82.50	40.63	79.91	22.54	48.75	66.59	22.54
PRCOSW6070T-3	70.88	86.50	40.63	83.91	23.67	36.56	70.59	17.92	PRCOSW8070T-4	94.50	86.50	40.63	83.91	23.67	48.75	70.59	23.90
PRCOSW6080-3	70.88	95.50	40.63	92.91	26.21	36.56	79.59	20.21	PRCOSW8080-4	94.50	95.50	40.63	92.91	26.21	48.75	79.59	26.95
PRCOSW6080T-3	70.88	98.50	40.63	95.91	27.06	36.56	82.59	20.97	PRCOSW8080T-4	94.50	98.50	40.63	95.91	27.06	48.75	82.59	27.96
PRCOSW6090-3	70.88	107.50	40.63	104.91	29.60	36.56	91.59	23.26	PRCOSW8090-4	94.50	107.50	40.63	104.91	29.60	48.75	91.59	31.01
PRCOSW60100-3	70.88	119.50	40.63	116.91	32.98	36.56	103.59	26.30	PRCOSW80100-4	94.50	119.50	40.63	116.91	32.98	48.75	103.59	35.07
PRCOSW7668-3	88.88	79.50	52.63	76.91	28.11	54.56	63.59	24.10	PRCOSW10068-4	118.50	79.50	52.63	76.91	28.11	72.75	63.59	32.13
PRCOSW76611-3	88.88	82.50	52.63	79.91	29.20	54.56	66.59	25.23	PRCOSW100611-4	118.50	82.50	52.63	79.91	29.20	72.75	66.59	33.64
PRCOSW7670T-3	88.88	86.50	52.63	83.91	30.66	54.56	70.59	26.75	PRCOSW10070T-4	118.50	86.50	52.63	83.91	30.66	72.75	70.59	35.66
PRCOSW7680-3	88.88	95.50	52.63	92.91	33.95	54.56	79.59	30.16	PRCOSW10080-4	118.50	95.50	52.63	92.91	33.95	72.75	79.59	40.21
PRCOSW7680T-3	88.88	98.50	52.63	95.91	35.05	54.56	82.59	31.30	PRCOSW10080T-4	118.50	98.50	52.63	95.91	35.05	72.75	82.59	41.73
PRCOSW7690-3	88.88	107.50	52.63	104.91	38.34	54.56	91.59	34.71	PRCOSW10090-4	118.50	107.50	52.63	104.91	38.34	72.75	91.59	46.27
PRCOSW76100-3	88.88	119.50	52.63	116.91	42.72	54.56	103.59	39.25	PRCOSW100100-4	118.50	119.50	52.63	116.91	42.72	72.75	103.59	52.34
PRCOSW8068-3	94.88	79.50	56.63	76.91	30.24	60.56	63.59	26.75	PRCOSW10068-4	126.50	79.50	56.63	76.91	30.24	80.75	63.59	35.66
PRCOSW80611-3	94.88	82.50	56.63	79.91	31.42	60.56	66.59	28.01	PRCOSW100611-4	126.50	82.50	56.63	79.91	31.42	80.75	66.59	37.34
PRCOSW8070T-3	94.88	86.50	56.63	83.91	32.99	60.56	70.59	29.69	PRCOSW10070T-4	126.50	86.50	56.63	83.91	32.99	80.75	70.59	39.59
PRCOSW8080-3	94.88	95.50	56.63	92.91	36.53	60.56	79.59	33.47	PRCOSW10080-4	126.50	95.50	56.63	92.91	36.53	80.75	79.59	44.63
PRCOSW8080T-3	94.88	98.50	56.63	95.91	37.71	60.56	82.59	34.74	PRCOSW10080T-4	126.50	98.50	56.63	95.91	37.71	80.75	82.59	46.32
PRCOSW8090-3	94.88	107.50	56.63	104.91	41.25	60.56	91.59	38.52	PRCOSW10090-4	126.50	107.50	56.63	104.91	41.25	80.75	91.59	51.36
PRCOSW80100-3	94.88	119.50	56.63	116.91	45.97	60.56	103.59	43.57	PRCOSW100100-4	126.50	119.50	56.63	116.91	45.97	80.75	103.59	58.09
PRCOSW9068-3	106.88	79.50	64.63	76.91	34.51	72.56	63.59	32.05	PRCOSW12068-4	142.50	79.50	64.63	76.91	34.51	96.75	63.59	42.73
PRCOSW90611-3	106.88	82.50	64.63	79.91	35.86	72.56	66.59	33.56	PRCOSW120611-4	142.50	82.50	64.63	79.91	35.86	96.75	66.59	44.74
PRCOSW9070T-3	106.88	86.50	64.63	83.91	37.66	72.56	70.59	35.57	PRCOSW12070T-4	142.50	86.50	64.63	83.91	37.66	96.75	70.59	47.43
PRCOSW9080-3	106.88	95.50	64.63	92.91	41.69	72.56	79.59	40.11	PRCOSW12080-4	142.50	95.50	64.63	92.91	41.69	96.75	79.59	53.48
PRCOSW9080T-3	106.88	98.50	64.63	95.91	43.04	72.56	82.59	41.62	PRCOSW12080T-4	142.50	98.50	64.63	95.91	43.04	96.75	82.59	55.49
PRCOSW9090-3	106.88	107.50	64.63	104.91	47.08	72.56	91.59	46.15	PRCOSW12090-4	142.50	107.50	64.63	104.91	47.08	96.75	91.59	61.54
PRCOSW90100-3	106.88	119.50	64.63	116.91	52.47	72.56	103.59	52.20	PRCOSW120100-4	142.50	119.50	64.63	116.91	52.47	96.75	103.59	69.60
PRCOSW9668-3	112.88	79.50	68.63	76.91	36.65	78.56	63.59	34.70	PRCOSW12068-4	150.50	79.50	68.63	76.91	36.65	104.75	63.59	46.26
PRCOSW96611-3	112.88	82.50	68.63	79.91	38.08	78.56	66.59	36.33	PRCOSW120611-4	150.50	82.50	68.63	79.91	38.08	104.75	66.59	48.44
PRCOSW9670T-3	112.88	86.50	68.63	83.91	39.99	78.56	70.59	38.51	PRCOSW12070T-4	150.50	86.50	68.63	83.91	39.99	104.75	70.59	51.35
PRCOSW9680-3	112.88	95.50	68.63	92.91	44.28	78.56	79.59	43.42	PRCOSW12080-4	150.50	95.50	68.63	92.91	44.28	104.75	79.59	57.90
PRCOSW9680T-3	112.88	98.50	68.63	95.91	45.71	78.56	82.59	45.06	PRCOSW12080T-4	150.50	98.50	68.63	95.91	45.71	104.75	82.59	60.08
PRCOSW9690-3	112.88	107.50	68.63	104.91	49.99	78.56	91.59	49.97	PRCOSW12090-4	150.50	107.50	68.63	104.91	49.99	104.75	91.59	66.63
PRCOSW96100-3	112.88	119.50	68.63	116.91	55.71	78.56	103.59	56.52	PRCOSW120100-4	150.50	119.50	68.63	116.91	55.71	104.75	103.59	75.36
PRCOSW10668-3	124.88	79.50	76.63	76.91	40.92	90.56	63.59	39.99	PRCOSW14068-4	166.50	79.50	76.63	76.91	40.92	120.75	63.59	53.33
PRCOSW106611-3	124.88	82.50	76.63	79.91	42.52	90.56	66.59	41.88	PRCOSW140611-4	166.50	82.50	76.63	79.91	42.52	120.75	66.59	55.84
PRCOSW10670T-3	124.88	86.50	76.63	83.91	44.65	90.56	70.59	44.40	PRCOSW14070T-4	166.50	86.50	76.63	83.91	44.65	120.75	70.59	59.20
PRCOSW10680-3	124.88	95.50	76.63	92.91	49.44	90.56	79.59	50.06	PRCOSW14080-4	166.50	95.50	76.63	92.91	49.44	120.75	79.59	66.74
PRCOSW10680T-3	124.88	98.50	76.63	95.91	51.03	90.56	82.59	51.94	PRCOSW14080T-4	166.50	98.50	76.63	95.91	51.03	120.75	82.59	69.26
PRCOSW10690-3	124.88	107.50	76.63	104.91	55.82	90.56	91.59	57.60	PRCOSW14090-4	166.50	107.50	76.63	104.91	55.82	120.75	91.59	76.81
PRCOSW106100-3	124.88	119.50	76.63	116.91	62.21	90.56	103.59	65.15	PRCOSW140100-4	166.50	119.50	76.63	116.91	62.21	120.75	103.59	86.87
PRCOSW11068-3	130.88	79.50	80.63	76.91	43.06	96.56	63.59	42.64	PRCOSW14668-4	174.50	79.50	80.63	76.91	43.06	128.75	63.59	56.86
PRCOSW110611-3	130.88	82.50	80.63	79.91	44.74	96.56	66.59	44.66	PRCOSW146611-4	174.50	82.50	80.63	79.91	44.74	128.75	66.59	59.54
PRCOSW11070T-3	130.88	86.50	80.63	83.91	46.98	96.56	70.59	47.34	PRCOSW14670T-4	174.50	86.50	80.63	83.91	46.98	128.75	70.59	63.12
PRCOSW11080-3	130.88	95.50	80.63	92.91	52.02	96.56	79.59	53.37	PRCOSW14680-4	174.50	95.50	80.63	92.91	52.02	128.75	79.59	71.16
PRCOSW11080T-3	130.88	98.50	80.63	95.91	53.70	96.56	82.59	55.39	PRCOSW14680T-4	174.50	98.50	80.63	95.91	53.70	128.75	82.59	73.85
PRCOSW11090-3	130.88	107.50	80.63	95.91	53.70	96.56	82.59	55.39	PRCOSW14690-4	174.50	107.50	80.63	95.91	53.70	128.75	82.59	73.85
PRCOSW110100-3	130.88	119.50	80.63	95.91	53.70	96.56	82.59	55.39	PRCOSW146100-4	174.50	119.50	80.63	95.91	53.70	128.75	82.59	73.85

Notes:
 [1] Assumes PG35 Sill, subtract 5/8" for PG50 Sill
 [2] Assumes a French Door configuration
 [3] Assumes a configuration with a French Door and a single flanking stationary panel
 [4] Assumes a configuration with a French Door and two flanking stationary panels

CLEAR OPENING LAYOUT



VERTICAL

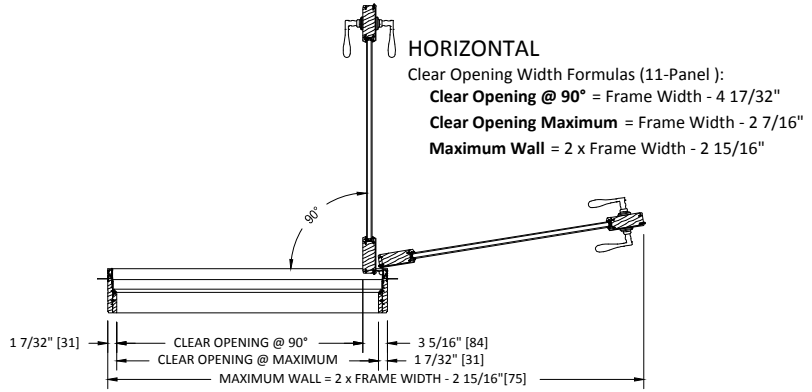
Clear Opening Height Formulas:

With DP35 Sill

Clear Opening Height = Frame Height - 2 21/32"

With DP50 Sill

Clear Opening Height = Frame Height - 3 7/32"



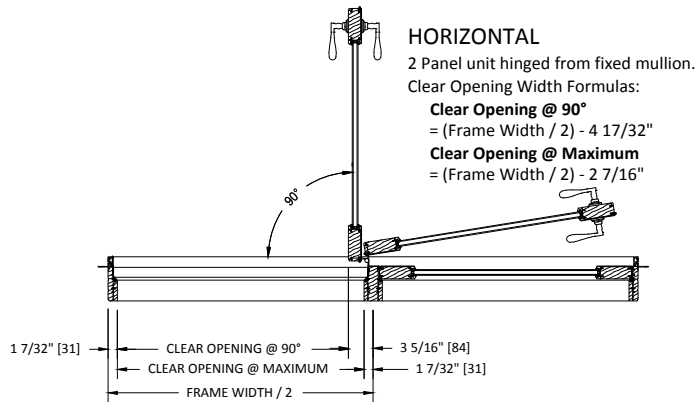
HORIZONTAL

Clear Opening Width Formulas (11-Panel):

Clear Opening @ 90° = Frame Width - 4 17/32"

Clear Opening Maximum = Frame Width - 2 7/16"

Maximum Wall = 2 x Frame Width - 2 15/16"



HORIZONTAL

2 Panel unit hinged from fixed mullion.

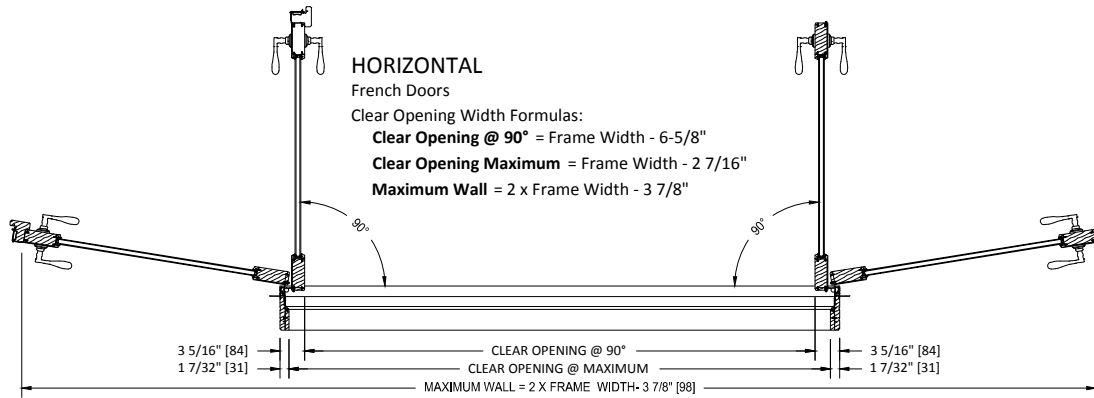
Clear Opening Width Formulas:

Clear Opening @ 90°

= (Frame Width / 2) - 4 17/32"

Clear Opening @ Maximum

= (Frame Width / 2) - 2 7/16"



HORIZONTAL

French Doors

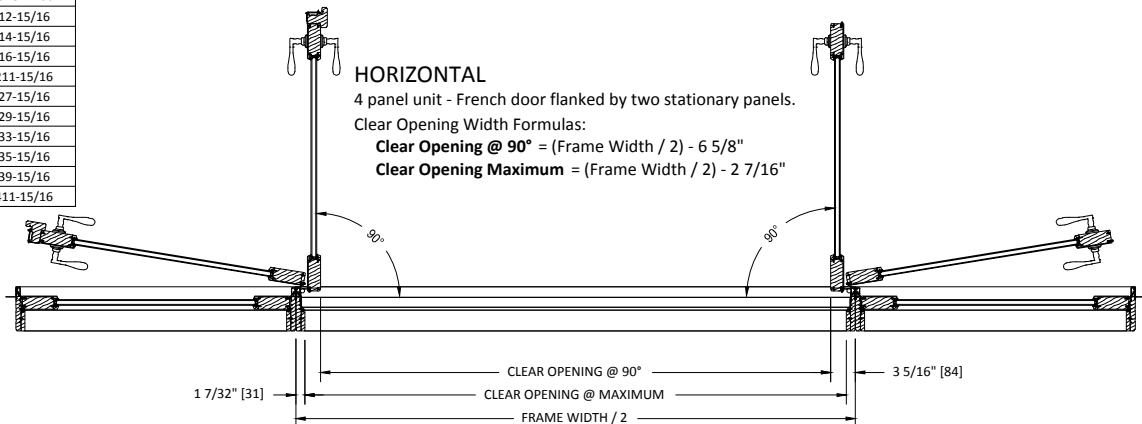
Clear Opening Width Formulas:

Clear Opening @ 90° = Frame Width - 6 5/8"

Clear Opening Maximum = Frame Width - 2 7/16"

Maximum Wall = 2 x Frame Width - 3 7/8"

Panel Callout	Panel Width
11-2	12-15/16
11-4	14-15/16
11-6	16-15/16
2-0	21-15/16
2-6	27-15/16
2-8	29-15/16
3-0	33-15/16
3-2	35-15/16
3-6	39-15/16
3-8	41-15/16



HORIZONTAL

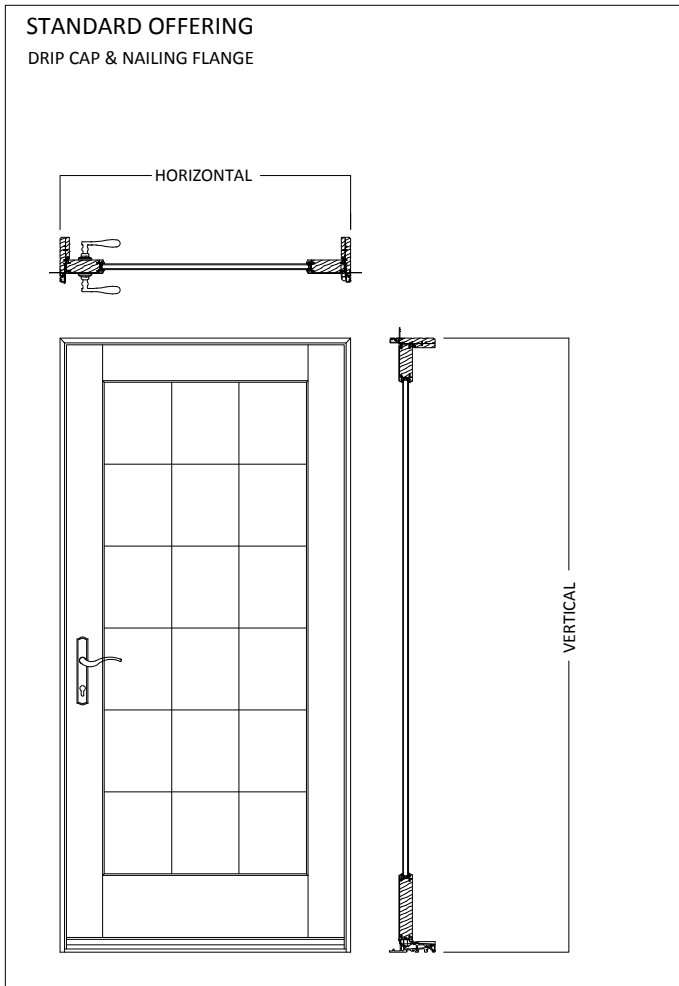
4 panel unit - French door flanked by two stationary panels.

Clear Opening Width Formulas:

Clear Opening @ 90° = (Frame Width / 2) - 6 5/8"

Clear Opening Maximum = (Frame Width / 2) - 2 7/16"

UNIT SIZING
ROUGH OPENINGS AND MASONRY OPENINGS

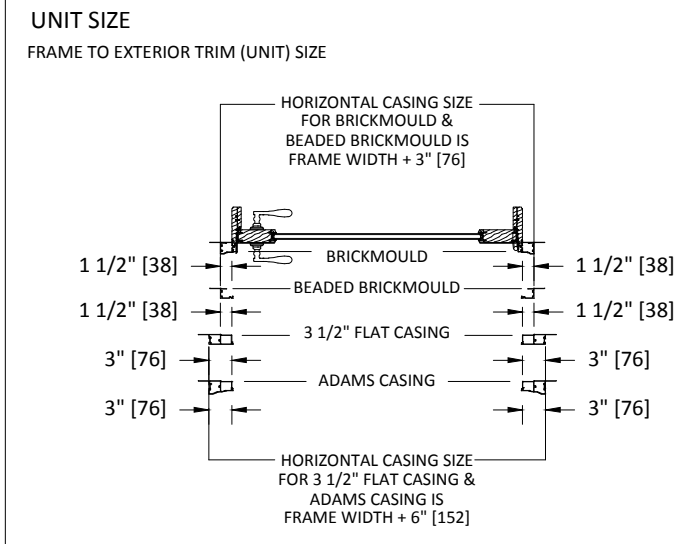
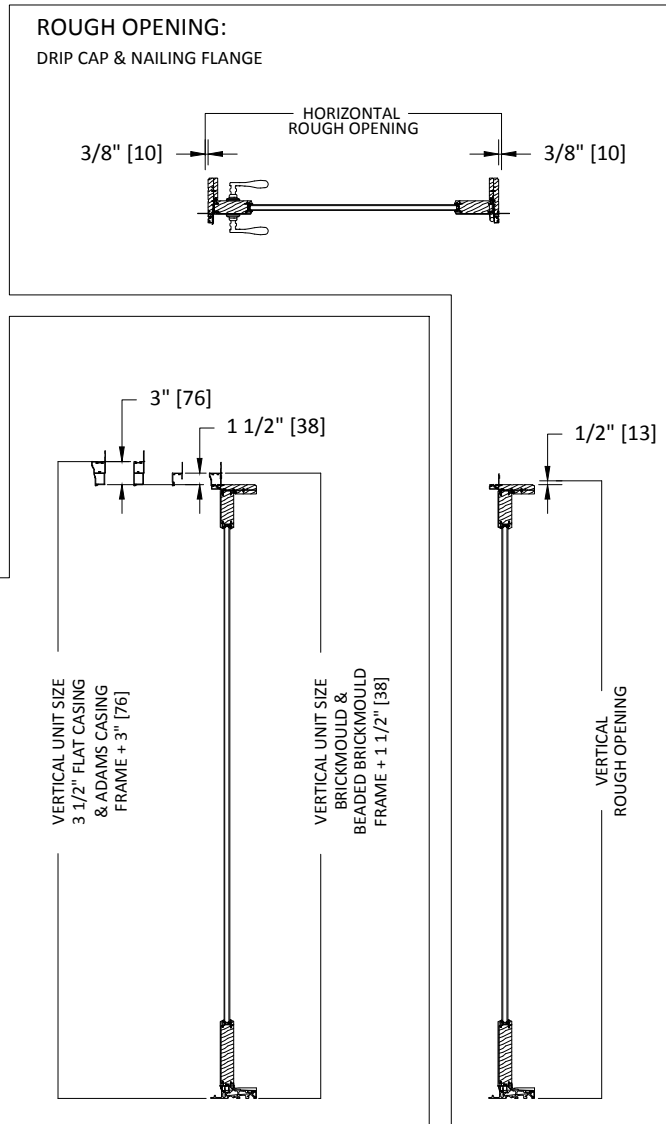


GENERAL NOTES:

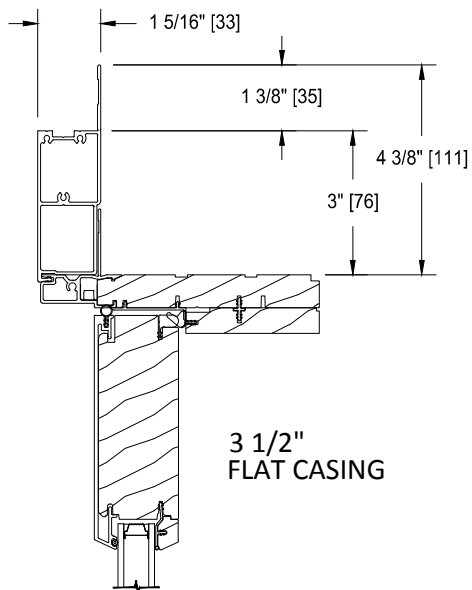
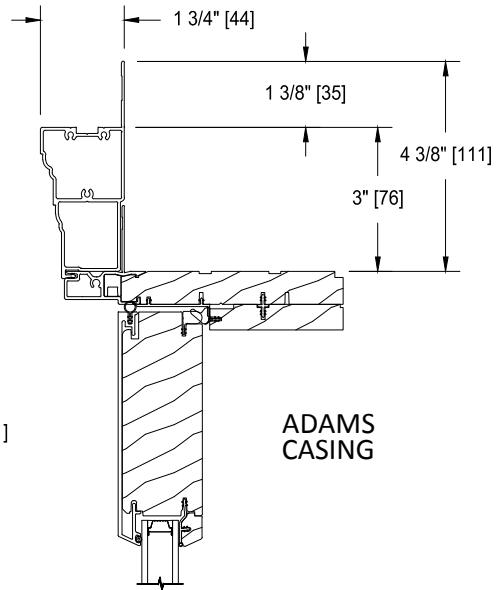
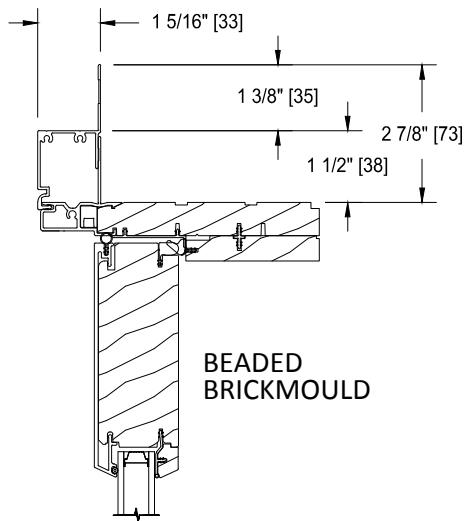
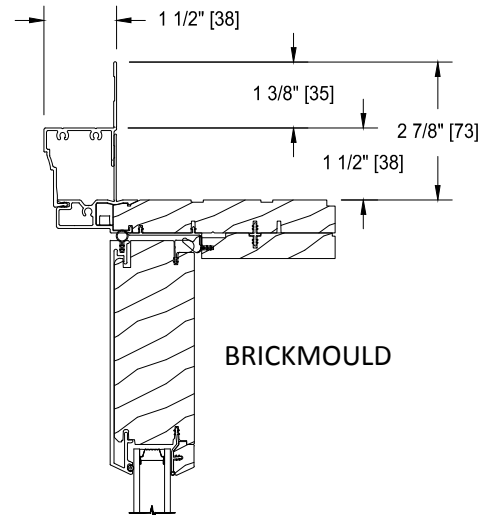
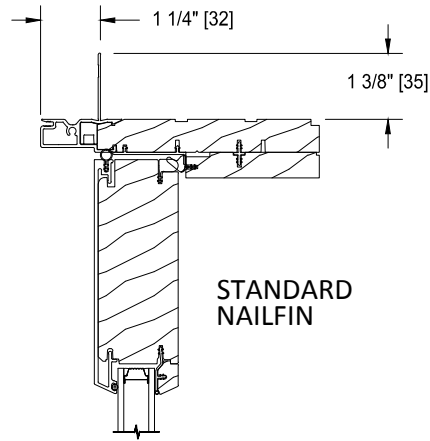
ROUGH OPENING HEIGHT IS ALWAYS
FRAME SIZE + 1/2"

ROUGH OPENING WIDTH IS ALWAYS
FRAME SIZE + 3/4"

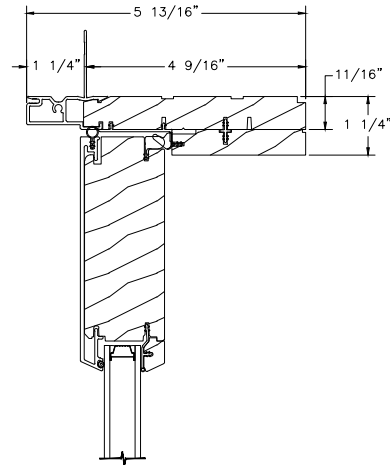
MASONRY OPENING:
MASONRY OPENING IS ALWAYS 1/2" OVER
THE UNIT SIZE OF THE DOOR



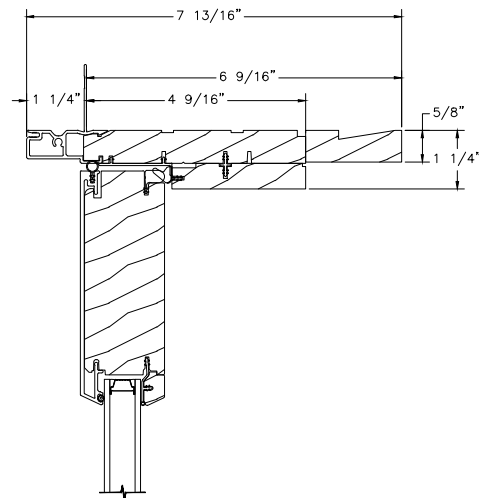
TRIM OPTIONS



FRAME OPTIONS

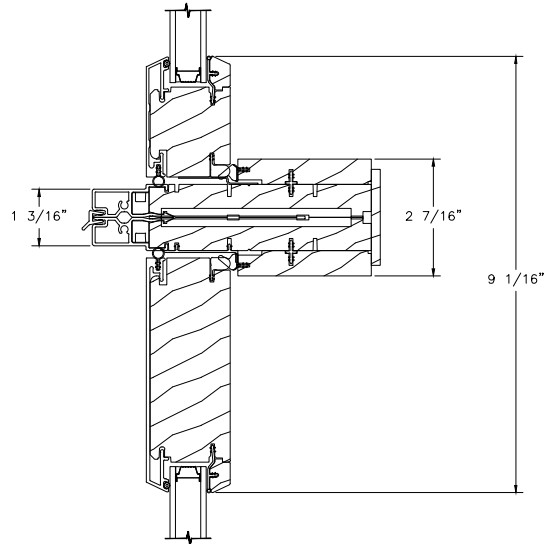


4 9/16" FRAME OPTION

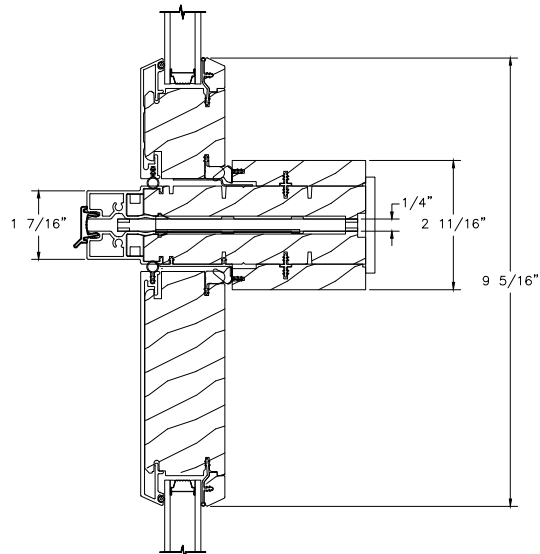


6 9/16" FRAME OPTION

MULLION OPTIONS

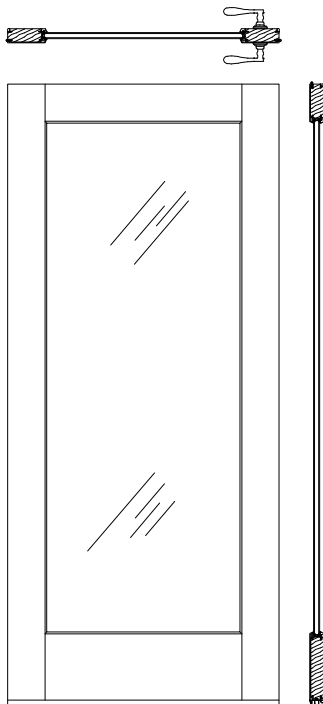


**VERTICAL MULLION SECTION
TRANSOM OVER WIDE STILE UNIT**

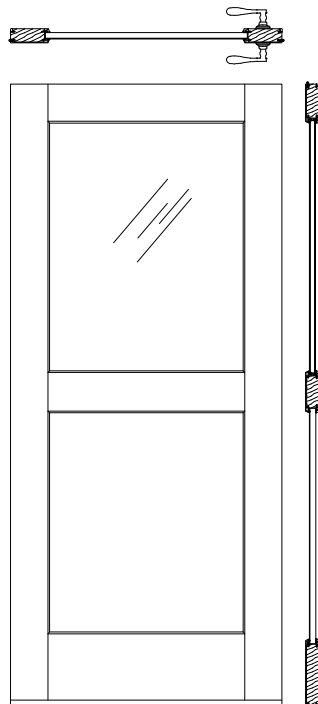


**VERTICAL MULLION SECTION
TRANSOM OVER WIDE STILE UNIT
WITH 1/4" REINFORCEMENT**

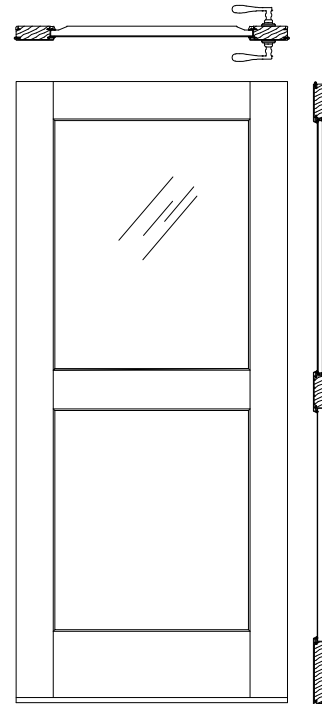
RAISED PANEL OPTIONS



STANDARD GLAZED PANEL

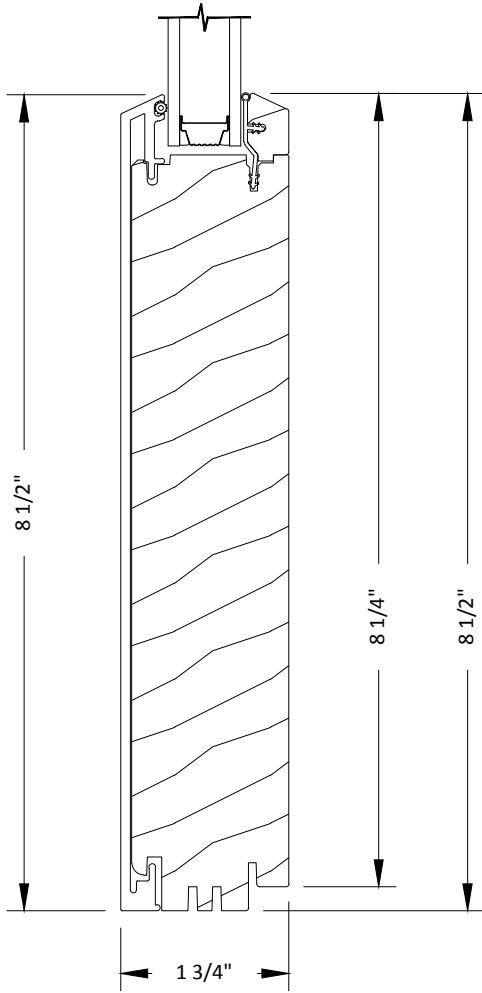


OPTION 1
INTERIOR FLAT PANEL -
EXTERIOR FLAT PANEL

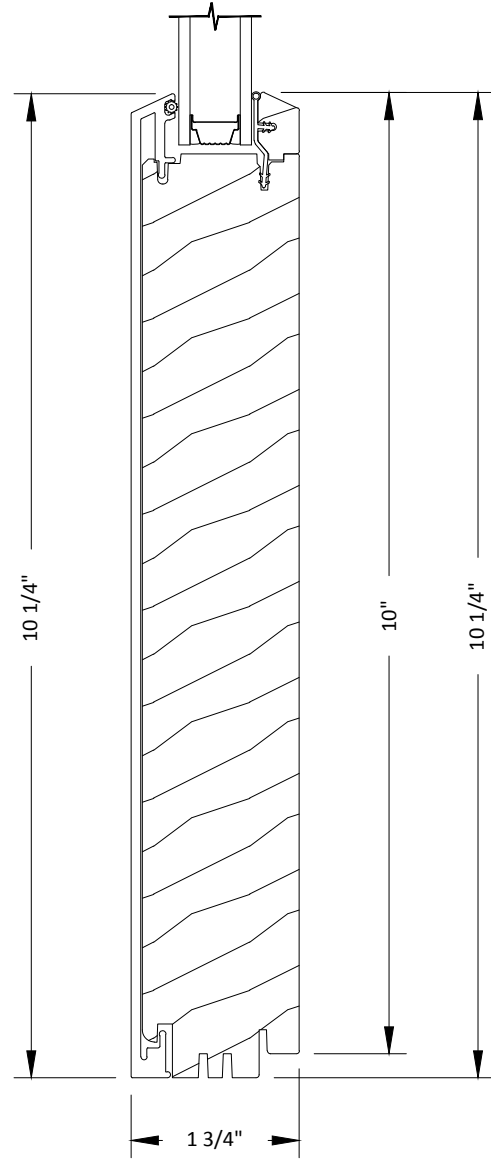


OPTION 2
INTERIOR RAISED PANEL -
EXTERIOR FLAT PANEL

BOTTOM RAIL OPTIONS

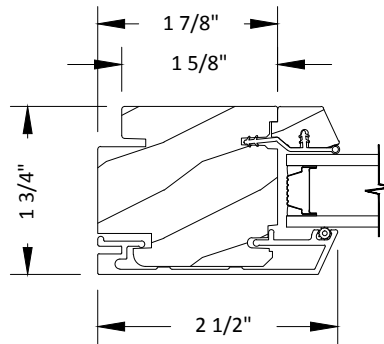


8 1/4" BOTTOM RAIL

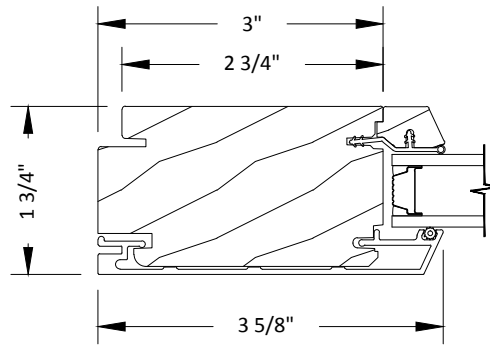


10" BOTTOM RAIL

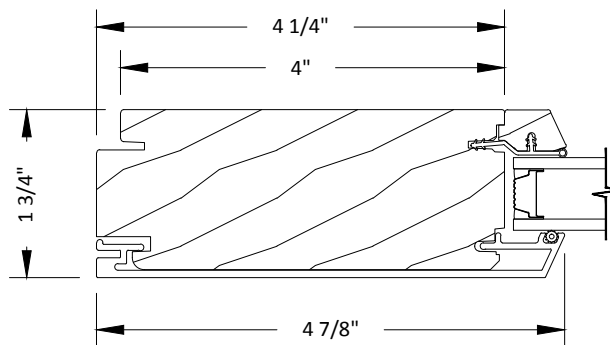
STILE OPTIONS



SIDELITE STILE

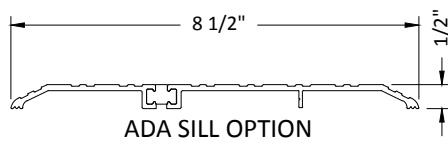
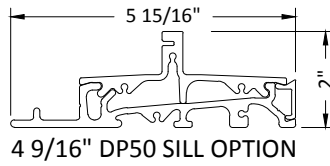
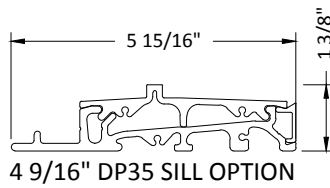


NARROW STILE

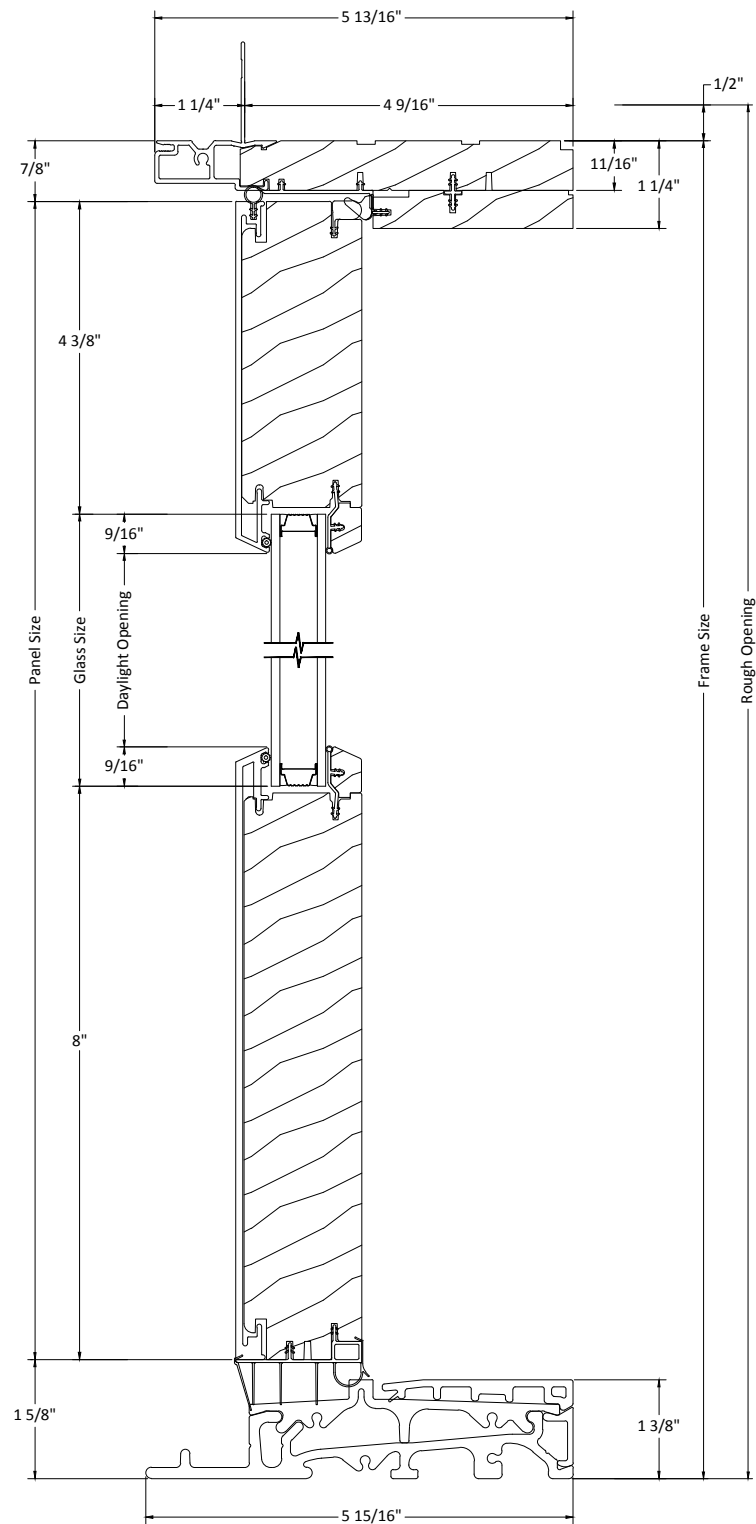


WIDE STILE

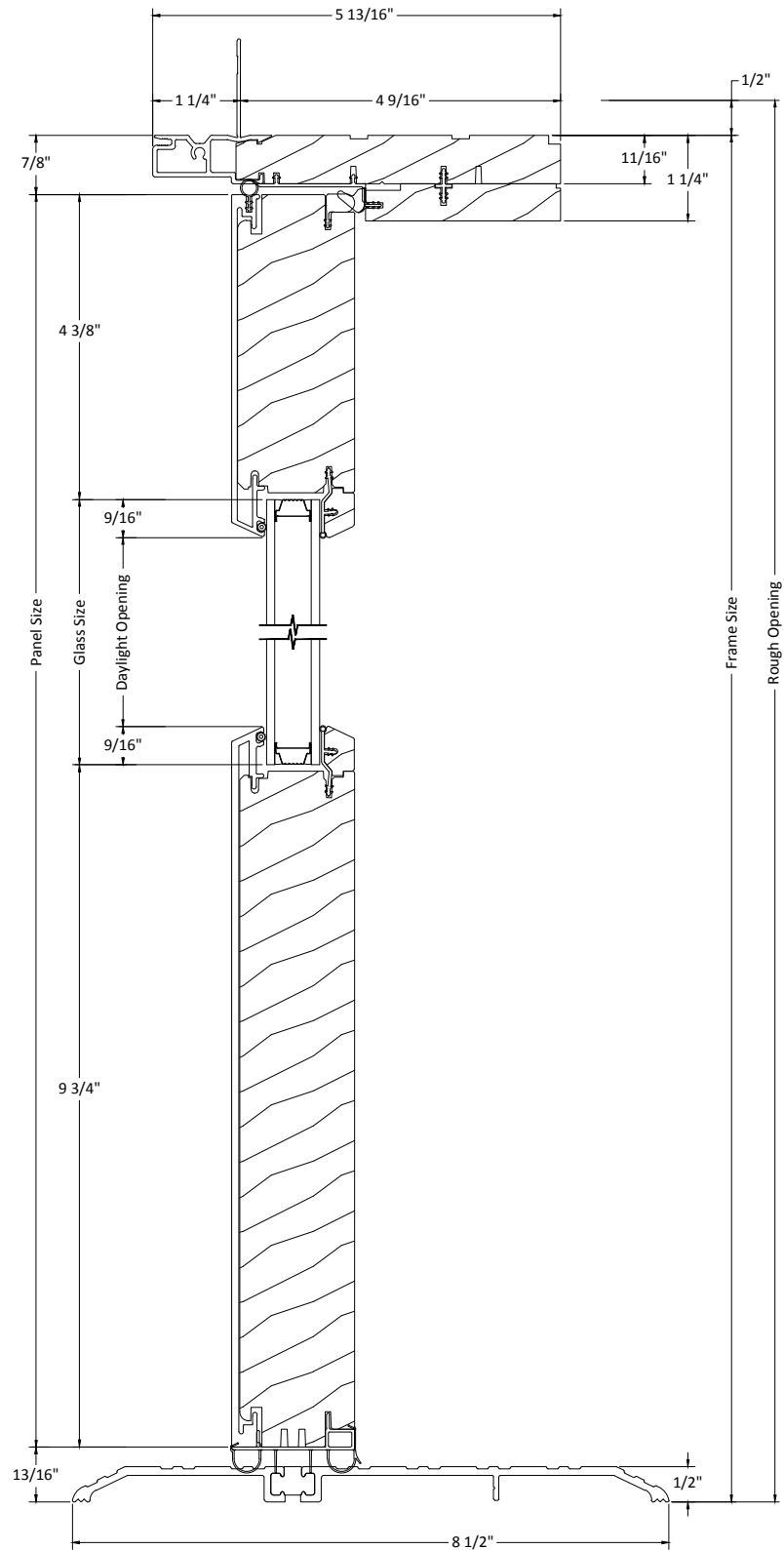
SILL OPTIONS



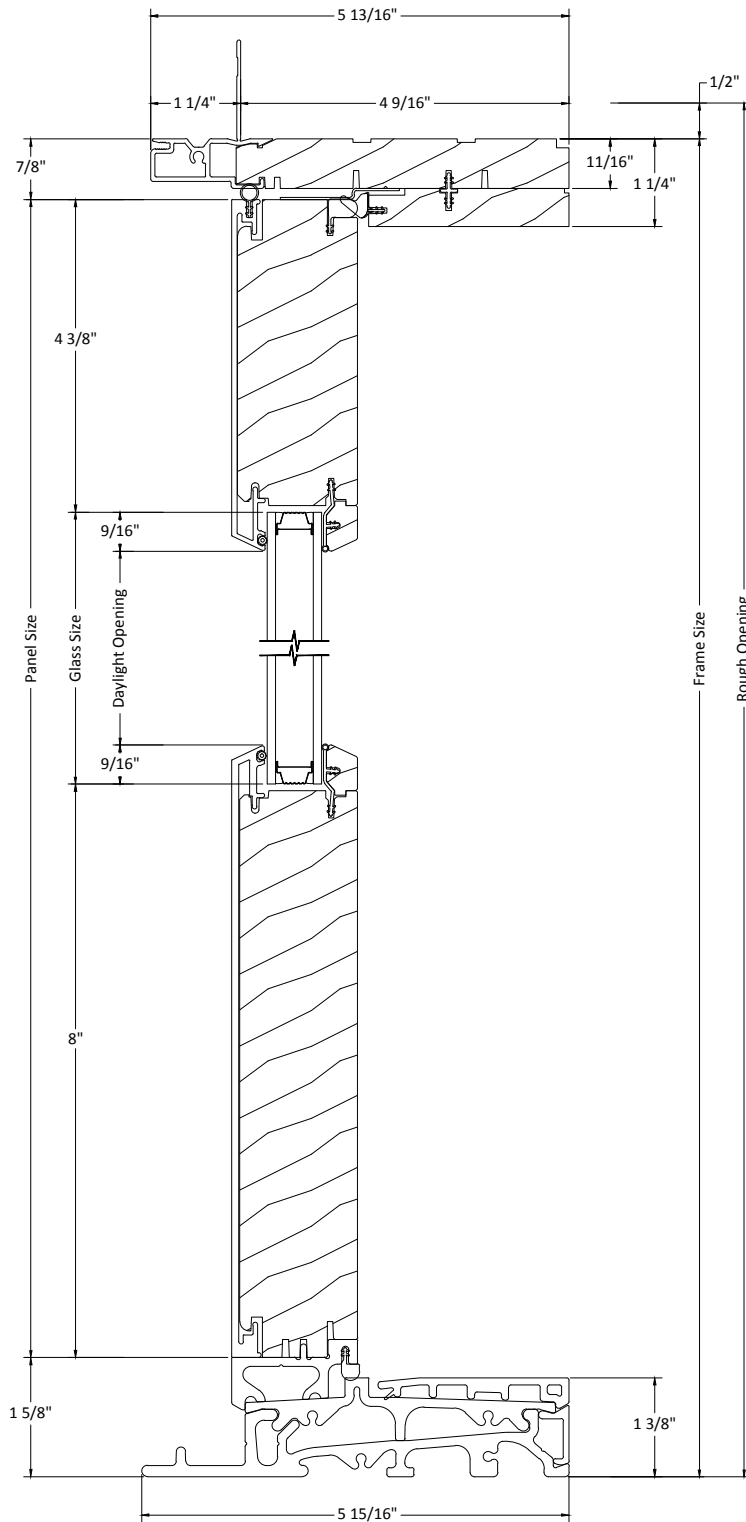
VERTICAL SECTION
DP35 SILL



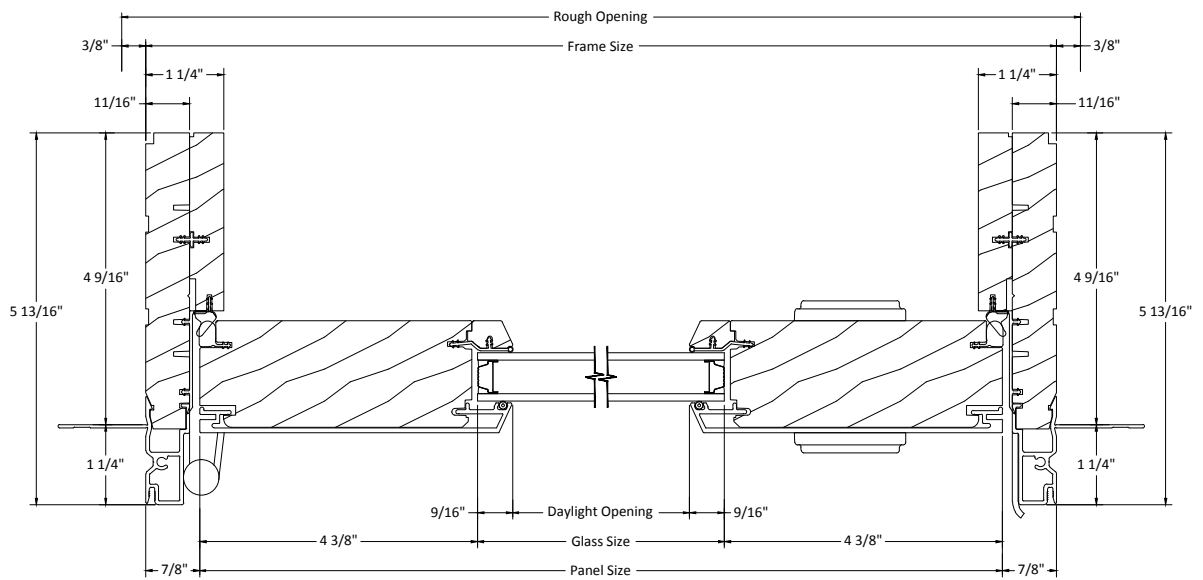
VERTICAL SECTION
ADA SILL



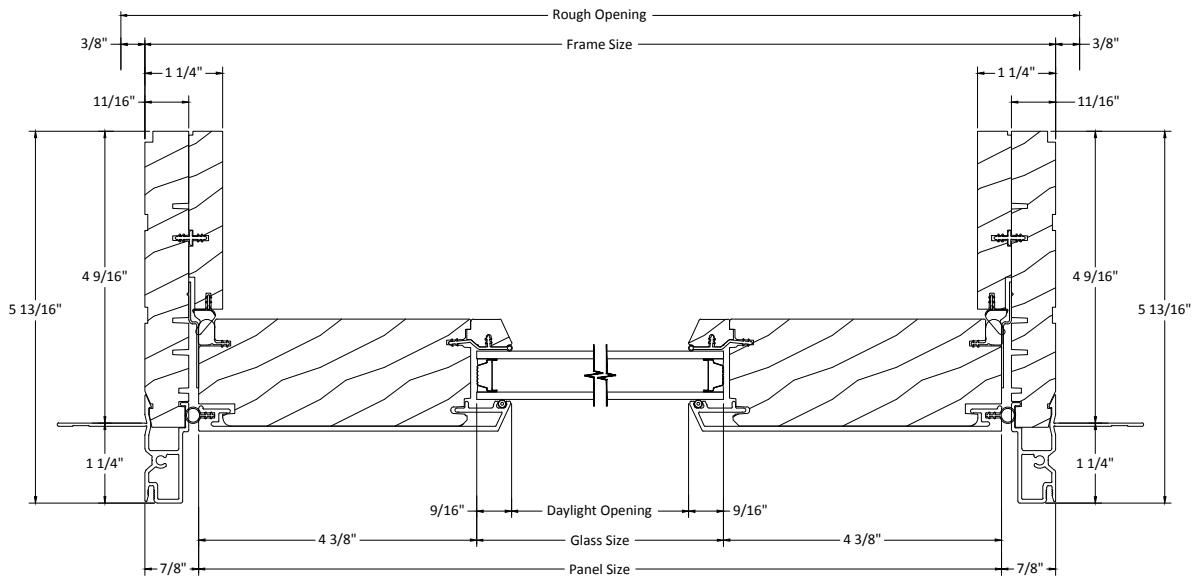
VERTICAL SECTION
DP35 STATIONARY



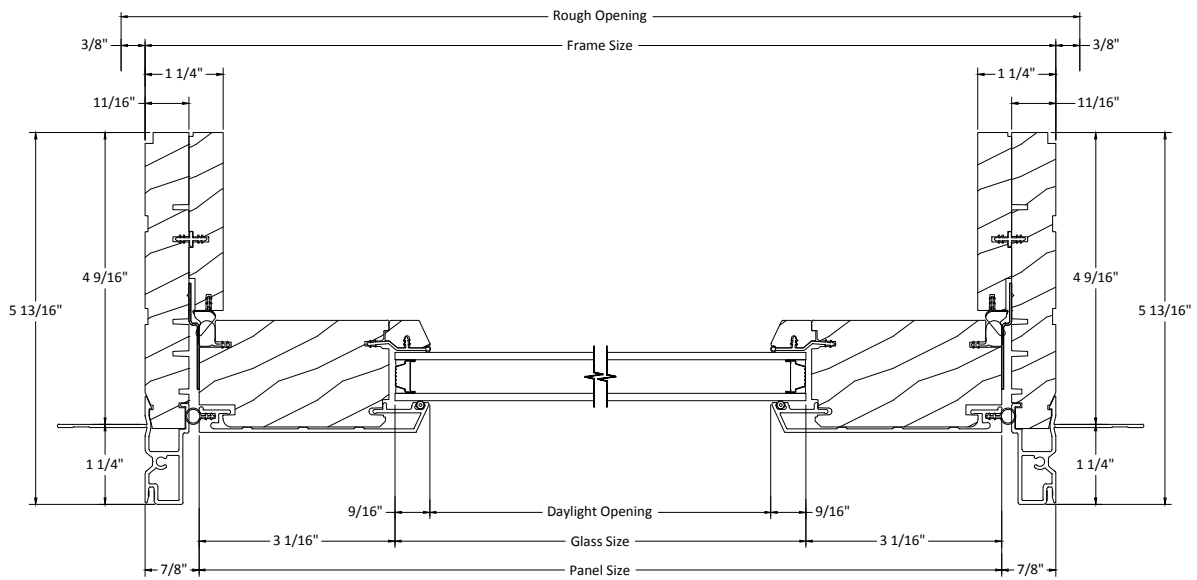
HORIZONTAL SECTION
WIDE STILE- 1 PANEL



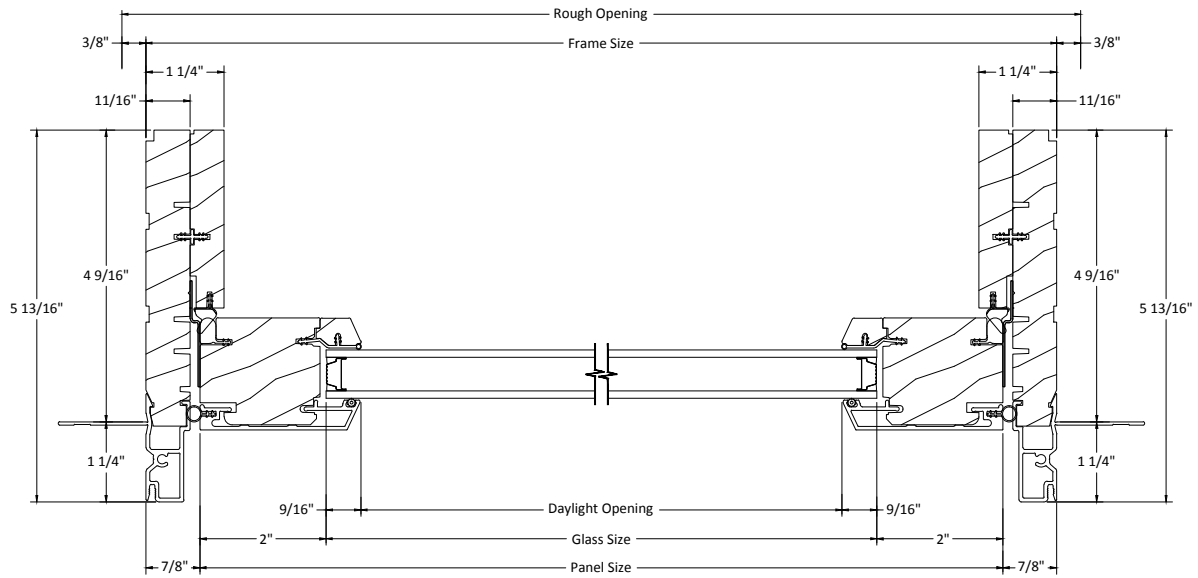
HORIZONTAL SECTION
WIDE STILE STATIONARY



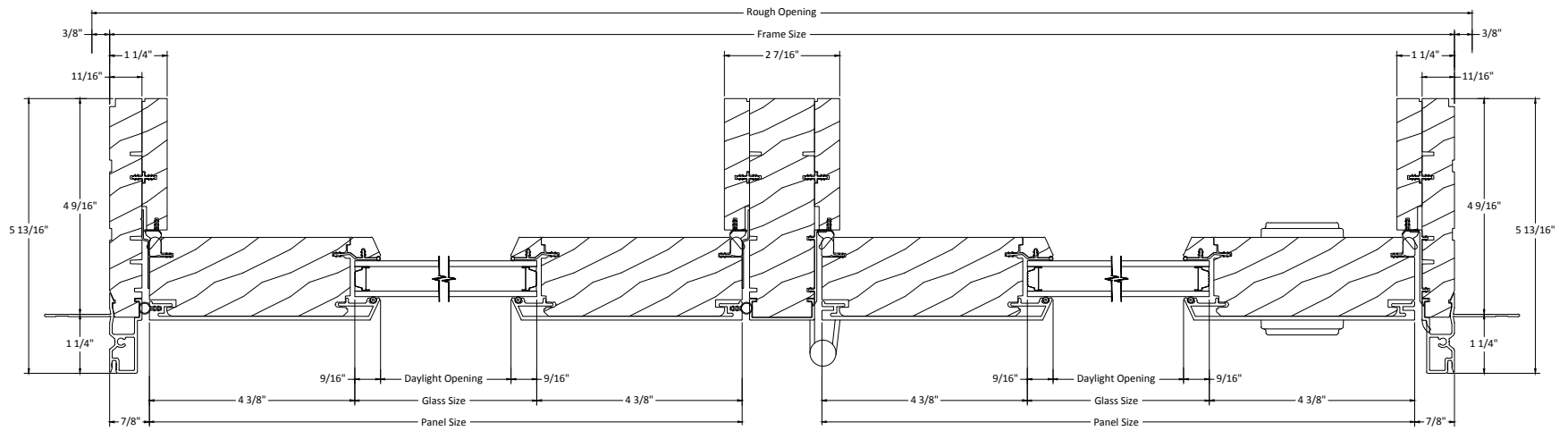
HORIZONTAL SECTION
NARROW STILE STATIONARY



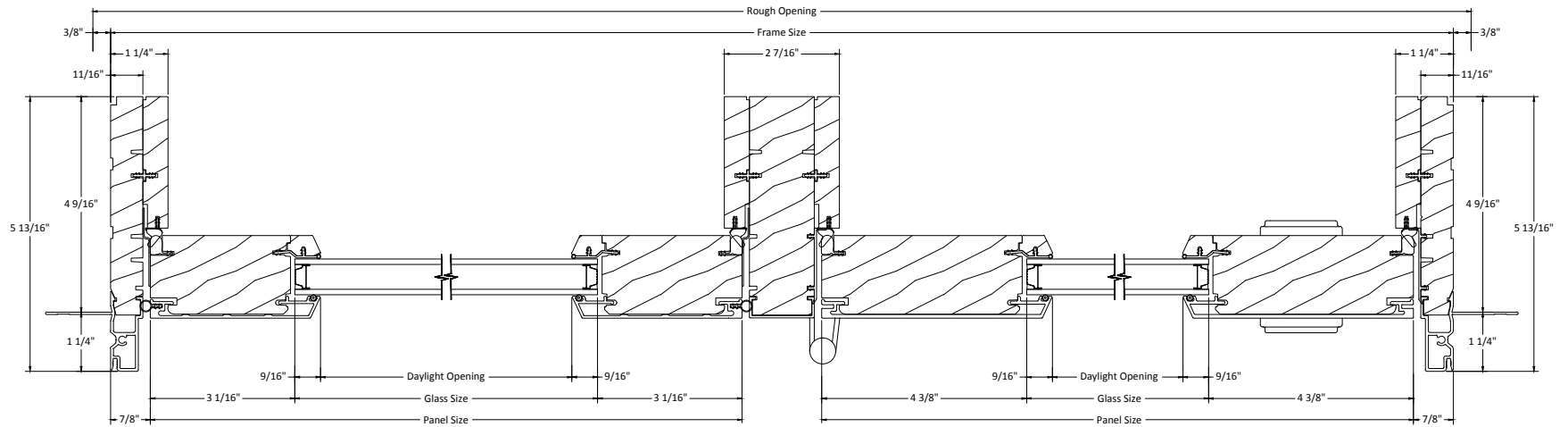
HORIZONTAL SECTION
SIDELIGHT STILE STATIONARY



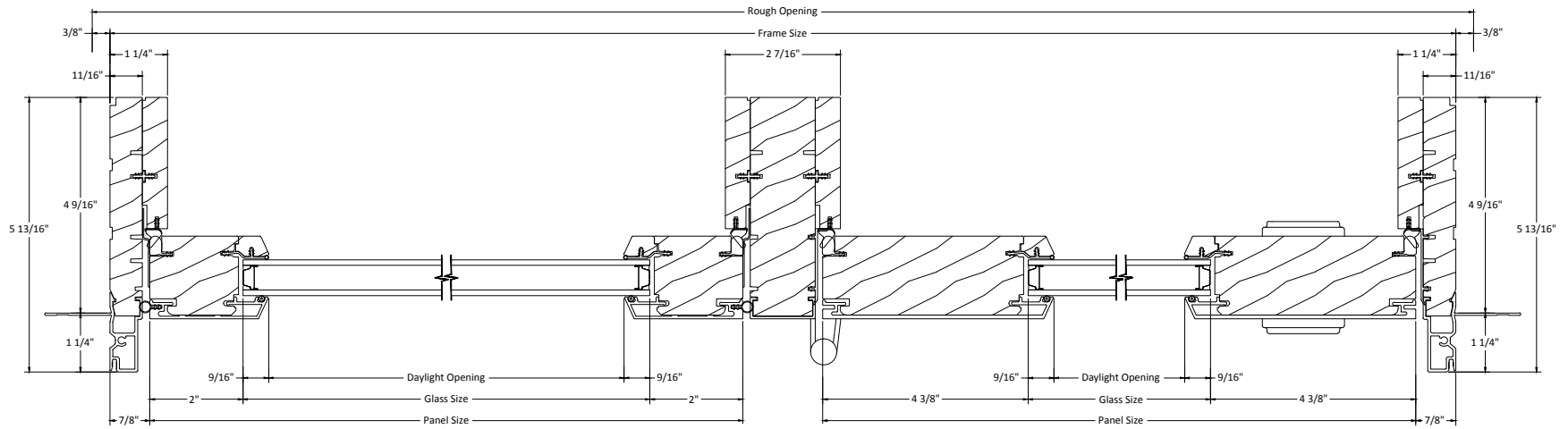
HORIZONTAL SECTION
CENTER HINGED WIDE STILE 2 PANEL



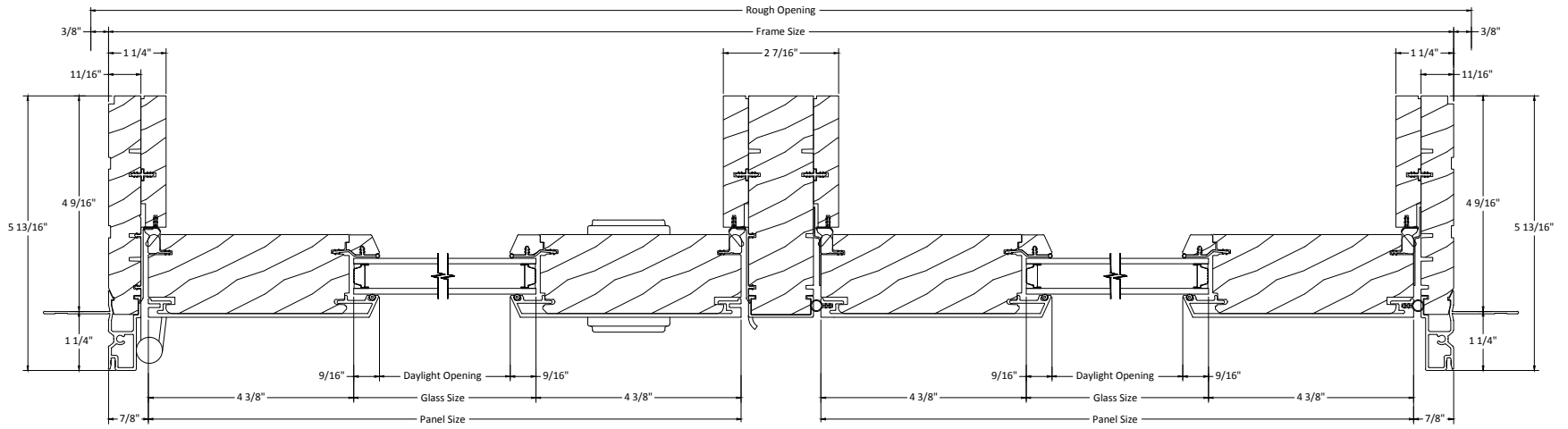
HORIZONTAL SECTION
CENTER HINGED NARROW/WIDE STILE 2
PANEL



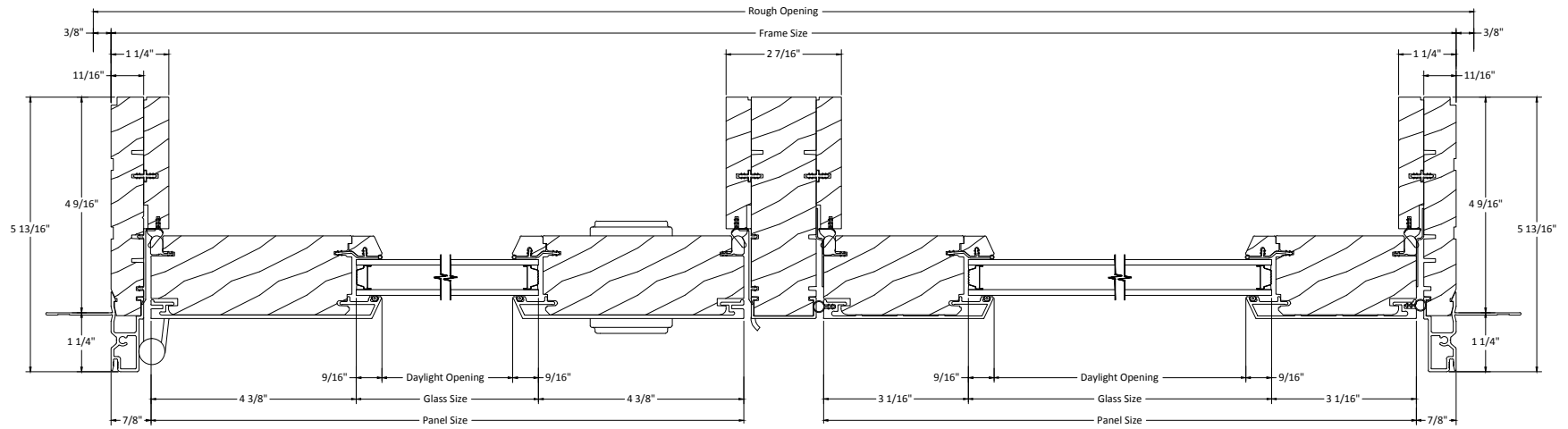
HORIZONTAL SECTION
CENTER HINGED SIDELITE/WIDE STILE 2
PANEL



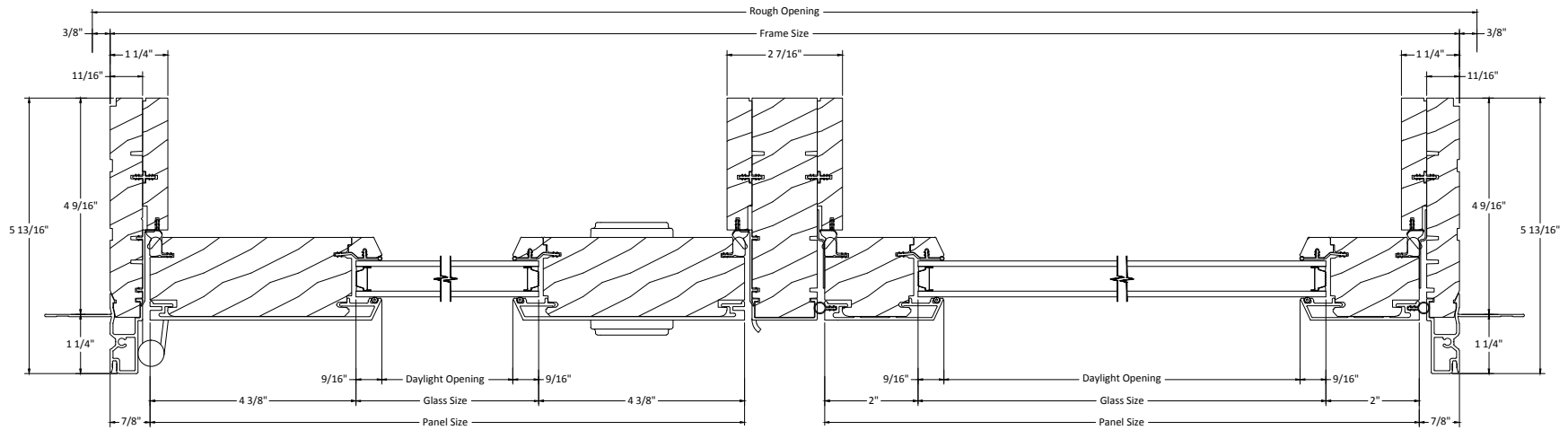
HORIZONTAL SECTION
SIDE HINGED WIDE STILE 2 PANEL



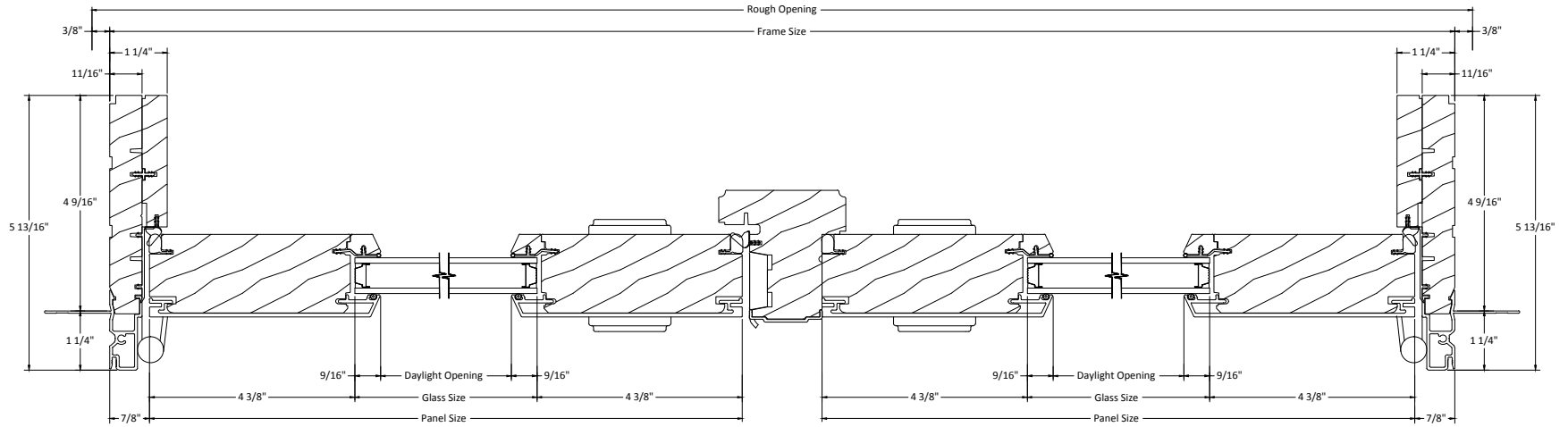
HORIZONTAL SECTION
SIDE HINGED WIDE/NARROW STILE 2
PANEL



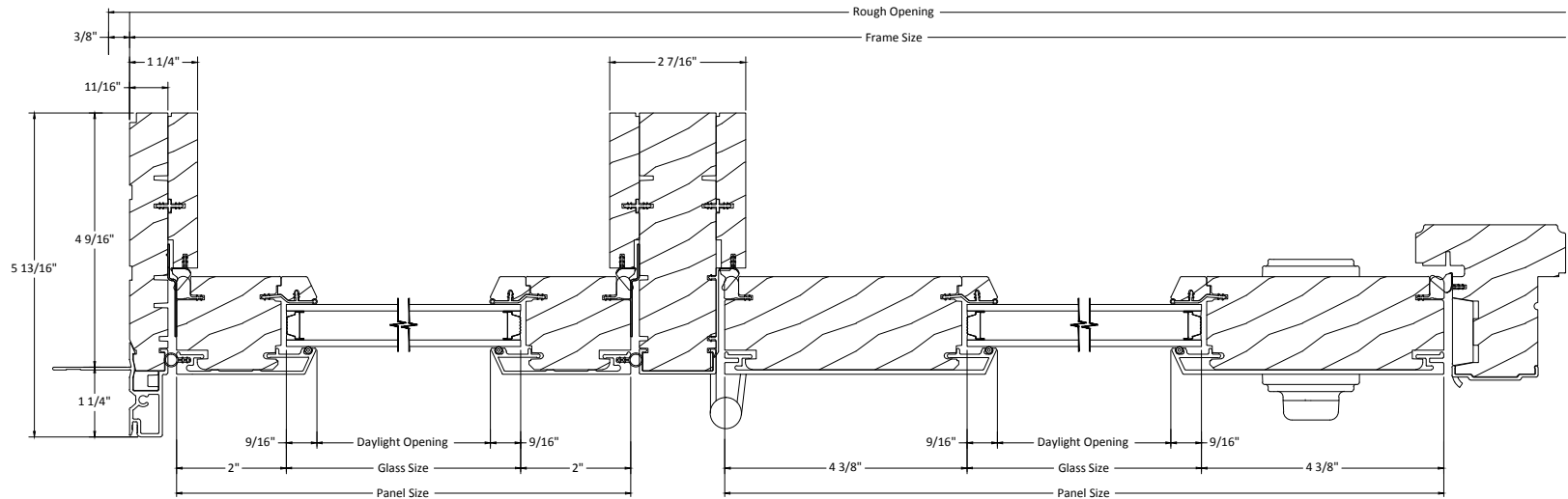
HORIZONTAL SECTION
SIDE HINGED WIDE/SIDELITE STILE 2
PANEL



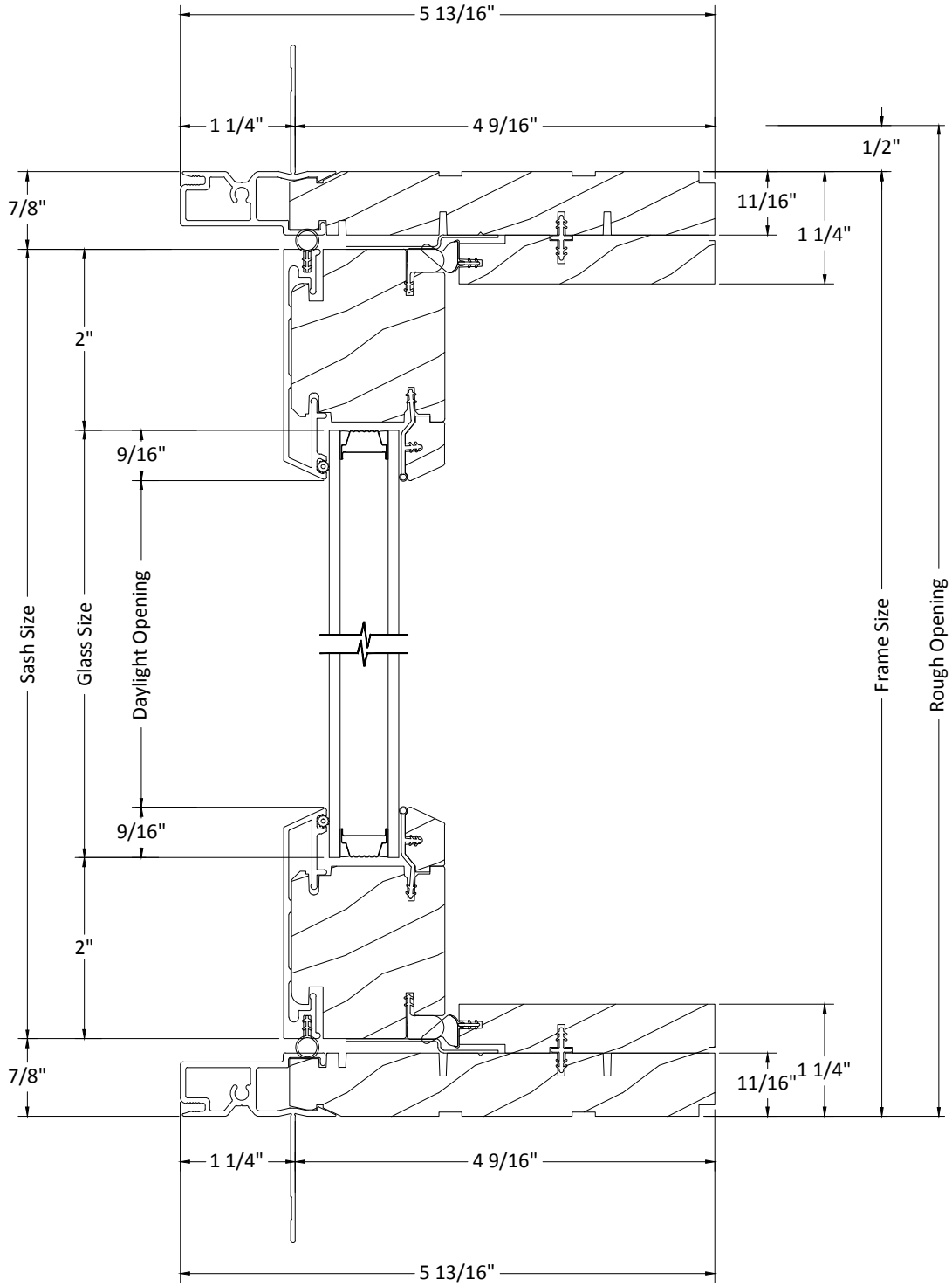
HORIZONTAL SECTION
FRENCH



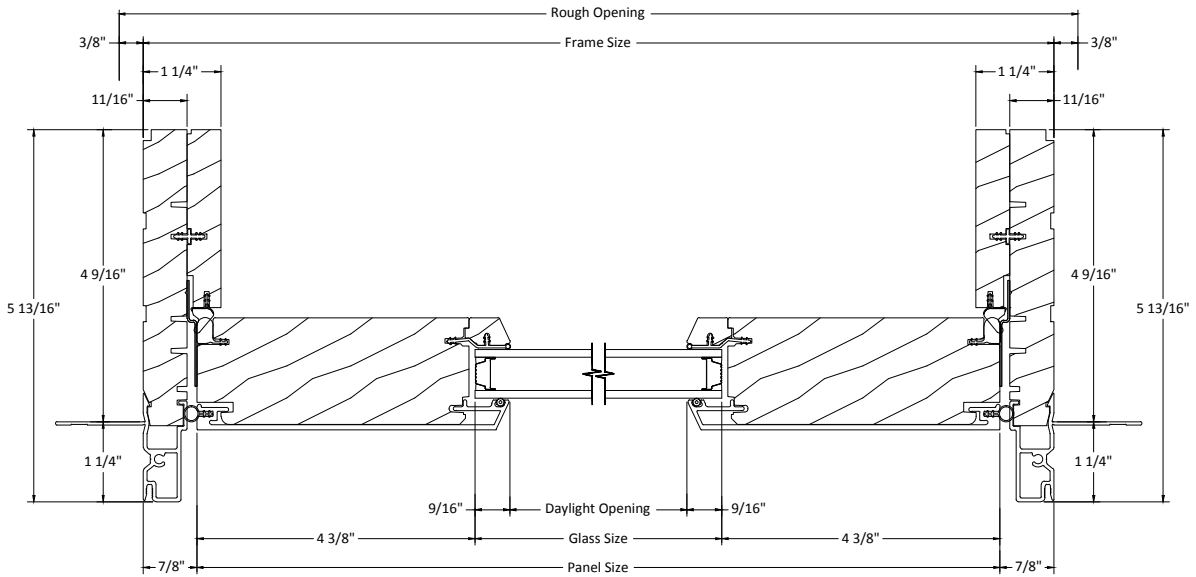
HORIZONTAL SECTION
QUAD



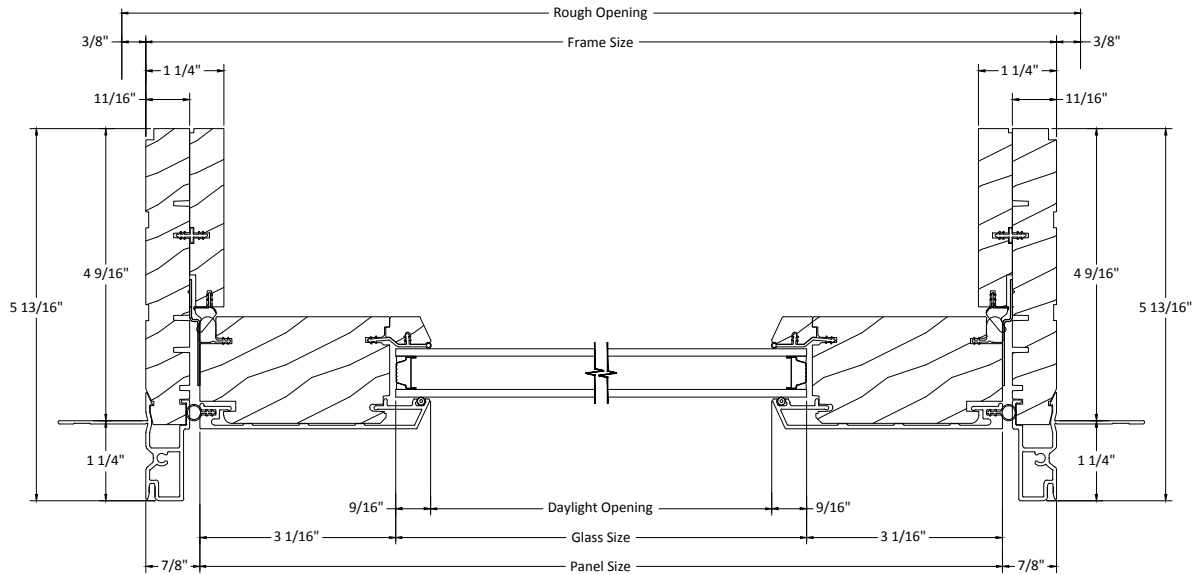
VERTICAL SECTION
TRANSOM



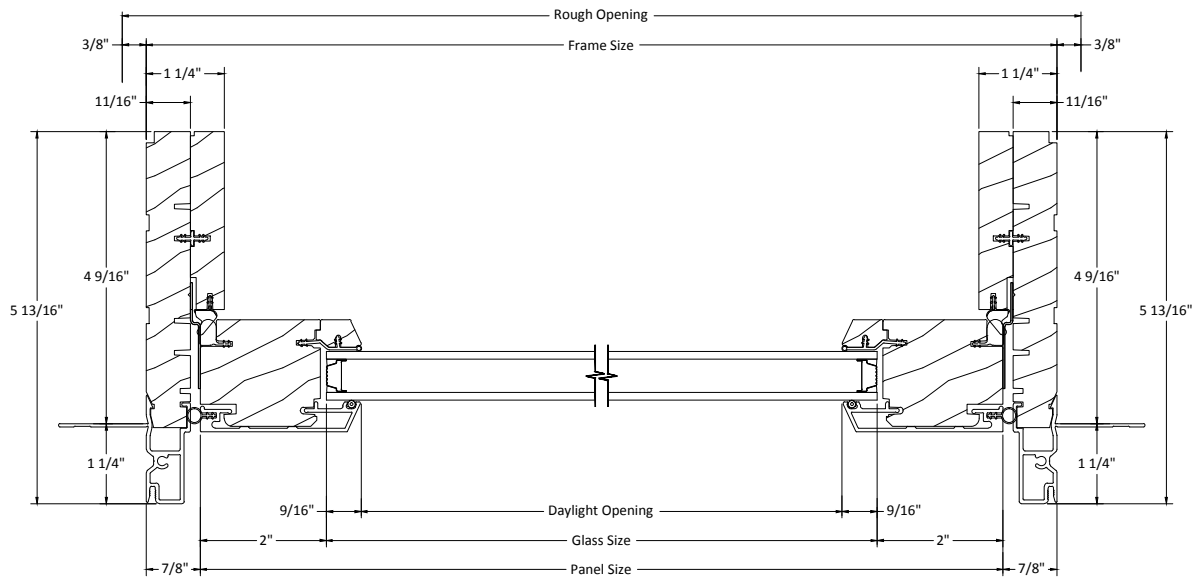
HORIZONTAL SECTION
WIDE STILE TRANSOM



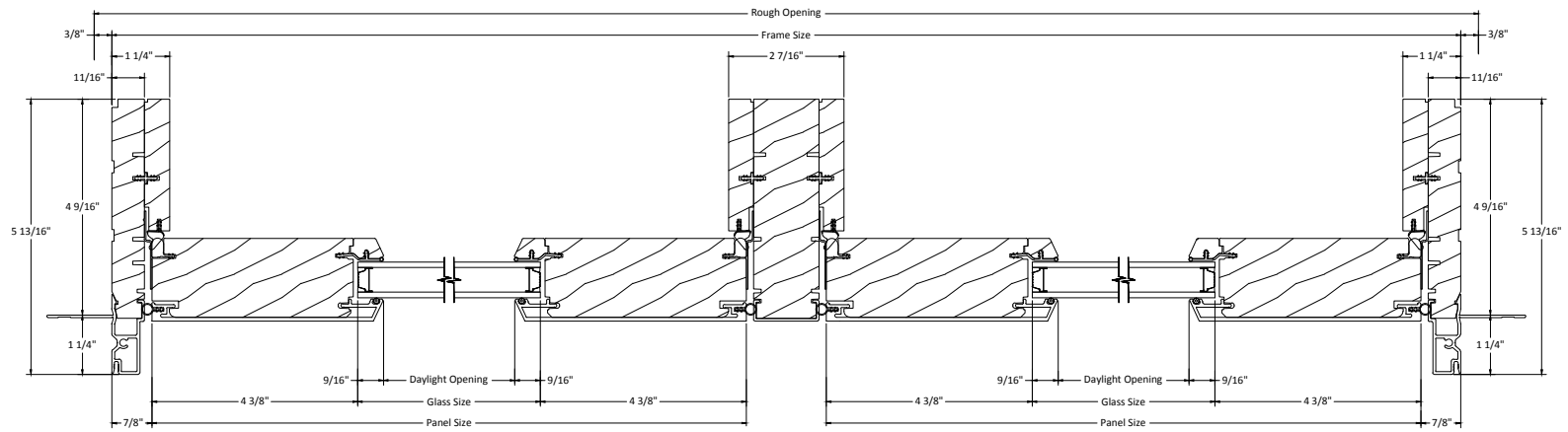
HORIZONTAL SECTION
NARROW STILE TRANSOM



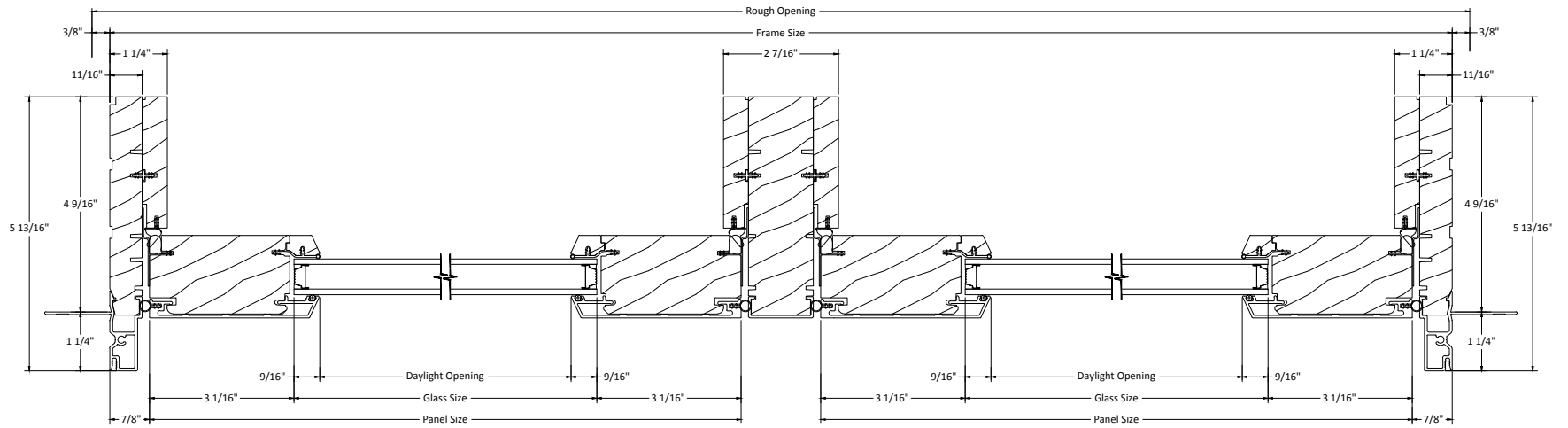
HORIZONTAL SECTION
SIDELIGHT STILE TRANSOM



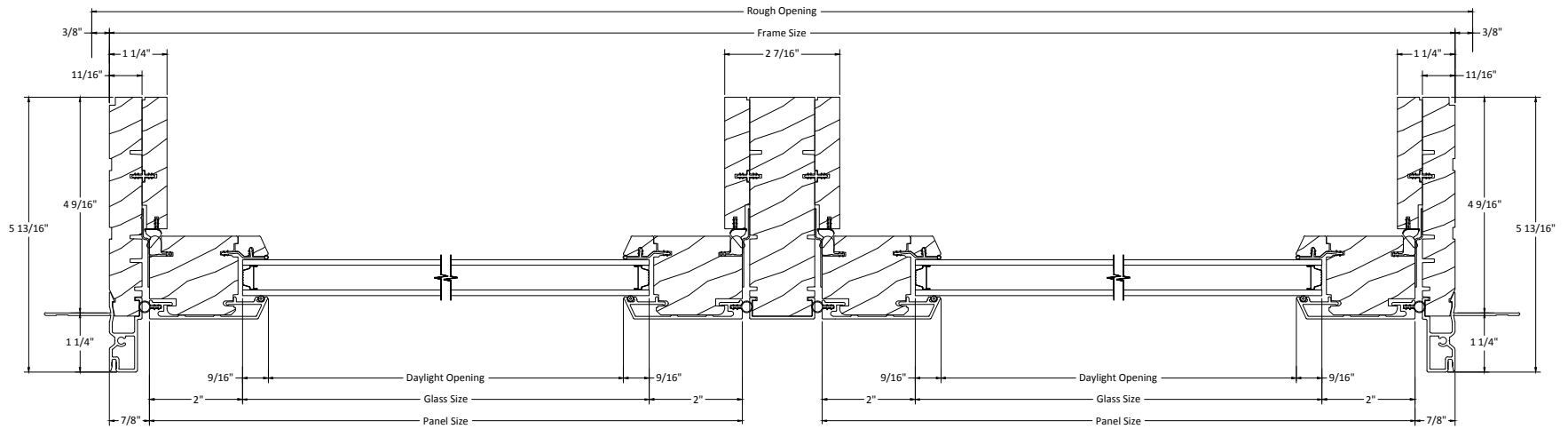
HORIZONTAL SECTION
WIDE STILE TRANSOM - 2 PANEL



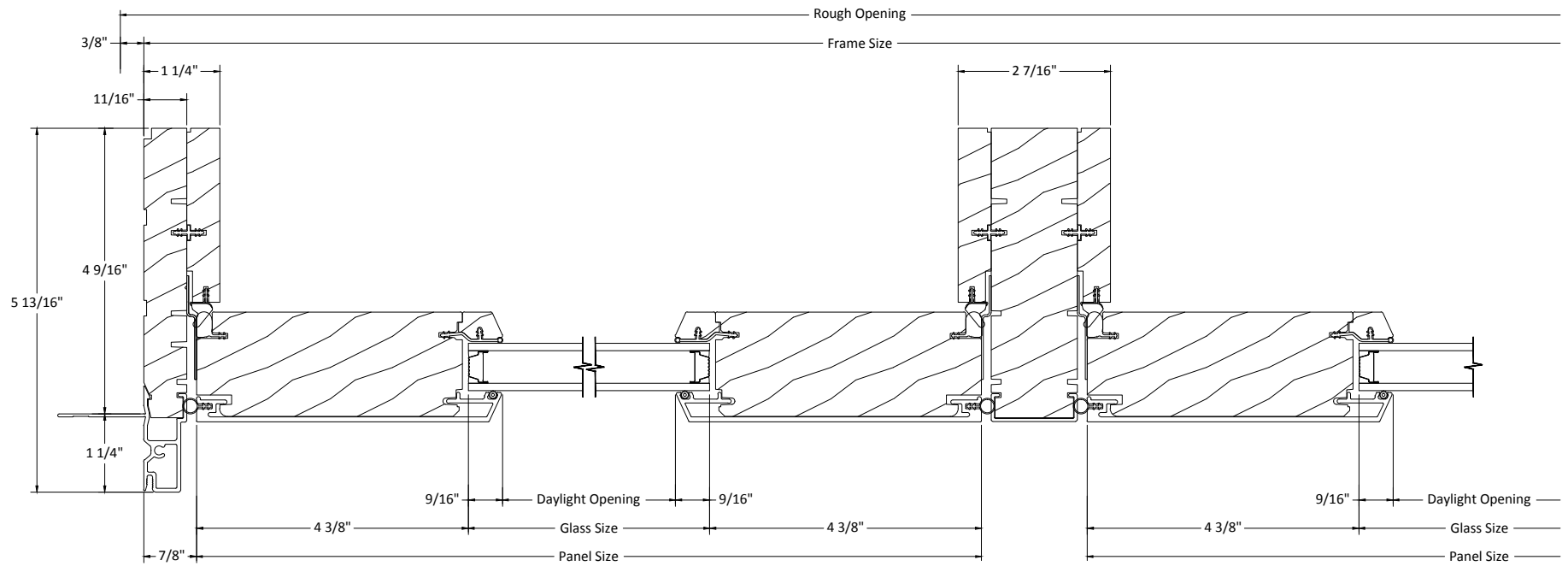
HORIZONTAL SECTION
NARROW STILE TRANSOM - 2 PANEL



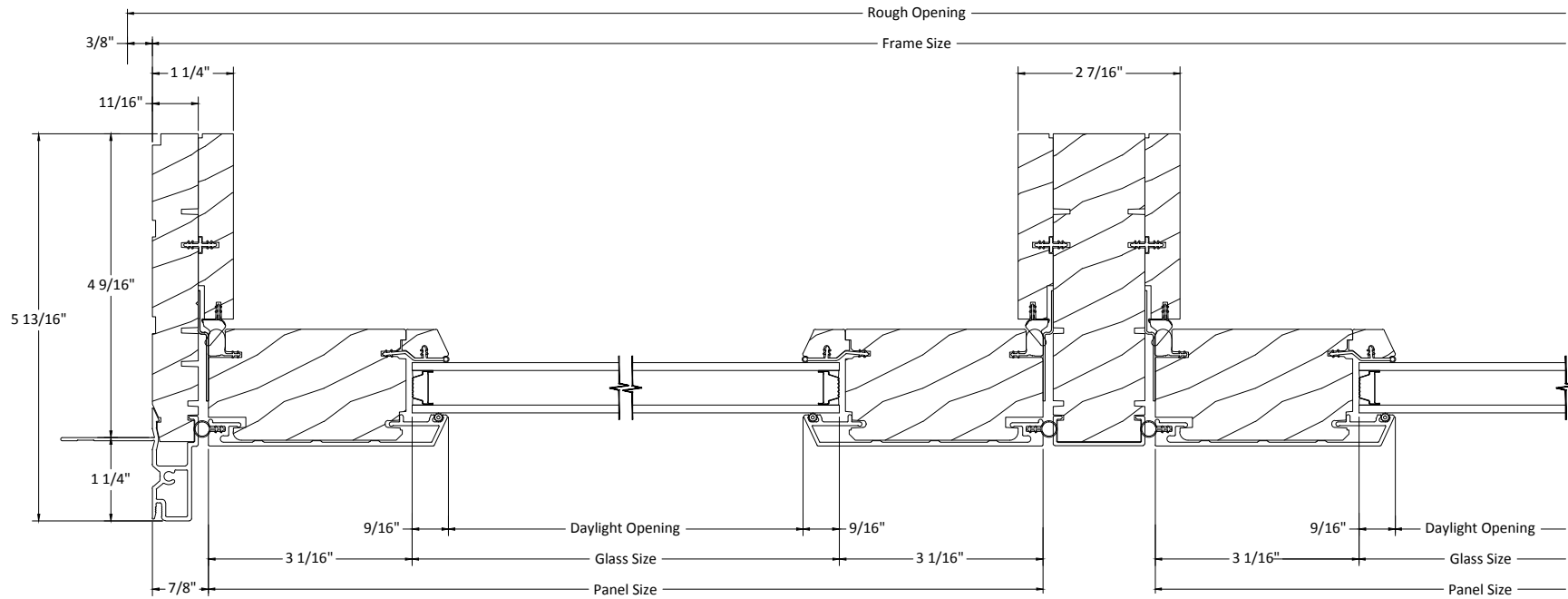
HORIZONTAL SECTION
SIDELIGHT STILE TRANSOM - 2 PANEL



HORIZONTAL SECTION
WIDE STILE TRANSOM - 3 PANEL



HORIZONTAL SECTION
NARROW STILE TRANSOM - 3 PANEL



HORIZONTAL SECTION
SIDELIGHT STILE TRANSOM - 3 PANEL

