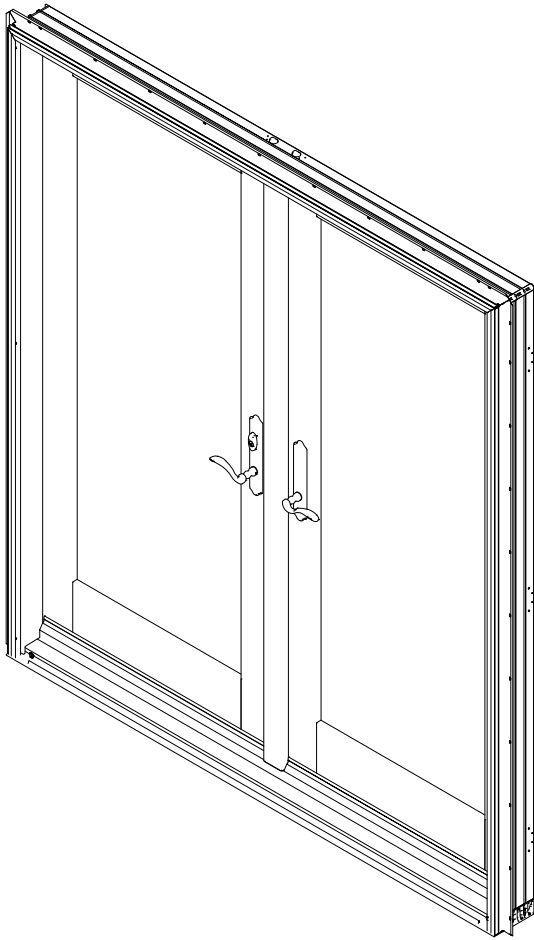

TABLE OF CONTENTS

General Information	9-2
Elevation Notes	9-3
Elevation Notes Transom	9-4
Light Cut Information	9-5
Clear Opening Design Data Table 1 & 2 Panel	9-6
Clear Opening Design Data Table 3 & 4 Panel	9-7
Clear Opening Layout	9-8
Unit Sizing, Rough Openings, & Masonry Openings	9-9
Trim Options	9-10
Frame Options	9-11
Mullion Options	9-12
Raised Panel Options	9-13
Bottom Rail Options	9-14
Stile Options	9-15
Sill Options	9-16
Section Details	9-17

GENERAL INFORMATION



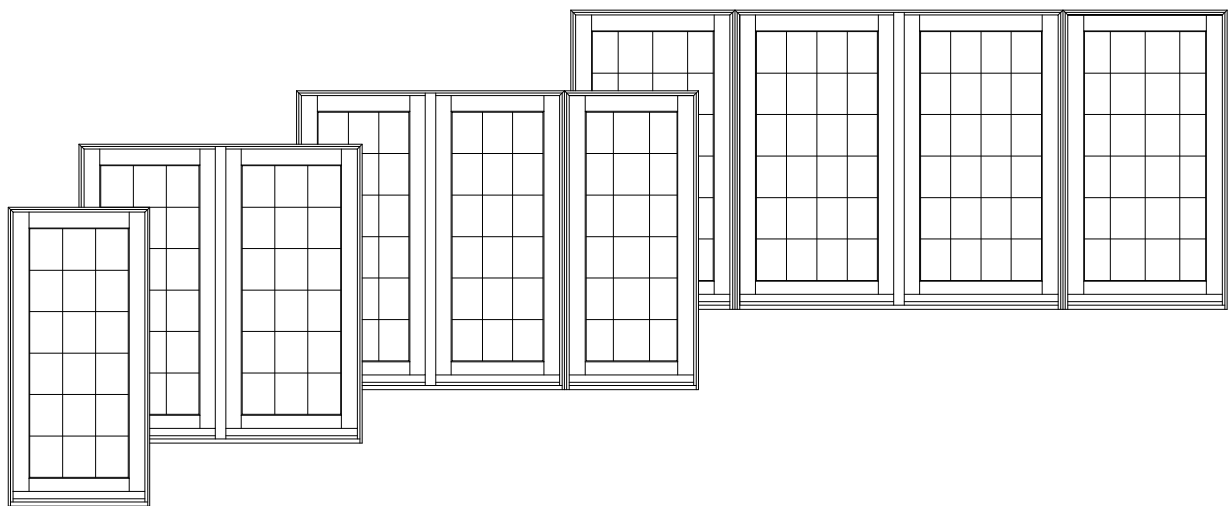
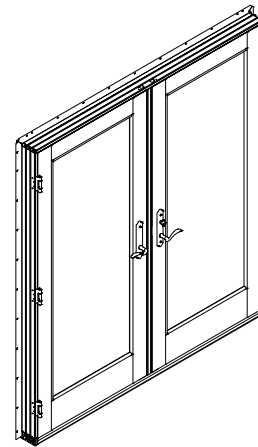
DIMENSIONAL DOORS

Siteline Clad Inswing Patio Doors may be specified as "dimensional", by adjusting the desired rough opening width or height in 1/8" increments from standard.

Siteline Clad Inswing Patio Doors are available in single, twin, triple and quad panel doors. The standard size range includes sizes specifically designed for replacement of older patio door models in existing structures, as well as a full range of "true size" products for architectural consistency. Please consult our Quick Quote software for detailed product options and availability.

OPERATION

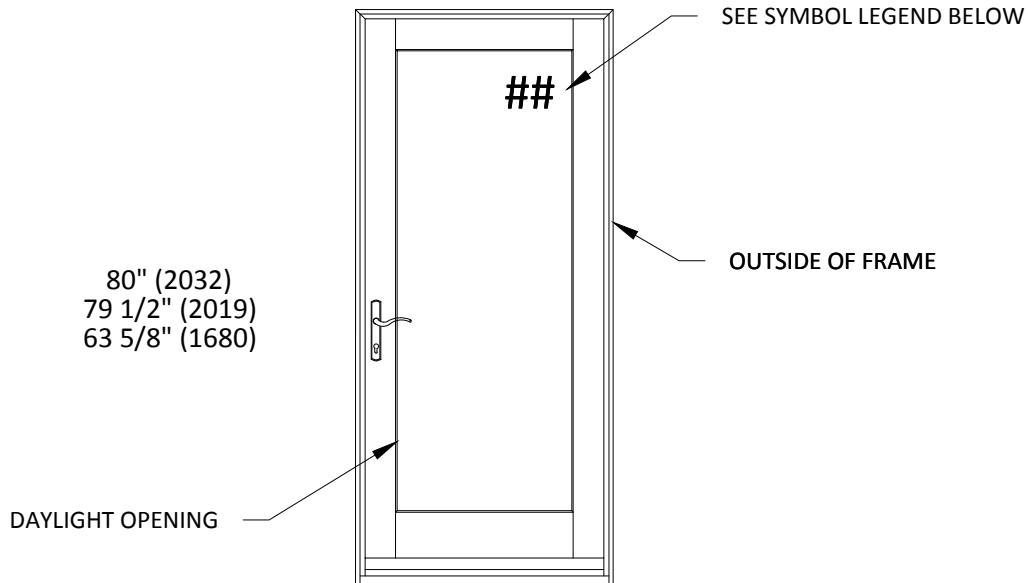
Siteline Clad Inswing Patio Doors are available in a full range of operating styles. Single panel doors may be specified as stationary (non-venting) or can operate left or right. Center swing two-or three-panel doors are available with left or right operation.



ELEVATION NOTES

ELEVATION DRAWINGS UTILIZE A LIMITED NUMBER OF PROJECTED LINES TO PRODUCE A RUDIMENTARY DRAWING INTENDED TO BE USED IN A SMALL GRAPHICAL SCALE. ELEVATIONS ARE VIEWED PERPENDICULAR FROM THE EXTERIOR OF THE STRUCTURE. IF MORE DIMENSIONS ARE NEEDED, USE THE SECTION DRAWINGS FOR MORE COMPLETE DEPICTIONS.

Rough Opening 36 3/8" (924)
Frame Size 35 5/8" (905)
Daylight Opening 24 3/16" (614)



PRCISW3068

BOOK CODE

'PRCISW' INDICATES SITELINE CLAD INSWING PATIO DOOR

THE LAST TWO NUMBERS INDICATE THE FRAME CALLOUT HEIGHT (FT. IN.)
THE FIRST TWO OR THREE NUMBERS INDICATE THE FRAME CALLOUT WIDTH IN (FT. IN.)

GENERAL SWINGING DOOR NOTES

1. SITELINE INSWING PATIO DOOR (PRCISW) UNITS ARE AVAILABLE AS OPERATING OR FIXED UNITS.
2. UNIT ELEVATIONS ARE SHOWN WITHOUT EXTERIOR TRIM. UNIT SIZES & MASONRY OPENING DIMENSIONS WILL CHANGE WITH THE ADDITION OF EXTERIOR TRIM. SEE THE 'UNIT SIZING, ROUGH OPENINGS & MASONRY OPENINGS' PAGE FOR EXTERIOR TRIM EFFECTS.
3. OPERATING UNITS ARE AVAILABLE AS LEFT OR RIGHT HAND OPERATION.
4. HANDICAP SILL, 10" BOTTOM RAILS, INTERMEDIATE LOCK RAILS AND RAISED PANELS ARE AVAILABLE FOR ALL UNITS.

ELEVATION SYMBOL LEGEND

NUMBER INDICATES PERFORMANCE GRADE (PG) RATING WITH STANDARD GLAZING FOR ALL UNITS EXCLUDING ADA SILL UNITS. NUMBER INDICATES DESIGN PRESSURE (DP) WITH LIMITED WATER RATING WITH STANDARD GLAZING FOR ADA SILL UNITS.

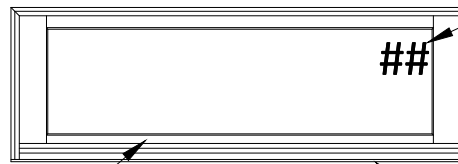
ELEVATION NOTES

ELEVATION DRAWINGS UTILIZE A LIMITED NUMBER OF PROJECTED LINES TO PRODUCE A RUDIMENTARY DRAWING INTENDED TO BE USED IN A SMALL GRAPHICAL SCALE. ELEVATIONS ARE VIEWED PERPENDICULAR FROM THE EXTERIOR OF THE STRUCTURE. IF MORE DIMENSIONS ARE NEEDED, USE THE SECTION DRAWINGS FOR MORE COMPLETE DEPICTIONS.

ROUGH OPENING
FRAME SIZE
DAYLIGHT OPENING

72"(1829)
71 1/4"(1810)
59 13/16"(1519)

24 3/4"(629)
24"(610)
17 5/16"(440)



SEE SYMBOL LEGEND BELOW

DAYLIGHT OPENING

OUTSIDE OF FRAME

PRCIST6020

BOOK CODE

'PRCIST' INDICATES SITELINE CLAD INSWING PATIO DOOR TRANSOM

THE LAST TWO NUMBERS INDICATE THE FRAME CALLOUT HEIGHT (FT. IN.)

THE FIRST TWO OR THREE NUMBERS INDICATE THE FRAME CALLOUT WIDTH IN (FT. IN.)

GENERAL SWINGING DOOR NOTES

1. SITELINE INSWING PATIO DOOR TRANSOMS (PRCIST) UNITS ARE AVAILABLE AS FIXED UNITS ONLY.

2. UNIT ELEVATIONS ARE SHOWN WITHOUT EXTERIOR TRIM. UNIT SIZES & MASONRY OPENING DIMENSIONS WILL CHANGE WITH THE ADDITION OF EXTERIOR TRIM. SEE THE 'UNIT SIZING, ROUGH OPENINGS & MASONRY OPENINGS' PAGE FOR EXTERIOR TRIM EFFECTS.

ELEVATION SYMBOL LEGEND

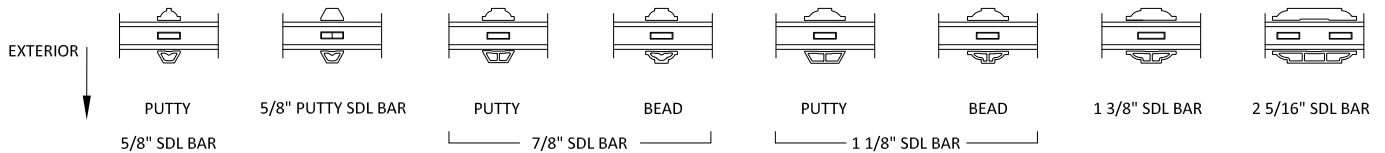
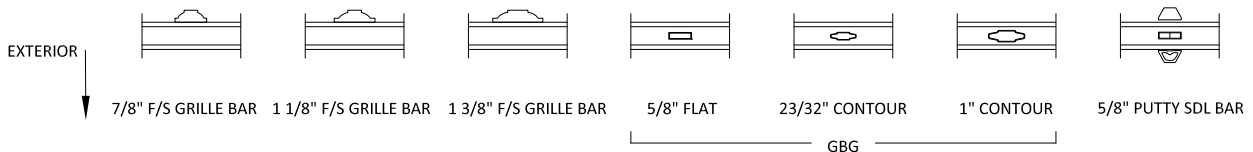
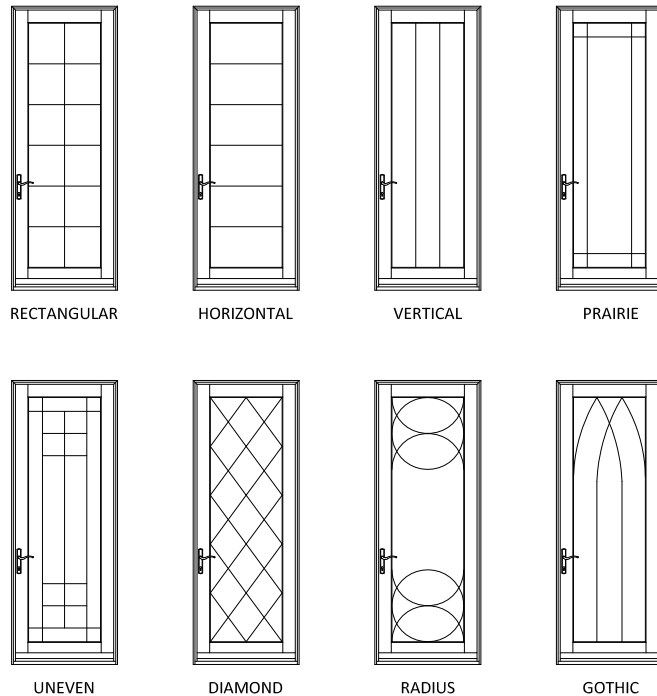
NUMBER INDICATES PERFORMANCE GRADE (PG) RATING WITH STANDARD GLAZING FOR ALL UNITS.

LIGHT CUT INFORMATION

Siteline Clad Inswing Patio Doors are available with full surround removable grilles in 7/8", 1 1/8" and 1 3/8" widths, with grilles between the glass (GBG), or with simulated divided lites (SDL). Standard lite cuts are rectangular, and conform to the layouts noted in the charts on the next page. To use the chart, refer to the appropriate table by the type of patio door and type of bars or grilles the section drawings illustrate. Then simply cross reference the frame height and width to determine the standard lite cut.

LITE CUT OPTIONS

Special lite cut patterns can include a wide variety of straight line and radius patterns. The illustrations shown here represent just a few of the possibilities. Rectangular, horizontal, vertical and prairie lite patterns are available in all standard size clad swinging patio doors. Uneven, diamond, radius and gothic lite cuts are available, subject to approval. Approvals are based on the ability to fulfill the design requirement while maintaining the construction integrity of the finished product.



PRCISW	Width Callout										
	1-2	1-4	1-6	2-0	2-6	2-8	3-0	3-2	3-6	3-8	
Height Callout	6-8	1W 5H	1W 5H	1W 5H	2W 5H	2W 5H	3W 5H	3W 5H	3W 5H	4W 5H	4W 5H
	6-11	1W 5H	1W 5H	1W 5H	2W 5H	2W 5H	3W 5H	3W 5H	3W 5H	4W 5H	4W 5H
	7-0T	1W 5H	1W 5H	1W 5H	2W 5H	2W 5H	3W 5H	3W 5H	3W 5H	4W 5H	4W 5H
	8-0	1W 6H	1W 6H	1W 6H	2W 6H	2W 6H	3W 6H	3W 6H	3W 6H	4W 6H	4W 6H
	8-0T	1W 6H	1W 6H	1W 6H	2W 6H	2W 6H	3W 6H	3W 6H	3W 6H	4W 6H	4W 6H
	9-0	1W 7H	1W 7H	1W 7H	2W 7H	2W 7H	3W 7H	3W 7H	3W 7H	4W 7H	4W 7H
	10-0	1W 7H	1W 7H	1W 7H	2W 7H	2W 7H	3W 7H	3W 7H	3W 7H	4W 7H	4W 7H

**CLEAR OPENING DESIGN DATA TABLES
1 & 2 PANEL**

Single Panel									Two Panel [2]								
Unit Number Bookcode	Frame Width	Frame Height	Clear Opening Width	Clear Opening Height [1]	Vent Area Sq. Ft.	Daylight Opening Width	Daylight Opening Height	Daylight Opening Sq. Ft.	Unit Number Bookcode	Frame Width	Frame Height	Clear Opening Width [2]	Clear Opening Height [1]	Vent Area Sq. Ft.	Daylight Opening Width	Daylight Opening Height	Sq. Ft. Daylight Opening
PRCISW2068	23.63	79.50	19.09	76.91	10.20	12.19	63.59	5.38	PRCISW4068	47.25	79.50	40.63	76.91	21.70	24.38	63.59	10.76
PRCISW20611	23.63	82.50	19.09	79.91	10.60	12.19	66.59	5.64	PRCISW40611	47.25	82.50	40.63	79.91	22.54	24.38	66.59	11.27
PRCISW2070T	23.63	86.50	19.09	83.91	11.13	12.19	70.59	5.97	PRCISW4070T	47.25	86.50	40.63	83.91	23.67	24.38	70.59	11.95
PRCISW2080	23.63	95.50	19.09	92.91	12.32	12.19	79.59	6.74	PRCISW4080	47.25	95.50	40.63	92.91	26.21	24.38	79.59	13.47
PRCISW2080T	23.63	98.50	19.09	95.91	12.72	12.19	82.59	6.99	PRCISW4080T	47.25	98.50	40.63	95.91	27.06	24.38	82.59	13.98
PRCISW2090	23.63	107.50	19.09	104.91	13.91	12.19	91.59	7.75	PRCISW4090	47.25	107.50	40.63	104.91	29.60	24.38	91.59	15.50
PRCISW20100	23.63	119.50	19.09	116.91	15.50	12.19	103.59	8.77	PRCISW40100	47.25	119.50	40.63	116.91	32.98	24.38	103.59	17.54
PRCISW2668	29.63	79.50	25.09	76.91	13.40	18.19	63.59	8.03	PRCISW5068	59.25	79.50	52.63	76.91	28.11	36.38	63.59	16.06
PRCISW26611	29.63	82.50	25.09	79.91	13.92	18.19	66.59	8.41	PRCISW50611	59.25	82.50	52.63	79.91	29.20	36.38	66.59	16.82
PRCISW2670T	29.63	86.50	25.09	83.91	14.62	18.19	70.59	8.92	PRCISW5070T	59.25	86.50	52.63	83.91	30.66	36.38	70.59	17.83
PRCISW2680	29.63	95.50	25.09	92.91	16.19	18.19	79.59	10.05	PRCISW5080	59.25	95.50	52.63	92.91	33.95	36.38	79.59	20.11
PRCISW2680T	29.63	98.50	25.09	95.91	16.71	18.19	82.59	10.43	PRCISW5080T	59.25	98.50	52.63	95.91	35.05	36.38	82.59	20.86
PRCISW2690	29.63	107.50	25.09	104.91	18.28	18.19	91.59	11.57	PRCISW5090	59.25	107.50	52.63	104.91	38.34	36.38	91.59	23.14
PRCISW26100	29.63	119.50	25.09	116.91	20.37	18.19	103.59	13.08	PRCISW50100	59.25	119.50	52.63	116.91	42.72	36.38	103.59	26.17
PRCISW2868	31.63	79.50	27.09	76.91	14.47	20.19	63.59	8.92	PRCISW5468	63.25	79.50	56.63	76.91	30.24	40.38	63.59	17.83
PRCISW28611	31.63	82.50	27.09	79.91	15.03	20.19	66.59	9.34	PRCISW54611	63.25	82.50	56.63	79.91	31.42	40.38	66.59	18.67
PRCISW2870T	31.63	86.50	27.09	83.91	15.79	20.19	70.59	9.90	PRCISW5470T	63.25	86.50	56.63	83.91	32.99	40.38	70.59	19.79
PRCISW2880	31.63	95.50	27.09	92.91	17.48	20.19	79.59	11.16	PRCISW5480	63.25	95.50	56.63	92.91	36.53	40.38	79.59	22.32
PRCISW2880T	31.63	98.50	27.09	95.91	18.04	20.19	82.59	11.58	PRCISW5480T	63.25	98.50	56.63	95.91	37.71	40.38	82.59	23.16
PRCISW2890	31.63	107.50	27.09	104.91	19.74	20.19	91.59	12.84	PRCISW5490	63.25	107.50	56.63	104.91	41.25	40.38	91.59	25.68
PRCISW28100	31.63	119.50	27.09	116.91	22.00	20.19	103.59	14.52	PRCISW54100	63.25	119.50	56.63	116.91	45.97	40.38	103.59	29.05
PRCISW3068	35.63	79.50	31.09	76.91	16.61	24.19	63.59	10.68	PRCISW6068	71.25	79.50	64.63	76.91	34.51	48.38	63.59	21.36
PRCISW30611	35.63	82.50	31.09	79.91	17.25	24.19	66.59	11.19	PRCISW60611	71.25	82.50	64.63	79.91	35.86	48.38	66.59	22.37
PRCISW3070T	35.63	86.50	31.09	83.91	18.12	24.19	70.59	11.86	PRCISW6070T	71.25	86.50	64.63	83.91	37.66	48.38	70.59	23.72
PRCISW3080	35.63	95.50	31.09	92.91	20.06	24.19	79.59	13.37	PRCISW6080	71.25	95.50	64.63	92.91	41.69	48.38	79.59	26.74
PRCISW3080T	35.63	98.50	31.09	95.91	20.71	24.19	82.59	13.87	PRCISW6080T	71.25	98.50	64.63	95.91	43.04	48.38	82.59	27.75
PRCISW3090	35.63	107.50	31.09	104.91	22.65	24.19	91.59	15.38	PRCISW6090	71.25	107.50	64.63	104.91	47.08	48.38	91.59	30.77
PRCISW30100	35.63	119.50	31.09	116.91	25.24	24.19	103.59	17.40	PRCISW60100	71.25	119.50	64.63	116.91	52.47	48.38	103.59	34.80
PRCISW3268	37.63	79.50	33.09	76.91	17.67	26.19	63.59	11.57	PRCISW6468	75.25	79.50	68.63	76.91	36.65	52.38	63.59	23.13
PRCISW32611	37.63	82.50	33.09	79.91	18.36	26.19	66.59	12.11	PRCISW64611	75.25	82.50	68.63	79.91	38.08	52.38	66.59	24.22
PRCISW3270T	37.63	86.50	33.09	83.91	19.28	26.19	70.59	12.84	PRCISW6470T	75.25	86.50	68.63	83.91	39.99	52.38	70.59	25.68
PRCISW3280	37.63	95.50	33.09	92.91	21.35	26.19	79.59	14.47	PRCISW6480	75.25	95.50	68.63	92.91	44.28	52.38	79.59	28.95
PRCISW3280T	37.63	98.50	33.09	95.91	22.04	26.19	82.59	15.02	PRCISW6480T	75.25	98.50	68.63	95.91	45.71	52.38	82.59	30.04
PRCISW3290	37.63	107.50	33.09	104.91	24.11	26.19	91.59	16.66	PRCISW6490	75.25	107.50	68.63	104.91	49.99	52.38	91.59	33.31
PRCISW32100	37.63	119.50	33.09	116.91	26.87	26.19	103.59	18.84	PRCISW64100	75.25	119.50	68.63	116.91	55.71	52.38	103.59	37.68
PRCISW3668	41.63	79.50	37.09	76.91	19.81	30.19	63.59	13.33	PRCISW7068	83.25	79.50	76.63	76.91	40.92	60.38	63.59	26.66
PRCISW36611	41.63	82.50	37.09	79.91	20.58	30.19	66.59	13.96	PRCISW70611	83.25	82.50	76.63	79.91	42.52	60.38	66.59	27.92
PRCISW3670T	41.63	86.50	37.09	83.91	21.61	30.19	70.59	14.80	PRCISW7070T	83.25	86.50	76.63	83.91	44.65	60.38	70.59	29.60
PRCISW3680	41.63	95.50	37.09	92.91	23.93	30.19	79.59	16.69	PRCISW7080	83.25	95.50	76.63	92.91	49.44	60.38	79.59	33.37
PRCISW3680T	41.63	98.50	37.09	95.91	24.71	30.19	82.59	17.31	PRCISW7080T	83.25	98.50	76.63	95.91	51.03	60.38	82.59	34.63
PRCISW3690	41.63	107.50	37.09	104.91	27.02	30.19	91.59	19.20	PRCISW7090	83.25	107.50	76.63	104.91	55.82	60.38	91.59	38.40
PRCISW36100	41.63	119.50	37.09	116.91	30.11	30.19	103.59	21.72	PRCISW70100	83.25	119.50	76.63	116.91	62.21	60.38	103.59	43.43
PRCISW3868	43.63	79.50	39.09	76.91	20.88	32.19	63.59	14.21	PRCISW7468	87.25	79.50	80.63	76.91	43.06	64.38	63.59	28.43
PRCISW38611	43.63	82.50	39.09	79.91	21.69	32.19	66.59	14.89	PRCISW74611	87.25	82.50	80.63	79.91	44.74	64.38	66.59	29.77
PRCISW3870T	43.63	86.50	39.09	83.91	22.78	32.19	70.59	15.78	PRCISW7470T	87.25	86.50	80.63	83.91	46.98	64.38	70.59	31.56
PRCISW3880	43.63	95.50	39.09	92.91	25.22	32.19	79.59	17.79	PRCISW7480	87.25	95.50	80.63	92.91	52.02	64.38	79.59	35.58
PRCISW3880T	43.63	98.50	39.09	95.91	26.04	32.19	82.59	18.46	PRCISW7480T	87.25	98.50	80.63	95.91	53.70	64.38	82.59	36.92
PRCISW3890	43.63	107.50	39.09	104.91	28.48	32.19	91.59	20.47	PRCISW7490	87.25	107.50	80.63	95.91	53.70	64.38	82.59	36.92
PRCISW38100	43.63	119.50	39.09	116.91	31.74	32.19	103.59	23.16	PRCISW74100	87.25	119.50	80.63	95.91	53.70	64.38	82.59	36.92

Venting Sidelight								
Unit Number Bookcode	Frame Width	Frame Height	Clear Opening Width	Clear Opening Height	Vent Area Sq. Ft.	Daylight Opening Width	Daylight Opening Height	Sq. Ft. Daylight Opening
PRCISW1268	14.63	79.50	10.02	76.84	5.35	7.94	63.59	3.51
PRCISW12611	14.63	82.50	10.02	79.84	5.56	7.94	66.59	3.67
PRCISW1270T	14.63	86.50	10.02	83.84	5.84	7.94	70.59	3.89
PRCISW1280	14.63	95.50	10.02	92.84	6.46	7.94	79.59	4.39
PRCISW1468	16.63	79.50	12.02	76.84	6.42	9.94	63.59	4.39
PRCISW14611	16.63	82.50	12.02	79.84	6.67	9.94	66.59	4.60
PRCISW1470T	16.63	86.50	12.02	83.84	7.00	9.94	70.59	4.87
PRCISW1480	16.63	95.50	12.02	92.84	7.75	9.94	79.59	5.49
PRCISW1668	18.63	79.50	14.02	76.84	7.48	11.94	63.59	5.27
PRCISW16611	18.63	82.50	14.02	79.84	7.78	11.94	66.59	5.52
PRCISW1670T	18.63	86.50	14.02	83.84	8.16	11.94	70.59	5.85
PRCISW1680	18.63	95.50	14.02	92.84	9.04	11.94	79.59	6.60

Notes:
[1] Assumes PG35 Sill, subtract 5/8" for PG50 Sill
[2] Assumes a French Door configuration
[3] Assumes a configuration with a French Door and a single flanking stationary panel
[4] Assumes a configuration with a French Door and two flanking stationary panels

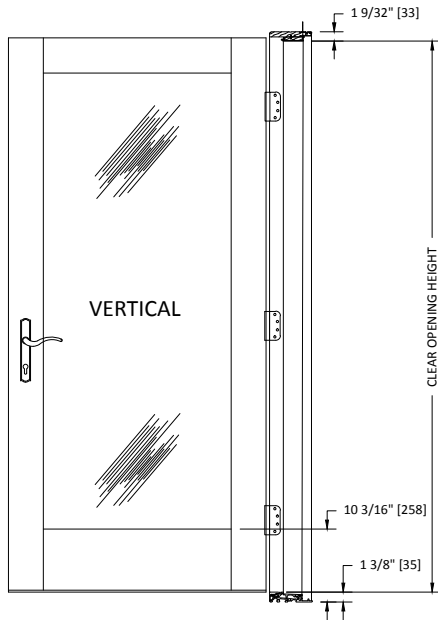
**CLEAR OPENING DESIGN DATA TABLES
3 & 4 PANEL**

Three Panel [3]										Four Panel [4]								
Unit Number Bookcode	Frame Width	Frame Height	Clear Opening Width [3]	Clear Opening Height [1]	Vent Area Sq. Ft.	Daylight Opening Width	Daylight Opening Height	Sq. Ft. Daylight Opening	Unit Number Bookcode	Frame Width	Frame Height	Clear Opening Width [4]	Clear Opening Height [1]	Vent Area Sq. Ft.	Daylight Opening Width	Daylight Opening Height	Sq. Ft. Daylight Opening	
PRCISW6068-3	70.88	79.50	40.63	76.91	21.70	36.56	63.59	16.15	PRCISW8068-4	94.50	79.50	40.63	76.91	21.70	48.75	63.59	21.53	
PRCISW60611-3	70.88	82.50	40.63	79.91	22.54	36.56	66.59	16.91	PRCISW80611-4	94.50	82.50	40.63	79.91	22.54	48.75	66.59	22.54	
PRCISW6070T-3	70.88	86.50	40.63	83.91	23.67	36.56	70.59	17.92	PRCISW8070T-4	94.50	86.50	40.63	83.91	23.67	48.75	70.59	23.90	
PRCISW6080-3	70.88	95.50	40.63	92.91	26.21	36.56	79.59	20.21	PRCISW8080-4	94.50	95.50	40.63	92.91	26.21	48.75	79.59	26.95	
PRCISW6080T-3	70.88	98.50	40.63	95.91	27.06	36.56	82.59	20.97	PRCISW8080T-4	94.50	98.50	40.63	95.91	27.06	48.75	82.59	27.96	
PRCISW6090-3	70.88	107.50	40.63	104.91	29.60	36.56	91.59	23.26	PRCISW8090-4	94.50	107.50	40.63	104.91	29.60	48.75	91.59	31.01	
PRCISW60100-3	70.88	119.50	40.63	116.91	32.98	36.56	103.59	26.30	PRCISW80100-4	94.50	119.50	40.63	116.91	32.98	48.75	103.59	35.07	
PRCISW7668-3	88.88	79.50	52.63	76.91	28.11	54.56	63.59	24.10	PRCISW10068-4	118.50	79.50	52.63	76.91	28.11	72.75	63.59	32.13	
PRCISW76611-3	88.88	82.50	52.63	79.91	29.20	54.56	66.59	25.23	PRCISW100611-4	118.50	82.50	52.63	79.91	29.20	72.75	66.59	33.64	
PRCISW7670T-3	88.88	86.50	52.63	83.91	30.66	54.56	70.59	26.75	PRCISW10070T-4	118.50	86.50	52.63	83.91	30.66	72.75	70.59	35.66	
PRCISW7680-3	88.88	95.50	52.63	92.91	33.95	54.56	79.59	30.16	PRCISW10080-4	118.50	95.50	52.63	92.91	33.95	72.75	79.59	40.21	
PRCISW7680T-3	88.88	98.50	52.63	95.91	35.05	54.56	82.59	31.30	PRCISW10080T-4	118.50	98.50	52.63	95.91	35.05	72.75	82.59	41.73	
PRCISW7690-3	88.88	107.50	52.63	104.91	38.34	54.56	91.59	34.71	PRCISW10090-4	118.50	107.50	52.63	104.91	38.34	72.75	91.59	46.27	
PRCISW76100-3	88.88	119.50	52.63	116.91	42.72	54.56	103.59	39.25	PRCISW100100-4	118.50	119.50	52.63	116.91	42.72	72.75	103.59	52.34	
PRCISW8068-3	94.88	79.50	56.63	76.91	30.24	60.56	63.59	26.75	PRCISW10668-4	126.50	79.50	56.63	76.91	30.24	80.75	63.59	35.66	
PRCISW80611-3	94.88	82.50	56.63	79.91	31.42	60.56	66.59	28.01	PRCISW106611-4	126.50	82.50	56.63	79.91	31.42	80.75	66.59	37.34	
PRCISW8070T-3	94.88	86.50	56.63	83.91	32.99	60.56	70.59	29.69	PRCISW10670T-4	126.50	86.50	56.63	83.91	32.99	80.75	70.59	39.59	
PRCISW8080-3	94.88	95.50	56.63	92.91	36.53	60.56	79.59	33.47	PRCISW10680-4	126.50	95.50	56.63	92.91	36.53	80.75	79.59	44.63	
PRCISW8080T-3	94.88	98.50	56.63	95.91	37.71	60.56	82.59	34.74	PRCISW10680T-4	126.50	98.50	56.63	95.91	37.71	80.75	82.59	46.32	
PRCISW8090-3	94.88	107.50	56.63	104.91	41.25	60.56	91.59	38.52	PRCISW10690-4	126.50	107.50	56.63	104.91	41.25	80.75	91.59	51.36	
PRCISW80100-3	94.88	119.50	56.63	116.91	45.97	60.56	103.59	43.57	PRCISW106100-4	126.50	119.50	56.63	116.91	45.97	80.75	103.59	58.09	
PRCISW9068-3	106.88	79.50	64.63	76.91	34.51	72.56	63.59	32.05	PRCISW12068-4	142.50	79.50	64.63	76.91	34.51	96.75	63.59	42.73	
PRCISW90611-3	106.88	82.50	64.63	79.91	35.86	72.56	66.59	33.56	PRCISW120611-4	142.50	82.50	64.63	79.91	35.86	96.75	66.59	44.74	
PRCISW9070T-3	106.88	86.50	64.63	83.91	37.66	72.56	70.59	35.57	PRCISW12070T-4	142.50	86.50	64.63	83.91	37.66	96.75	70.59	47.43	
PRCISW9080-3	106.88	95.50	64.63	92.91	41.69	72.56	79.59	40.11	PRCISW12080-4	142.50	95.50	64.63	92.91	41.69	96.75	79.59	53.48	
PRCISW9080T-3	106.88	98.50	64.63	95.91	43.04	72.56	82.59	41.62	PRCISW12080T-4	142.50	98.50	64.63	95.91	43.04	96.75	82.59	55.49	
PRCISW9090-3	106.88	107.50	64.63	104.91	47.08	72.56	91.59	46.15	PRCISW12090-4	142.50	107.50	64.63	104.91	47.08	96.75	91.59	61.54	
PRCISW90100-3	106.88	119.50	64.63	116.91	52.47	72.56	103.59	52.20	PRCISW120100-4	142.50	119.50	64.63	116.91	52.47	96.75	103.59	69.60	
PRCISW9668-3	112.88	79.50	68.63	76.91	36.65	78.56	63.59	34.70	PRCISW12668-4	150.50	79.50	68.63	76.91	36.65	104.75	63.59	46.26	
PRCISW96611-3	112.88	82.50	68.63	79.91	38.08	78.56	66.59	36.33	PRCISW126611-4	150.50	82.50	68.63	79.91	38.08	104.75	66.59	48.44	
PRCISW9670T-3	112.88	86.50	68.63	83.91	39.99	78.56	70.59	38.51	PRCISW12670T-4	150.50	86.50	68.63	83.91	39.99	104.75	70.59	51.35	
PRCISW9680-3	112.88	95.50	68.63	92.91	44.28	78.56	79.59	43.42	PRCISW12680-4	150.50	95.50	68.63	92.91	44.28	104.75	79.59	57.90	
PRCISW9680T-3	112.88	98.50	68.63	95.91	45.71	78.56	82.59	45.06	PRCISW12680T-4	150.50	98.50	68.63	95.91	45.71	104.75	82.59	60.08	
PRCISW9690-3	112.88	107.50	68.63	104.91	49.99	78.56	91.59	49.97	PRCISW12690-4	150.50	107.50	68.63	104.91	49.99	104.75	91.59	66.63	
PRCISW96100-3	112.88	119.50	68.63	116.91	55.71	78.56	103.59	56.52	PRCISW126100-4	150.50	119.50	68.63	116.91	55.71	104.75	103.59	75.36	
PRCISW10668-3	124.88	79.50	76.63	76.91	40.92	90.56	63.59	39.99	PRCISW14068-4	166.50	79.50	76.63	76.91	40.92	120.75	63.59	53.33	
PRCISW106611-3	124.88	82.50	76.63	79.91	42.52	90.56	66.59	41.88	PRCISW140611-4	166.50	82.50	76.63	79.91	42.52	120.75	66.59	55.84	
PRCISW10670T-3	124.88	86.50	76.63	83.91	44.65	90.56	70.59	44.40	PRCISW14070T-4	166.50	86.50	76.63	83.91	44.65	120.75	70.59	59.20	
PRCISW10680-3	124.88	95.50	76.63	92.91	49.44	90.56	79.59	50.06	PRCISW14080-4	166.50	95.50	76.63	92.91	49.44	120.75	79.59	66.74	
PRCISW10680T-3	124.88	98.50	76.63	95.91	51.03	90.56	82.59	51.94	PRCISW14080T-4	166.50	98.50	76.63	95.91	51.03	120.75	82.59	69.26	
PRCISW10690-3	124.88	107.50	76.63	104.91	55.82	90.56	91.59	57.60	PRCISW14090-4	166.50	107.50	76.63	104.91	55.82	120.75	91.59	76.81	
PRCISW106100-3	124.88	119.50	76.63	116.91	62.21	90.56	103.59	65.15	PRCISW140100-4	166.50	119.50	76.63	116.91	62.21	120.75	103.59	86.87	
PRCISW11068-3	130.88	79.50	80.63	76.91	43.06	96.56	63.59	42.64	PRCISW14668-4	174.50	79.50	80.63	76.91	43.06	128.75	63.59	56.86	
PRCISW110611-3	130.88	82.50	80.63	79.91	44.74	96.56	66.59	44.66	PRCISW146611-4	174.50	82.50	80.63	79.91	44.74	128.75	66.59	59.54	
PRCISW11070T-3	130.88	86.50	80.63	83.91	46.98	96.56	70.59	47.34	PRCISW14670T-4	174.50	86.50	80.63	83.91	46.98	128.75	70.59	63.12	
PRCISW11080-3	130.88	95.50	80.63	92.91	52.02	96.56	79.59	53.37	PRCISW14680-4	174.50	95.50	80.63	92.91	52.02	128.75	79.59	71.16	
PRCISW11080T-3	130.88	98.50	80.63	95.91	53.70	96.56	82.59	55.39	PRCISW14680T-4	174.50	98.50	80.63	95.91	53.70	128.75	82.59	73.85	
PRCISW11090-3	130.88	107.50	80.63	95.91	53.70	96.56	82.59	55.39	PRCISW14690-4	174.50	107.50	80.63	95.91	53.70	128.75	82.59	73.85	
PRCISW110100-3	130.88	119.50	80.63	95.91	53.70	96.56	82.59	55.39	PRCISW146100-4	174.50	119.50	80.63	95.91	53.70	128.75	82.59	73.85	

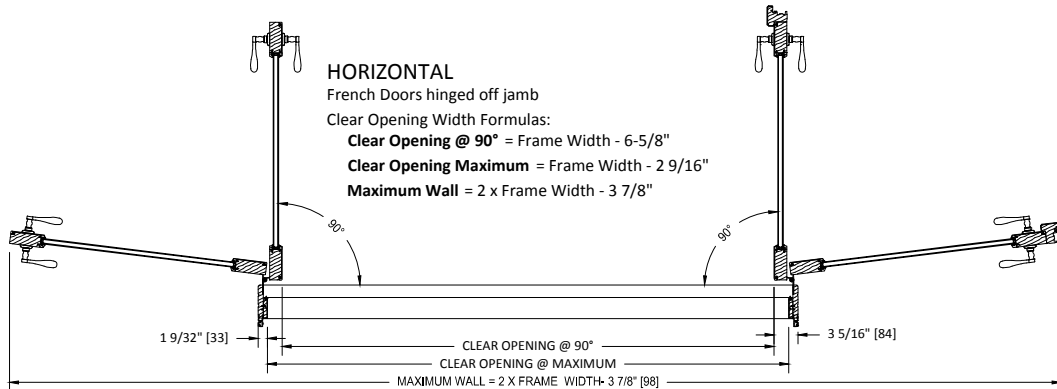
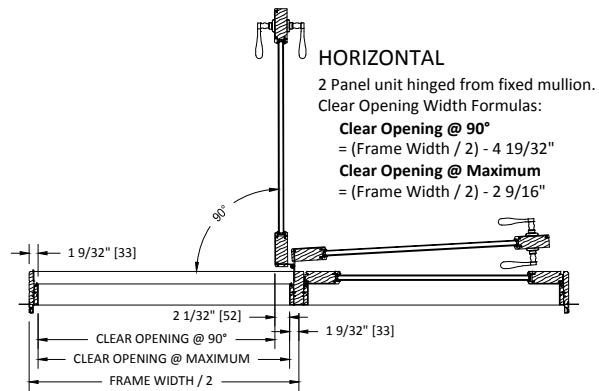
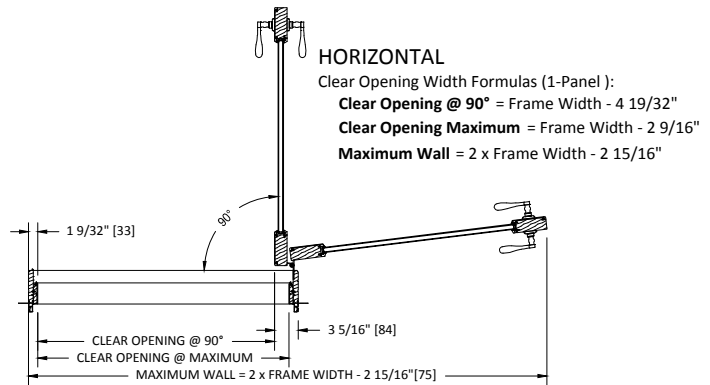
Notes:

- [1] Assumes PG35 Sill, subtract 5/8" for PG50 Sill
- [2] Assumes a French Door configuration
- [3] Assumes a configuration with a French Door and a single flanking stationary panel
- [4] Assumes a configuration with a French Door and two flanking stationary panels

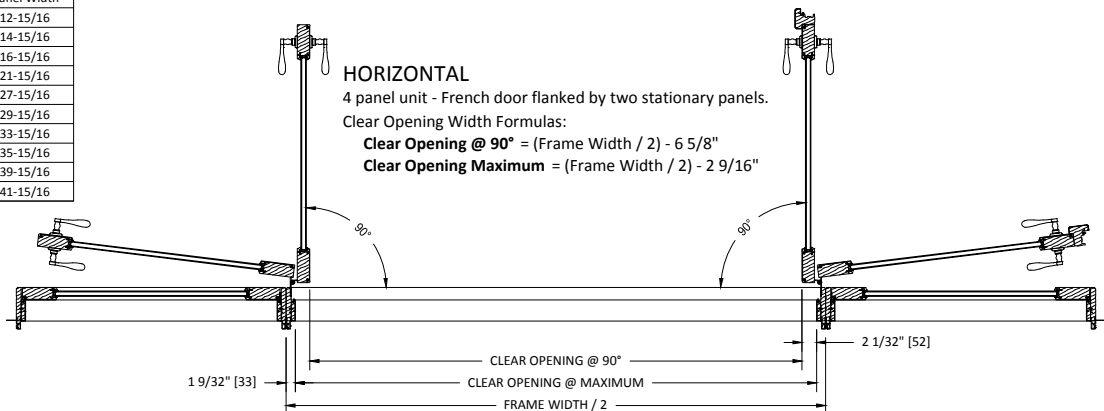
CLEAR OPENING LAYOUT



VERTICAL
 Clear Opening Height Formulas:
 With DP35 Sill
Clear Opening Height = Frame Height - $2\ 21/32''$



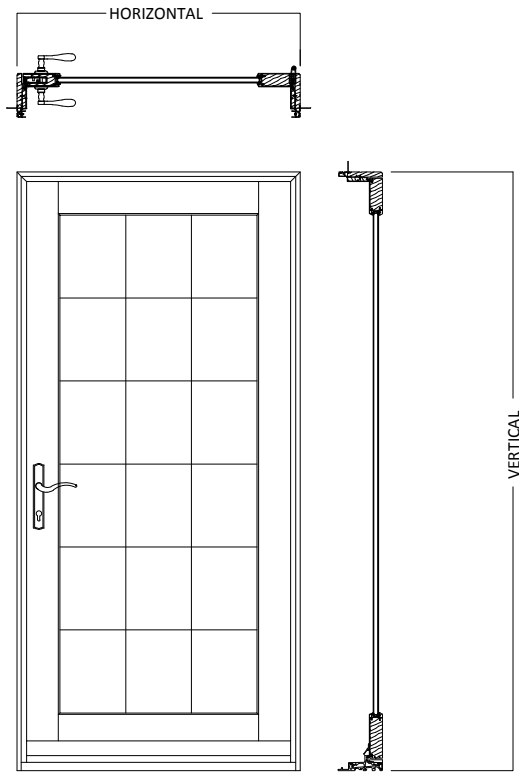
Panel Callout	Panel Width
1-2	12-15/16
1-4	14-15/16
1-6	16-15/16
2-0	21-15/16
2-6	27-15/16
2-8	29-15/16
3-0	33-15/16
3-2	35-15/16
3-6	39-15/16
3-8	41-15/16



UNIT SIZING
ROUGH OPENINGS AND MASONRY OPENINGS

STANDARD OFFERING

DRIP CAP & NAILING FLANGE



GENERAL NOTES:

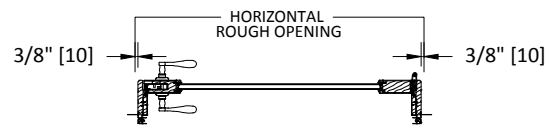
ROUGH OPENING HEIGHT IS ALWAYS
FRAME SIZE + 1/2"

ROUGH OPENING WIDTH IS ALWAYS
FRAME SIZE + 3/4"

MASONRY OPENING:
MASONRY OPENING IS ALWAYS 1/2" OVER
THE UNIT SIZE OF THE DOOR

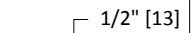
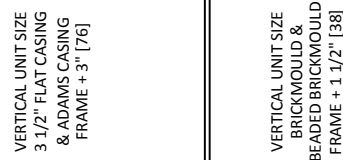
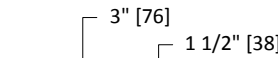
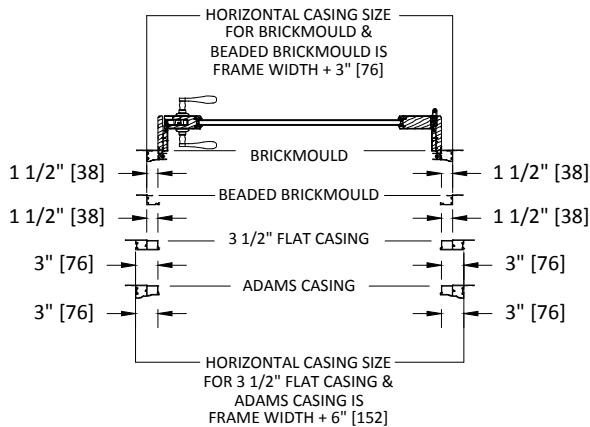
ROUGH OPENING:

DRIP CAP & NAILING FLANGE

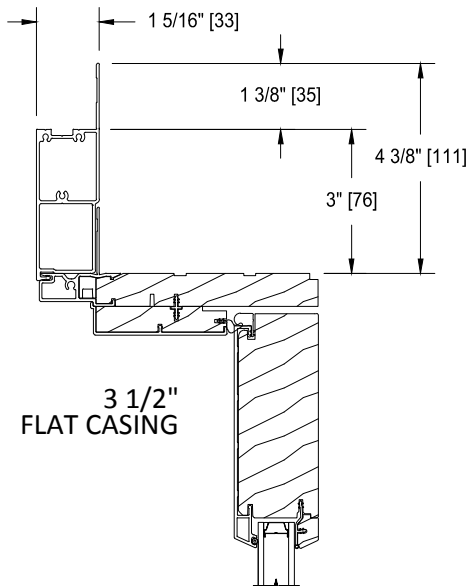
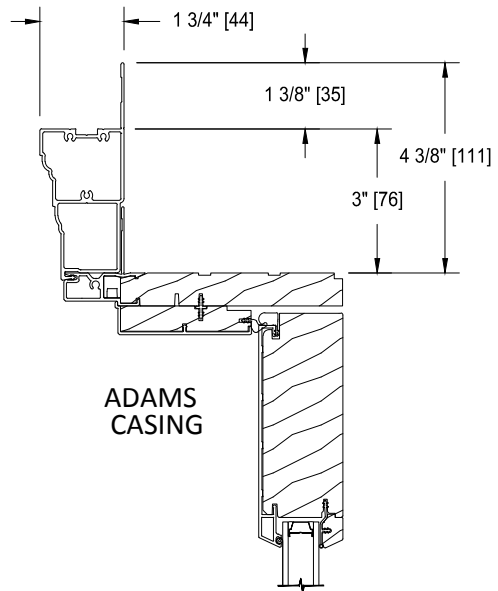
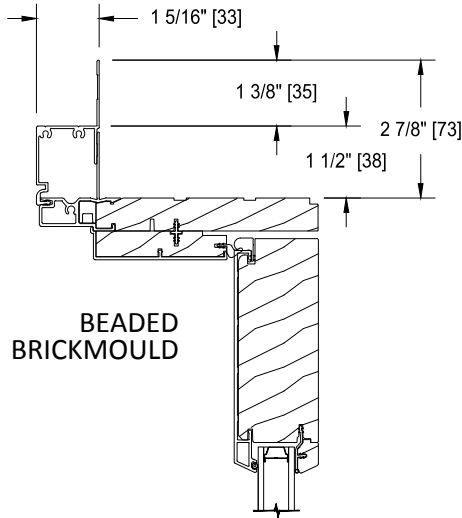
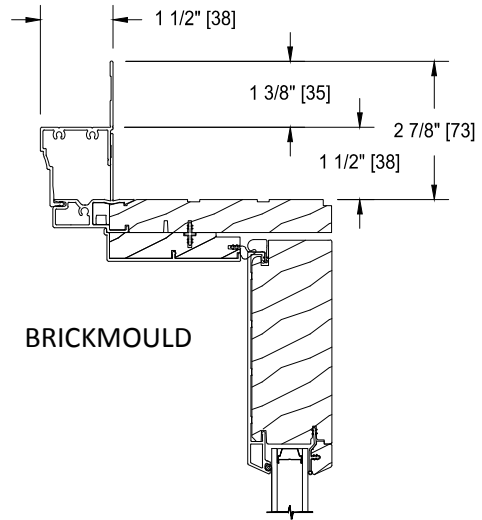
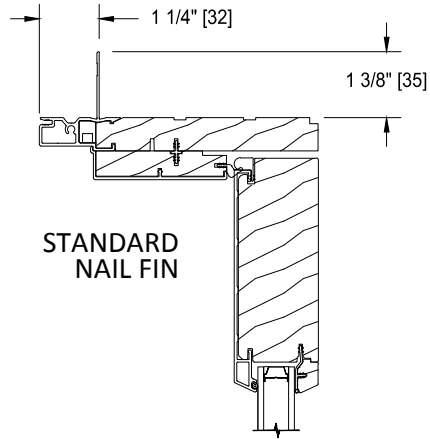


UNIT SIZE

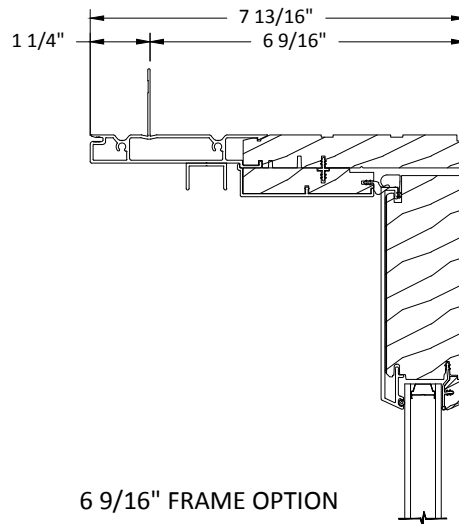
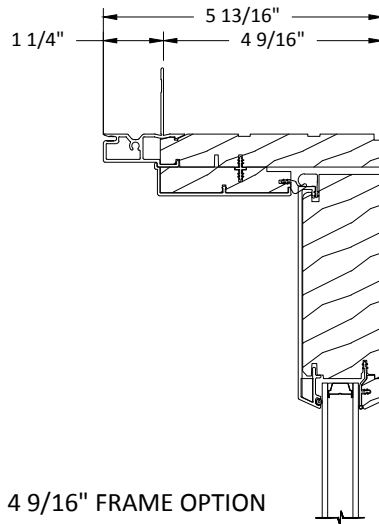
FRAME TO EXTERIOR TRIM (UNIT) SIZE



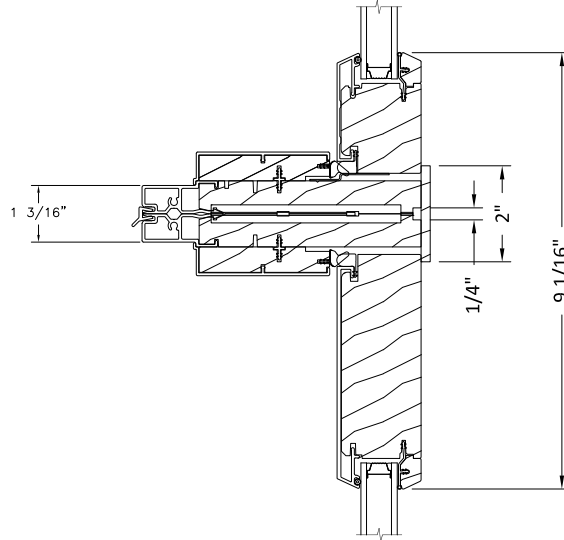
TRIM OPTIONS



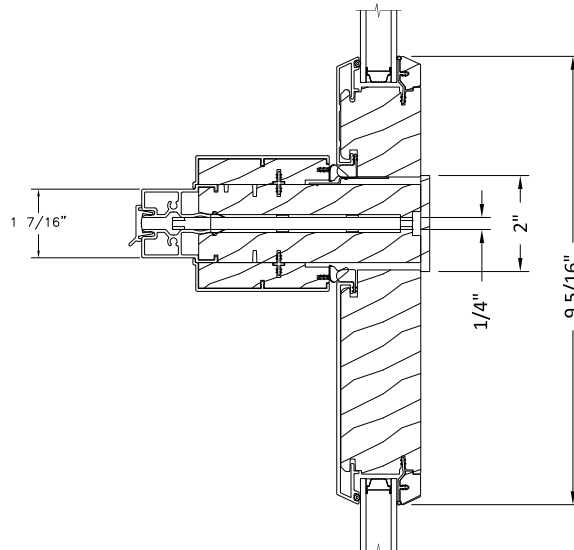
FRAME OPTIONS



MULLION OPTIONS

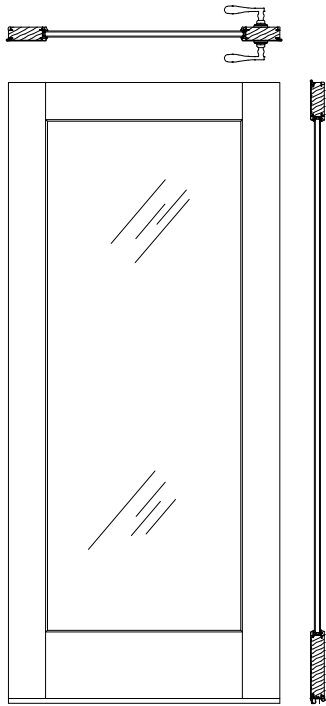


**VERTICAL MULLION SECTION
TRANSOM OVER WIDE STILE UNIT**

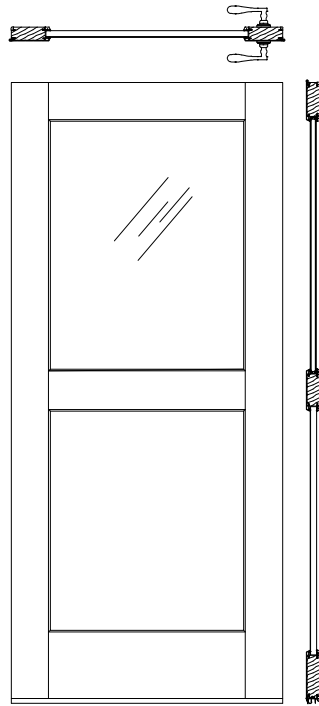


**VERTICAL MULLION SECTION
TRANSOM OVER WIDE STILE UNIT
WITH 1/4" REINFORCEMENT**

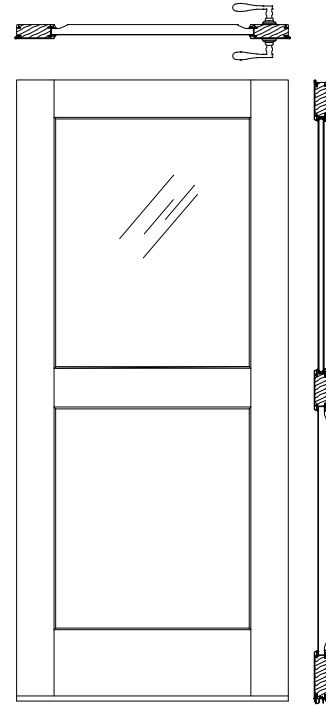
RAISED PANEL OPTIONS



STANDARD GLAZED PANEL

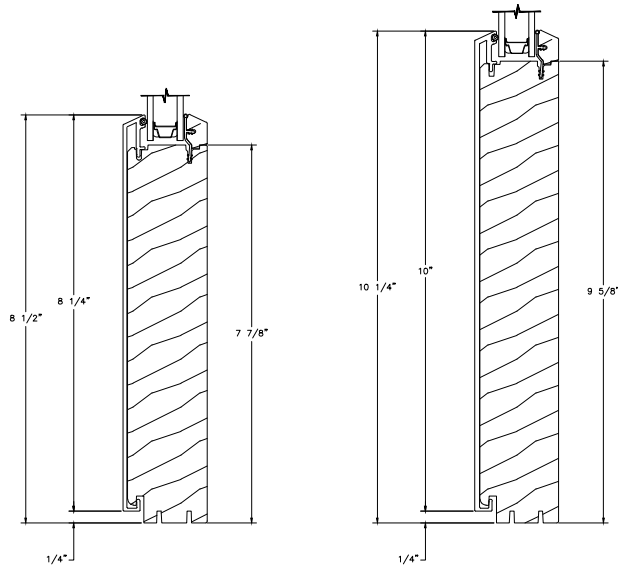


OPTION 1
INTERIOR FLAT PANEL -
EXTERIOR FLAT PANEL



OPTION 2
INTERIOR RAISED PANEL -
EXTERIOR FLAT PANEL

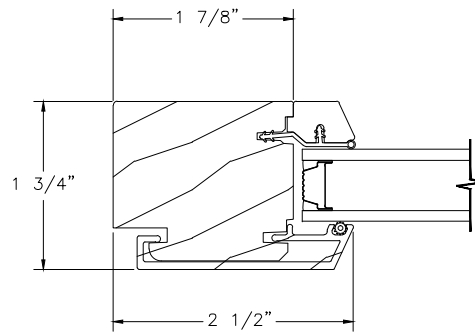
BOTTOM RAIL OPTIONS



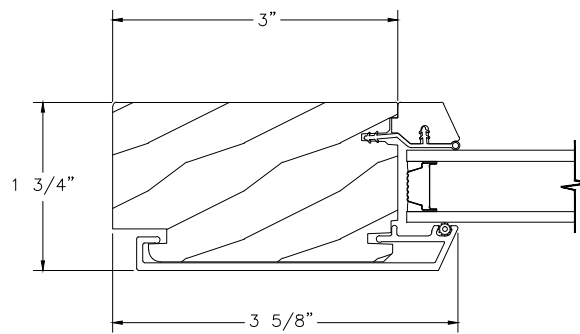
8 1/4" BOTTOM RAIL

10" BOTTOM RAIL

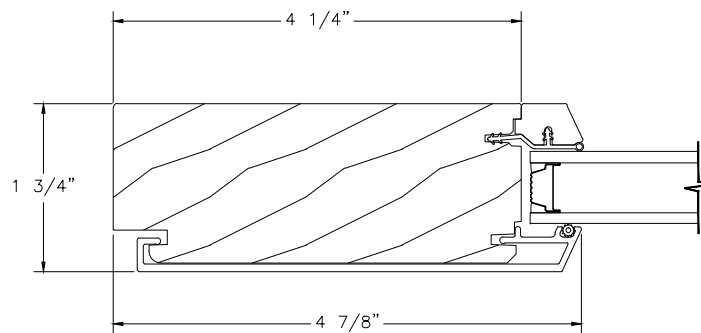
STILE OPTIONS



SIDELITE STILE

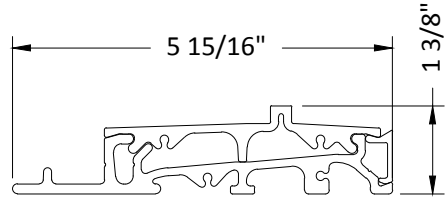


NARROW STILE

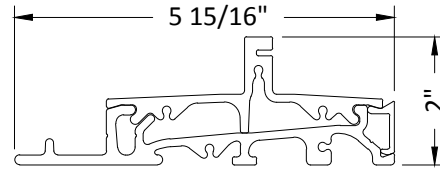


WIDE STILE

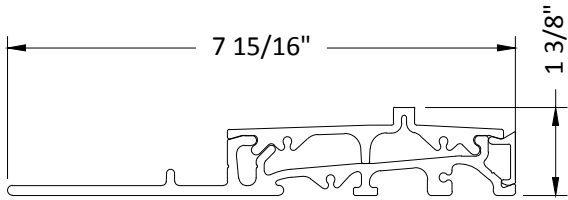
SILL OPTIONS



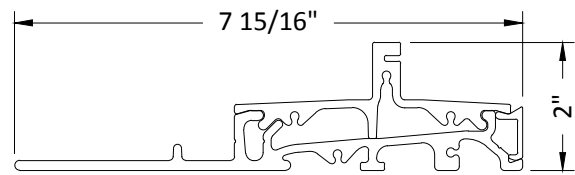
4 9/16" DP35 SILL OPTION



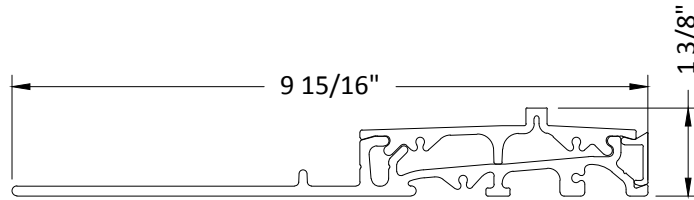
4 9/16" DP50 SILL OPTION



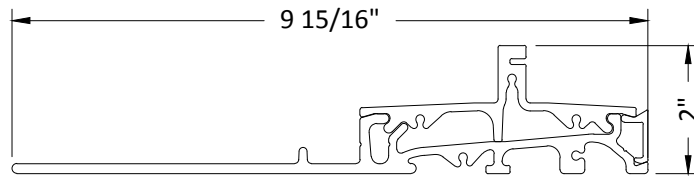
6 9/16" DP35 SILL OPTION



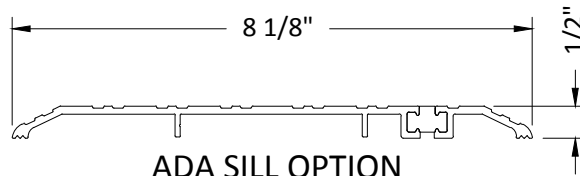
6 9/16" DP50 SILL OPTION



9" DP35 SILL OPTION

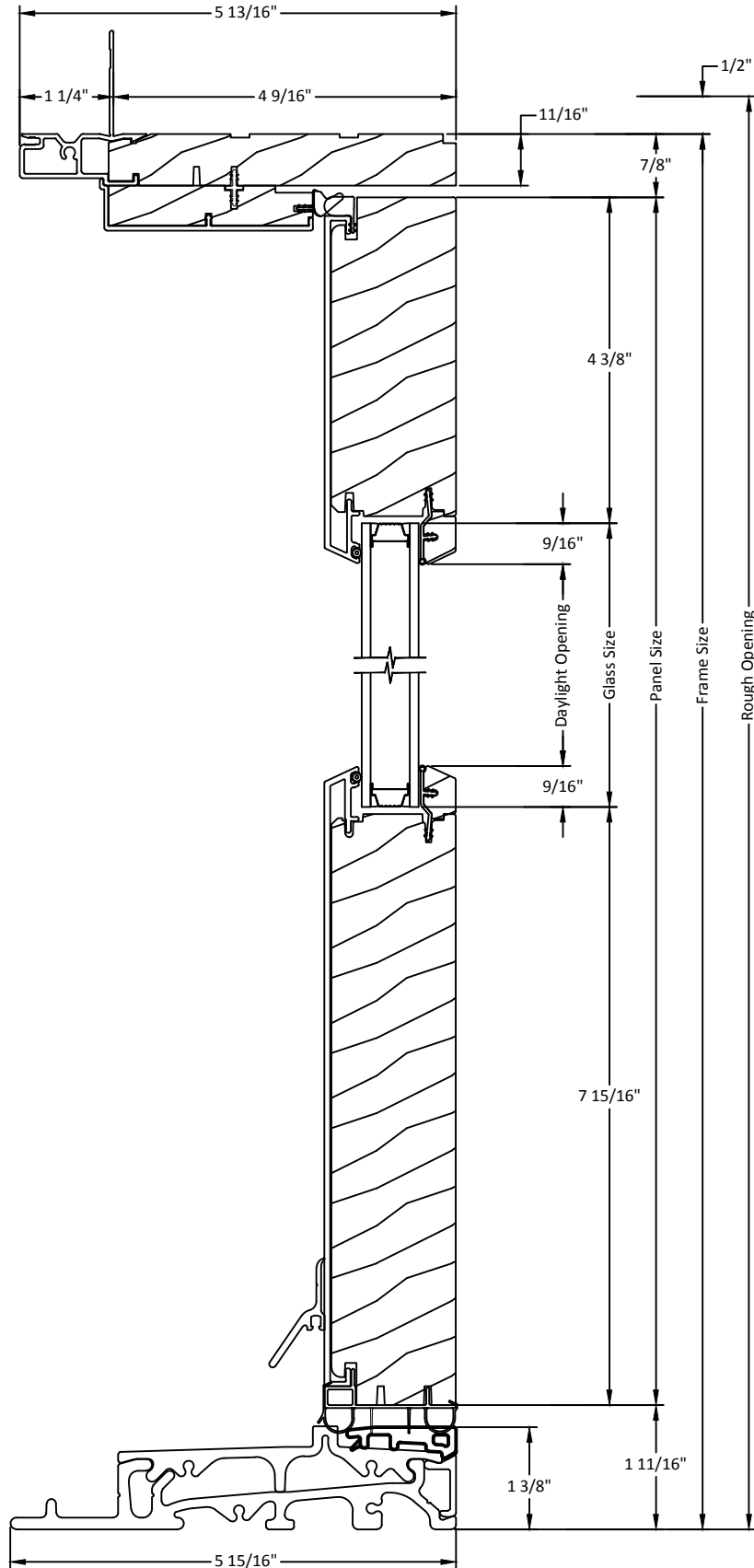


9" DP50 SILL OPTION

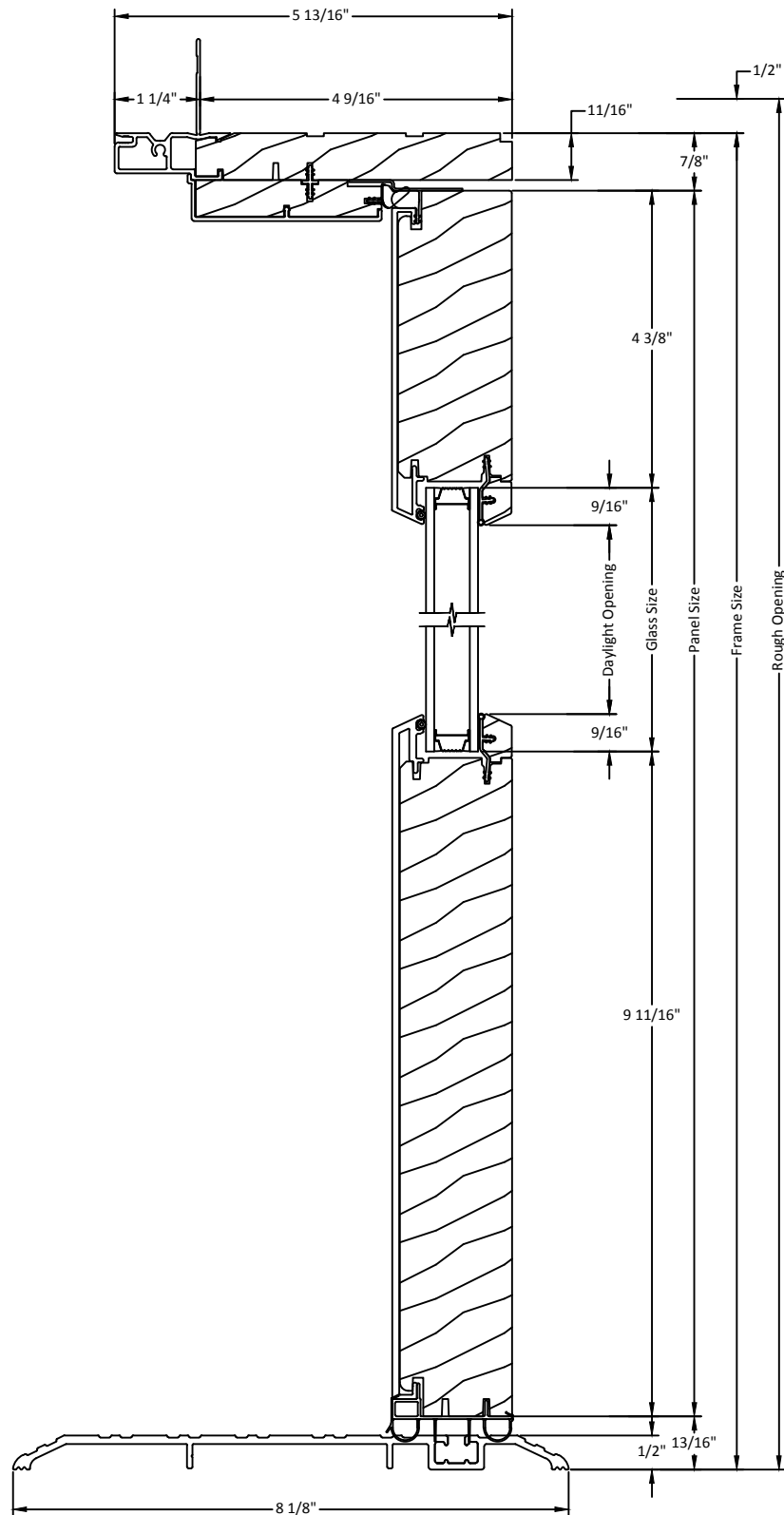


ADA SILL OPTION

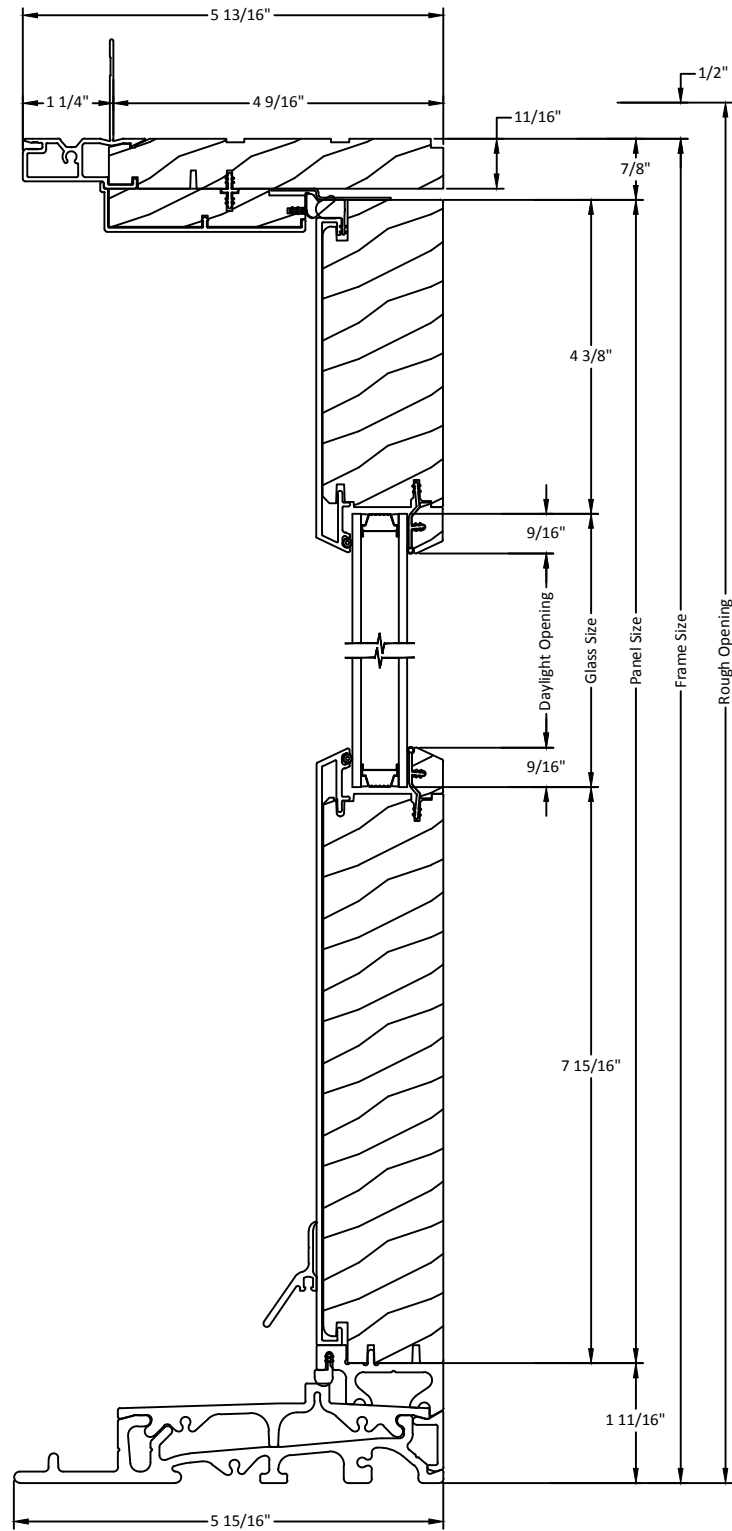
VERTICAL SECTION
DP35 SILL



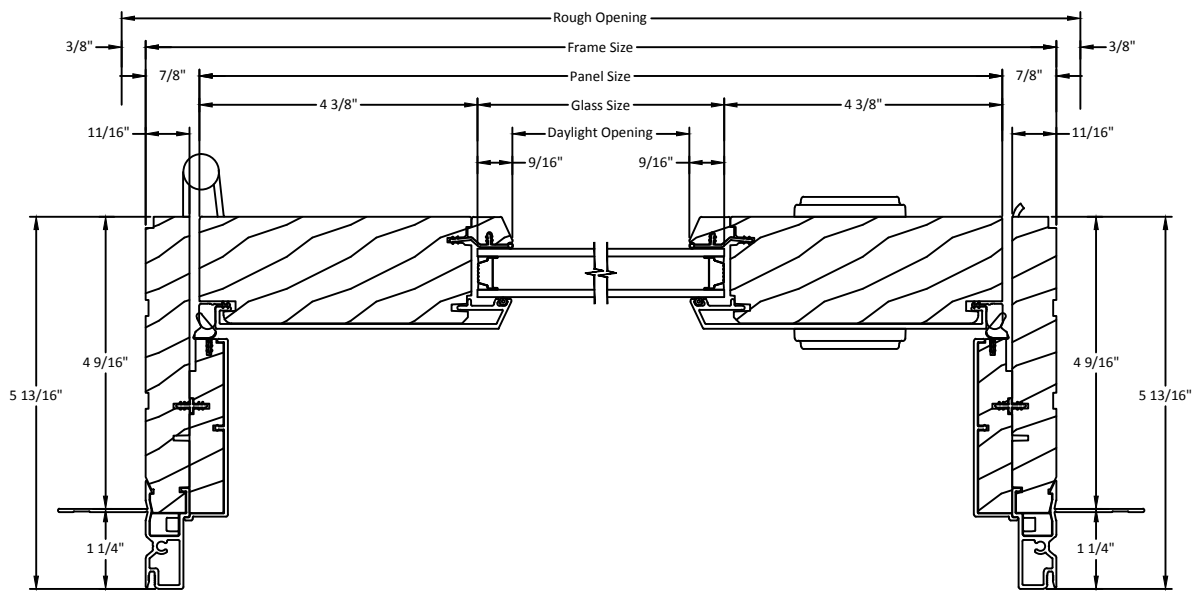
VERTICAL SECTION
ADA SILL



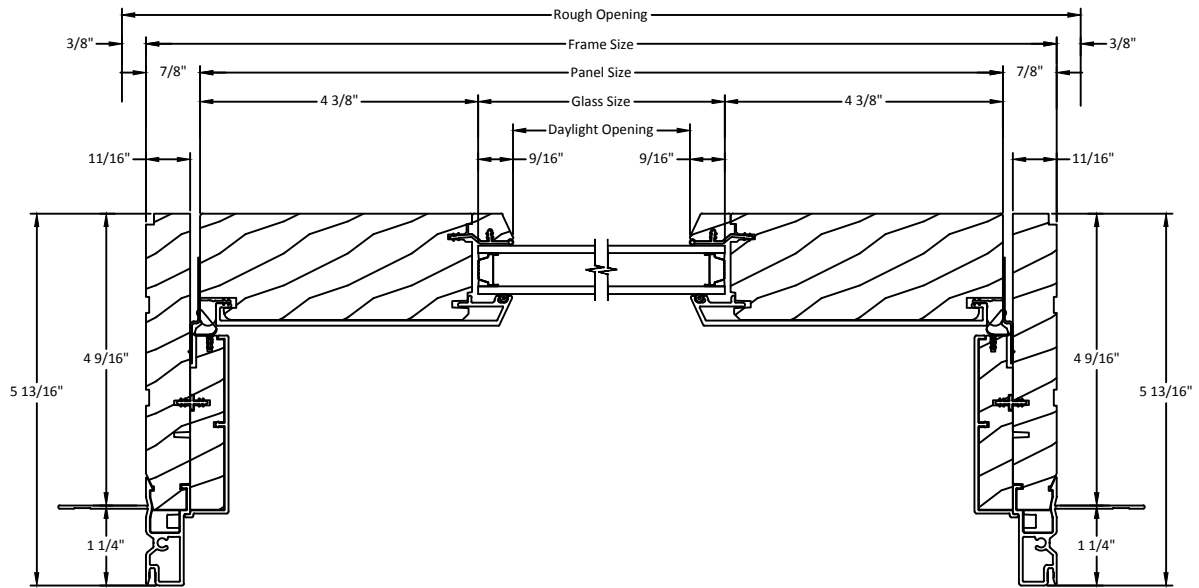
VERTICAL SECTION
DP35 STATIONARY



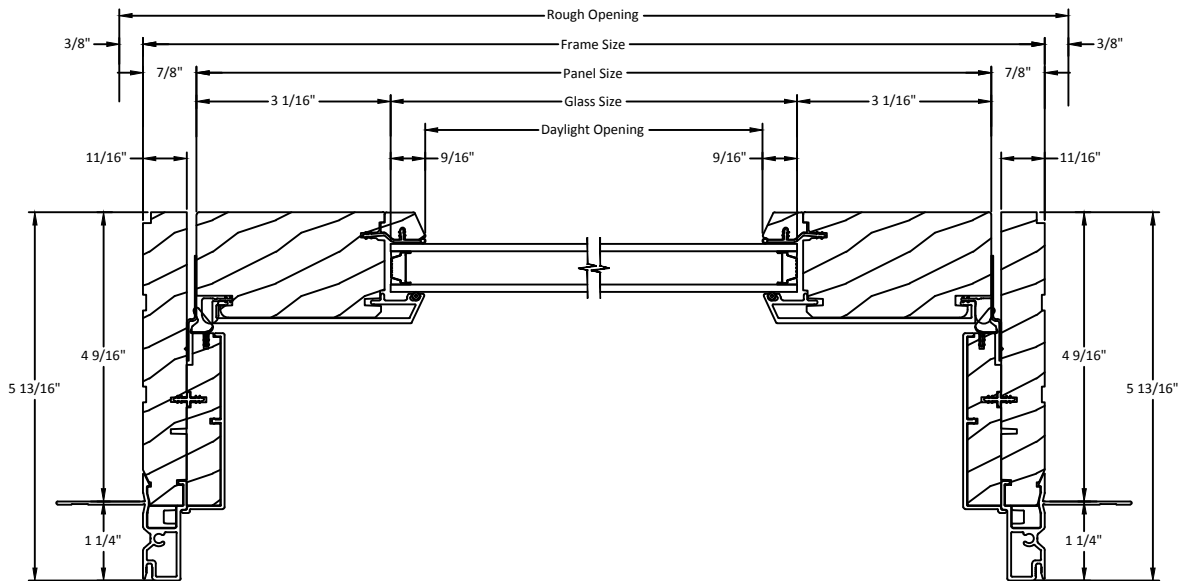
HORIZONTAL SECTION
WIDE STILE 1 PANEL



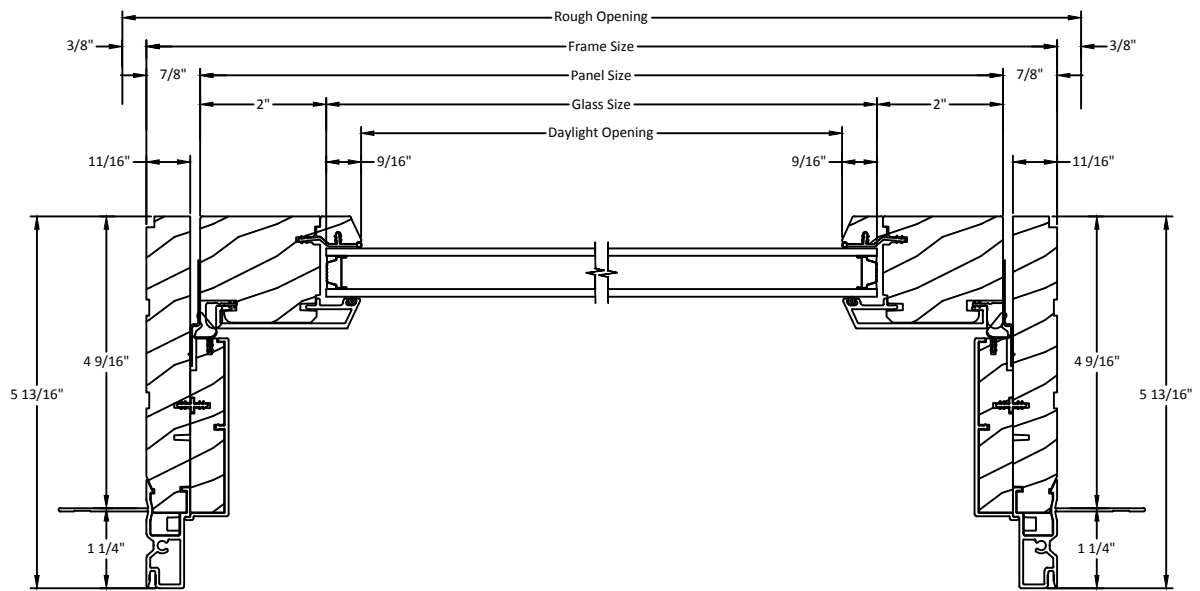
HORIZONTAL SECTION
WIDE STILE STATIONARY



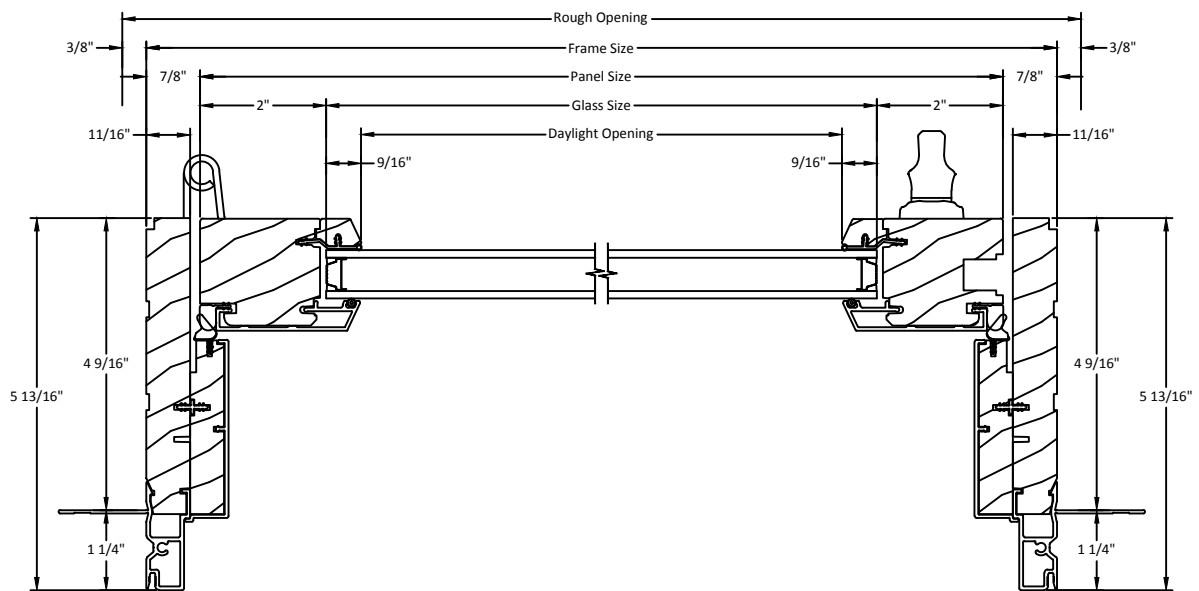
HORIZONTAL SECTION
NARROW STILE STATIONARY



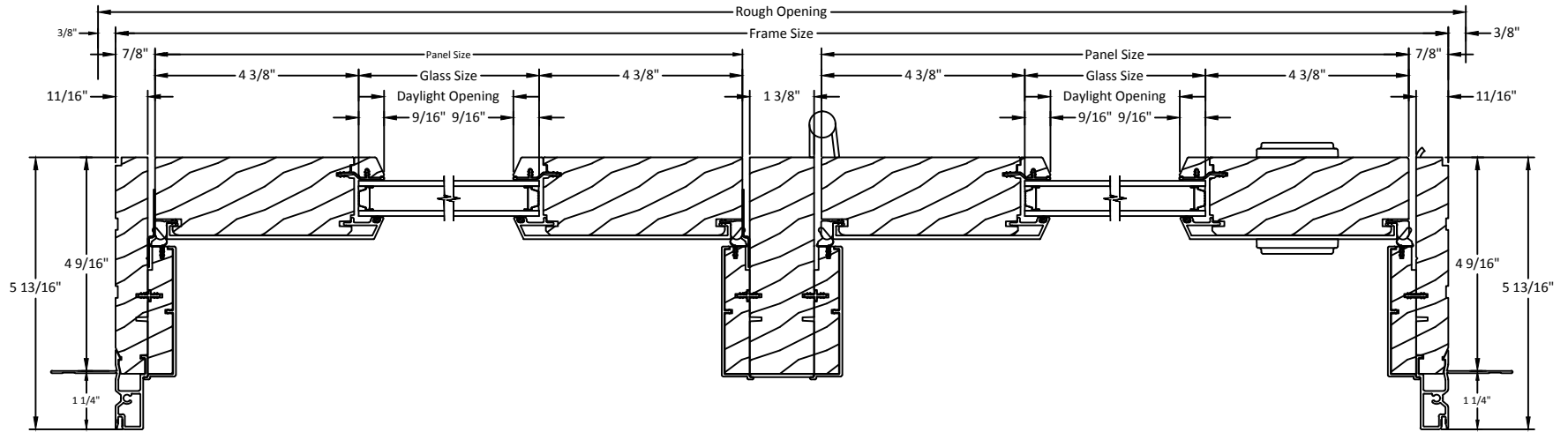
HORIZONTAL SECTION
SIDELITE STILE STATIONARY



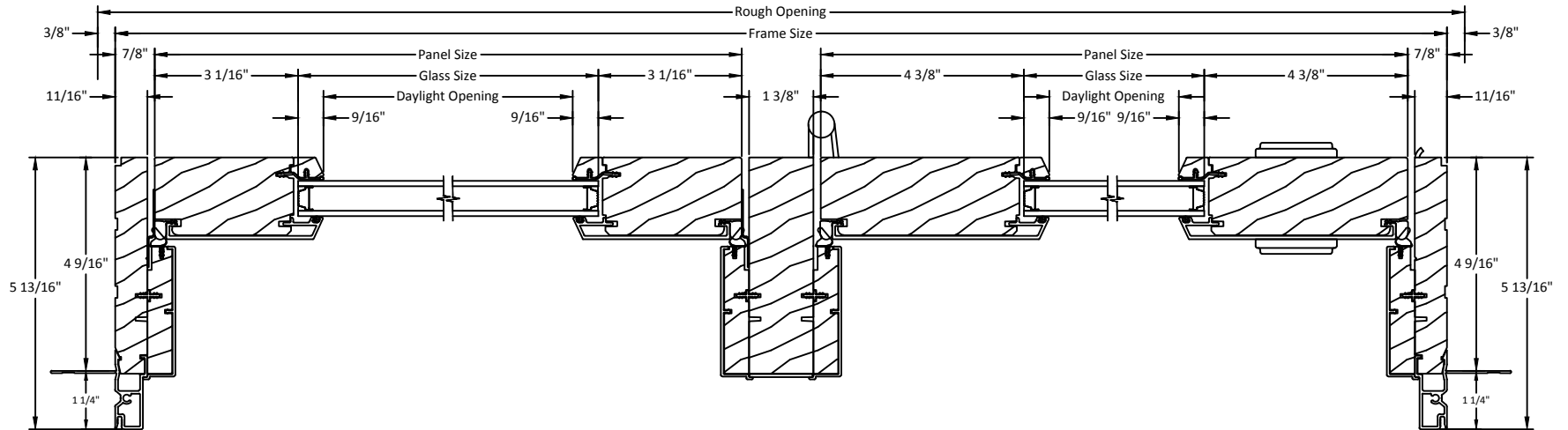
HORIZONTAL SECTION
VENTING SIDELITE



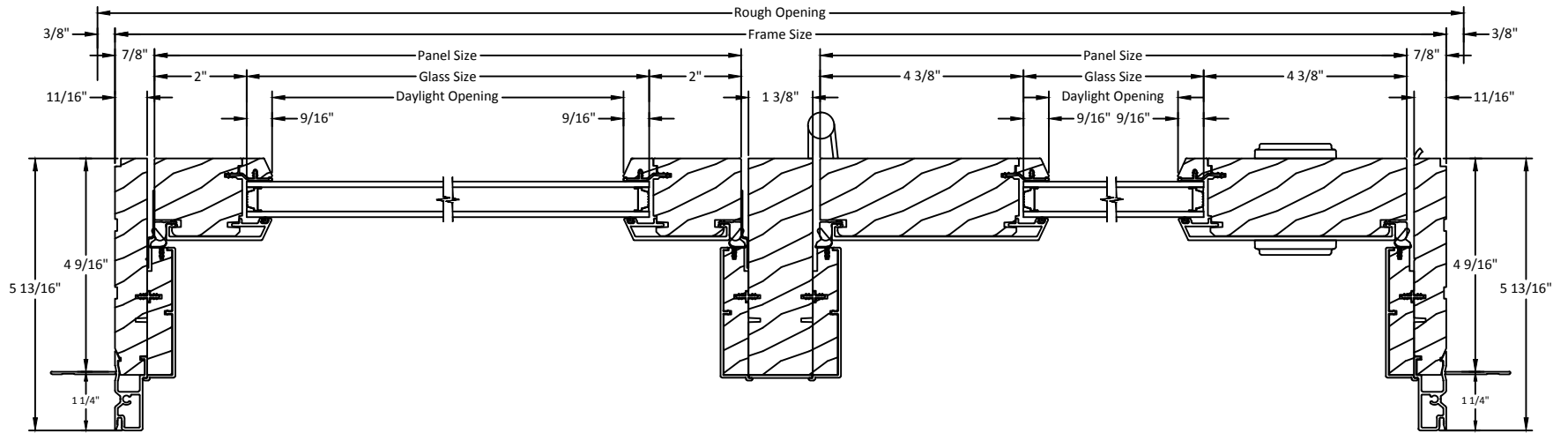
HORIZONTAL SECTION
CENTER HINGED WIDE STILE 2 PANEL



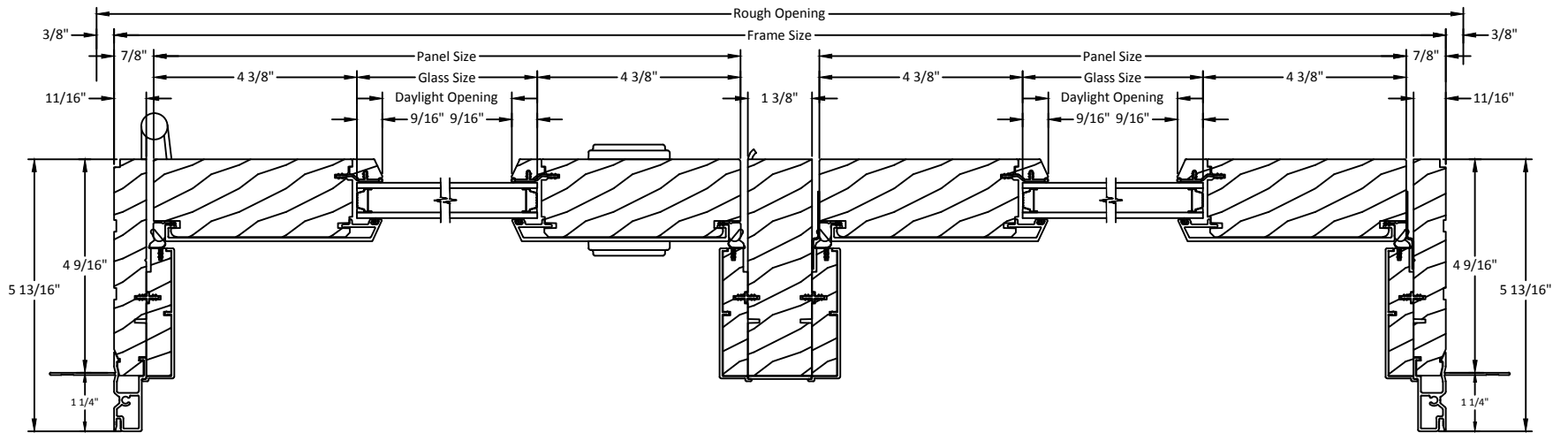
HORIZONTAL SECTION
CENTER HINGED NARROW/WIDE STILE 2
PANEL



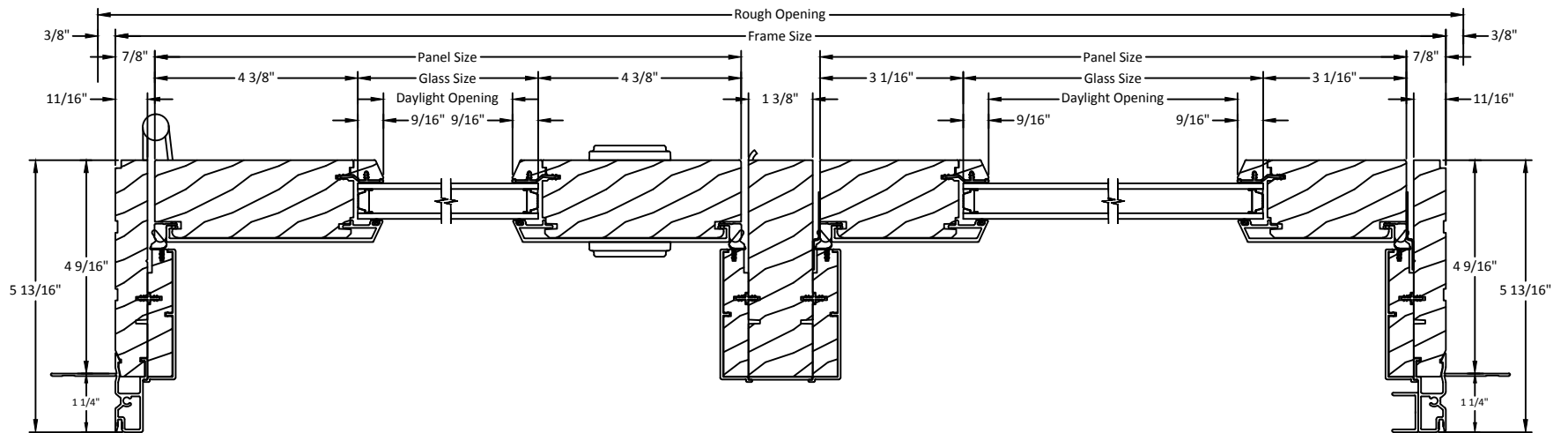
HORIZONTAL SECTION
CENTER HINGED SIDELITE/WIDE STILE 2
PANEL



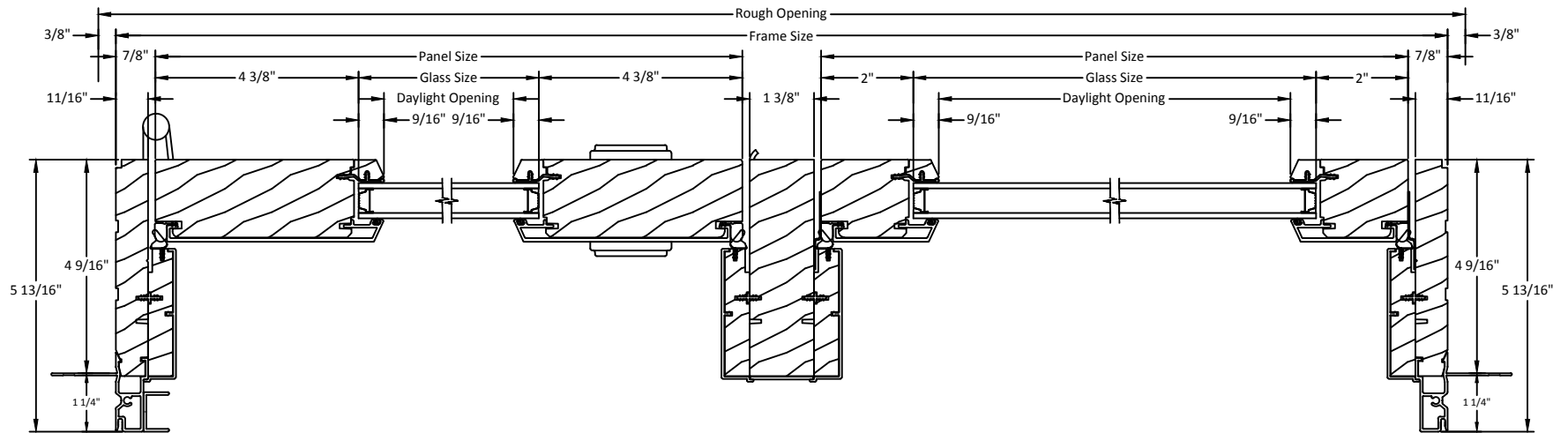
HORIZONTAL SECTION
SIDE HINGED WIDE STILE 2 PANEL



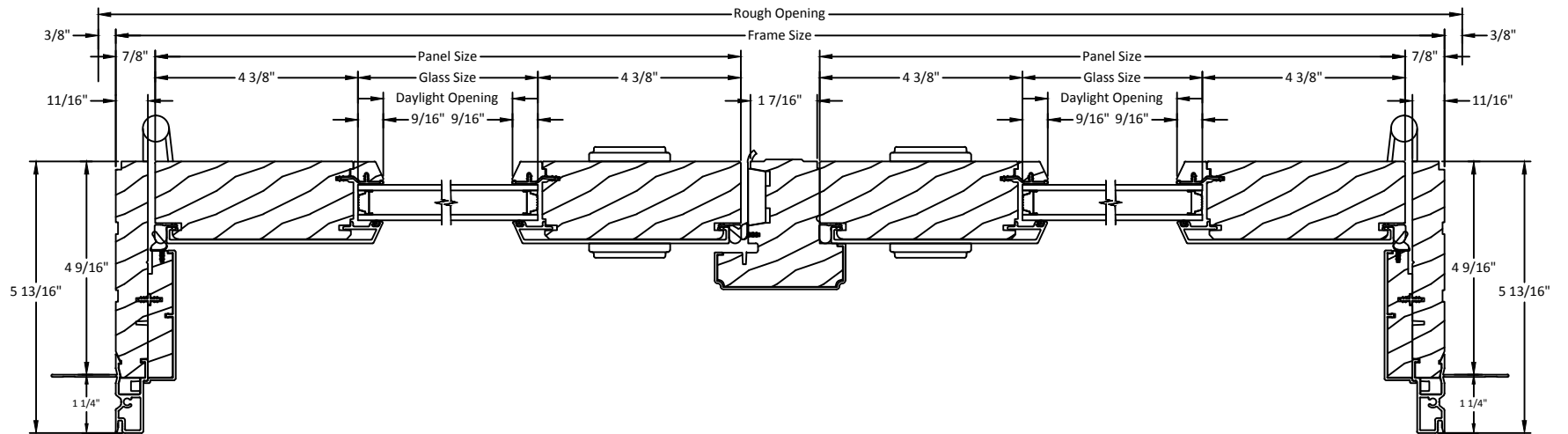
HORIZONTAL SECTION
SIDE HINGED WIDE/NARROW STILE
2 PANEL



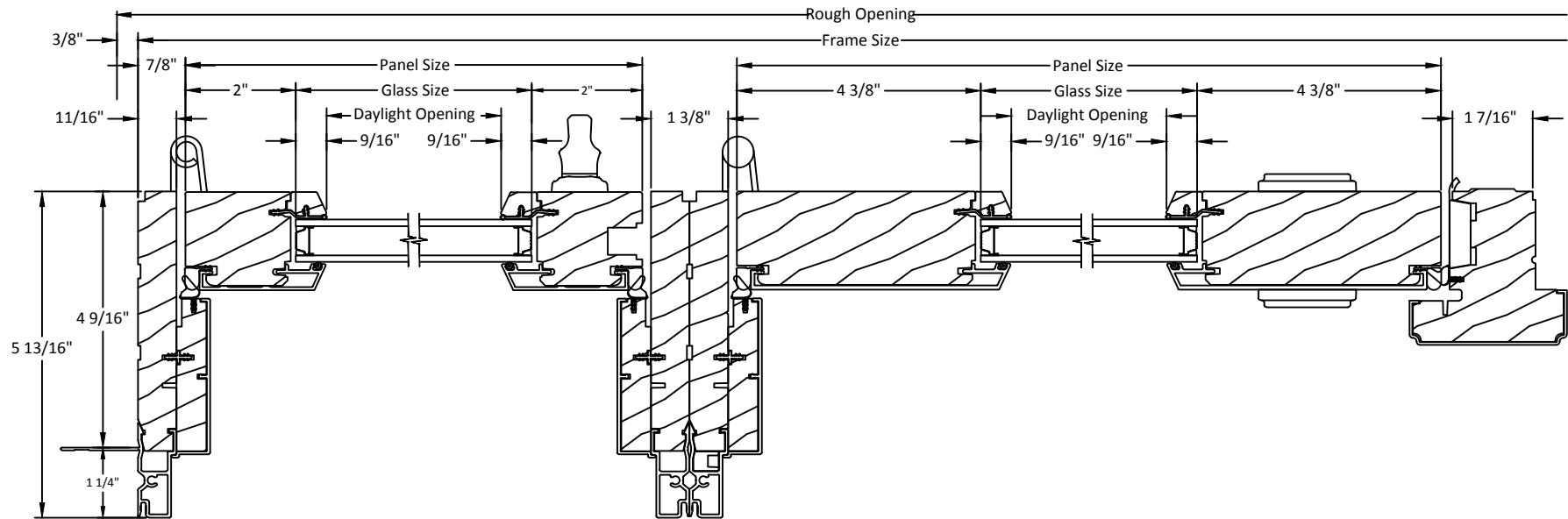
HORIZONTAL SECTION
SIDE HINGED WIDE/SIDELITE STILE
2 PANEL



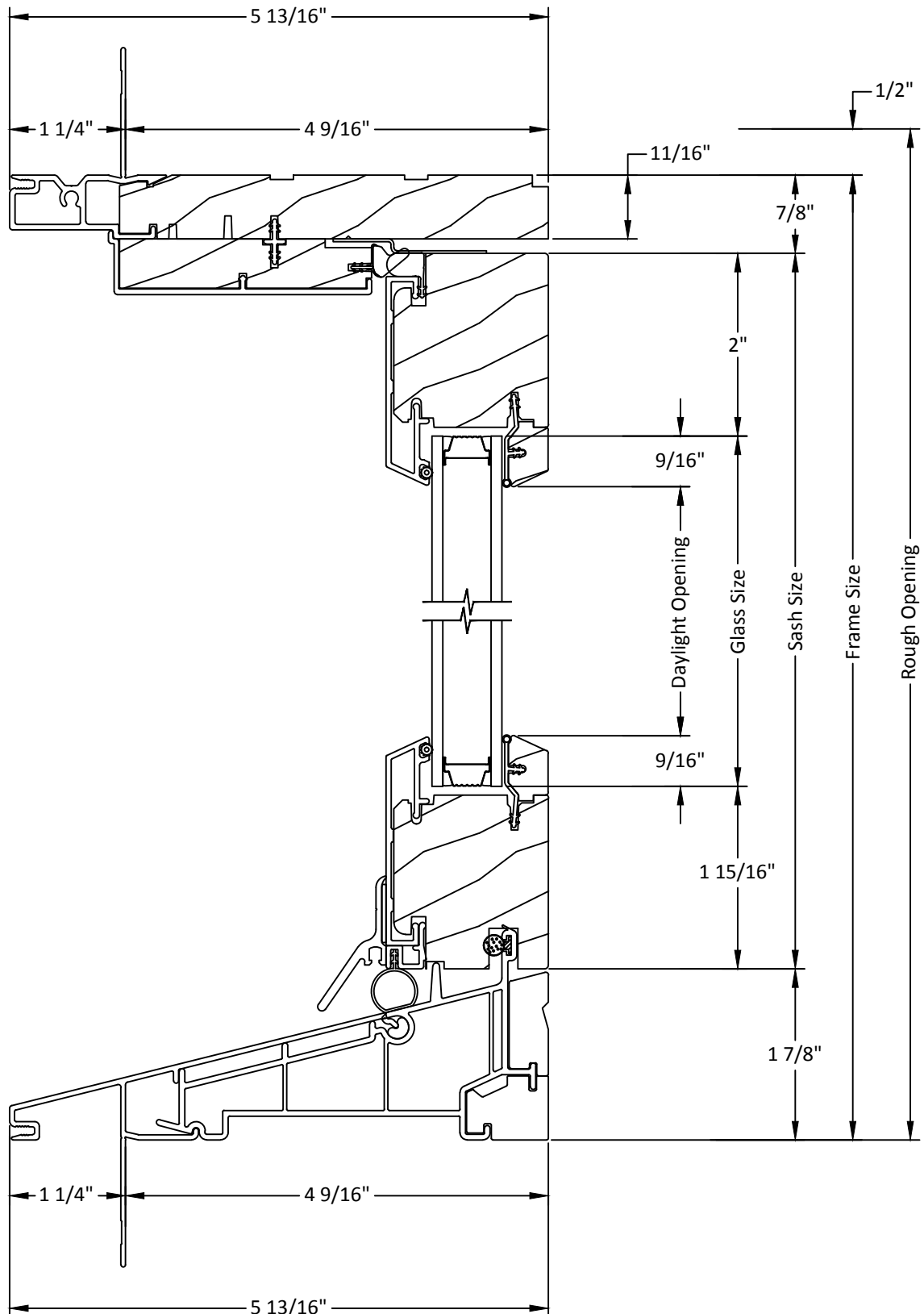
HORIZONTAL SECTION
FRENCH



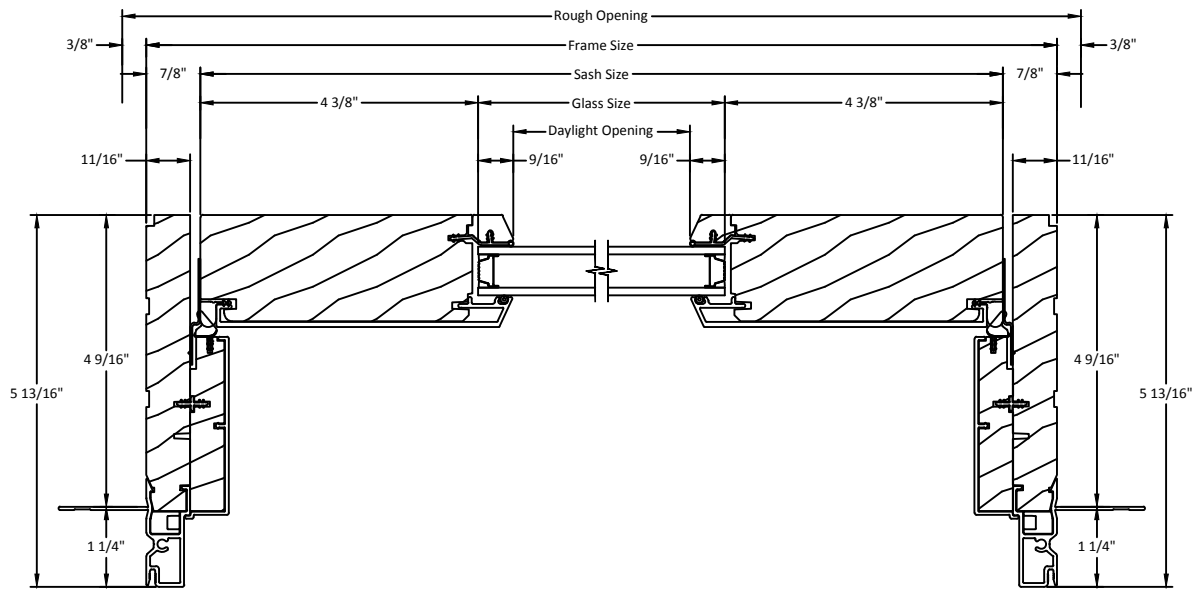
HORIZONTAL SECTION
QUAD



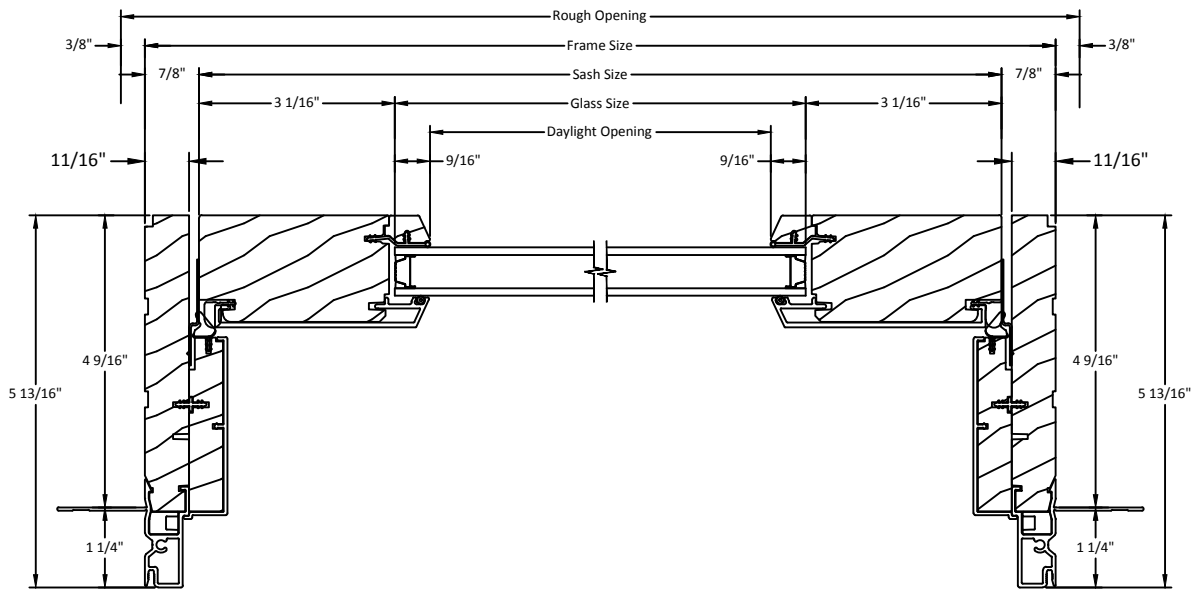
VERTICAL SECTION
TRANSOM



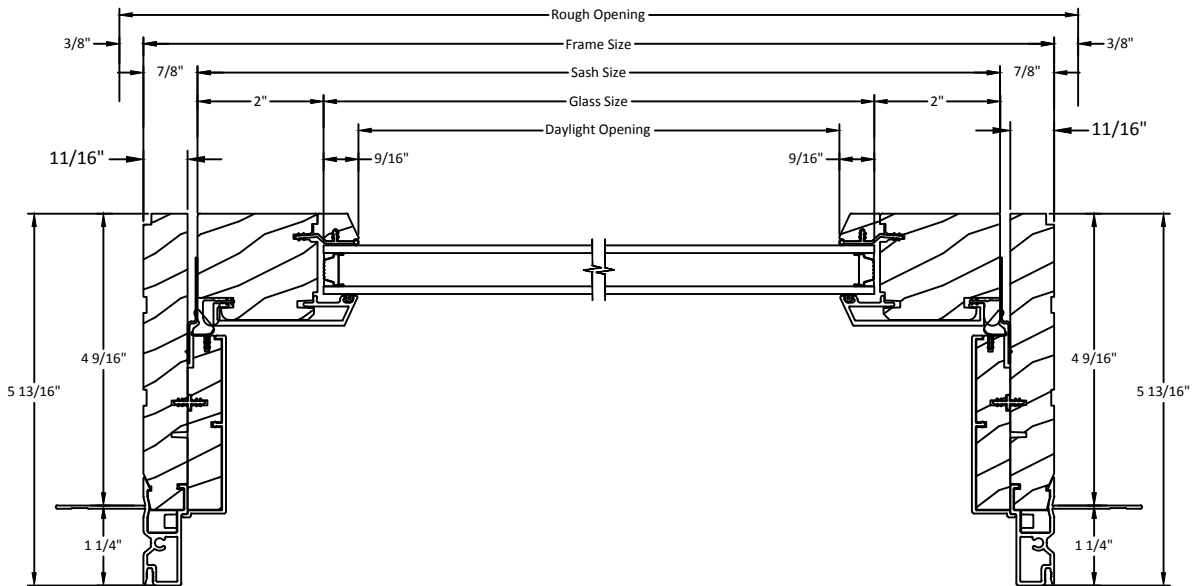
HORIZONTAL SECTION
WIDE STILE TRANSOM



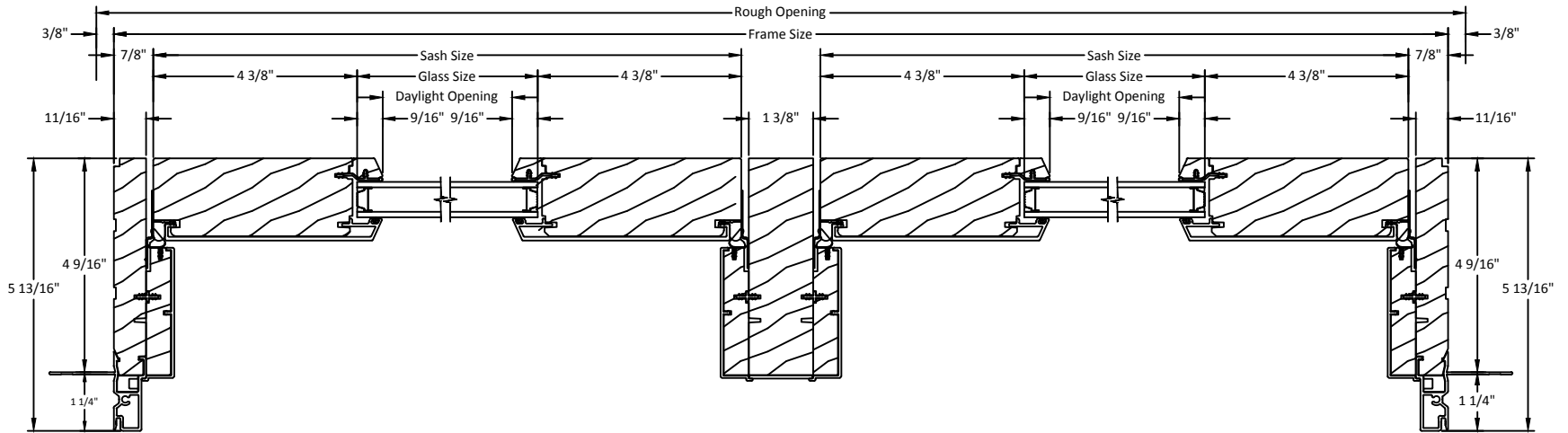
HORIZONTAL SECTION
NARROW STILE TRANSOM



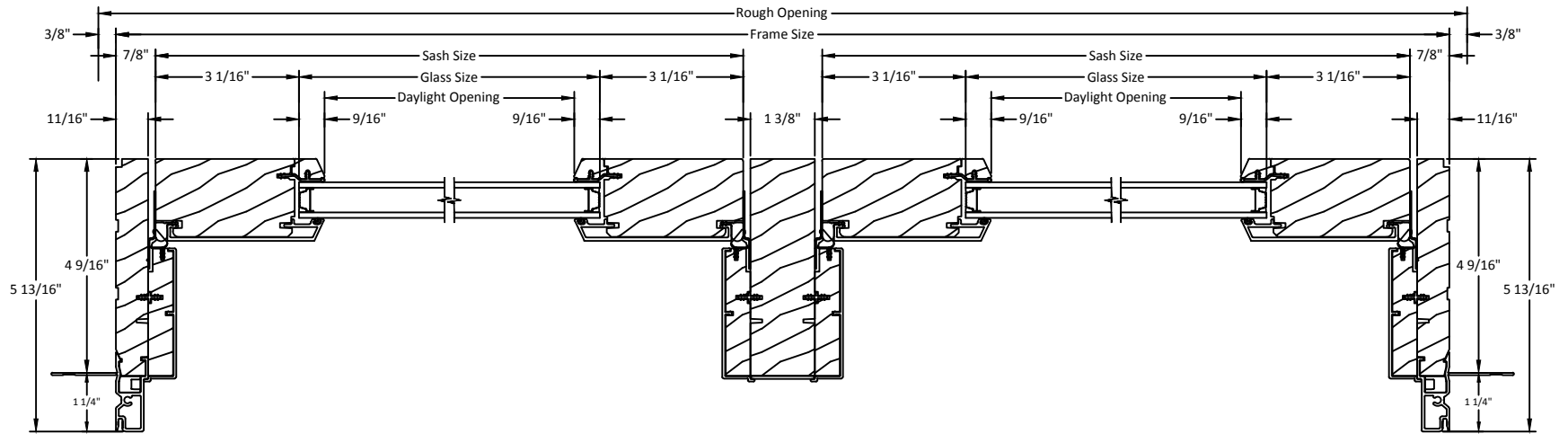
HORIZONTAL SECTION SIDELITE
STILE TRANSOM



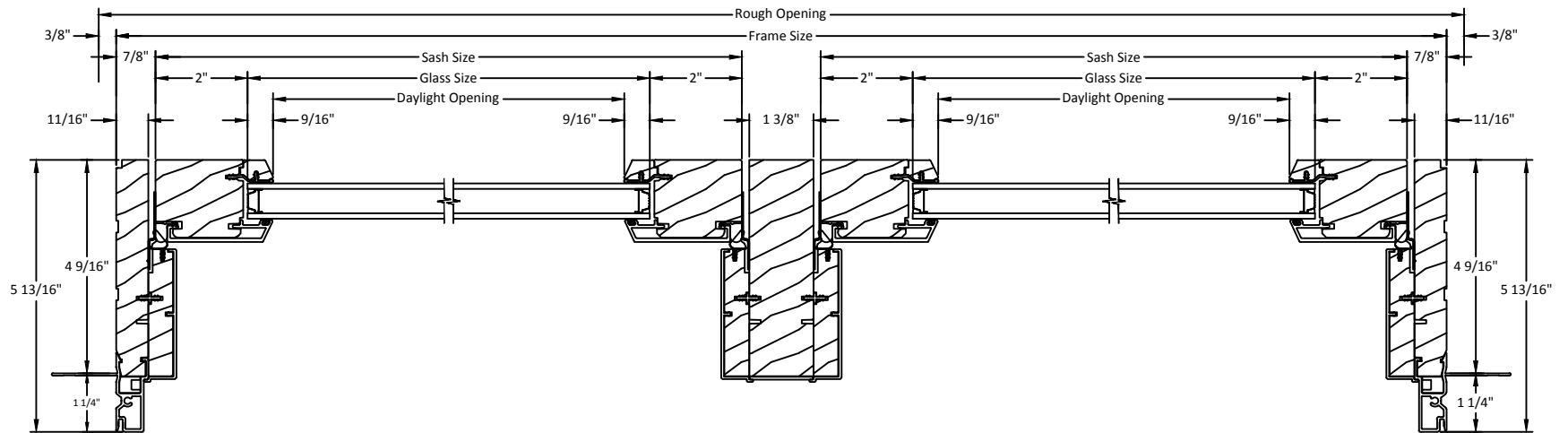
HORIZONTAL SECTION
WIDE STILE TRANSOM - 2 PANEL



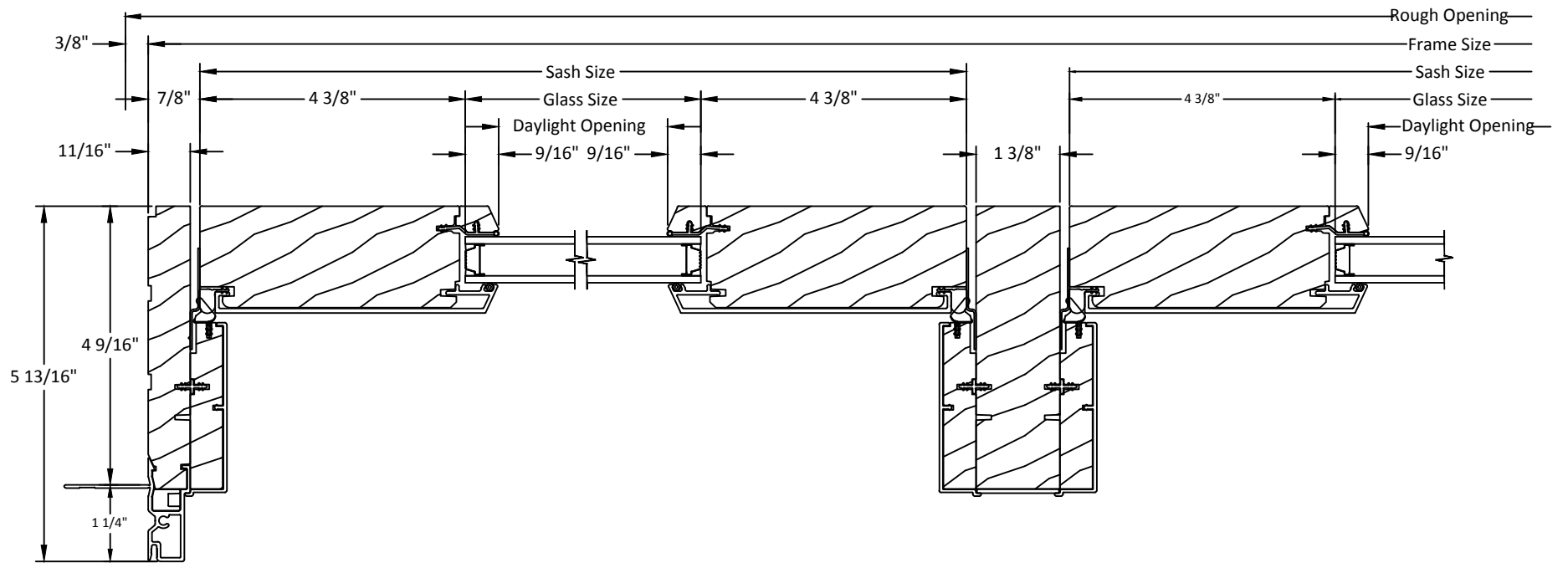
HORIZONTAL SECTION
NARROW STILE TRANSOM - 2 PANEL



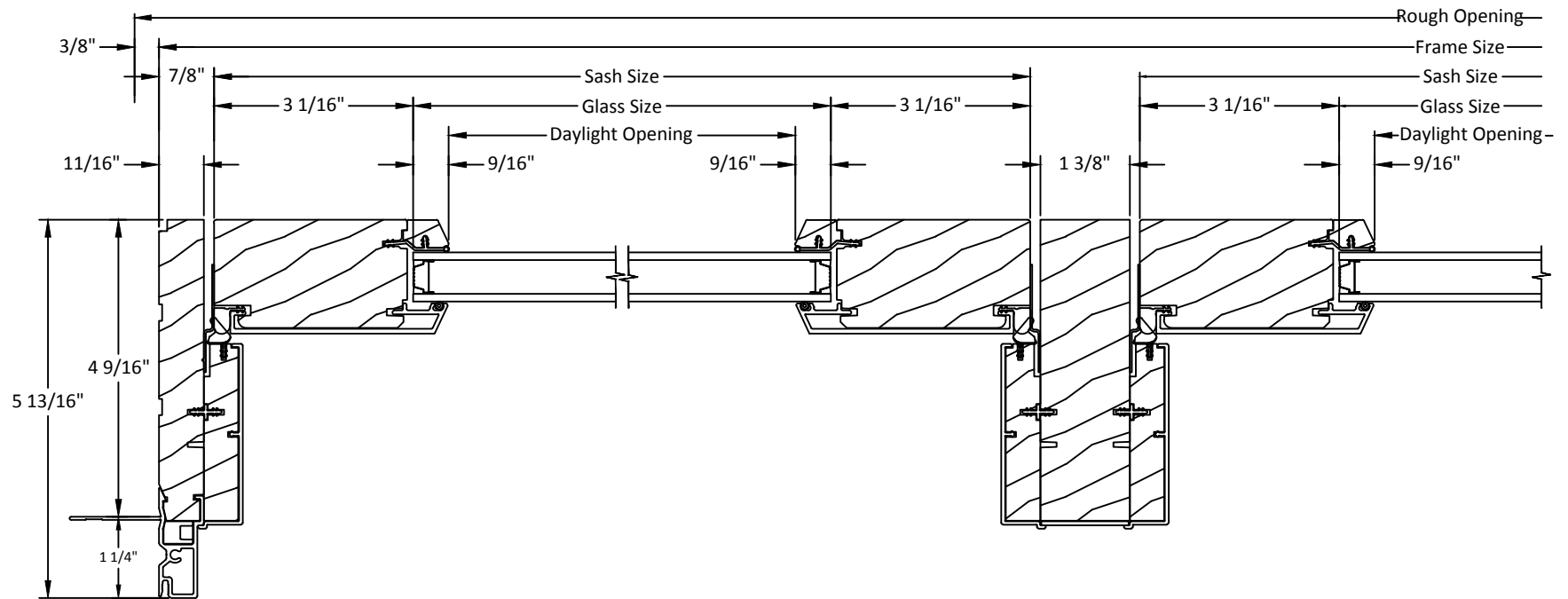
HORIZONTAL SECTION
SIDELITE STILE TRANSOM - 2 PANEL



HORIZONTAL SECTION
WIDE STILE TRANSOM - 3 PANEL



HORIZONTAL SECTION
NARROW STILE TRANSOM - 3 PANEL



HORIZONTAL SECTION
SIDELITE STILE TRANSOM - 3 PANEL

