

TABLE OF CONTENTS

Options

General Information . . . . .	2
Elevation Notes . . . . .	3
Lite Cut Information . . . . .	4
Unit Sizing . . . . .	5
Glazing Options . . . . .	6-8
Jamb Extender Options . . . . .	9
Trim Options . . . . .	10
Mullion Options . . . . .	11
Handing and Operations . . . . .	12

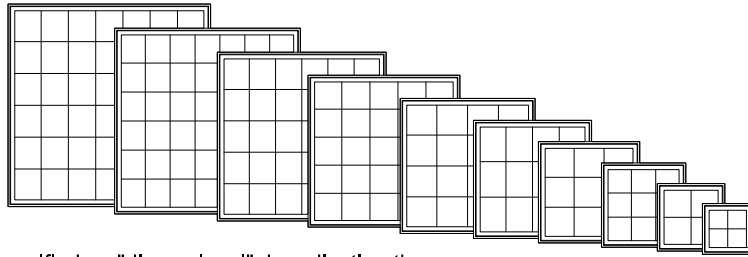
Elevations

Single Units . . . . .	13-19
Picture Units . . . . .	20-24
2 Wide Units . . . . .	25-26
3 Wide Units . . . . .	27-28

Section Details

Vertical Section . . . . .	29
Horizontal Section . . . . .	30
Picture Vertical Section . . . . .	31
Picture Horizontal Section . . . . .	32
2 & 3 Wide Horizontal Section . . . . .	33

GENERAL INFORMATION



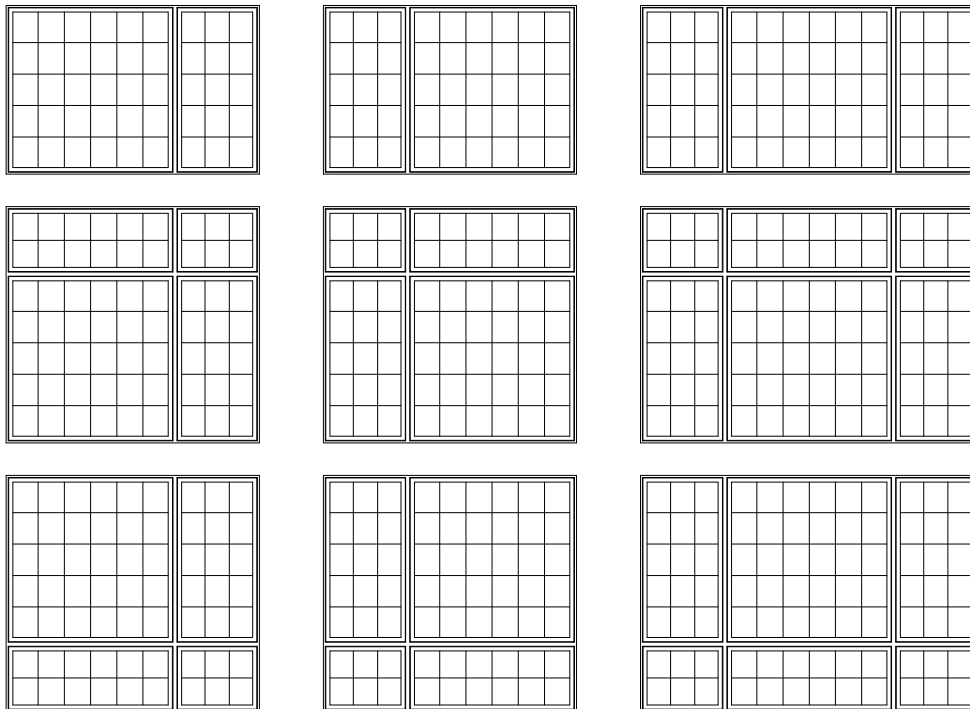
**DIMENSIONAL WINDOWS**

Clad tilt and turn windows may be specified as "dimensional", by adjusting the desired rough opening width or height in 1/4" increments from standard.

Clad tilt and turn windows are available with left or right hand operation, or stationary (non-venting). Operating mechanism includes corrosion resistant steel hinges and dual arm roto-type operator with hardened steel gears and operating arms. Sash locks are concealed unison type with an exposed locking lever and escutcheon plate. There are several interior hardware finish options. Refer to the Specifications for finish options.

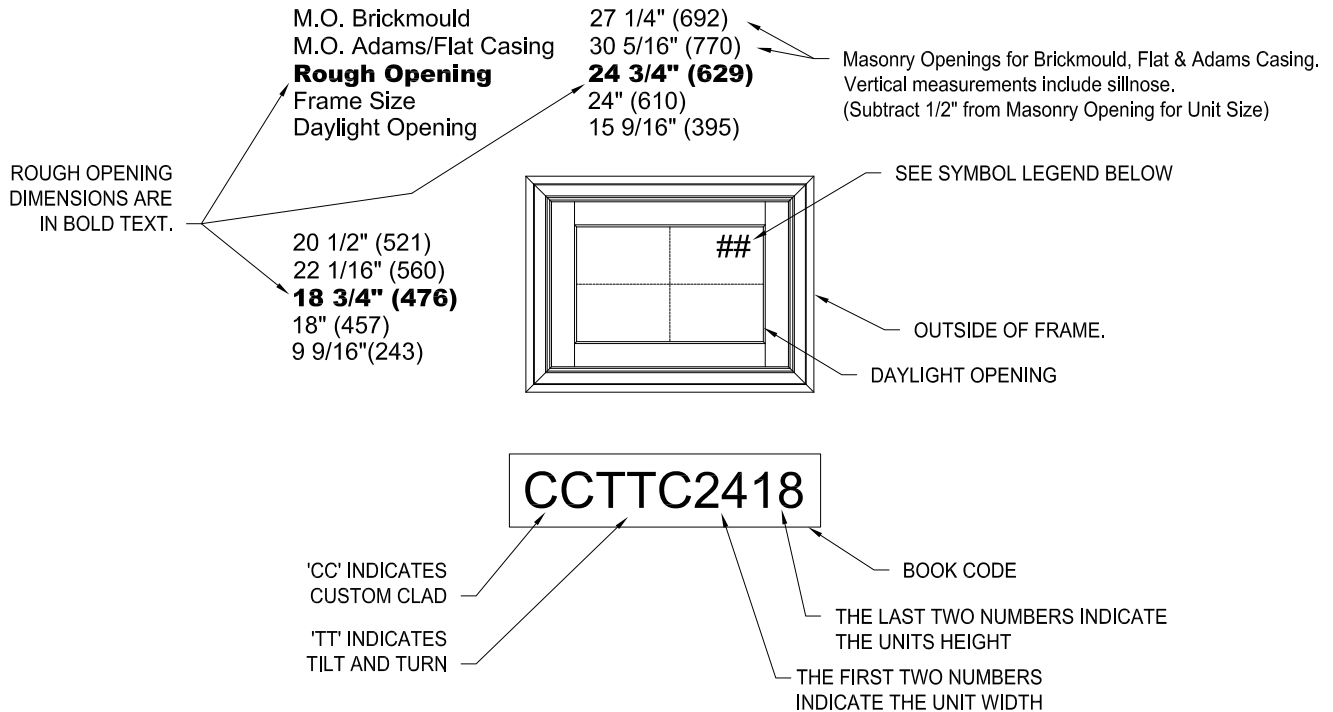
**MULTIPLE ASSEMBLIES**

Clad tilt and turn windows may be mullied above, below, or beside other clad tilt and turn windows, or other clad window products. Factory assembled mulls are limited in height (100"), width (150"), and a total area (75 square feet).



**ELEVATION NOTES**

ELEVATION DRAWINGS UTILIZE A LIMITED NUMBER OF PROJECTED LINES TO PRODUCE A RUDIMENTARY DRAWING INTENDED TO BE USED IN A SMALL GRAPHICAL SCALE. ELEVATIONS ARE VIEWED PERPENDICULAR FROM THE EXTERIOR OF THE STRUCTURE. IF MORE DIMENSIONS ARE NEEDED, USE THE SECTION DRAWINGS FOR MORE COMPLETE DEPICTIONS.



**GENERAL CASEMENT NOTES**

1. CUSTOM CLAD TILT AND TURN(CCTT) UNITS ARE AVAILABLE AS OPERATING OR FIXED UNITS.
2. 'CCTTP' IN A BOOK CODE DENOTES THE UNIT IS A CLAD TILT AND TURN PICTURE (FIXED) UNIT.
3. UNIT ELEVATIONS ARE SHOWN WITHOUT EXTERIOR TRIM. UNIT SIZES & MASONRY OPENING DIMENSIONS WILL CHANGE WITH THE ADDITION OF EXTERIOR TRIM. SEE THE 'UNIT SIZING, ROUGH OPENINGS & MASONRY OPENINGS' PAGE FOR EXTERIOR TRIM EFFECTS.
4. OPERATING UNITS ARE AVAILABLE AS LEFT OR RIGHT HAND OPERATION.
5. DIMENSIONAL VALUES IN BRACKETS ARE MILLIMETER CONVERSIONS.

**ELEVATION SYMBOL LEGEND:**

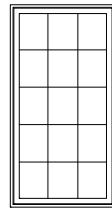
- E** BASIC UNIT CLEAR OPENING EXCEEDS 20" IN WIDTH, 24" IN HEIGHT & A MINIMUM OF 5.7 SQ. FT.
- \*** INDICATES STATIONARY UNIT.
- ##** NUMBER INDICATES DESIGN PRESSURE (DP) RATING WITH STANDARD GLAZING. OPERATING UNITS UTILIZE A CONCEALED LOCKING SYSTEM FOR DP RATINGS.

LITE CUT INFORMATION

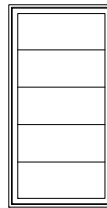
Clad tilt and turn windows are available with removable grilles in 7/8", 1-1/8" and 1-3/8" widths, Airspace ( between the panes) grilles, and Simulated Divided Lites. Standard lite cuts are rectangular, and conform to the layouts noted in the charts on the next page. To use the chart, refer to the appropriate table by the type of window and type of bars or grilles the section drawings illustrate. Then simply cross reference the frame Height and Width to determine the standard lite cut.

LITE CUT OPTIONS

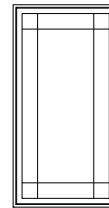
Special lite cut patterns can include a wide variety of straight line and radius patterns. The illustrations shown here represent just a few of the possibilities. Rectangular, horizontal, vertical and Prairie lite patterns are available in all standard size clad casement windows. Uneven, diamond, radius and Gothic lite cuts are available, subject to approval. Approvals are based on the ability to fulfill the design requirement while maintaining the construction integrity of the finished product.



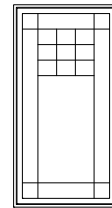
RECTANGULAR



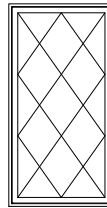
HORIZONTAL



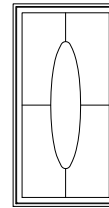
PRAIRIE



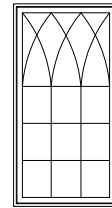
UNEVEN



DIAMOND



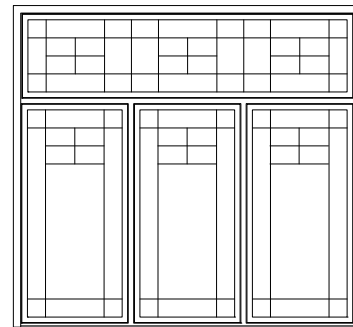
RADIUS



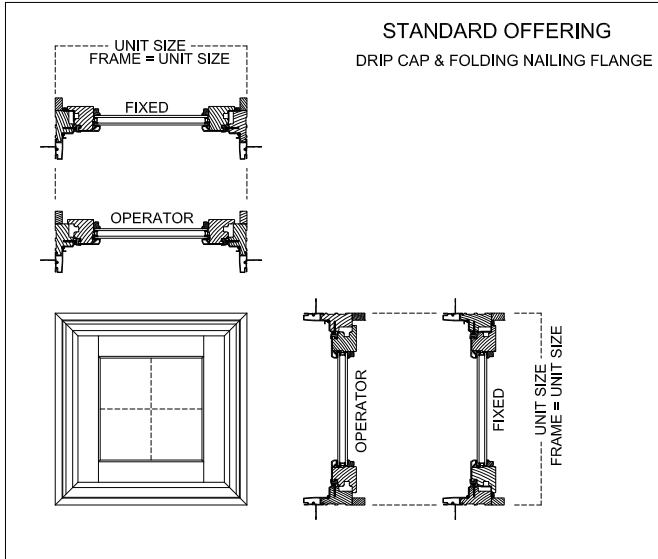
GOTHIC

BAR ALIGNMENT

Alignment of divided lite muntin bars from one window to the next is often required by fine architectural design. Wood grilles, Grilles Between the Glass, grilles, and Simulated Divided Lites may be specified with muntin bars aligned.



**UNIT SIZING**



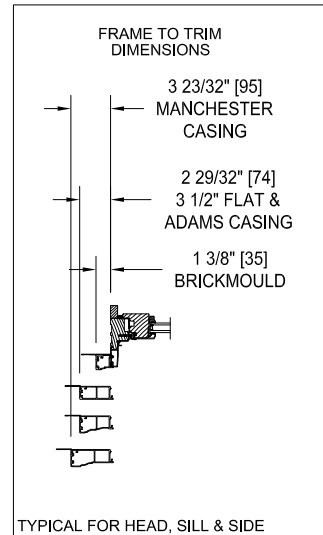
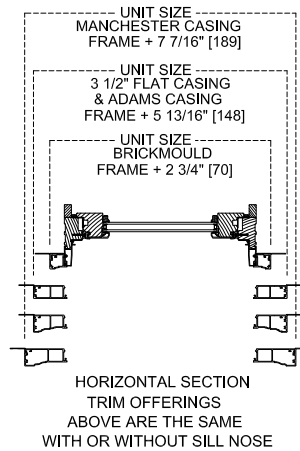
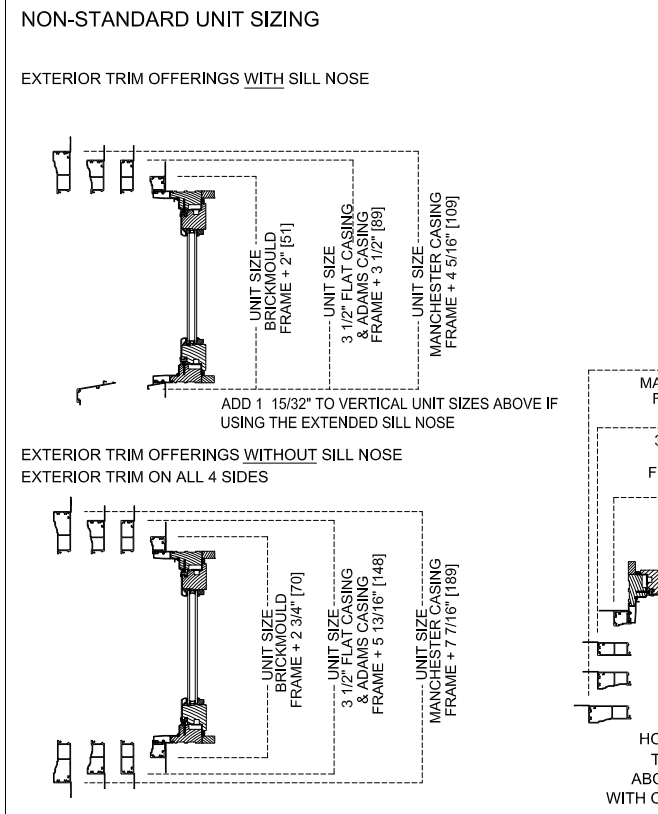
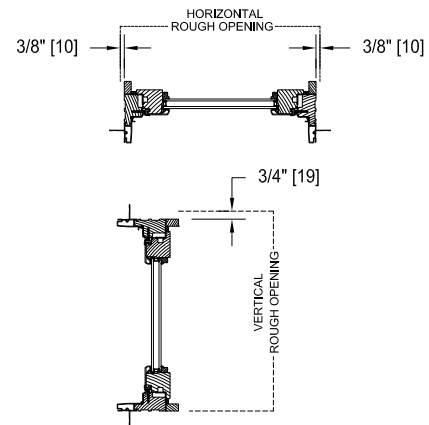
**GENERAL NOTES:**

UNITS WITH NO TRIM AND SILL NOSE:  
UNIT SIZE = FRAME SIZE

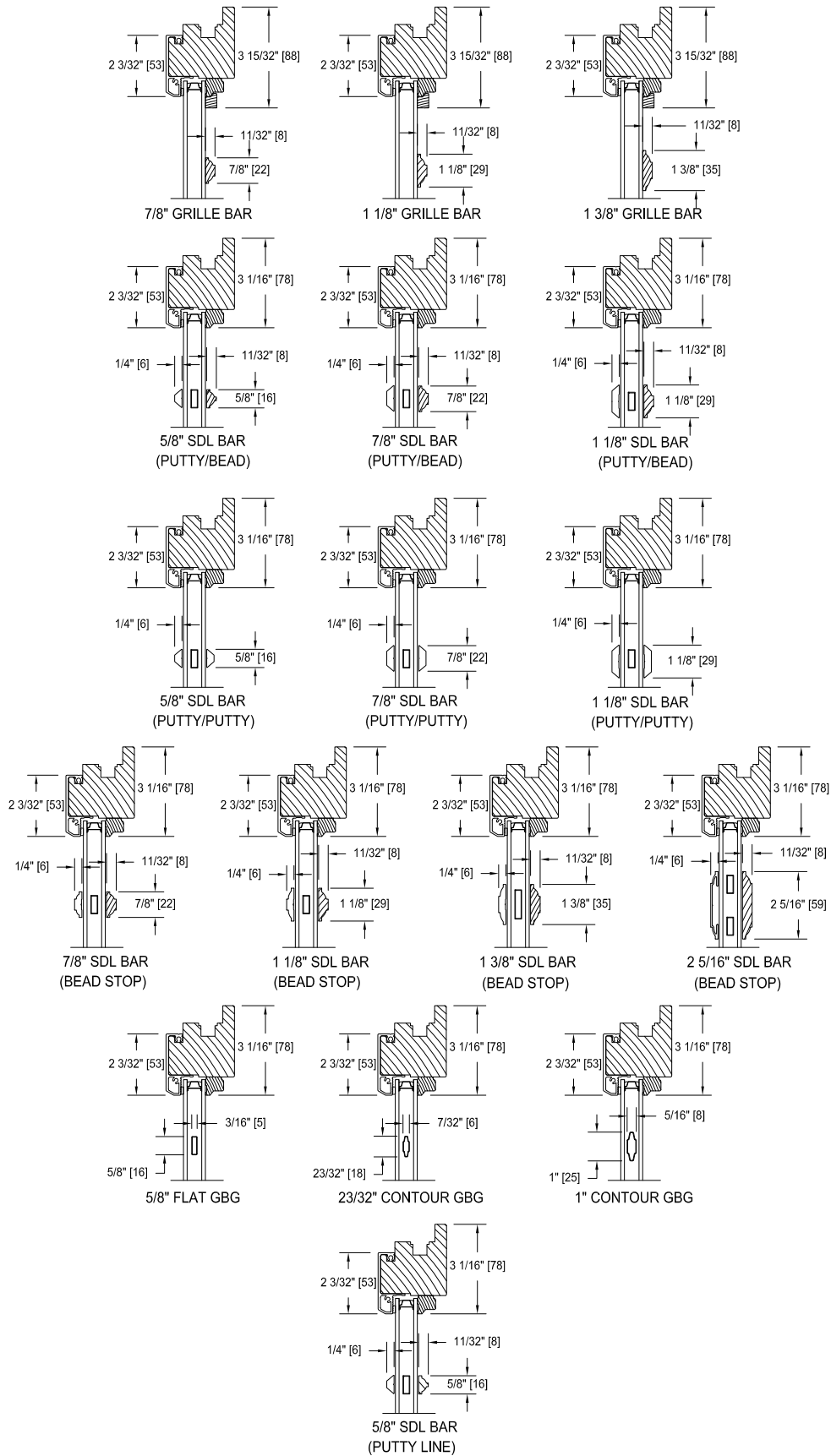
UNIT SIZE IS ALWAYS THE  
EXTREME SIZE OF THE WINDOW  
WITH OR WITHOUT TRIM  
(DRIP CAP & NAILING FLANGE ARE  
NOT ADDED TO ANY UNIT SIZING)

**MASONRY OPENING:**  
MASONRY OPENING IS ALWAYS 1/2" OVER  
THE UNIT SIZE OF THE WINDOW

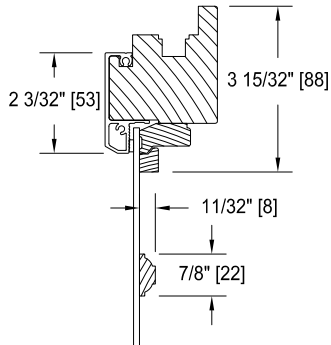
**ROUGH OPENING:**  
ROUGH OPENING IS ALWAYS 3/4" OVER  
FRAME SIZE OF THE WINDOW



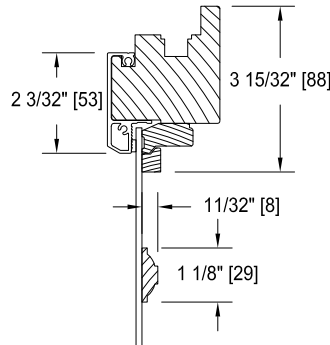
**GLAZING OPTIONS - INSULATED 3/4" [19] GLASS**



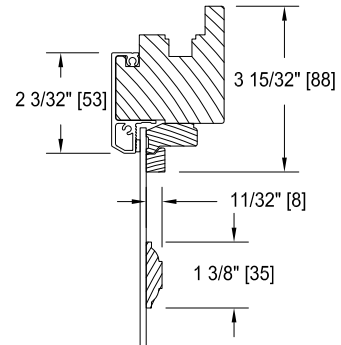
GLAZING OPTIONS - SINGLE GLAZED 1/8" [3] GLASS



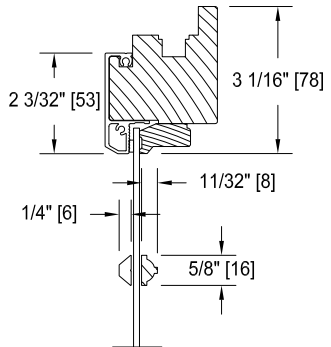
7/8" GRILLE BAR



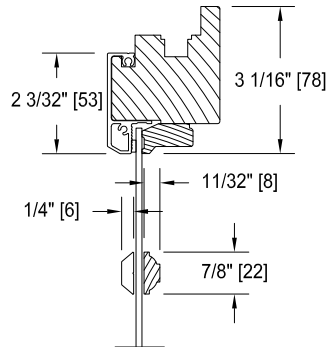
1 1/8" GRILLE BAR



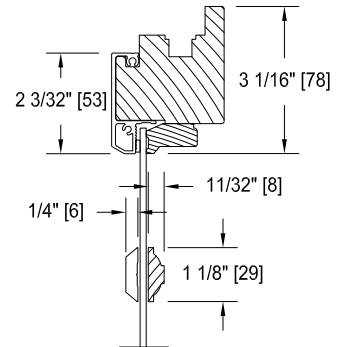
1 3/8" GRILLE BAR



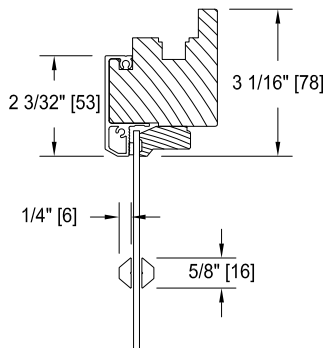
5/8" SDL  
(PUTTY/BEAD)



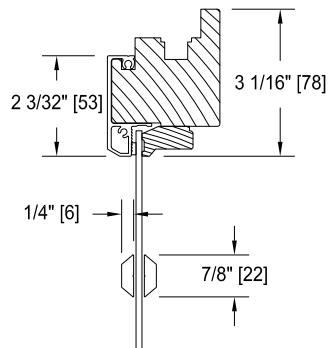
7/8" SDL  
(PUTTY/BEAD)



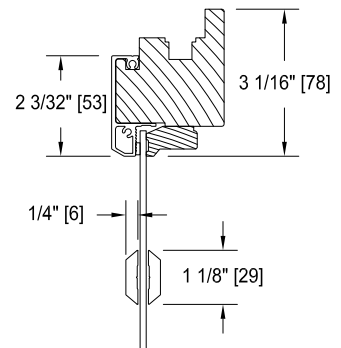
1 1/8" SDL  
(PUTTY/BEAD)



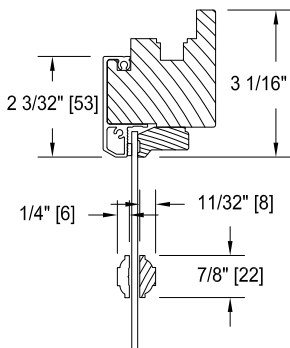
5/8" SDL  
(PUTTY/PUTTY)



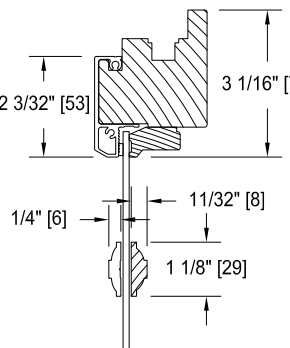
7/8" SDL  
(PUTTY/PUTTY)



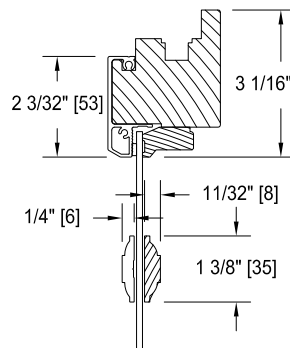
1 1/8" SDL  
(PUTTY/PUTTY)



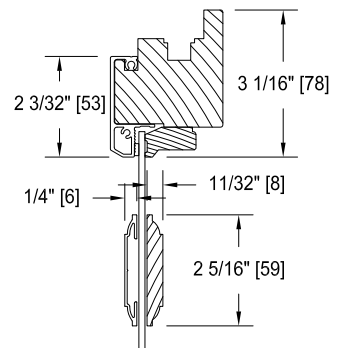
7/8" SDL  
(BEAD STOP)



1 1/8" SDL  
(BEAD STOP)

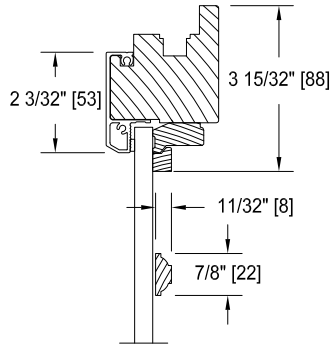


1 3/8" SDL  
(BEAD STOP)

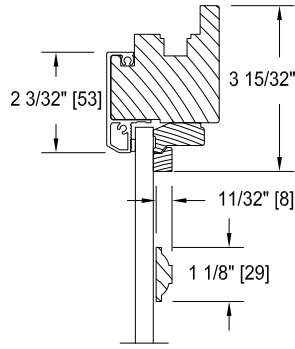


2 5/16" SDL BAR  
(BEAD STOP)

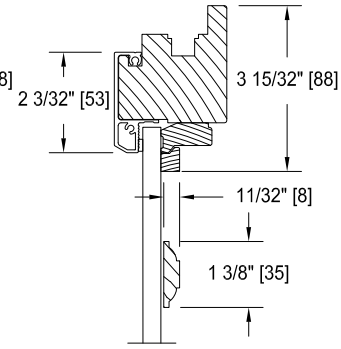
GLAZING OPTIONS - IMPACT RESISTANT GLASS



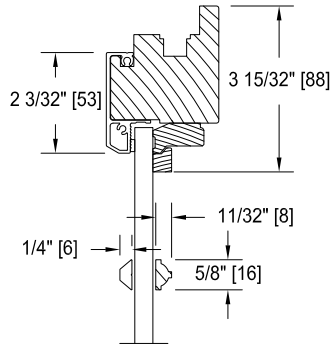
7/8" GRILLE BAR



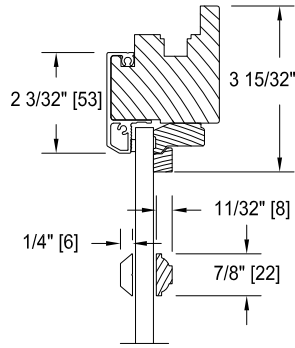
1 1/8" GRILLE BAR



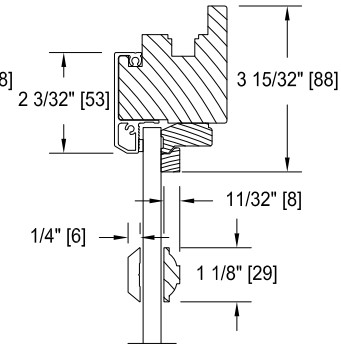
1 3/8" GRILLE BAR



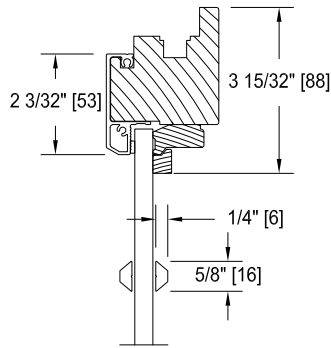
5/8" SDL BAR  
(PUTTY/BEAD)



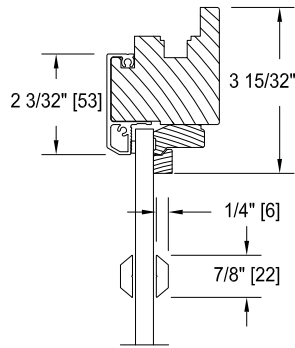
7/8" SDL BAR  
(PUTTY/BEAD)



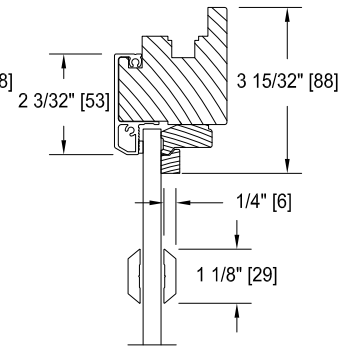
1 1/8" SDL BAR  
(PUTTY/BEAD)



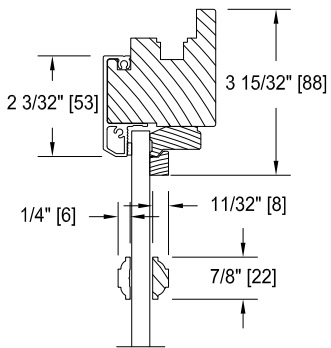
5/8" SDL BAR  
(PUTTY/PUTTY)



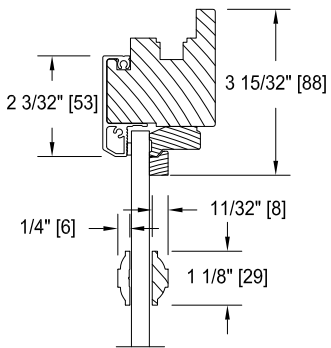
7/8" SDL BAR  
(PUTTY/PUTTY)



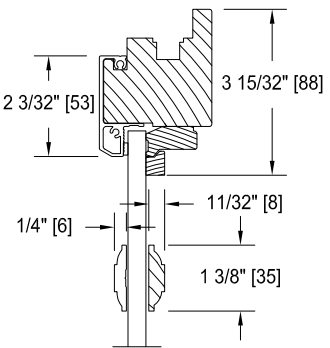
1 1/8" SDL BAR  
(PUTTY/PUTTY)



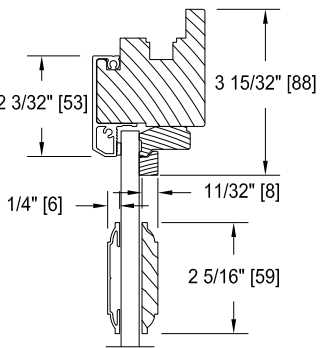
7/8" SDL BAR  
(BEAD STOP)



1 1/8" SDL BAR  
(BEAD STOP)



1 3/8" SDL BAR  
(BEAD STOP)

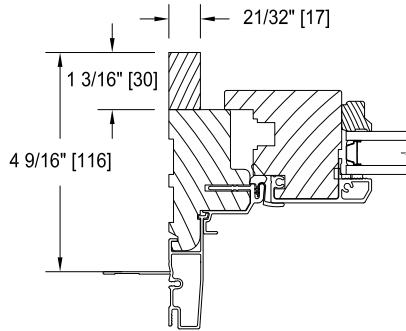


2 5/16" SDL BAR  
(BEAD STOP)



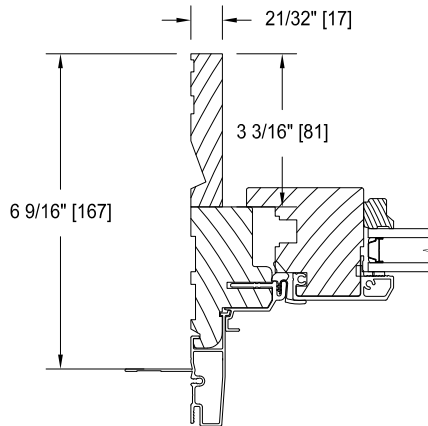
JAMB EXTENDER OPTIONS

**4 9/16" WALL**



STANDARD 4/4  
JAMB EXTENDER

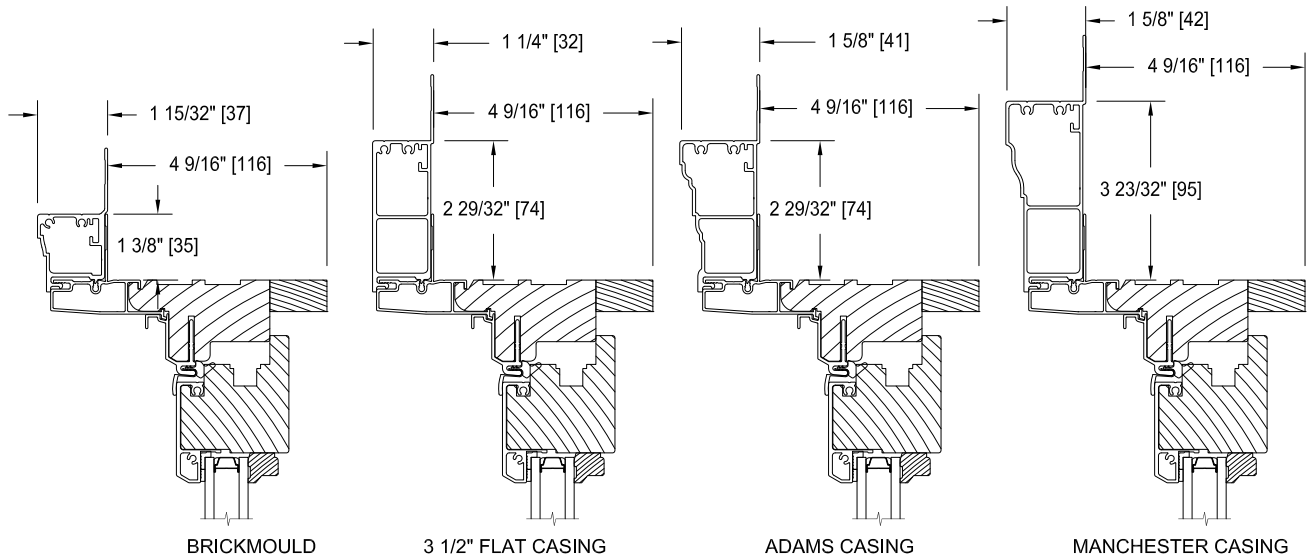
**6 9/16" WALL**



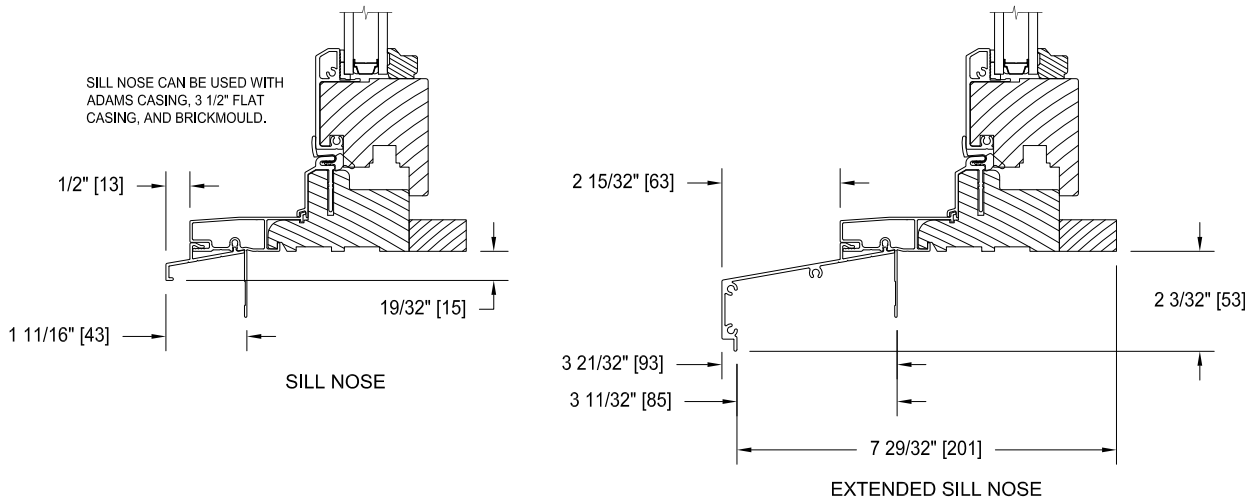
STANDARD 4/4  
JAMB EXTENDER

TRIM OPTIONS

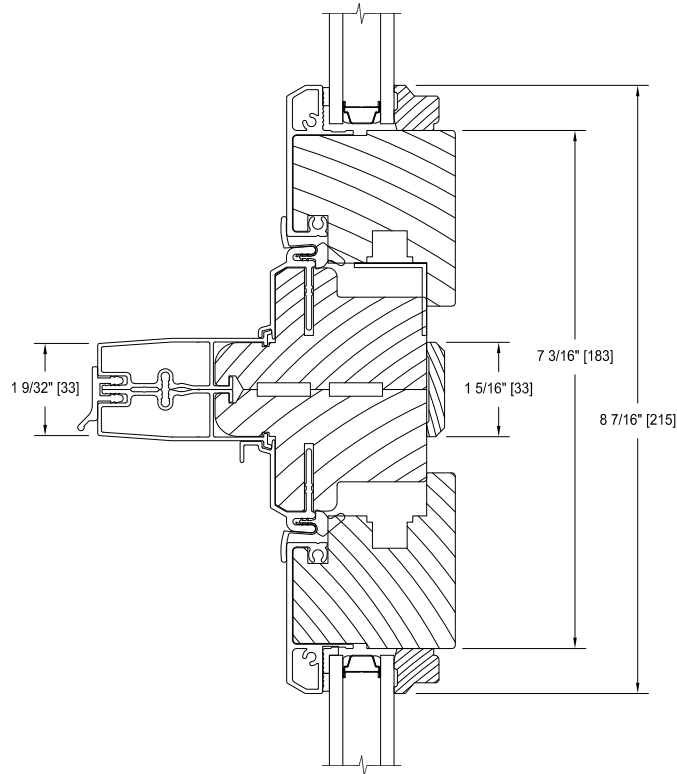
EXTERIOR TRIM



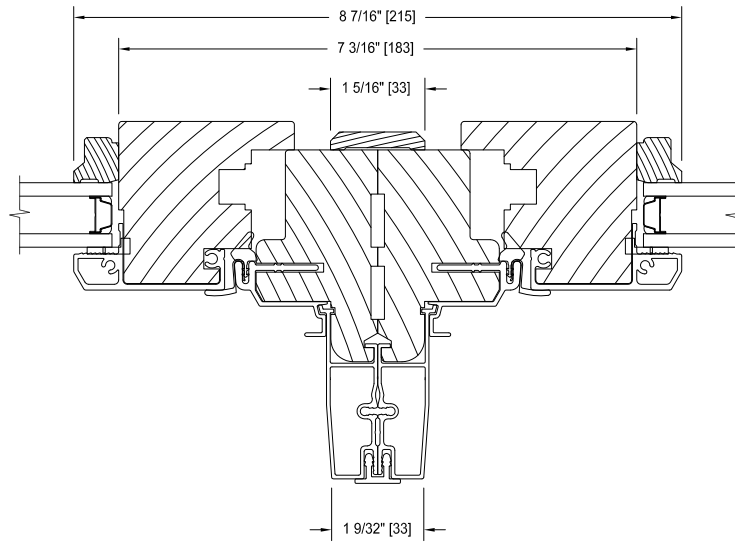
SILL NOSE OPTIONS



**MULLION OPTIONS**

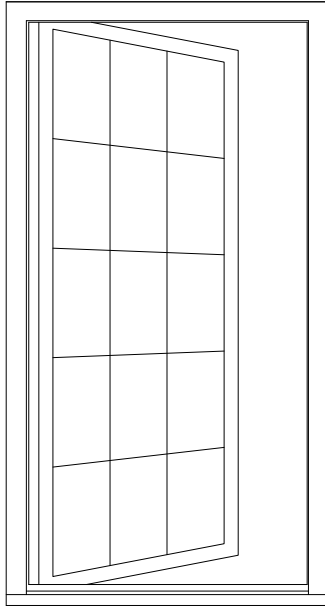


**HEAD/SILL**

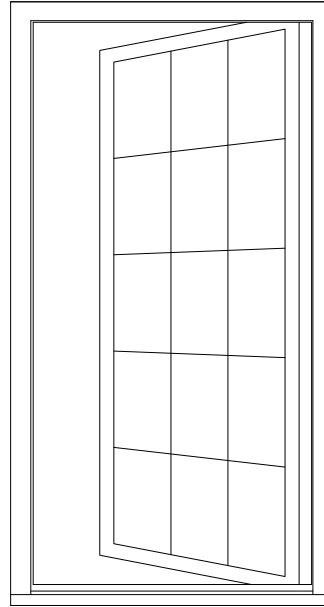


**JAMB**

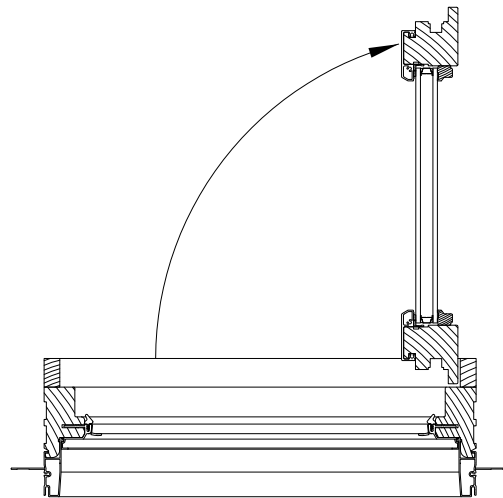
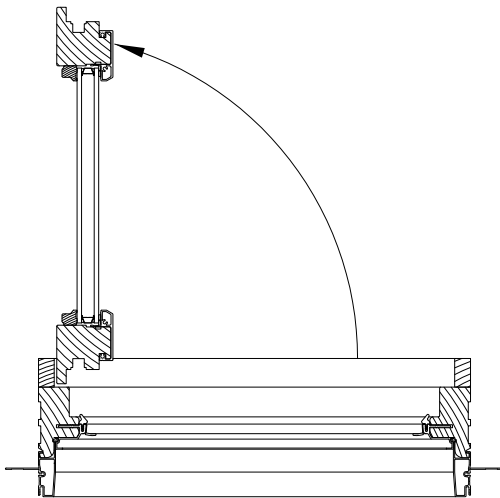
HANDING AND OPERATIONS



LEFT  
HAND



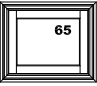
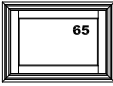
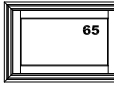
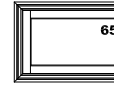
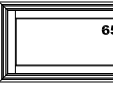
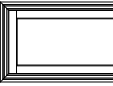

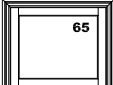
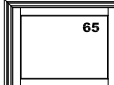

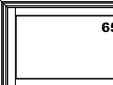
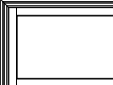
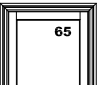
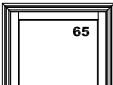
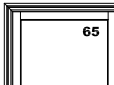
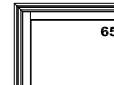
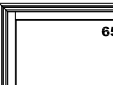
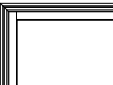
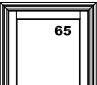
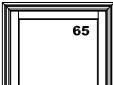
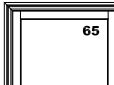
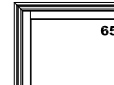
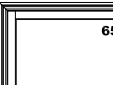
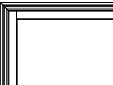
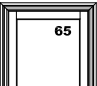
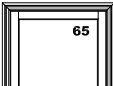
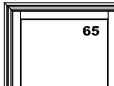
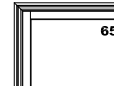
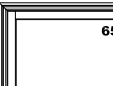
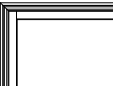
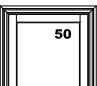
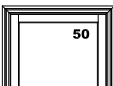
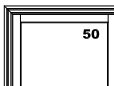
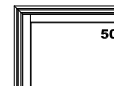
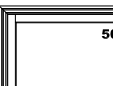
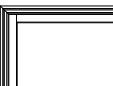
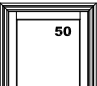
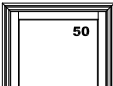
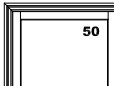
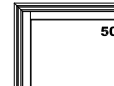
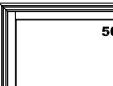
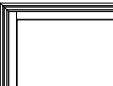
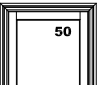
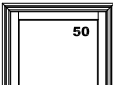
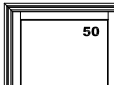
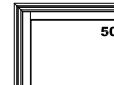
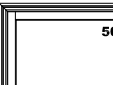
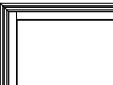
RIGHT  
HAND



CASEMENT UNIT HANDING:  
UNIT HANDING IS DEFINED (FROM  
THE EXTERIOR) AS THE  
DIRECTION THE SASH OPENS.

**OPERATOR ELEVATIONS**

MO BRICKMOLD  
MO FLAT CASING  
ROUGH OPENING  
FRAME SIZE  
DAYLIGHT OPENING

27 1/4"(692) 30 5/16"(770) 24 3/4"(629) 24"(610) 15 9/16"(395)	31 1/4"(794) 34 5/16"(872) 28 3/4"(730) 28"(711) 19 9/16"(497)	33 1/4"(845) 36 5/16"(922) 30 3/4"(781) 30"(762) 21 9/16"(547)	35 1/4"(895) 38 5/16"(973) 32 3/4"(832) 32"(813) 23 9/16"(598)	39 1/4"(997) 42 5/16"(1075) 36 3/4"(933) 36"(914) 27 9/16"(700)	43 1/4"(1099) 46 5/16"(1176) 40 3/4"(1035) 40"(1016) 31 9/16"(802)	
22 1/2"(572) 24 1/16"(611) 20 3/4"(527) 20"(508) 11 9/16"(294)						
	CCTTH2420	CCTTH2820	CCTTH3020	CCTTH3220	CCTTH3620	CCTTH4020
26 1/2"(673) 28 1/16"(713) 24 3/4"(629) 24"(610) 15 9/16"(395)						
	CCTTH2424	CCTTH2824	CCTTH3024	CCTTH3224	CCTTH3624	CCTTH4024
31 1/4"(794) 34 5/16"(872) 28 3/4"(730) 28"(711) 19 9/16"(497)						
	CCTTH2428	CCTTH2828	CCTTH3028	CCTTH3228	CCTTH3628	CCTTH4028
32 1/2"(826) 34 1/16"(865) 30 3/4"(781) 30"(762) 21 9/16"(547)						
	CCTTH2430	CCTTH2830	CCTTH3030	CCTTH3230	CCTTH3630	CCTTH4030
34 1/2"(876) 36 1/16"(916) 32 3/4"(832) 32"(813) 23 9/16"(598)						
	CCTTH2432	CCTTH2832	CCTTH3032	CCTTH3232	CCTTH3632	CCTTH4032
38 1/2"(978) 40 1/16"(1018) 36 3/4"(933) 36"(914) 27 9/16"(700)						
	CCTTH2436	CCTTH2836	CCTTH3036	CCTTH3236	CCTTH3636	CCTTH4036
42 1/2"(1080) 44 1/16"(1119) 40 3/4"(1035) 40"(1016) 31 9/16"(802)						
	CCTTH2440	CCTTH2840	CCTTH3040	CCTTH3240	CCTTH3640	CCTTH4040
44 1/2"(1130) 46 1/16"(1170) 42 3/4"(1086) 42"(1067) 33 9/16"(852)						
	CCTTH2442	CCTTH2842	CCTTH3042	CCTTH3242	CCTTH3642	CCTTH4042

**ELEVATION SYMBOL LEGEND:**

M.O. = MASORNY OPENING  
VALUES IN ( ) ARE IN MILLIMETER CONVERSIONS  
## NUMBER INDICATES PERFORMANCE GRADE (PG) RATING WITH STANDARD GLAZING

Note: Elevations shown DO NOT have exterior trim. Subtract 1/2"(12.7) from M.O.(Masonry Opening) for Unit Sizes. Masonry openings above include Sill Nose, see Trim Options page for Sill Nose specifications. For other Trim Options refer to the Unit Sizing, Rough Opening & Masonry Openings page.

**OPERATOR ELEVATIONS**

MO BRICKMOLD  
MO FLAT CASING  
ROUGH OPENING  
FRAME SIZE  
DAYLIGHT OPENING

27 1/4"(692)  
30 5/16"(770)  
24 3/4"(629)  
24"(610)  
15 9/16"(395)

31 1/4"(794)  
34 5/16"(872)  
28 3/4"(730)  
28"(711)  
19 9/16"(497)

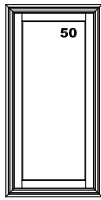
33 1/4"(845)  
36 5/16"(922)  
30 3/4"(781)  
30"(762)  
21 9/16"(547)

35 1/4"(895)  
38 5/16"(973)  
32 3/4"(832)  
32"(813)  
23 9/16"(598)

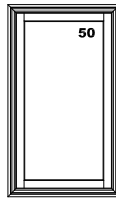
39 1/4"(997)  
42 5/16"(1075)  
36 3/4"(933)  
36"(914)  
27 9/16"(700)

43 1/4"(1099)  
46 5/16"(1176)  
40 3/4"(1035)  
40"(1016)  
31 9/16"(802)

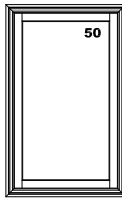
50 1/2"(1283)  
52 1/16"(1322)  
48 3/4"(1238)  
48"(1219)  
39 9/16"(1005)



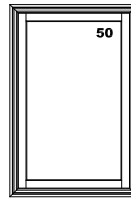
CCTTH2448



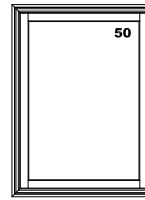
CCTTH2848



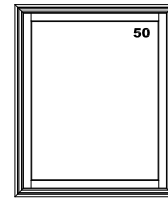
CCTTH3048



CCTTH3248



CCTTH3648



CCTTH4048

**ELEVATION SYMBOL LEGEND:**

M.O. = MASORNY OPENING  
VALUES IN ( ) ARE IN MILLIMETER CONVERSIONS  
## NUMBER INDICATES PERFORMANCE GRADE (PG) RATING WITH STANDARD GLAZING

Note: Elevations shown DO NOT have exterior trim. Subtract 1/2"(12.7) from M.O. (Masonry Opening) for Unit Sizes. Masonry openings above include Sill Nose, see Trim Options page for Sill Nose specifications. For other Trim Options refer to the Unit Sizing, Rough Opening & Masonry Openings page.

**OPERATOR ELEVATIONS**

MO BRICKMOLD  
MO FLAT CASING  
ROUGH OPENING  
FRAME SIZE  
DAYLIGHT OPENING

45 1/4"(1149)  
48 5/16"(1227)  
42 3/4"(1086)  
42"(1067)  
33 9/16"(852)

51 1/4"(1302)  
54 5/16"(1380)  
48 3/4"(1238)  
48"(1219)  
39 9/16"(1005)

56 1/2"(1435)  
58 1/16"(1475)  
54 3/4"(1391)  
54"(1372)  
45 9/16"(1157)

58 1/2"(1486)  
60 1/16"(1526)  
56 3/4"(1441)  
56"(1422)  
47 9/16"(1208)

22 1/2"(572)  
24 1/16"(611)  
20 3/4"(527)  
207(508)  
11 9/16"(294)



CCTTH4220



CCTTH4820



CCTTH5420

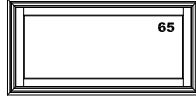


CCTTH5620

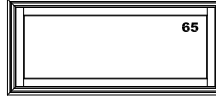
26 1/2"(673)  
28 1/16"(713)  
24 3/4"(629)  
24"(610)  
15 9/16"(395)



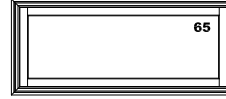
CCTTH4224



CCTTH4824

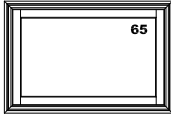


CCTTH5424



CCTTH5624

31 1/4"(794)  
34 5/16"(872)  
28 3/4"(730)  
28"(711)  
19 9/16"(497)



CCTTH4228



CCTTH4828

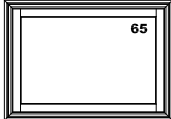


CCTTH5428



CCTTH5628

32 1/2"(826)  
34 1/16"(865)  
30 3/4"(781)  
307(782)  
21 9/16"(547)



CCTTH4230



CCTTH4830

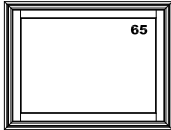


CCTTH5430



CCTTH5630

34 1/2"(876)  
36 1/16"(916)  
32 3/4"(832)  
32"(813)  
23 9/16"(588)



CCTTH4232



CCTTH4832

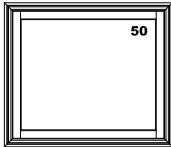


CCTTH5432

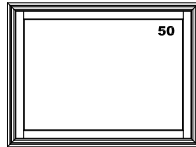


CCTTH5632

38 1/2"(978)  
40 1/16"(1018)  
36 3/4"(933)  
36"(914)  
27 9/16"(700)



CCTTH4236



CCTTH4836

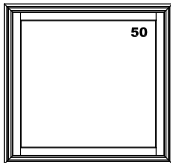


CCTTH5436

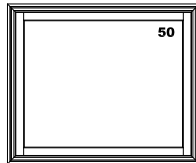


CCTTH5636

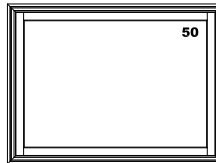
42 1/2"(1080)  
44 1/16"(1119)  
40 3/4"(1035)  
40"(1016)  
31 9/16"(802)



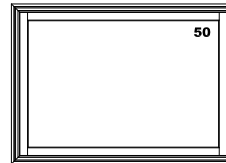
CCTTH4240



CCTTH4840

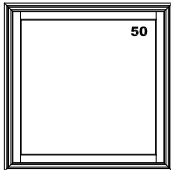


CCTTH5440

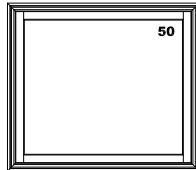


CCTTH5640

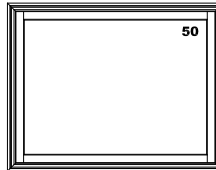
44 1/2"(1130)  
46 1/16"(1170)  
42 3/4"(1086)  
42"(1067)  
33 9/16"(852)



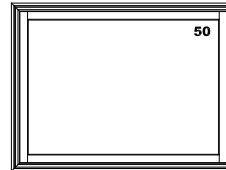
CCTTH4242



CCTTH4842



CCTTH5442



CCTTH5642

**ELEVATION SYMBOL LEGEND:**

M.O. = MASORNY OPENING  
VALUES IN ( ) ARE IN MILLIMETER CONVERSIONS  
## NUMBER INDICATES PERFORMANCE GRADE (PG) RATING WITH STANDARD GLAZING

Note: Elevations shown DO NOT have exterior trim. Subtract 1/2"(12.7) from M.O.(Masonry Opening) for Unit Sizes. Masonry openings above include Sill Nose, see Trim Options page for Sill Nose specifications. For other Trim Options refer to the Unit Sizing, Rough Opening & Masonry Openings page.

**OPERATOR ELEVATIONS**

MO BRICKMOLD  
MO FLAT CASING  
ROUGH OPENING  
FRAME SIZE  
DAYLIGHT OPENING

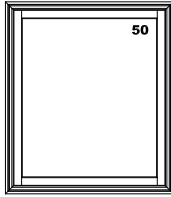
45 1/4"(1149)  
48 5/16"(1227)  
42 3/4"(1086)  
42"(1067)  
33 9/16"(852)

51 1/4"(1302)  
54 5/16"(1380)  
48 3/4"(1238)  
48"(1219)  
39 9/16"(1005)

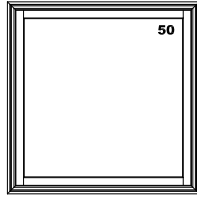
56 1/2"(1435)  
58 1/16"(1475)  
54 3/4"(1391)  
54"(1372)  
45 9/16"(1157)

58 1/2"(1486)  
60 1/16"(1526)  
56 3/4"(1441)  
56"(1422)  
47 9/16"(1208)

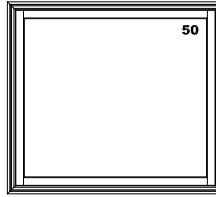
50 1/2"(1283)  
52 1/16"(1322)  
48 3/4"(1238)  
48"(1219)  
39 9/16"(1005)



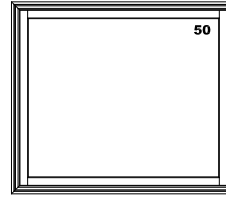
CCTTH4248



CCTTH4848



CCTTH5448



CCTTH5648

**ELEVATION SYMBOL LEGEND:**

M.O. = MASORNY OPENING  
VALUES IN ( ) ARE IN MILLIMETER CONVERSIONS  
## NUMBER INDICATES PERFORMANCE GRADE (PG) RATING WITH STANDARD GLAZING

Note: Elevations shown DO NOT have exterior trim. Subtract 1/2"(12.7) from M.O.(Masonry Opening) for Unit Sizes. Masonry openings above Include Sill Nose, see Trim Options page for Sill Nose specifications. For other Trim Options refer to the Unit Sizing, Rough Opening & Masonry Openings page.



**OPERATOR ELEVATIONS**

MO BRICKMOLD  
MO FLAT CASING  
ROUGH OPENING  
FRAME SIZE  
DAYLIGHT OPENING

62 1/2"(1588)  
64 1/16"(1627)  
60 3/4"(1543)  
60"(1524)  
51 9/16"(1310)

66 1/2"(1689)  
68 1/16"(1729)  
64 3/4"(1645)  
64"(1626)  
55 9/16"(1411)

70 1/2"(1791)  
72 1/16"(1830)  
68 3/4"(1746)  
68"(1727)  
59 9/16"(1513)

22 1/2"(572)  
24 1/16"(611)  
20 3/4"(527)  
20"(508)  
11 9/16"(294)



CCTTH6020



CCTTH6420



CCTTH6620

26 1/2"(673)  
28 1/16"(713)  
24 3/4"(629)  
24"(610)  
15 9/16"(395)



CCTTH6024



CCTTH6424

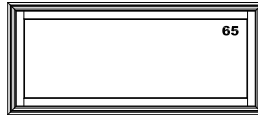


CCTTH6624

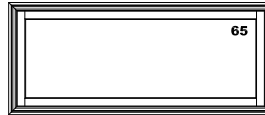
31 1/4"(794)  
34 5/16"(872)  
28 3/4"(730)  
28"(711)  
19 9/16"(497)



CCTTH6028



CCTTH6428



CCTTH6628

32 1/2"(826)  
34 1/16"(865)  
30 3/4"(781)  
30"(762)  
21 9/16"(547)



CCTTH6030

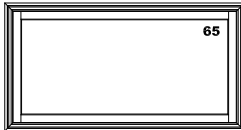


CCTTH6430



CCTTH6630

34 1/2"(876)  
36 1/16"(916)  
32 3/4"(832)  
32"(813)  
23 9/16"(598)



CCTTH6032

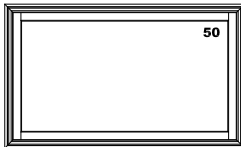


CCTTH6432

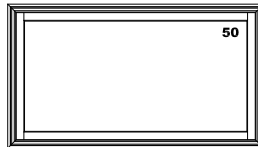


CCTTH6632

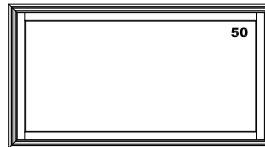
38 1/2"(978)  
40 1/16"(1018)  
36 3/4"(933)  
36"(914)  
27 9/16"(700)



CCTTH6036



CCTTH6436



CCTTH6636

42 1/2"(1080)  
44 1/16"(1119)  
40 3/4"(1035)  
40"(1016)  
31 9/16"(802)



CCTTH6040

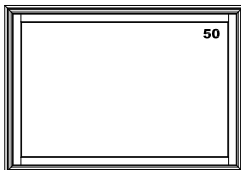


CCTTH6440



CCTTH6640

44 1/2"(1130)  
46 1/16"(1170)  
42 3/4"(1086)  
42"(1067)  
33 9/16"(852)



CCTTH6042



CCTTH6442



CCTTH6642

**ELEVATION SYMBOL LEGEND:**

M.O. = MASORNY OPENING  
VALUES IN ( ) ARE IN MILLIMETER CONVERSIONS  
## NUMBER INDICATES PERFORMANCE GRADE (PG) RATING WITH STANDARD GLAZING

Note: Elevations shown DO NOT have exterior trim. Subtract 1/2"(12.7) from M.O. (Masonry Opening) for Unit Sizes. Masonry openings above include Sill Nose, see Trim Options page for Sill Nose specifications. For other Trim Options refer to the Unit Sizing, Rough Opening & Masonry Openings page.

**OPERATOR ELEVATIONS**

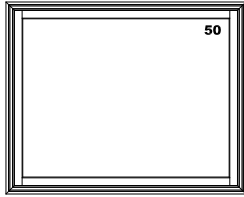
MO BRICKMOLD  
MO FLAT CASING  
ROUGH OPENING  
FRAME SIZE  
DAYLIGHT OPENING

62 1/2"(1588)  
64 1/16"(1627)  
60 3/4"(1543)  
60"(1524)  
51 9/16"(1310)

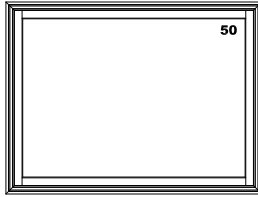
66 1/2"(1689)  
68 1/16"(1729)  
64 3/4"(1645)  
64"(1626)  
55 9/16"(1411)

70 1/2"(1791)  
72 1/16"(1830)  
68 3/4"(1746)  
68"(1727)  
59 9/16"(1513)

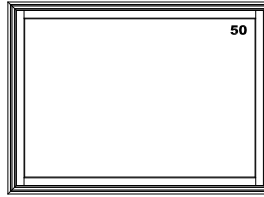
50 1/2"(1283)  
52 1/16"(1322)  
48 3/4"(1238)  
48"(1219)  
39 9/16"(1005)



CCTTH6048



CCTTH6448



CCTTH6648

**ELEVATION SYMBOL LEGEND:**

M.O. = MASORNY OPENING  
VALUES IN ( ) ARE IN MILLIMETER CONVERSIONS  
## NUMBER INDICATES PERFORMANCE GRADE (PG) RATING WITH STANDARD GLAZING

Note: Elevations shown DO NOT have exterior trim. Subtract 1/2"(12.7) from M.O.(Masonry Opening) for Unit Sizes. Masonry openings above include Sill Nose, see Trim Options page for Sill Nose specifications. For other Trim Options refer to the Unit Sizing, Rough Opening & Masonry Openings page.

**OPERATOR ELEVATIONS**

MO BRICKMOLD  
MO FLAT CASING  
ROUGH OPENING  
FRAME SIZE  
DAYLIGHT OPENING

74 1/2"(1892)  
76 1/16"(1932)  
72 3/4"(1848)  
72"(1829)  
63 9/16"(1614)

22 1/2"(572)  
24 1/16"(611)  
20 3/4"(527)  
20"(508)  
11 9/16"(294)



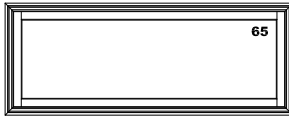
CCTTH7220

26 1/2"(673)  
28 1/16"(713)  
24 3/4"(629)  
24"(610)  
15 9/16"(395)



CCTTH7224

31 1/4"(794)  
34 5/16"(872)  
28 3/4"(730)  
28"(711)  
19 9/16"(487)



CCTTH7228

32 1/2"(826)  
34 1/16"(865)  
30 3/4"(781)  
30"(762)  
21 9/16"(547)



CCTTH7230

34 1/2"(876)  
36 1/16"(916)  
32 3/4"(832)  
32"(813)  
23 9/16"(598)



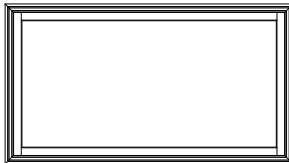
CCTTH7232

38 1/2"(978)  
40 1/16"(1018)  
36 3/4"(933)  
36"(914)  
27 9/16"(700)



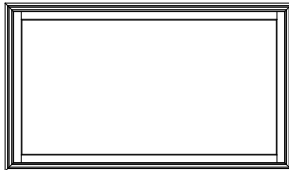
CCTTH7236

42 1/2"(1080)  
44 1/16"(1119)  
40 3/4"(1035)  
40"(1016)  
31 9/16"(802)



CCTTH7240

44 1/2"(1130)  
46 1/16"(1170)  
42 3/4"(1086)  
42"(1067)  
33 9/16"(852)



CCTTH7242

MO BRICKMOLD  
MO FLAT CASING  
ROUGH OPENING  
FRAME SIZE  
DAYLIGHT OPENING

74 1/2"(1892)  
76 1/16"(1932)  
72 3/4"(1848)  
72"(1829)  
63 9/16"(1614)

50 1/2"(1283)  
52 1/16"(1322)  
48 3/4"(1238)  
48"(1219)  
39 9/16"(1005)



CCTTH7248

**ELEVATION SYMBOL LEGEND:**

M.O. = MASORNY OPENING  
VALUES IN ( ) ARE IN MILLIMETER CONVERSIONS  
## NUMBER INDICATES PERFORMANCE GRADE (FG) RATING WITH STANDARD GLAZING

Note: Elevations shown DO NOT have exterior trim. Subtract 1/2"(12.7) from M.O.(Masonry Opening) for Unit Sizes. Masonry openings above include Sill Nose, see Trim Options page for Sill Nose specifications. For other Trim Options refer to the Unit Sizing, Rough Opening & Masonry Openings page.

**PICTURE UNIT ELEVATIONS**

MO BRICKMOLD  
MO FLAT CASING  
ROUGH OPENING  
FRAME SIZE  
DAYLIGHT OPENING

43 1/4"(1099)  
46 5/16"(1118)  
40 3/4"(1035)  
40"(1016)  
31 9/16"(802)

45 1/4"(1149)  
48 5/16"(1227)  
42 3/4"(1086)  
42"(1067)  
33 9/16"(852)

51 1/4"(1302)  
54 5/16"(1380)  
48 3/4"(1238)  
48"(1219)  
39 9/16"(1005)

57 1/4"(1454)  
60 5/16"(1532)  
54 3/4"(1391)  
54"(1372)  
45 9/16"(1157)

59 1/4"(1505)  
62 5/16"(1583)  
56 3/4"(1441)  
56"(1422)  
47 9/16"(1208)

20 1/2"(521)  
22 1/16"(566)  
18 3/4"(476)  
18 1/4"(463)  
9 9/16"(243)



CCTTHP4018



CCTTHP4218



CCTTHP4818



CCTTHP5418

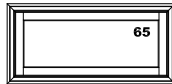


CCTTHP5618

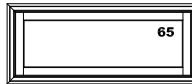
22 1/2"(572)  
24 1/16"(617)  
20 3/4"(527)  
20 7/8"(530)  
11 9/16"(294)



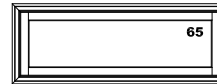
CCTTHP4020



CCTTHP4220



CCTTHP4820

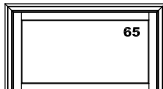


CCTTHP5420

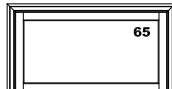


CCTTHP5620

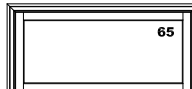
26 1/2"(673)  
28 1/16"(718)  
24 3/4"(628)  
24 7/8"(631)  
15 9/16"(395)



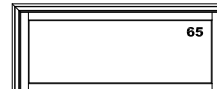
CCTTHP4024



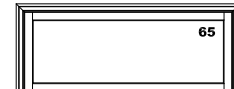
CCTTHP4224



CCTTHP4824



CCTTHP5424



CCTTHP5624

32 1/2"(826)  
34 1/16"(861)  
30 3/4"(781)  
30 7/8"(784)  
21 9/16"(547)



CCTTHP4030



CCTTHP4230



CCTTHP4830



CCTTHP5430



CCTTHP5630

34 1/2"(876)  
36 1/16"(911)  
32 3/4"(831)  
32 7/8"(834)  
23 9/16"(598)



CCTTHP4032



CCTTHP4232



CCTTHP4832



CCTTHP5432



CCTTHP5632

38 1/2"(978)  
40 1/16"(1013)  
36 3/4"(933)  
36 7/8"(936)  
27 9/16"(700)



CCTTHP4036



CCTTHP4236



CCTTHP4836



CCTTHP5436

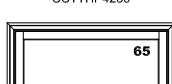


CCTTHP5636

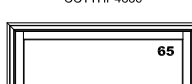
42 1/2"(1080)  
44 1/16"(1115)  
40 3/4"(1035)  
40 7/8"(1038)  
31 9/16"(802)



CCTTHP4040



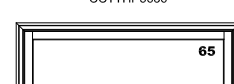
CCTTHP4240



CCTTHP4840



CCTTHP5440



CCTTHP5640

44 1/2"(1130)  
46 1/16"(1165)  
42 3/4"(1085)  
42 7/8"(1088)  
33 9/16"(852)



CCTTHP4042



CCTTHP4242



CCTTHP4842



CCTTHP5442



CCTTHP5642

**ELEVATION SYMBOL LEGEND:**

M.O. = MASORNY OPENING  
VALUES IN ( ) ARE IN MILLIMETER CONVERSIONS  
## NUMBER INDICATES DESIGN PRESSURE (DP) RATING WITH STANDARD GLAZING

Note: Elevations shown DO NOT have exterior trim. Subtract 1/2"(12.7) from M.O.(Masonry Opening) for Unit Sizes. Masonry openings above include Sill Nose, see Trim Options page for Sill Nose specifications. For other Trim Options refer to the Unit Sizing, Rough Opening & Masonry Openings page.

PICTURE UNIT ELEVATIONS

MO BRICKMOLD  
MO FLAT CASING  
ROUGH OPENING  
FRAME SIZE  
DAYLIGHT OPENING

43 1/4"(1099)  
46 5/16"(1118)  
40 3/4"(1035)  
40"(1016)  
31 9/16"(802)

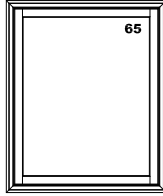
45 1/4"(1149)  
48 5/16"(1227)  
42 3/4"(1086)  
42"(1067)  
33 9/16"(852)

51 1/4"(1302)  
54 5/16"(1380)  
48 3/4"(1238)  
48"(1219)  
39 9/16"(1005)

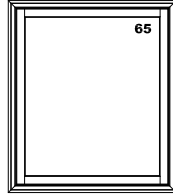
57 1/4"(1454)  
60 5/16"(1532)  
54 3/4"(1391)  
54"(1372)  
45 9/16"(1157)

59 1/4"(1505)  
62 5/16"(1583)  
56 3/4"(1441)  
56"(1422)  
47 9/16"(1208)

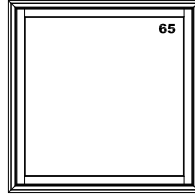
50 1/2"(1283)  
52 1/16"(1322)  
48 3/4"(1238)  
48"(1219)  
39 9/16"(1005)



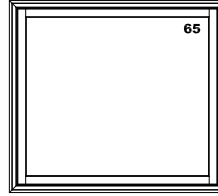
CCTTHP4048



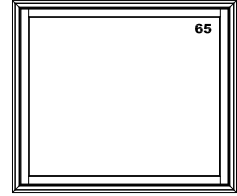
CCTTHP4248



CCTTHP4848

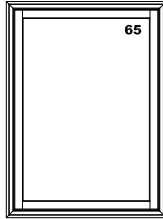


CCTTHP5448

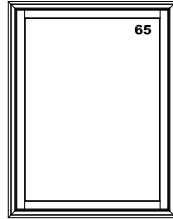


CCTTHP5648

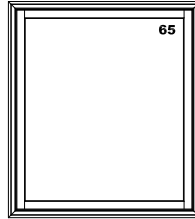
56 1/2"(1435)  
58 1/16"(1475)  
54 3/4"(1391)  
54"(1372)  
45 9/16"(1157)



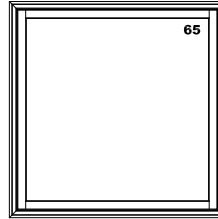
CCTTHP4054



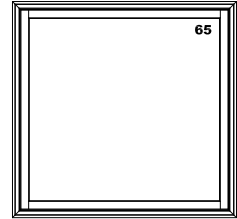
CCTTHP4254



CCTTHP4854

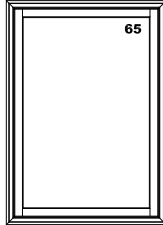


CCTTHP5454

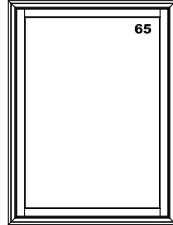


CCTTHP5654

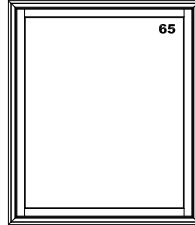
58 1/2"(1486)  
60 1/16"(1526)  
56 3/4"(1441)  
56"(1422)  
47 9/16"(1208)



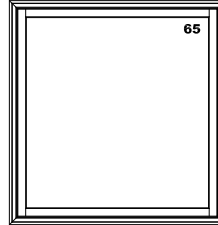
CCTTHP4056



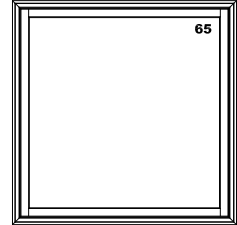
CCTTHP4256



CCTTHP4856

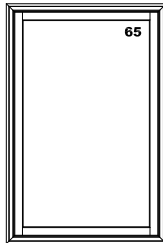


CCTTHP5456

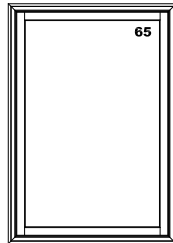


CCTTHP5656

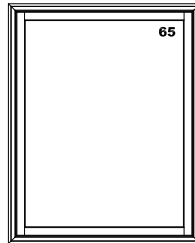
62 1/2"(1688)  
64 1/16"(1627)  
60 3/4"(1543)  
60"(1524)  
51 9/16"(1310)



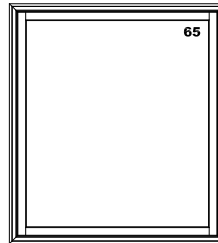
CCTTHP4060



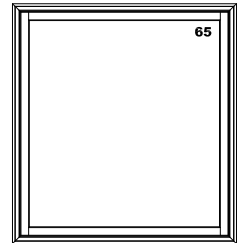
CCTTHP4260



CCTTHP4860

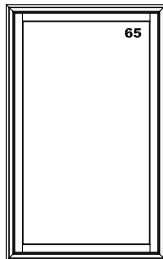


CCTTHP5460

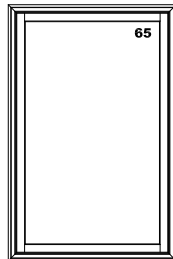


CCTTHP5660

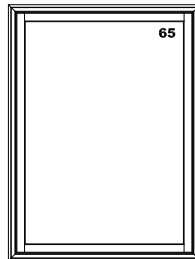
66 1/2"(1689)  
68 1/16"(1729)  
64 3/4"(1645)  
64"(1626)  
55 9/16"(1411)



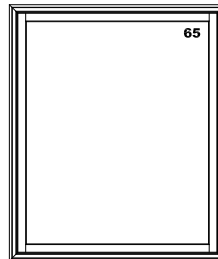
CCTTHP4064



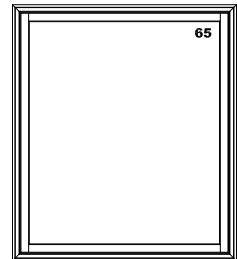
CCTTHP4264



CCTTHP4864



CCTTHP5464



CCTTHP5664

**ELEVATION SYMBOL LEGEND:**

M.O. = MASORNY OPENING  
VALUES IN ( ) ARE IN MILLIMETER CONVERSIONS  
## NUMBER INDICATES DESIGN PRESSURE (DP) RATING WITH STANDARD GLAZING

Note: Elevations shown DO NOT have exterior trim. Subtract 1/2"(12.7) from M.O.(Masonry Opening) for Unit Sizes. Masonry openings above include Sill Nose, see Trim Options page for Sill Nose specifications. For other Trim Options refer to the Unit Sizing, Rough Opening & Masonry Openings page.

PICTURE UNIT ELEVATIONS

MO BRICKMOLD  
MO FLAT CASING  
ROUGH OPENING  
FRAME SIZE  
DAYLIGHT OPENING

43 1/4"(1099)  
46 5/16"(1118)  
40 3/4"(1035)  
40"(1016)  
31 9/16"(802)

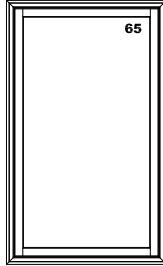
45 1/4"(1149)  
48 5/16"(1227)  
42 3/4"(1086)  
42"(1067)  
33 9/16"(852)

51 1/4"(1302)  
54 5/16"(1380)  
48 3/4"(1238)  
48"(1219)  
39 9/16"(1005)

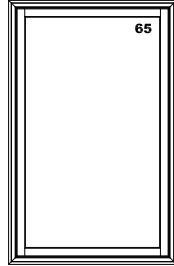
57 1/4"(1454)  
60 5/16"(1532)  
54 3/4"(1391)  
54"(1372)  
45 9/16"(1157)

59 1/4"(1505)  
62 5/16"(1583)  
56 3/4"(1441)  
56"(1422)  
47 9/16"(1208)

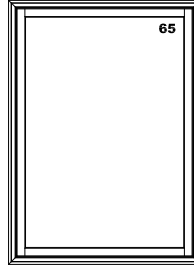
68 1/2"(1740)  
70 1/16"(1780)  
66 3/4"(1695)  
66"(1679)  
57 9/16"(1462)



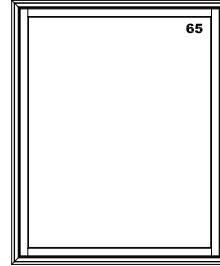
CCTTHP4066



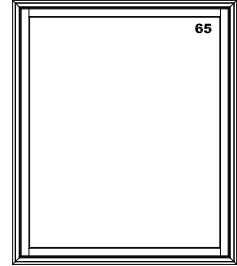
CCTTHP4266



CCTTHP4866

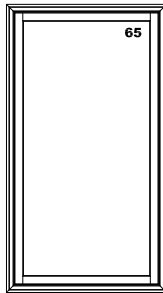


CCTTHP5466

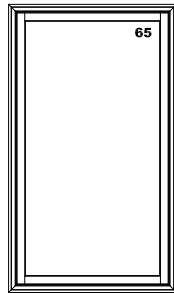


CCTTHP5666

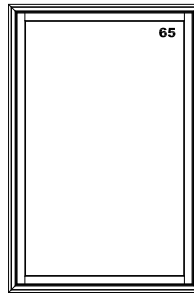
74 1/2"(1892)  
76 1/16"(1932)  
72 3/4"(1846)  
72"(1828)  
63 9/16"(1614)



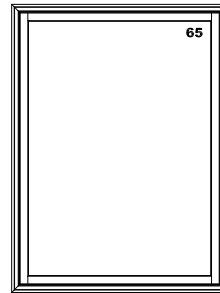
CCTTHP4072



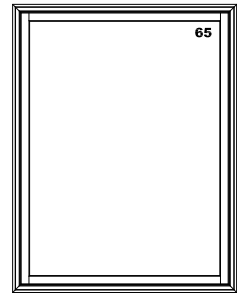
CCTTHP4272



CCTTHP4872

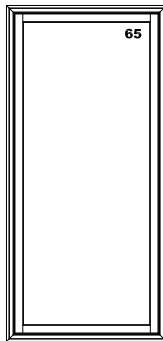


CCTTHP5472

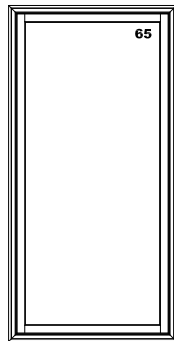


CCTTHP5672

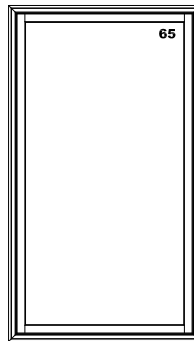
88 1/2"(2197)  
88 1/16"(2237)  
84 3/4"(2165)  
84"(2148)  
75 9/16"(1919)



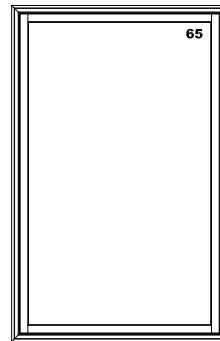
CCTTHP4084



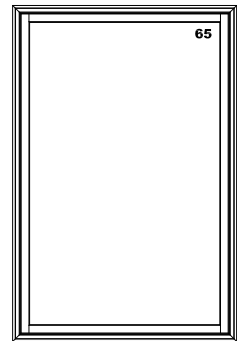
CCTTHP4284



CCTTHP4884



CCTTHP5484



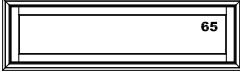


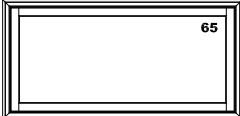
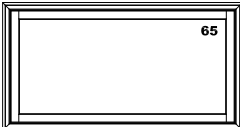
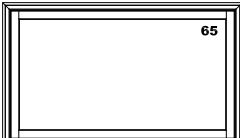
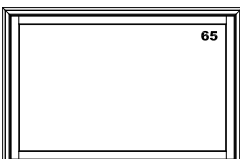
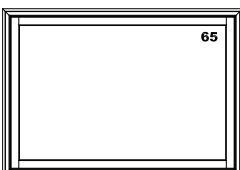
CCTTHP5684

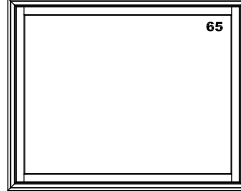
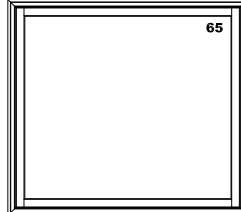
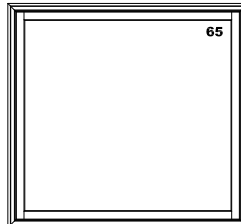
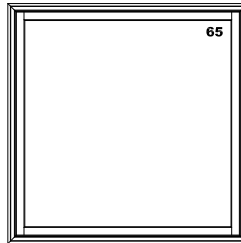
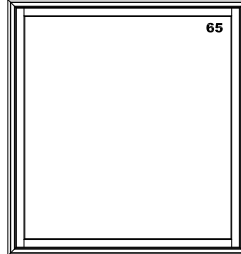
**ELEVATION SYMBOL LEGEND:**

M.O. = MASORNY OPENING  
VALUES IN ( ) ARE IN MILLIMETER CONVERSIONS  
## NUMBER INDICATES DESIGN PRESSURE (DP) RATING WITH STANDARD GLAZING

Note: Elevations shown DO NOT have exterior trim. Subtract 1/2"(12.7) from M.O. (Masonry Opening) for Unit Sizes. Masonry openings above include Sill Nose, see Trim Options page for Sill Nose specifications. For other Trim Options refer to the Unit Sizing, Rough Opening & Masonry Openings page.

**PICTURE UNIT ELEVATIONS**

MO BRICKMOLD MO FLAT CASING ROUGH OPENING FRAME SIZE DAYLIGHT OPENING	63 1/4"(1607) 66 5/16"(1118) 60 3/4"(1543) 60"(1524) 51 9/16"(1310)	
		CCTTHP6018
	20 1/2"(521) 22 1/16"(560) 18 3/4"(476) 18"(457) 9 9/16"(243)	
		CCTTHP6020
	22 1/2"(572) 24 1/16"(611) 20 3/4"(527) 20"(508) 11 9/16"(294)	
		CCTTHP6024
	26 1/2"(673) 28 1/16"(713) 24 3/4"(629) 24"(610) 15 9/16"(395)	
		CCTTHP6030
	32 1/2"(826) 34 1/16"(865) 30 3/4"(781) 30"(762) 21 9/16"(547)	
		CCTTHP6032
	34 1/2"(876) 36 1/16"(916) 32 3/4"(832) 32"(813) 23 9/16"(598)	
		CCTTHP6036
	38 1/2"(978) 40 1/16"(1018) 36 3/4"(933) 36"(914) 27 9/16"(700)	
		CCTTHP6040
	42 1/2"(1080) 44 1/16"(1119) 40 3/4"(1035) 40"(1016) 31 9/16"(802)	
		CCTTHP6042

MO BRICKMOLD MO FLAT CASING ROUGH OPENING FRAME SIZE DAYLIGHT OPENING	63 1/4"(1607) 66 5/16"(1118) 60 3/4"(1543) 60"(1524) 51 9/16"(1310)	
		CCTTHP6048
	50 1/2"(1283) 52 1/16"(1326) 48 3/4"(1238) 48"(1219) 39 9/16"(1005)	
		CCTTHP6054
	56 1/2"(1435) 58 1/16"(1475) 54 3/4"(1381) 54"(1372) 45 9/16"(1157)	
		CCTTHP6056
	58 1/2"(1486) 60 1/16"(1526) 56 3/4"(1441) 56"(1422) 47 9/16"(1208)	
		CCTTHP6060
	62 1/2"(1588) 64 1/16"(1627) 60 3/4"(1543) 60"(1524) 51 9/16"(1310)	
		CCTTHP6064

**ELEVATION SYMBOL LEGEND:**  
M.O. = MASORNY OPENING  
VALUES IN ( ) ARE IN MILLIMETER CONVERSIONS  
## NUMBER INDICATES DESIGN PRESSURE (DP) RATING WITH STANDARD GLAZING

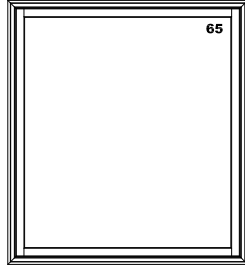
Note: Elevations shown DO NOT have exterior trim. Subtract 1/2"(12.7) from M.O.(Masonry Opening) for Unit Sizes. Masonry openings above include Sill Nose, see Trim Options page for Sill Nose specifications. For other Trim Options refer to the Unit Siding, Rough Opening & Masonry Openings page.

PICTURE UNIT ELEVATIONS

MO BRICKMOLD  
MO FLAT CASING  
ROUGH OPENING  
FRAME SIZE  
DAYLIGHT OPENING

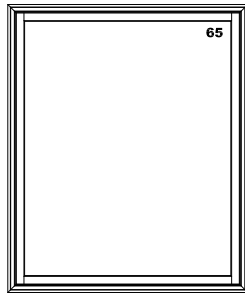
63 1/4"(1607)  
66 5/16"(1118)  
60 3/4"(1543)  
60"(1524)  
51 9/16"(1310)

68 1/2"(1740)  
70 1/16"(1780)  
66 3/4"(1685)  
66"(1676)  
57 9/16"(1462)



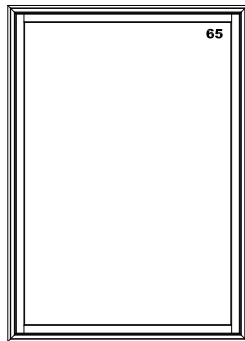
CCTTHP6066

74 1/2"(1882)  
76 1/16"(1922)  
72 3/4"(1846)  
72"(1829)  
63 9/16"(1614)



CCTTHP6072

68 1/2"(2197)  
68 1/16"(2237)  
64 3/4"(2153)  
64"(2134)  
75 9/16"(1919)



CCTTHP6084

**ELEVATION SYMBOL LEGEND:**  
M.O. = MASORNY OPENING  
VALUES IN ( ) ARE IN MILLIMETER CONVERSIONS  
## NUMBER INDICATES DESIGN PRESSURE (DP) RATING WITH STANDARD GLAZING

Note: Elevations shown DO NOT have exterior trim. Subtract 1/2"(12.7) from M.O.(Masonry Opening) for Unit Sizes. Masonry openings above include Sill Nose, see Trim Options page for Sill Nose specifications. For other Trim Options refer to the Unit Sizing, Rough Opening & Masonry Openings page.



**2 WIDE UNIT ELEVATIONS**

MO BRICKMOLD MO FLAT CASING ROUGH OPENING FRAME SIZE DAYLIGHT OPENING	51 1/4"(1302) 54 5/16"(1380) 48 3/4"(1238) 48*(1219) 15 9/16"(395)[2]	59 1/4"(1505) 62 5/16"(1583) 56 3/4"(1441) 56*(1422) 19 9/16"(497)[2]	63 1/4"(1607) 66 5/16"(1684) 60 3/4"(1543) 60*(1524) 21 9/16"(547)[2]	67 1/4"(1708) 70 5/16"(1786) 64 3/4"(1645) 64*(1626) 23 9/16"(598)[2]	75 1/4"(1911) 78 5/16"(1989) 72 3/4"(1848) 72*(1829) 27 9/16"(700)[2]
20 1/2"(521) 22 1/2"(572) 26 1/2"(673) 32 1/2"(826) 34 1/2"(876) 38 1/2"(978) 42 1/2"(1080) 44 1/2"(1130) 50 1/2"(1283) 56 1/2"(1435) 58 1/2"(1486) 62 1/2"(1588)	20 1/2"(521) 24 1/16"(611) 24 3/4"(629) 30 3/4"(781) 32 3/4"(832) 36 3/4"(933) 40 3/4"(1035) 42 3/4"(1087) 48 3/4"(1238) 54 3/4"(1391) 56*(1422) 60 3/4"(1543)	24 1/16"(611) 24 3/4"(629) 30 3/4"(781) 30 7/62) 36 3/4"(933) 40 3/4"(1035) 40 7/1016) 31 9/16"(802)	24 1/16"(611) 24 3/4"(629) 30 3/4"(781) 30 7/62) 36 3/4"(933) 40 3/4"(1035) 40 7/1016) 31 9/16"(802)	24 1/16"(611) 24 3/4"(629) 30 3/4"(781) 30 7/62) 36 3/4"(933) 40 3/4"(1035) 40 7/1016) 31 9/16"(802)	24 1/16"(611) 24 3/4"(629) 30 3/4"(781) 30 7/62) 36 3/4"(933) 40 3/4"(1035) 40 7/1016) 31 9/16"(802)
CCTTH2418-2	CCTTH2818-2	CCTTH3018-2	CCTTH3218-2	CCTTH3618-2	
CCTTH2420-2	CCTTH2820-2	CCTTH3020-2	CCTTH3220-2	CCTTH3620-2	
CCTTH2424-2	CCTTH2824-2	CCTTH3024-2	CCTTH3224-2	CCTTH3624-2	
CCTTH2430-2	CCTTH2830-2	CCTTH3030-2	CCTTH3230-2	CCTTH3630-2	
CCTTH2432-2	CCTTH2832-2	CCTTH3032-2	CCTTH3232-2	CCTTH3632-2	
CCTTH2436-2	CCTTH2836-2	CCTTH3036-2	CCTTH3236-2	CCTTH3636-2	
CCTTH2440-2	CCTTH2840-2	CCTTH3040-2	CCTTH3240-2	CCTTH3640-2	
CCTTH2442-2	CCTTH2842-2	CCTTH3042-2	CCTTH3242-2	CCTTH3642-2	
CCTTH2448-2	CCTTH2848-2	CCTTH3048-2	CCTTH3248-2	CCTTH3648-2	
CCTTH2454-2	CCTTH2854-2	CCTTH3054-2	CCTTH3254-2	CCTTH3654-2	
CCTTH2456-2	CCTTH2856-2	CCTTH3056-2	CCTTH3256-2	CCTTH3656-2	
CCTTH2460-2	CCTTH2860-2	CCTTH3060-2	CCTTH3260-2	CCTTH3660-2	

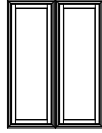
**ELEVATION SYMBOL LEGEND:**  
M.O. = MASORNY OPENING  
VALUES IN ( ) ARE IN MILLIMETER CONVERSIONS  
\* AVAILABLE ONLY AS A STATIONARY WINDOW

Note: Elevations shown DO NOT have exterior trim. Subtract 1/2"(12.7) from M.O.(Masonry Opening) for Unit Sizes. Masonry openings above include Sill Nose, see Trim Options page for Sill Nose specifications. For other Trim Options refer to the Unit Sizing, Rough Opening & Masonry Openings page.

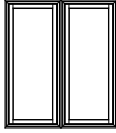
**2 WIDE UNIT ELEVATIONS**

MO BRICKMOLD	51 1/4"(1302)	59 1/4"(1505)	63 1/4"(1607)	67 1/4"(1708)	75 1/4"(1911)
MO FLAT CASING	54 5/16"(1380)	62 5/16"(1583)	66 5/16"(1684)	70 5/16"(1786)	78 5/16"(1989)
ROUGH OPENING	48 3/4"(1238)	56 3/4"(1441)	60 3/4"(1543)	64 3/4"(1645)	72 3/4"(1848)
FRAME SIZE	48"(1219)	56"(1422)	60"(1524)	64"(1626)	72"(1829)
DAYLIGHT OPENING	15 9/16"(395)[2]	19 9/16"(497)[2]	21 9/16"(547)[2]	23 9/16"(598)[2]	27 9/16"(700)[2]

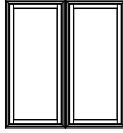
66 1/2"(1688)  
68 1/16"(1728)  
64 3/4"(1645)  
55 9/16"(1411)



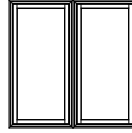
CCTTH2464-2



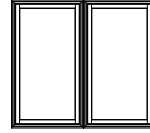
CCTTH2864-2



CCTTH3064-2

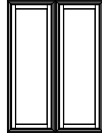


CCTTH3264-2

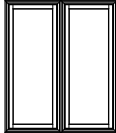


CCTTH3664-2

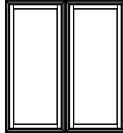
68 1/2"(1740)  
70 1/16"(1780)  
68 3/4"(1685)  
61 1/16"(1578)  
57 9/16"(1462)



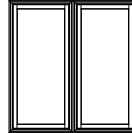
CCTTH2466-2



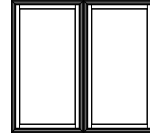
CCTTH2866-2



CCTTH3066-2

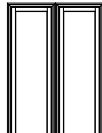


CCTTH3266-2

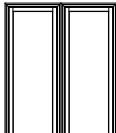


CCTTH3666-2

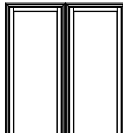
74 1/2"(1892)  
76 1/16"(1932)  
72 3/4"(1846)  
63 9/16"(1614)



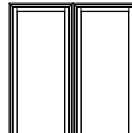
CCTTH2472-2



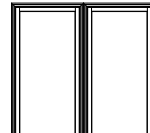
CCTTH2872-2



CCTTH3072-2



CCTTH3272-2



CCTTH3672-2

**ELEVATION SYMBOL LEGEND:**

M.O. = MASORNY OPENING  
VALUES IN ( ) ARE IN MILLIMETER CONVERSIONS  
\* AVAILABLE ONLY AS A STATIONARY WINDOW

**3 WIDE UNIT ELEVATIONS**

MO BRICKMOLD MO FLAT CASING ROUGH OPENING FRAME SIZE DAYLIGHT OPENING	75 1/4"(1911) 78 5/16"(1899) 72 3/4"(1848) 72"(1829) 15 9/16"(395)[3]	87 1/4"(2216) 90 5/16"(2294) 84 3/4"(2153) 84"(2134) 19 9/16"(497)[3]	93 1/4"(2369) 96 5/16"(2446) 90 3/4"(2305) 90"(2286) 21 9/16"(547)[3]	99 1/4"(2521) 102 5/16"(2599) 96 3/4"(2457) 96"(2438) 23 9/16"(596)[3]	111 1/4"(2856) 114 5/16"(2904) 108 3/4"(2762) 108"(2743) 27 9/16"(700)[3]
20 1/2"(521) 24 1/16"(611) 22 1/16"(566) 18 3/4"(476) 18 1/8"(465) 20 (509)					
22 1/2"(572) 24 1/16"(611) 20 3/4"(527) 18 3/4"(476) 20 (509)					
26 1/2"(673) 28 1/16"(713) 24 3/4"(629) 24 3/4"(629) 24 (610) 15 9/16"(395)					
32 1/2"(826) 34 1/16"(865) 30 3/4"(781) 30 (762) 21 9/16"(547)					
34 1/2"(876) 36 1/16"(916) 32 3/4"(832) 32 (813) 23 9/16"(596)					
38 1/2"(978) 40 1/16"(1018) 36 3/4"(933) 36 (914) 27 9/16"(700)					
42 1/2"(1080) 44 1/16"(1119) 40 3/4"(1035) 40 (1016) 31 9/16"(802)					
44 1/2"(1130) 46 1/16"(1170) 42 3/4"(1087) 42 (1067) 33 9/16"(862)					
50 1/2"(1283) 52 1/16"(1323) 48 3/4"(1238) 48 (1219) 39 9/16"(1005)					
56 1/2"(1435) 58 1/16"(1475) 54 3/4"(1391) 54 (1372) 45 9/16"(1157)					
58 1/2"(1485) 60 1/16"(1525) 56 3/4"(1441) 56 (1422) 47 9/16"(1208)					
62 1/2"(1588) 64 1/16"(1627) 60 3/4"(1543) 60 (1524) 51 9/16"(1310)					

**ELEVATION SYMBOL LEGEND:**  
M.O. = MASORNY OPENING  
VALUES IN ( ) ARE IN MILLIMETER CONVERSIONS  
\* AVAILABLE ONLY AS A STATIONARY WINDOW

Note: Elevations shown DO NOT have exterior trim. Subtract 1/2"(12.7) from M.O.(Masonry Opening) for Unit Sizes. Masonry openings above include Sill Nose, see Trim Options page for Sill Nose specifications. For other Trim Options refer to the Unit Sizing, Rough Opening & Masonry Openings page.

**3 WIDE UNIT ELEVATIONS**

MO BRICKMOLD	75 1/4"(1911)	87 1/4"(2216)	93 1/4"(2369)	99 1/4"(2521)	111 1/4"(2856)
MO FLAT CASING	78 5/16"(1989)	90 5/16"(2294)	96 5/16"(2446)	102 5/16"(2599)	114 5/16"(2904)
ROUGH OPENING	72 3/4"(1848)	84 3/4"(2153)	90 3/4"(2305)	96 3/4"(2457)	108 3/4"(2762)
FRAME SIZE	72"(1829)	84"(2134)	90"(2286)	96"(2438)	108"(2743)
DAYLIGHT OPENING	15 9/16"(395)[3]	19 9/16"(497)[3]	21 9/16"(547)[3]	23 9/16"(598)[3]	27 9/16"(700)[3]

66 1/2"(1689)					
68 1/16"(1729)	CCTTH2464-3	CCTTH2864-3	CCTTH3064-3	CCTTH3264-3	CCTTH3664-3
64 3/4"(1645)					
64"(1626)					
55 9/16"(1411)					

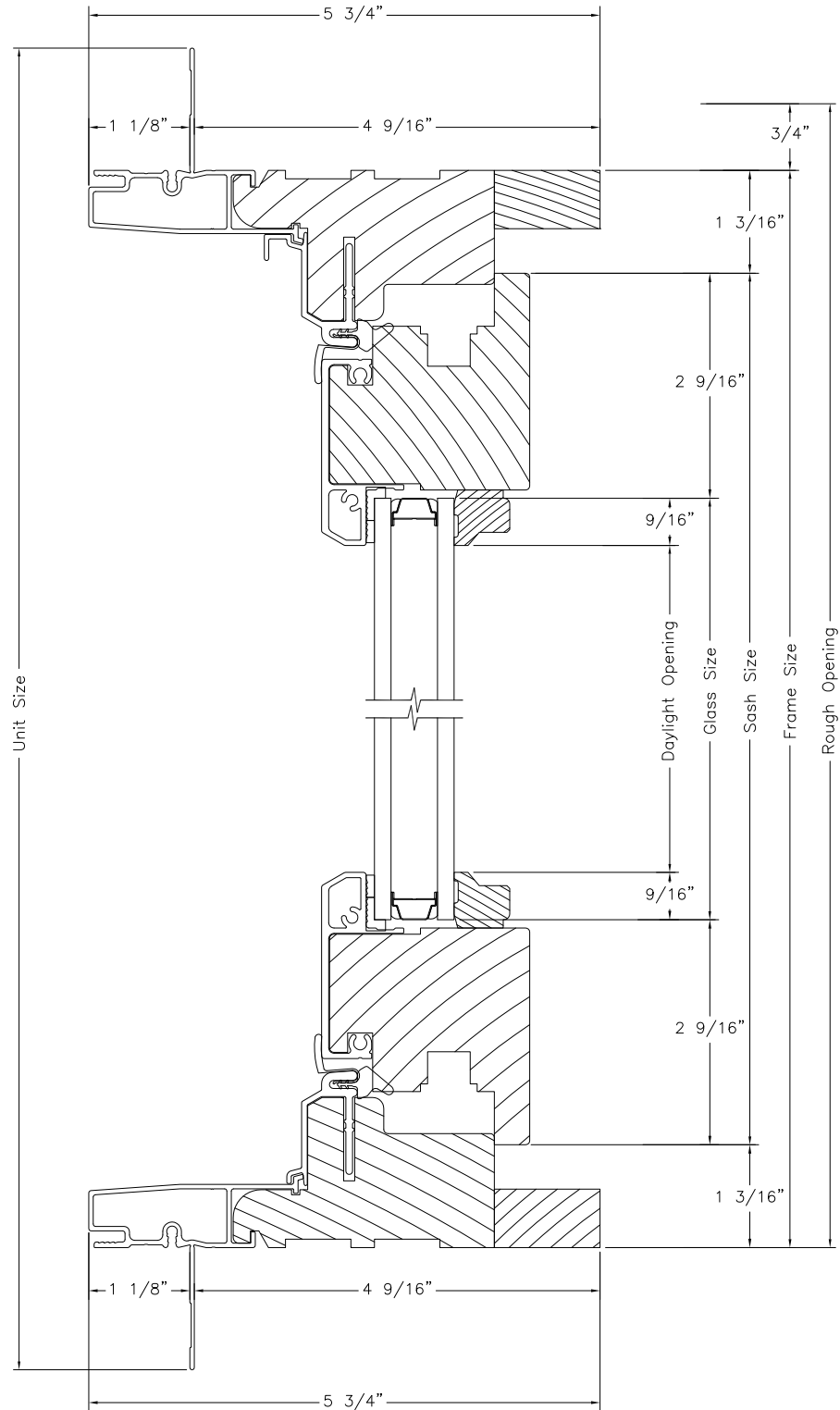
68 1/2"(1740)					
70 1/16"(1780)	CCTTH2466-3	CCTTH2866-3	CCTTH3066-3	CCTTH3266-3	CCTTH3666-3
66 3/4"(1695)					
66"(1676)					
57 9/16"(1462)					

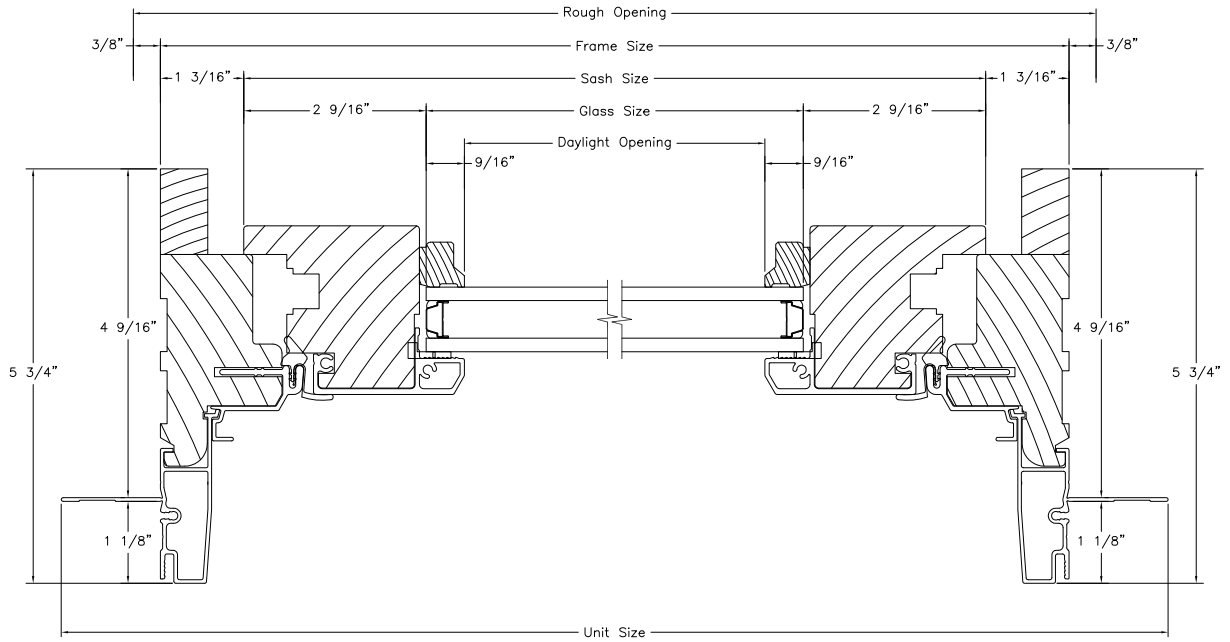
74 1/2"(1892)					
76 1/16"(1932)	CCTTH2472-3	CCTTH2872-3	CCTTH3072-3	CCTTH3272-3	CCTTH3672-3
72 3/4"(1848)					
72"(1829)					
63 9/16"(1614)					

**ELEVATION SYMBOL LEGEND:**  
M.O. = MASORNY OPENING  
VALUES IN ( ) ARE IN MILLIMETER CONVERSIONS  
\* AVAILABLE ONLY AS A STATIONARY WINDOW

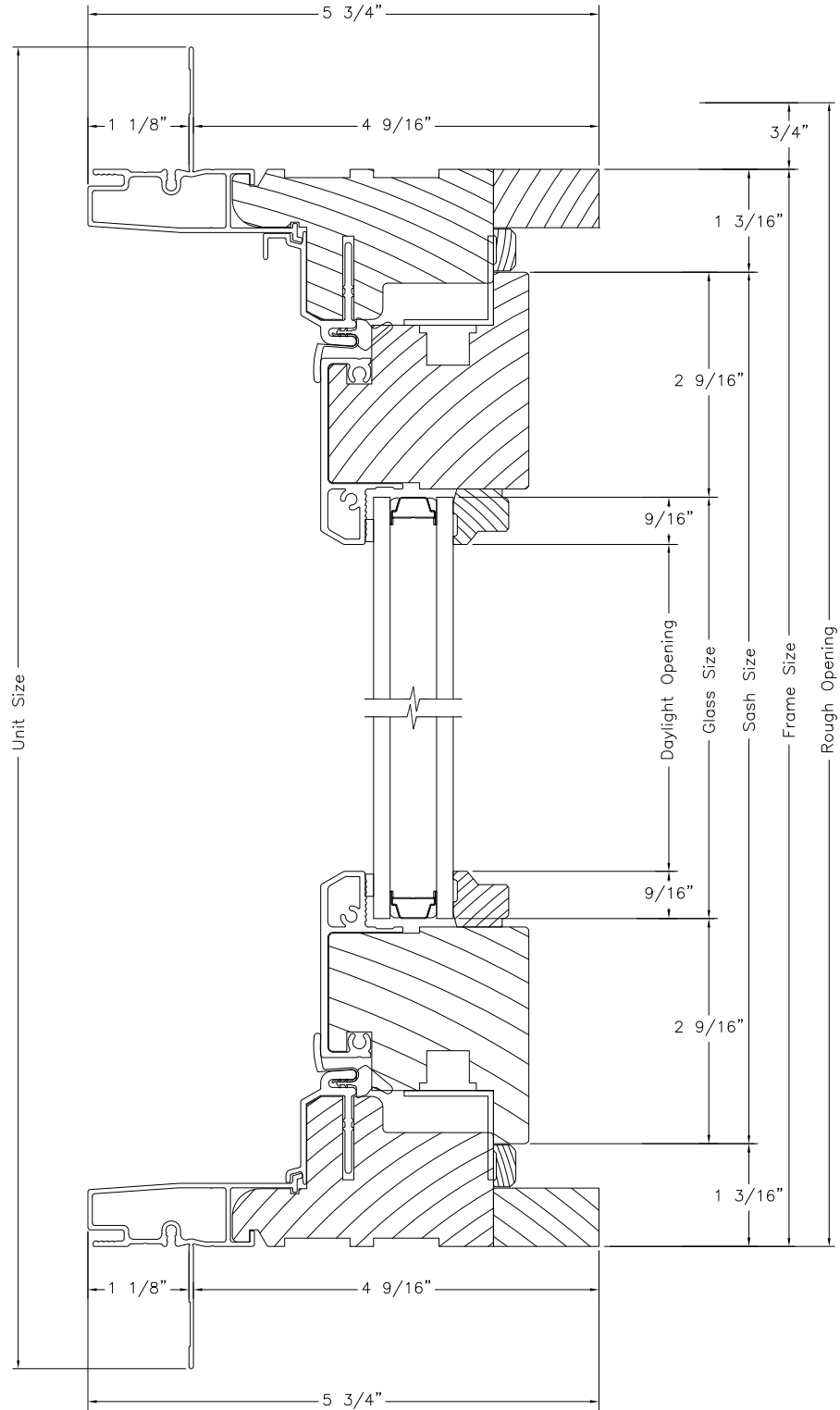
VERTICAL SECTION



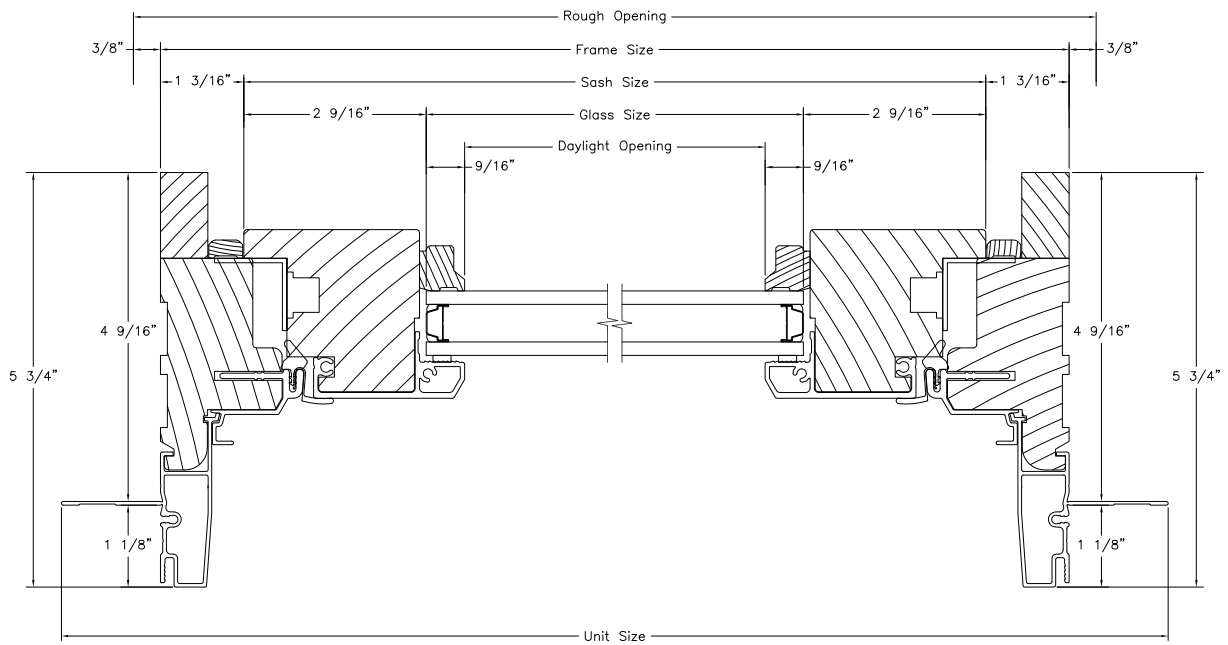
HORIZONTAL SECTION



PICTURE VERTICAL SECTION



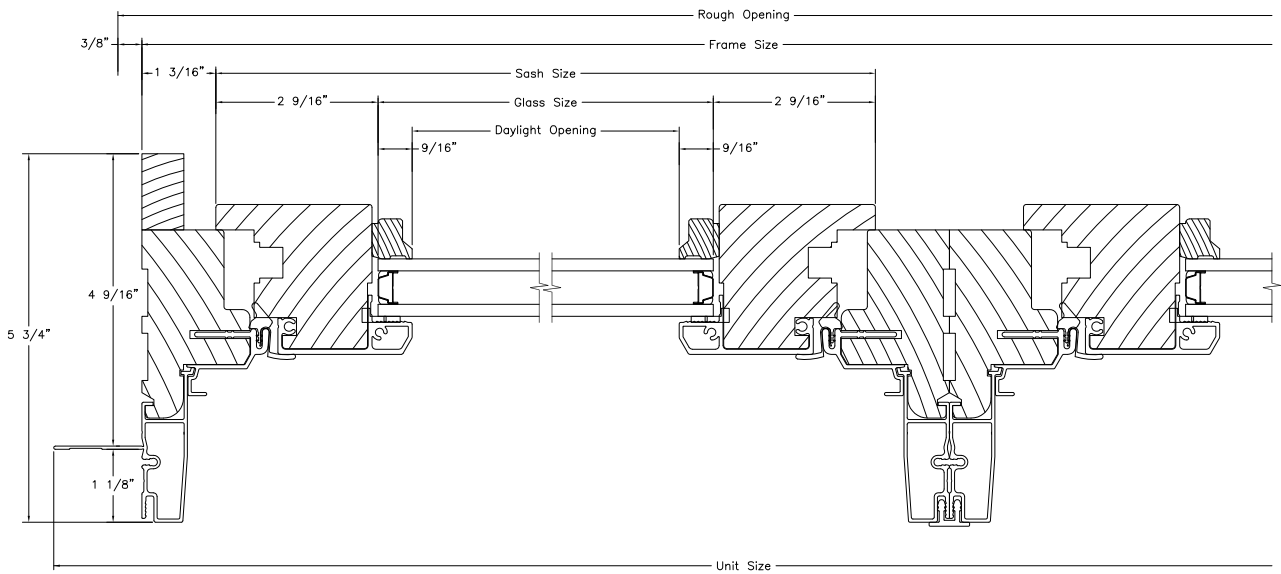
PICTURE HORIZONTAL SECTION



**Horizontal Section**



2 & 3 WIDE HORIZONTAL SECTION



**Horizontal Section**