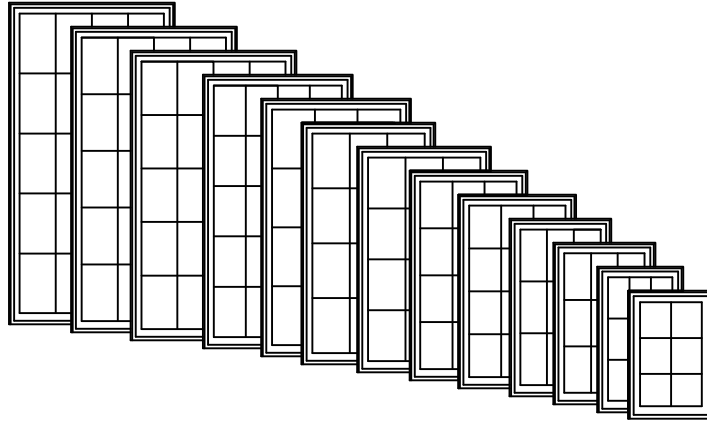


---

TABLE OF CONTENTS

---

Table of Contents. . . . .	5-1
General Information. . . . .	5-2
Grille & SDL Patterns. . . . .	5-3
Handling & Operation. . . . .	5-6
Unit Sizing, Rough Opening & Masonry Openings . . . . .	5-7
Trim Options . . . . .	5-8
Jamb Options . . . . .	5-10
Mullion Details & Specialty Trim . . . . .	5-12
Casement Elevation Notes . . . . .	5-16
Picture Casement Elevation Notes . . . . .	5-17
Section Details: 6" Scale. . . . .	5-18
Bays & Bows Opening Specifications . . . . .	5-24



#### DIMENSIONAL WINDOWS

Custom clad pocket casement windows will always be dimensional and built to fit a given opening size. Sizes are available in 1/16" increments based on frame openings.

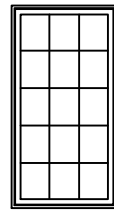
Custom clad casement windows are available with left or right hand operation, or stationary (non-venting). Operating mechanism includes corrosion resistant steel hinges and dual arm roto-type operator with hardened steel gears and operating arms. Sash locks are concealed unison type with an exposed locking lever and escutcheon plate. There are several interior hardware finish options. Refer to the Specifications for finish options.

LITE CUT INFORMATION

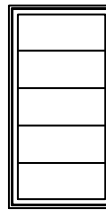
Custom clad pocket casement windows are available with removable grilles in 7/8", 1-1/8" and 1-3/8" widths, Airspace ( between the panes) grilles, and Simulated Divided Lites. Standard lite cuts are rectangular, and conform to the layouts noted in the charts on the next page. To use the chart, refer to the appropriate table by the type of window and type of bars or grilles the section drawings illustrate. Then simply cross reference the frame Height and Width to determine the standard lite cut.

LITE CUT OPTIONS

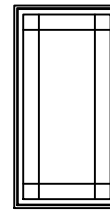
Special lite cut patterns can include a wide variety of straight line and radius patterns. The illustrations shown here represent just a few of the possibilities. Rectangular, horizontal, vertical and Prairie lite patterns are available in all standard size clad casement windows. Uneven, diamond, radius and Gothic lite cuts are available, subject to approval. Approvals are based on the ability to fulfill the design requirement while maintaining the construction integrity of the finished product.



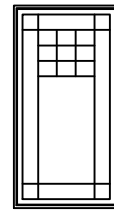
RECTANGULAR



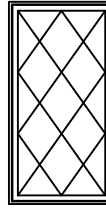
HORIZONTAL



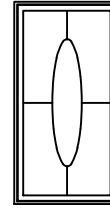
PRAIRIE



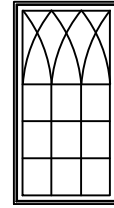
UNEVEN



DIAMOND



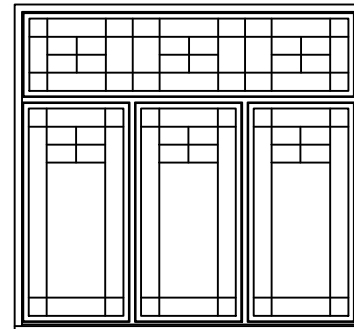
RADIUS



GOthic

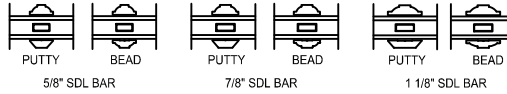
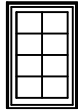
BAR ALIGNMENT

Alignment of divided lite muntin bars from one window to the next is often required by fine architectural design. Wood grilles, Grilles Between the Glass, grilles, and Simulated Divided Lites may be specified with muntin bars aligned.

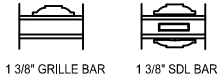


### LITE CUT TABLE

#### POCKET CASEMENT WINDOWS - CCC



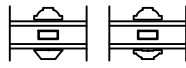
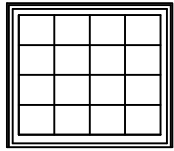
CCC		Frame Height																	
		32	36	40	44	48	52	56	60	64	68	72	76	80	88	92	96		
Frame Width	21	21 3/8	2W 2H	2W 2H	2W 2H	2W 2H	2W 2H	2W 2H	2W 2H	2W 2H	2W 2H	2W 2H	2W 3H	2W 3H	2W 3H	2W 3H	2W 4H	2W 4H	2W 4H
	25	25 3/8	3W 2H	3W 2H	3W 2H	3W 2H	3W 2H	3W 2H	3W 2H	3W 2H	3W 2H	3W 2H	3W 3H	3W 3H	3W 3H	3W 3H	3W 4H	3W 4H	3W 4H
	29	29 3/8	3W 2H	3W 2H	3W 2H	3W 2H	3W 2H	3W 2H	3W 2H	3W 2H	3W 2H	3W 2H	3W 3H	3W 3H	3W 3H	3W 3H	3W 4H	3W 4H	3W 4H
	31	31 3/8	3W 2H	3W 2H	3W 2H	3W 2H	3W 2H	3W 2H	3W 2H	3W 2H	3W 2H	3W 2H	3W 3H	3W 3H	3W 3H	3W 3H	3W 4H	3W 4H	3W 4H
	33	33 3/8	3W 2H	3W 2H	3W 2H	3W 2H	3W 2H	3W 2H	3W 2H	3W 2H	3W 2H	3W 2H	3W 3H	3W 3H	3W 3H	3W 3H	3W 4H	3W 4H	3W 4H
	35	35 3/8	4W 2H	4W 2H	4W 2H	4W 2H	4W 2H	4W 2H	4W 2H	4W 2H	4W 2H	4W 2H	4W 3H	4W 3H	4W 3H	4W 3H	4W 4H	4W 4H	4W 4H
	37	37 3/8	4W 2H	4W 2H	4W 2H	4W 2H	4W 2H	4W 2H	4W 2H	4W 2H	4W 2H	4W 2H	4W 3H	4W 3H	4W 3H	4W 3H	4W 4H	4W 4H	4W 4H
	41	41 3/8	4W 2H	4W 2H	4W 2H	4W 2H	4W 2H	4W 2H	4W 2H	4W 2H	4W 2H	4W 2H	4W 3H	4W 3H	4W 3H	4W 3H	4W 4H	4W 4H	4W 4H
	45	45 3/8	4W 2H	4W 2H	4W 2H	4W 2H	4W 2H	4W 2H	4W 2H	4W 2H	4W 2H	4W 2H	4W 3H	4W 3H	4W 3H	4W 3H	4W 4H	4W 4H	4W 4H
	49	49 3/8	4W 2H	4W 2H	4W 2H	4W 2H	4W 2H	4W 2H	4W 2H	4W 2H	4W 2H	4W 2H	4W 3H	4W 3H	4W 3H	4W 3H	NA	NA	NA



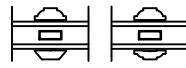
CCC		Frame Height																	
		32	36	40	44	48	52	56	60	64	68	72	76	80	88	92	96		
Frame Width	21	21 3/8	2W 1H	2W 1H	2W 2H	2W 2H	2W 2H	2W 2H	2W 2H	2W 2H	2W 2H	2W 2H	2W 3H	2W 3H	2W 3H	2W 3H	2W 4H	2W 4H	2W 4H
	25	25 3/8	2W 1H	2W 1H	2W 2H	2W 2H	2W 2H	2W 2H	2W 2H	2W 2H	2W 2H	2W 2H	2W 3H	2W 3H	2W 3H	2W 3H	2W 4H	2W 4H	2W 4H
	29	29 3/8	3W 1H	3W 1H	3W 2H	3W 2H	3W 2H	3W 2H	3W 2H	3W 2H	3W 2H	3W 2H	3W 3H	3W 3H	3W 3H	3W 3H	3W 4H	3W 4H	3W 4H
	31	31 3/8	3W 1H	3W 1H	3W 2H	3W 2H	3W 2H	3W 2H	3W 2H	3W 2H	3W 2H	3W 2H	3W 3H	3W 3H	3W 3H	3W 3H	3W 4H	3W 4H	3W 4H
	33	33 3/8	3W 1H	3W 1H	3W 2H	3W 2H	3W 2H	3W 2H	3W 2H	3W 2H	3W 2H	3W 2H	3W 3H	3W 3H	3W 3H	3W 3H	3W 4H	3W 4H	3W 4H
	35	35 3/8	3W 1H	3W 1H	3W 2H	3W 2H	3W 2H	3W 2H	3W 2H	3W 2H	3W 2H	3W 2H	3W 3H	3W 3H	3W 3H	3W 3H	3W 4H	3W 4H	3W 4H
	37	37 3/8	3W 1H	3W 1H	3W 2H	3W 2H	3W 2H	3W 2H	3W 2H	3W 2H	3W 2H	3W 2H	3W 3H	3W 3H	3W 3H	3W 3H	3W 4H	3W 4H	3W 4H
	41	41 3/8	4W 1H	4W 1H	4W 2H	4W 2H	4W 2H	4W 2H	4W 2H	4W 2H	4W 2H	4W 2H	4W 3H	4W 3H	4W 3H	4W 3H	4W 4H	4W 4H	4W 4H
	45	45 3/8	4W 1H	4W 1H	4W 2H	4W 2H	4W 2H	4W 2H	4W 2H	4W 2H	4W 2H	4W 2H	4W 3H	4W 3H	4W 3H	4W 3H	4W 4H	4W 4H	4W 4H
	49	49 3/8	4W 2H	4W 2H	4W 2H	4W 2H	4W 2H	4W 2H	4W 2H	4W 2H	4W 2H	4W 2H	4W 3H	4W 3H	4W 3H	4W 3H	NA	NA	NA

### LITE CUT TABLE

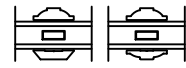
#### PICTURE WINDOWS - CCCP



5/8" SDL BAR



7/8" SDL BAR



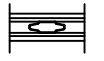
1 1/8" SDL BAR



5/8" FLAT



23/32" CONTOUR



1" CONTOUR

GBG



5/8" GRILLE BAR



7/8" GRILLE BAR



1 1/8" GRILLE BAR



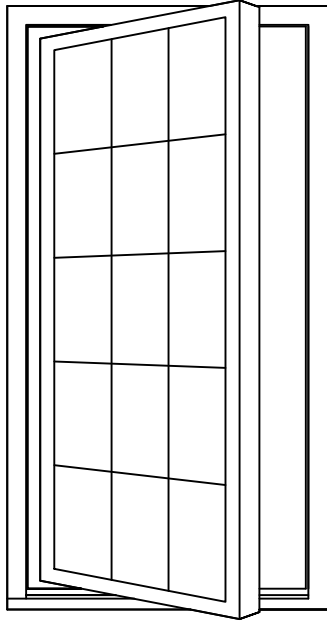
1 3/8" GRILLE BAR



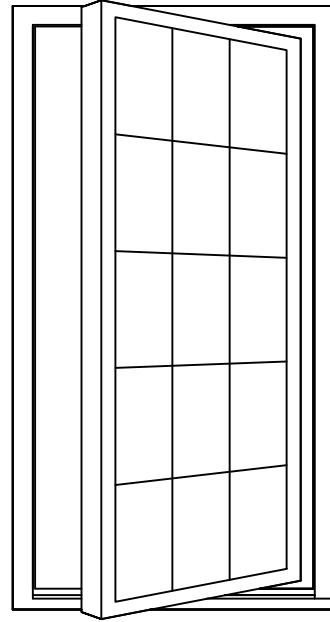
1 3/8" SDL BAR

CCCP		Frame Height															
		40	44	48	52	56	60	64	68	72	76	80	88	92	96		
Frame Width	41	41 3/8	4W 4H	4W 4H	4W 4H	4W 4H	4W 4H	4W 4H	4W 4H	4W 4H	4W 6H	4W 6H	4W 6H	4W 6H	4W 8H	4W 8H	4W 8H
	45	45 3/8	4W 4H	4W 4H	4W 4H	4W 4H	4W 4H	4W 4H	4W 4H	4W 4H	4W 6H	4W 6H	4W 6H	4W 6H	4W 8H	4W 8H	4W 8H
	49	49 3/8	4W 4H	4W 4H	4W 4H	4W 4H	4W 4H	4W 4H	4W 4H	4W 4H	4W 6H	4W 6H	4W 6H	4W 6H	4W 8H	4W 8H	4W 8H
	53	53 3/8	4W 4H	4W 4H	4W 4H	4W 4H	4W 4H	4W 4H	4W 4H	4W 4H	4W 6H	4W 6H	4W 6H	4W 6H	4W 8H	4W 8H	4W 8H
	61	61 3/8	5W 4H	5W 4H	5W 4H	5W 4H	5W 4H	5W 4H	5W 4H	5W 4H	5W 6H	5W 6H	5W 6H	5W 6H	5W 8H	5W 8H	5W 8H
	69	69 3/8	6W 4H	6W 4H	6W 4H	6W 4H	6W 4H	6W 4H	6W 4H	6W 4H	6W 6H	6W 6H	6W 6H	6W 6H	6W 8H	6W 8H	6W 8H
	77	77 3/8	7W 4H	7W 4H	7W 4H	7W 4H	7W 4H	7W 4H	7W 4H	7W 4H	7W 6H	7W 6H	7W 6H	7W 6H	7W 8H	7W 8H	NA

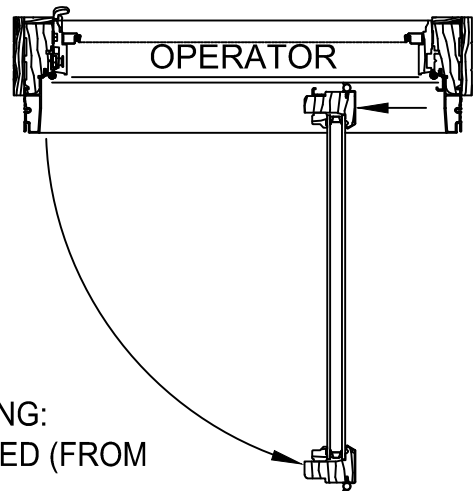
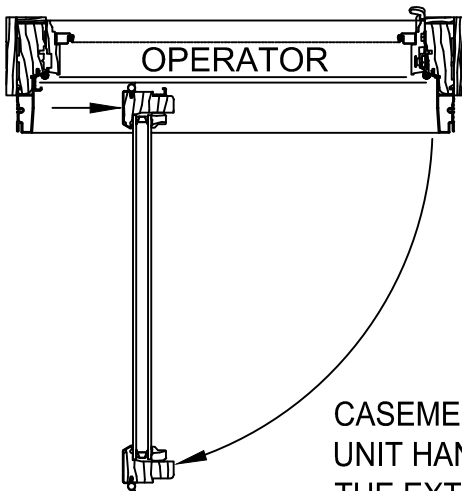
HANDING & OPERATION  
CASEMENT



LEFT  
HAND

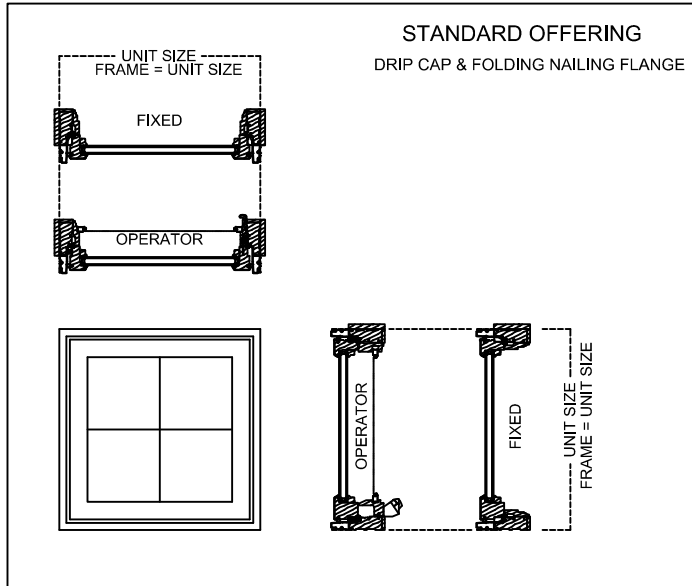


RIGHT  
HAND



CASEMENT UNIT HANDING:  
UNIT HANDING IS DEFINED (FROM  
THE EXTERIOR) AS THE  
DIRECTION THE SASH OPENS.

UNIT SIZING, ROUGH OPENINGS &  
MASONRY OPENINGS



**GENERAL NOTES:**

UNITS WITH NO TRIM AND SILL NOSE:  
UNIT SIZE = FRAME SIZE

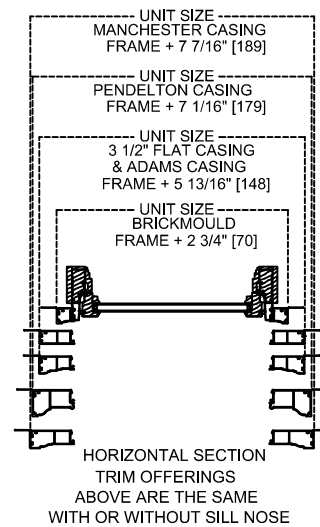
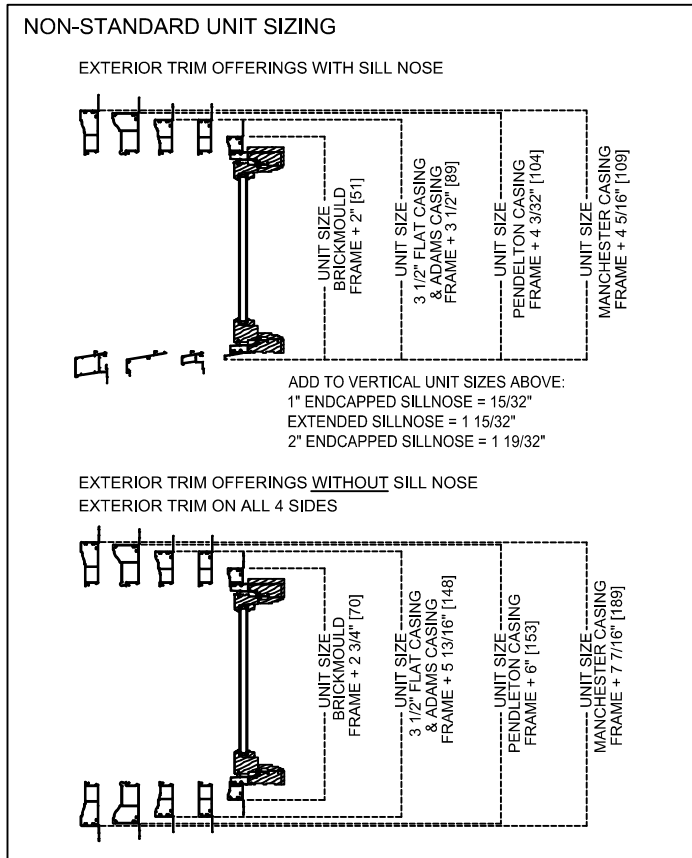
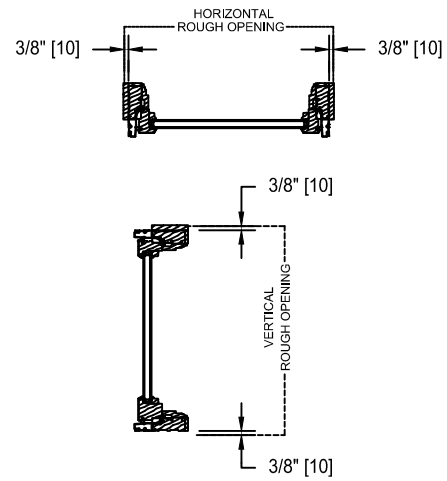
UNIT SIZE IS ALWAYS THE  
EXTREME SIZE OF THE WINDOW  
WITH OR WITHOUT TRIM  
(DRIP CAP & NAILING FLANGE ARE  
NOT ADDED TO ANY UNIT SIZING)

**MASONRY OPENING:**

MASONRY OPENING IS ALWAYS 1/2" OVER  
THE UNIT SIZE OF THE WINDOW

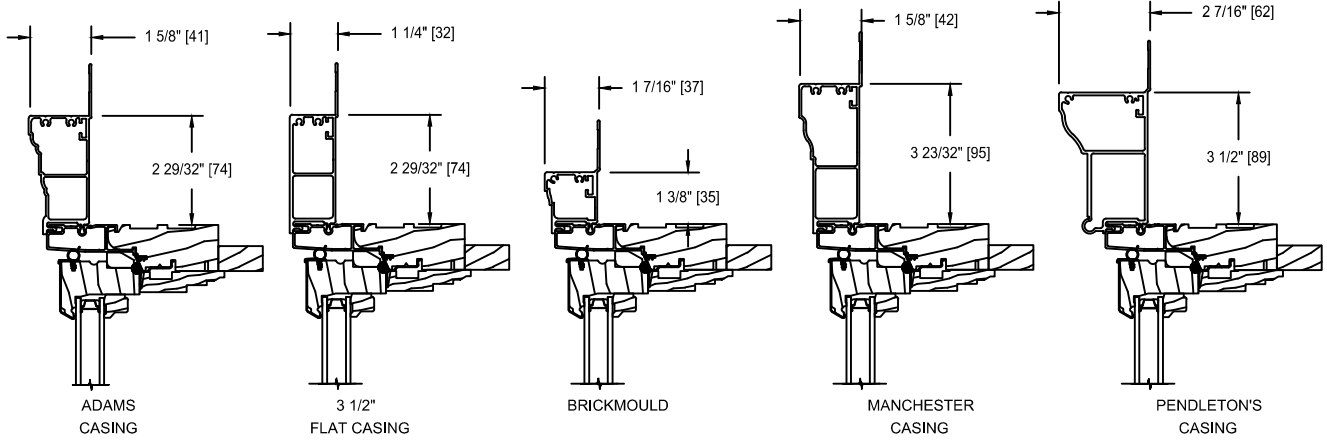
**ROUGH OPENING:**

ROUGH OPENING IS ALWAYS 3/4" OVER  
FRAME SIZE OF THE WINDOW

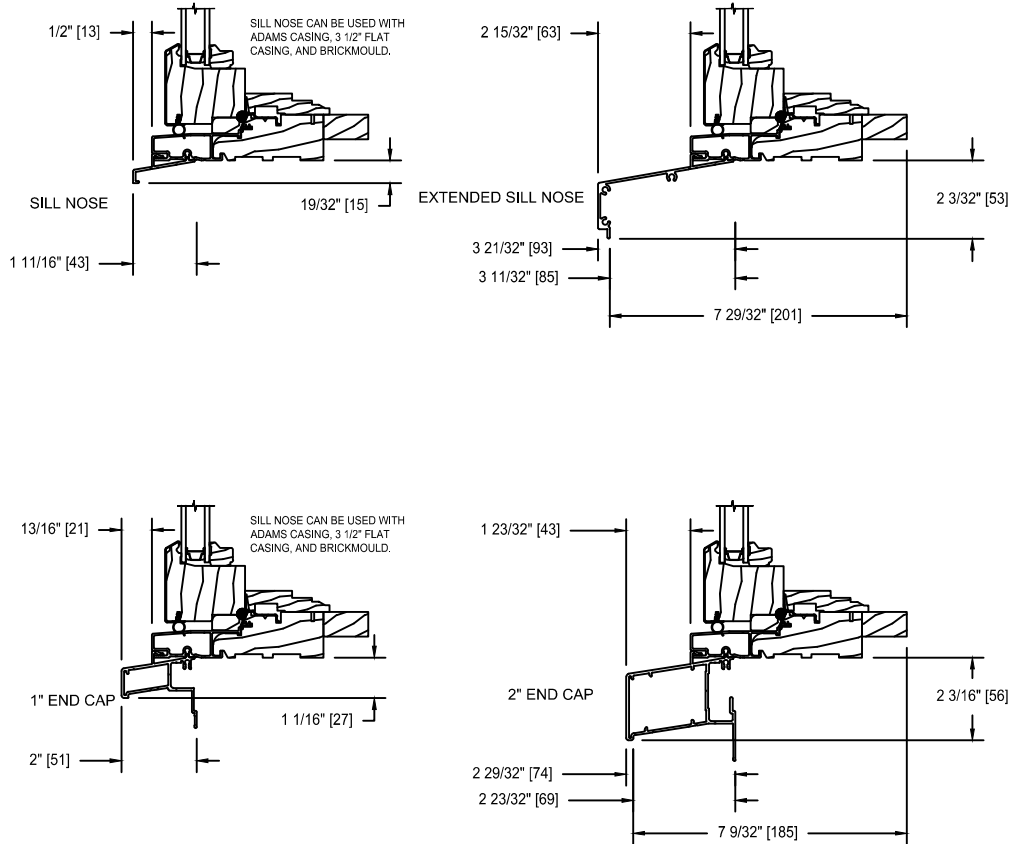


TRIM OPTIONS

EXTERIOR TRIM



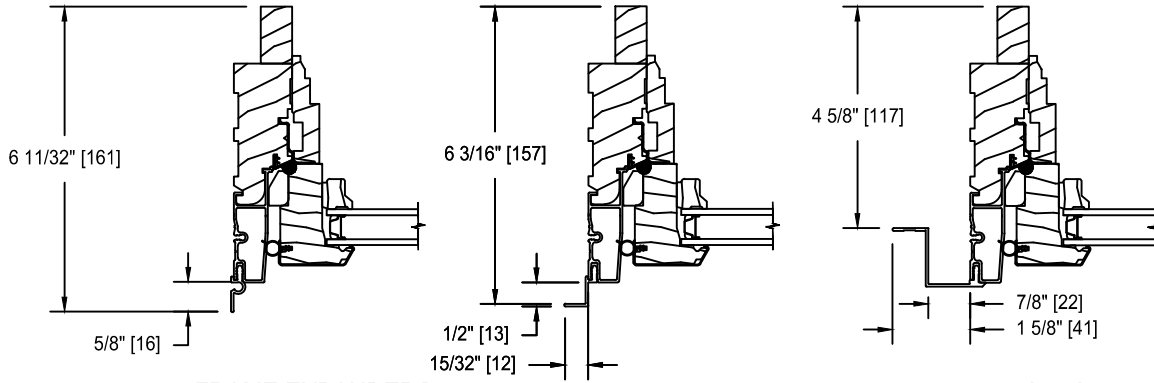
SILL NOSE OPTIONS





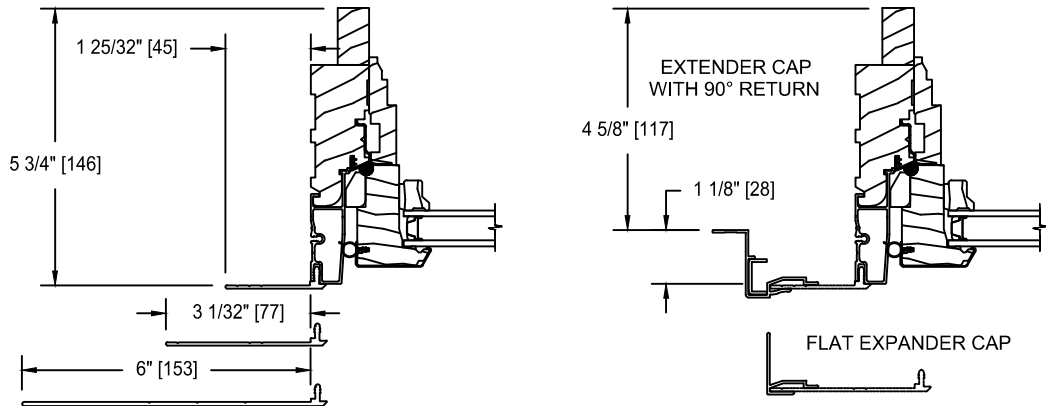
SPECIALTY EXTERIOR TRIM OPTIONS

FRAME EXTENSIONS & RETURNS

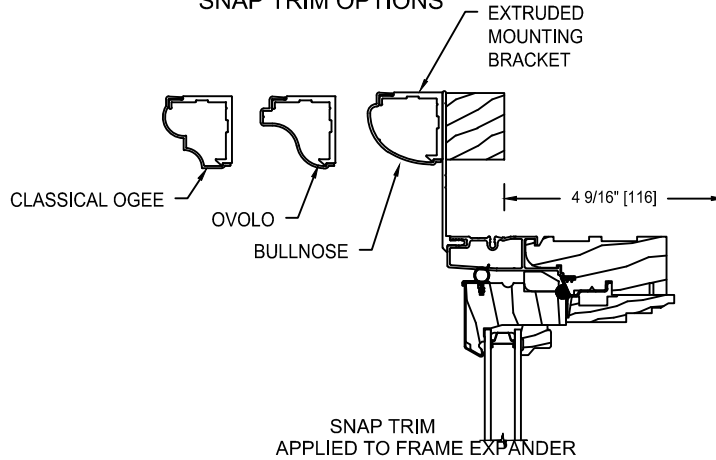


FRAME EXPANDERS  
STRAIGHTLINE ONLY

FRAME EXPANDER CAPS  
STRAIGHTLINE ONLY

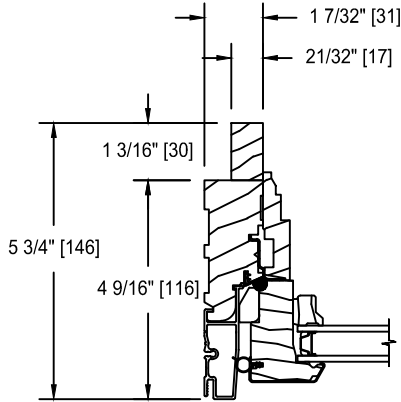


SNAP TRIM OPTIONS

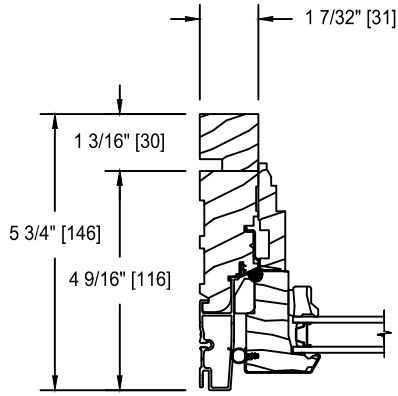


JAMB OPTIONS

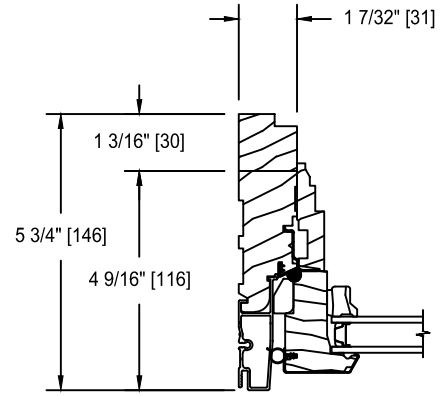
4 9/16" WALL



STANDARD 4/4  
JAMB EXTENDER

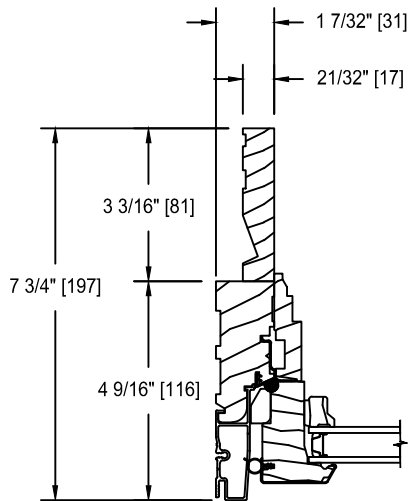


STANDARD 5/4  
JAMB EXTENDER

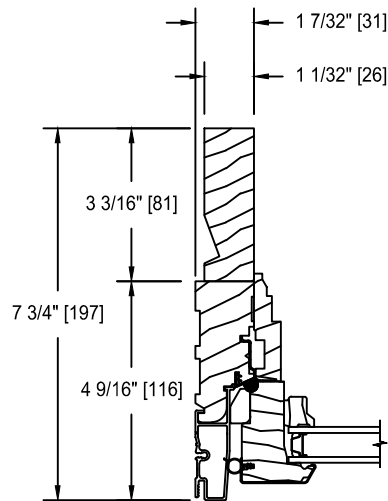


5/4 to 4/4 REVEAL  
JAMB EXTENDER

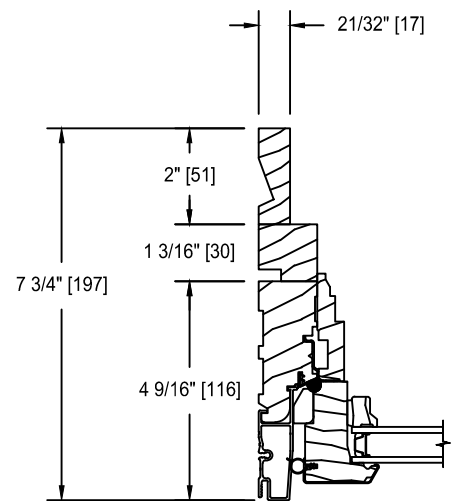
6 9/16" WALL



STANDARD 4/4  
JAMB EXTENDER

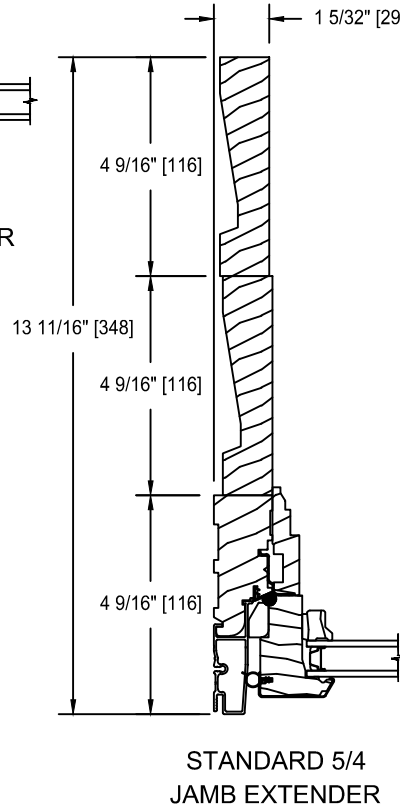
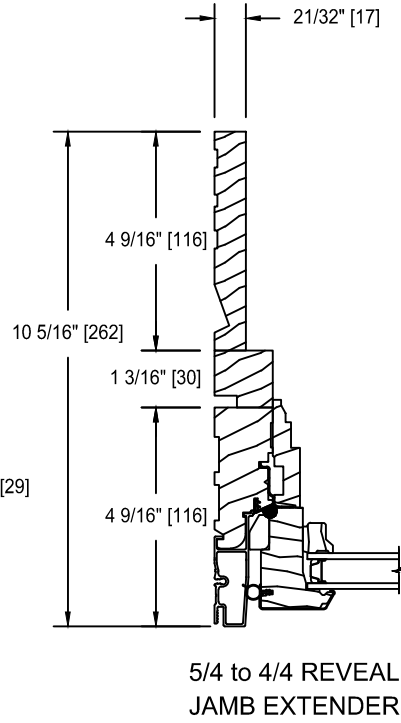
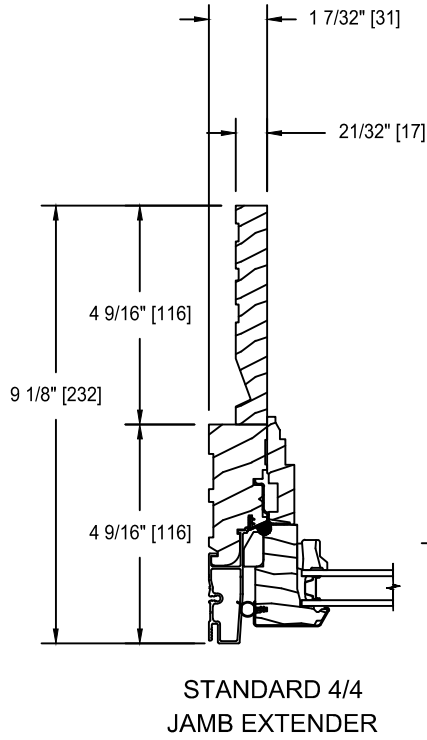


STANDARD 5/4  
JAMB EXTENDER

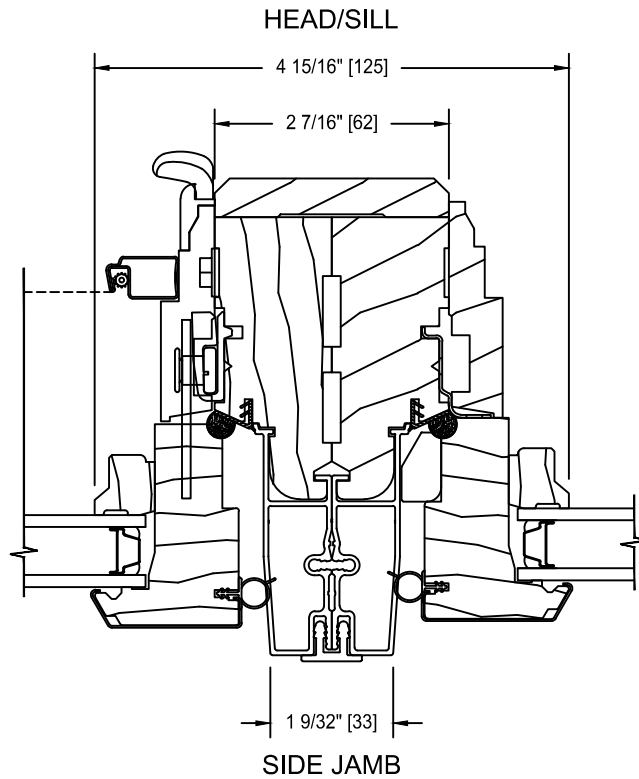
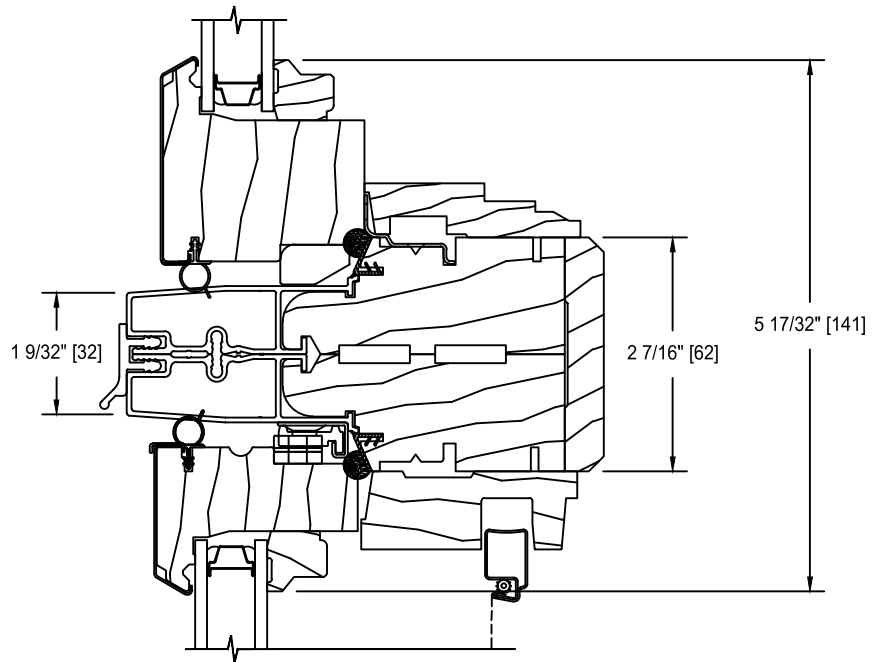


5/4 to 4/4 REVEAL  
JAMB EXTENDER

JAMB OPTIONS

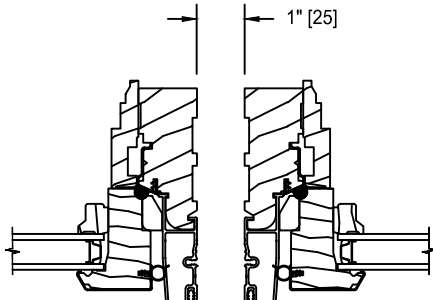


STANDARD MULLION DETAILS



STANDARD MULLION DETAILS

EXTERIOR SPREAD MULLIONS &  
STUD POCKET COVERS



1" MULLION COVER



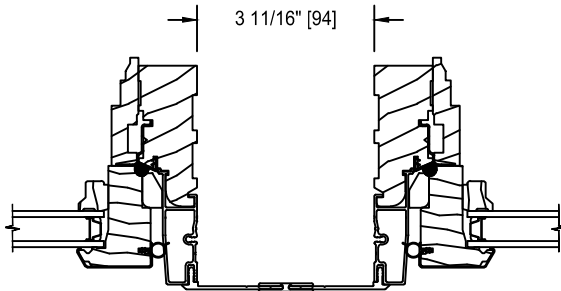
2" MULLION COVER



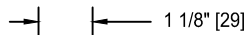
3 1/2" MULLION COVER



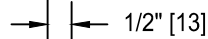
6" MULLION COVER



NARROW MULLION EXPANDER

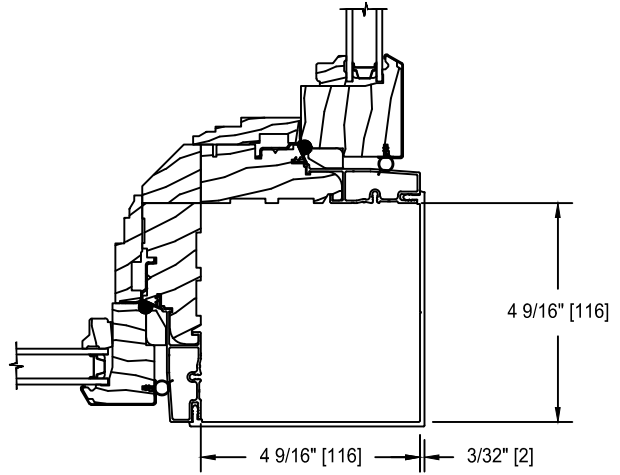


1 1/8" [29]

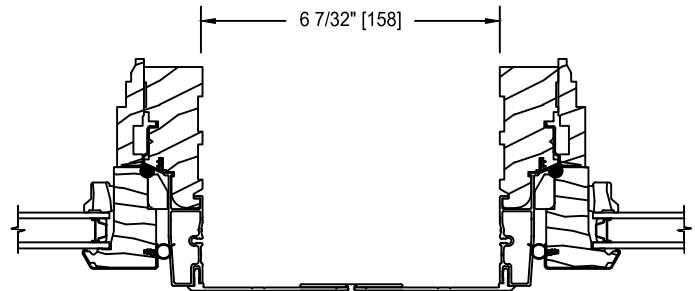


1/2" [13]

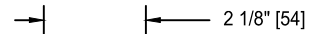
90° CORNER MULLION



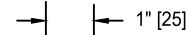
MULLION EXPANDERS



WIDE MULLION EXPANDER

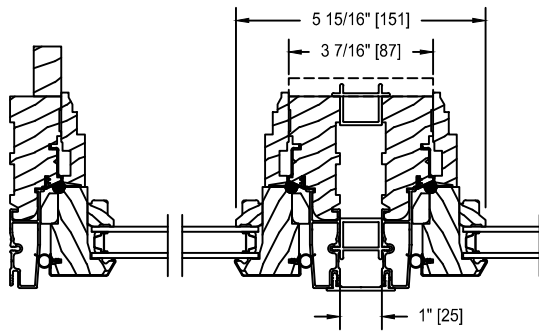
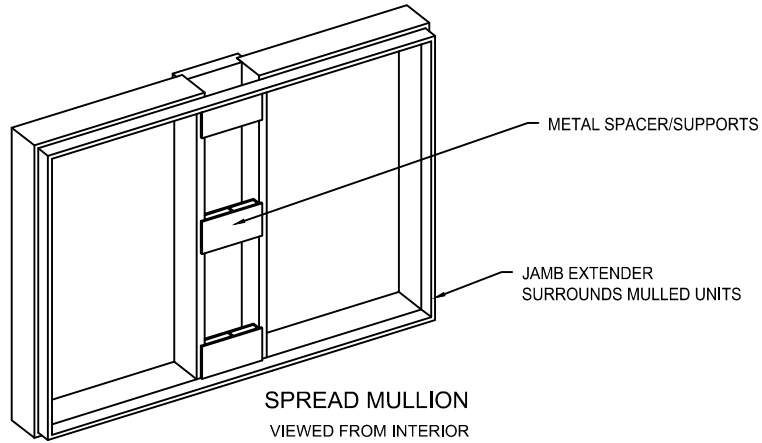


2 1/8" [54]

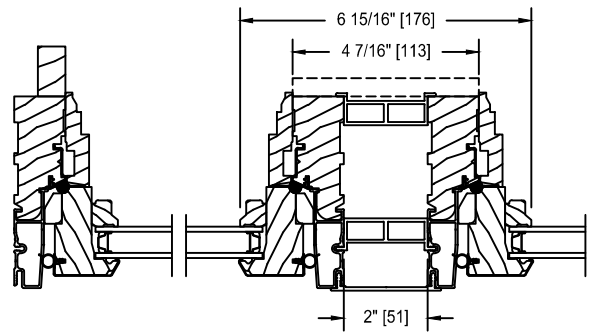


1" [25]

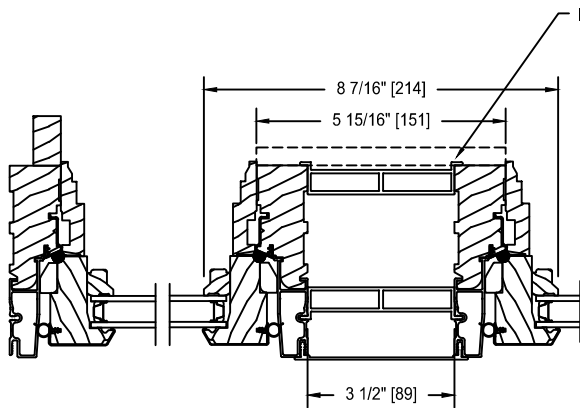
SPREAD MULLION DETAILS



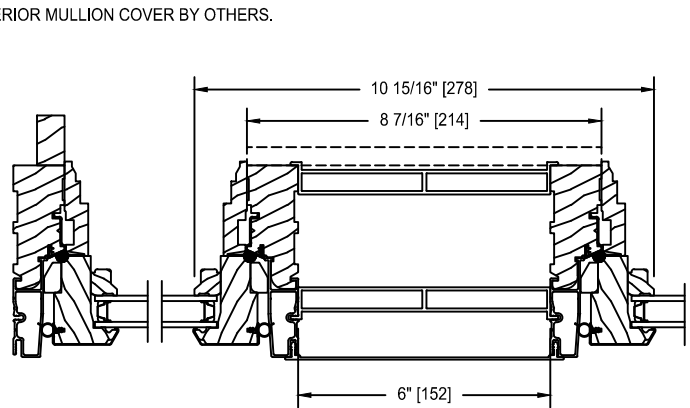
1" SPREAD MULLION



2" SPREAD MULLION

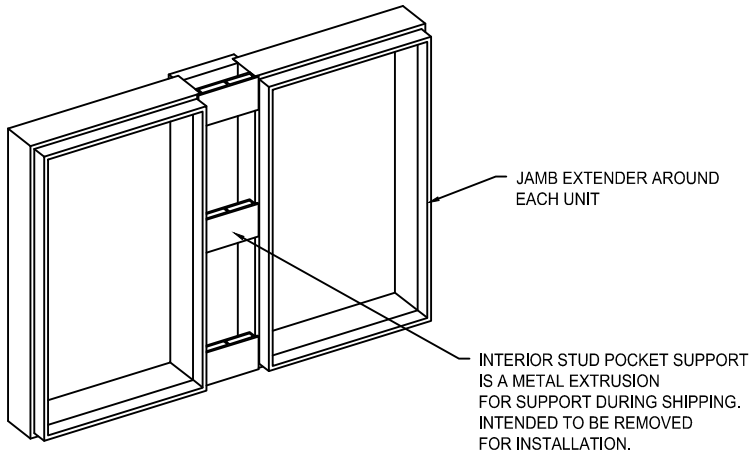


3 1/2" SPREAD MULLION

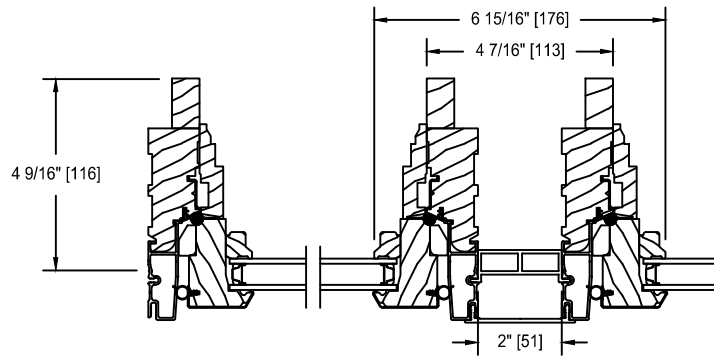


6" SPREAD MULLION

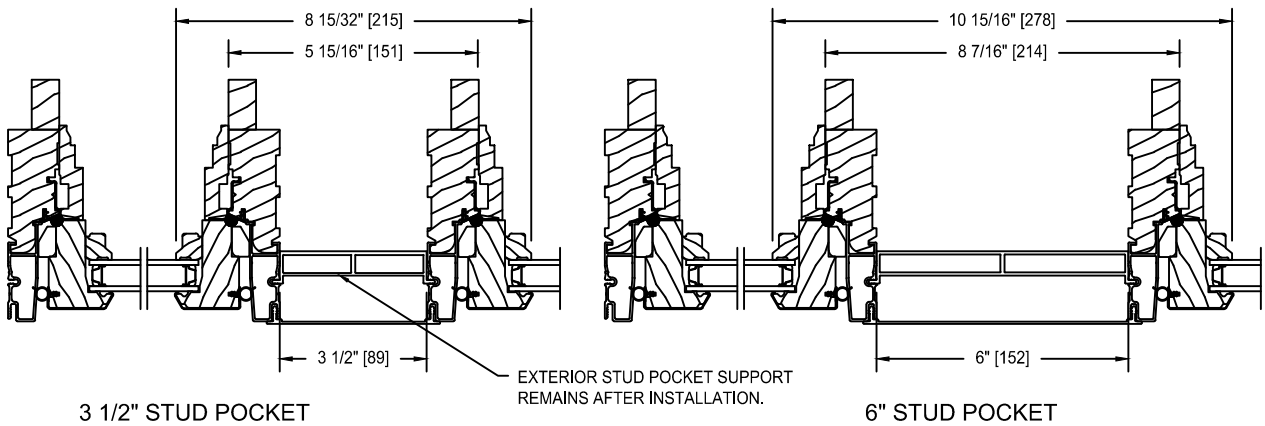
**STUD POCKET DETAILS**



**STUD POCKET MULLION  
VIEWED FROM INTERIOR**



**2" STUD POCKET**

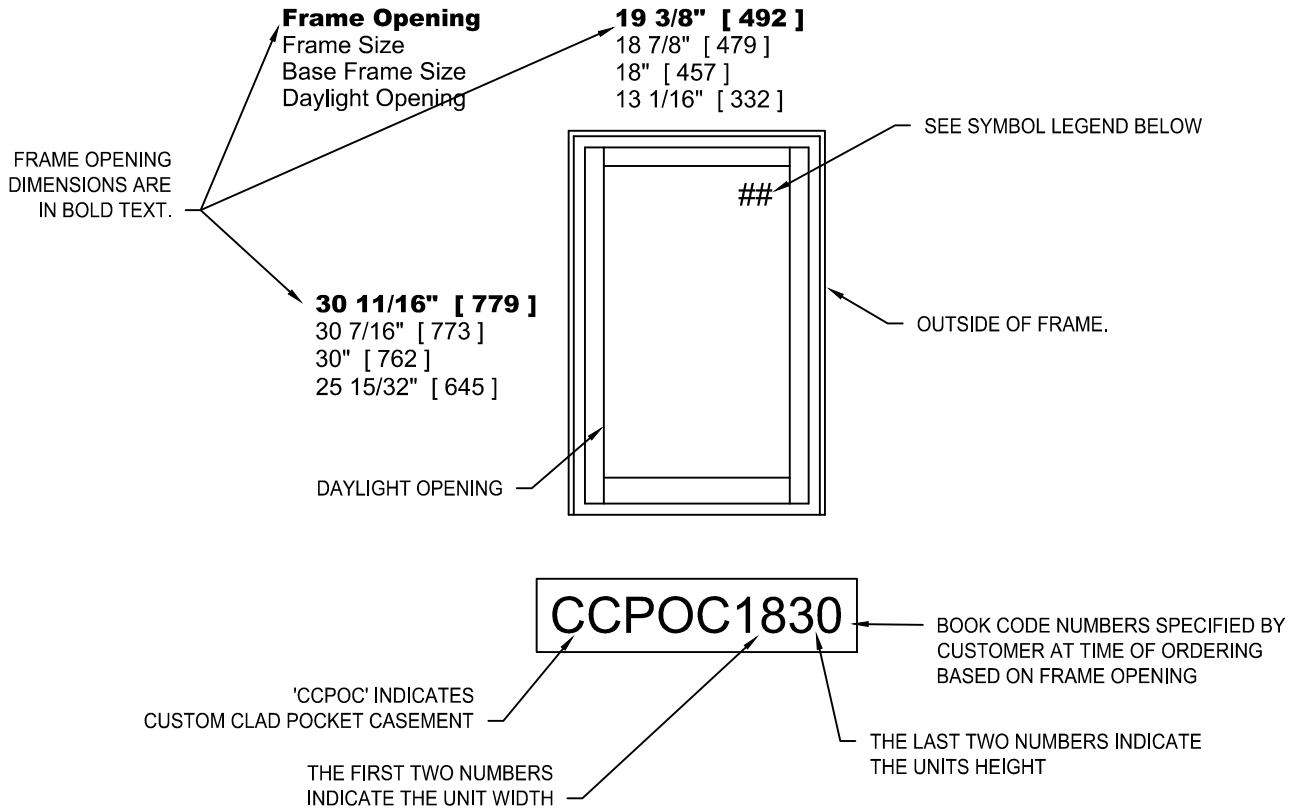


**3 1/2" STUD POCKET**

**6" STUD POCKET**

ELEVATION NOTES  
POCKET CASEMENT

ELEVATION DRAWINGS UTILIZE A LIMITED NUMBER OF PROJECTED LINES TO PRODUCE A RUDIMENTARY DRAWING INTENDED TO BE USED IN A SMALL GRAPHICAL SCALE. ELEVATIONS ARE VIEWED PERPENDICULAR FROM THE EXTERIOR OF THE STRUCTURE. IF MORE DIMENSIONS ARE NEEDED, USE THE SECTION DRAWINGS FOR MORE COMPLETE DEPICTIONS.



Note: There are no standard sizes; all windows are dimensional.  
Illustration above for information purposes only.

GENERAL CASEMENT NOTES

1. CUSTOM CLAD POCKET CASEMENT (CCPOC) UNITS ARE AVAILABLE AS OPERATING OR FIXED UNITS.
2. 'CCPOC' IN A BOOK CODE DENOTES THE UNIT IS A CUSTOM CLAD POCKET CASEMENT PICTURE (FIXED) UNIT.
3. UNIT ELEVATIONS ARE SHOWN WITHOUT EXTERIOR TRIM. UNIT SIZES & MASONRY OPENING DIMENSIONS WILL CHANGE WITH THE ADDITION OF EXTERIOR TRIM. SEE THE 'UNIT SIZING, ROUGH OPENINGS & MASONRY OPENINGS' PAGE FOR EXTERIOR TRIM EFFECTS.
4. OPERATING UNITS ARE AVAILABLE AS LEFT OR RIGHT HAND OPERATION.
5. DIMENSIONAL VALUES IN BRACKETS ARE MILLIMETER CONVERSIONS.

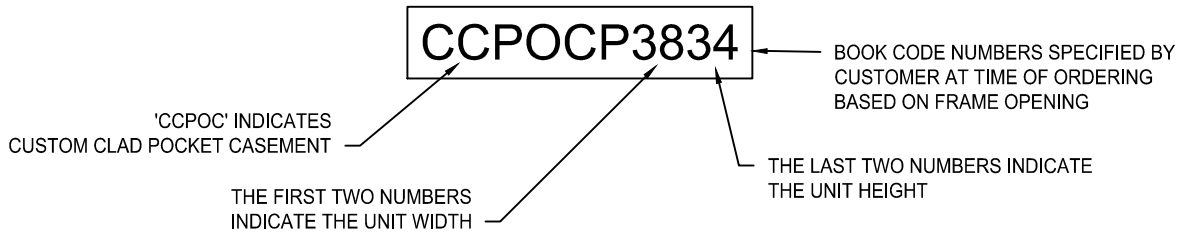
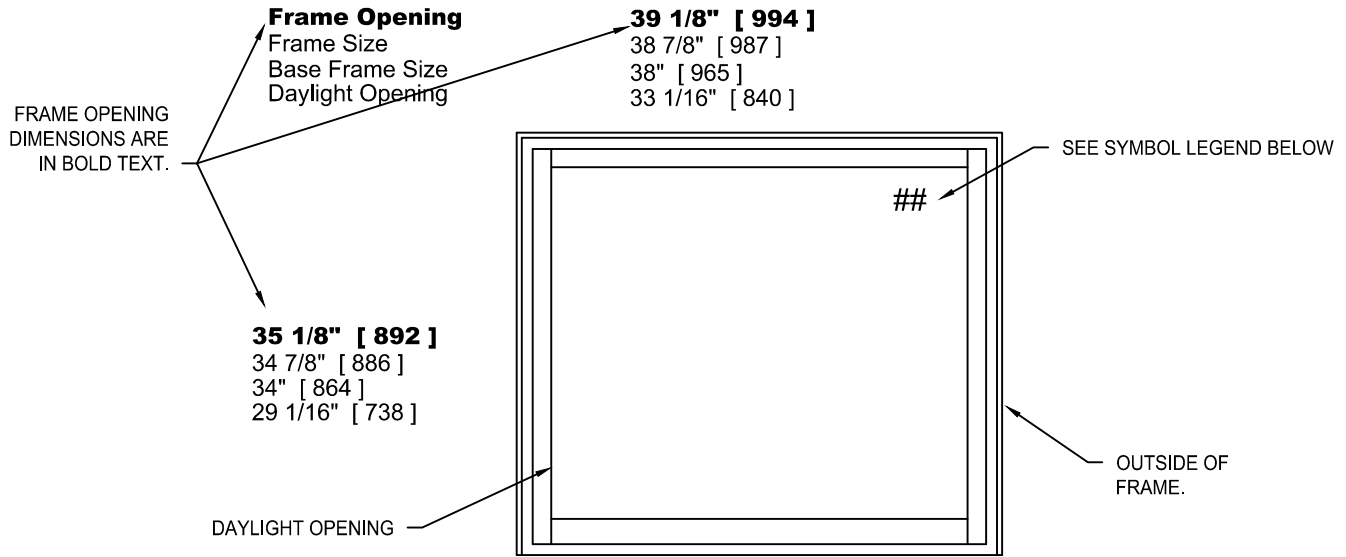
ELEVATION SYMBOL LEGEND:

- E** BASIC UNIT CLEAR OPENING EXCEEDS 20" IN WIDTH, 24" IN HEIGHT & A MINIMUM OF 5.7 SQ. FT.
- E\*** BASIC UNIT CLEAR OPENING REQUIRES EGRESS HINGES TO EXCEED 20" IN WIDTH, 24" IN HEIGHT & A MINIMUM OF 5.7 SQ. FT.
- E1** BASIC UNIT CLEAR OPENING EXCEEDS 20" IN WIDTH, 24" IN HEIGHT & A MINIMUM OF 5.0 SQ. FT.
- S** STATIONARY UNIT.
- ##** NUMBER INDICATES DESIGN PRESSURE (DP) RATING WITH STANDARD GLAZING. OPERATING UNITS UTILIZE THE R65 LOCKING SYSTEM FOR DP RATINGS.



ELEVATION NOTES  
POCKET CASEMENT PICTURE

ELEVATION DRAWINGS UTILIZE A LIMITED NUMBER OF PROJECTED LINES TO PRODUCE A RUDIMENTARY DRAWING INTENDED TO BE USED IN A SMALL GRAPHICAL SCALE. ELEVATIONS ARE VIEWED PERPENDICULAR FROM THE EXTERIOR OF THE STRUCTURE. IF MORE DIMENSIONS ARE NEEDED, USE THE SECTION DRAWINGS FOR MORE COMPLETE DEPICTIONS.



Note: There are no standard sizes; all windows are dimensional.  
Illustration above for information purposes only.

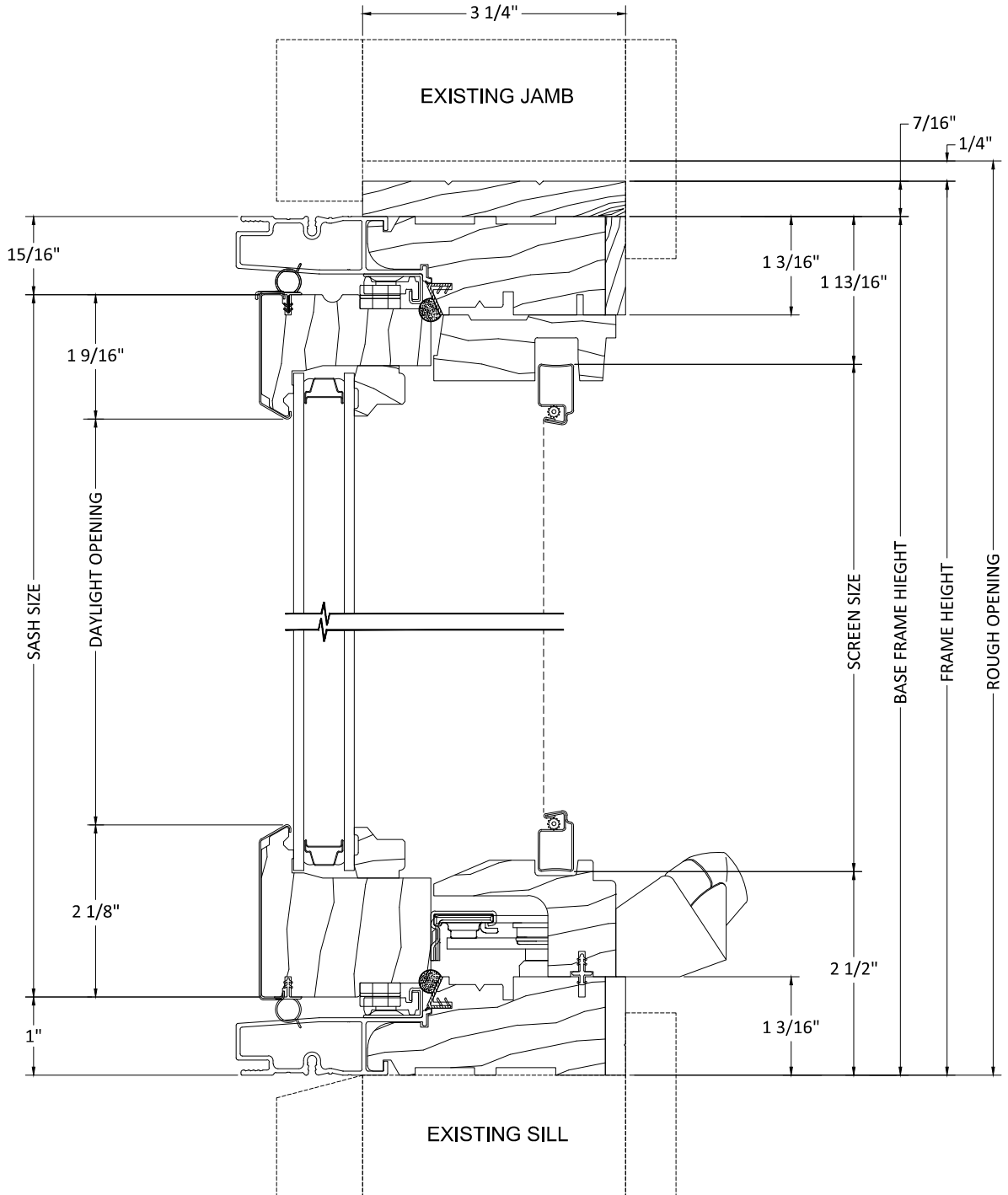
GENERAL POCKET CASEMENT NOTES

1. (CCPOCP) IN A BOOK CODE DENOTES THAT THE UNIT IS A CUSTOM CLAD POCKET CASEMENT PICTURE (FIXED) UNIT.
2. UNIT ELEVATIONS ARE SHOWN WITH BRICKMOULD AND SUBSILL.
3. DIMENSIONAL VALUES IN BRACKETS ARE MILLIMETER CONVERSIONS.
4. ALL GLASS SIZES ARE NOMINAL.

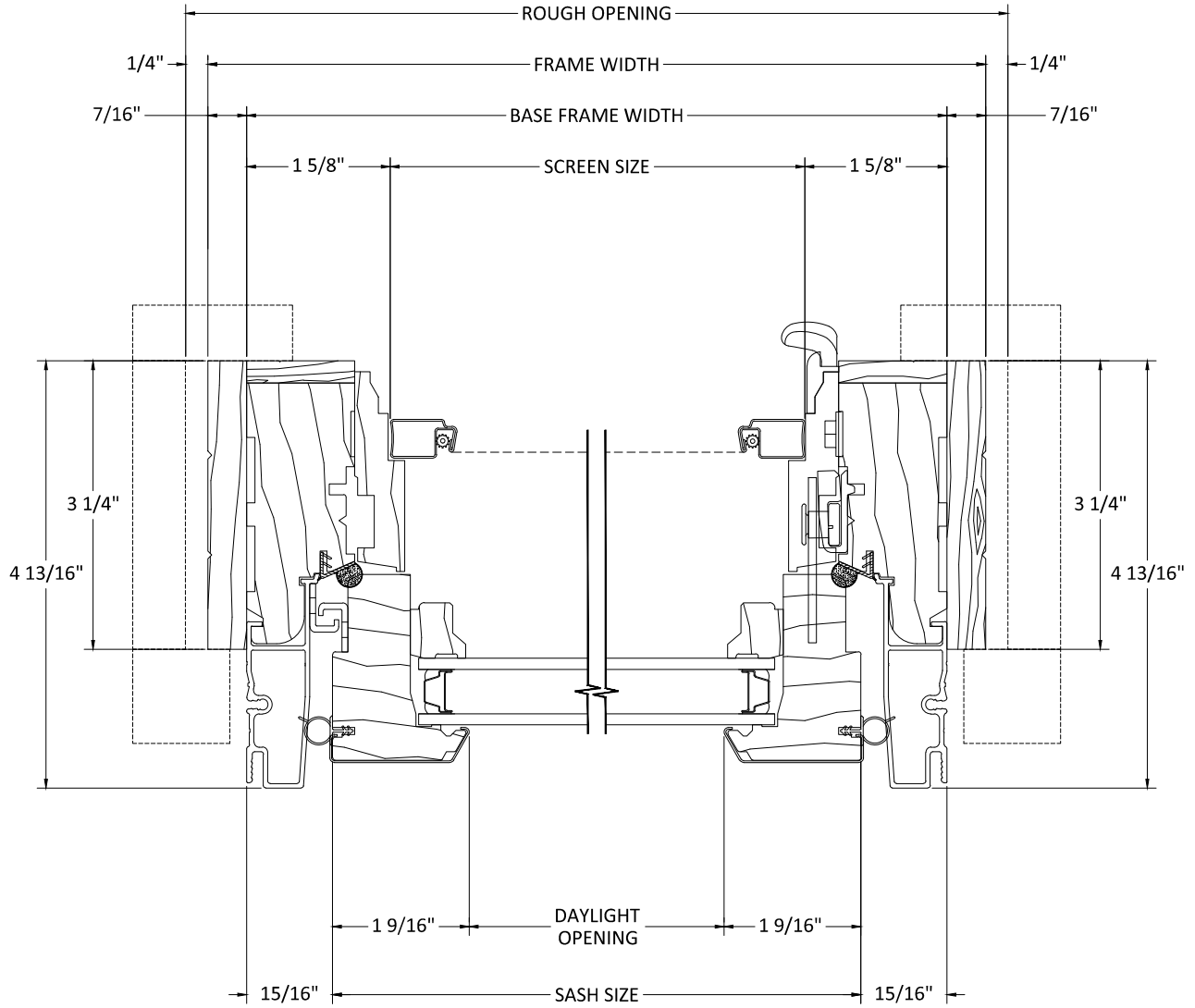
ELEVATION SYMBOL LEGEND:

- ##** NUMBER INDICATES PERFORMANCE GRADE (PG) RATING WITH STANDARD GLAZING. OPERATING UNITS UTILIZE A CONCEALED LOCKING SYSTEM FOR DP RATINGS.

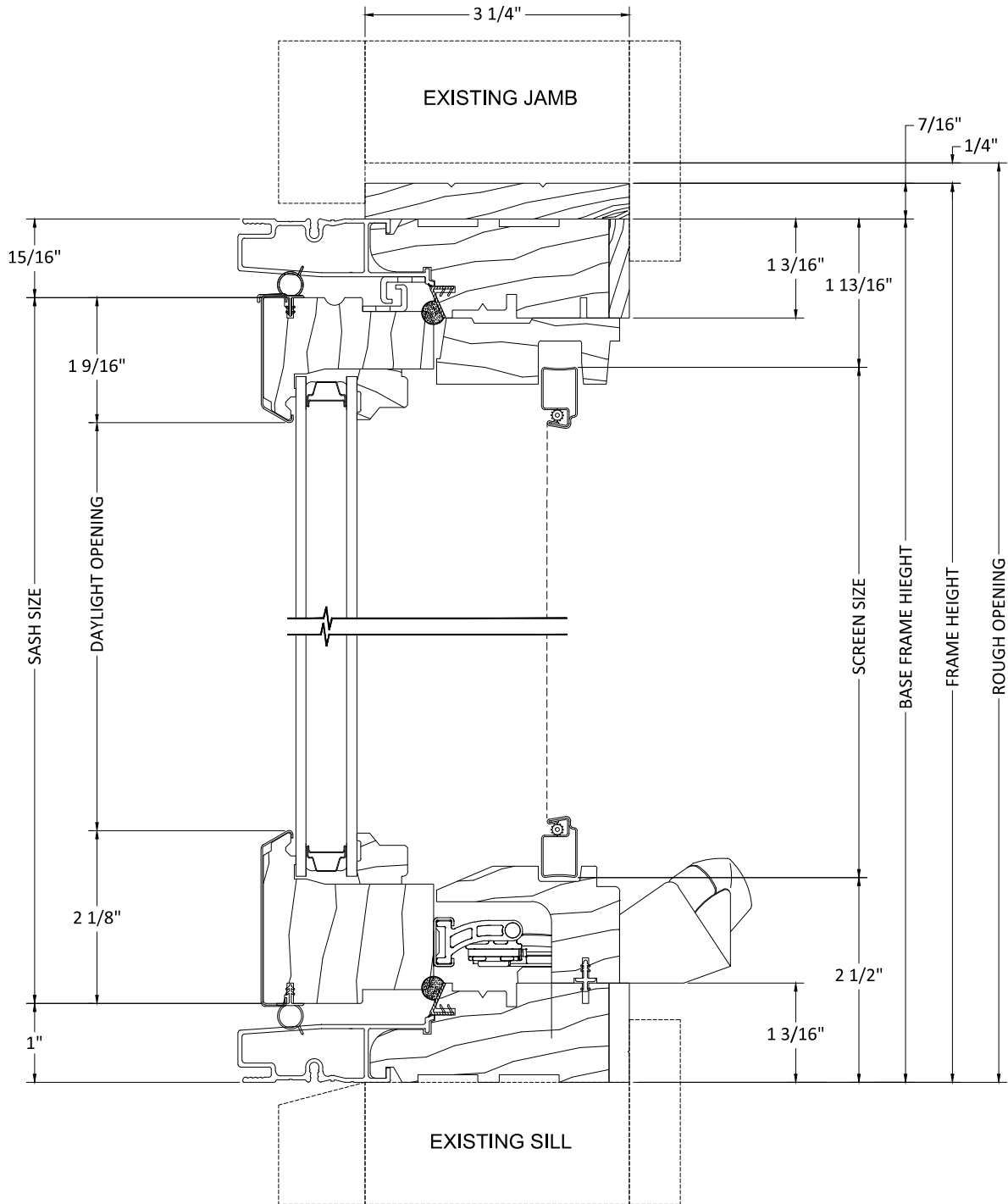
VERTICAL SECTION  
OPERATING UNIT



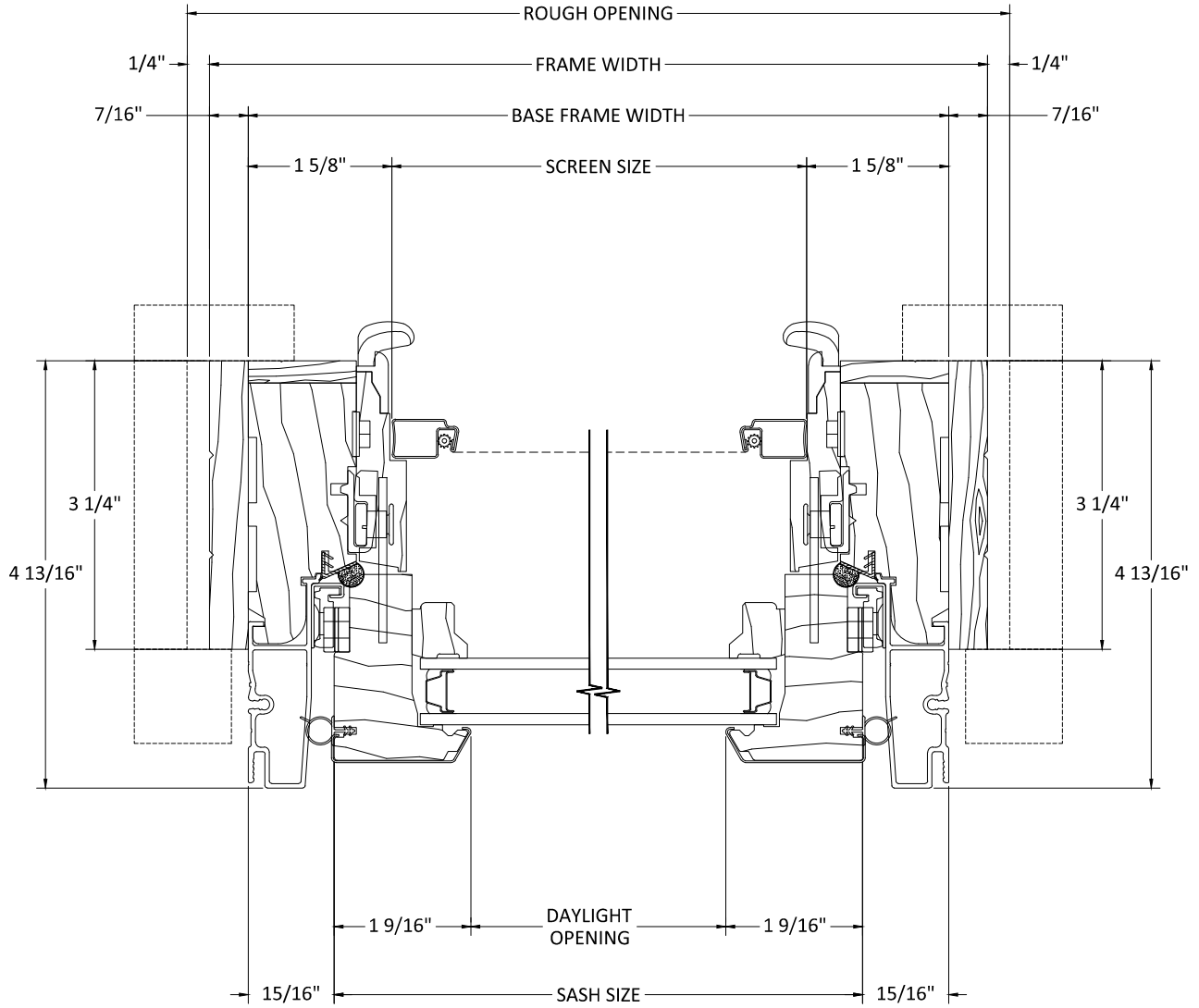
**HORIZONTAL SECTION  
OPERATING UNIT**



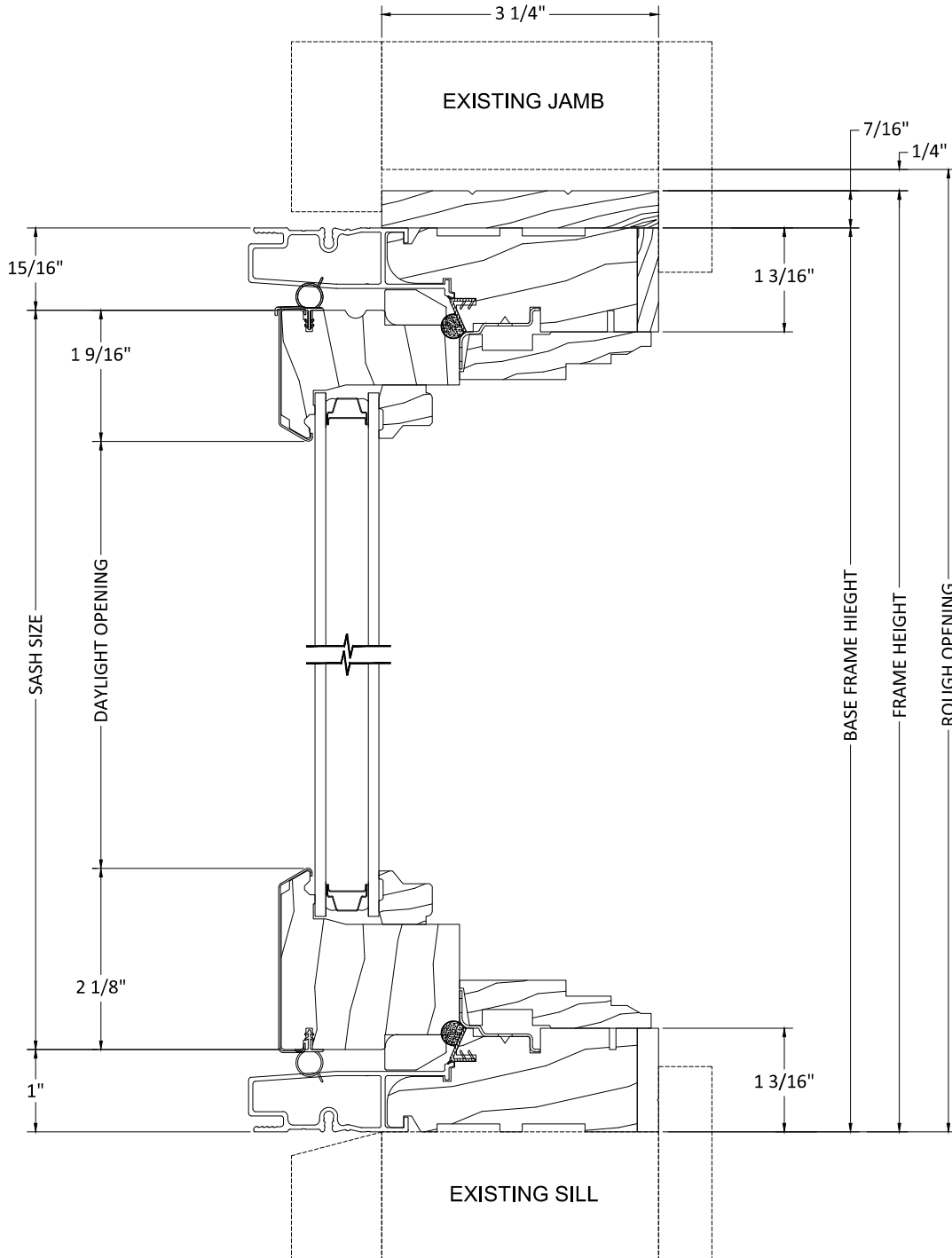
**VERTICAL SECTION  
OPERATING UNIT**



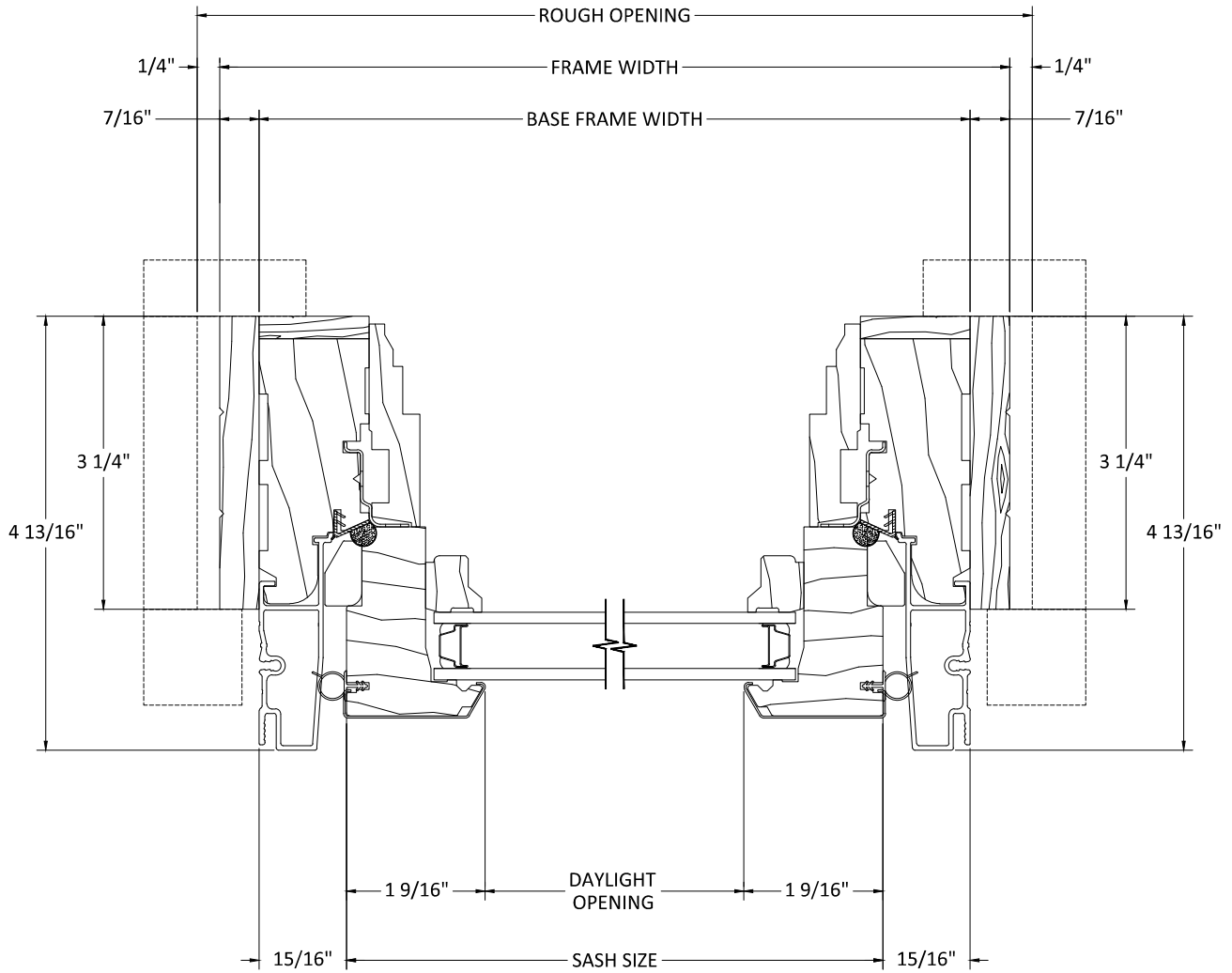
**HORIZONTAL SECTION**  
**OPERATING UNIT**



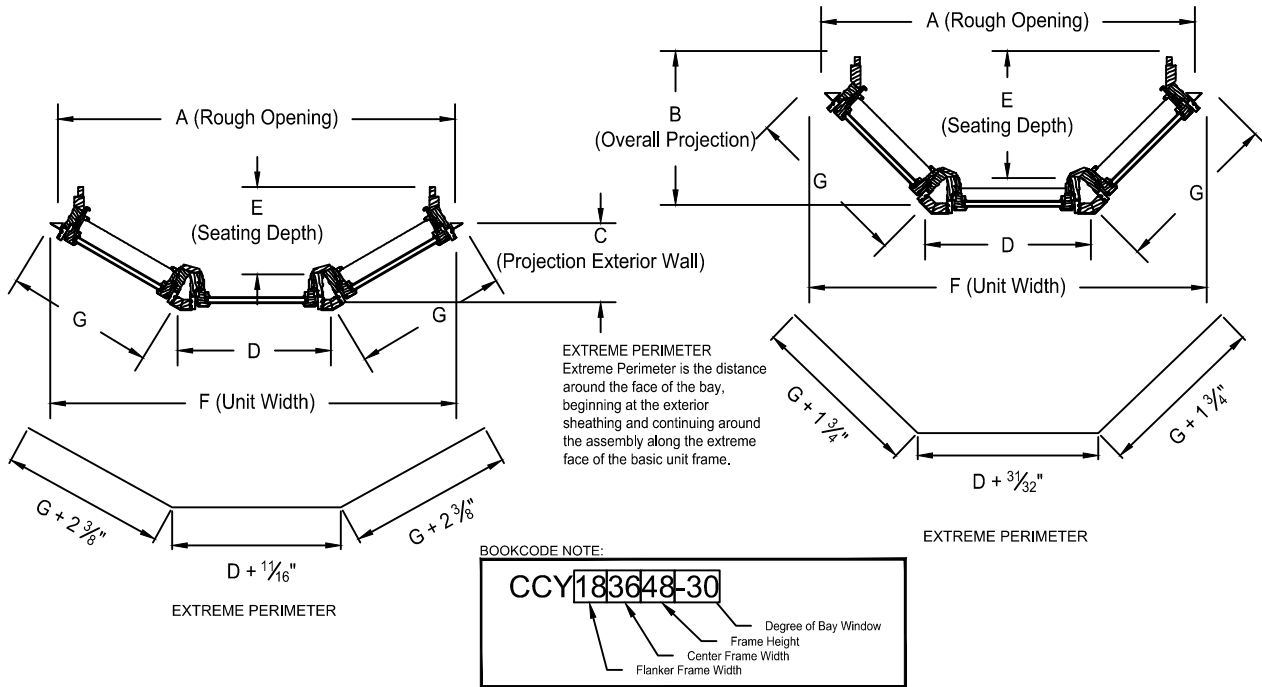
VERTICAL SECTION  
PICTURE UNIT



HORIZONTAL SECTION  
PICTURE UNIT



### BAY WINDOW HORIZONTAL SPECIFICATION TABLES



30° BAY									
Flanker Width	Center Width	A	F	B*	C	E*	D	G	
		Rough Opening	Unit Width	Overall Projection	Projection Exterior Wall	Seating Depth	Outside Mull To Mull	Outside Mull To Unit	
18	18	52 3/8	53 11/16	14 13/16	10 1/4	11 7/16	19 13/16	20 3/8	
18	36	70 3/8	71 11/16	14 13/16	10 1/4	11 7/16	37 13/16	20 3/8	
18	42	76 3/8	77 11/16	14 13/16	10 1/4	11 7/16	43 13/16	20 3/8	
18	48	82 3/8	83 11/16	14 13/16	10 1/4	11 7/16	49 13/16	20 3/8	
18	60	94 3/8	95 11/16	14 13/16	10 1/4	11 7/16	61 13/16	20 3/8	
18	72	106 3/8	107 11/16	14 13/16	10 1/4	11 7/16	73 13/16	20 3/8	

45° BAY									
Flanker Width	Center Width	A	F	B*	C	E*	D	G	
		Rough Opening	Unit Width	Overall Projection	Projection Exterior Wall	Seating Depth	Outside Mull To Mull	Outside Mull To Unit	
18	18	46 13/16	49 13/16	19 5/16	14 13/16	15 15/16	20 13/16	20 7/8	
18	36	64 13/16	67 13/16	19 5/16	14 13/16	15 15/16	38 13/16	20 7/8	
18	42	70 13/16	73 13/16	19 5/16	14 13/16	15 15/16	44 13/16	20 7/8	
18	48	76 13/16	79 13/16	19 5/16	14 13/16	15 15/16	50 13/16	20 7/8	
18	60	88 13/16	91 13/16	19 5/16	14 13/16	15 15/16	62 13/16	20 7/8	
18	72	100 13/16	103 13/16	19 5/16	14 13/16	15 15/16	74 13/16	20 7/8	

24	24	68 13/16	70 1/16	17 13/16	13 1/4	14 7/16	25 13/16	26 3/8	
24	36	80 13/16	82 1/16	17 13/16	13 1/4	14 7/16	37 13/16	26 3/8	
24	42	86 13/16	88 1/16	17 13/16	13 1/4	14 7/16	43 13/16	26 3/8	
24	48	92 13/16	94 1/16	17 13/16	13 1/4	14 7/16	49 13/16	26 3/8	
24	60	104 13/16	106 1/16	17 13/16	13 1/4	14 7/16	61 13/16	26 3/8	
24	72	116 13/16	118 1/16	17 13/16	13 1/4	14 7/16	73 13/16	26 3/8	

24	24	61 5/16	64 5/16	23 9/16	19 1/32	20 3/16	26 13/16	26 7/8	
24	36	73 5/16	76 5/16	23 9/16	19 1/32	20 3/16	38 13/16	26 7/8	
24	42	79 5/16	82 5/16	23 9/16	19 1/32	20 3/16	44 13/16	26 7/8	
24	48	85 5/16	88 5/16	23 9/16	19 1/32	20 3/16	50 13/16	26 7/8	
24	60	97 5/16	100 5/16	23 9/16	19 1/32	20 3/16	62 13/16	26 7/8	
24	72	109 5/16	112 5/16	23 9/16	19 1/32	20 3/16	74 13/16	26 7/8	

28	28	79 11/16	81	19 13/16	15 1/4	16 7/16	29 13/16	30 3/8	
28	36	87 11/16	89	19 13/16	15 1/4	16 7/16	37 13/16	30 3/8	
28	42	93 11/16	95	19 13/16	15 1/4	16 7/16	43 13/16	30 3/8	
28	48	99 11/16	101	19 13/16	15 1/4	16 7/16	49 13/16	30 3/8	
28	60	111 11/16	113	19 13/16	15 1/4	16 7/16	61 13/16	30 3/8	
28	72	123 11/16	125	19 13/16	15 1/4	16 7/16	73 13/16	30 3/8	

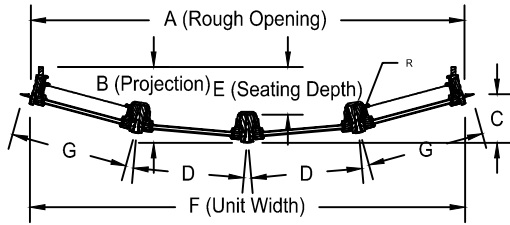
28	28	71	73 31/32	26 3/8	21 7/8	23	30 13/16	30 7/8	
28	36	79	81 31/32	26 3/8	21 7/8	23	38 13/16	30 7/8	
28	42	85	87 31/32	26 3/8	21 7/8	23	44 13/16	30 7/8	
28	48	91	93 31/32	26 3/8	21 7/8	23	50 13/16	30 7/8	
28	60	103	105 31/32	26 3/8	21 7/8	23	62 13/16	30 7/8	
28	72	115	117 31/32	26 3/8	21 7/8	23	74 13/16	30 7/8	

**4 9/16 and 6 9/16 WALL APPLICATION**

The tables above reflect a 4 9/16" wall application. To convert to 6 9/16" wall application add 2" to the figures in the columns which show an asterisk (\*), B and E.  
ROUGH OPENING data reflects FRAME + 3/4".

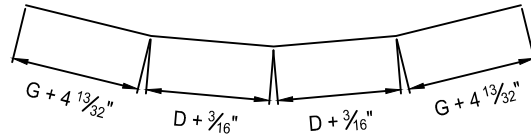


BOW WINDOW HORIZONTAL  
SPECIFICATION TABLES

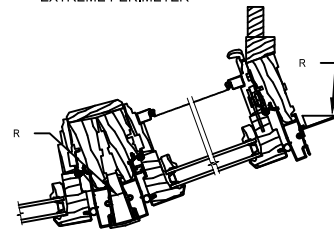


**EXTREME PERIMETER**  
Extreme Perimeter is the distance around the face of the bow, beginning at the exterior sheathing and continuing around the assembly along the extreme face of the brickmould.

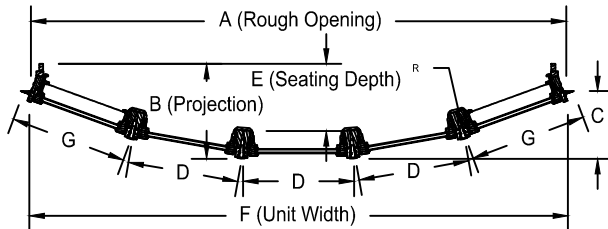
4 WIDE BOW									
Flanker Width	A Rough Opening	F Unit Width	B* Overall Projection	C Projection Exterior Wall	E* Seating Depth	D Outside Mull To Mull	G Outside Mull To Unit	R Radius	
18	72 7/8	72 32/32	11 13/32	6 27/32	8	18 19/32	19 25/32	106 1/2	
24	96 7/16	96 1/2	13 15/32	8 29/32	10 3/32	24 19/32	25 25/32	140 3/8	
28	112 1/8	112 3/16	14 7/8	10 5/16	11 15/32	28 19/32	29 25/32	163 1/16	



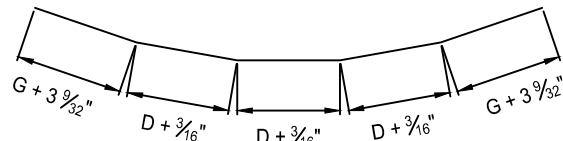
EXTREME PERIMETER



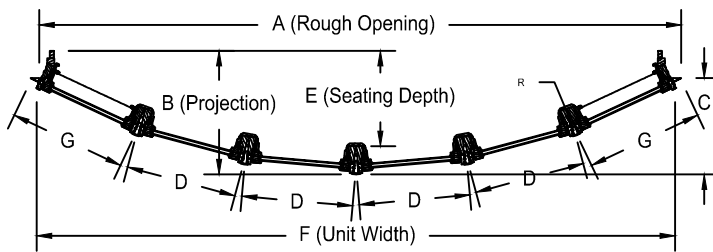
**RADIUS NOTE:** The Radius of a Bow Window is referenced from the interior of the Brickmould.



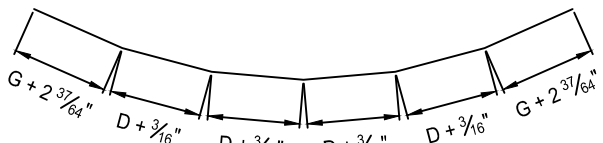
5 WIDE BOW									
Flanker Width	A Rough Opening	F Unit Width	B* Overall Projection	C Projection Exterior Wall	E* Seating Depth	D Outside Mull To Mull	G Outside Mull To Unit	R Radius	
18	89 15/16	90 3/8	14 5/8	10 1/16	11 7/32	18 19/32	19 25/32	106 1/2	
24	119	119 7/16	17 11/16	13 1/8	14 5/16	24 19/32	25 25/32	140 15/16	
28	138 3/8	138 27/32	19 3/4	15 3/16	16 3/8	28 19/32	29 25/32	163 1/16	



EXTREME PERIMETER



6 WIDE BOW									
Flanker Width	A Rough Opening	F Unit Width	B* Overall Projection	C Projection Exterior Wall	E* Seating Depth	D Outside Mull To Mull	G Outside Mull To Unit	R Radius	
18	106 1/4	107 1/16	19 3/8	14 13/16	16	18 19/32	19 25/32	106 1/2	
24	140 5/8	141 15/32	24	19 7/16	20 5/8	24 19/32	25 25/32	140 15/16	
28	163 5/8	164 7/16	27 1/16	22 1/2	23 11/16	28 19/32	29 25/32	163 1/16	



EXTREME PERIMETER

**4 9/16 and 6 9/16 WALL APPLICATION**  
The tables above reflect a 4 9/16" wall application. To convert to 6 9/16" wall application add 2" to the figures in the columns which show an asterisk (\*), B and E.

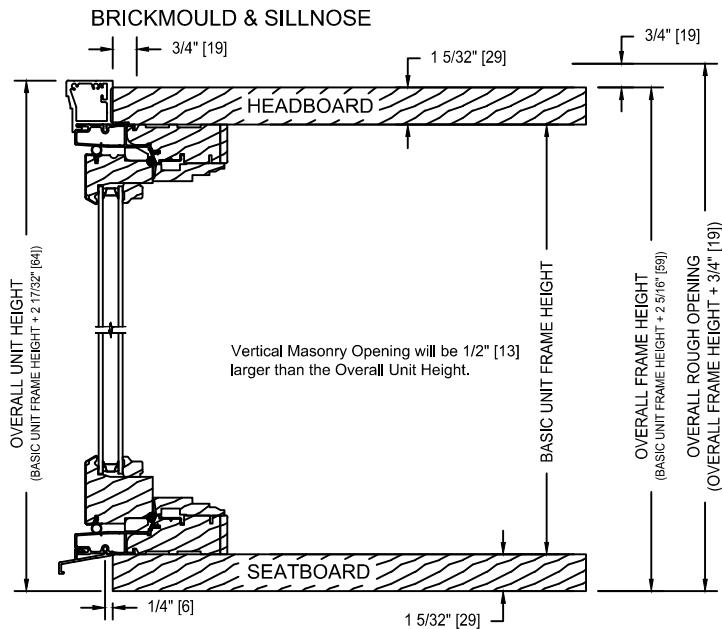
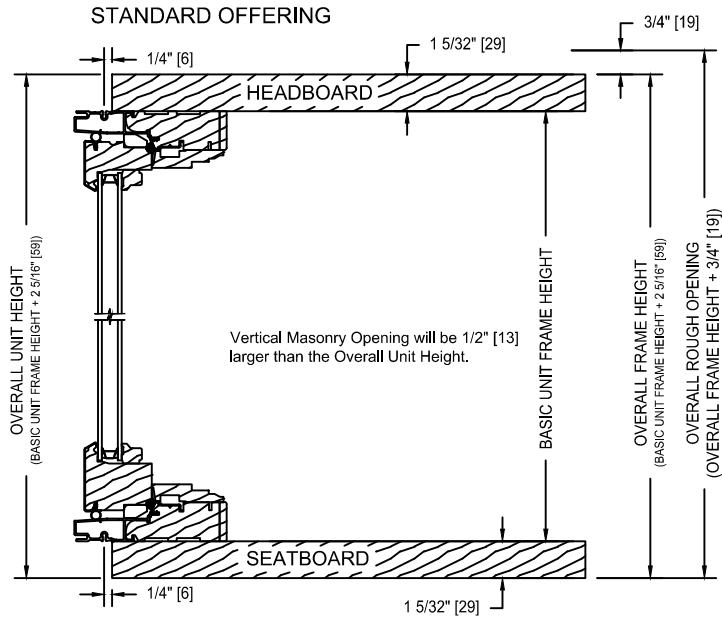
**BAY & BOW WINDOW ROUGH OPENINGS**

**BAY & BOW WINDOW TRIM OPTIONS**

The standard offering for clad bay & bow windows is 'frame only' and brickmould and sillnose. Other trim options subject to approval. Rough & Masonry openings remain consistent with all trim options.

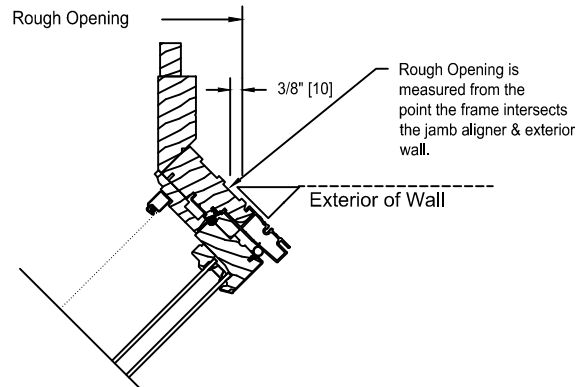
**VERTICAL ROUGH OPENING**

Rough Opening typical for all Units

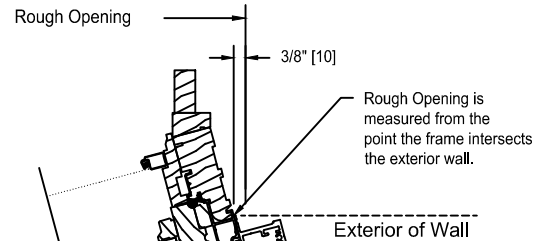


**HORIZONTAL ROUGH OPENING**

Rough Opening typical for all Units



**30° & 45° BAYS**  
45° Bay Shown  
without trim



**4, 5 & 6 WIDE BOWS**  
4 Wide Bow Shown  
with Brickmould Shown