


**Product Detail Sheets**  
**Table of Contents**


Construction Details..... 3

C6670 V-Groove Doors


6' – 8"  
9-Panel Door  
2' - 0" thru 3' - 0"  
.....pg. 4



7' – 0"  
9-Panel Door  
2' - 0" thru 3' - 0"  
.....pg. 5




8' – 0"  
9-Panel Door  
2' - 0" thru 3' - 0"  
.....pg. 6




C6680 V-Groove Doors


6' – 8"  
3-Panel Door  
2' - 0" thru 3' - 0"  
.....pg. 7



7' – 0"  
3-Panel Door  
2' - 0" thru 3' - 0"  
.....pg. 8

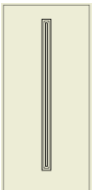


8' – 0"  
3-Panel Door  
2' - 0" thru 3' - 0"  
.....pg. 9




C6700 Contemporary Doors

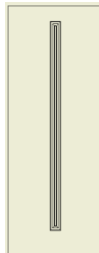
6' – 8"  
1-Panel Door  
2' - 0" thru 3' - 0"  
.....pg. 10



7' – 0"  
1-Panel Door  
2' - 0" thru 3' - 0"  
.....pg. 11




8' – 0"  
1-Panel Door  
2' - 0" thru 3' - 0"  
.....pg. 12




**Product Detail Sheets**  
**Table of Contents**

C6720 Contemporary Doors


6' – 8"  
1-Panel Door  
2' - 0" thru 3' - 0"  
.....pg. 13



7' – 0"  
1-Panel Door  
2' - 0" thru 3' - 0"  
.....pg. 14




8' – 0"  
1-Panel Door  
2' - 0" thru 3' - 0"  
.....pg. 15




C6730 Contemporary Doors


6' – 8"  
7-Panel Door  
2' - 0" thru 3' - 0"  
.....pg. 16



7' – 0"  
7-Panel Door  
2' - 0" thru 3' - 0"  
.....pg. 17




8' – 0"  
8-Panel Door  
2' - 0" thru 3' - 0"  
.....pg. 18




C6860 Contemporary Doors


6' – 8"  
6-Panel Door  
2' - 0" thru 4' - 0"  
.....pg. 19



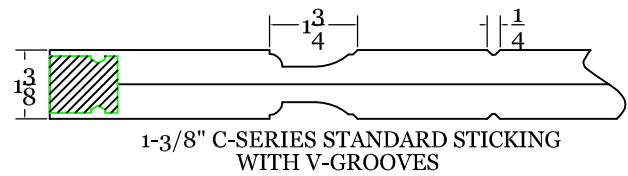
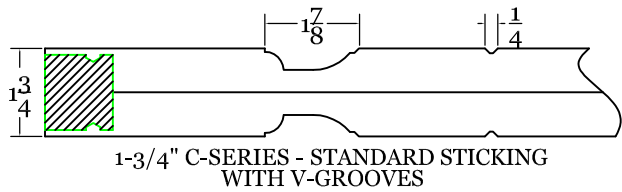
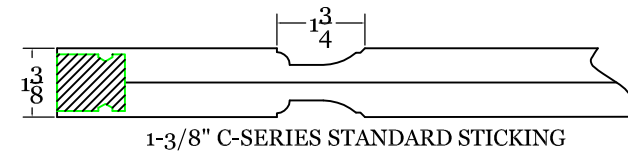
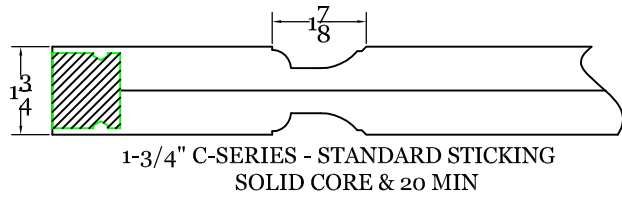
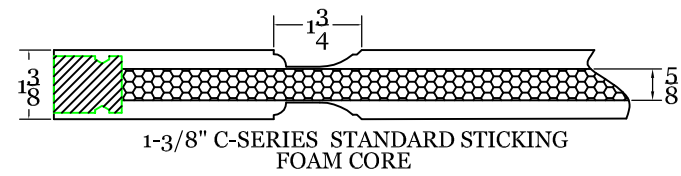
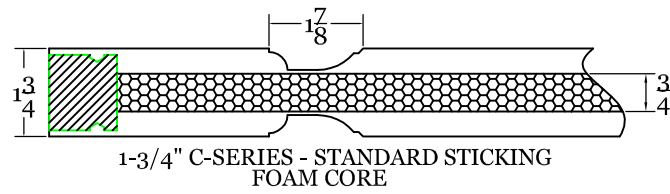
7' – 0"  
6-Panel Door  
2' - 0" thru 4' - 0"  
.....pg. 20



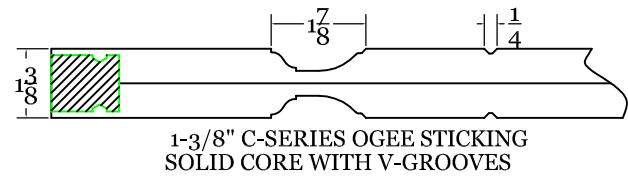
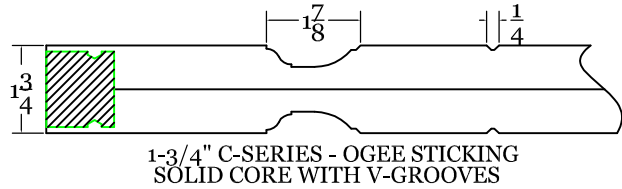
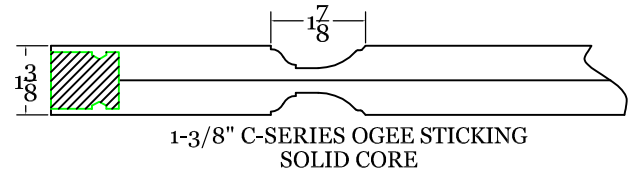
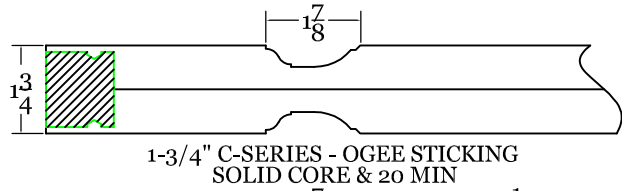
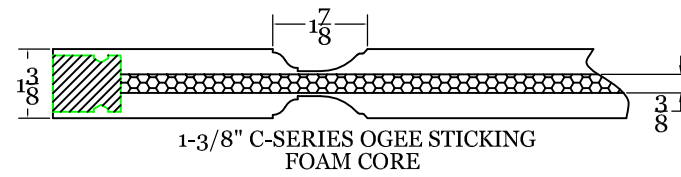
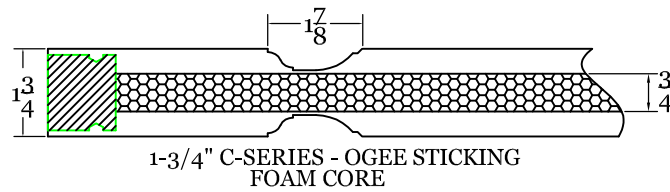
8' – 0"  
6-Panel Door  
2' - 0" thru 4' - 0"  
.....pg. 21



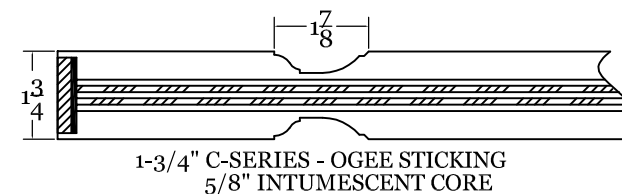
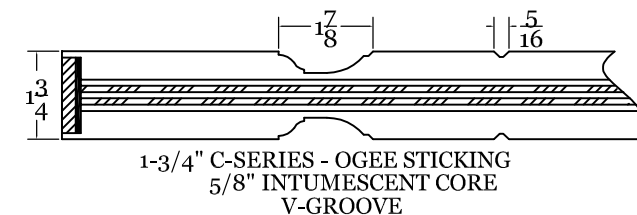
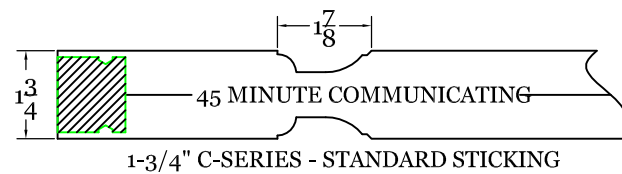
## STANDARD STICKING



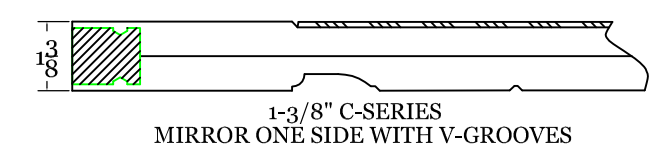
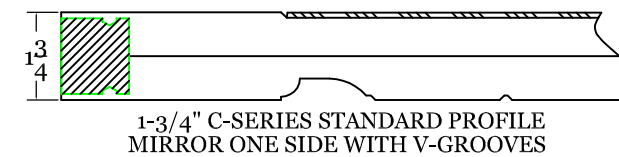
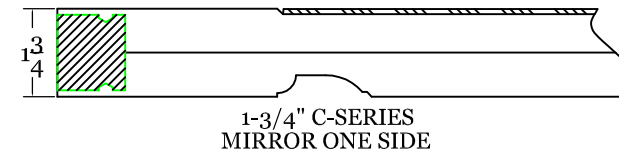
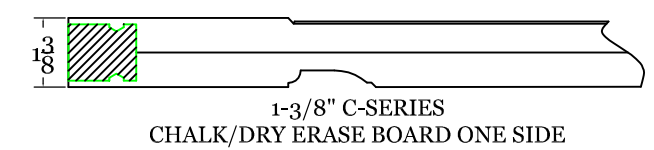
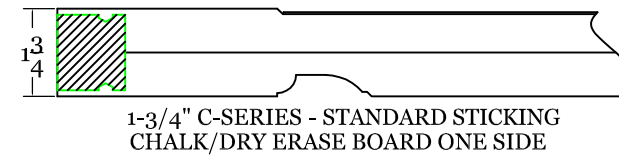
## OGEE STICKING



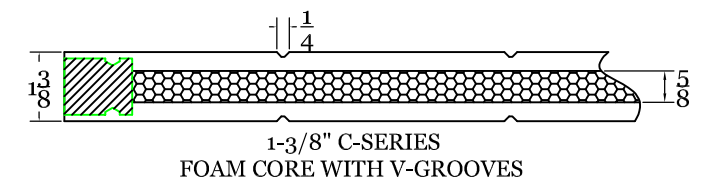
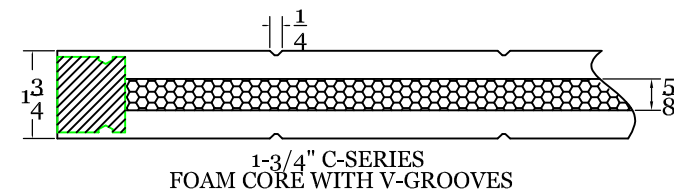
## FIRE RATED DOORS



## SPECIALITY DOORS



## V-GROOVE CUSTOM DOORS



NOTE: NOT ALL DESIGNS AVAILABLE IN ALL DOOR LINES AND SIZES. SOME DESIGNS ARE HANDED. SEE LOCAL DEALER FOR MORE INFORMATION.

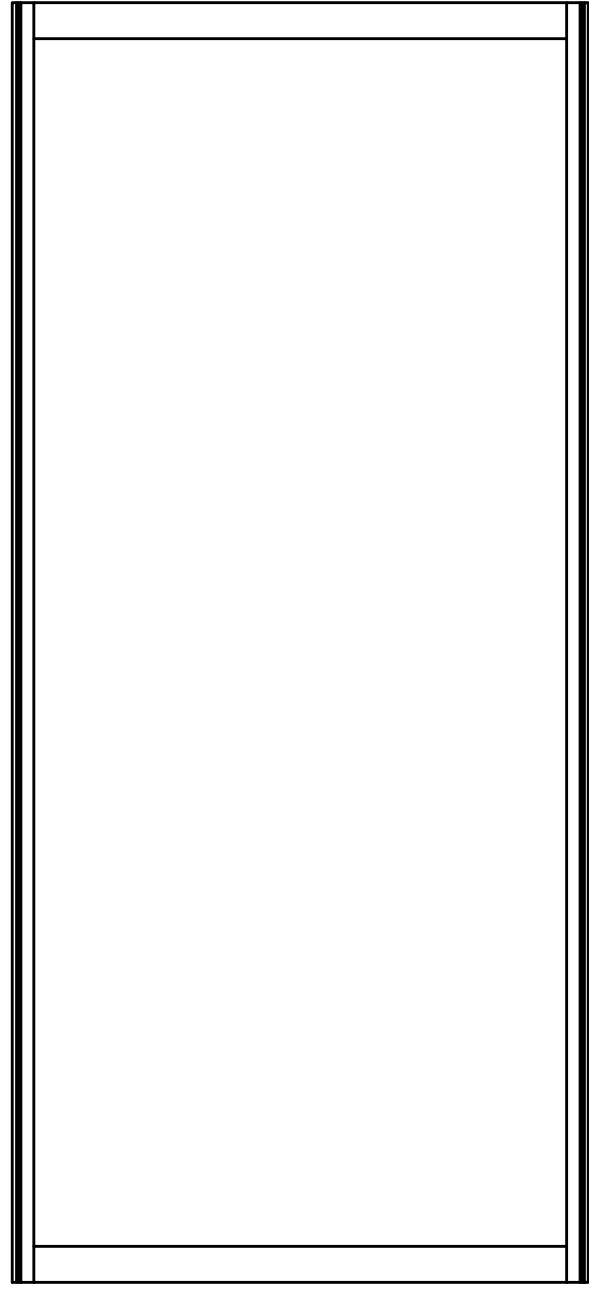
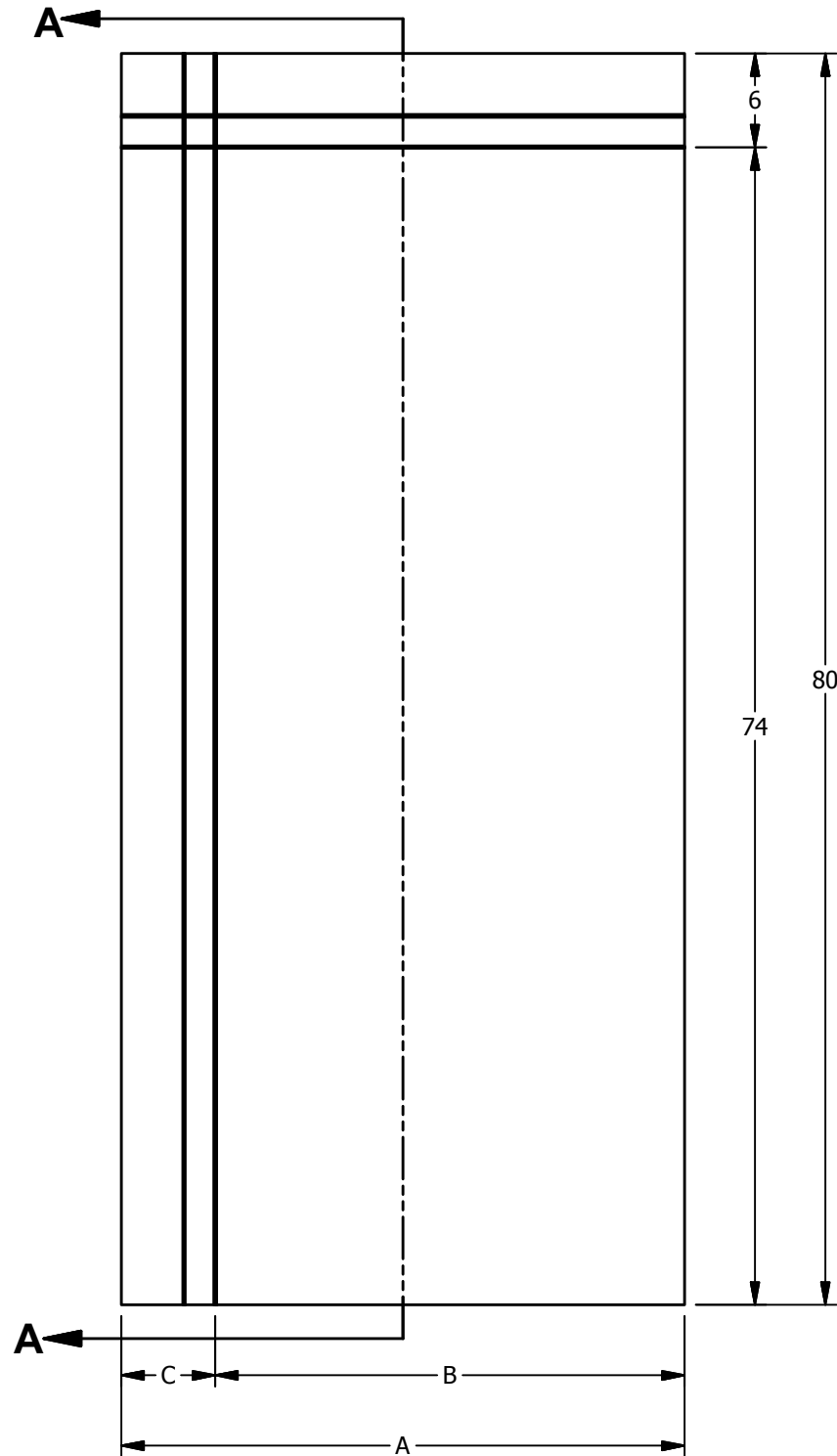
CREATION DATE: 7/17/2015	<b>JELD-WEN</b> WINDOWS & DOORS	3737 Lakeport Blvd. Klamath Falls, OR 97601 Phone: (800) 441-3884 www.jeld-wen.com
REV. DATE:		
TITLE: <b>TRIA COLLECTION CONSTRUCTION DETAILS</b>		
DESCRIPTION: <b>C-SERIES 1 3/8" &amp; 1 3/4"</b> CORE & STICKING OPTIONS		

© 2015 JELD-WEN, inc. ALL RIGHTS RESERVED.  
 NO DUPLICATION OR DISTRIBUTION PERMITTED.  
 JELD-WEN, inc. CONFIDENTIAL AND PROPRIETARY.

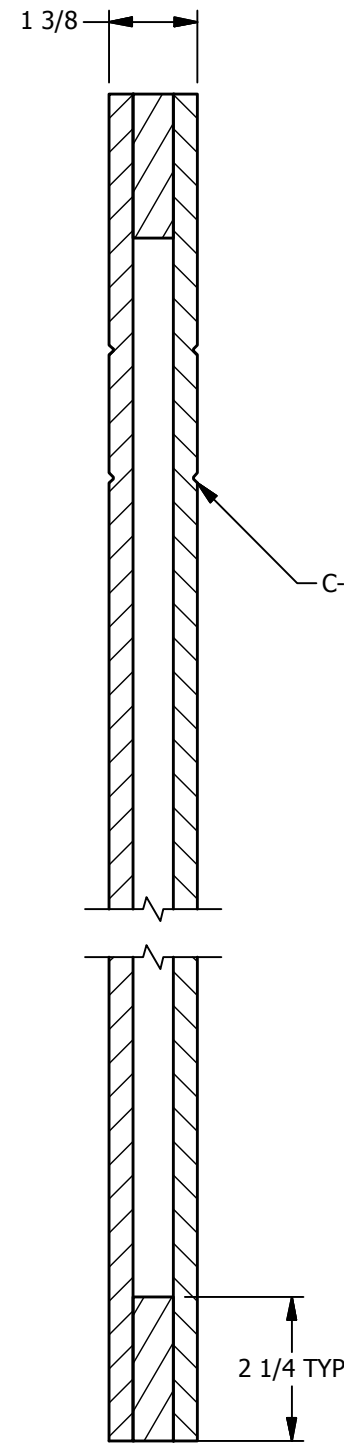
DIMENSION TABLE			
DOOR SIZE	"A"	"B"	"C"
3'-0" X 6'-8"	36"	30"	6"
2'-10" X 6'-8"	34"	28"	6"
2'-8" X 6'-8"	32"	26"	6"
2'-6" X 6'-8"	30"	24"	6"
2'-4" X 6'-8"	28"	22"	6"
2'-0" X 6'-8"	24"	18"	6"

**NOTES:**


1. DOOR THICKNESS ALSO AVAILABLE IN 1 3/4"
2. ALSO AVAILABLE WITH SOLID CORE



**DETAIL**  
FRONT ELEVATION



**SECTION A-A**

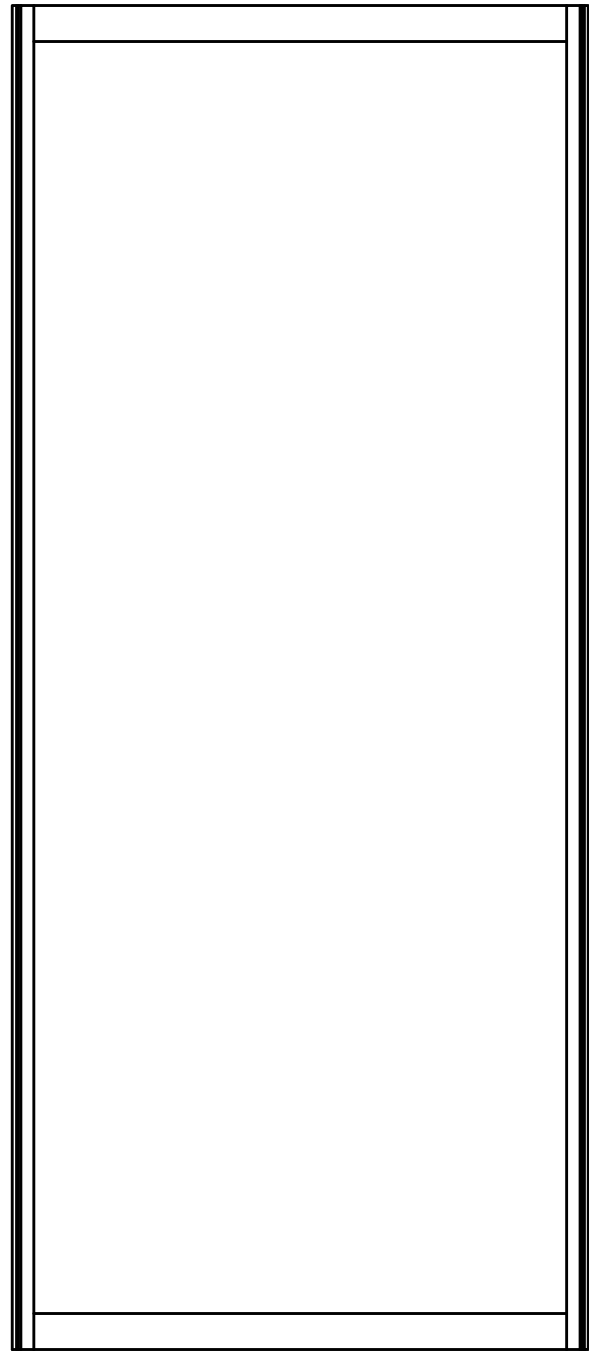
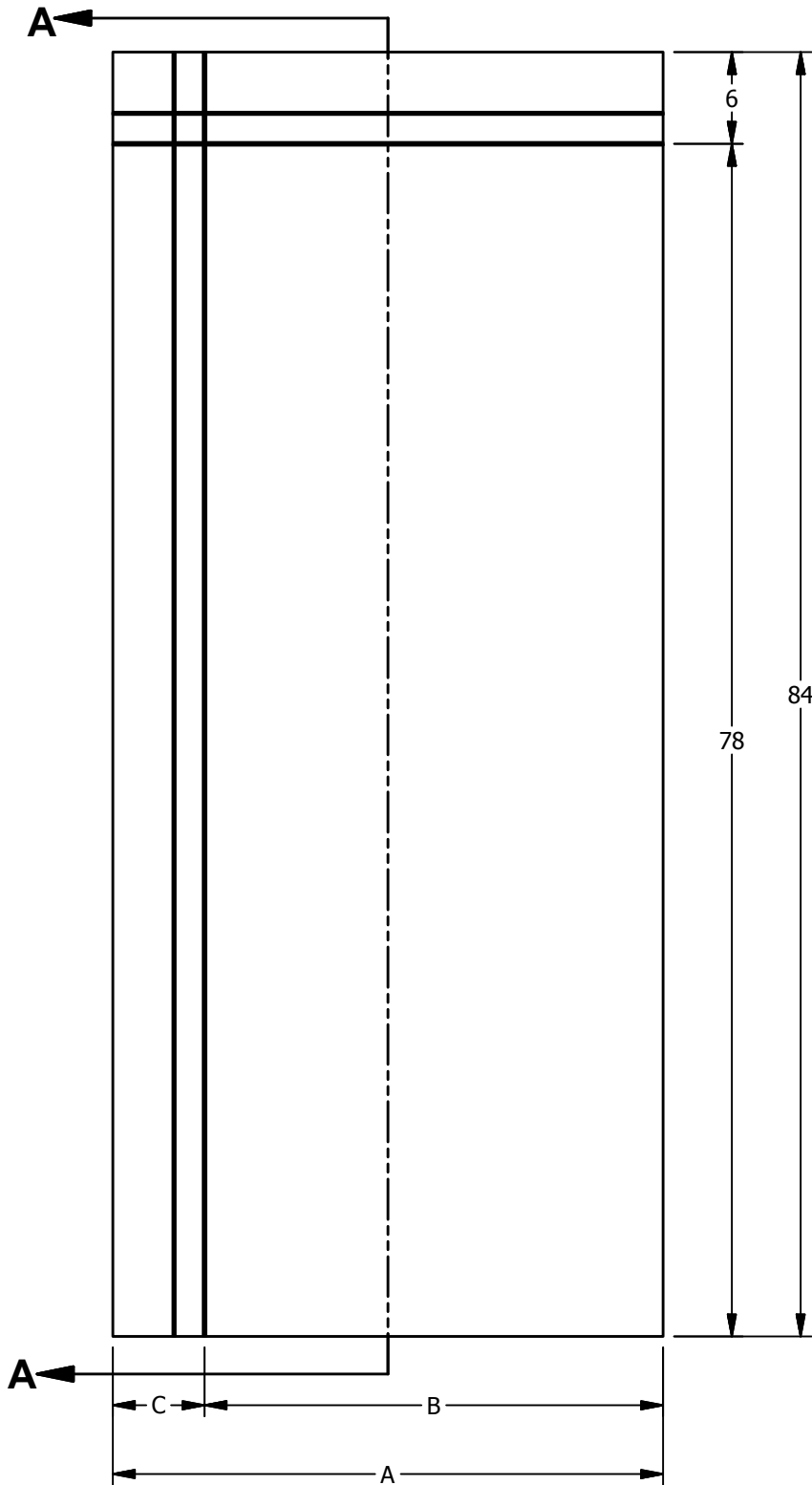
CREATION DATE: 7/12/2015		3737 Lakeport Blvd. Klamath Falls, OR 97601 Phone: (800) 441-3884 www.jeld-wen.com
REV. DATE:		
TITLE: <b>TRIA COLLECTION</b>		
DESCRIPTION: <b>C6670 6'-8"</b> 2'-0", 2'-4", 2'-6", 2'-8", 2'-10", 3'-0"		

© 2015 JELD-WEN, inc. ALL RIGHTS RESERVED.  
 NO DUPLICATION OR DISTRIBUTION PERMITTED.  
 JELD-WEN, inc. CONFIDENTIAL AND PROPRIETARY.

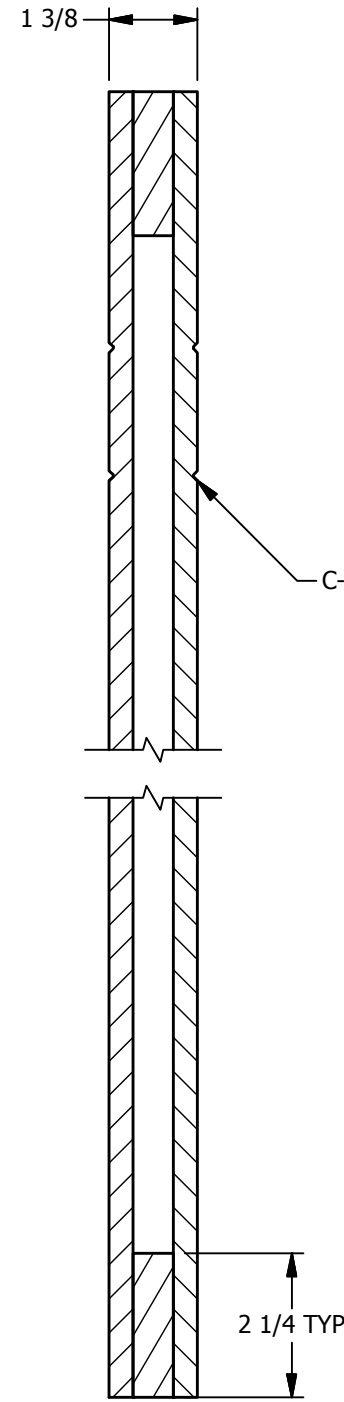
DIMENSION TABLE			
DOOR SIZE	"A"	"B"	"C"
3'-0" X 7'-0"	36"	30"	6"
2'-10" X 7'-0"	34"	28"	6"
2'-8" X 7'-0"	32"	26"	6"
2'-6" X 7'-0"	30"	24"	6"
2'-4" X 7'-0"	28"	22"	6"
2'-0" X 7'-0"	24"	18"	6"

**NOTES:**

1. DOOR THICKNESS ALSO AVAILABLE IN 1 3/4"
2. ALSO AVAILABLE WITH SOLID CORE



**DETAIL**  
FRONT ELEVATION



**SECTION A-A**

CREATION DATE:  
7/12/2015  
REV. DATE:



3737 Lakeport Blvd.  
 Klamath Falls, OR 97601  
 Phone: (800) 441-3884  
 www.jeld-wen.com

TITLE:

**TRIA COLLECTION**

DESCRIPTION:

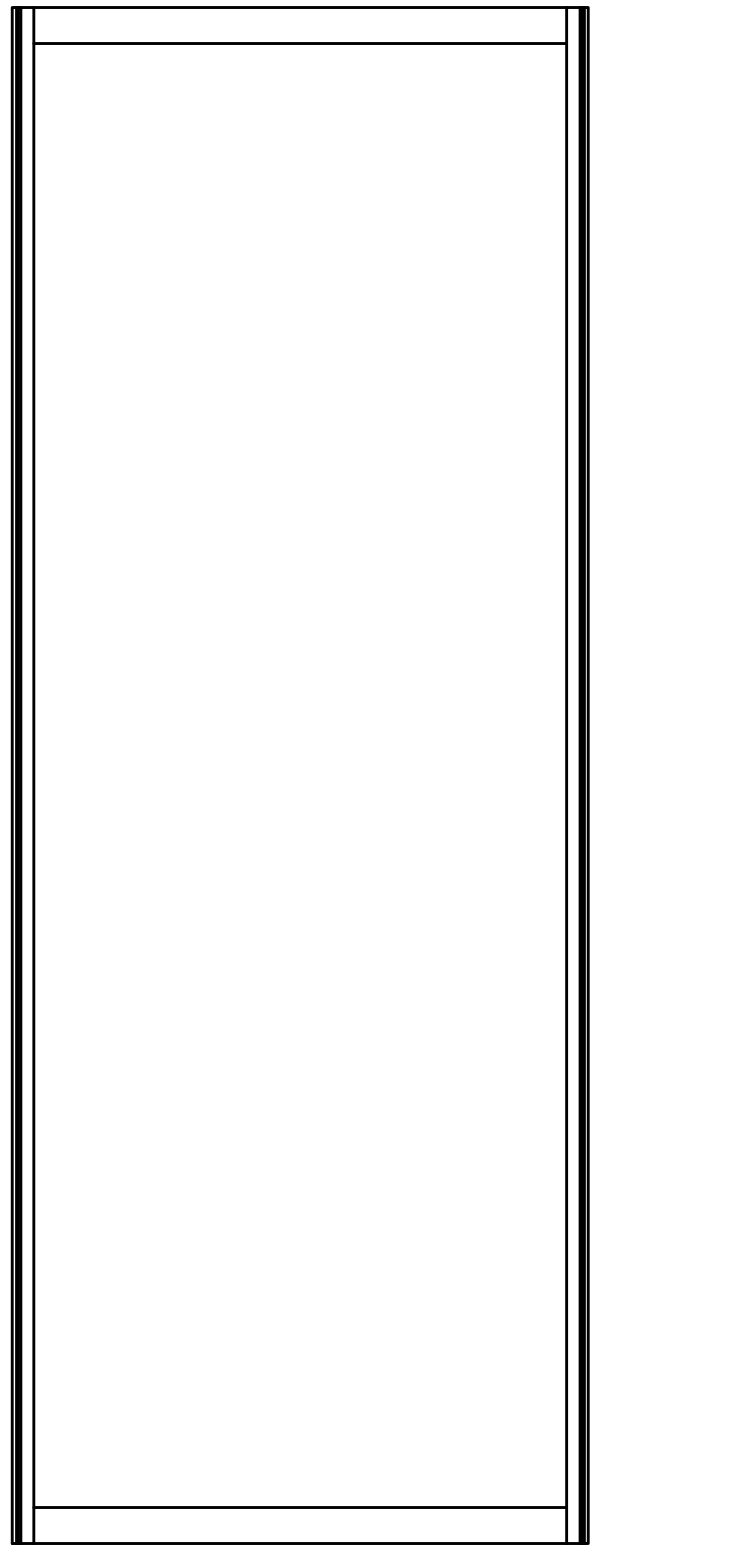
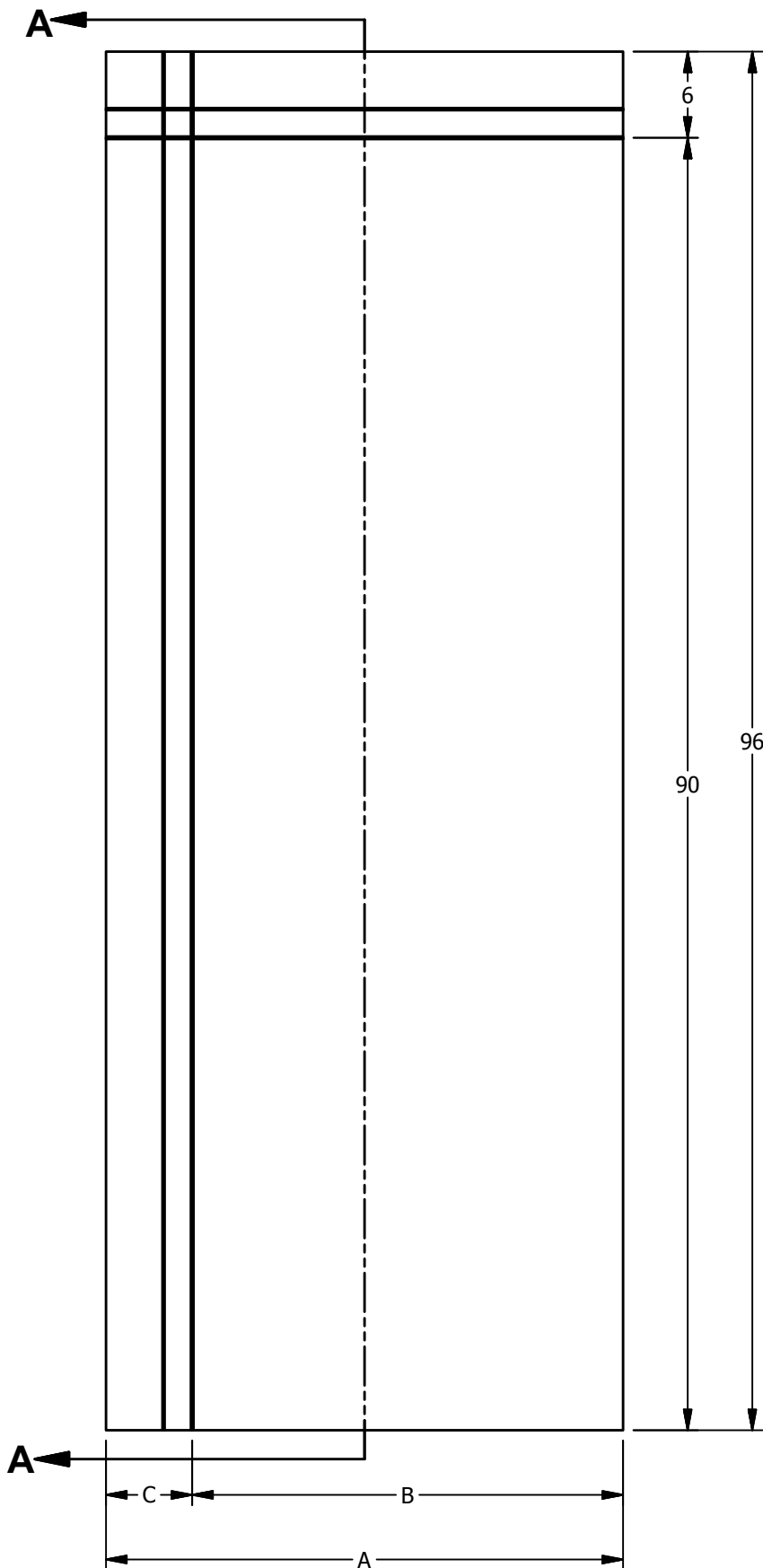
**C6670 7'-0"**  
 2'-0", 2'-4", 2'-6", 2'-8", 2'-10", 3'-0"

© 2015 JELD-WEN, inc. ALL RIGHTS RESERVED.  
 NO DUPLICATION OR DISTRIBUTION PERMITTED.  
 JELD-WEN, inc. CONFIDENTIAL AND PROPRIETARY.

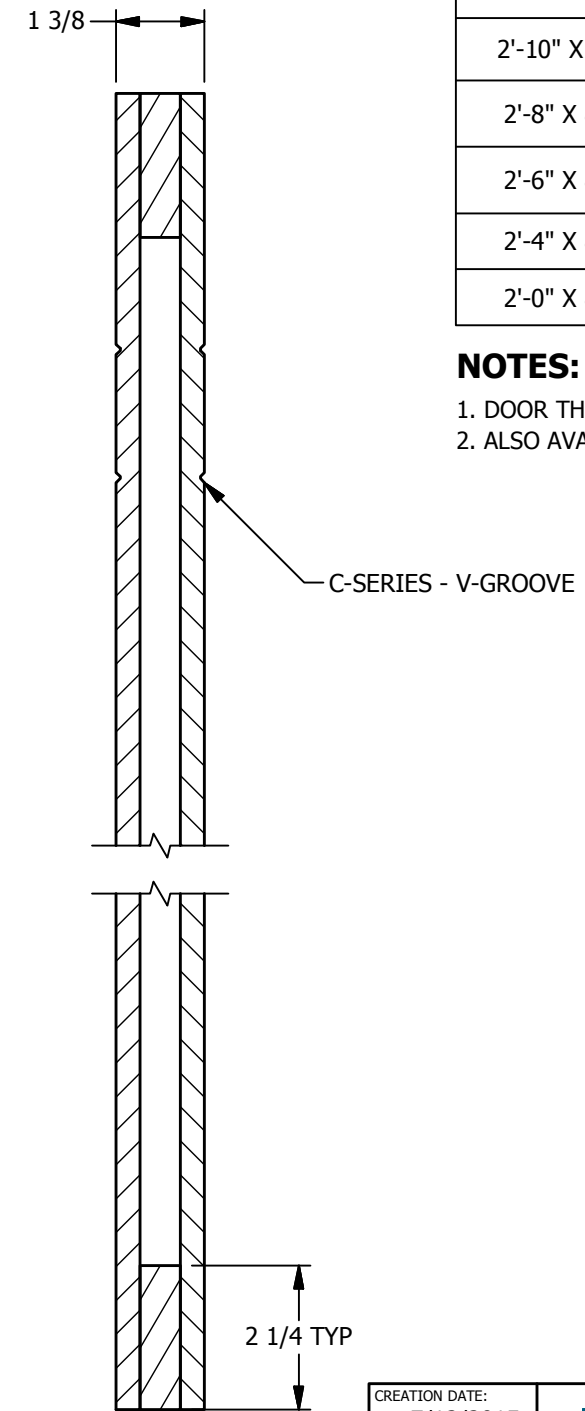
DIMENSION TABLE			
DOOR SIZE	"A"	"B"	"C"
3'-0" X 8'-0"	36"	30"	6"
2'-10" X 8'-0"	34"	28"	6"
2'-8" X 8'-0"	32"	26"	6"
2'-6" X 8'-0"	30"	24"	6"
2'-4" X 8'-0"	28"	22"	6"
2'-0" X 8'-0"	24"	18"	6"

**NOTES:**

1. DOOR THICKNESS ALSO AVAILABLE IN 1 3/4"
2. ALSO AVAILABLE WITH SOLID CORE



**DETAIL**  
FRONT ELEVATION



**SECTION A-A**

CREATION DATE:  
7/12/2015  
REV. DATE:



3737 Lakeport Blvd.  
 Klamath Falls, OR 97601  
 Phone: (800) 441-3884  
 www.jeld-wen.com

TITLE:

**TRIA COLLECTION**

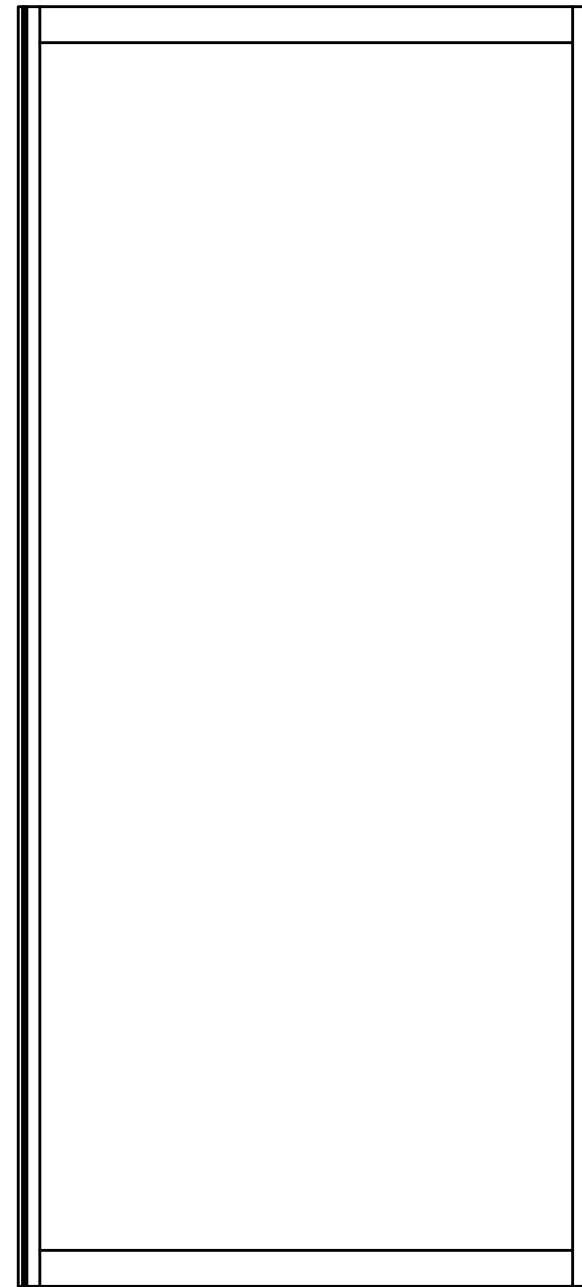
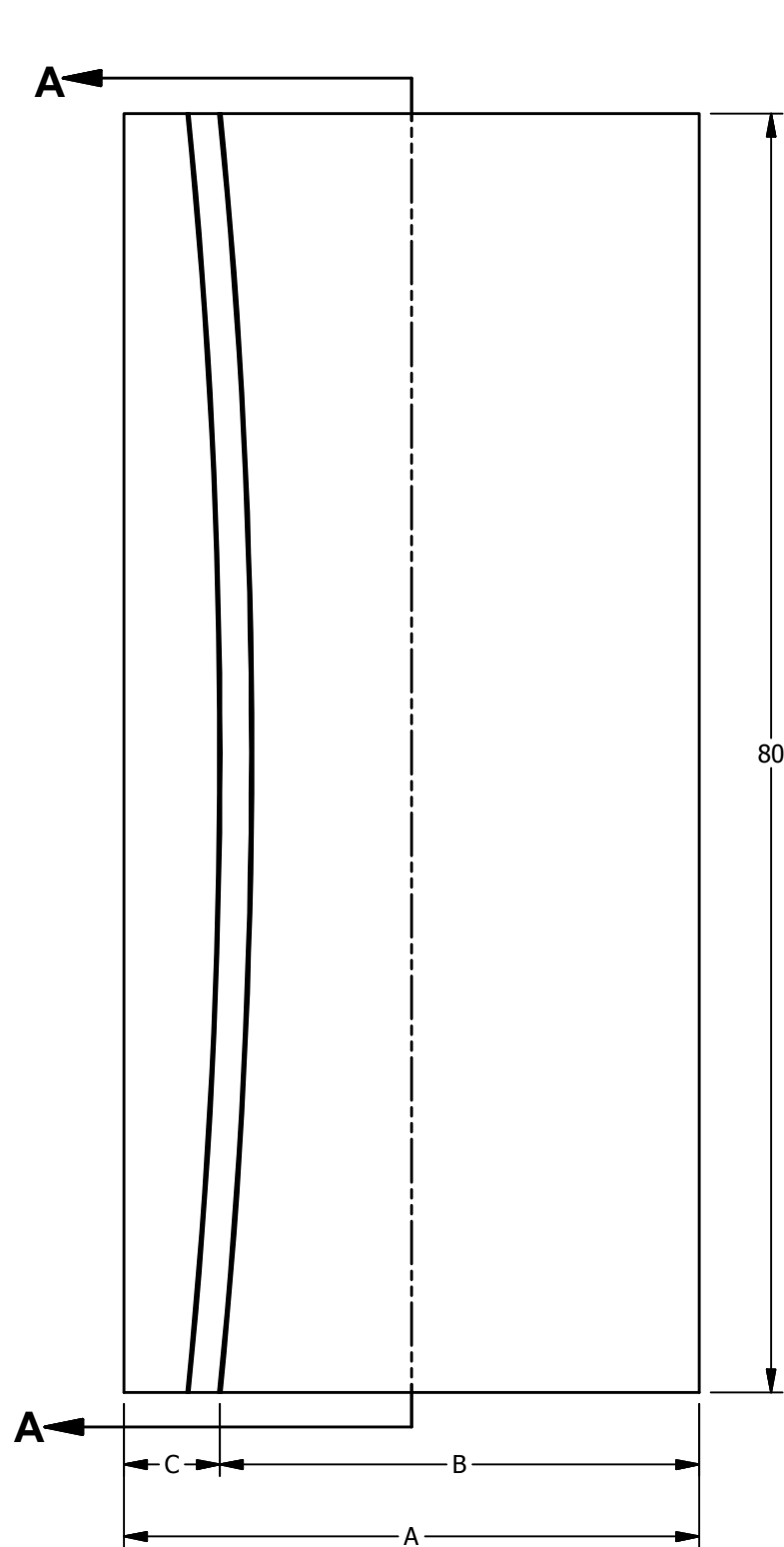
DESCRIPTION:

**C6670 8'-0"**  
 2'-0", 2'-4", 2'-6", 2'-8", 2'-10", 3'-0"

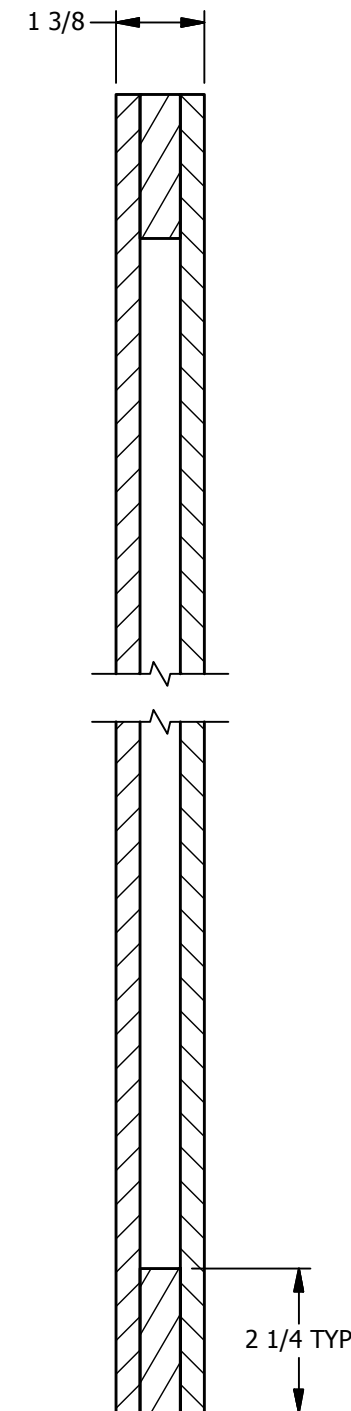
DIMENSION TABLE			
DOOR SIZE	"A"	"B"	"C"
3'-0" X 6'-8"	36"	30"	6"
2'-10" X 6'-8"	34"	28"	6"
2'-8" X 6'-8"	32"	26"	6"
2'-6" X 6'-8"	30"	24"	6"
2'-4" X 6'-8"	28"	22"	6"
2'-0" X 6'-8"	24"	18"	6"

**NOTES:**


1. DOOR THICKNESS ALSO AVAILABLE IN 1 3/4"
2. ALSO AVAILABLE WITH SOLID CORE



**DETAIL**  
FRONT ELEVATION



**SECTION A-A**

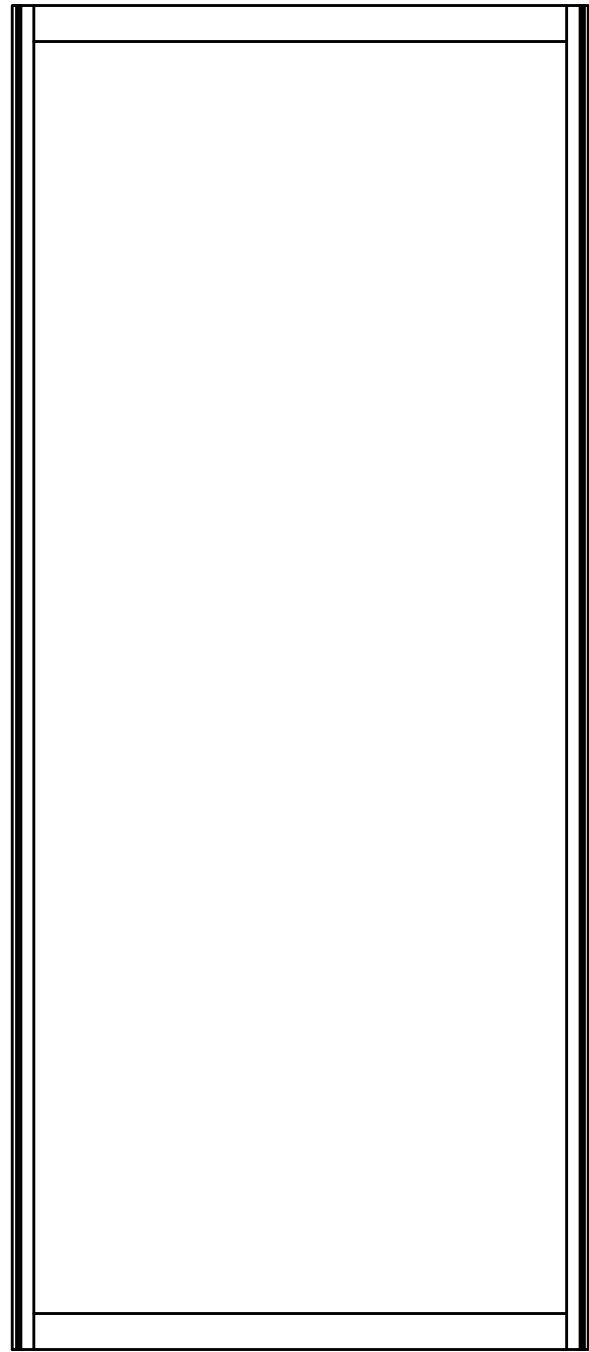
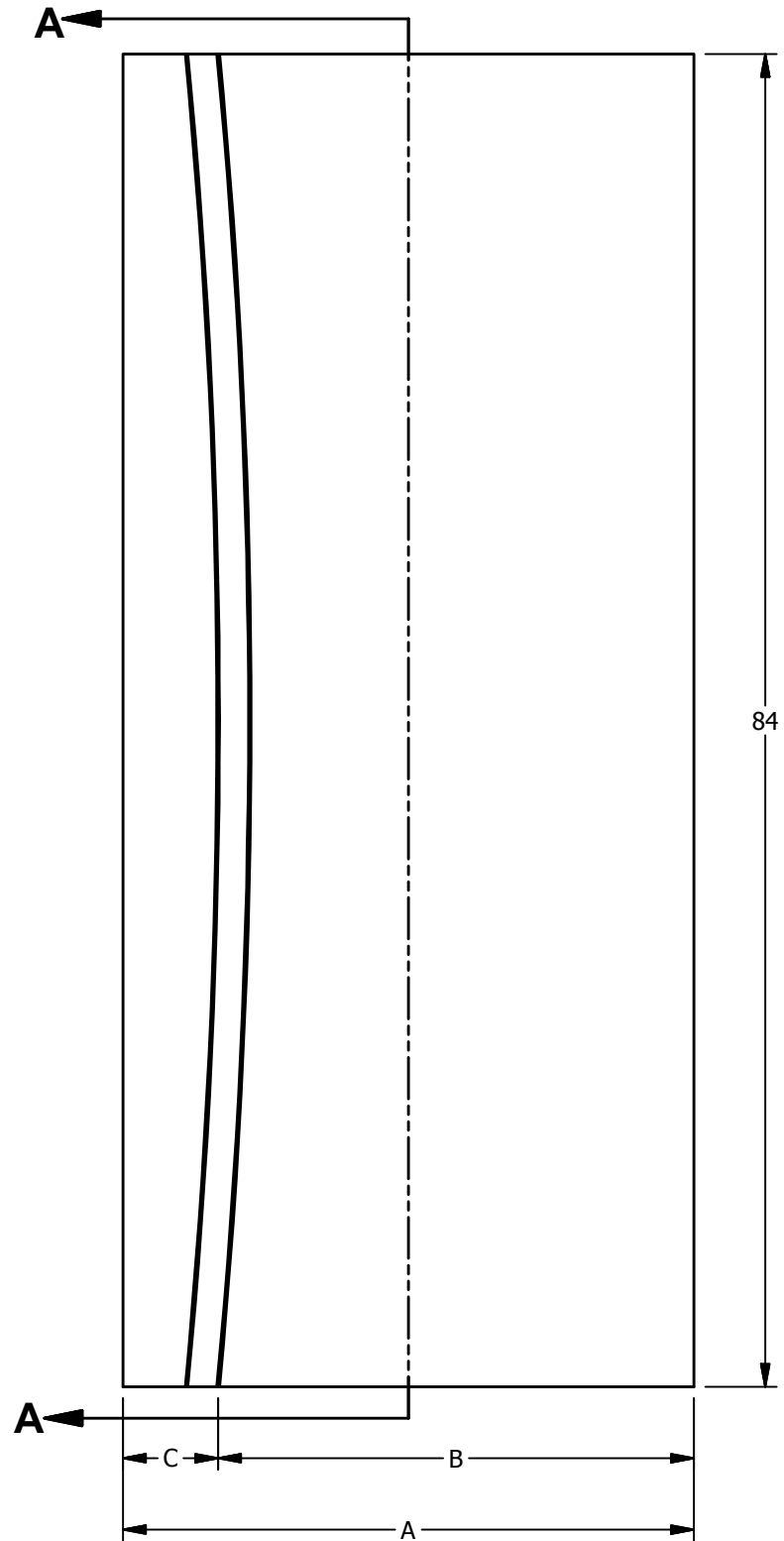
CREATION DATE: 7/12/2015		3737 Lakeport Blvd. Klamath Falls, OR 97601 Phone: (800) 441-3884 www.jeld-wen.com
REV. DATE:		
TITLE: <b>TRIA COLLECTION</b>		
DESCRIPTION: <b>C6680 6'-8"</b> 2'-0", 2'-4", 2'-6", 2'-8", 2'-10", 3'-0"		

© 2015 JELD-WEN, inc. ALL RIGHTS RESERVED.  
 NO DUPLICATION OR DISTRIBUTION PERMITTED.  
 JELD-WEN, inc. CONFIDENTIAL AND PROPRIETARY.

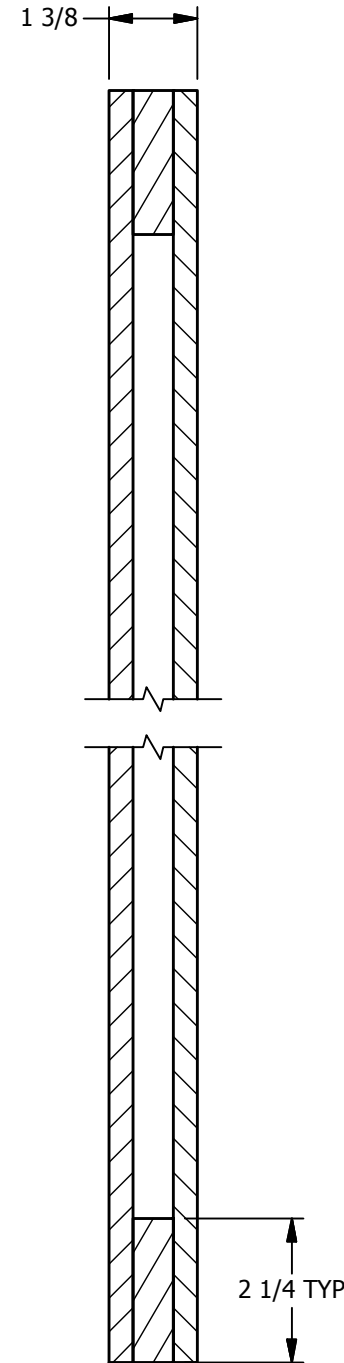
DIMENSION TABLE			
DOOR SIZE	"A"	"B"	"C"
3'-0" X 7'-0"	36"	30"	6"
2'-10" X 7'-0"	34"	28"	6"
2'-8" X 7'-0"	32"	26"	6"
2'-6" X 7'-0"	30"	24"	6"
2'-4" X 7'-0"	28"	22"	6"
2'-0" X 7'-0"	24"	18"	6"

**NOTES:**


1. DOOR THICKNESS ALSO AVAILABLE IN 1 3/4"
2. ALSO AVAILABLE WITH SOLID CORE



**DETAIL**  
FRONT ELEVATION

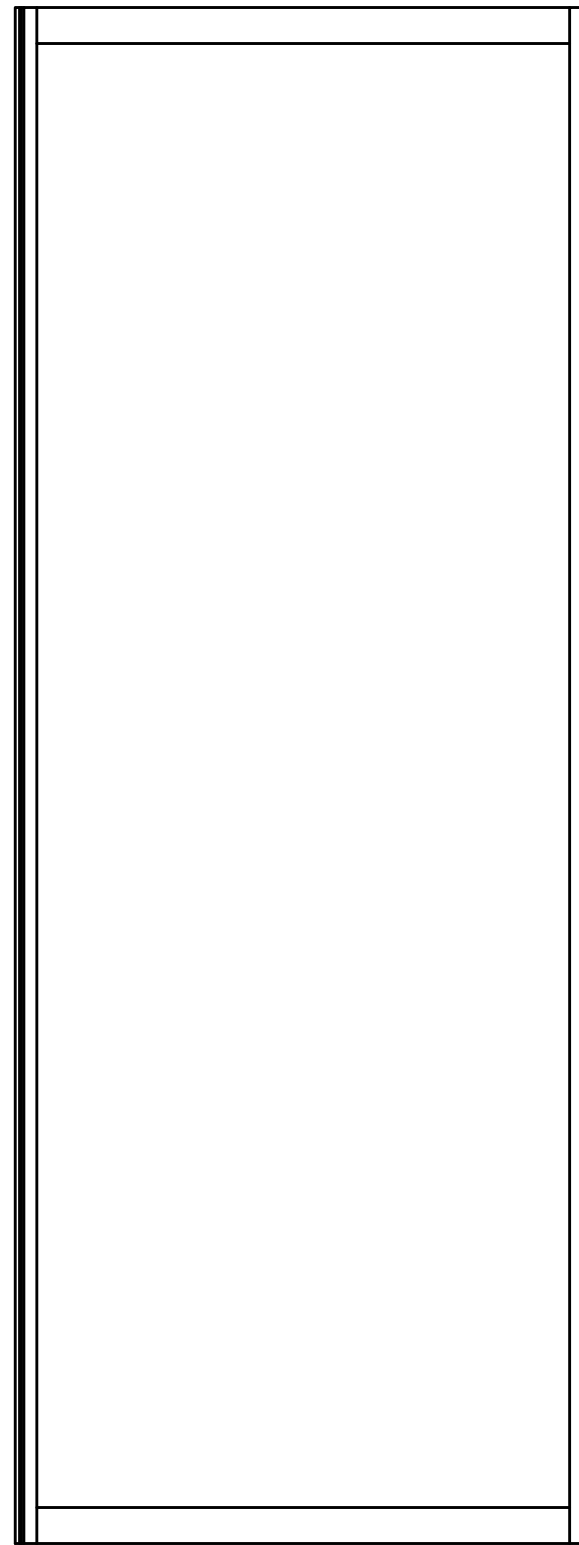
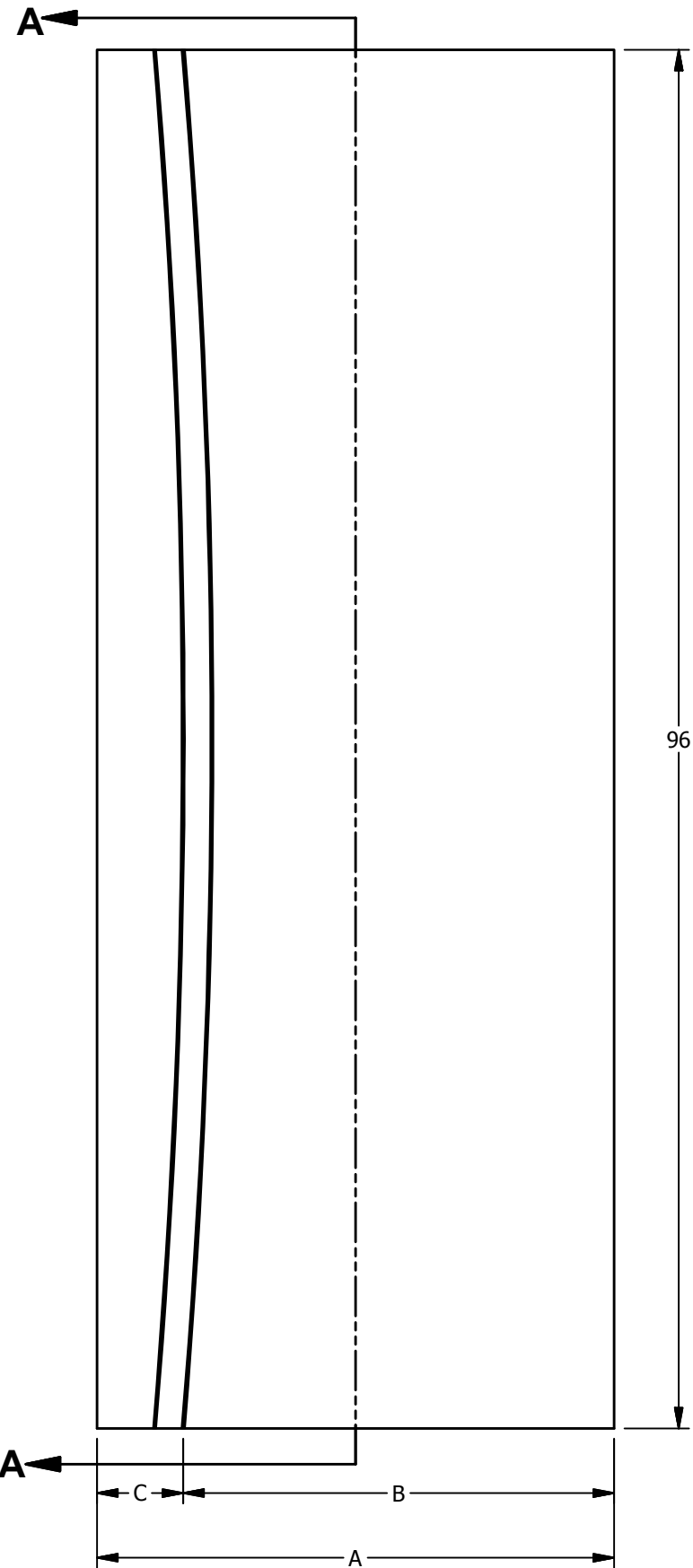


**SECTION A-A**

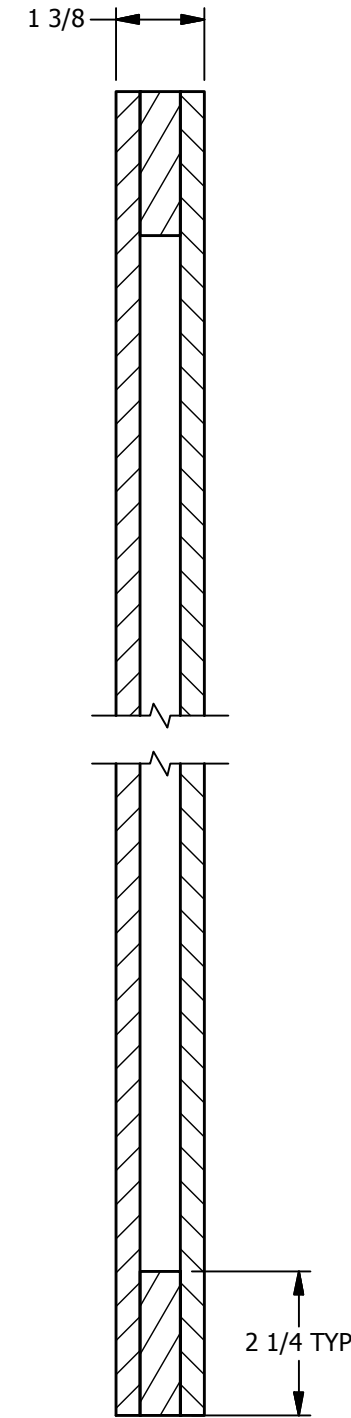
CREATION DATE: 7/12/2015		3737 Lakeport Blvd. Klamath Falls, OR 97601 Phone: (800) 441-3884 www.jeld-wen.com
REV. DATE:		
TITLE: <b>TRIA COLLECTION</b>		
DESCRIPTION: <b>C6680 7'-0"</b> 2'-0", 2'-4", 2'-6", 2'-8", 2'-10", 3'-0"		



© 2015 JELD-WEN, inc. ALL RIGHTS RESERVED.  
 NO DUPLICATION OR DISTRIBUTION PERMITTED.  
 JELD-WEN, inc. CONFIDENTIAL AND PROPRIETARY.



**DETAIL**  
FRONT ELEVATION



**SECTION A-A**

**DIMENSION TABLE**

DOOR SIZE	"A"	"B"	"C"
3'-0" X 8'-0"	36"	30"	6"
2'-10" X 8'-0"	34"	28"	6"
2'-8" X 8'-0"	32"	26"	6"
2'-6" X 8'-0"	30"	24"	6"
2'-4" X 8'-0"	28"	22"	6"
2'-0" X 8'-0"	24"	18"	6"

**NOTES:**

1. DOOR THICKNESS ALSO AVAILABLE IN 1 3/4"
2. ALSO AVAILABLE WITH SOLID CORE

CREATION DATE:  
7/12/2015  
REV. DATE:



3737 Lakeport Blvd.  
Klamath Falls, OR 97601  
Phone: (800) 441-3884  
www.jeld-wen.com

TITLE:

**TRIA COLLECTION**

DESCRIPTION:

**C6680 8'-0"**  
2'-0", 2'-4", 2'-6", 2'-8", 2'-10", 3'-0"

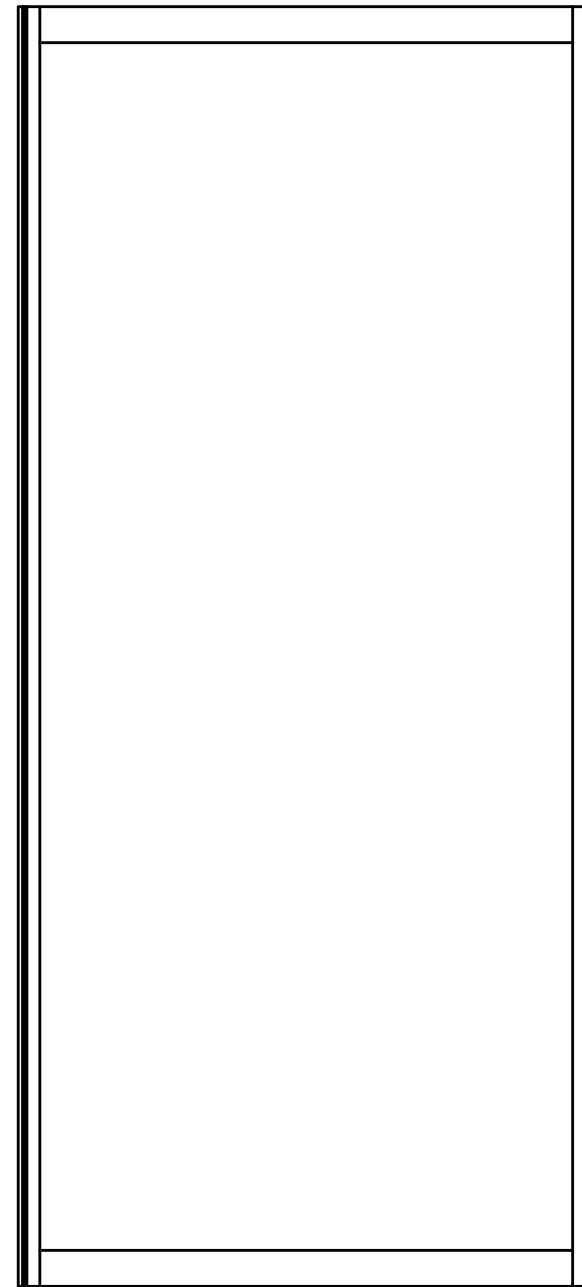
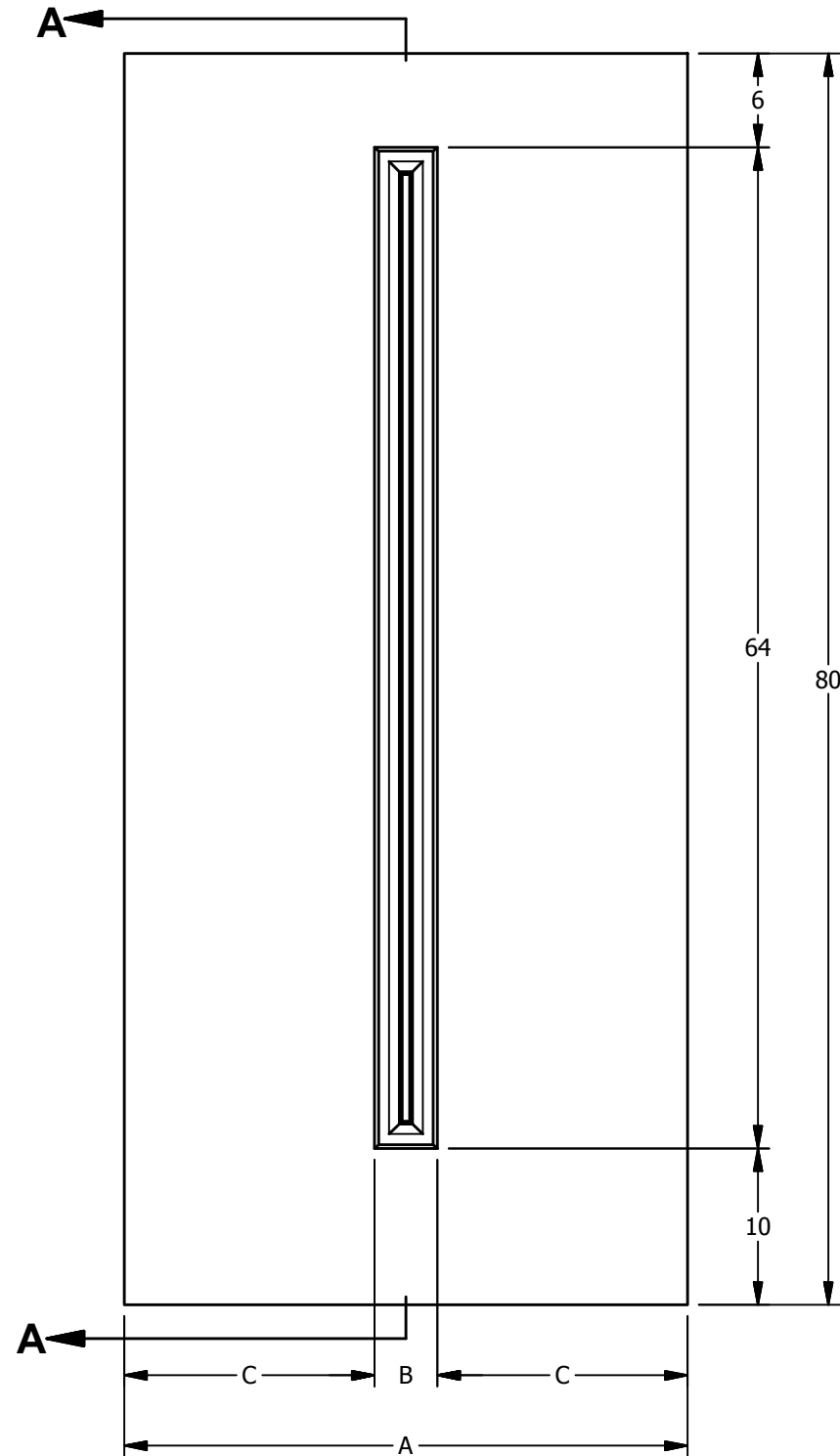
© 2015 JELD-WEN, inc. ALL RIGHTS RESERVED.  
 NO DUPLICATION OR DISTRIBUTION PERMITTED.  
 JELD-WEN, inc. CONFIDENTIAL AND PROPRIETARY.

**DIMENSION TABLE**

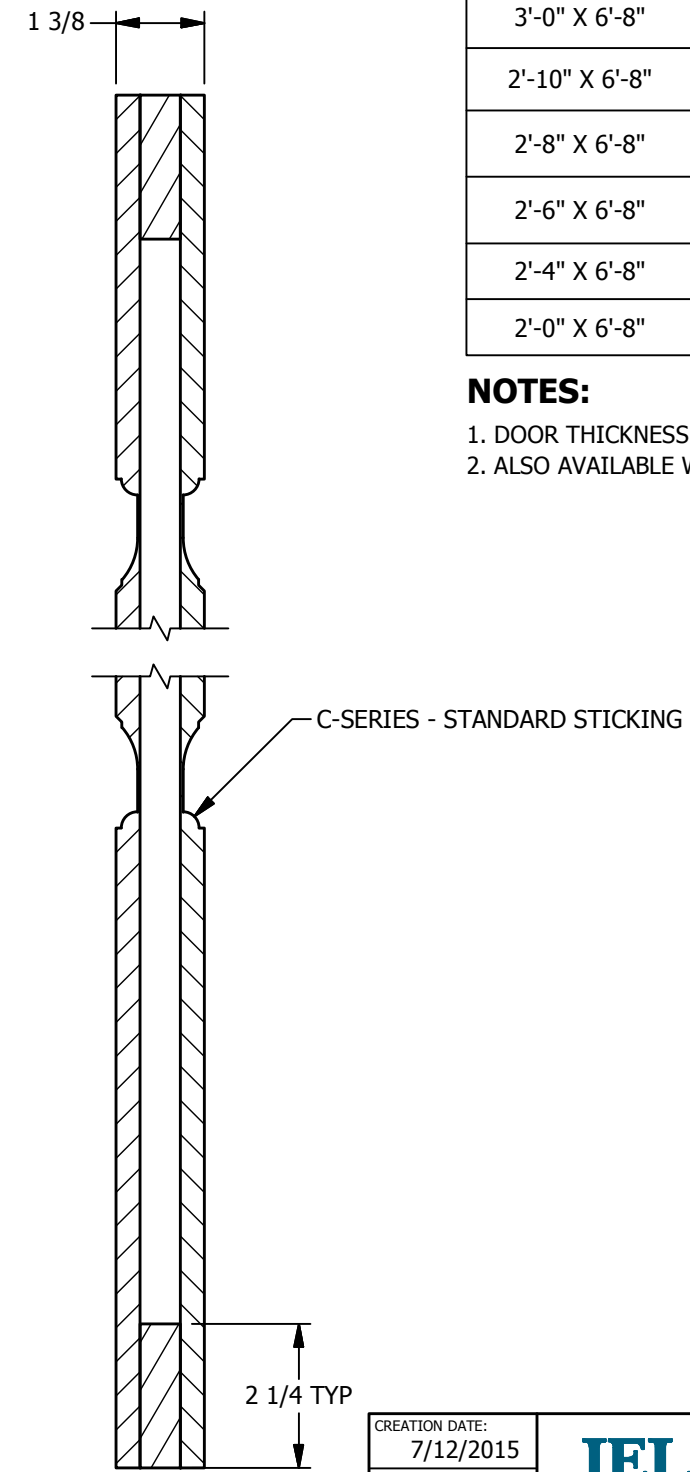
DOOR SIZE	"A"	"B"	"C"
3'-0" X 6'-8"	36"	4"	16"
2'-10" X 6'-8"	34"	4"	15"
2'-8" X 6'-8"	32"	4"	14"
2'-6" X 6'-8"	30"	4"	13"
2'-4" X 6'-8"	28"	4"	12"
2'-0" X 6'-8"	24"	4"	10"

**NOTES:**

1. DOOR THICKNESS ALSO AVAILABLE IN 1 3/4"
2. ALSO AVAILABLE WITH SOLID CORE



**DETAIL**  
FRONT ELEVATION



**SECTION A-A**

CREATION DATE:  
7/12/2015  
REV. DATE:



3737 Lakeport Blvd.  
Klamath Falls, OR 97601  
Phone: (800) 441-3884  
www.jeld-wen.com

TITLE:

**TRIA COLLECTION**

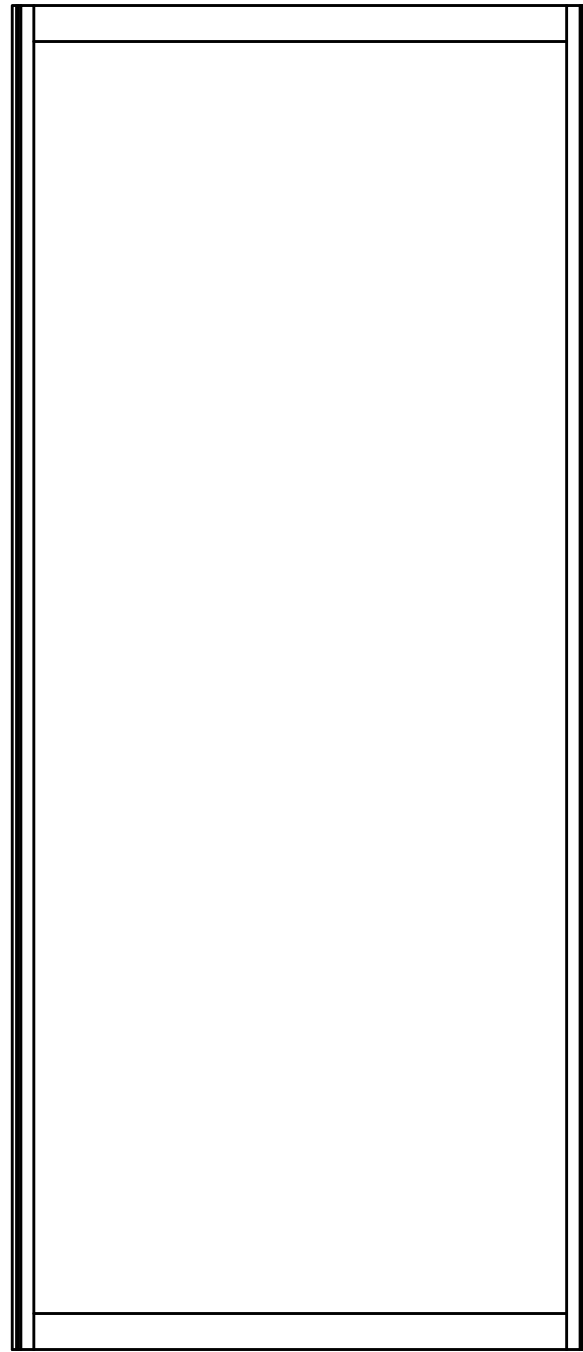
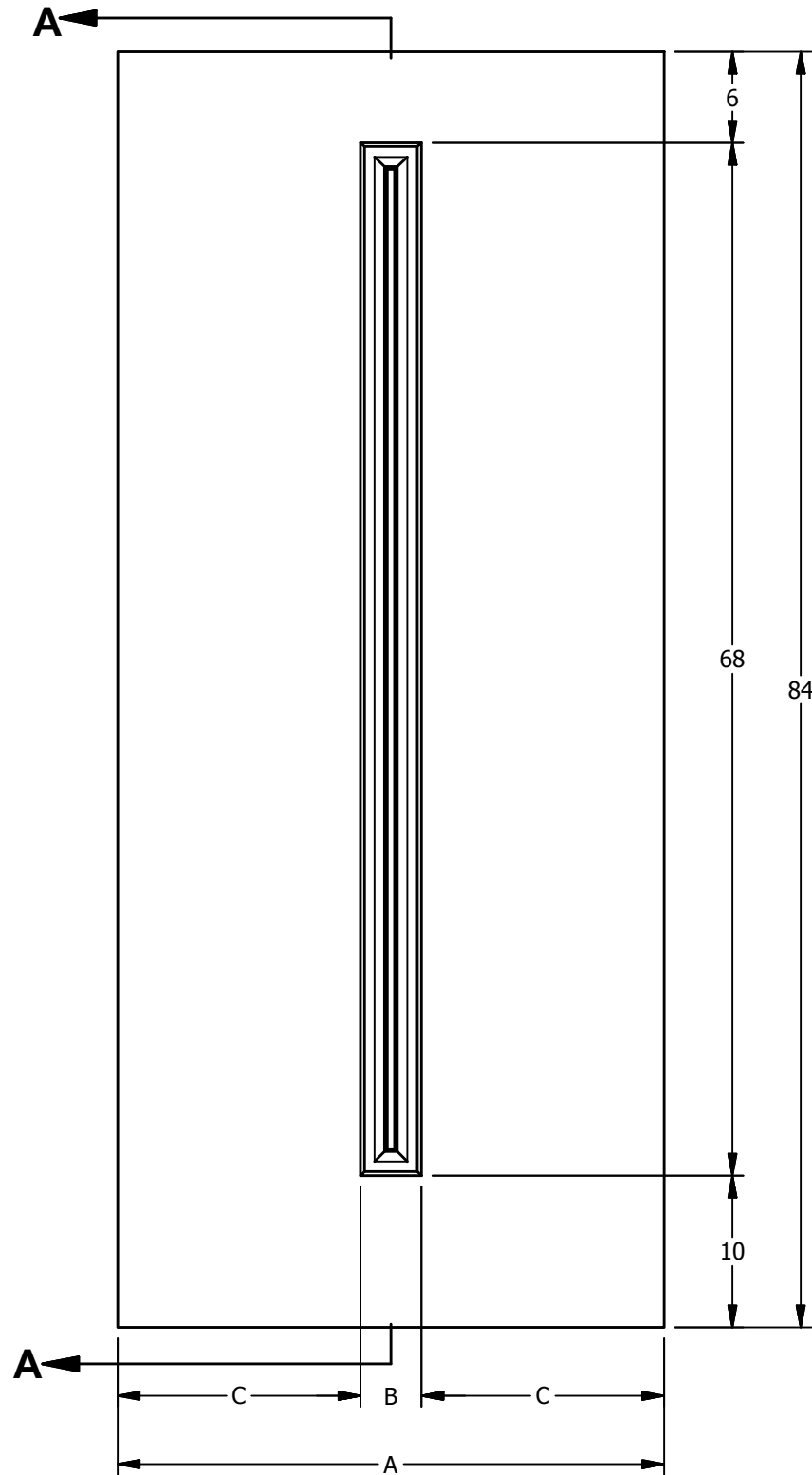
DESCRIPTION:

**C6700 6'-8"**  
2'-0", 2'-4", 2'-6", 2'-8", 2'-10", 3'-0"

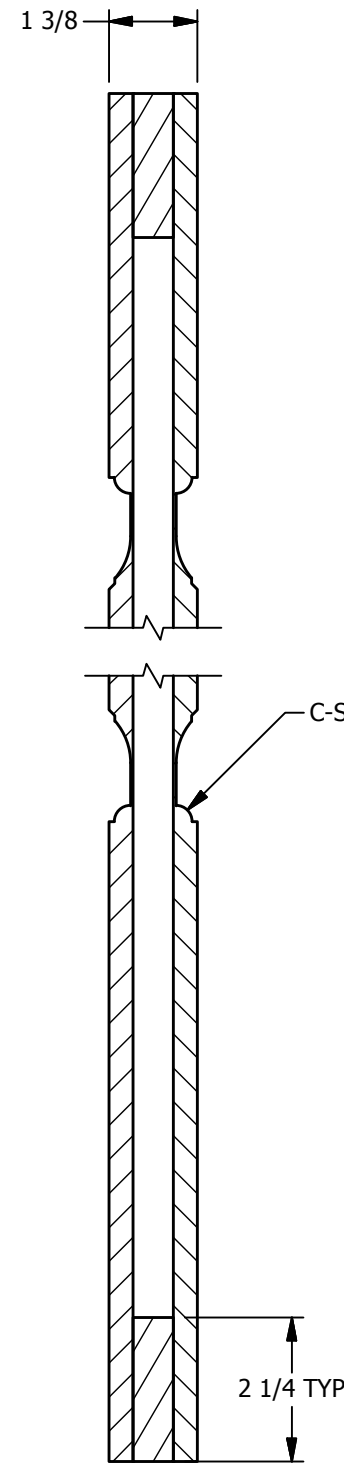
DIMENSION TABLE			
DOOR SIZE	"A"	"B"	"C"
3'-0" X 7'-0"	36"	4"	16"
2'-10" X 7'-0"	34"	4"	15"
2'-8" X 7'-0"	32"	4"	14"
2'-6" X 7'-0"	30"	4"	13"
2'-4" X 7'-0"	28"	4"	12"
2'-0" X 7'-0"	24"	4"	10"

**NOTES:**

1. DOOR THICKNESS ALSO AVAILABLE IN 1<sup>3</sup>/<sub>4</sub>"
2. ALSO AVAILABLE WITH SOLID CORE



**DETAIL**  
FRONT ELEVATION



**SECTION A-A**

CREATION DATE:  
7/12/2015  
REV. DATE:



3737 Lakeport Blvd.  
 Klamath Falls, OR 97601  
 Phone: (800) 441-3884  
 www.jeld-wen.com

TITLE:

**TRIA COLLECTION**

DESCRIPTION:

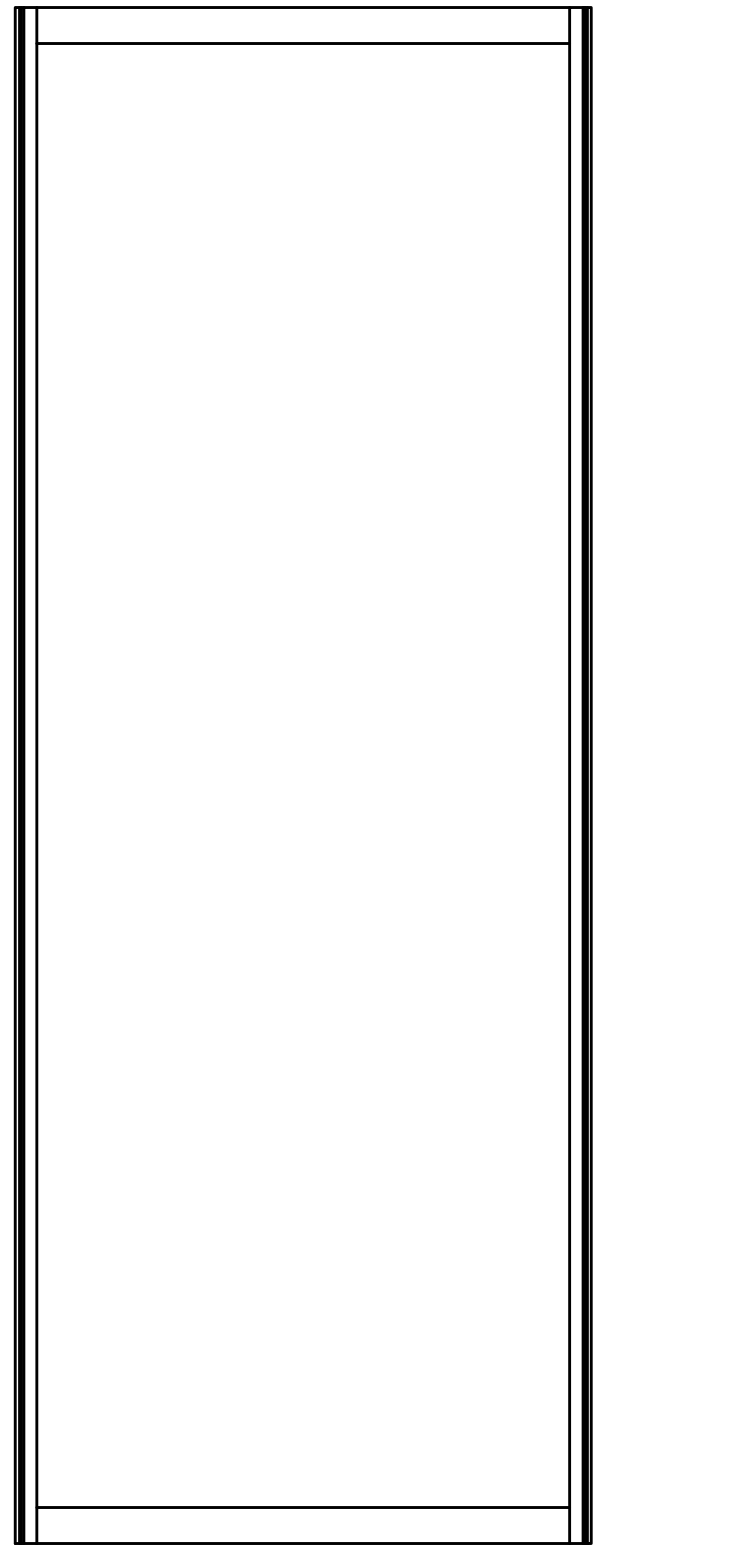
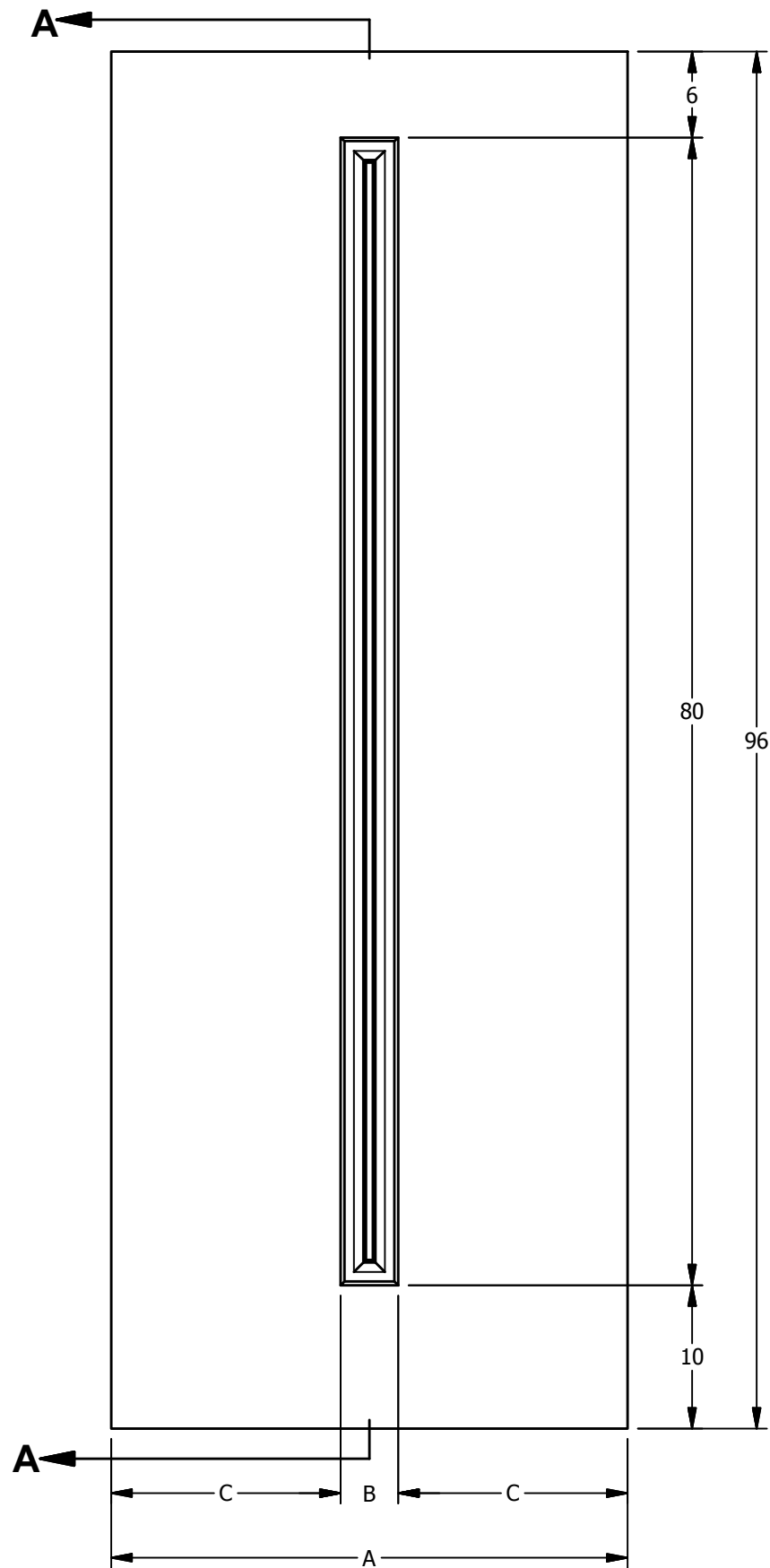
**C6700 7'-0"**  
 2'-0", 2'-4", 2'-6", 2'-8", 2'-10", 3'-0"

© 2015 JELD-WEN, inc. ALL RIGHTS RESERVED.  
 NO DUPLICATION OR DISTRIBUTION PERMITTED.  
 JELD-WEN, inc. CONFIDENTIAL AND PROPRIETARY.

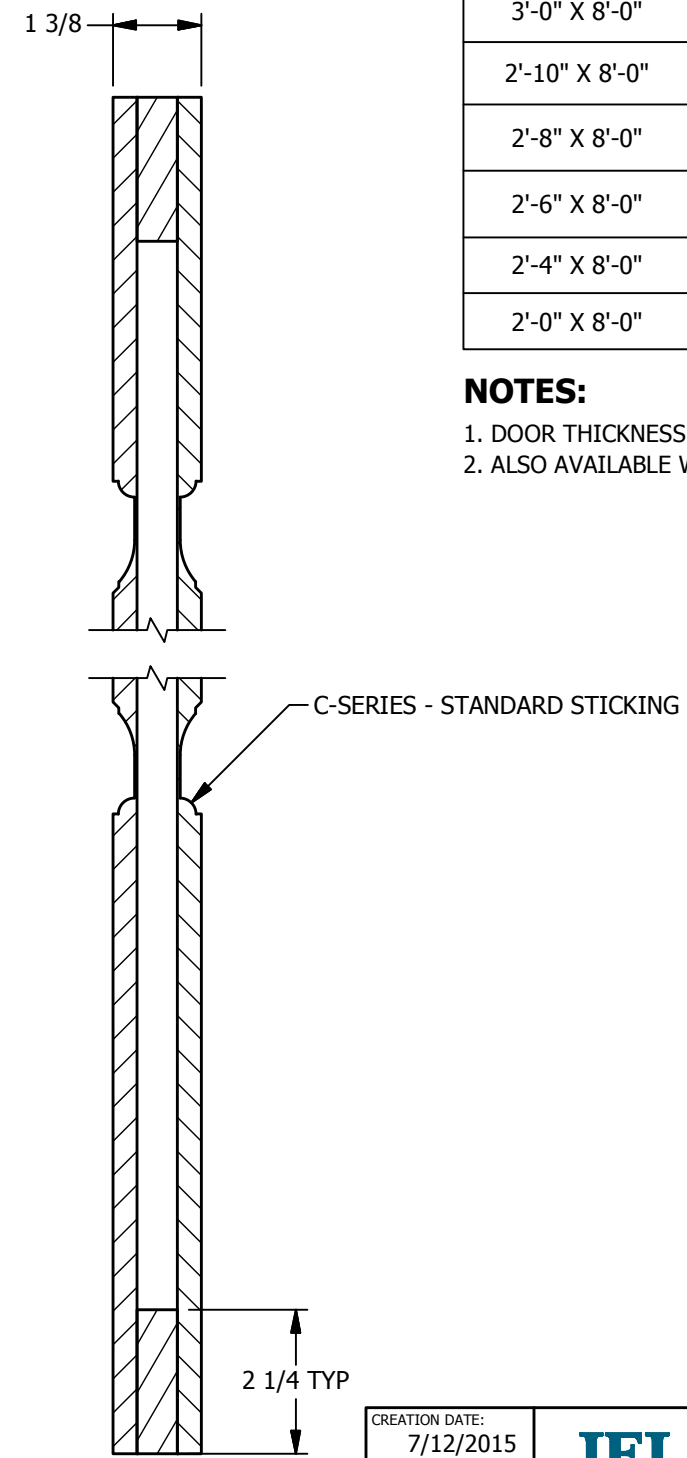
DIMENSION TABLE			
DOOR SIZE	"A"	"B"	"C"
3'-0" X 8'-0"	36"	4"	16"
2'-10" X 8'-0"	34"	4"	15"
2'-8" X 8'-0"	32"	4"	14"
2'-6" X 8'-0"	30"	4"	13"
2'-4" X 8'-0"	28"	4"	12"
2'-0" X 8'-0"	24"	4"	10"

**NOTES:**

1. DOOR THICKNESS ALSO AVAILABLE IN 1<sup>3</sup>/<sub>4</sub>"
2. ALSO AVAILABLE WITH SOLID CORE



**DETAIL**  
FRONT ELEVATION



**SECTION A-A**

CREATION DATE:  
7/12/2015  
REV. DATE:



3737 Lakeport Blvd.  
Klamath Falls, OR 97601  
Phone: (800) 441-3884  
www.jeld-wen.com

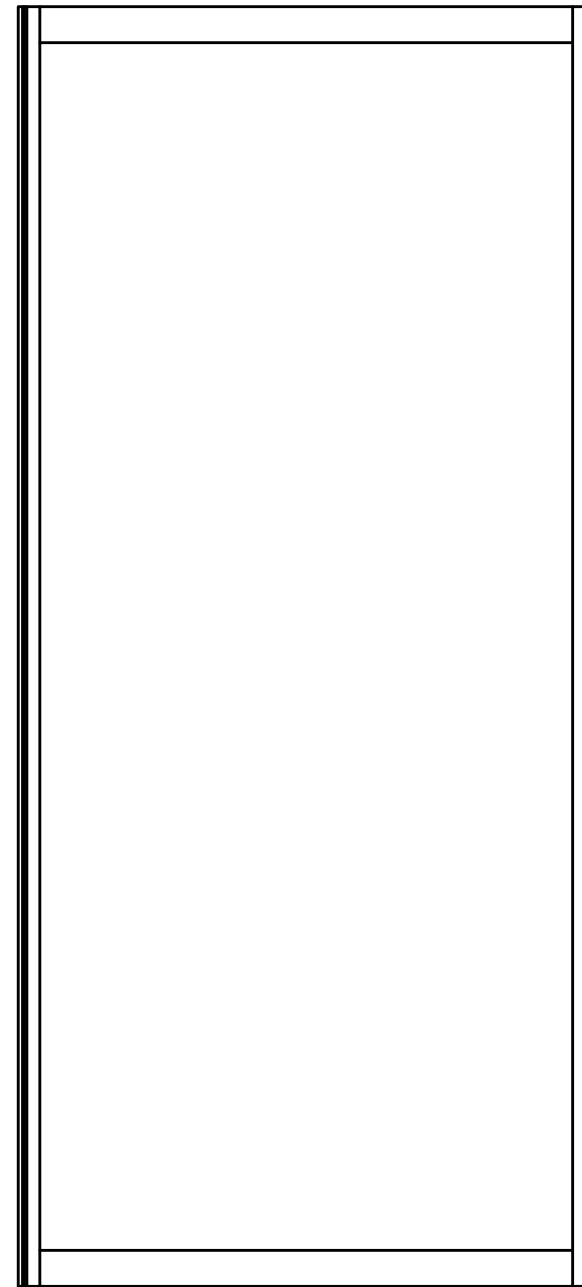
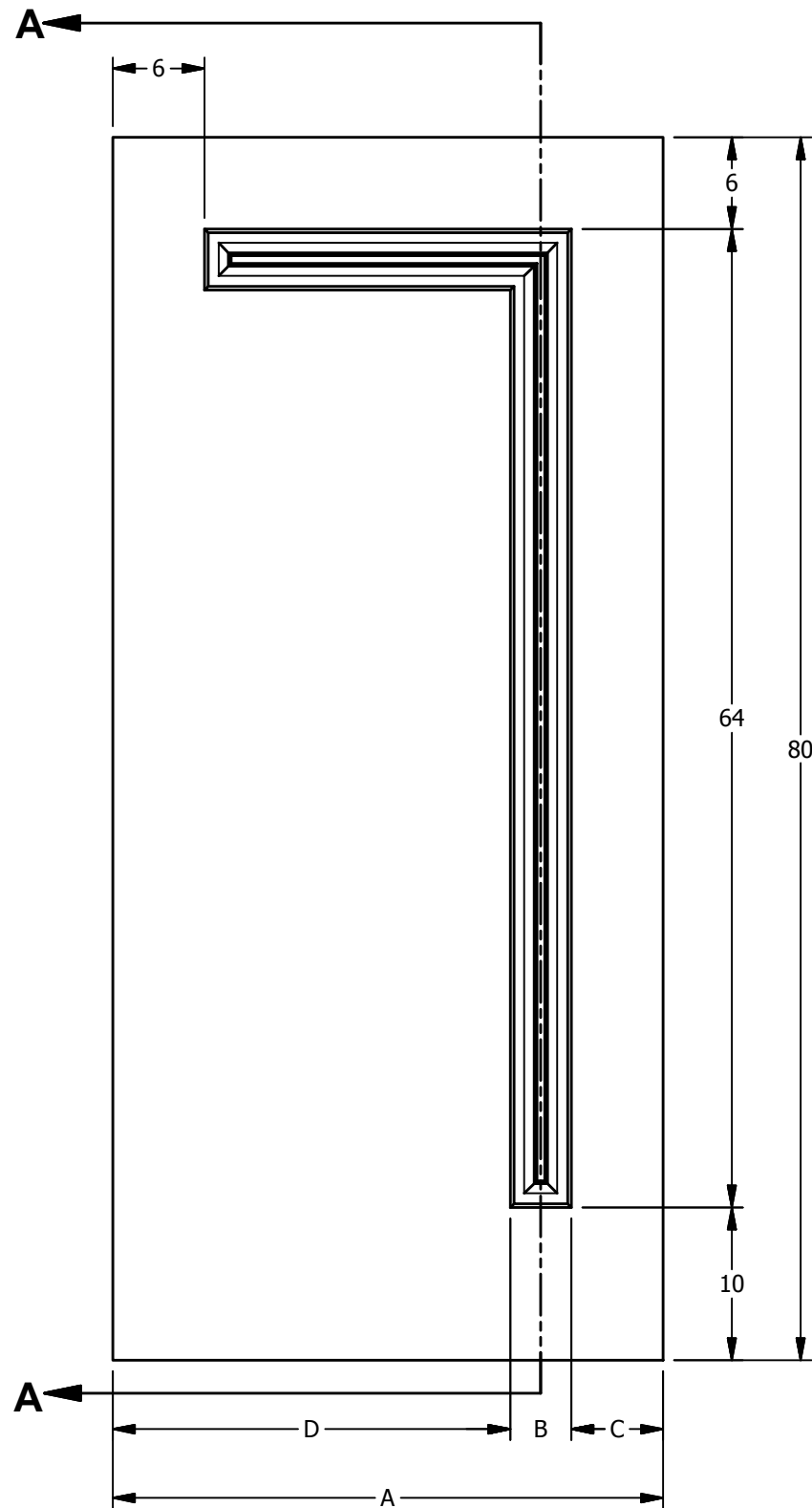
TITLE:

**TRIA COLLECTION**

DESCRIPTION:

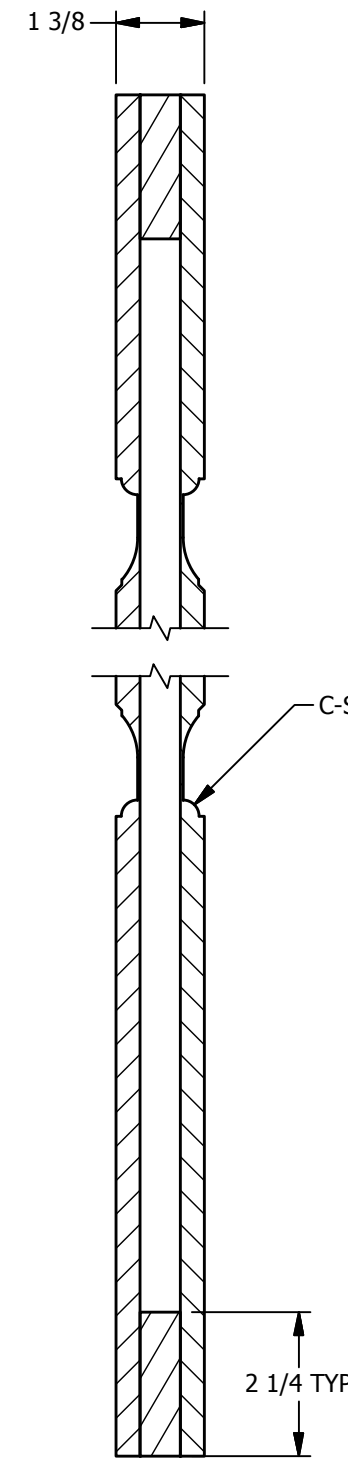
**C6700 8'-0"**  
2'-0", 2'-4", 2'-6", 2'-8", 2'-10", 3'-0"

© 2015 JELD-WEN, inc. ALL RIGHTS RESERVED.  
 NO DUPLICATION OR DISTRIBUTION PERMITTED.  
 JELD-WEN, inc. CONFIDENTIAL AND PROPRIETARY.



**DETAIL**  
FRONT ELEVATION

1 3/8 TYP



**SECTION A-A**

C-SERIES - STANDARD STICKING

**DIMENSION TABLE**

DOOR SIZE	"A"	"B"	"C"	"D"
3'-0" X 6'-8"	36"	4"	6"	26"
2'-10" X 6'-8"	34"	4"	6"	24"
2'-8" X 6'-8"	32"	4"	6"	22"
2'-6" X 6'-8"	30"	4"	6"	20"
2'-4" X 6'-8"	28"	4"	6"	18"
2'-0" X 6'-8"	24"	4"	6"	14"

**NOTES:**

1. DOOR THICKNESS ALSO AVAILABLE IN 1 3/4"
2. ALSO AVAILABLE WITH SOLID CORE

CREATION DATE:  
7/12/2015  
REV. DATE:



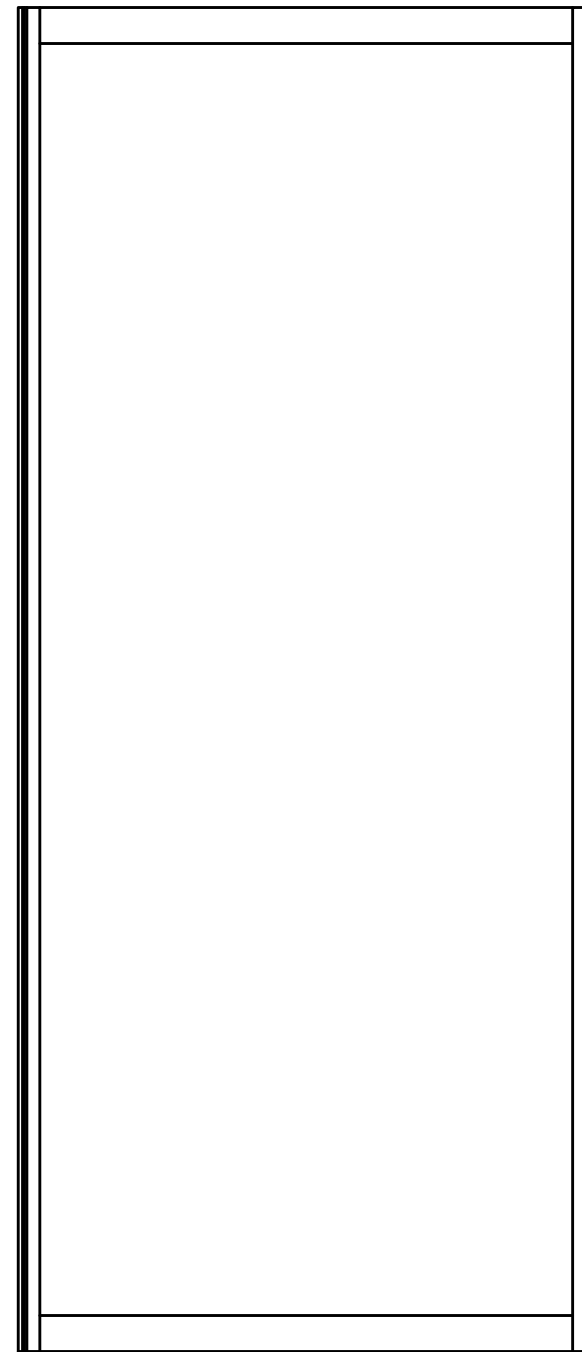
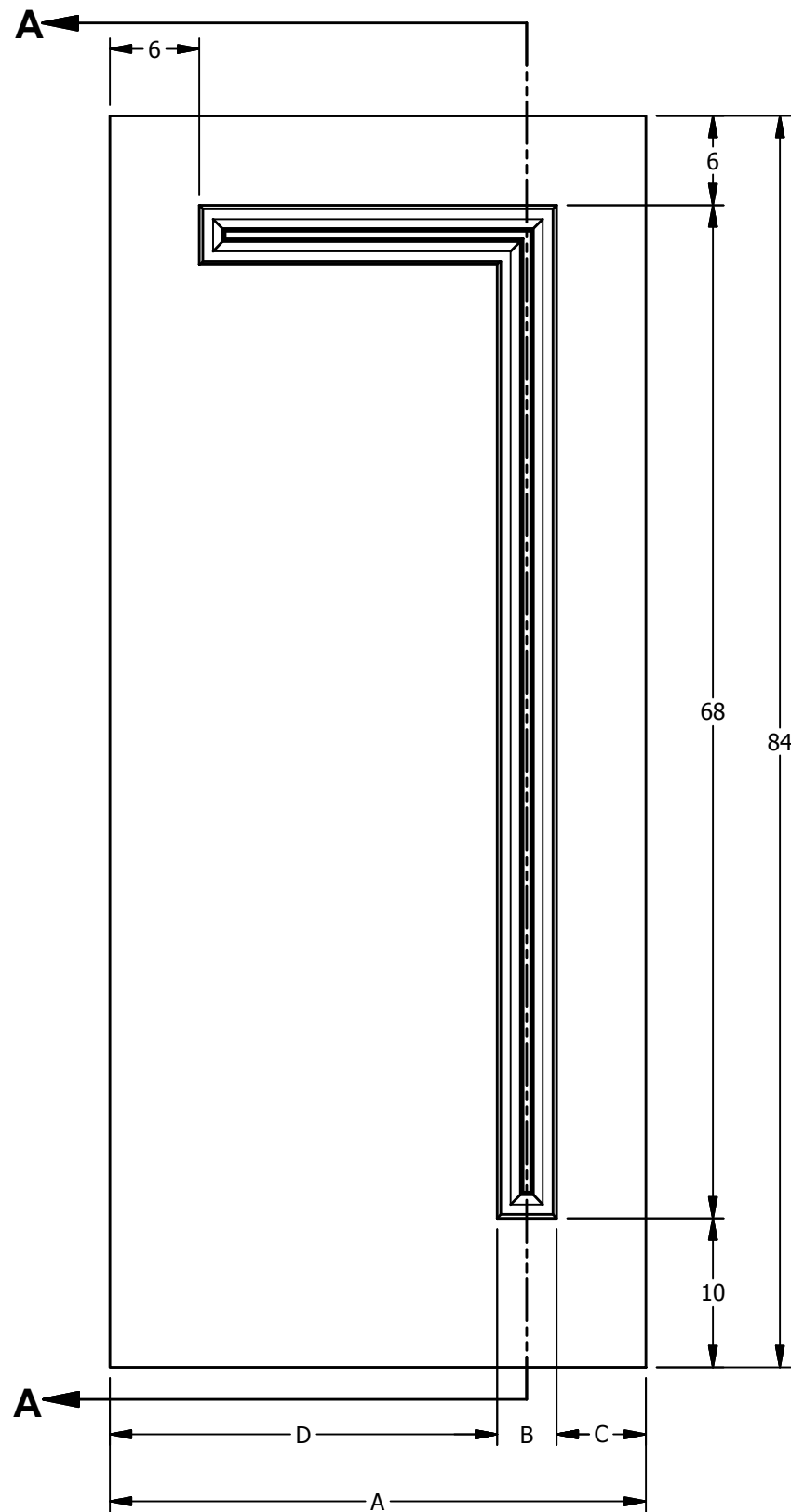
3737 Lakeport Blvd.  
 Klamath Falls, OR 97601  
 Phone: (800) 441-3884  
 www.jeld-wen.com

TITLE:

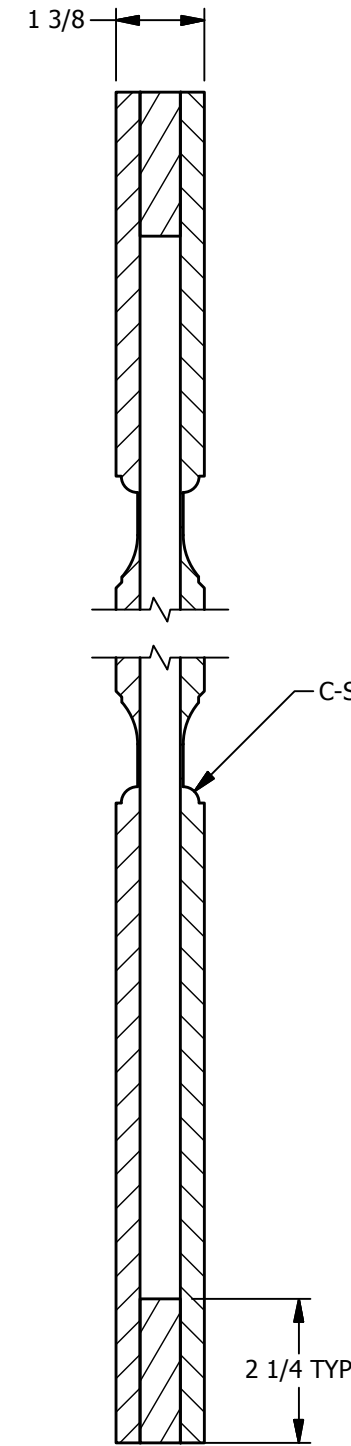
**TRIA COLLECTION**

DESCRIPTION:

**C6720 6'-8"**  
 2'-0", 2'-4", 2'-6", 2'-8", 2'-10", 3'-0"



**DETAIL**  
FRONT ELEVATION



**SECTION A-A**

**DIMENSION TABLE**

DOOR SIZE	"A"	"B"	"C"	"D"
3'-0" X 7'-0"	36"	4"	6"	26"
2'-10" X 7'-0"	34"	4"	6"	24"
2'-8" X 7'-0"	32"	4"	6"	22"
2'-6" X 7'-0"	30"	4"	6"	20"
2'-4" X 7'-0"	28"	4"	6"	18"
2'-0" X 7'-0"	24"	4"	6"	14"

**NOTES:**

1. DOOR THICKNESS ALSO AVAILABLE IN 1 3/4"
2. ALSO AVAILABLE WITH SOLID CORE

CREATION DATE:  
7/12/2015  
REV. DATE:



3737 Lakeport Blvd.  
Klamath Falls, OR 97601  
Phone: (800) 441-3884  
www.jeld-wen.com

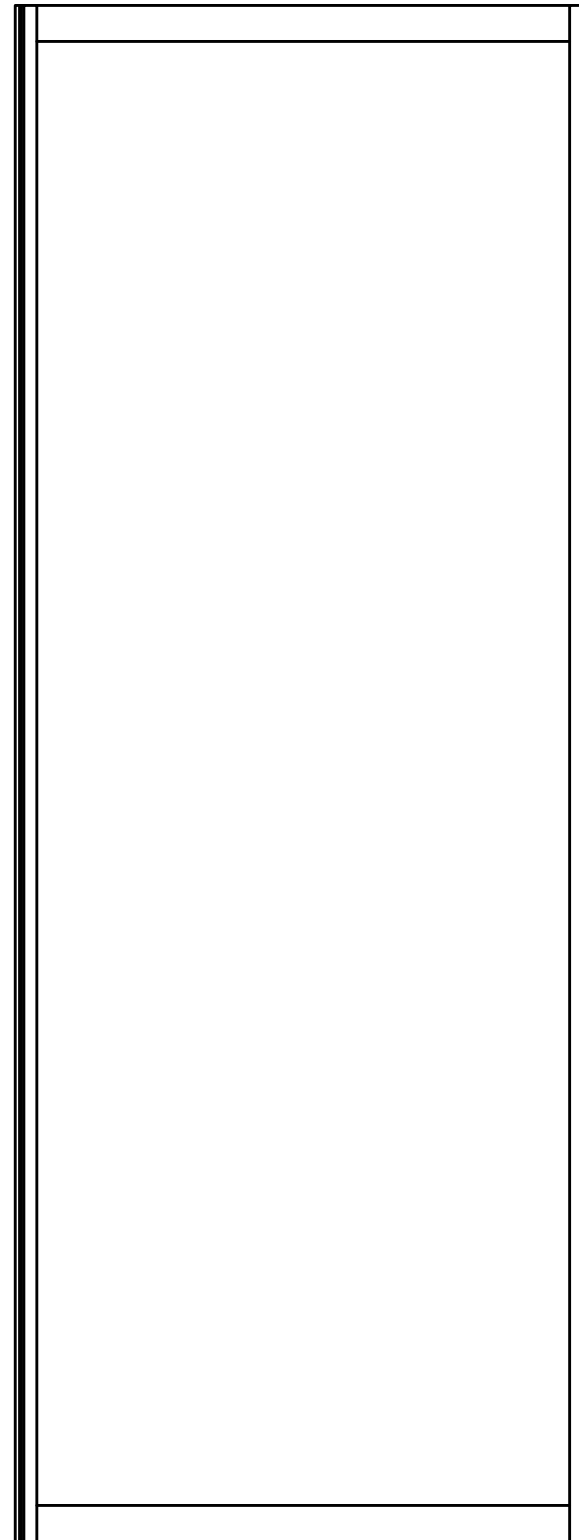
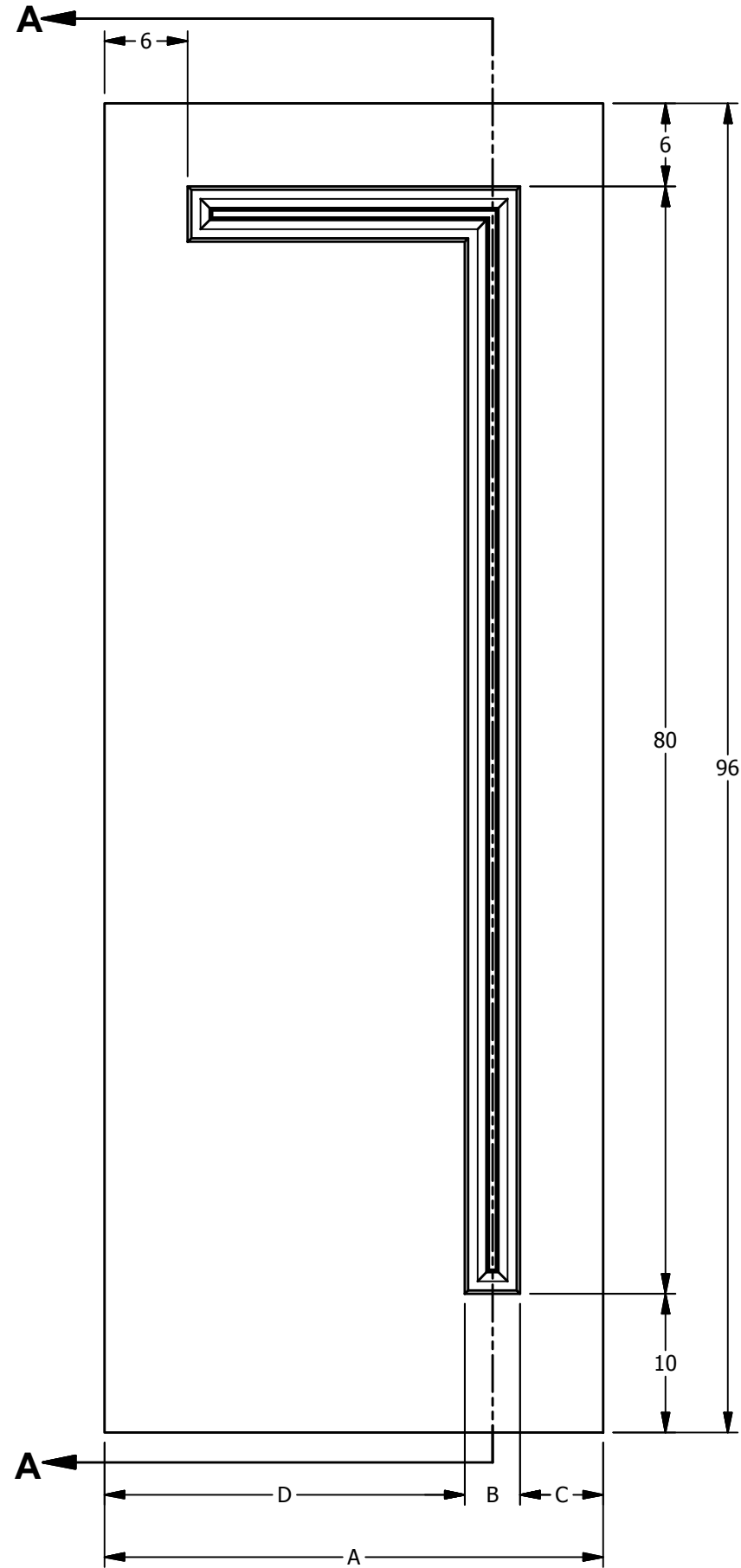
TITLE:

**TRIA COLLECTION**

DESCRIPTION:

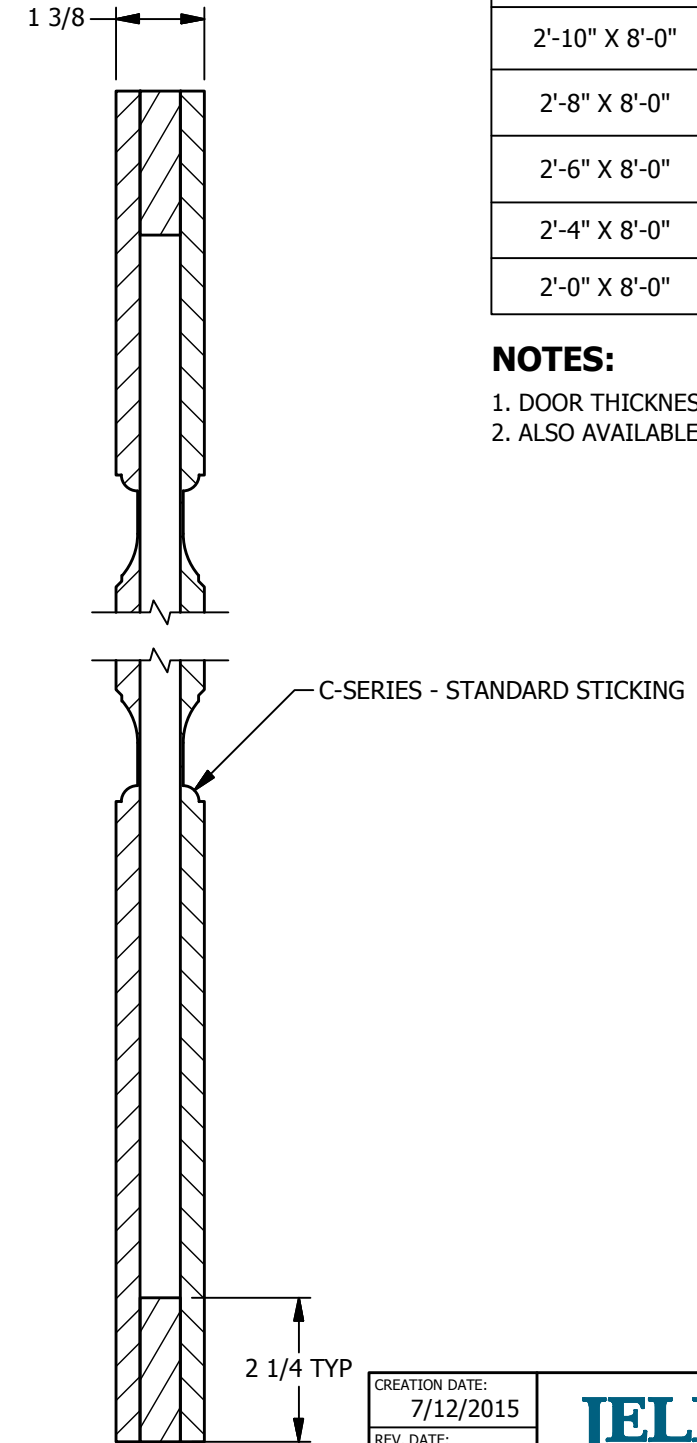
**C6720 7'-0"**  
2'-0", 2'-4", 2'-6", 2'-8", 2'-10", 3'-0"

© 2015 JELD-WEN, inc. ALL RIGHTS RESERVED.  
 NO DUPLICATION OR DISTRIBUTION PERMITTED.  
 JELD-WEN, inc. CONFIDENTIAL AND PROPRIETARY.



**DETAIL**  
FRONT ELEVATION

1 3/8 TYP



**SECTION A-A**

**DIMENSION TABLE**

DOOR SIZE	"A"	"B"	"C"	"D"
3'-0" X 8'-0"	36"	4"	6"	26"
2'-10" X 8'-0"	34"	4"	6"	24"
2'-8" X 8'-0"	32"	4"	6"	22"
2'-6" X 8'-0"	30"	4"	6"	20"
2'-4" X 8'-0"	28"	4"	6"	18"
2'-0" X 8'-0"	24"	4"	6"	14"

**NOTES:**

1. DOOR THICKNESS ALSO AVAILABLE IN 1 3/4"
2. ALSO AVAILABLE WITH SOLID CORE

CREATION DATE:  
7/12/2015  
REV. DATE:



3737 Lakeport Blvd.  
 Klamath Falls, OR 97601  
 Phone: (800) 441-3884  
 www.jeld-wen.com

TITLE:

**TRIA COLLECTION**

DESCRIPTION:

**C6720 8'-0"**  
 2'-0", 2'-4", 2'-6", 2'-8", 2'-10", 3'-0"

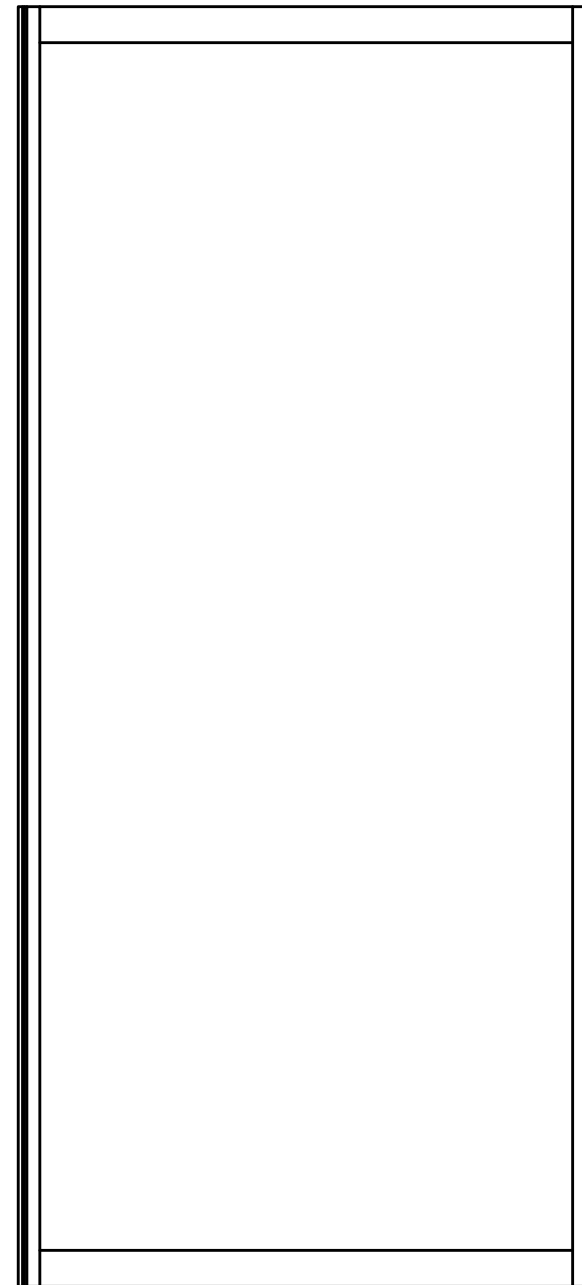
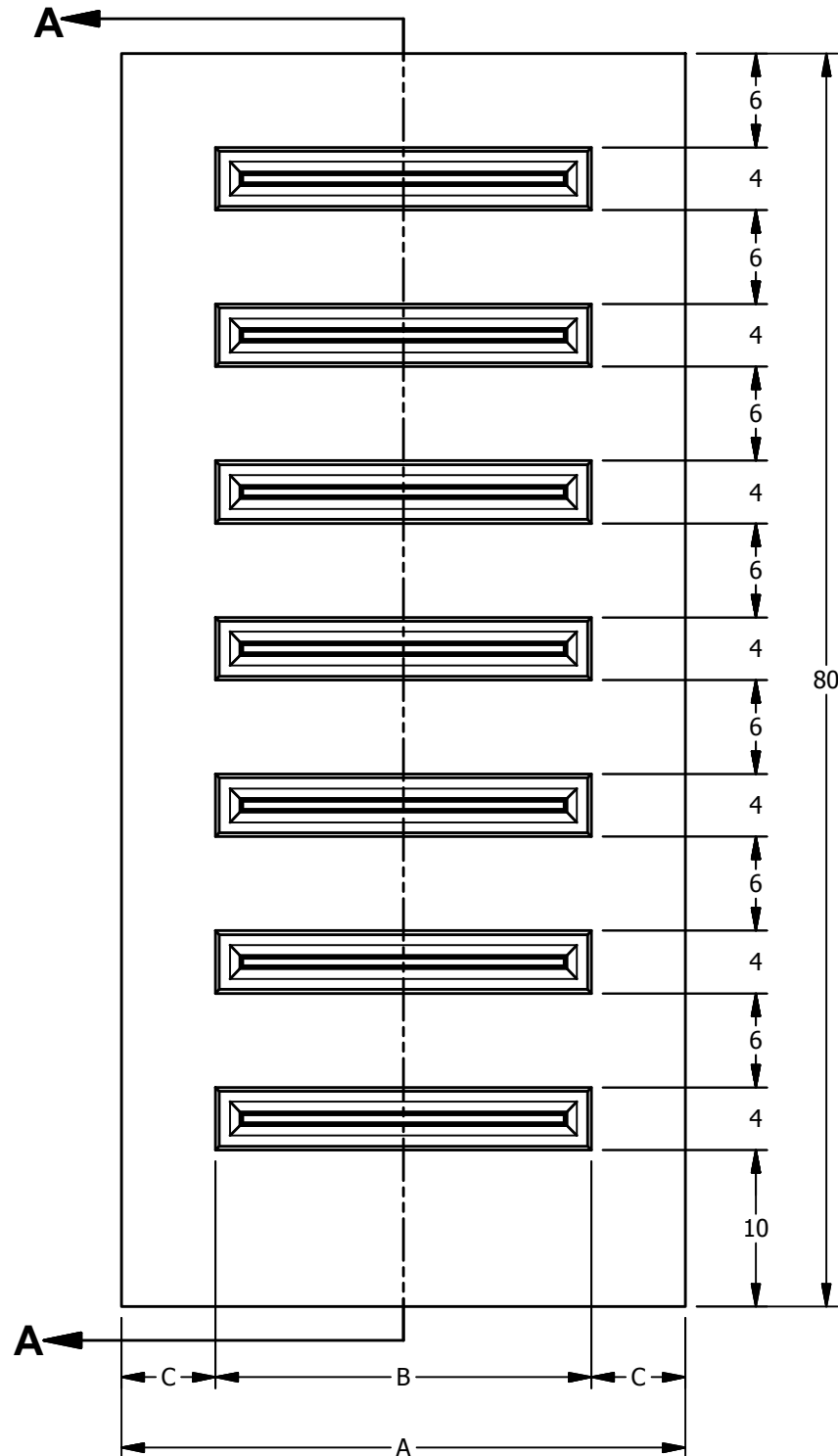
© 2015 JELD-WEN, inc. ALL RIGHTS RESERVED.  
 NO DUPLICATION OR DISTRIBUTION PERMITTED.  
 JELD-WEN, inc. CONFIDENTIAL AND PROPRIETARY.

**DIMENSION TABLE**

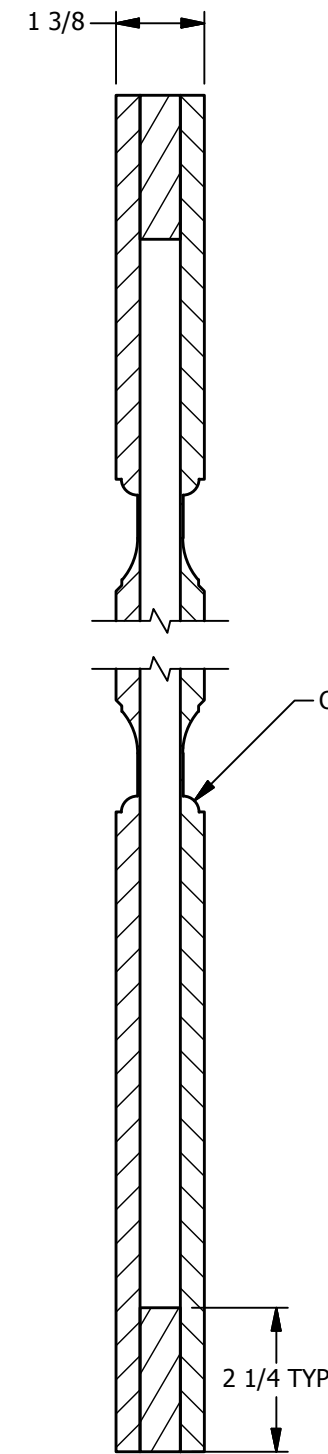
DOOR SIZE	"A"	"B"	"C"
3'-0" X 6'-8"	36"	24"	6"
2'-10" X 6'-8"	34"	22"	6"
2'-8" X 6'-8"	32"	20"	6"
2'-6" X 6'-8"	30"	18"	6"
2'-4" X 6'-8"	28"	16"	6"
2'-0" X 6'-8"	24"	14"	6"

**NOTES:**

1. DOOR THICKNESS ALSO AVAILABLE IN 1 3/4"
2. ALSO AVAILABLE WITH SOLID CORE



**DETAIL**  
FRONT ELEVATION



**SECTION A-A**

CREATION DATE:  
7/12/2015  
REV. DATE:



3737 Lakeport Blvd.  
 Klamath Falls, OR 97601  
 Phone: (800) 441-3884  
 www.jeld-wen.com

TITLE:

**TRIA COLLECTION**

DESCRIPTION:

**C6730 6'-8"**  
 2'-0", 2'-4", 2'-6", 2'-8", 2'-10", 3'-0"

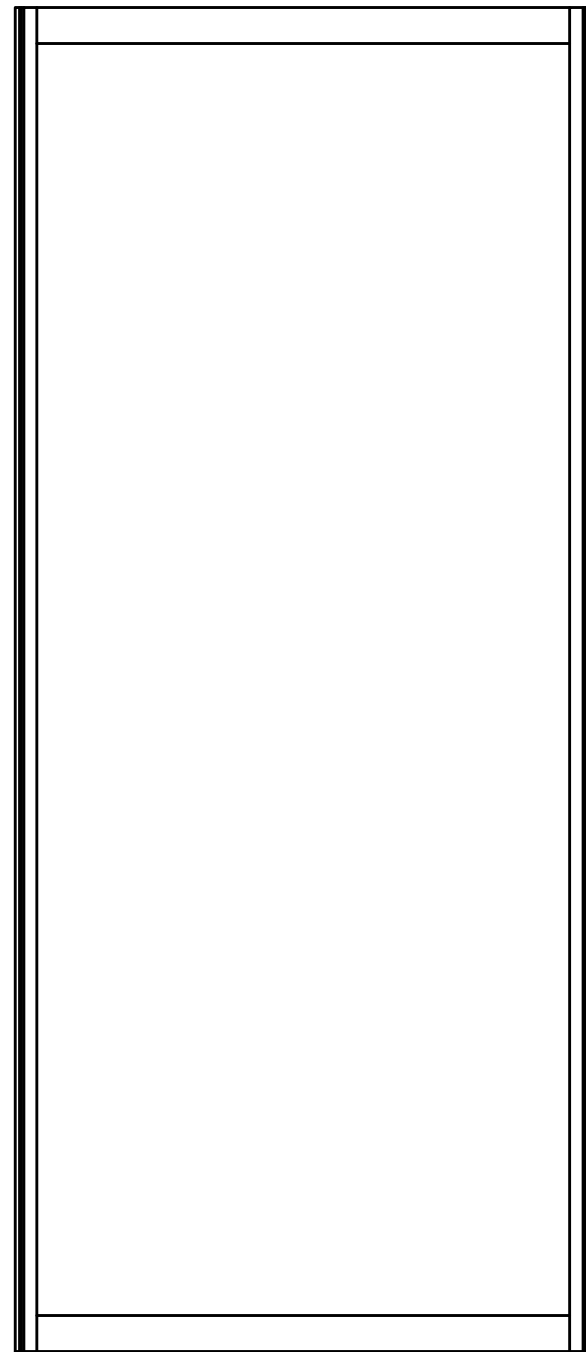
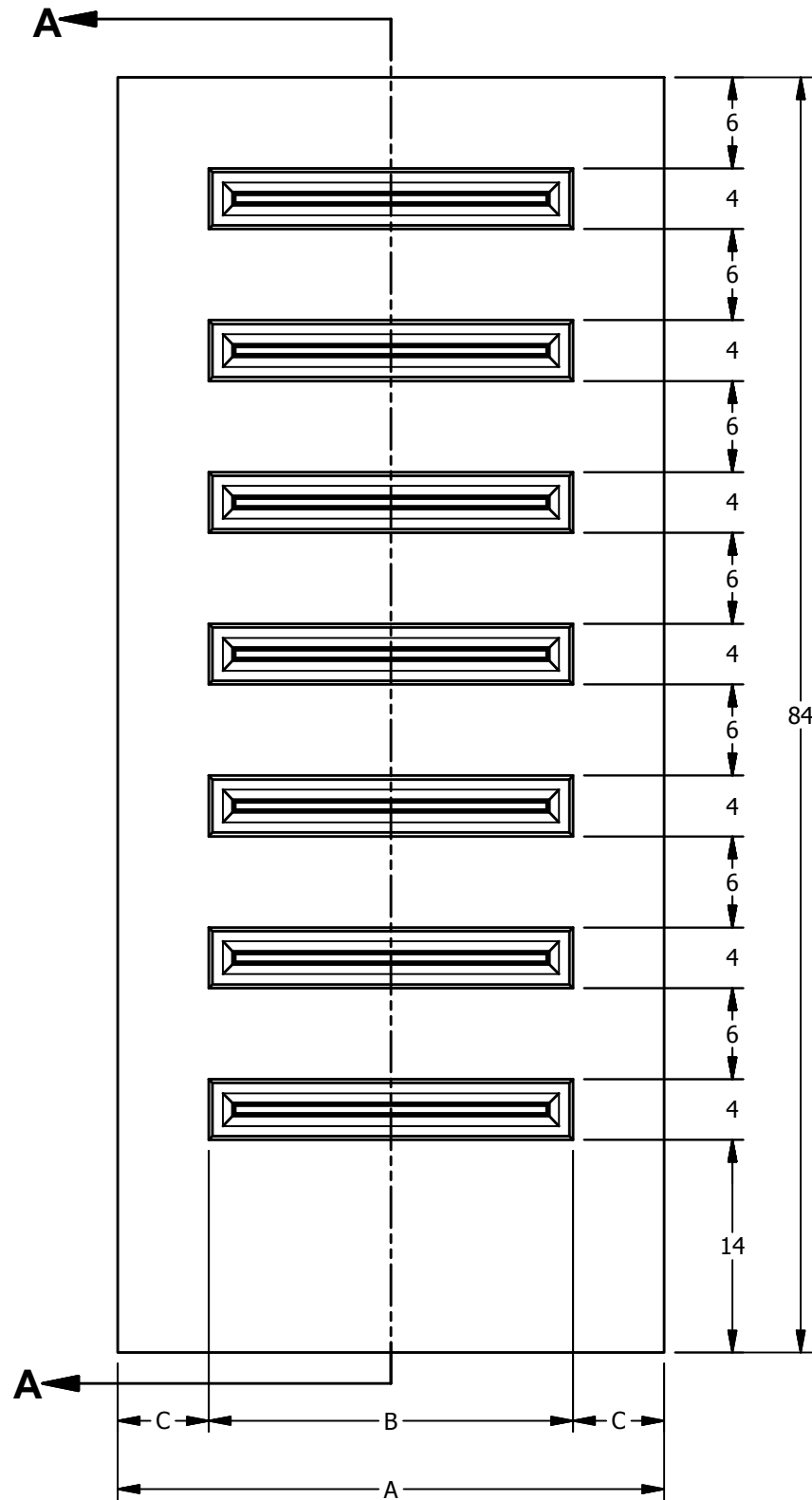


© 2015 JELD-WEN, inc. ALL RIGHTS RESERVED.  
 NO DUPLICATION OR DISTRIBUTION PERMITTED.  
 JELD-WEN, inc. CONFIDENTIAL AND PROPRIETARY.

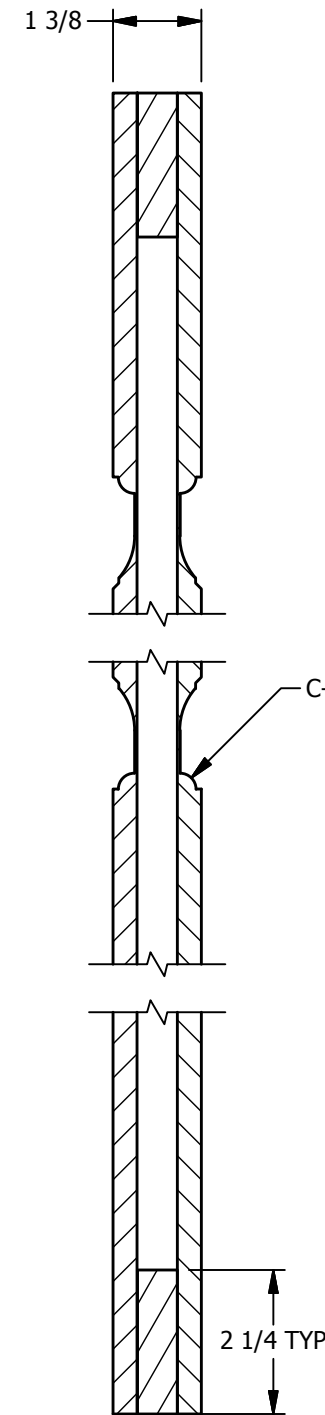
DIMENSION TABLE			
DOOR SIZE	"A"	"B"	"C"
3'-0" X 7'-0"	36"	24"	6"
2'-10" X 7'-0"	34"	22"	6"
2'-8" X 7'-0"	32"	20"	6"
2'-6" X 7'-0"	30"	18"	6"
2'-4" X 7'-0"	28"	16"	6"
2'-0" X 7'-0"	24"	14"	6"

**NOTES:**

1. DOOR THICKNESS ALSO AVAILABLE IN 1<sup>3</sup>/<sub>4</sub>"
2. ALSO AVAILABLE WITH SOLID CORE



**DETAIL**  
FRONT ELEVATION



**SECTION A-A**

CREATION DATE:  
7/12/2015  
REV. DATE:



3737 Lakeport Blvd.  
 Klamath Falls, OR 97601  
 Phone: (800) 441-3884  
 www.jeld-wen.com

TITLE:

**TRIA COLLECTION**

DESCRIPTION:

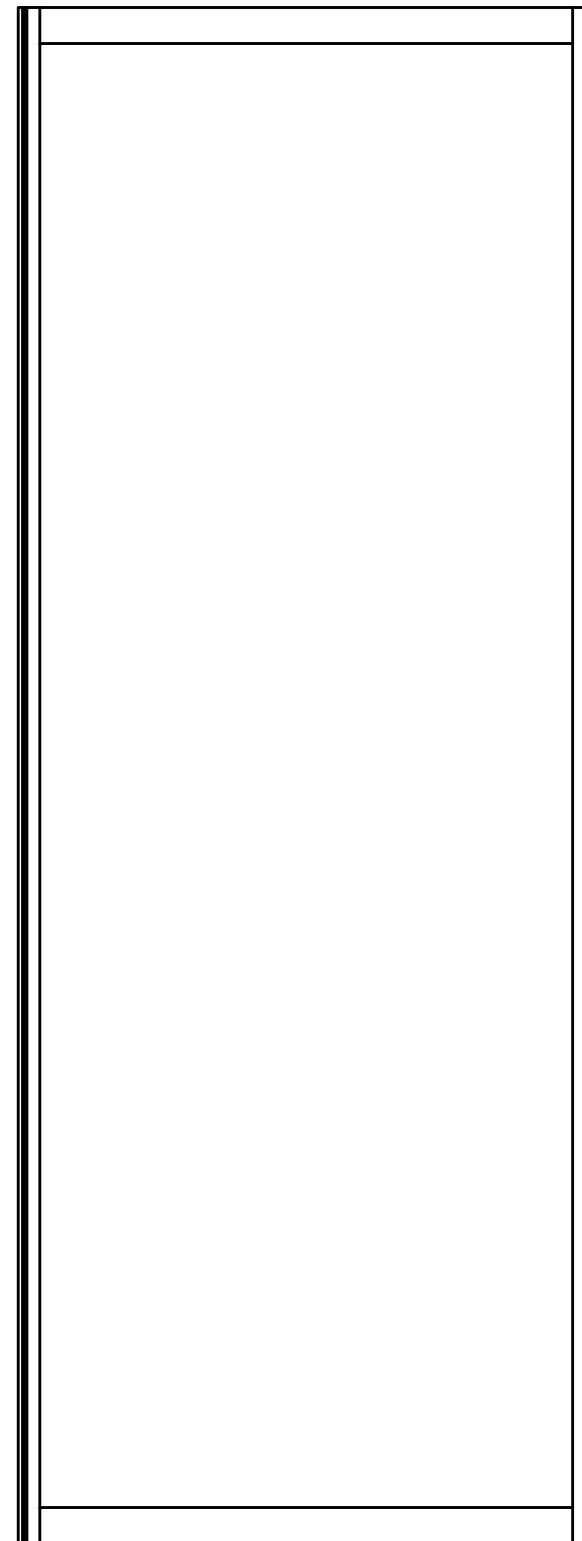
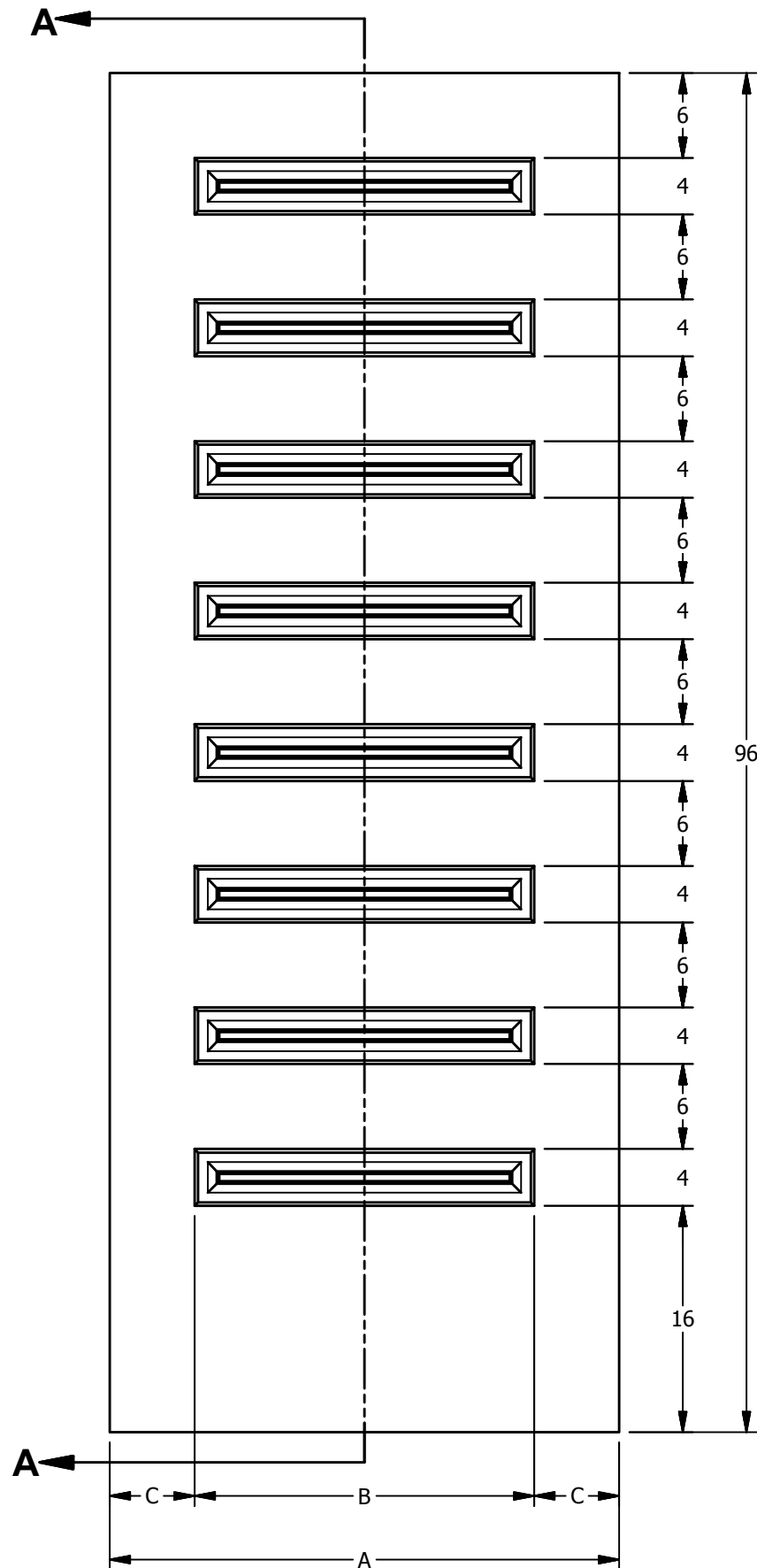
**C6730 7'-0"**  
 2'-0", 2'-4", 2'-6", 2'-8", 2'-10", 3'-0"

© 2015 JELD-WEN, inc. ALL RIGHTS RESERVED.  
 NO DUPLICATION OR DISTRIBUTION PERMITTED.  
 JELD-WEN, inc. CONFIDENTIAL AND PROPRIETARY.

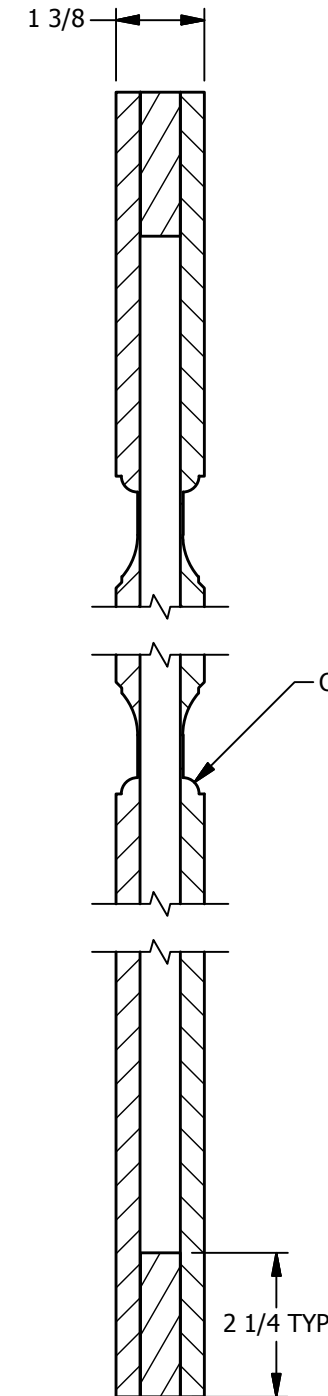
DIMENSION TABLE			
DOOR SIZE	"A"	"B"	"C"
3'-0" X 8'-0"	36"	24"	6"
2'-10" X 8'-0"	34"	22"	6"
2'-8" X 8'-0"	32"	20"	6"
2'-6" X 8'-0"	30"	18"	6"
2'-4" X 8'-0"	28"	16"	6"
2'-0" X 8'-0"	24"	14"	6"

**NOTES:**


1. DOOR THICKNESS ALSO AVAILABLE IN 1<sup>3</sup>/<sub>4</sub>"
2. ALSO AVAILABLE WITH SOLID CORE

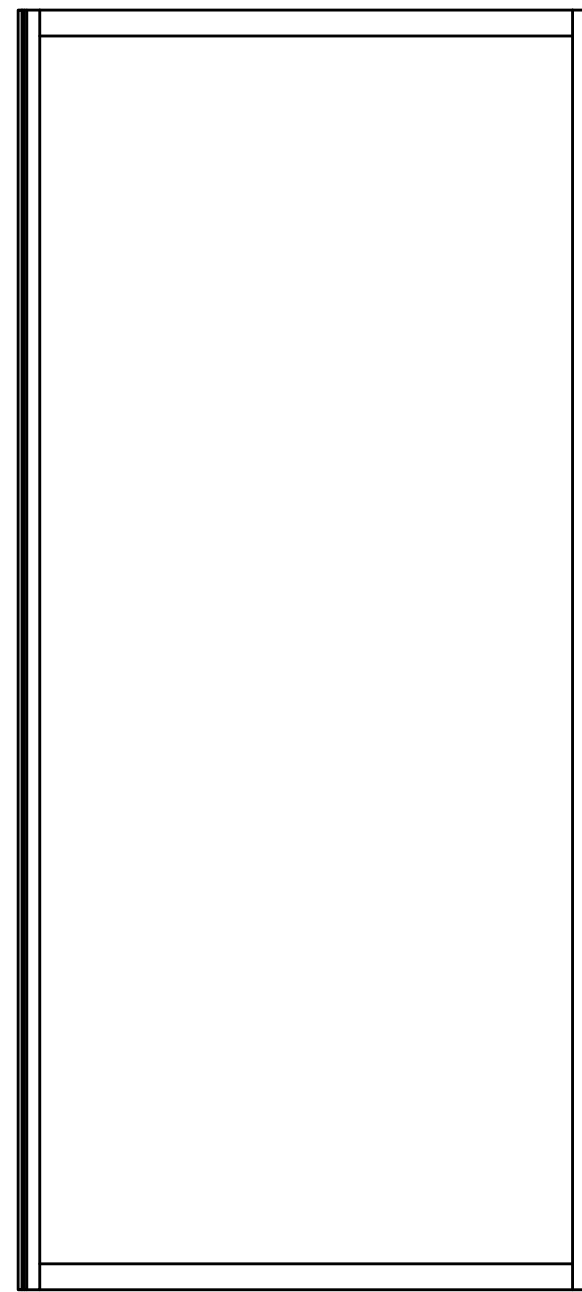
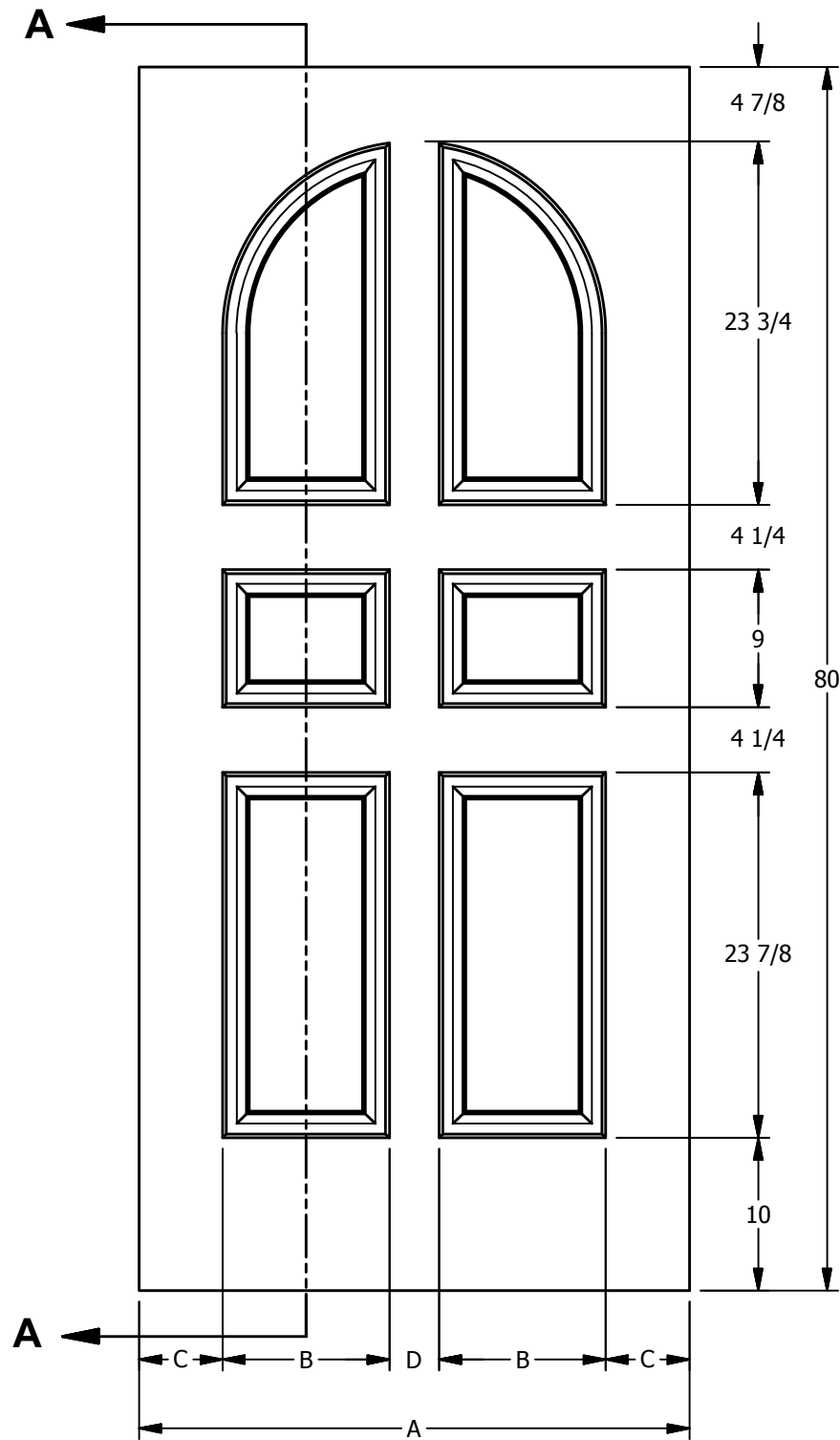


**DETAIL**  
FRONT ELEVATION



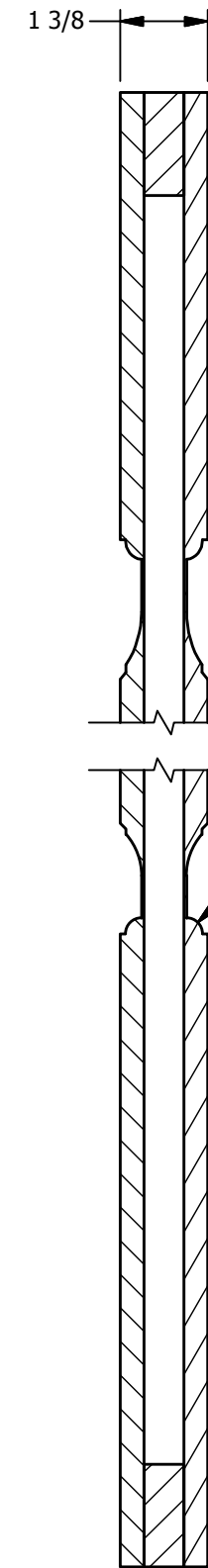
**SECTION A-A**

CREATION DATE: 7/12/2015		3737 Lakeport Blvd. Klamath Falls, OR 97601 Phone: (800) 441-3884 www.jeld-wen.com
REV. DATE:		
TITLE: <b>TRIA COLLECTION</b>		
DESCRIPTION: <b>C6708 8'-0"</b> 2'-0", 2'-4", 2'-6", 2'-8", 2'-10", 3'-0"		



**DETAIL**  
FRONT ELEVATION

1 3/8 TYP



**SECTION A-A**  
FOAM CORE

C-SERIES - STANDARD STICKING

**DIMENSION TABLE**

DOOR SIZE	"A"	"B"	"C"
4'-0" X 6'-8"	48"	16 7/8"	5 1/2"
3'-6" X 6'-8"	42"	13 7/8"	5 1/2"
3'-0" X 6'-8"	36"	10 7/8"	5 1/2"
2'-8" X 6'-8"	32"	9 13/16"	4 9/16"
2'-6" X 6'-8"	30"	8 13/16"	4 9/16"
2'-4" X 6'-8"	28"	7 13/16"	4 9/16"
2'-0" X 6'-8"	24"	5 13/16"	4 9/16"

**NOTES:**

1. DOOR THICKNESS ALSO AVAILABLE IN 1 3/4"
2. ALSO AVAILABLE WITH SOLID CORE

CREATION DATE:  
7/2/2015  
REV. DATE:



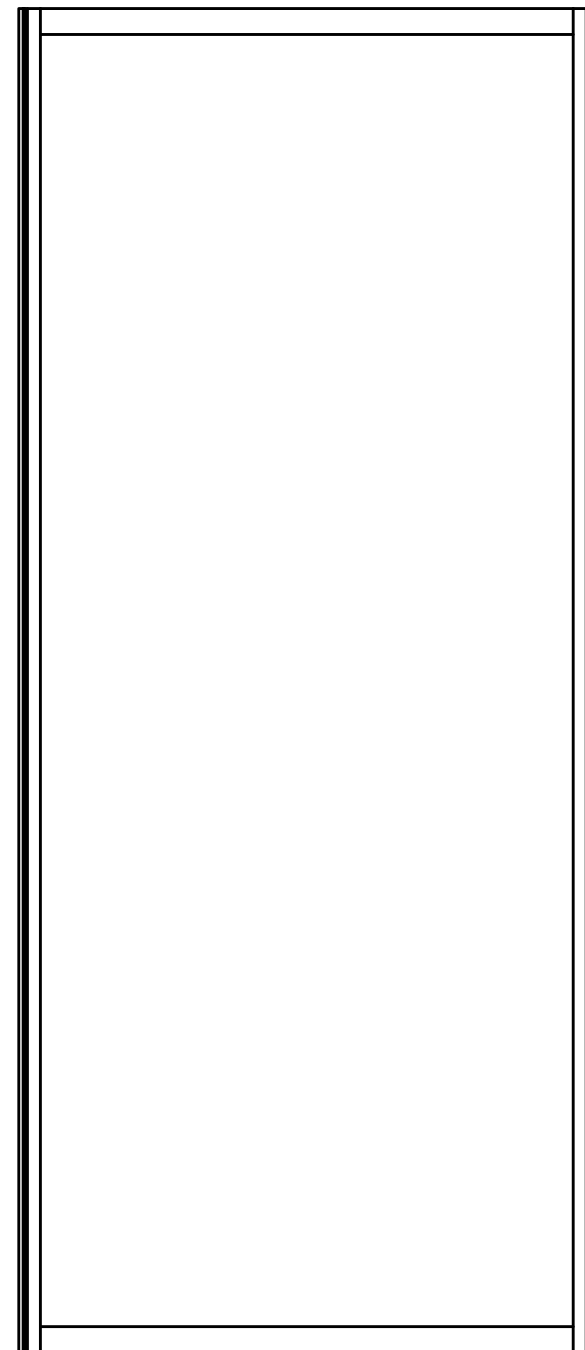
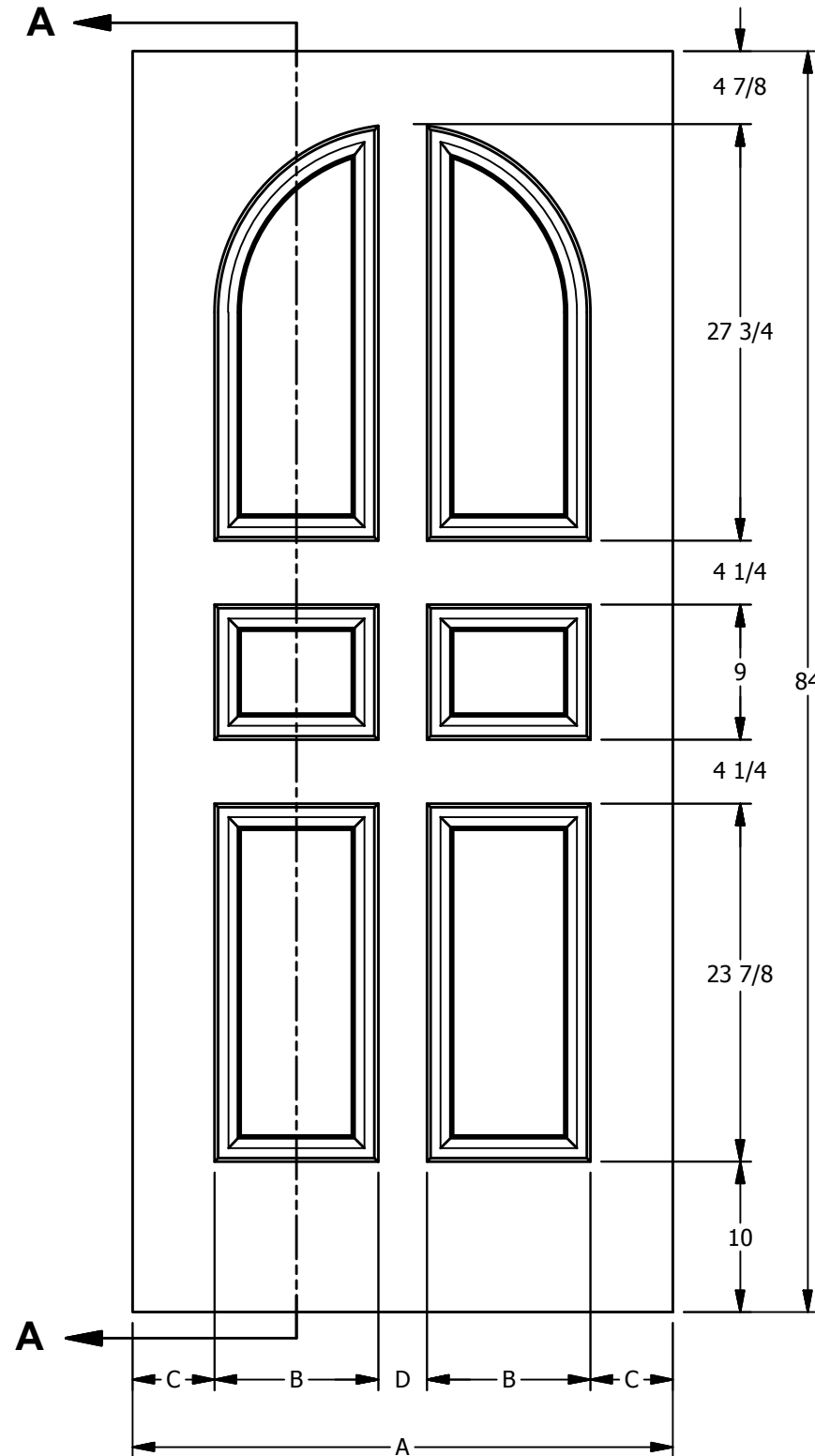
3737 Lakeport Blvd.  
 Klamath Falls, OR 97601  
 Phone: (800) 441-3884  
 www.jeld-wen.com

TITLE:

**TRIA COLLECTION**

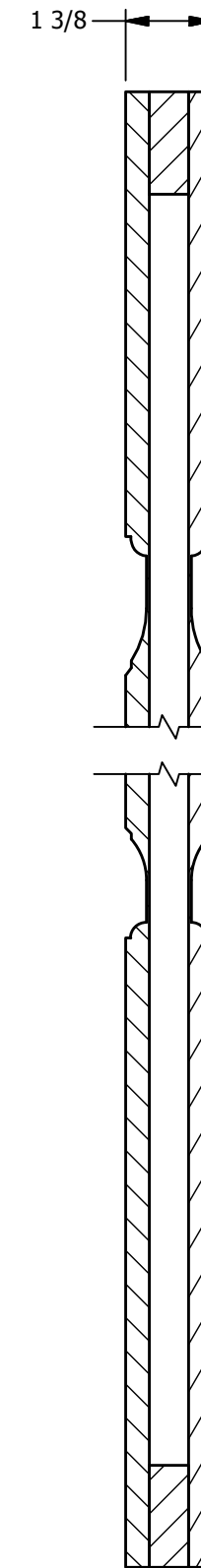
DESCRIPTION:

**C6860 6'-8"**  
 2'-0", 2'-4", 2'-6", 2'-8", 3'-0", 3'-6", 4'-0"



**DETAIL**  
FRONT ELEVATION

1 3/8 TYP



**SECTION A-A**  
FOAM CORE

C-SERIES - STANDARD STICKING

**DIMENSION TABLE**

DOOR SIZE	"A"	"B"	"C"
4'-0" X 7'-0"	48"	16 7/8"	5 1/2"
3'-6" X 7'-0"	42"	13 7/8"	5 1/2"
3'-0" X 7'-0"	36"	10 7/8"	5 1/2"
2'-8" X 7'-0"	32"	9 13/16"	4 9/16"
2'-6" X 7'-0"	30"	8 13/16"	4 9/16"
2'-4" X 7'-0"	28"	7 13/16"	4 9/16"
2'-0" X 7'-0"	24"	5 13/16"	4 9/16"

**NOTES:**

1. DOOR THICKNESS ALSO AVAILABLE IN 1 3/4"
2. ALSO AVAILABLE WITH SOLID CORE

CREATION DATE:  
02-07-2015  
REV. DATE:



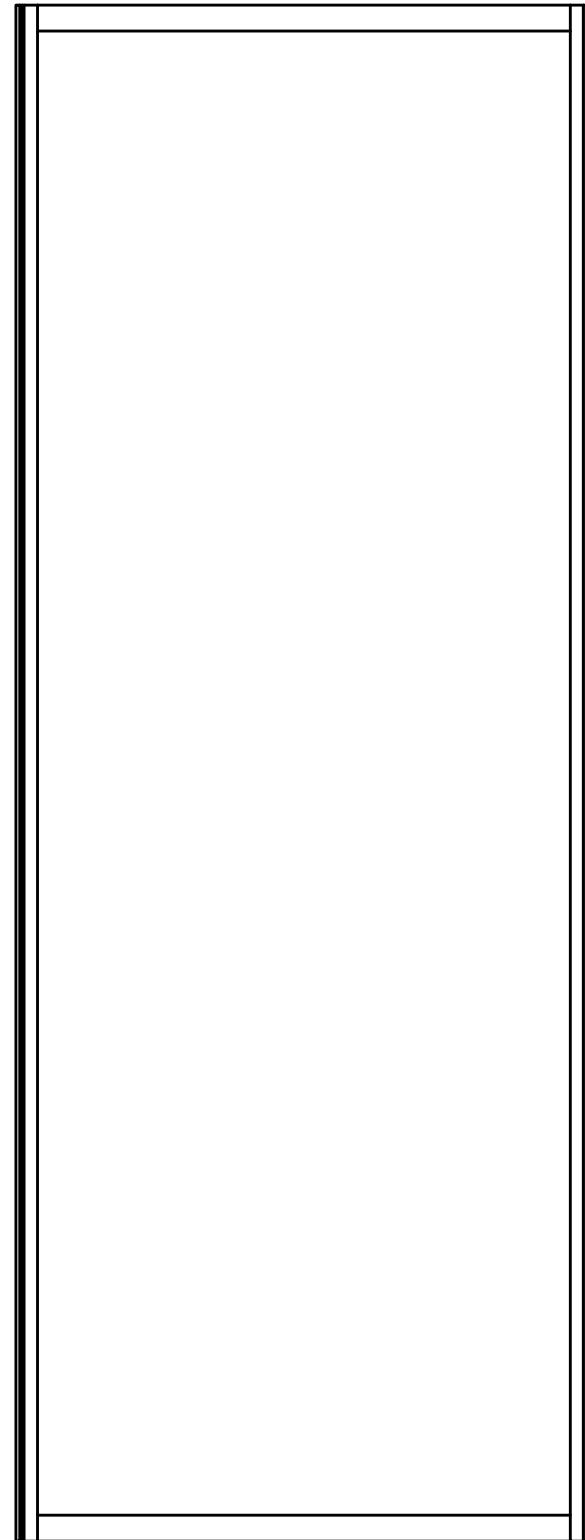
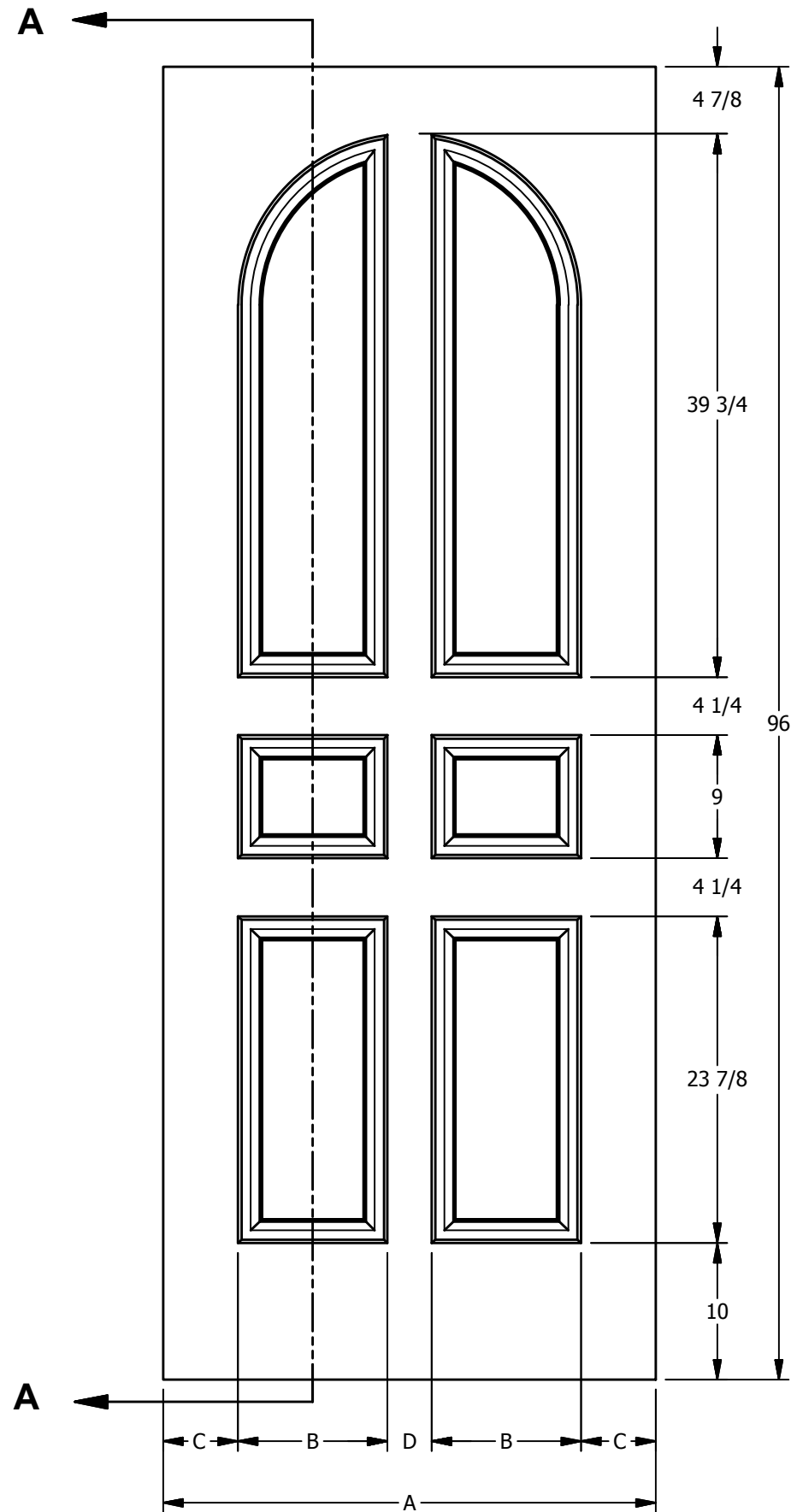
3737 Lakeport Blvd.  
 Klamath Falls, OR 97601  
 Phone: (800) 441-3884  
 www.jeld-wen.com

TITLE:

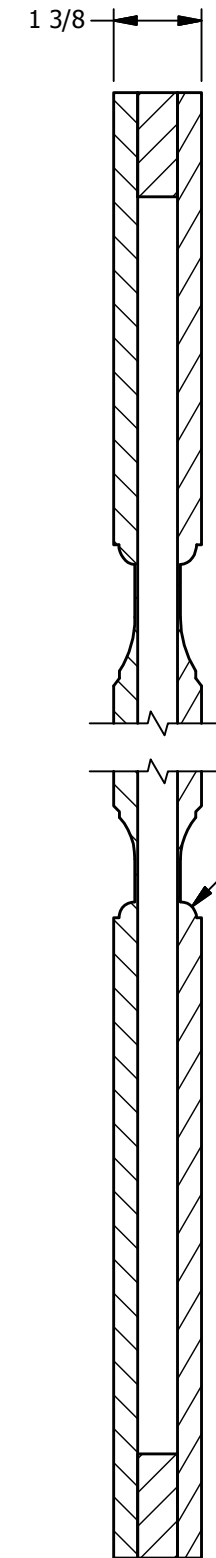
**TRIA COLLECTION**

DESCRIPTION:

**C6860 7'-0"**  
 2'-0", 2'-4", 2'-6", 2'-8", 3'-0", 3'-6", 4'-0"



**DETAIL**  
FRONT ELEVATION



**SECTION A-A**  
FOAM CORE

**DIMENSION TABLE**

DOOR SIZE	"A"	"B"	"C"
4'-0" X 8'-0"	48"	16 7/8"	5 1/2"
3'-6" X 8'-0"	42"	13 7/8"	5 1/2"
3'-0" X 8'-0"	36"	10 7/8"	5 1/2"
2'-8" X 8'-0"	32"	9 13/16"	4 9/16"
2'-6" X 8'-0"	30"	8 13/16"	4 9/16"
2'-4" X 8'-0"	28"	7 13/16"	4 9/16"
2'-0" X 8'-0"	24"	5 13/16"	4 9/16"

**NOTES:**

1. DOOR THICKNESS ALSO AVAILABLE IN  $1 \frac{3}{4}$ "
2. ALSO AVAILABLE WITH SOLID CORE

CREATION DATE:  
7/2/2015  
REV. DATE:



3737 Lakeport Blvd.  
 Klamath Falls, OR 97601  
 Phone: (800) 441-3884  
 www.jeld-wen.com

TITLE:

**TRIA COLLECTION**

DESCRIPTION:

**C6860 8'-0"**  
 2'-0", 2'-4", 2'-6", 2'-8", 3'-0", 3'-6", 4'-0"