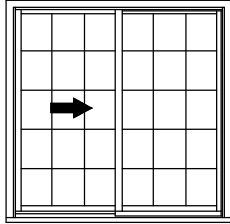
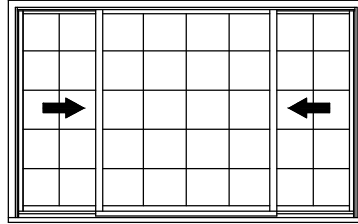

Table of Contents

General Information	14-2
Elevation Notes	14-3
Lite Cut Information	14-4
Design Information	14-6
Clear Opening Information.....	14-7
Unit Sizing, Rough Openings & Masonry Openings.....	14-8
Trim Options	14-9
Jamb Extender Options	14-10
Mullion Options	14-11
Section Details	14-12
Min. - Max. Sizing	14-15

GENERAL INFORMATION



OPERATING UNIT
(LEFT SHOWN)

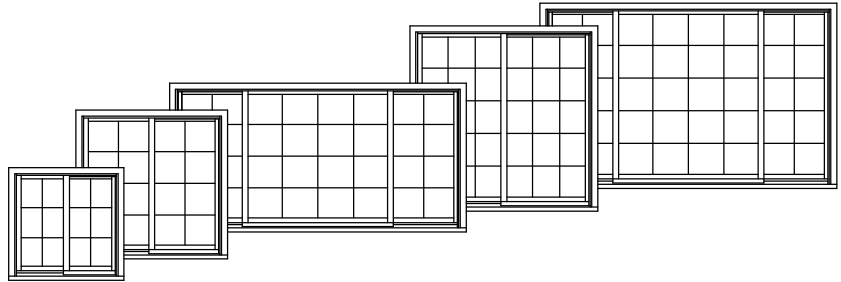


OPERATING UNIT
(LEFT/STATIONARY/RIGHT)

DIMENSIONAL WINDOWS

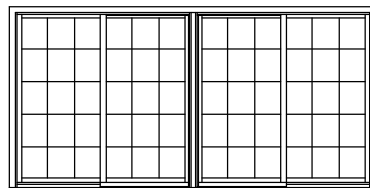
Custom wood horizontal gliding windows may be specified as "dimensional", by adjusting the desired rough opening width or height in 1/16" increments from standard.

Custom wood horizontal gliding windows are available in standard and triple unit styles. Standard units feature one operating sash and one fixed sash. Triple unit styles feature a fixed center sash with operating sash on both sides. Recessed tilt latch at the top of the meeting rail makes it easy to remove sash for cleaning or installation. Units are supplied with dual cam-type sash locks installed. Die-cast sash pulls supplied for field installation are an option. There are several hardware finish options available. Refer to the specifications for finish options.



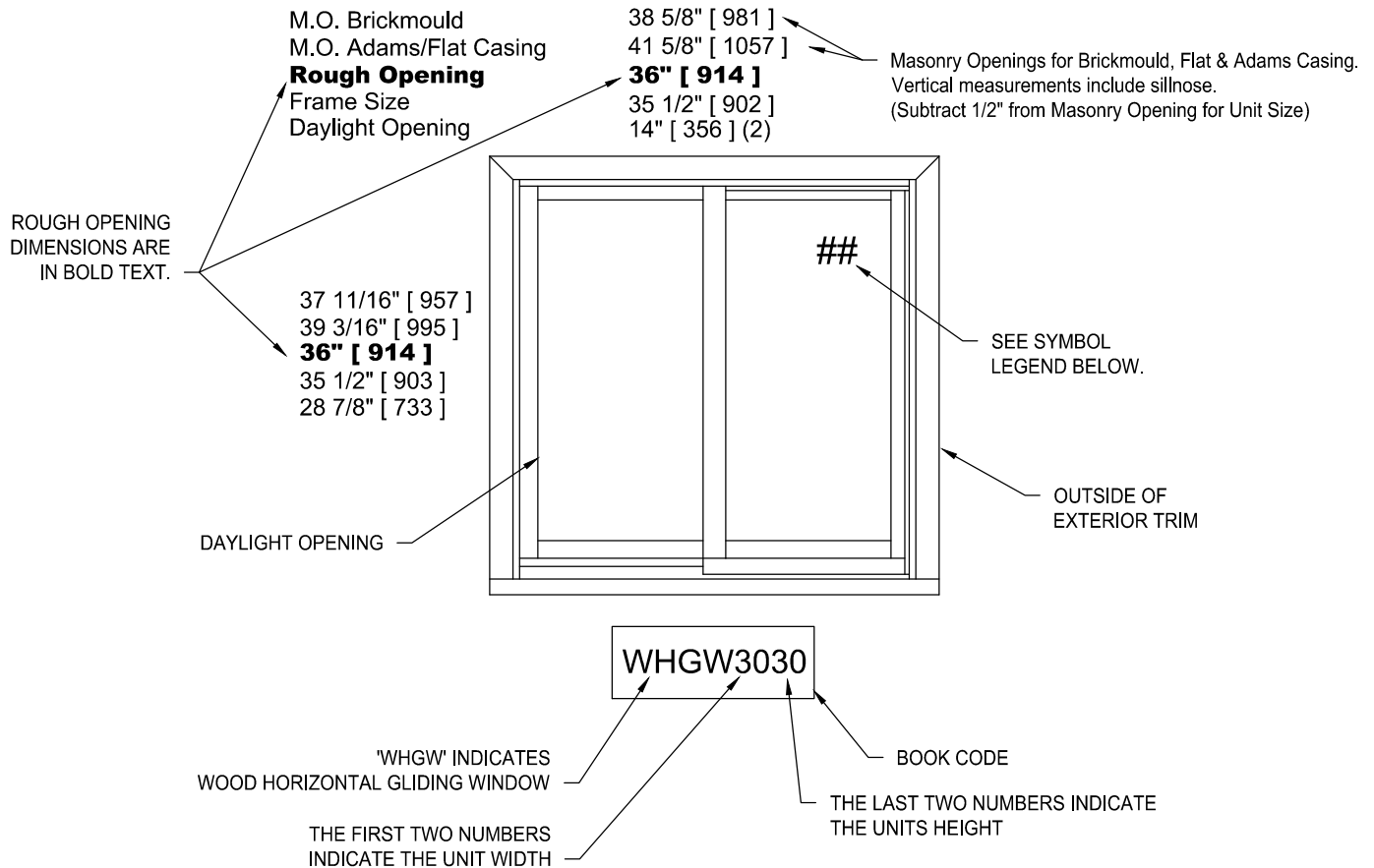
MULTIPLE ASSEMBLIES

Custom wood horizontal gliding windows may be mullered side-by-side to fill larger openings. Factory assembled mulls are limited to a maximum of two basic units, not to exceed 40 square feet in total area. Larger assemblies may be field mullered.



ELEVATION NOTES

ELEVATION DRAWINGS UTILIZE A LIMITED NUMBER OF PROJECTED LINES TO PRODUCE A RUDIMENTARY DRAWING INTENDED TO BE USED IN A SMALL GRAPHICAL SCALE. ELEVATIONS ARE VIEWED PERPENDICULAR FROM THE EXTERIOR OF THE STRUCTURE. IF MORE DIMENSIONS ARE NEEDED, USE THE SECTION DRAWINGS FOR MORE COMPLETE DEPICTIONS.



GENERAL HORIZONTAL GLIDING WINDOW NOTES

1. ALL UNITS SHOWN ARE AVAILABLE AS OPERATORS ONLY.
2. UNIT ELEVATIONS ARE SHOWN WITH BRICKMOULD & SILLNOSE.
3. DIMENSIONAL VALUES IN BRACKETS ARE MILLIMETER CONVERSIONS.

ELEVATION SYMBOL LEGEND:

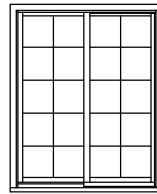
- E** BASIC UNIT CLEAR OPENING EXCEEDS 20" IN WIDTH, 24" IN HEIGHT & A MINIMUM OF 5.7 SQ. FT.
- ##** NUMBER INDICATES DESIGN PRESSURE (DP) RATING WITH STANDARD GLAZING.

LITE CUT TABLE

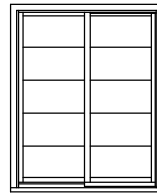
Custom wood horizontal gliding windows are available with removable grilles in 5/8", 7/8", 1-1/8" and 1-3/8" widths, grilles between the glass (GBG), and Simulated Divided Lites. Standard lite cuts are rectangular, and conform to the layouts noted in the charts on the next page. To use the chart, refer to the appropriate table by the type of window and type of bars or grilles the section drawings illustrate. Then simply cross reference the frame Height and Width to determine the standard lite cut.

LITE CUT OPTIONS

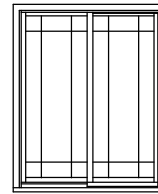
Special lite cut patterns can include a wide variety of straight line and radius patterns. The illustrations shown here represent just a few of the possibilities. Rectangular, horizontal, vertical and Prairie lite patterns are available in all standard size wood horizontal gliding windows. Uneven, diamond, radius and Gothic lite cuts are available, subject to approval. Approvals are based on the ability to fulfill the design requirement while maintaining the construction integrity of the finished product.



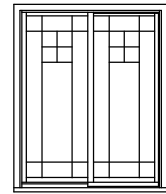
RECTANGULAR



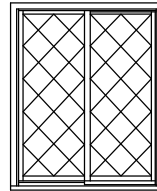
HORIZONTAL



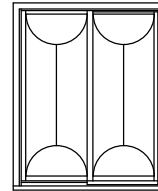
PRAIRIE



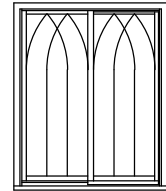
UNEVEN



DIAMOND



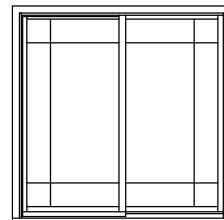
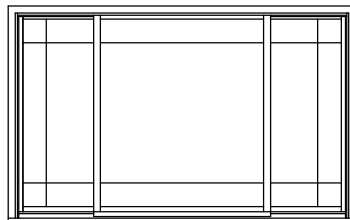
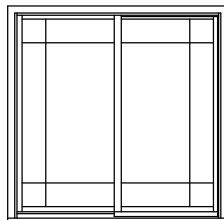
RADIUS



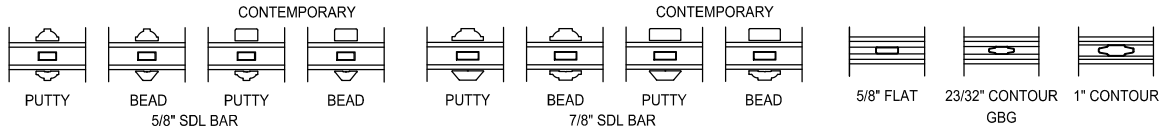
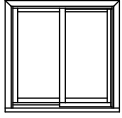
GOTHIC

BAR ALIGNMENT

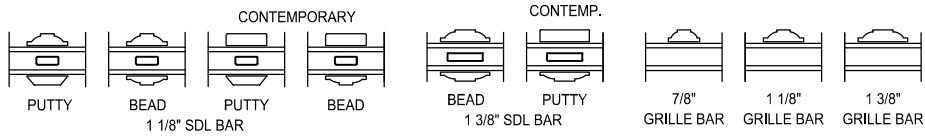
Alignment of divided lite muntin bars from one window to the next is often required by fine architectural design. Wood grilles, GBG's and Simulated Divided Lites may be specified with muntin bars aligned.



LITE CUT TABLE



	WHGW	Width Callout				
		3-0	4-0	5-0	6-0	8-0
Height Callout	2-0	2W 2H	2W 2H	N/A	N/A	N/A
	3-0	2W 3H	2W 3H	3W 3H	3W 3H	N/A
	3-6	2W 4H	2W 4H	3W 4H	3W 4H	N/A
	4-0	2W 4H	2W 4H	3W 4H	3W 4H	2W 4W 4H
	5-0	N/A	2W 5H	3W 5H	3W 5H	2W 4W 5H



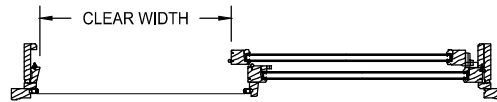
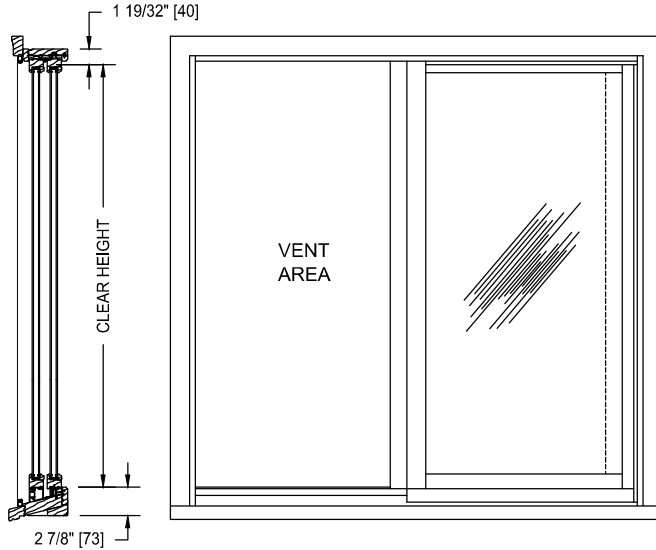
	WHGW	Width Callout				
		3-0	4-0	5-0	6-0	8-0
Height Callout	2-0	2W 2H	2W 2H	N/A	N/A	N/A
	3-0	2W 3H	2W 3H	3W 3H	3W 3H	N/A
	3-6	2W 4H	2W 4H	3W 4H	3W 4H	N/A
	4-0	2W 4H	2W 4H	3W 4H	3W 4H	2W 4W 4H
	5-0	N/A	2W 5H	3W 5H	3W 5H	2W 4W 5H

DESIGN DATA TABLE

Horizontal Gliding Units							
Unit Book Code	Frame Width	Frame Height	Square Feet of Clear Opening	Clear Opening Width Inches	Clear Opening Height Inches	Square Feet of Daylight Opening Opr. Sash	Square Feet of Daylight Opening Sta. Sash
Twin Units							
WHGW3020	35.50	23.50	1.78	13.47	19.03	1.64	1.64
WHGW3030	35.50	35.50	2.90	13.47	31.03	2.81	2.81
WHGW3036	35.50	41.50	3.46	13.47	37.03	3.39	3.39
WHGW3040	35.50	47.50	4.02	13.47	43.03	3.97	3.97
WHGW4020	47.50	23.50	2.57	19.47	19.03	2.34	2.34
WHGW4030	47.50	35.50	4.20	19.47	31.03	4.01	4.01
WHGW4036	47.50	41.50	5.01	19.47	37.03	4.84	4.84
WHGW4040	47.50	47.50	5.82	19.47	43.03	5.68	5.68
WHGW4050	47.50	59.50	7.44	19.47	55.03	7.34	7.34
WHGW5030	59.50	35.50	5.49	25.47	31.03	5.21	5.21
E WHGW5036	59.50	41.50	6.55	25.47	37.03	6.30	6.30
E WHGW5040	59.50	47.50	7.61	25.47	43.03	7.38	7.38
E WHGW5050	59.50	59.50	9.73	25.47	55.03	9.55	9.55
E WHGW6030	71.50	35.50	6.78	31.47	31.03	6.42	6.42
E WHGW6036	71.50	41.50	8.09	31.47	37.03	7.75	7.75
E WHGW6040	71.50	47.50	9.40	31.47	43.03	9.08	9.08
E WHGW6050	71.50	59.50	12.03	31.47	55.03	11.75	11.75
Triple Units							
WHGW8040	95.50	47.50	5.82	19.47	43.03	5.68	13.08
WHGW8050	95.50	59.50	7.44	19.47	55.03	7.34	16.91

E Basic Unit Clear Opening exceeds 20" in width, 24" in height & a minimum of 5.7 square feet.

CLEAR OPENING LAYOUT



HORIZONTAL GLIDING WINDOW - 2 WIDE

CLEAR OPENING FORMULAS

VERTICAL

Frame Height - 4 15/32" = Clear Opening Height

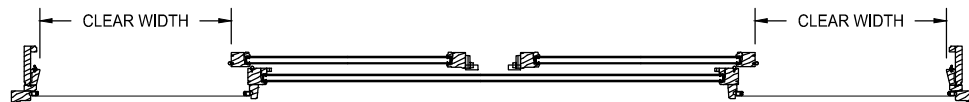
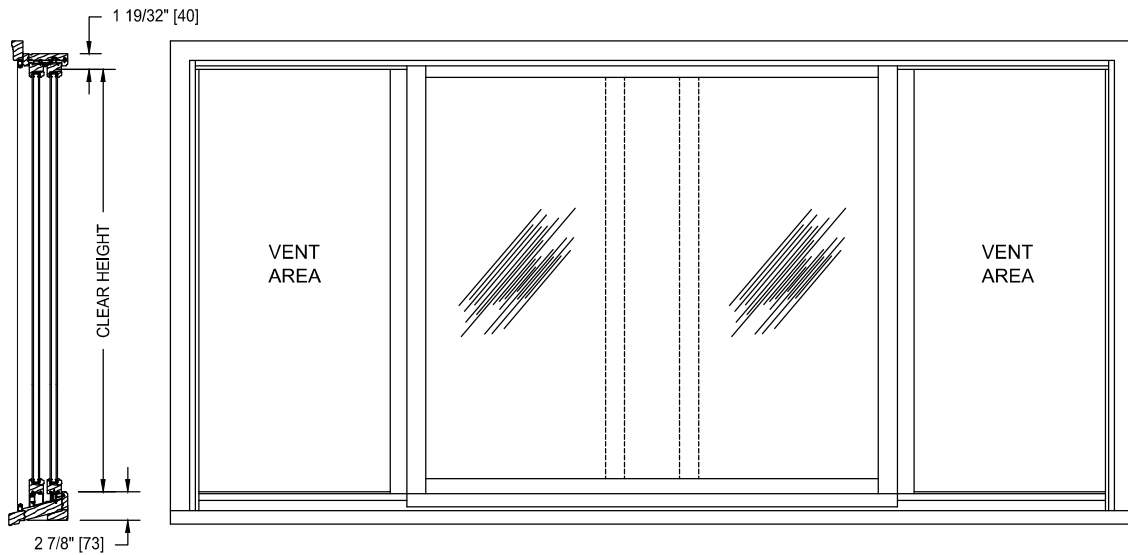
HORIZONTAL

2-WIDE

((Frame / 2) - 4 9/32") = Clear Opening Width

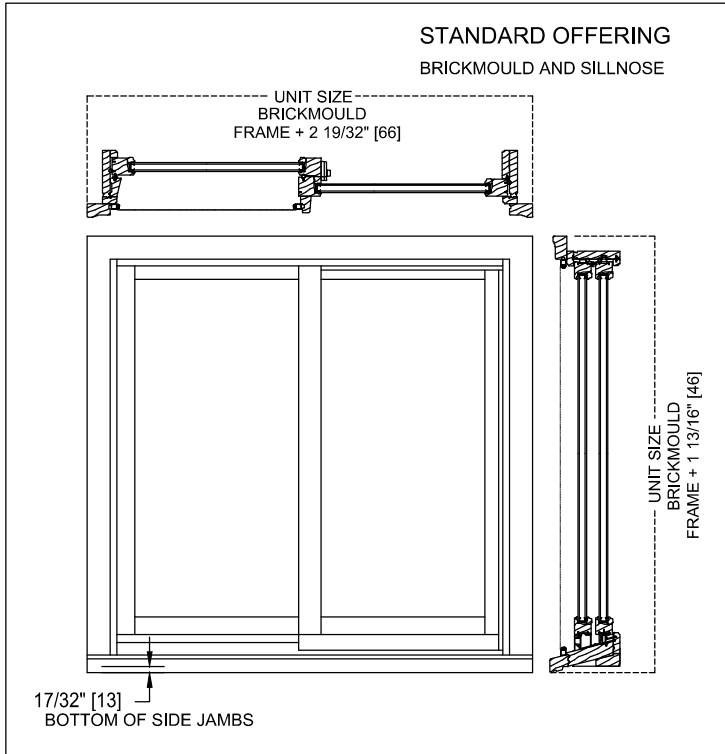
3-WIDE

((Frame / 4) - 4 13/32") = Clear Opening Width



HORIZONTAL GLIDING WINDOW - 3 WIDE

**UNIT SIZING, ROUGH OPENINGS &
MASONRY OPENINGS**



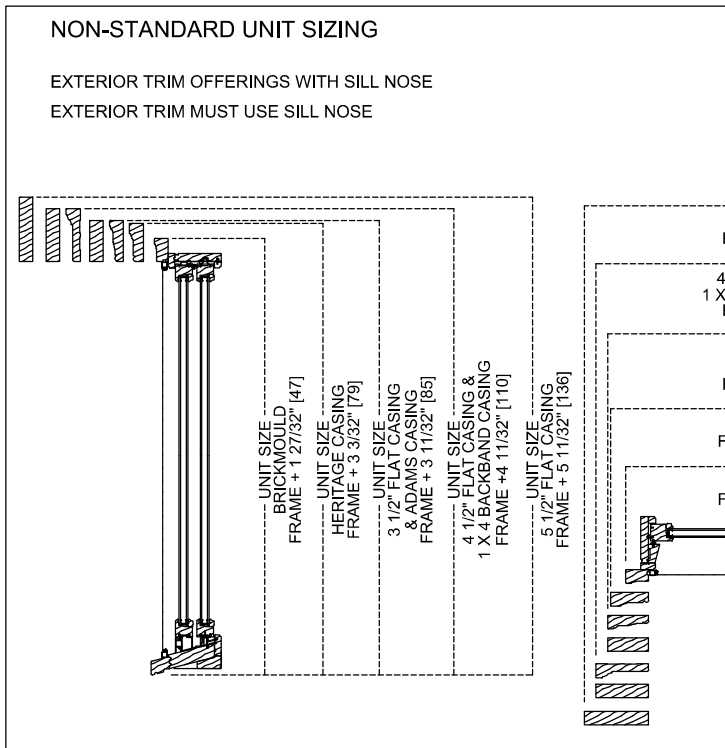
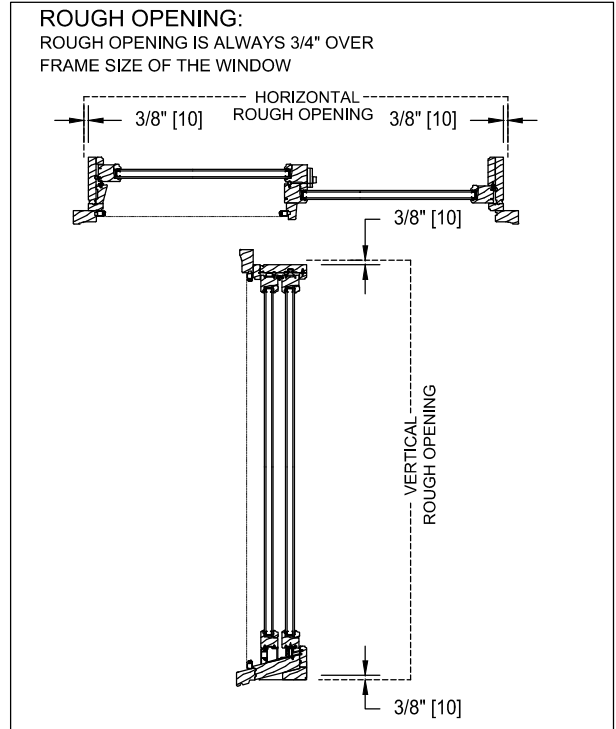
GENERAL NOTES:

UNITS WITH NO TRIM AND SILL NOSE:
UNIT SIZE = FRAME SIZE

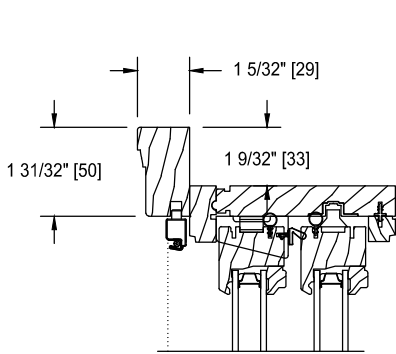
UNIT SIZE IS ALWAYS THE
EXTREME SIZE OF THE WINDOW
WITH OR WITHOUT TRIM

MASONRY OPENING:
MASONRY OPENING IS ALWAYS 1/2" OVER
THE UNIT SIZE OF THE WINDOW

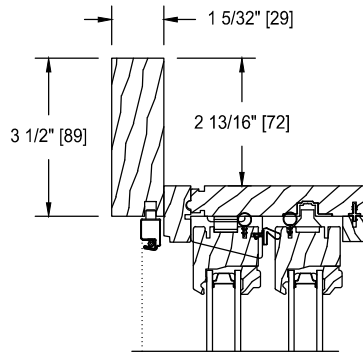
ROUGH OPENING:
ROUGH OPENING IS ALWAYS 3/4" OVER
FRAME SIZE OF THE WINDOW



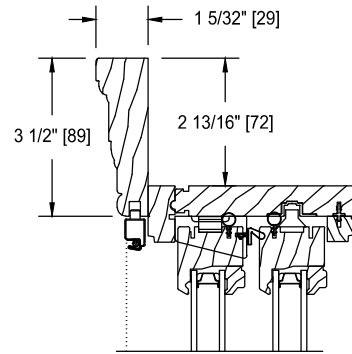
TRIM OPTIONS



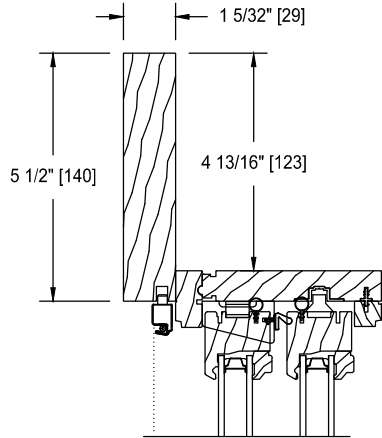
BRICKMOULD



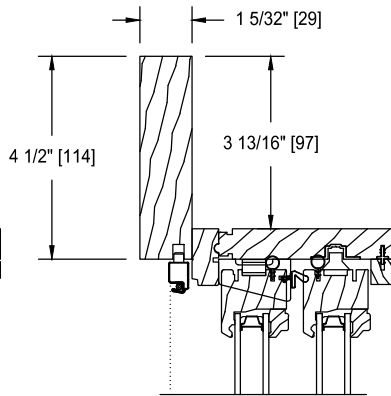
3 1/2"
FLAT CASING



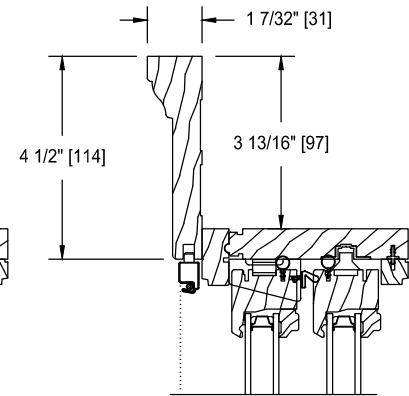
ADAMS
CASING



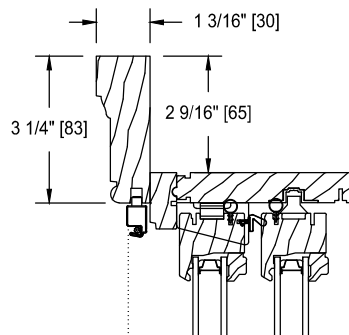
5 1/2"
FLAT CASING



4 1/2"
FLAT CASING

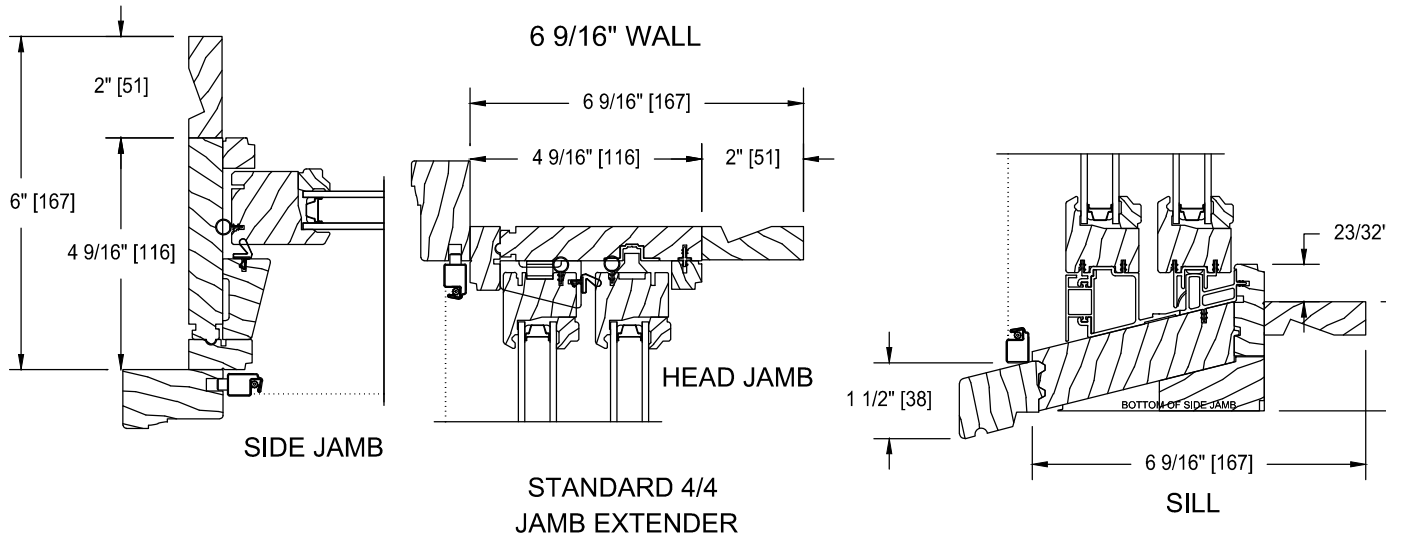


1 x 4 BACKBAND
CASING

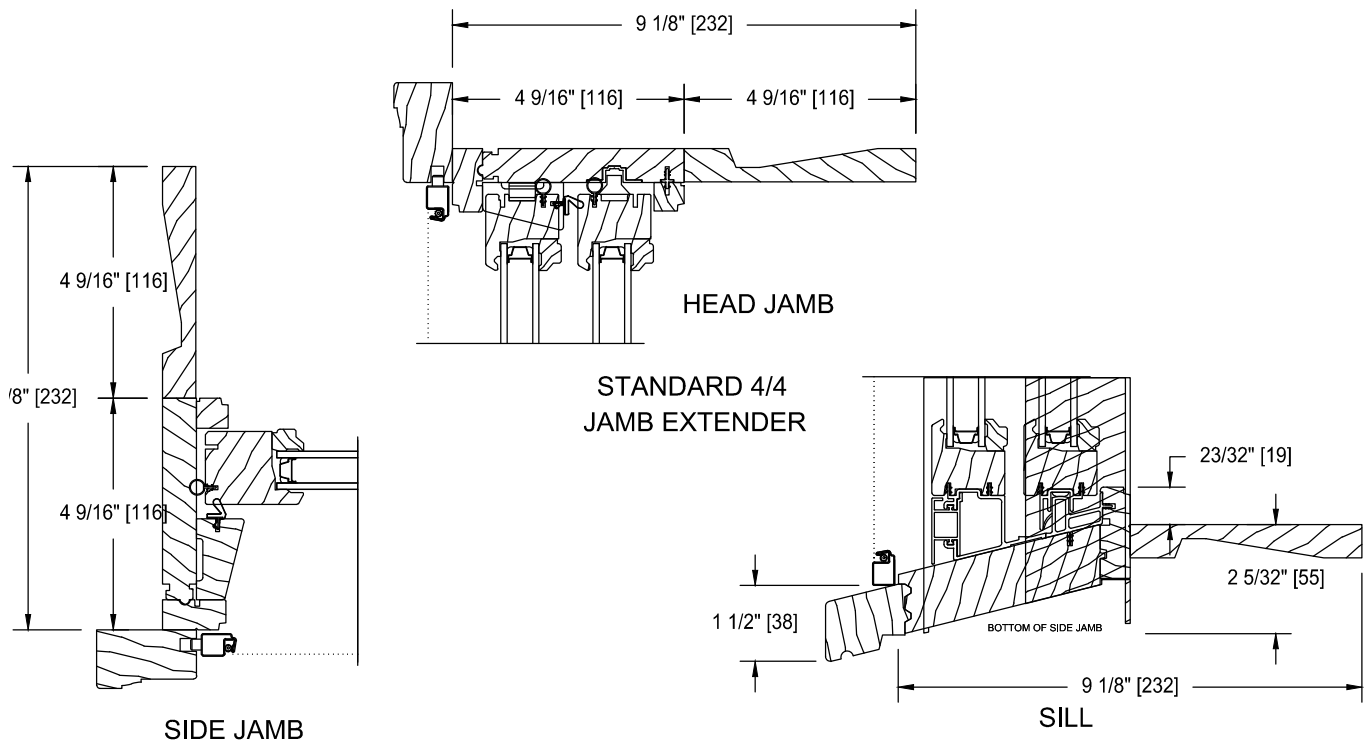


HERITAGE

JAMB EXTENDER OPTIONS

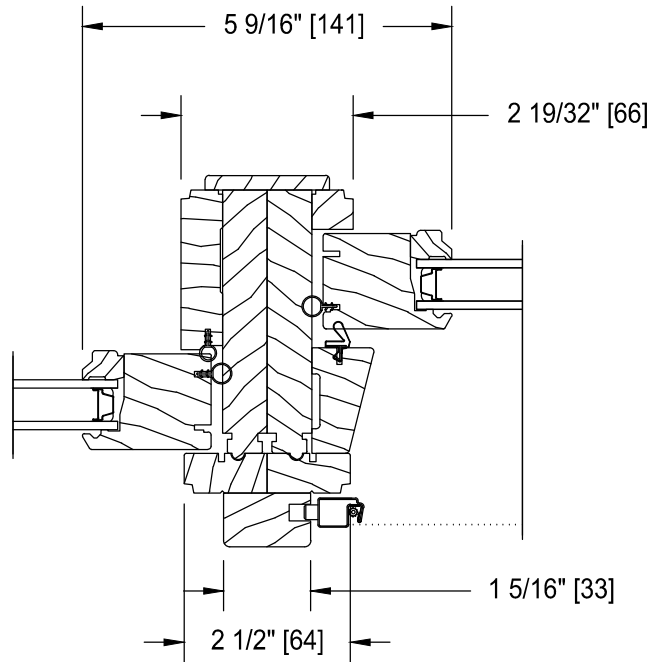


MAXIMUM JAMB WIDTH



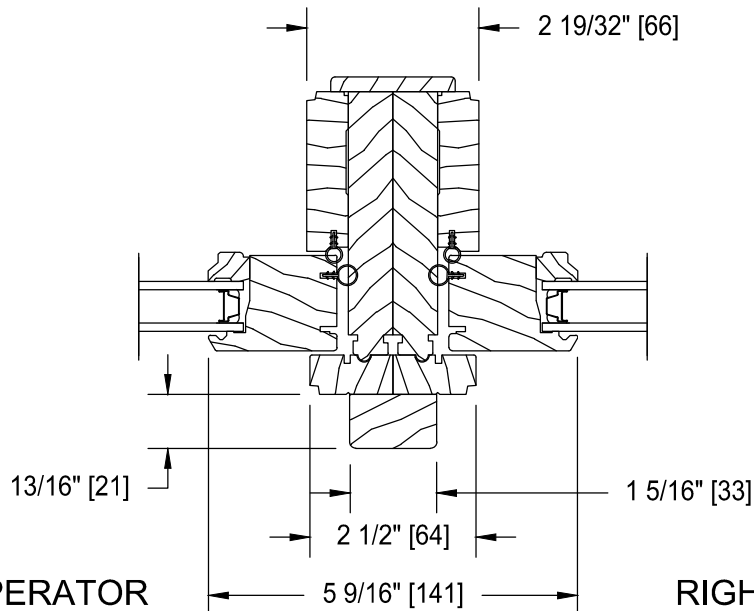
STANDARD MULLION DETAILS

HORIZONTAL MULLION



LEFT HAND OPERATOR

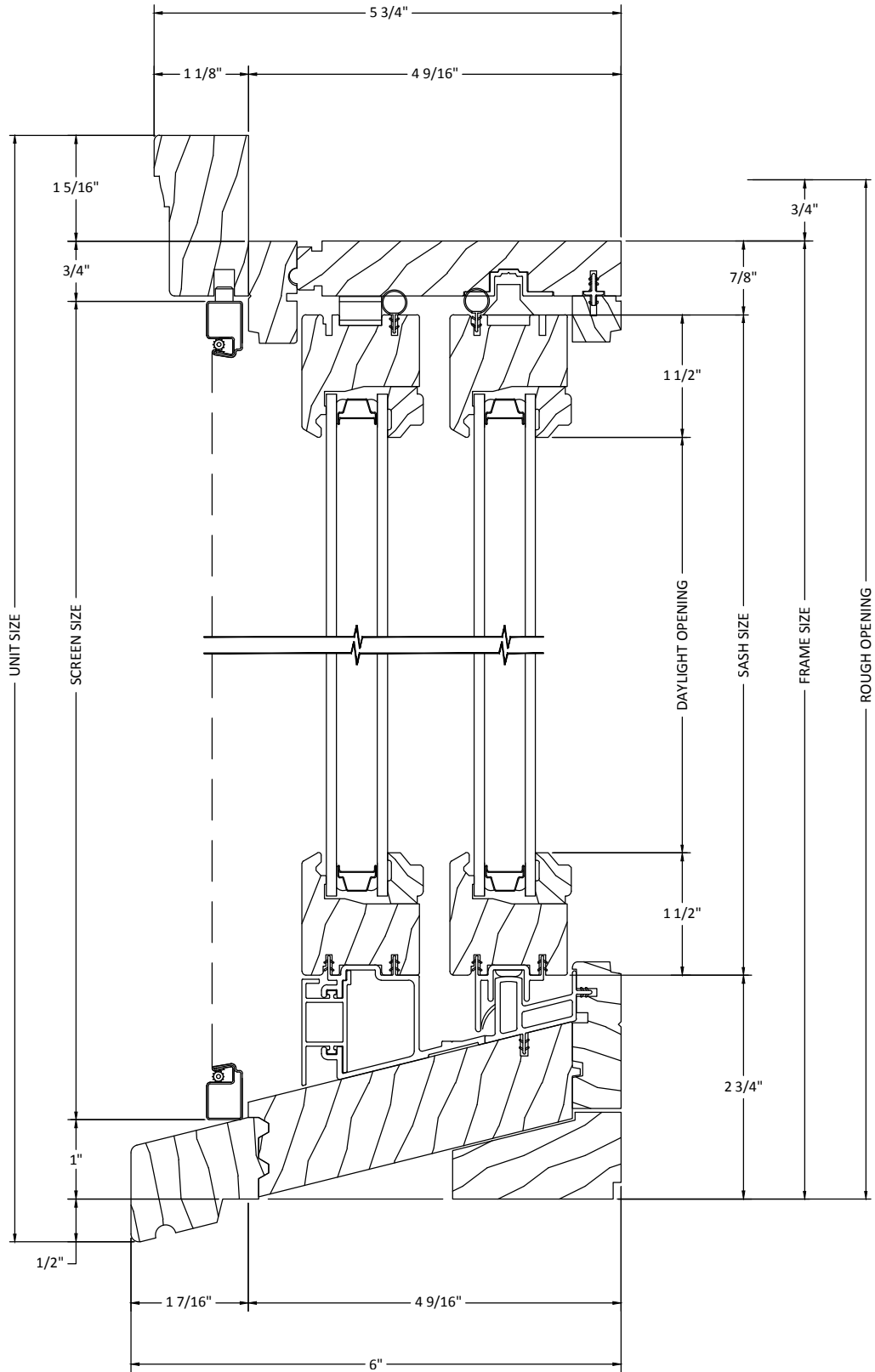
LEFT HAND OPERATOR
OR 3 WIDE WINDOW



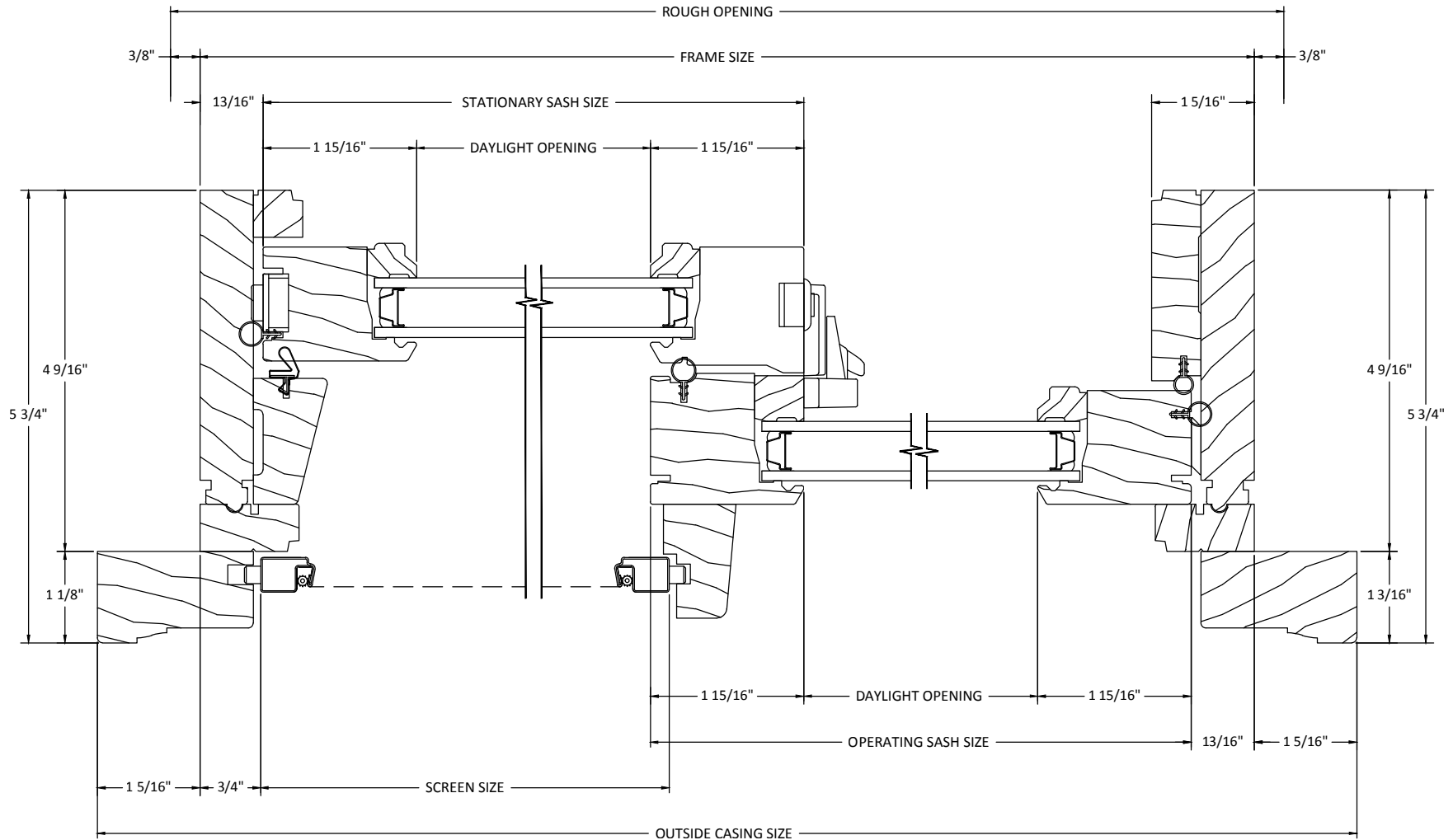
LEFT HAND OPERATOR

RIGHT HAND OPERATOR

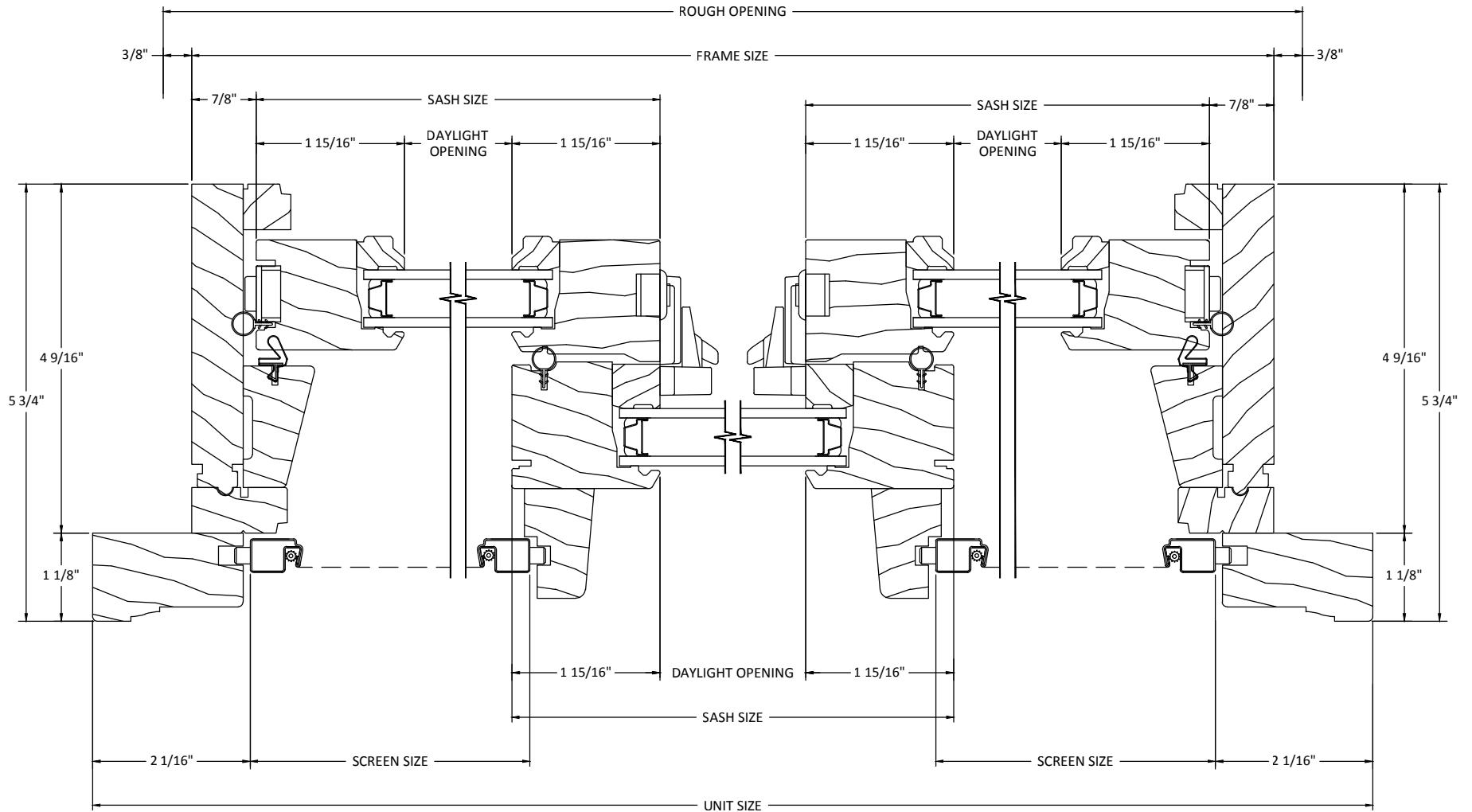
**VERTICAL SECTION
OPERATING UNIT**



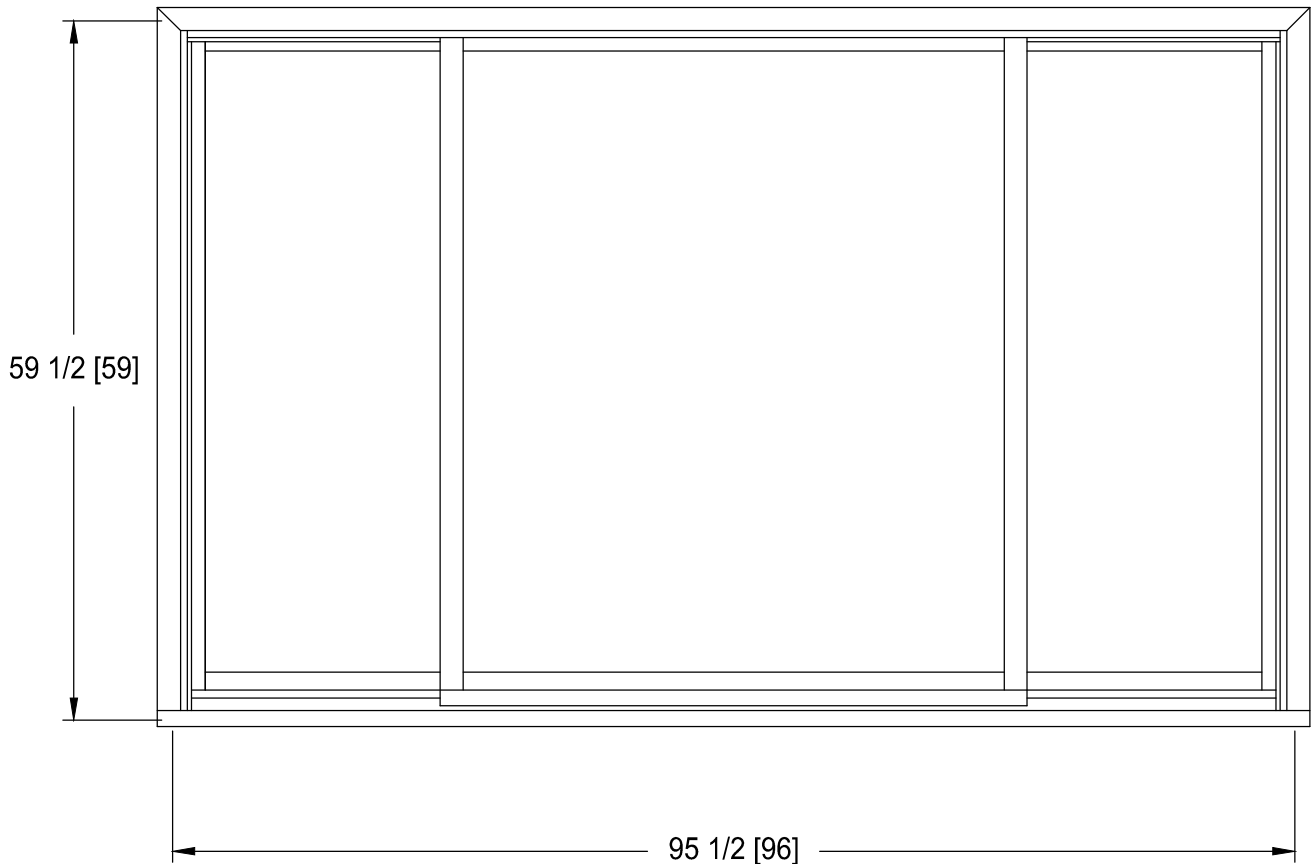
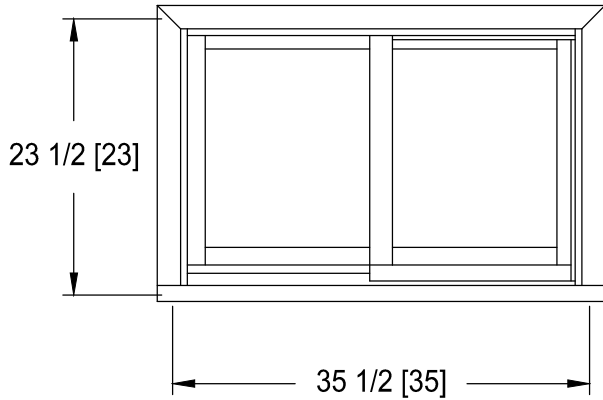
HORIZONTAL SECTION
OPERATING UNIT



HORIZONTAL SECTION
3-WIDE UNIT



MIN. - MAX. SIZING



Standard widths for the Custom Wood Horizontal Glider:
35 1/2" (902 mm), 47 1/2" (1207 mm), 59 1/2" (1511 mm), 71 1/2" (1816 mm), 95 1/2" (2426 mm).

Standard heights for the Custom Wood Horizontal Glider:
23 1/2" (597 mm), 35 1/2" (903 mm), 41 1/2" (1054 mm), 47 1/2" (1207 mm), 59 1/2" (1511 mm).