
TABLE OF CONTENTS

General Information 11-2

Elevations Notes 11-3

Clear Opening 11-6

Lite Cut Information 11-7

Operating Limitations 11-8

Unit Sizing, Rough Openings & Masonry Openings 11-9

Trim Options 11-10

Sill Options 11-11

Jamb Extender Options 11-12

Mullion Options 11-13

Grille & SDL Options. 11-14

Opening Data 11-17

Section Details 11-19

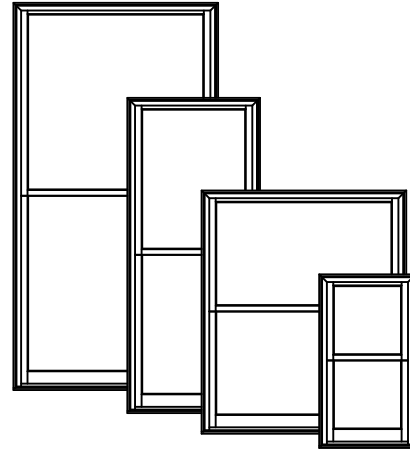
Min.-Max. Sizing 11-31

GENERAL INFORMATION

DIMENSIONAL WINDOWS

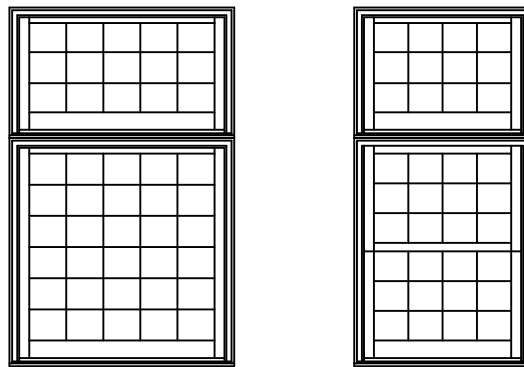
Custom Clad Epic double hung windows may be specified as "dimensional", by adjusting the desired rough opening width or height in 1/16" increments from standard.

Custom Clad Epic double hung windows feature fully operating upper and lower sash. Counterbalancing is achieved with block-and-tackle spring extension systems hidden in beige weatherable PVC jamb liners. White jamb liners are an available option. Operating units are supplied with cam-type sash locks. There are several hardware finish options. Refer to the specifications for available finish options.



MULTIPLE ASSEMBLIES

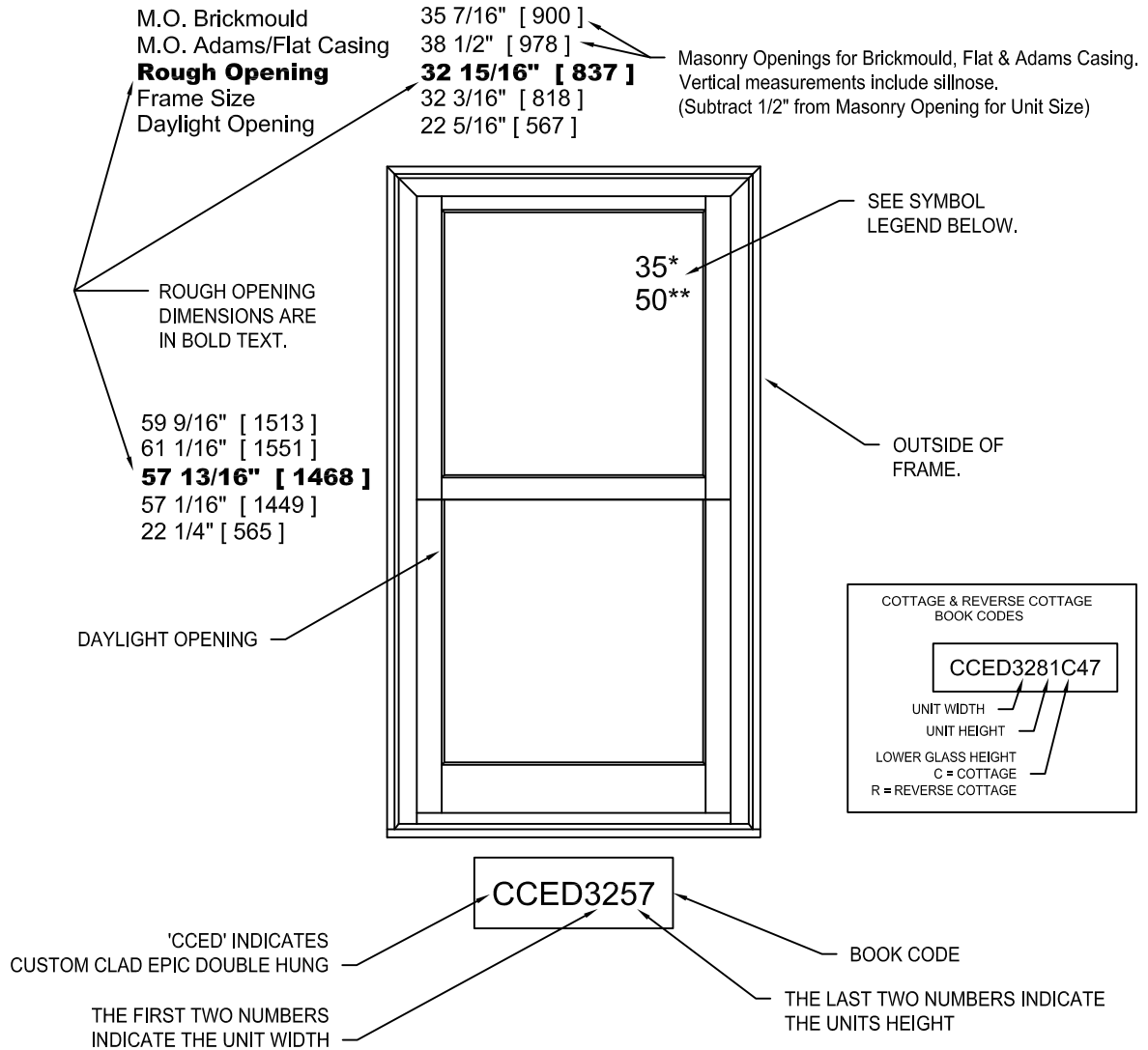
Custom Clad Epic double hung windows may be mullied beside other clad Epic double hungs or clad Epic picture windows, or below clad Epic transom windows, to fulfill a wide variety of needs. Factory assembled mulls are limited in height (100") and width (150").



ELEVATION NOTES
OPERABLE UNITS

ELEVATION DRAWINGS UTILIZE A LIMITED NUMBER OF PROJECTED LINES TO PRODUCE A RUDIMENTARY DRAWING INTENDED TO BE USED IN A SMALL GRAPHICAL SCALE. ELEVATIONS ARE VIEWED PERPENDICULAR FROM THE EXTERIOR OF THE STRUCTURE. IF MORE DIMENSIONS ARE NEEDED, USE THE SECTION DRAWINGS FOR MORE COMPLETE DEPICTIONS.

DOUBLE HUNG WINDOW



GENERAL CUSTOM CLAD EPIC DOUBLE HUNG NOTES

1. ALL UNITS SHOWN ARE AVAILABLE AS OPERATORS ONLY.
2. UNIT ELEVATIONS ARE SHOWN WITHOUT EXTERIOR TRIM.
3. ALL OPERATING SASH ARE INSTALLED WITH VINYL JAMB LINERS AND OPERATED WITH AN INTERNAL BLOCK AND TACKLE SPRING SYSTEM.
4. DIMENSIONAL VALUES IN BRACKETS ARE MILLIMETER CONVERSIONS.

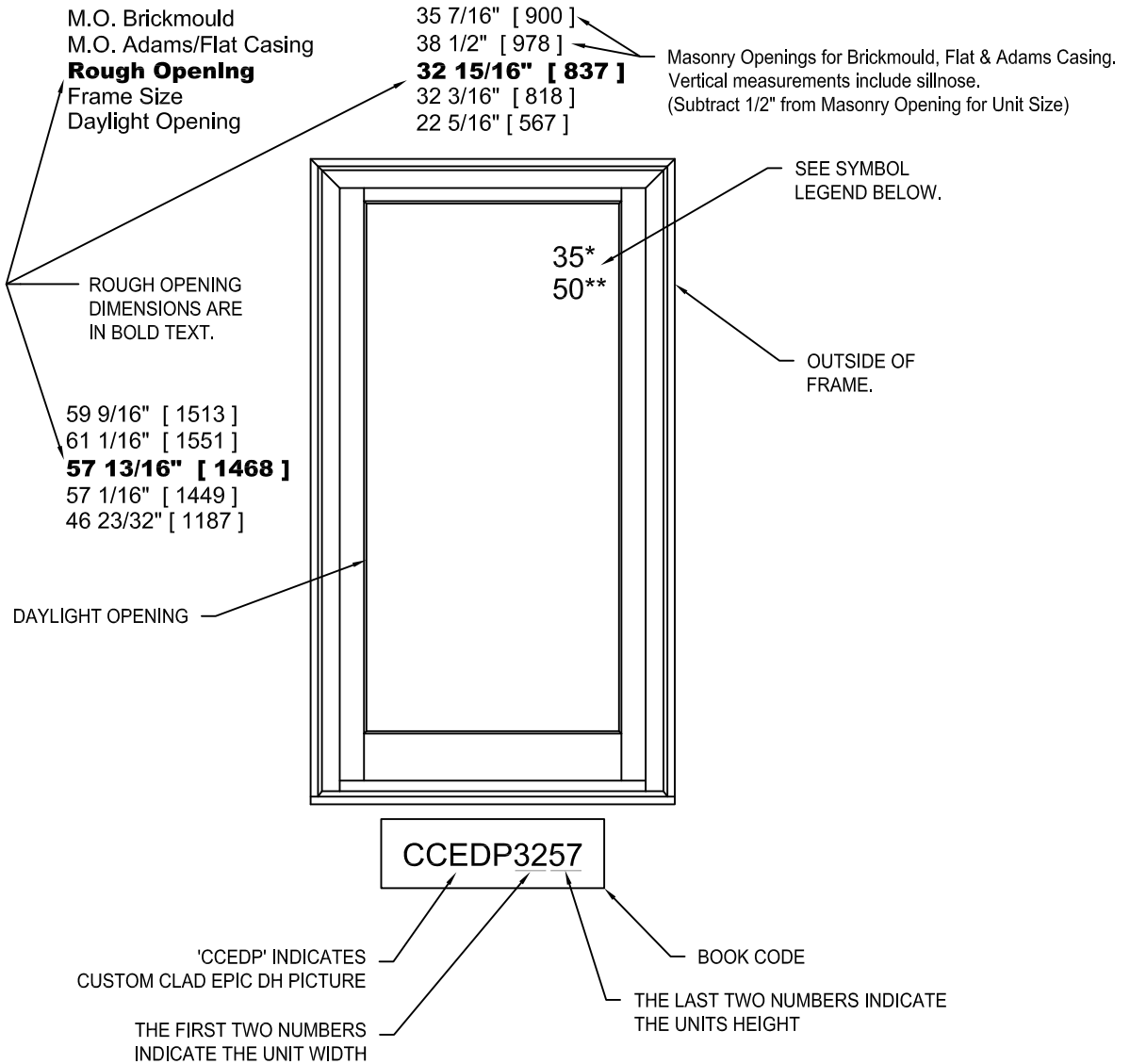
ELEVATION SYMBOL LEGEND:

- E** BASIC UNIT CLEAR OPENING EXCEEDS 20" IN WIDTH, 24" IN HEIGHT & A MINIMUM OF 5.7 SQ. FT.
- R** UNIT SASH TRAVEL IS RESTRICTED
- F** UNIT SASH TRAVEL IS RESTRICTED AND UPPER SASH IS FIXED.
- ##*** NUMBER INDICATES PERFORMANCE GRADE (PG) RATING WITH STANDARD GLAZING.
- ##**** NUMBER INDICATES PERFORMANCE GRADE (PG) RATING WITH IMPACT DESIGN.

ELEVATION NOTES
PICTURE UNITS

ELEVATION DRAWINGS UTILIZE A LIMITED NUMBER OF PROJECTED LINES TO PRODUCE A RUDIMENTARY DRAWING INTENDED TO BE USED IN A SMALL GRAPHICAL SCALE. ELEVATIONS ARE VIEWED PERPENDICULAR FROM THE EXTERIOR OF THE STRUCTURE. IF MORE DIMENSIONS ARE NEEDED, USE THE SECTION DRAWINGS FOR MORE COMPLETE DEPICTIONS.

PICTURE WINDOW



GENERAL CUSTOM EPIC DH PICTURE NOTES

1. UNIT ELEVATIONS ARE SHOWN WITHOUT EXTERIOR TRIM.
2. DIMENSIONAL VALUES IN BRACKETS ARE MILLIMETER CONVERSIONS.

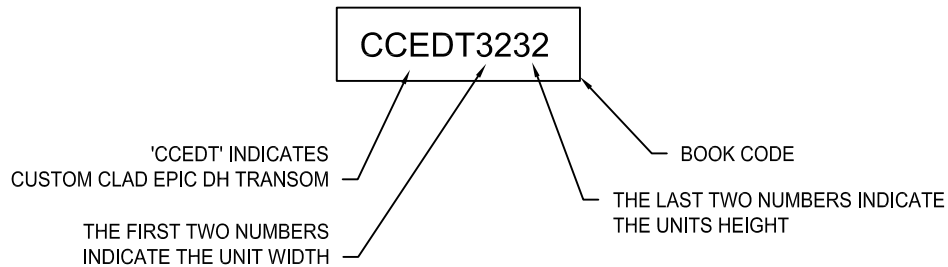
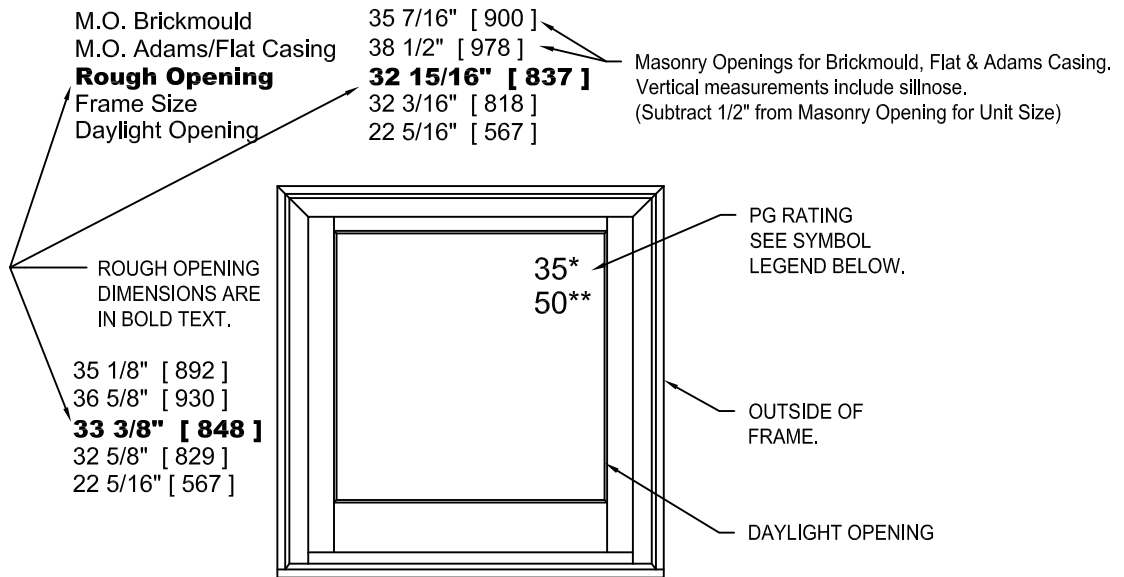
ELEVATION SYMBOL LEGEND:

- ##* NUMBER INDICATES DESIGN PRESSURE (DP) RATING WITH STANDARD GLAZING.
- ##** NUMBER INDICATES PERFORMANCE GRADE (PG) RATING WITH IMPACT DESIGN.

ELEVATION NOTES
TRANSOM UNITS

ELEVATION DRAWINGS UTILIZE A LIMITED NUMBER OF PROJECTED LINES TO PRODUCE A RUDIMENTARY DRAWING INTENDED TO BE USED IN A SMALL GRAPHICAL SCALE. ELEVATIONS ARE VIEWED PERPENDICULAR FROM THE EXTERIOR OF THE STRUCTURE. IF MORE DIMENSIONS ARE NEEDED, USE THE SECTION DRAWINGS FOR MORE COMPLETE DEPICTIONS.

TRANSOM WINDOW



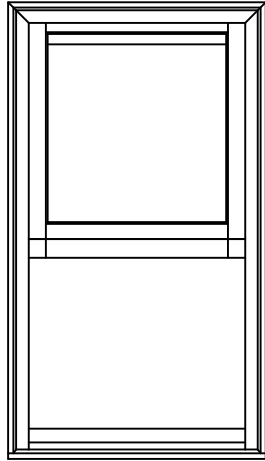
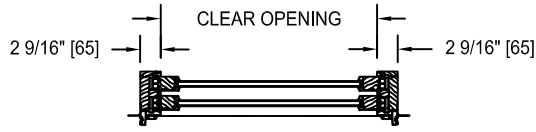
GENERAL CUSTOM EPIC DH TRANSOM NOTES

1. UNIT ELEVATIONS ARE SHOWN WITHOUT EXTERIOR TRIM.
2. DIMENSIONAL VALUES IN BRACKETS ARE MILLIMETER CONVERSIONS.

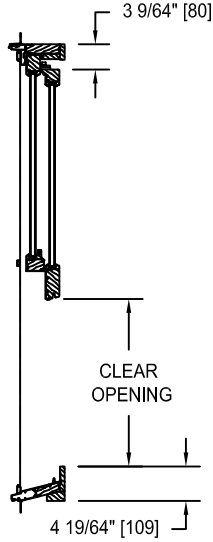
ELEVATION SYMBOL LEGEND:

- ##* NUMBER INDICATES PERFORMANCE GRADE (PG) RATING WITH STANDARD GLAZING.
- ##** NUMBER INDICATES PERFORMANCE GRADE (PG) RATING WITH IMPACT DESIGN.

CLEAR OPENING LAYOUT



DOUBLE HUNG WINDOW



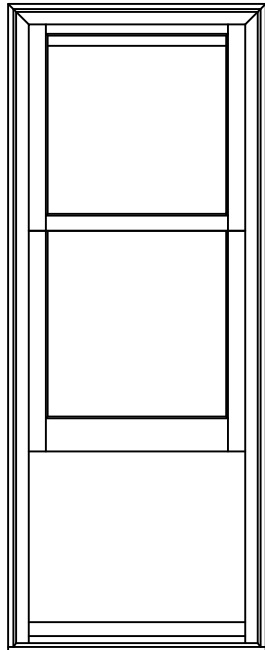
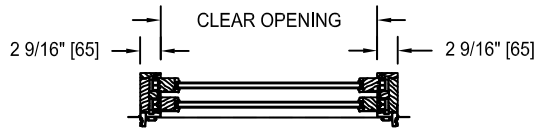
CLEAR OPENING FORMULAS

HORIZONTAL
Frame - 5 1/8" = Clear Opening

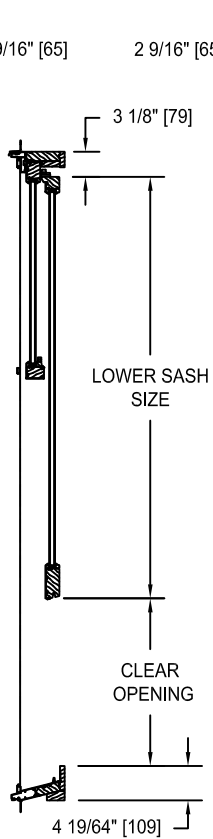
VERTICAL
Double Hung
Frame Height - (Lower Sash + 7 7/16") = Clear Opening

Cottage
Frame Height - (Lower Sash + 7 7/16") = Clear Opening

Reverse Cottage
Frame Height - (Upper Sash + 5 19/32") = Clear Opening



COTTAGE WINDOW



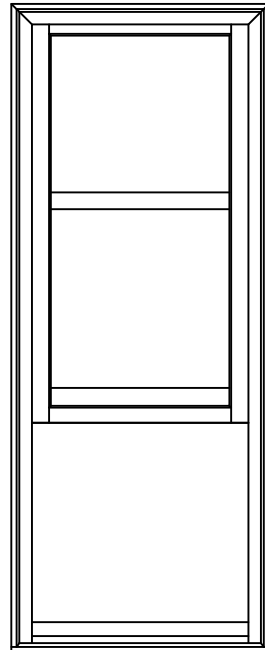
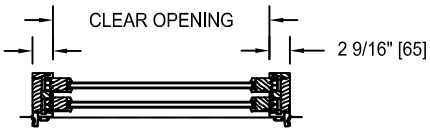
LOWER SASH SIZE

CLEAR OPENING

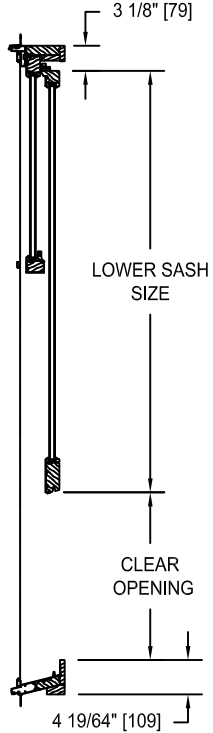
4 19/64" [109]

COTTAGE WINDOW

COTTAGE WINDOW



REVERSE COTTAGE WINDOW



UPPER SASH SIZE

CLEAR OPENING

4 19/64" [109]

REVERSE COTTAGE WINDOW

COTTAGE & REVERSE COTTAGE

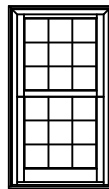
Consult the Design Data Tables for clear opening information. For dimensional units, contact Jeld-Wen - Bend Window Division Technical Services Department for Clear Opening information.

LITE CUT INFORMATION

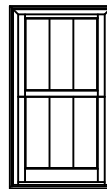
Custom Clad Epic double hung windows are available with removable grilles in 7/8", 1-1/8" and 1-3/8" widths, grilles between the glass (GBG), and Simulated Divided Lites. Standard lite cuts are rectangular, and conform to the layouts noted in the charts on the next page. To use the chart, refer to the appropriate table by the type of window and type of bars or grilles the section drawings illustrate. Then simply cross reference the frame Height and Width to determine the standard lite cut.

LITE CUT OPTIONS

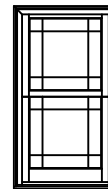
Special lite cut patterns can include a wide variety of straight line and radius patterns. The illustrations shown here represent just a few of the possibilities. Rectangular, horizontal, vertical and Prairie lite patterns are available in all standard size clad double hung windows. Uneven, diamond, radius and Gothic lite cuts are available, subject to approval. Approvals are based on the ability to fulfill the design requirement while maintaining the construction integrity of the finished product.



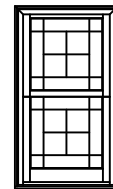
RECTANGULAR



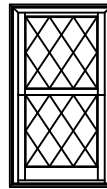
VERTICAL



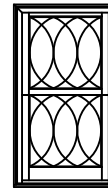
PRAIRIE



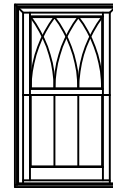
UNEVEN



DIAMOND



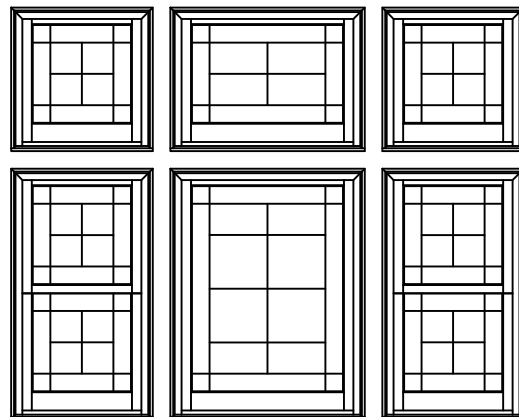
RADIUS



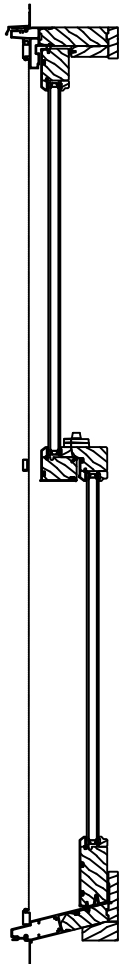
GOthic

BAR ALIGNMENT

Alignment of divided lite muntin bars from one window to the next is often required by fine architectural design. Wood grilles, grilles between the glass (GBG), and Simulated Divided Lites may be specified with muntin bars aligned.

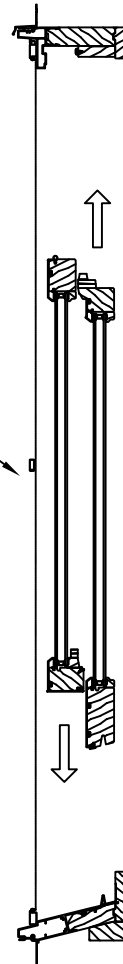


STANDARD OPERATION AND LIMITATIONS



DOUBLE HUNG OPERATION:
When the sash are locked at the check rails the sash are closed and sealed in the sash opening of the frame.

When the sash are unlocked the lower sash travels vertically to any position desired. The upper sash can also be positioned as desired.



Operation Restrictions

Glass Height	Sash Weight (lbs.)	Limited Sash Travel	Fixed Upper Sash
20"	50-67	6"	
21"	50-67	6"	
22"	52-67	7"	
23"	54-67	7"	
24"	54-67	8"	
25"	54-67	8"	
26"	54-67	9"	
27"	54-67	9"	
28"	60-71	10"	
29"	60-71	10"	
30"	60-71	11"	
31"	60-71	11"	
32"	60-71	12"	
33"	60-71	12"	
34"	61-71	13"	
35"	61-71	13"	
36"	64-75	14"	
37"	64-75	14"	
38"	64-75	15"	
39"	64-75	15"	
40"	64-75	16"	
41"	64-75	16"	
42"	64-75	17"	
43"	64-75	17"	
44"	64-75	18"	
45"	64-79	18"	X
46"	64-79	19"	X
47"	64-79	19"	X
48"	64-79	20"	X
49"	64-79	20"	X
50"	64-79	20"	X
51"	64-79	21"	X
52"	64-79	22"	X
53"	64-79	22"	X

DOUBLE HUNG OPERATION RESTRICTIONS:

The above table reflects the amount of limited sash travel based on the glass height and the weight of the sash with standard insulated glass. The balance is adjusted in the jambliner to reduce the operation of the lower sash by the amount shown.

When any sash has a weight of 79 lbs or greater the upper sash will be fixed. On impact units, upper sash is fixed in place with shoot bolts. Shoot bolts must be released for upper sash to operate. Shoot bolt must be engaged to provide impact security.

UNIT SIZING, ROUGH OPENINGS & MASONRY OPENINGS

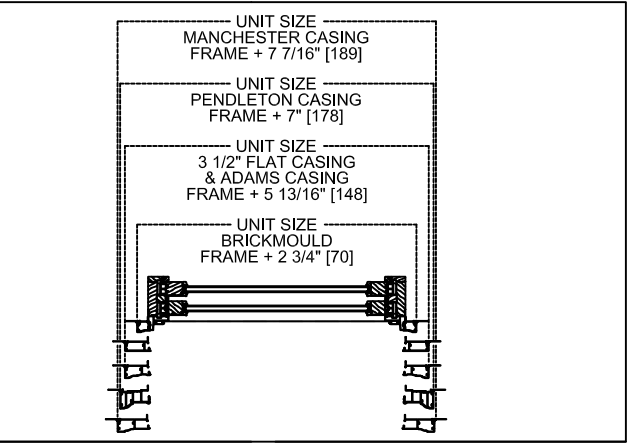
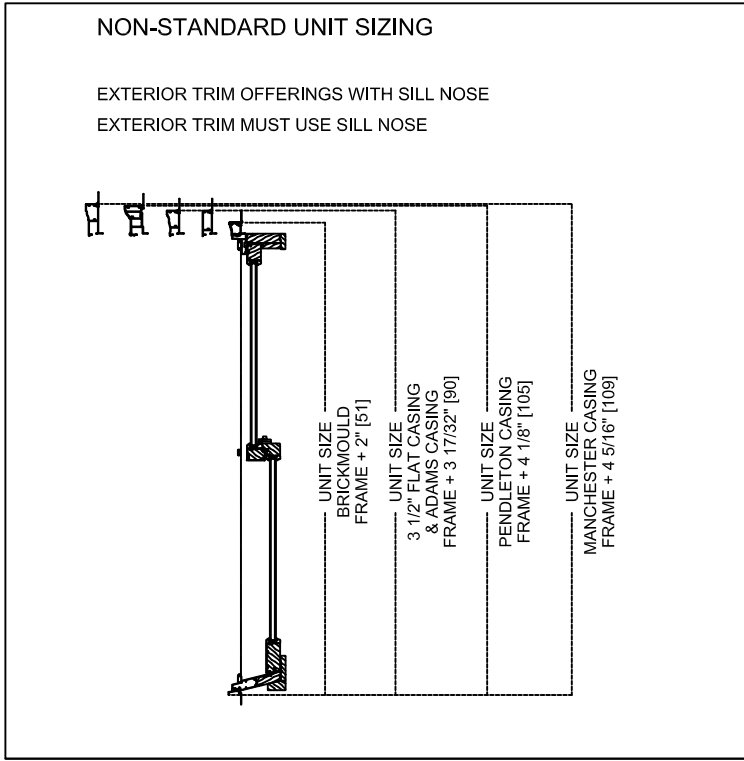
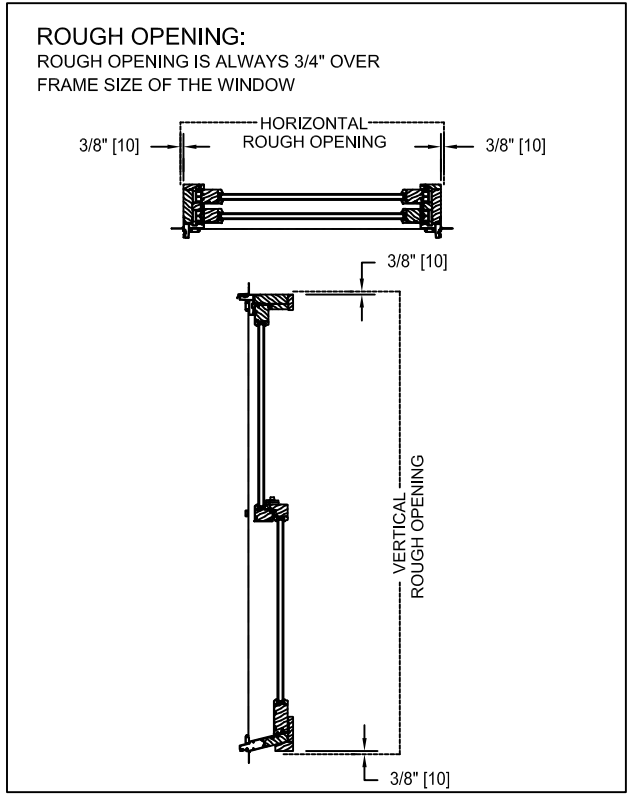
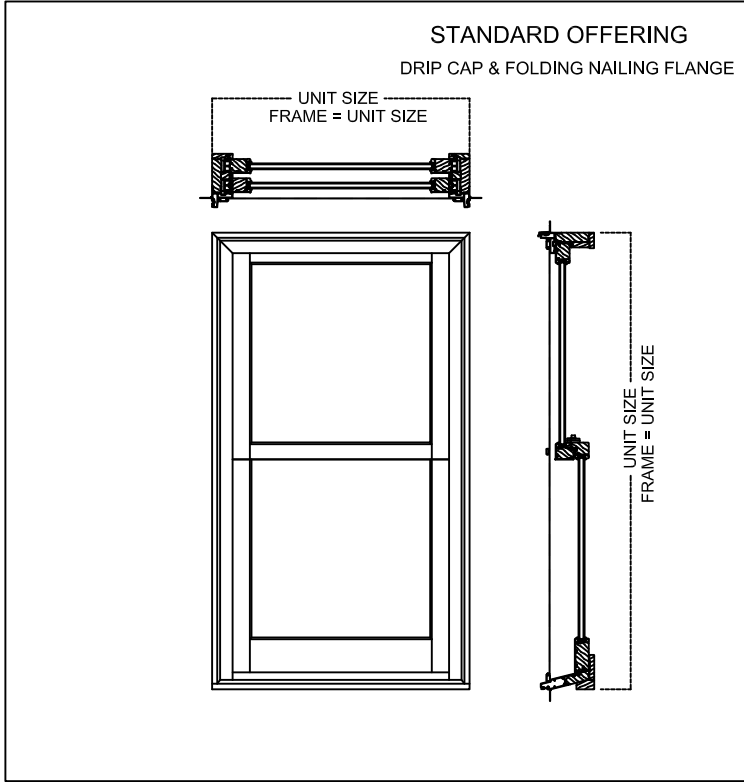
GENERAL NOTES:

UNITS WITH NO TRIM AND SILL NOSE:
UNIT SIZE = FRAME SIZE

UNIT SIZE IS ALWAYS THE
EXTREME SIZE OF THE WINDOW
WITH OR WITHOUT TRIM
(DRIP CAP & NAILING FLANGE ARE
NOT ADDED TO ANY UNIT SIZING)

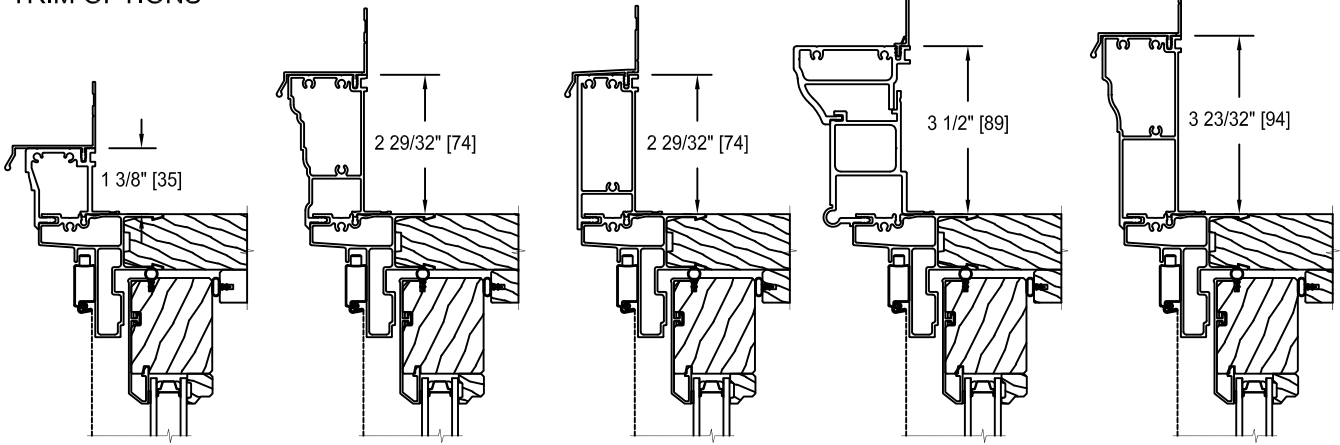
MASONRY OPENING:
MASONRY OPENING IS ALWAYS 1/2" OVER
THE UNIT SIZE OF THE WINDOW

ROUGH OPENING:
ROUGH OPENING IS ALWAYS 3/4" OVER
FRAME SIZE OF THE WINDOW



TRIM OPTIONS

TRIM OPTIONS



BRICKMOULD CASING

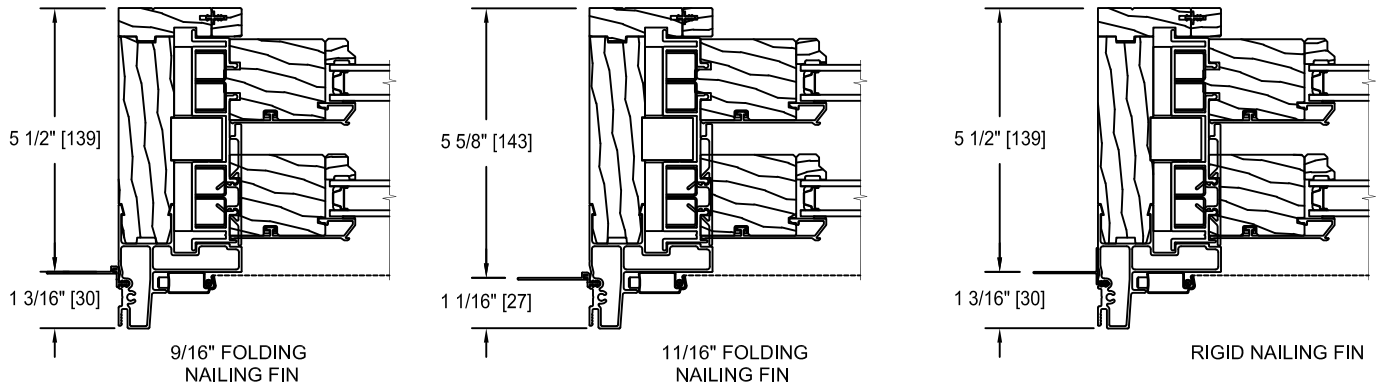
ADAMS CASING

3 1/2" FLAT CASING

PENDLETON CASING

MANCHESTER CASING

NAIL FIN OPTIONS

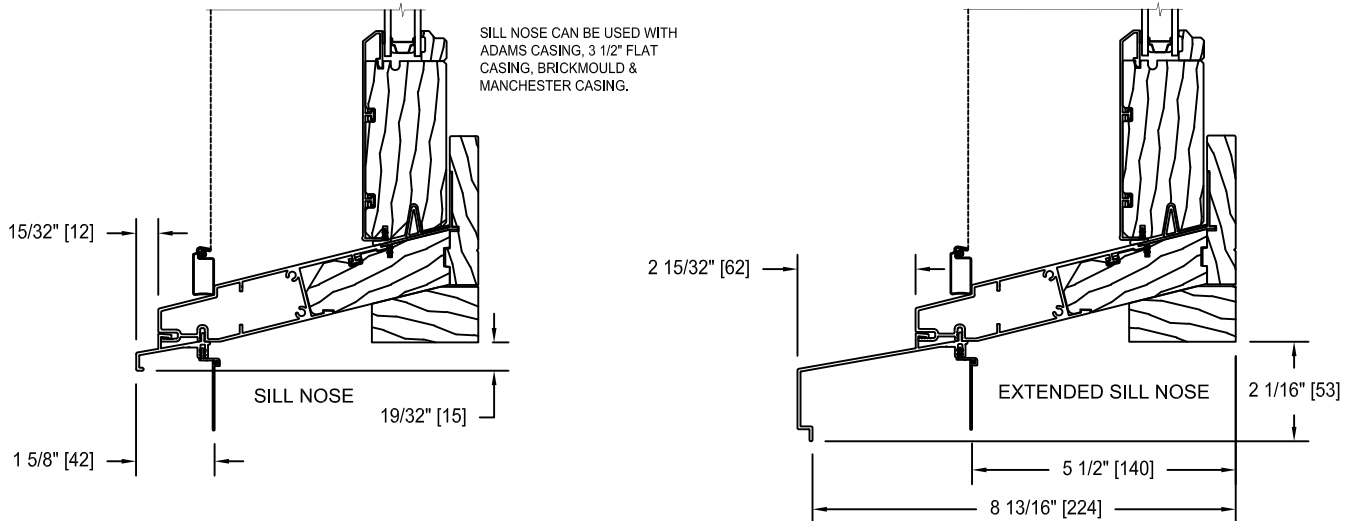


9/16" FOLDING NAILING FIN

11/16" FOLDING NAILING FIN

RIGID NAILING FIN

SILL NOSE OPTIONS

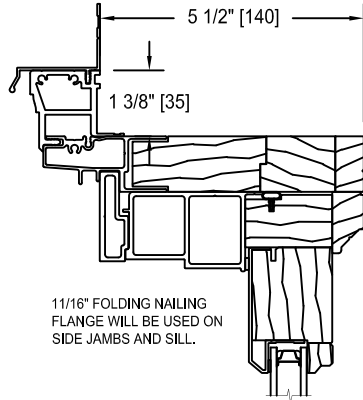


SILL NOSE

EXTENDED SILL NOSE

TRIM OPTIONS

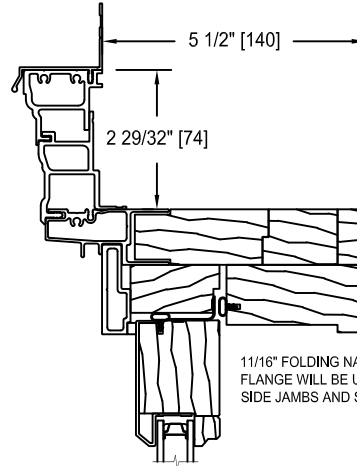
RADIUS PICTURE/TRANSOM
HEAD JAMB



11/16" FOLDING NAILING
FLANGE WILL BE USED ON
SIDE JAMBS AND SILL.

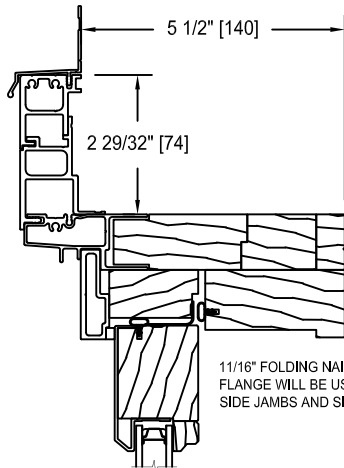
RADIUS
BRICKMOULD

RADIUS SINGLE HUNG
HEAD JAMB



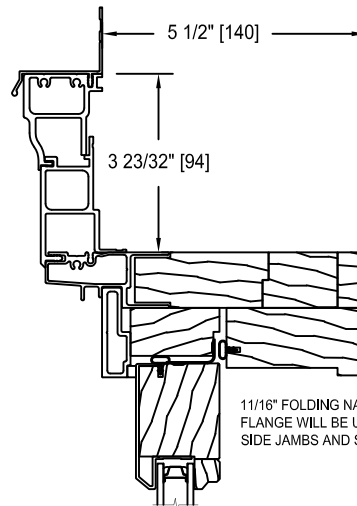
11/16" FOLDING NAILING
FLANGE WILL BE USED ON
SIDE JAMBS AND SILL.

RADIUS 2-PIECE
ADAMS CASING



11/16" FOLDING NAILING
FLANGE WILL BE USED ON
SIDE JAMBS AND SILL.

RADIUS 2-PIECE
FLAT CASING

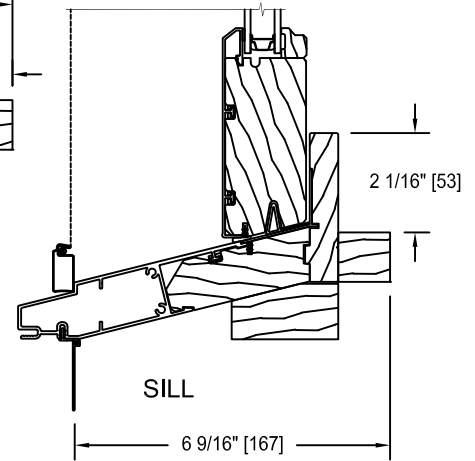
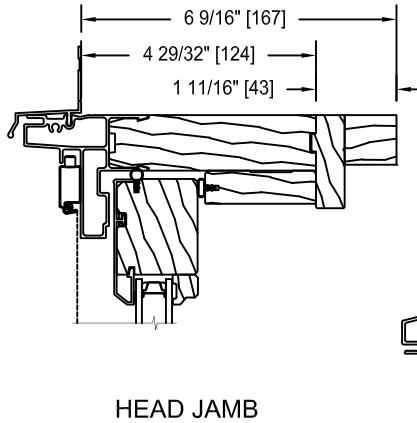
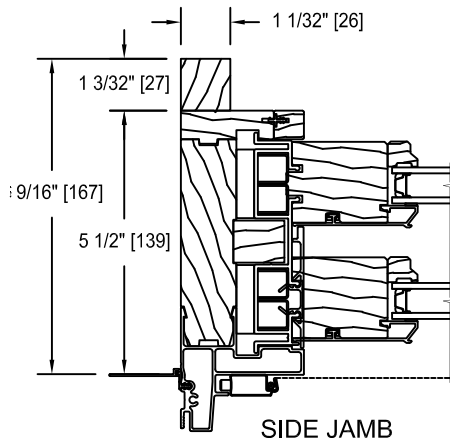


11/16" FOLDING NAILING
FLANGE WILL BE USED ON
SIDE JAMBS AND SILL.

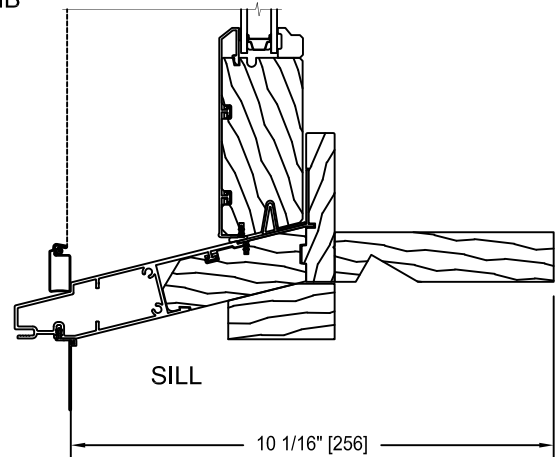
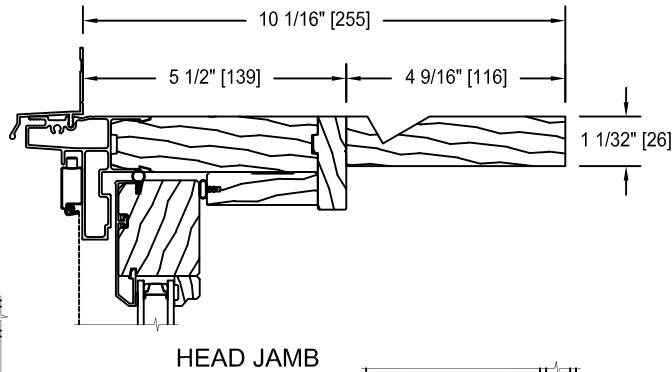
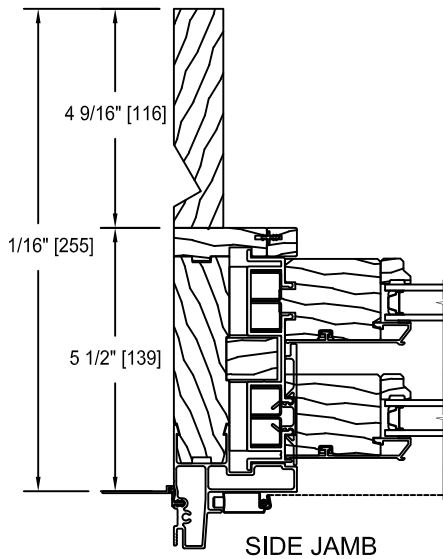
MANCHESTER
CASING

JAMB EXTENDER OPTIONS

6 9/16" WALL
STANDARD 5/4 JAMB EXTENDER (CUTBACK)

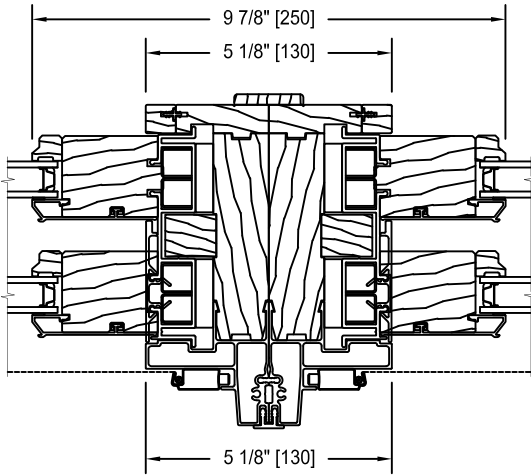


MAXIMUM JAMB WIDTH
STANDARD 5/4 JAMB EXTENDER

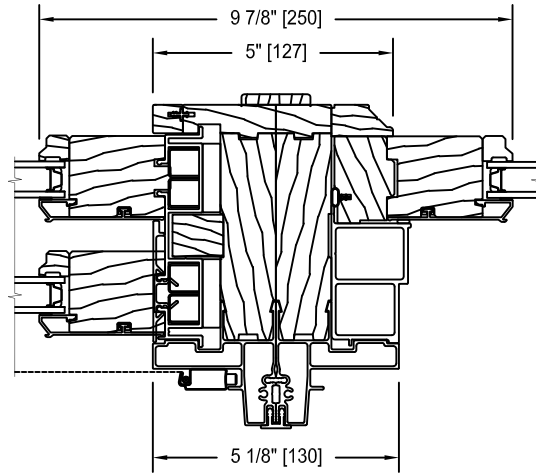


STANDARD MULLION DETAILS

HORIZONTAL MULLION

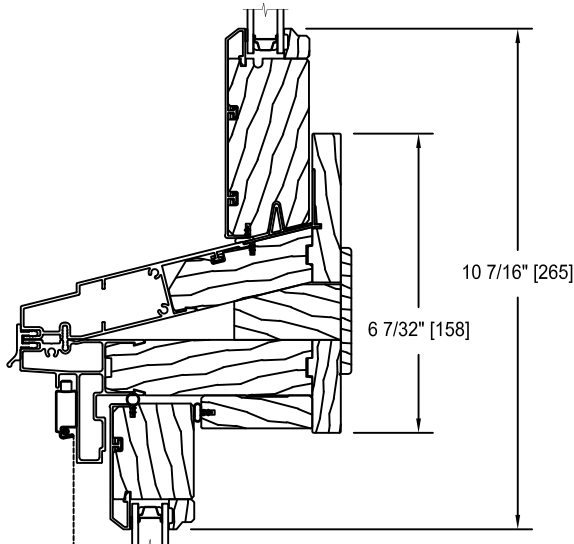


DOUBLE HUNG NEXT
TO A DOUBLE HUNG



DOUBLE HUNG NEXT
TO A PICTURE UNIT

VERTICAL MULLION

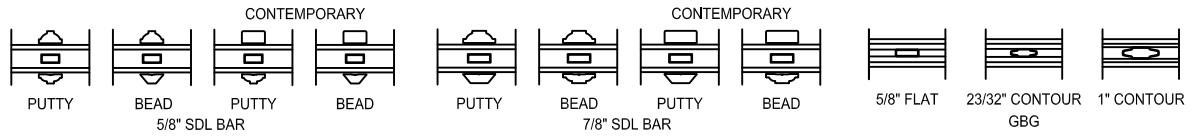
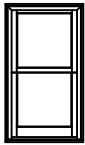


TRANSOM OVER
A DOUBLE HUNG

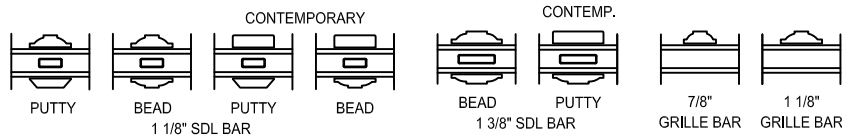
TRANSOM MULLING NOTE:
Transom units are assembled with the side jamb of the Transom unit flush with the head jamb of the lower unit. The overall vertical frame height of the mullied units is equal to the frame height of the lower unit and the upper unit added together.

DESIGN DATA TABLE
DOUBLE-HUNG - CCED

DOUBLE HUNG WINDOWS - CCED



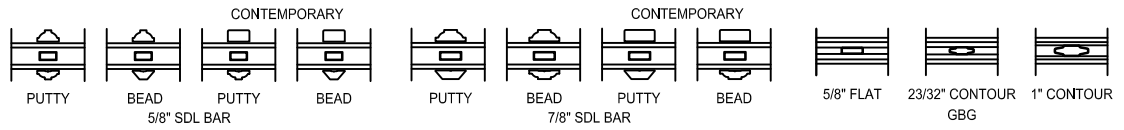
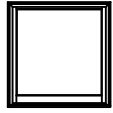
CCED		Frame Height				
		57	81	105	129	
Frame Width	32	32 3/16	3W 3H	3W 4H	3W 5H	3W 6H
	44	44 3/16	4W 3H	4W 4H	4W 5H	4W 6H
	56	56 3/16	5W 3H	5W 4H	5W 5H	5W 6H
	68	68 3/16	6W 3H	6W 4H	6W 5H	N/A



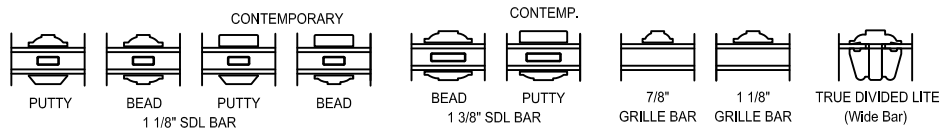
CCED		Frame Height				
		57	81	105	129	
Frame Width	32	32 3/16	2W 2H	2W 3H	2W 4H	2W 5H
	44	44 3/16	3W 2H	3W 3H	3W 4H	3W 5H
	56	56 3/16	4W 2H	4W 3H	4W 4H	4W 5H
	68	68 3/16	5W 2H	5W 3H	5W 4H	N/A

DESIGN DATA TABLE
PICTURE - CCEDP AND TRANSOM - CCEDT

PICTURE WINDOWS - CCEDP

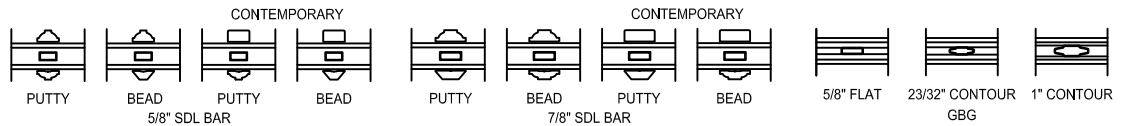
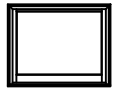


CCEDP		Frame Height				
		57	81	105	129	
Frame Width	32	32 3/16	3W 6H	3W 8H	3W 10H	3W 12H
	44	44 3/16	4W 6H	4W 8H	4W 10H	4W 12H
	56	56 3/16	5W 6H	5W 8H	5W 10H	5W 12H
	68	68 3/16	6W 6H	6W 8H	6W 10H	N/A

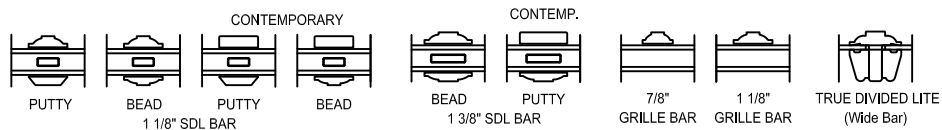


CCEDP		Frame Height				
		57	81	105	129	
Frame Width	32	32 3/16	2W 6H	2W 8H	2W 10H	2W 12H
	44	44 3/16	3W 6H	3W 8H	3W 10H	3W 12H
	56	56 3/16	4W 6H	4W 8H	4W 10H	4W 12H
	68	68 3/16	5W 6H	5W 8H	5W 10H	N/A

TRANSOM WINDOWS - CCEDT



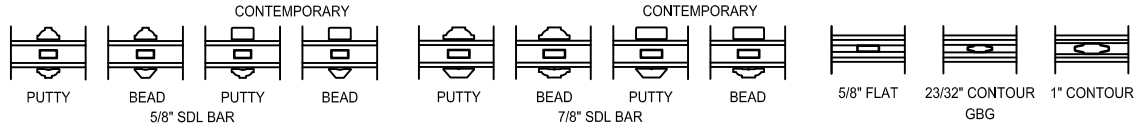
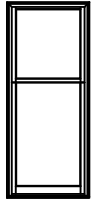
CCEDT		Frame Height				
		32	44	56	68	
Frame Width	32	32 3/16	3W 3H	3W 4H	3W 5H	3W 6H
	44	44 3/16	4W 3H	4W 4H	4W 5H	4W 6H
	56	56 3/16	5W 3H	5W 4H	5W 5H	5W 6H
	68	68 3/16	6W 3H	6W 4H	6W 5H	6W 6H



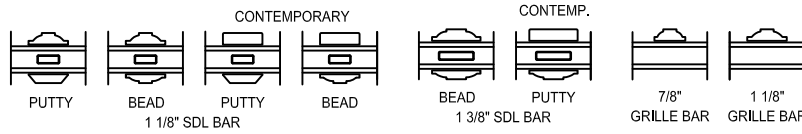
CCEDT		Frame Height				
		32	44	56	68	
Frame Width	32	32 3/16	2W 2H	2W 3H	2W 4H	2W 5H
	44	44 3/16	3W 2H	3W 3H	3W 4H	3W 5H
	56	56 3/16	4W 2H	4W 3H	4W 4H	4W 5H
	68	68 3/16	5W 2H	5W 3H	5W 4H	5W 5H

LITE CUT TABLES
COTTAGE AND REVERSE COTTAGE DOUBLE-HUNG - CCED

COTTAGE DOUBLE HUNG - CCED

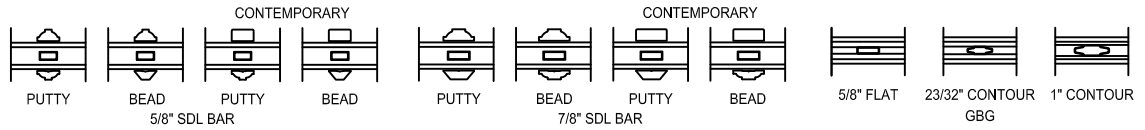
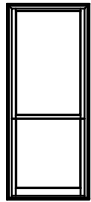


CCED		Frame Height			
		81C47		105C59	
Frame Width	32	32 3/16	3W 3H 5H	3W 4H 6H	
	44	44 3/16	4W 3H 5H	4W 4H 6H	
	56	56 3/16	5W 3H 5H	5W 4H 6H	
	68	68 3/16	6W 3H 5H	6W 4H 6H	

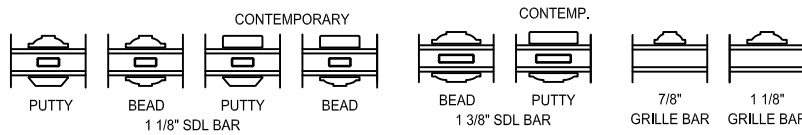


CCED		Frame Height			
		81C47		105C59	
Frame Width	32	32 3/16	2W 2H 4H	2W 3H 5H	
	44	44 3/16	3W 2H 4H	3W 3H 5H	
	56	56 3/16	4W 2H 4H	4W 3H 5H	
	68	68 3/16	5W 2H 4H	5W 3H 5H	

REVERSE COTTAGE DOUBLE HUNG - CCED



CCED		Frame Height			
		81R23		105R35	
Frame Width	32	32 3/16	3W 5H 3H	3W 6H 4H	
	44	44 3/16	4W 5H 3H	4W 6H 4H	
	56	56 3/16	5W 5H 3H	5W 6H 4H	
	68	68 3/16	6W 5H 3H	6W 6H 4H	



CCED		Frame Height			
		81R23		105R35	
Frame Width	32	32 3/16	2W 5H 3H	2W 6H 4H	
	44	44 3/16	3W 5H 3H	3W 6H 4H	
	56	56 3/16	4W 5H 3H	4W 6H 4H	
	68	68 3/16	5W 5H 3H	5W 6H 4H	

OPERATING UNIT DESIGN DATA

Double Hung Units							
Unit Book Code	Frame Width	Frame Height	Square Feet of Clear Opening	Clear Opening Width Inches	Clear Opening Height Inches	Square Feet of Daylight Opening Upr Sash	Square Feet of Daylight Opening Lwr Sash
CCED3257	32.19	57.06	3.92	27.06	20.88	3.46	3.46
E CCED3281	32.19	81.06	6.18	27.06	32.88	5.32	5.32
CCED32105	32.19	105.06	4.86	27.06	(R)(F) 25.88	7.18	7.18
E CCED32129	32.19	129.06	6.55	27.06	(R)(F) 34.88	9.04	9.04
CCED4457	44.19	57.06	5.66	39.06	20.88	5.32	5.32
E CCED4481	44.19	81.06	8.92	39.06	32.88	8.18	8.18
E CCED44105	44.19	105.06	7.02	39.06	(R)(F) 25.88	11.04	11.04
E CCED44129	44.19	129.06	9.46	39.06	(R)(F) 34.88	13.89	13.89
CCED5657	56.19	57.06	7.40	51.06	20.88	7.18	7.18
E CCED5681	56.19	81.06	11.66	51.06	32.88	11.04	11.04
E CCED56105	56.19	105.06	9.18	51.06	(R)(F) 25.88	14.89	14.89
E CCED56129	56.19	129.06	12.37	51.06	(R)(F) 34.88	18.75	18.75
CCED6857	68.19	57.06	9.14	63.06	20.88	9.04	9.04
E CCED6881	68.19	81.06	14.40	63.06	32.88	13.89	13.89
CCED68105	68.19	105.06	N/A	N/A	(S) N/A	18.75	18.75
CCED68129	68.19	129.06	N/A	N/A	(S) N/A	23.59	23.59

Cottage Units							
Unit Book Code	Frame Width	Frame Height	Square Feet of Clear Opening	Clear Opening Width Inches	Clear Opening Height Inches	Square Feet of Daylight Opening Upr Sash	Square Feet of Daylight Opening Lwr Sash
CCED3281C47	32.19	81.06	3.92	27.06	20.88	3.46	7.18
CCED4481C47	44.19	81.06	5.66	39.06	20.88	5.32	11.04
CCED5681C47	56.19	81.06	7.40	51.06	20.88	7.18	14.89
CCED6881C47	68.19	81.06	9.14	63.06	20.88	9.04	18.75
E CCED32105C59	32.19	105.06	6.18	27.06	30.47	5.32	9.04
E CCED44105C59	44.19	105.06	8.92	39.06	30.47	8.18	13.89
E CCED56105C59	56.19	105.06	11.66	51.06	30.47	11.04	18.75
CCED68105C59	68.19	105.06	N/A	N/A	(S) N/A	13.89	23.61

Reverse Cottage Units							
Unit Book Code	Frame Width	Frame Height	Square Feet of Clear Opening	Clear Opening Width Inches	Clear Opening Height Inches	Square Feet of Daylight Opening Upr Sash	Square Feet of Daylight Opening Lwr Sash
CCED3281R23	32.19	81.06	4.60	27.06	24.94	7.18	3.46
E CCED4481R23	44.19	81.06	6.64	39.06	24.94	11.04	5.32
CCED5681R23	56.19	81.06	N/A	N/A	(S) N/A	14.89	7.18
CCED6881R23	68.19	81.06	N/A	N/A	(S) N/A	18.75	9.04
E CCED32105R35	32.19	105.06	6.85	27.06	36.94	9.04	5.32
E CCED44105R35	44.19	105.06	9.89	39.06	36.94	13.89	8.18
CCED56105R35	56.19	105.06	N/A	N/A	(S) N/A	18.75	11.04
CCED68105R35	68.19	105.06	N/A	N/A	(S) N/A	23.61	13.89

E Basic Unit Clear Opening exceeds 20" in width, 24" in height & a minimum of 5.7 square feet.

(R) Due to basic unit size, units sash travel will be restricted.

(F) Due to basic unit size, units sash travel will be restricted, and the upper sash will be fixed.

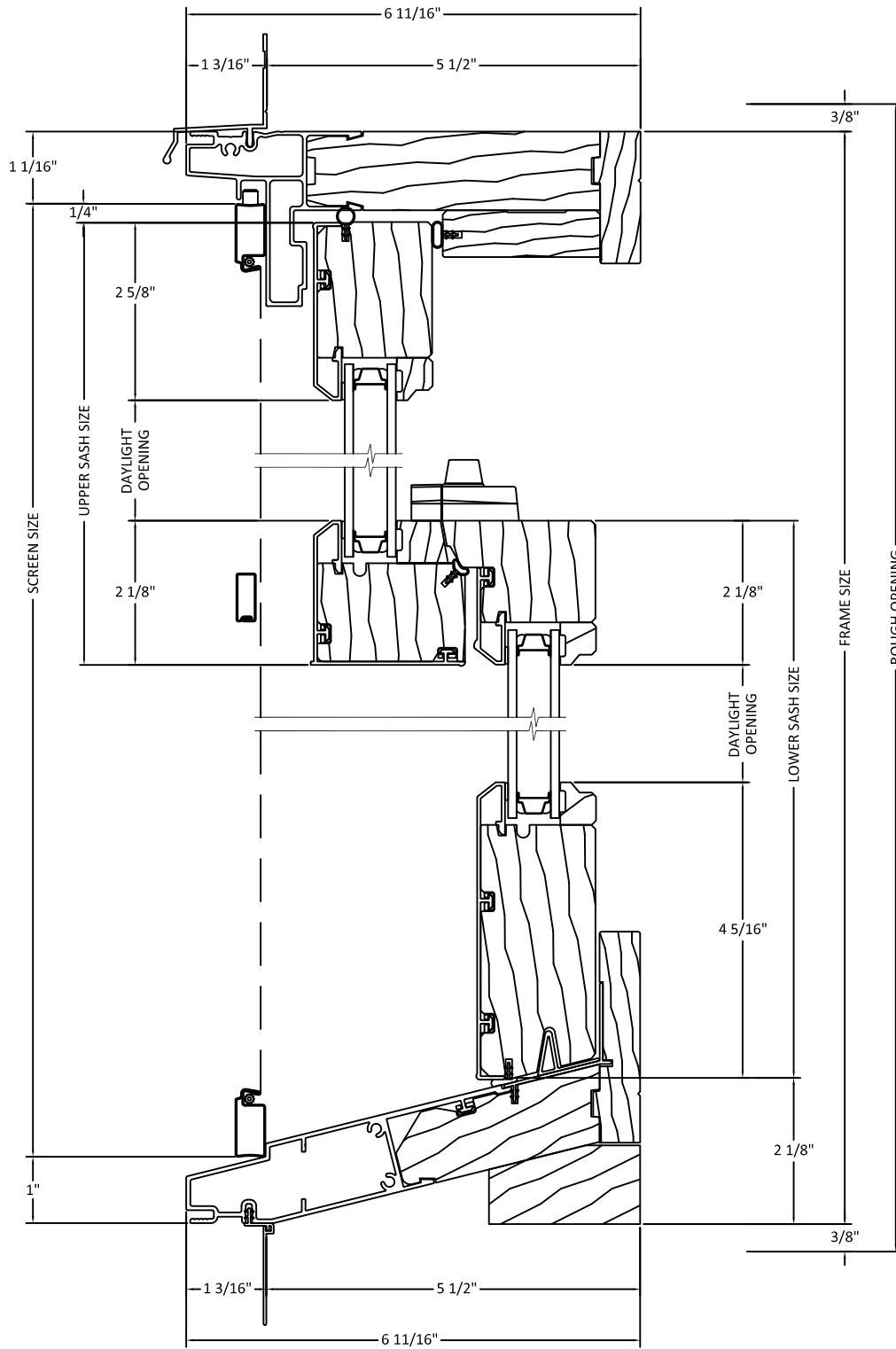
(S) Both sash are fixed.

PICTURE & TRANSOM
DAYLIGHT OPENING DATA

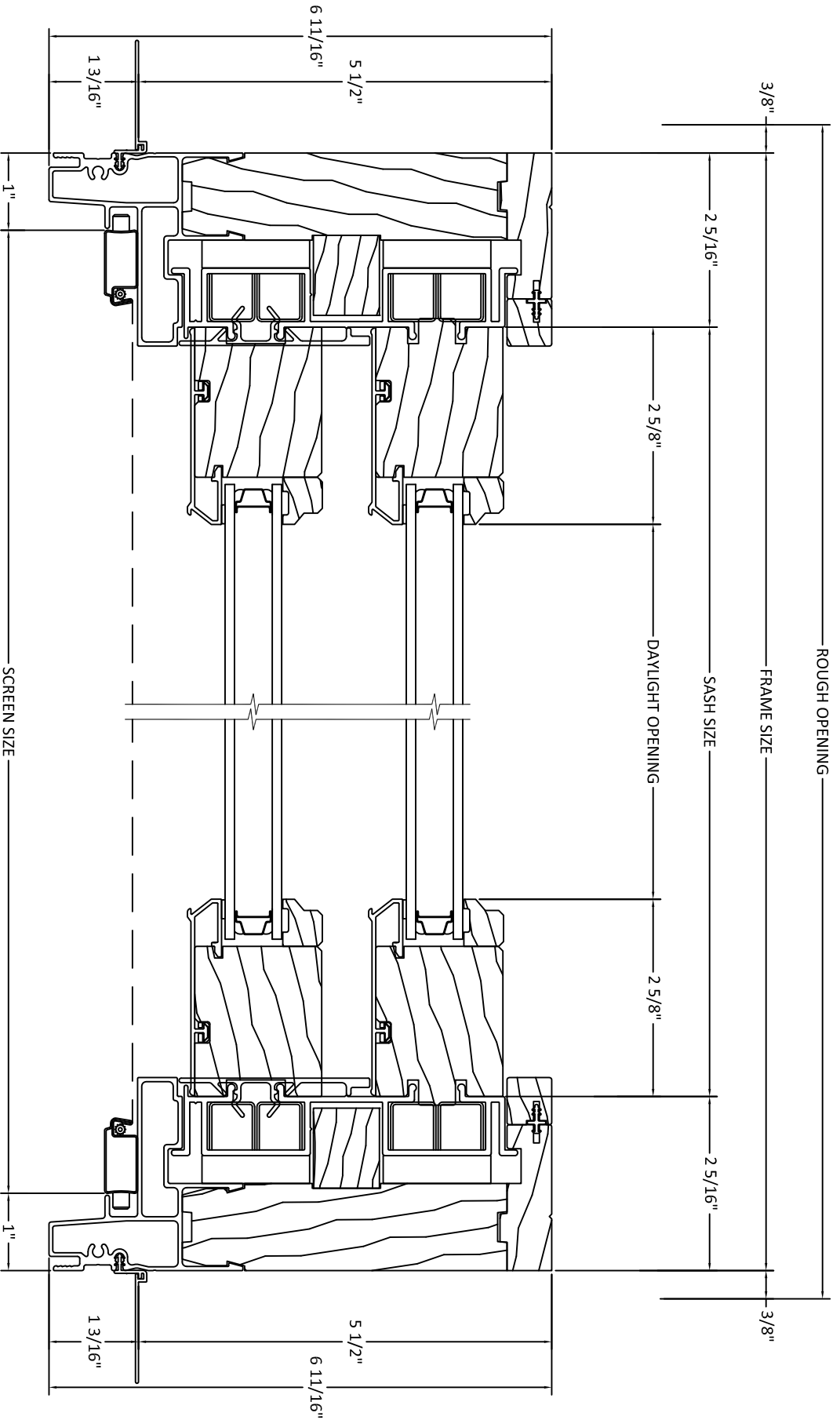
Picture Units			
Unit Book Code	Frame Width	Frame Height	Square Feet of Daylight Opening
CCEDP3257	32.19	57.06	7.24
CCEDP3281	32.19	81.06	10.96
CCEDP32105	32.19	105.06	14.68
CCEDP32129	32.19	129.06	18.40
CCEDP4457	44.19	57.06	11.14
CCEDP4481	44.19	81.06	16.86
CCEDP44105	44.19	105.06	22.58
CCEDP44129	44.19	129.06	28.30
CCEDP5657	56.19	57.06	15.04
CCEDP5681	56.19	81.06	22.75
CCEDP56105	56.19	105.06	30.47
CCEDP56129	56.19	129.06	38.19
CCEDP6857	68.19	57.06	18.93
CCEDP6881	68.19	81.06	28.65
CCEDP68105	68.19	105.06	38.37
CCEDP68129	68.19	129.06	43.96

Transom Units			
Unit Book Code	Frame Width	Frame Height	Square Feet of Daylight Opening
CCEDT3232	32.19	32.63	3.46
CCEDT3244	32.19	44.63	5.32
CCEDT3256	32.19	56.63	7.18
CCEDT3268	32.19	68.63	9.04
CCEDT4432	44.19	32.63	5.32
CCEDT4444	44.19	44.63	8.18
CCEDT4456	44.19	56.63	11.04
CCEDT4468	44.19	68.63	13.89
CCEDT5632	56.19	32.63	7.18
CCEDT5644	56.19	44.63	11.04
CCEDT5656	56.19	56.63	14.89
CCEDT5668	56.19	68.63	18.75
CCEDT6832	68.19	32.63	9.04
CCEDT6844	68.19	44.63	13.89
CCEDT6856	68.19	56.63	18.75
CCEDT6868	68.19	68.63	23.61

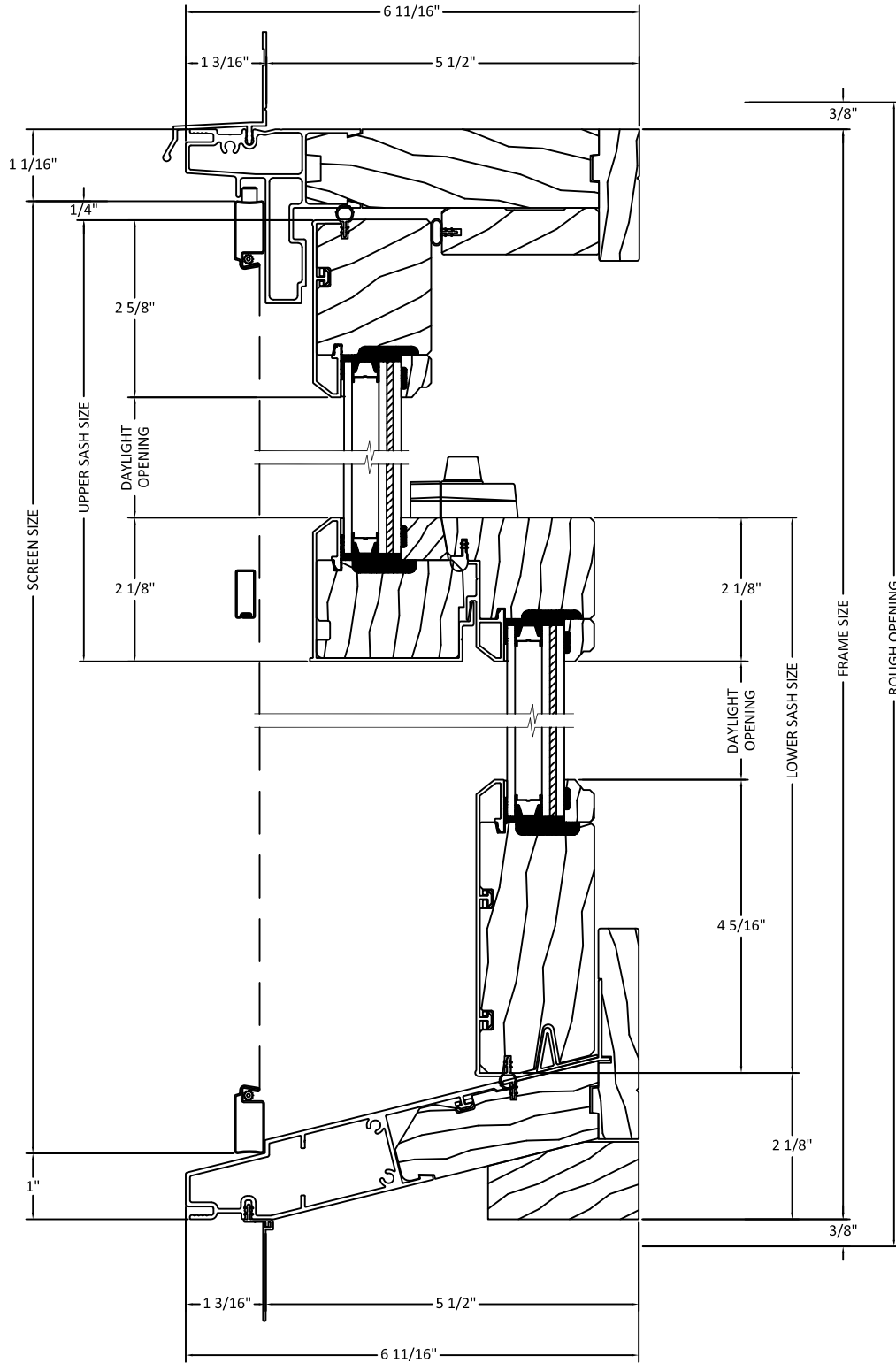
VERTICAL SECTION
OPERATING UNIT



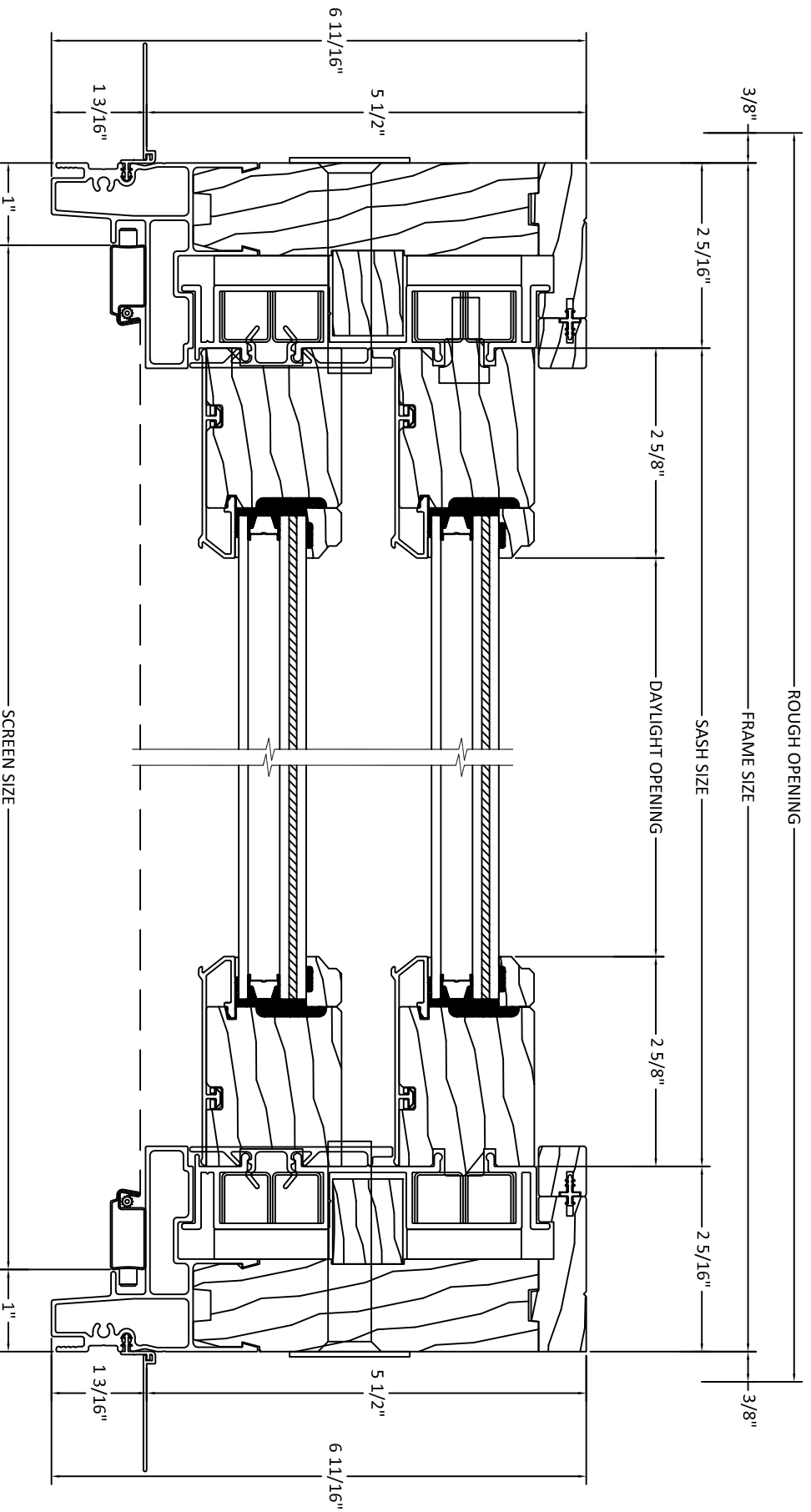
HORIZONTAL SECTION
OPERATING UNIT



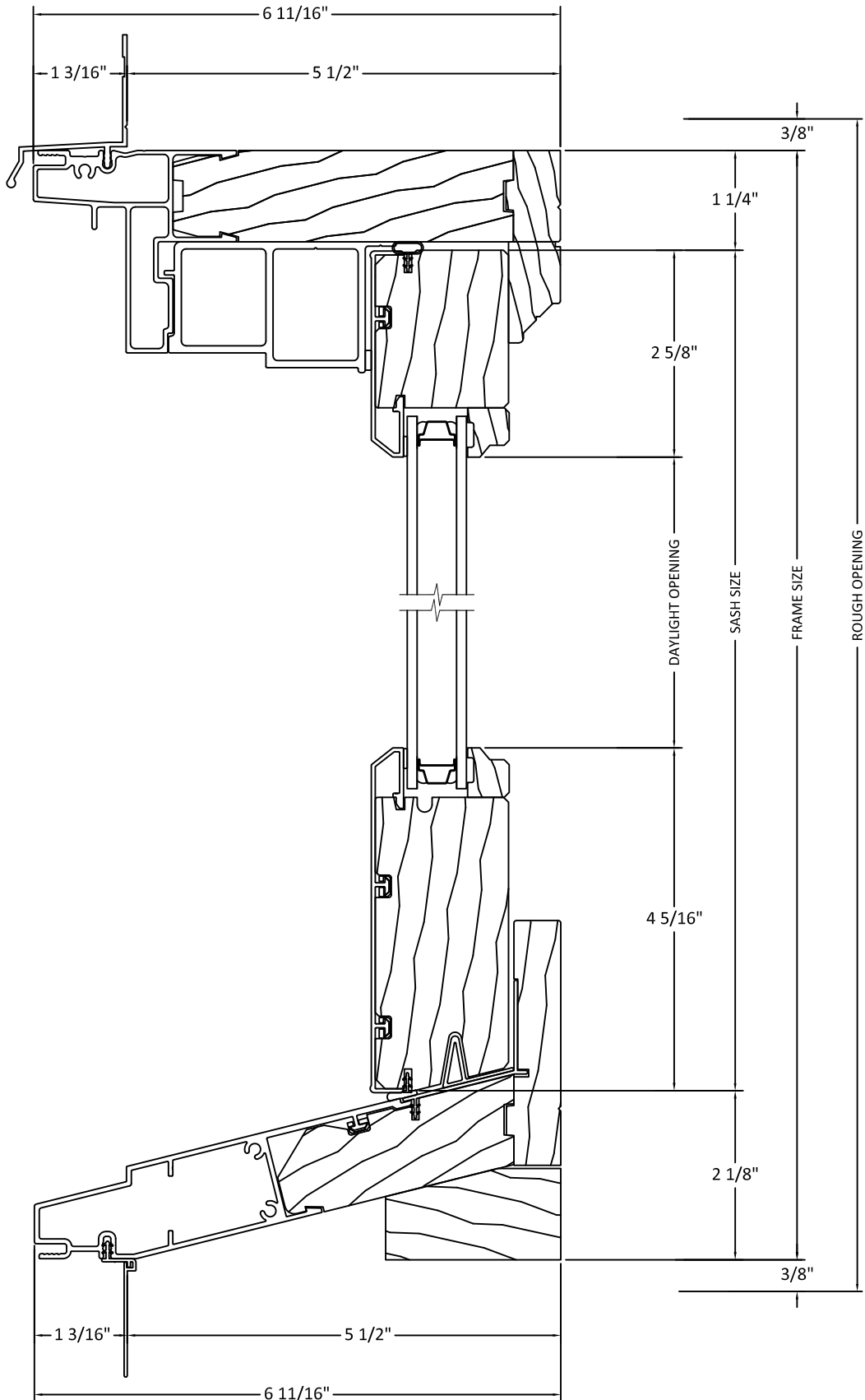
VERTICAL SECTION
IMPACT RESISTANT OPERATING UNIT



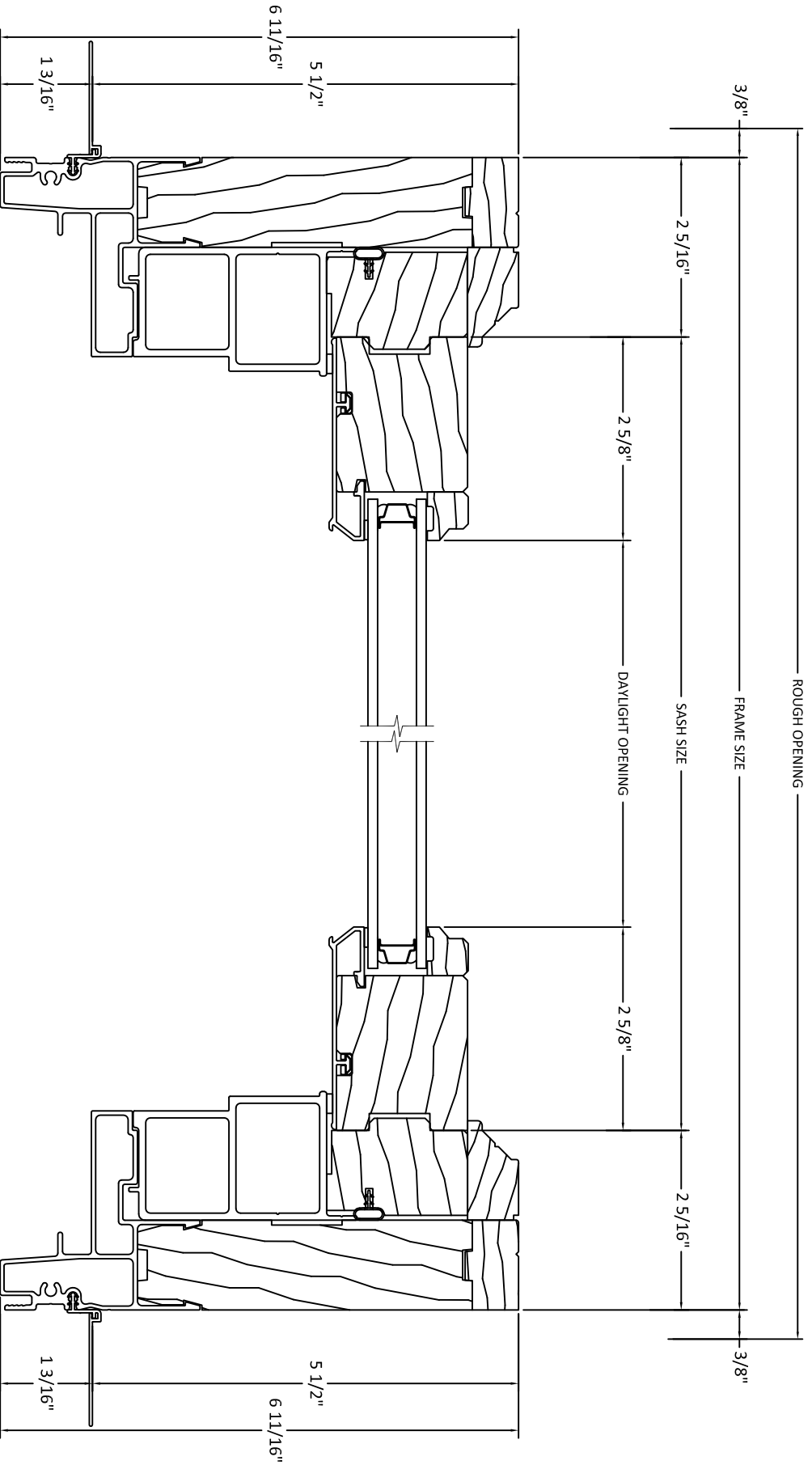
HORIZONTAL SECTION
IMPACT RESISTANT OPERATOR UNIT



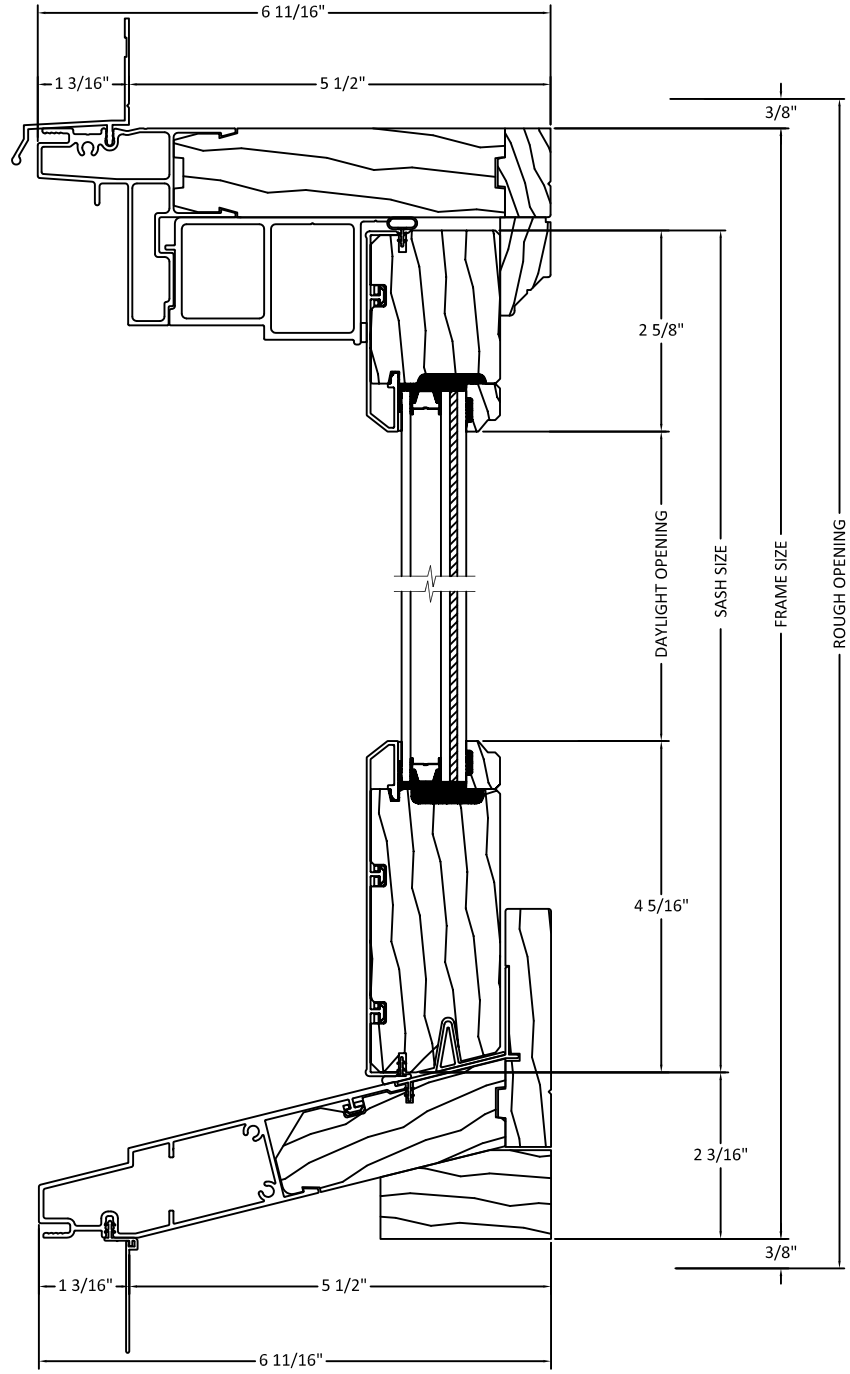
VERTICAL SECTION
PICTURE UNIT



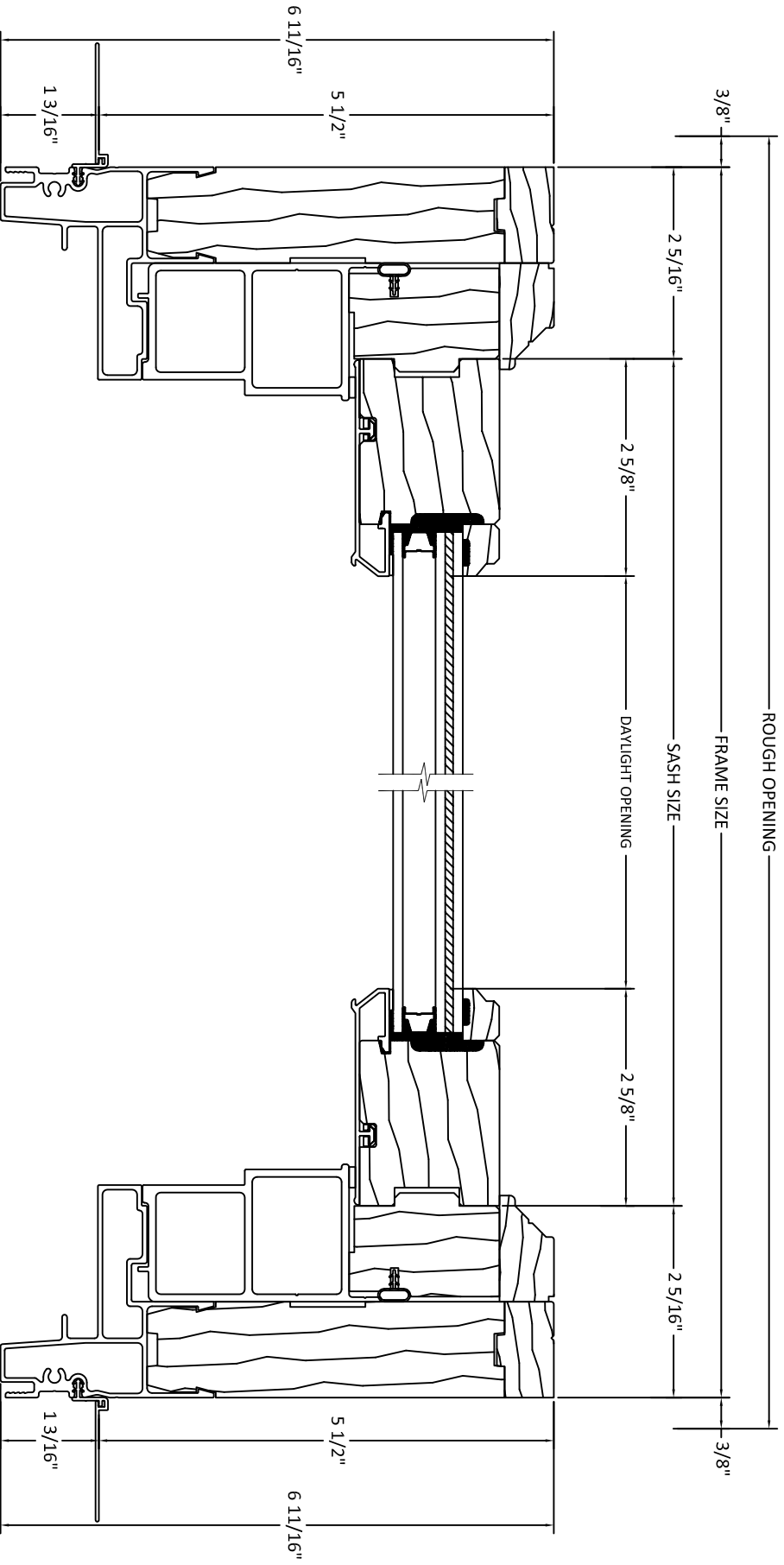
HORIZONTAL SECTION
PICTURE UNIT



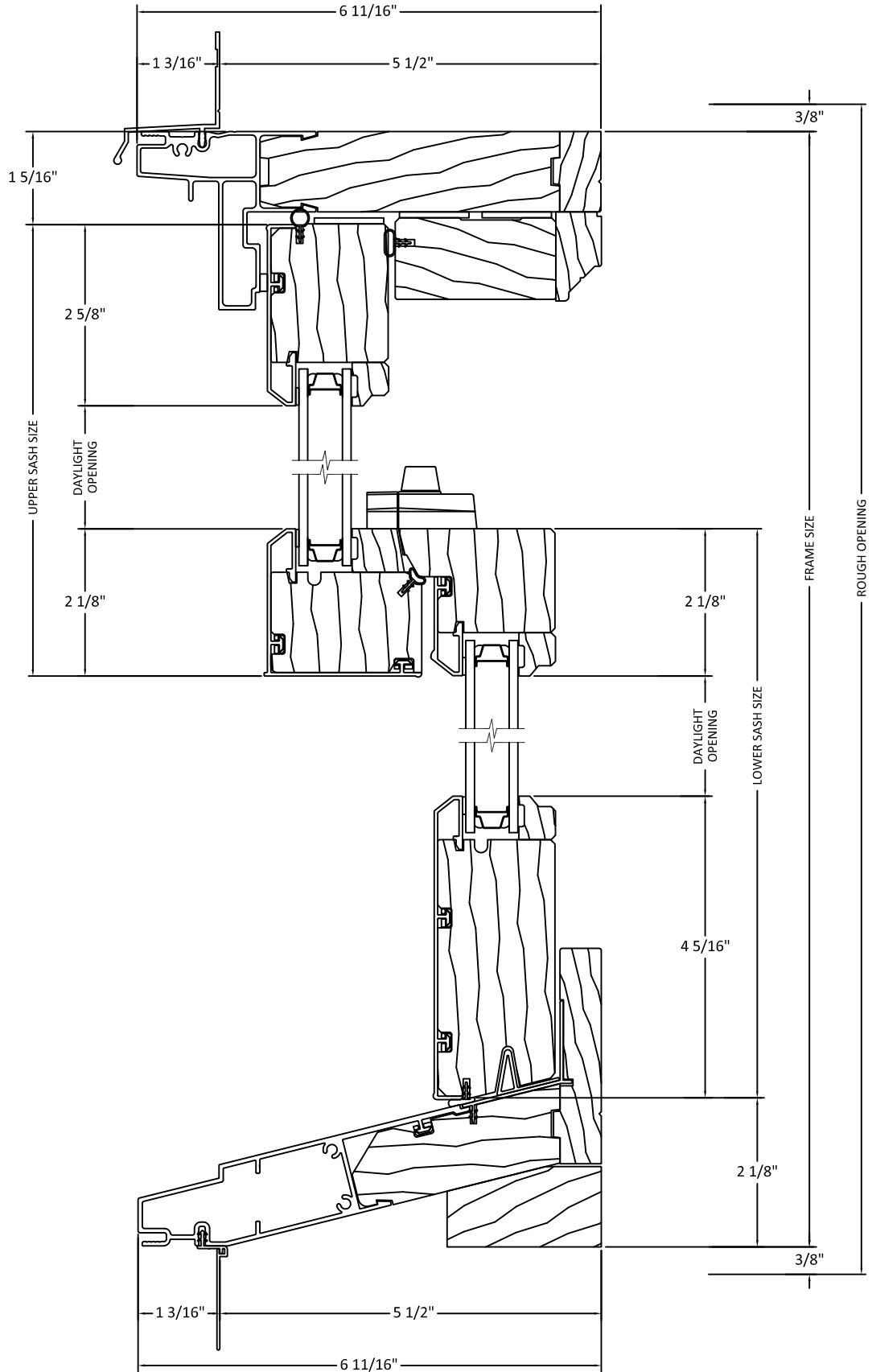
VERTICAL SECTION
IMPACT RESISTANT PICTURE UNIT



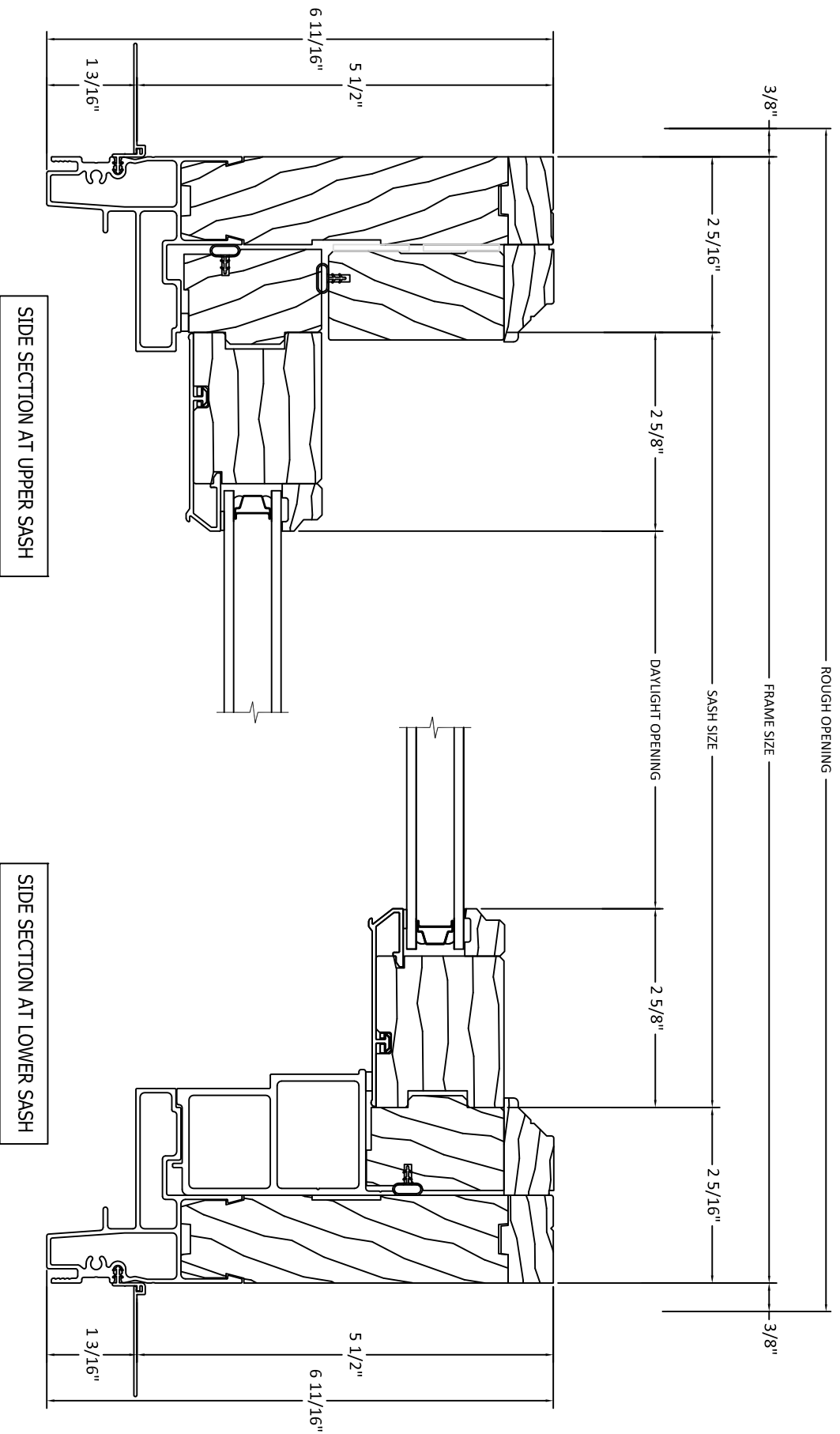
HORIZONTAL SECTION
IMPACT RESISTANT PICTURE UNIT



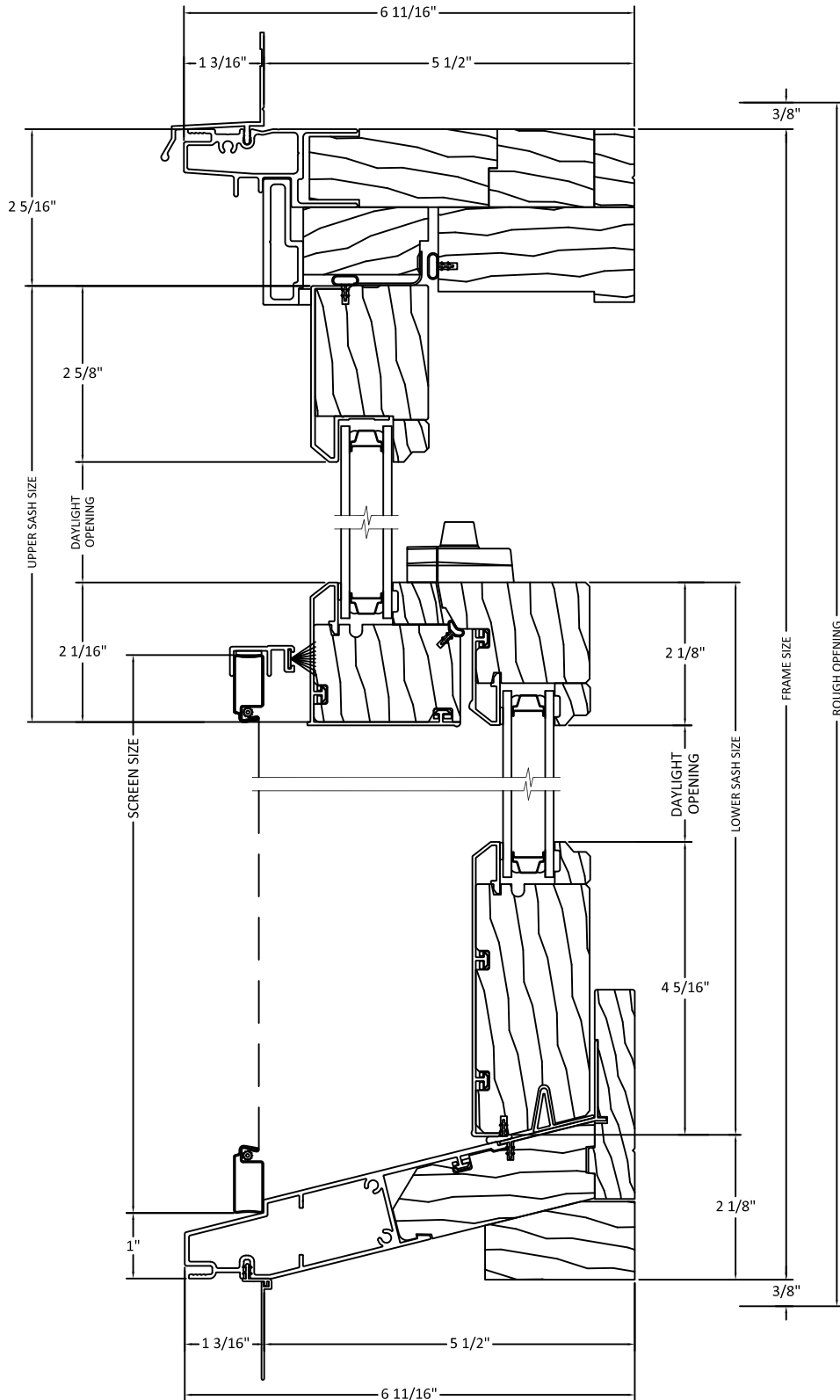
VERTICAL SECTION
FIXED SASH UNIT



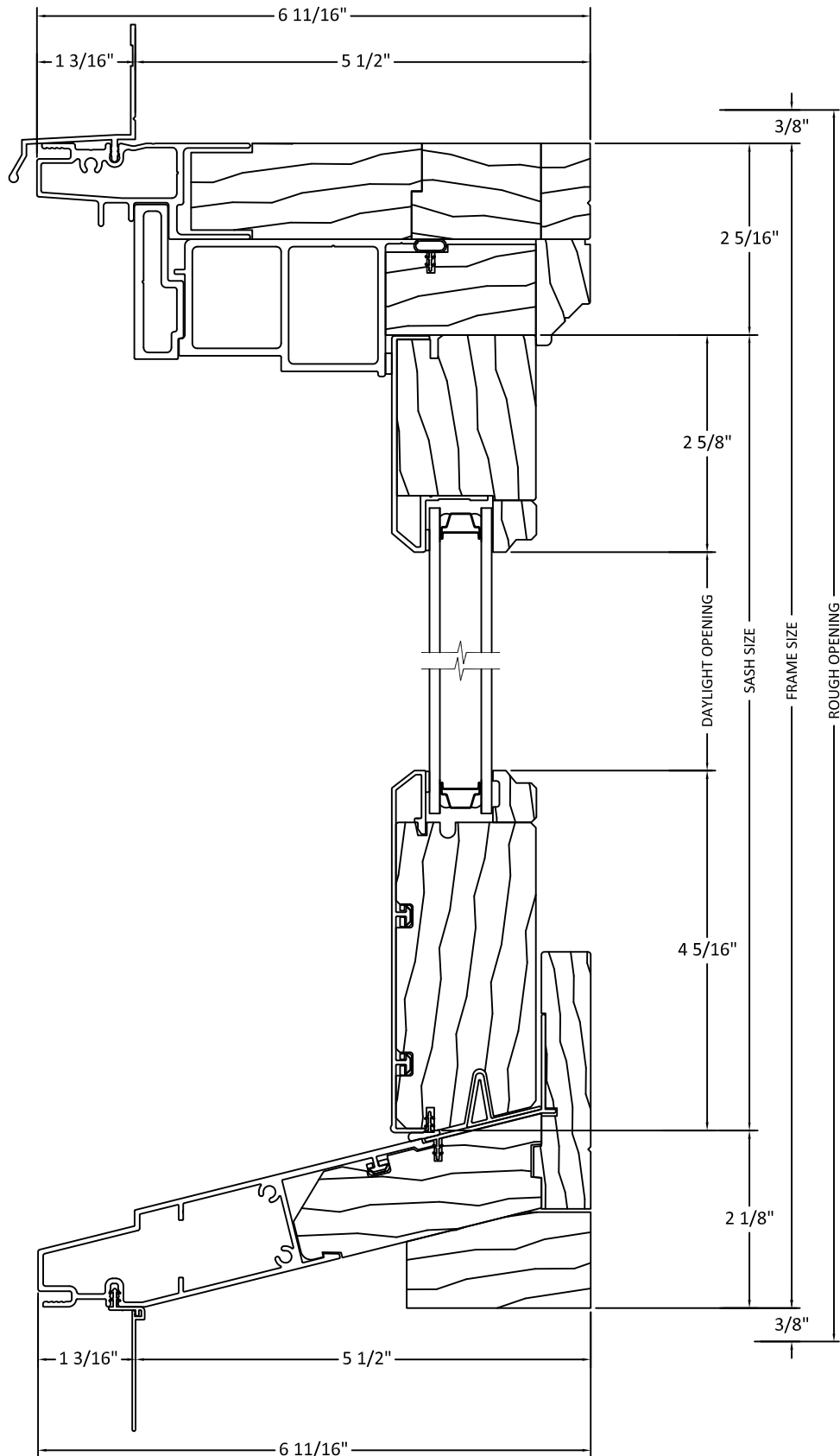
HORIZONTAL SECTION
FIXED SASH UNIT



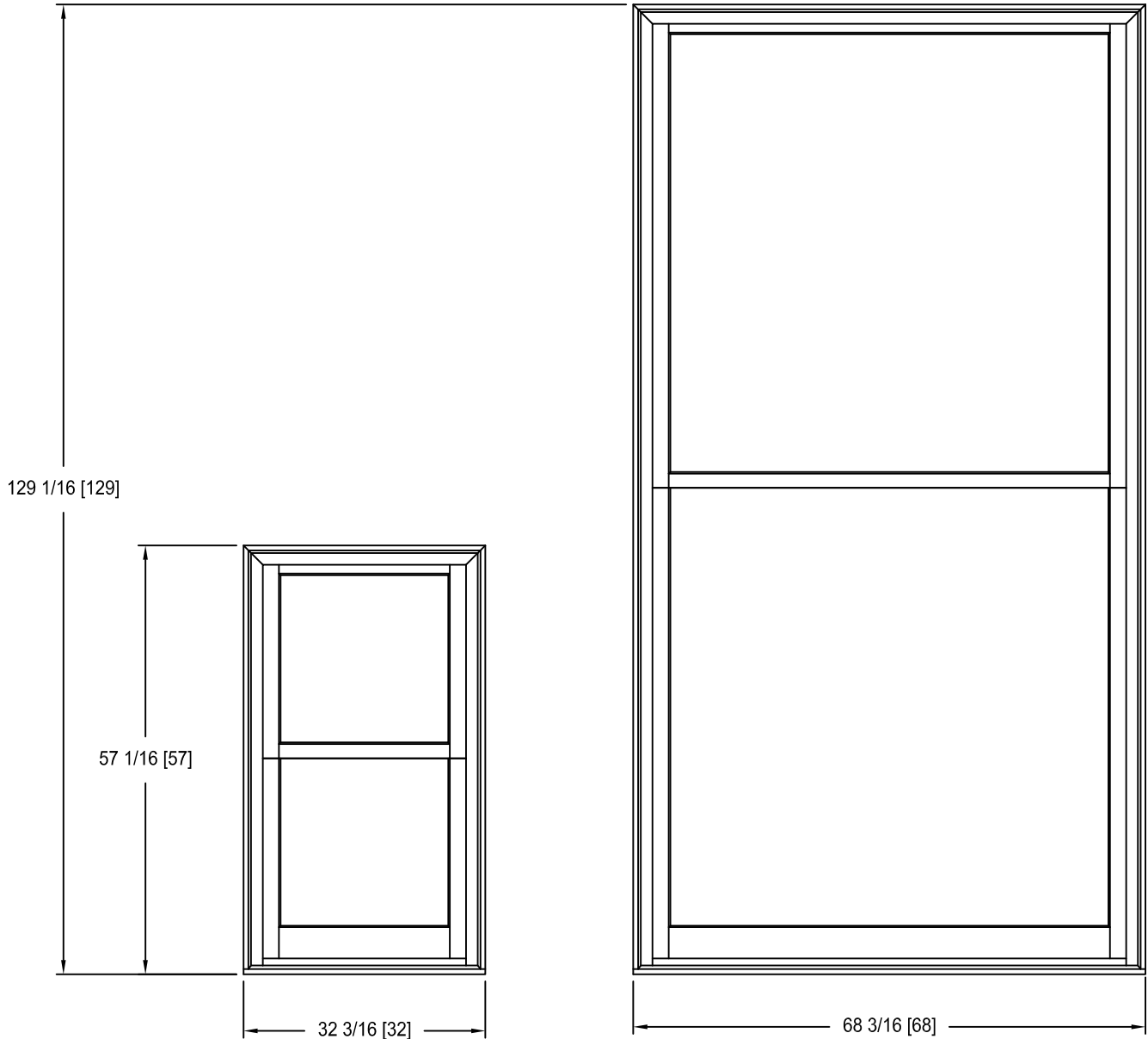
VERTICAL SECTION
SINGLE-HUNG RADIUS



VERTICAL SECTION
PICTURE RADIUS UNIT



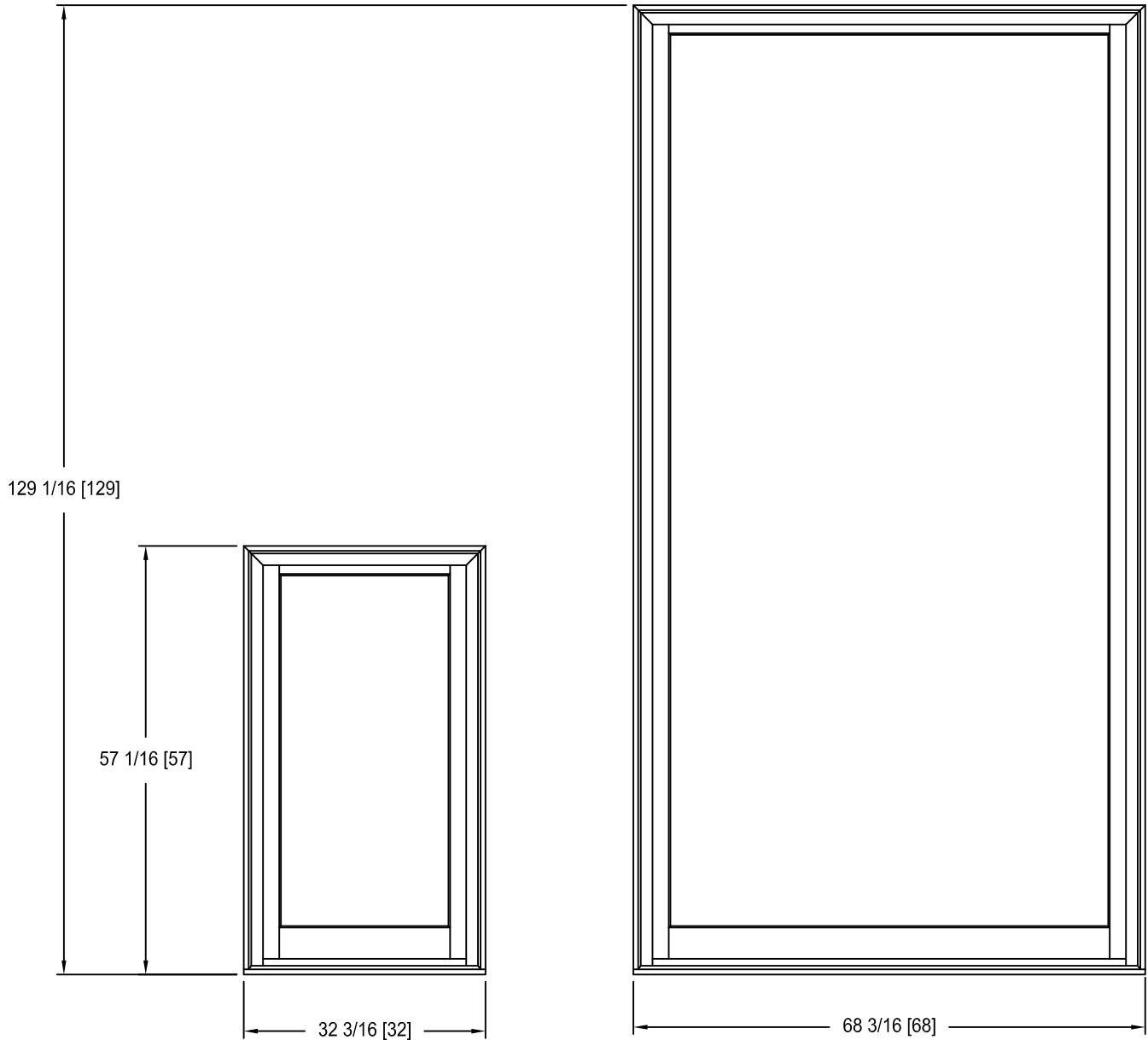
ELEVATIONS - OPERATING UNIT
MIN - MAX SIZING



Standard widths for the Custom Clad Double Hung:
32 3/16"(818mm), 44 3/16"(1122mm), 56 3/16"(1427mm), 68 3/16"(1732mm).

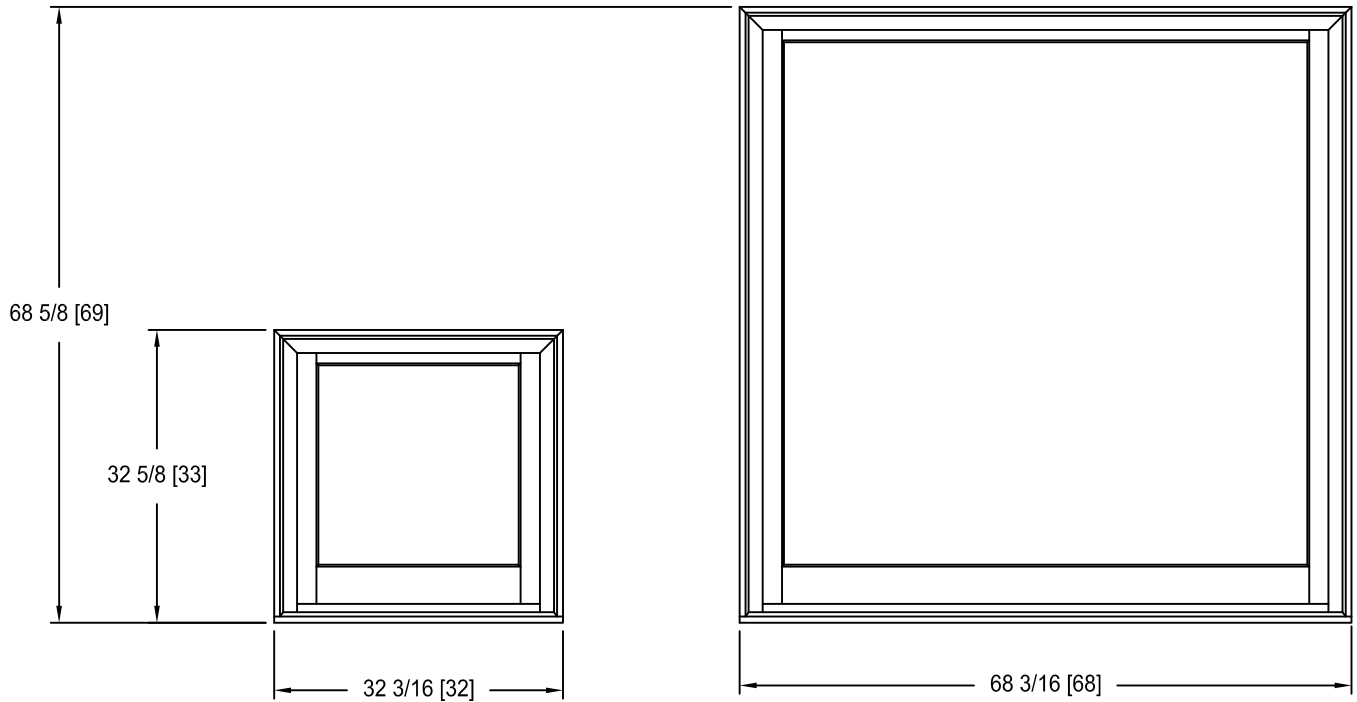
Standard heights for the Custom Clad Double Hung:
57 1/16" (1449mm), 81 1/16"(2059mm), 105 1/16"(2669mm), 129 1/16"(3278mm).

ELEVATIONS - PICTURE UNIT
MIN - MAX SIZING



Standard widths for the Custom Clad Picture Double Hung:
32 3/16"(818mm), 44 3/16"(1122mm), 56 3/16"(1427mm), 68 3/16"(1732mm).

Standard heights for the Custom Clad Picture Double Hung:
57 1/16" (1449mm), 81 1/16"(2059mm), 105 1/16"(2669mm), 129 1/16"(3278mm).



Standard widths for the Custom Clad Transom Double Hung:
32 3/16"(818mm), 44 3/16"(1122mm), 56 3/16"(1427mm), 68 3/16"(1732mm).

Standard heights for the Custom Clad Transom Double Hung:
32 5/8"(829mm) 44 5/8"(1133mm) 56 5/8"(1432mm) 68 5/8"(1743mm).