



Thank you for selecting JELD-WEN products. Attached are JELD-WEN's recommended installation instructions for Premium Aluminum Sliding Patio Doors with two or three tracks and up to six panels. Read these installation instructions thoroughly before beginning. They are designed to work in most existing applications. However, existing conditions may require changes to these instructions. If changes are needed, they are made at the installer's risk. For installations other than indicated in these instructions, contact a building professional.

Newer construction methods have led to an increase in air and water tightness in buildings. This frequently leads to negative air pressure inside the home, which can draw water through very small openings. Our installation method seals the patio door to the weather barrier (typically building wrap) and uses a sill pan to capture and drain incidental storm water from under the patio door.

IMPORTANT INFORMATION AND GLOSSARY

Not all patio door types can be installed into every wall condition in all areas. Consult your local building code official for applicable building codes and regulations. Local building code requirements supersede recommended installation instructions.

Note! Installation such that the sill is higher than 35 feet above ground level or any product installation into a wall condition not specifically addressed in these full instructions must be designed by an architect or structural engineer.

Failure to install square, level and plumb and on a flat surface (without peaks and valleys) could result in denial of warranty claims for operational or performance problems.

Note to Installer: Provide a copy of these instructions to the building owner. By installing this product, you acknowledge the terms and conditions of the limited product warranty as part of the terms of the sale.

GLOSSARY

Astragal

The vertical trim attached to one of the panels of a sliding patio door that bridges the gap between the panels when closed and provides weather protection.

Buck

A wood framework attached to the masonry inside a window or patio door rough opening.

Continuous slab

A concrete floor that is continuous through the door opening.

Interlock

A weatherstrip component that runs vertically along the stiles of either horizontal sliding sashes or sliding patio door panels. When the window/door is closed, the interlocks engage, locking together, to create a weather barrier.

Pilot hole

A drilled hole that is no larger than the body of the screw (minus the threads).

Sill pocket


A cavity recessed into a concrete floor to hold the sill of a patio door.

Step-down landing

A condition in which the interior floor surface is higher than the exterior surface.

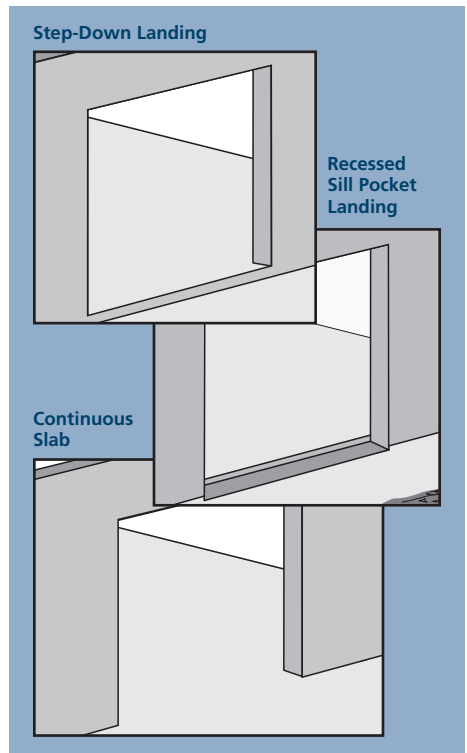
Please allow sufficient time to properly prepare the rough opening, install the patio door, and ensure its proper operation. Professional installation assistance is recommended.

Estimated Install Time for New Construction	<input type="text"/>	First Time: 4.0 hr.
	<input type="text"/>	Experienced: 2.5 hr.
	<input type="text"/>	Professional: 1.5 hr.



LANDINGS

These instructions cover three patio door sill conditions: the **step-down landing**, the **recessed sill pocket slab landing**, and the **continuous slab**. The installation methods vary slightly between landing types.

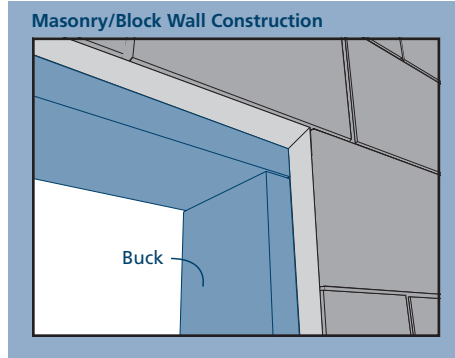


ROUGH OPENINGS

These installation instructions specifically address masonry/block wall, sheathed wall and open-stud construction. In each case, the door will be mounted by fastening through the jambs into the rough opening.

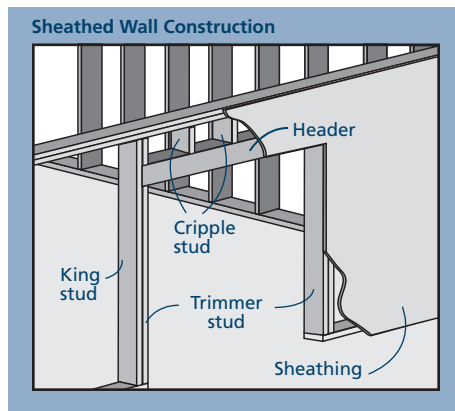
MASONRY/BLOCK WALL CONSTRUCTION

This installation assumes that a framework of 2x studs (often called a buck) has already been properly fastened and sealed to the concrete/masonry wall by a building professional.



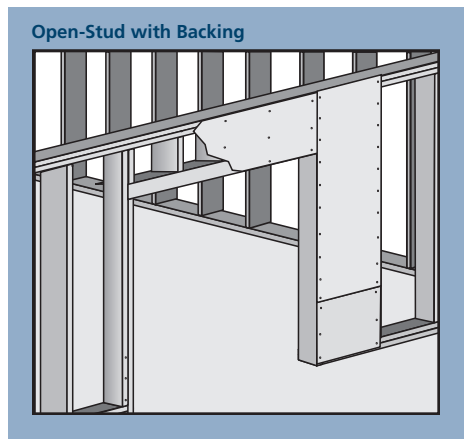
FULLY SHEATHED WALL CONSTRUCTION

The wall framing is covered by sheathing.



OPEN-STUD CONSTRUCTION

If self-adhesive flashing is to be applied so that it is wider than the framing of the wall, it may be necessary to cover the wall with backing support sufficient to support the entire width of the flashing. This backing support should be a non water-degradable, thin (max. 1/8" thick) sheet material such as plywood, or vinyl sheeting. Completely surround the rough opening with the backing support as shown. Backing support must be applied before building wrap.



SAFETY AND HANDLING

SAFETY

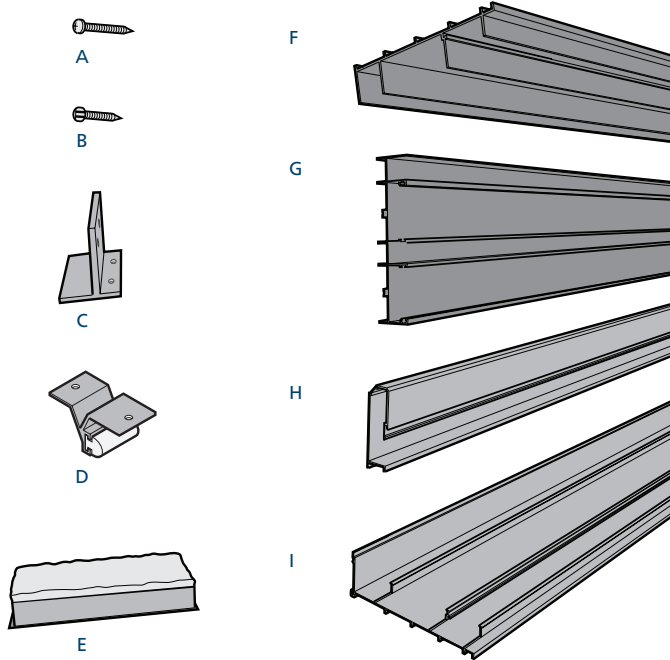
- Read and fully understand ALL manufacturers' instructions before beginning. Failure to follow proper assembly and installation instructions may result in the denial of warranty claims for operational performance problems.
- Do not work alone. Two or more people are required. Use safe lifting techniques.
- Use caution when handling glass. Broken or cracked glass can cause serious injury.
- Wear protective gear (e.g. safety glasses, gloves, ear protection, etc.).
- Operate hand/power tools safely and follow manufacturer's operating instructions.
- Use caution when working at elevated heights.
- If disturbing existing paint, take proper precautions if lead paint is suspected (commonly used before 1979). Your regional EPA (www.epa.gov/lead) or Consumer Product Safety Commission offices provide information regarding regulations and lead protection.

PATIO DOOR HANDLING

- Heed material manufacturers' handling and application instructions.
- Protect adhesive surfaces from dirt, moisture, direct sunlight and folding over onto themselves.
- Handle in vertical position; do not drag on floor.
- Do not put stress on joints, corners or frames.
- Store patio door in dry, well-ventilated area in vertical, leaning position to allow air circulation; do not stack horizontally.
- Protect from exposure to direct sunlight during storage.
- Install only into vertical walls and when conditions and sheathing are dry.

IF INJURY OCCURS, IMMEDIATELY SEEK MEDICAL ATTENTION!

MATERIALS AND TOOLS



PARTS (INCLUDED WITH PATIO DOOR)

- A #8 x 1" Phillips pan head sheet metal screw for frame assembly
- B #10 x 1" screws for securing the stationary panel and installing panel stops (applies to units with stationary panel(s) only)
- C Offset T clip for fixed panels; additionally used as a negative pressure clip on DP 65 / 80 doors.
- D Panel stop
- E Adhesive weather strip pad (attached to frame)
- F Head frame
- G Left and right side frame
- H Sill riser (DP 65/80 doors only)
- I Sill track

Items not shown:

- Handle package (pre installed on panels)
- Door panel(s)
- Screen – (not available on some configurations)
- For units with an astragal and screen, a screen jamb that attaches to the astragal.

1

REMOVE PACKAGING AND INSPECT DOOR

REMOVE PACKAGING

Remove packaging materials.

INSPECT DOOR

- Cosmetic damage

NEEDED MATERIALS

Note! Follow all material manufacturers' instructions for proper use and compatibility. When using flashing, spray adhesive/primer, sealant and foam products, we recommend using the same manufacturer and verifying compatibility. It is the End User's responsibility to determine if dissimilar materials are compatible to the substrates in the application.

- Sealant: We recommend OSI® QUAD® Max Sealant or equivalent. This can be used in any application and can be painted or ordered in a color matched product, if desired.
- Non-compressible or water degradable shims, such as high-density plastic or composite.
- Backer rod 1/8" larger than the widest portion of the gap (used in conjunction with sealant bead).
- Liquid applied flashing (Protecto Wrap LWM 200 or equivalent) or 4", 6", or 9" (as required by local code and window configuration) wide self-adhesive flashing: We recommend OSI® Butyl Flash Tape or equivalent.
- Spray adhesive/primer for self adhesive flashing. Such as Loctite® 300 or equivalent.
- Fasteners for Premium Atlantic Aluminum (6800): See certified anchor drawing(s) for anchor type, spacing and embedment.

For step-down and Continuous Slab landings:

- Sill pan: It is best practice to use a pre-formed, rigid, positively sloped, pvc pan that provides continuous support. We recommend using SureSill™ Sloped Sill Pan™, manufactured by SureSill™, Ltd. An alternative would be a non-sloped pre-formed sill pan or one that can be fabricated on site with the proper tools.

NEEDED TOOLS

- Cutting shears (sill pan)
- Tape measure
- Utility knife
- Level (4' minimum recommended)
- J-roller
- Caulking gun
- Drill with bits (assembly)
- Putty knife
- Phillips screwdriver
- Hammer drill and masonry bits for masonry applications

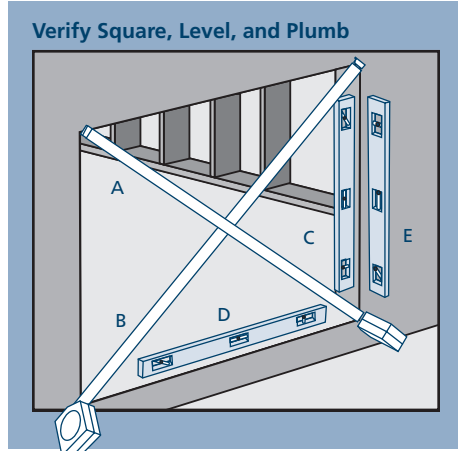
- Included parts (See Parts List above)
- Correct product (size, color, number of panels, grid pattern, glass type, etc.)

If any of the above represents a concern, BEFORE installing, contact your dealer or distributor for recommendations.

2

INSPECT ROUGH OPENING

- Verify the rough opening (inside the buck) is no larger than 1/2" wider and 1/4" taller than the patio door frame.
- Verify the rough opening is square. The (A) and (B) measurements should be the same. Maximum allowable deviation from square is 1/4".
- Verify the rough opening is plumb (C and E). The maximum allowable deviation is 1/8".
- The rough opening sill must not be crowned or sagged (D), but rather be level or sloped (positive slope) to the exterior.



- The exterior face of the rough opening must be in a single plane with less than 1/8" twist from corner to corner (E).
- In wood frame construction, the header must be supported by trimmer studs and designed to ensure that no load is transferred to patio door unit.
- Correct any deviations before installing the patio door. Consult a building professional as needed.
- Verify the rough opening is clean and dry.

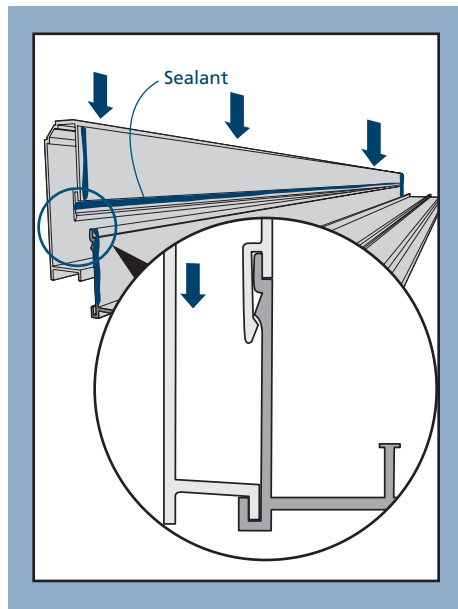
FOR RETROFIT INSTALLATIONS

Remove the entire old patio door. Removing the exterior wall surface is not necessary if the opening has been evaluated to be structurally sound and water tight. Repair any problems before continuing. Contact your local waste management entities for proper disposal or recycling of products being removed.

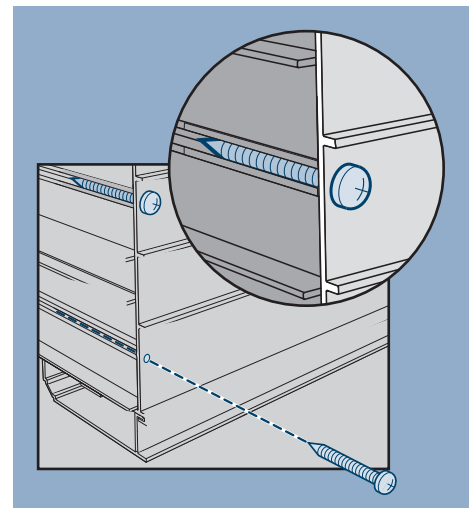
3

ASSEMBLE FRAME

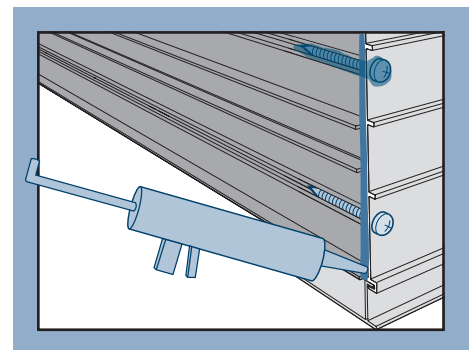
1. DP 65 / 80 doors come with a 3.5" sill riser accessory. Apply a bead of sealant in the groove of the sill riser. Snap the sill riser to the sill so the pieces lock together as shown. Using a rag, clean up any excess sealant.
2. Run a bead of sealant on each jamb where it contacts the sill before assembly.



3. Using the supplied 1" screws, fasten the sill to the right and left frame parts. The pre-drilled holes in the sill will line up with the screw bosses (grooves in the frame sides). Make sure the attached gasket lies flat and the screws are inserted properly into the screw bosses.
4. Using the supplied 1" screws, fasten the header to the right and left frame parts by inserting screws into the screw bosses through the pre-drilled holes in the header. Verify handing of parts to ensure the inside jamb pocket is fully weatherstripped; the lock keeper is typically installed in this jamb pocket.



5. Seal the screw heads, screw bosses, and the outside of each corner joint with polyurethane or 100% silicone sealant as shown.
6. Dry fit the door frame by inserting the door frame into the rough opening to verify proper fit.



4

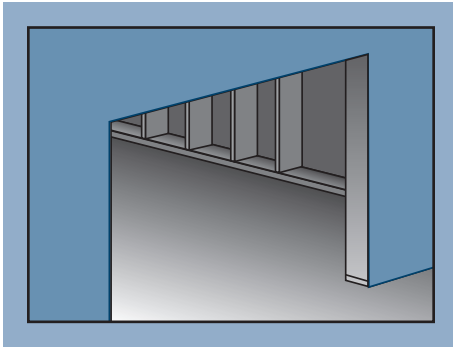
PREPARE ROUGH OPENING

PREPARE BUILDING WRAP

(For masonry/block wall construction, skip to SILL PANS)

Note! Check with the building wrap manufacturer to verify the following steps will not void their product warranty.

Trim building wrap flush with the edge of the rough opening at the head and sides.



SILL PANS

(For a recessed sill pocket, skip to COMPLETE OPENING PREP)

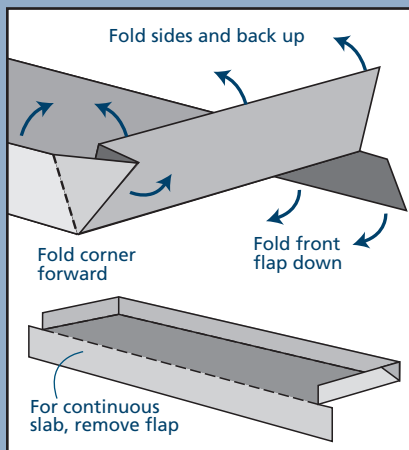
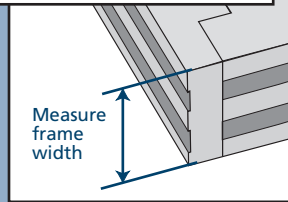
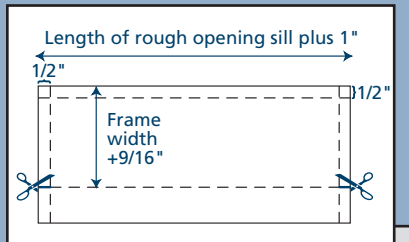
The sill can be prepared using one of two methods: We recommend SureSill™ Sloped Sill Pan™ available from SureSill at www.suresill.com, building supply stores, and some manufacturing locations or fabricate a sill pan on site. If installing a SureSill™ sill pan, follow SureSill™'s instructions for installation and skip to section 5 "INSTALL FRAME". If fabricating a sill pan on the job site, follow the instructions below.

JOBSITE FABRICATED SILL PAN

(For a recessed sill pocket, skip to COMPLETE OPENING PREP)

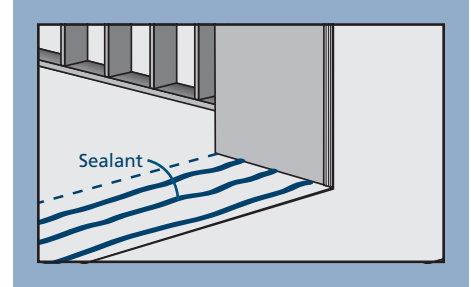
Note! If using self-adhesive flashing in place of a metal pan, the flashing must be a minimum of 40 mils and have a proper back dam, such as a metal angle. Use primer if adhering to concrete.

- Cut a piece of sheet material to the length shown.
- Lightly crease folding lines 1/2" in from the two short sides and one long side.
- Measure the width of the exterior edge of the frame and add 9/16".
- Take this distance from the back edge of the sheet material and lightly crease a folding line.
- Cut 1/2" in at this line on both sides of the sheet material.
- Fold the three back sides up to make a 3-sided box.
- For step-down landings, fold the front flap down. For continuous slabs, remove flap.



PREPARE SILL

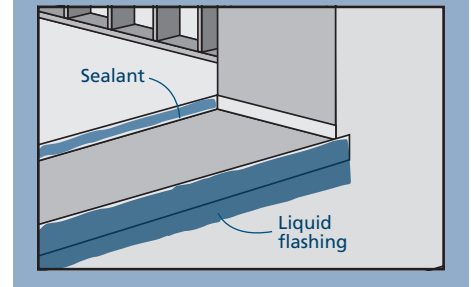
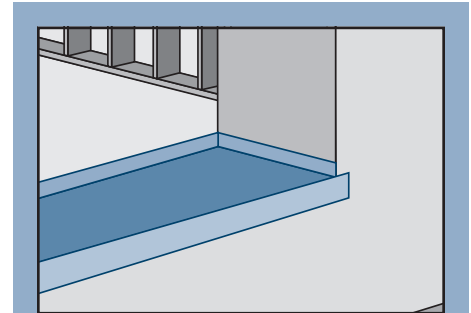
- Set the sill pan in place and mark a line across the back of the sill pan with a pencil as shown. Remove sill pan.
- Apply three 3/8" beads of sealant between the marked line and the exterior edge of the rough sill.



INSTALL SILL PAN

Note! If installing a metal sill pan on concrete, the bottom surface must be covered with self-adhesive flashing.

- Set the sill pan in place pressing it down firmly into the sealant. Use a J-roller if necessary to ensure a smooth, secure seal.
- Apply a 3/8" continuous bead of sealant across the sill pan back dam.
- For step-down landing apply a layer of liquid flashing across the lower lip of the sill pan, joining it to the face of the foundation.



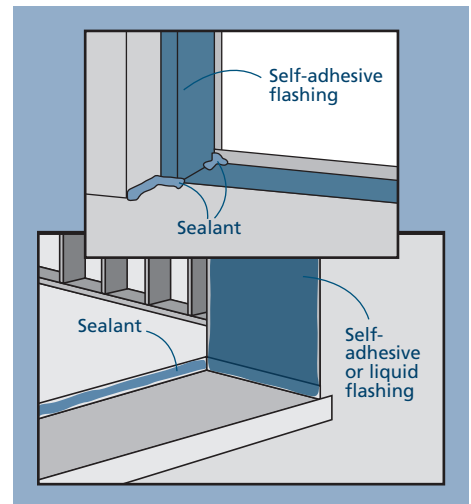
COMPLETE OPENING PREP

Waterproof the rough opening with one of the following methods:

- Wrap the buck or stud completely with self-adhesive flashing, then seal the joint between the flashing and the structure, and at the corners as shown.

OR

- Apply liquid applied flashing in a smooth 1/16" thick layer covering the exterior face of the structure in a 6" width. Apply 1/16" thick layer to cover the entire surface of the head and jambs, extending onto the sides of the sill pan or across the entire surface of the sill pocket.



5 INSTALL FRAME

Caution! A minimum of two (2) people are needed for installation.

Note! These steps apply to all landing types.

1. Tilt patio door frame into the rough opening. Make sure the back of the sill makes solid contact with the sealant on the sill pan back dam. Hold door frame in place until fully fastened.
2. Pre-drill fastener holes, if applicable, using the following patterns (some products have holes already pre-drilled):
3. Pre-drill installation holes in floor and fill with sealant prior to anchoring screws into sill. Coat the threads of the fasteners before installing. Sill fasteners must be seated flush to prevent water from leaking around the fastener. Seal the head of each fastener.

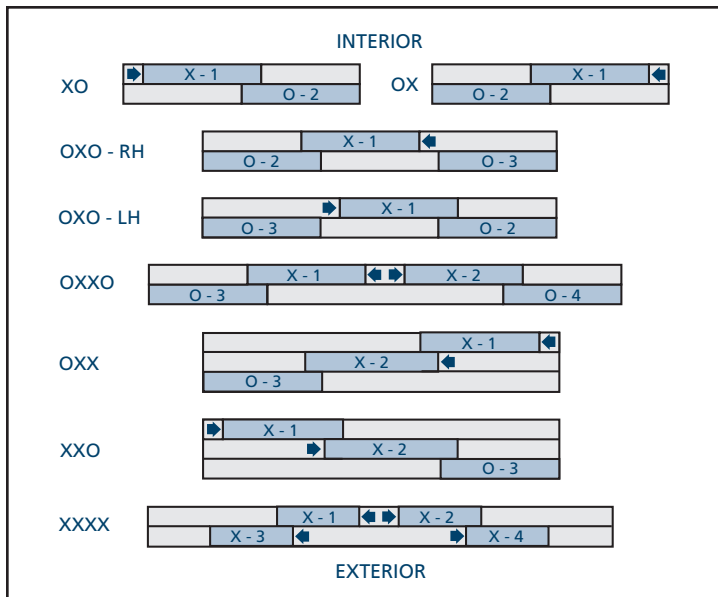
4. Shim at each pre-drilled hole (next to hole in the header) where there is a distance greater than 1/16" between the frame and opening. Apply additional shims to the side and head jambs as necessary to ensure frame position within the opening is plumb, level, and square. Shims must be 1" narrower than the frame jamb to allow 1/4" backer rod and sealant to be installed later. Use sealant if necessary to secure shims in place while anchoring.
5. Fasten patio door frame with appropriate screws (see Materials section above) through every pre-drilled jamb, head and sill hole, and through any needed shims.
6. Inspect frame for square, level, and plumb (remove and reinstall if necessary).

6 INSTALL PANELS

DETERMINE DOOR CONFIGURATION

Refer to the sections below for detailed instructions on installing each interior and exterior panel into the frame. Panels are identified from left to right, looking from the outside in. Position panels so glazing bead/glass stop is to the exterior and the panel with the thumb latch is towards the interior and installed in the interior track. After all panels are installed, follow the instructions for adjusting the rollers and fixing the stationary panels in place.

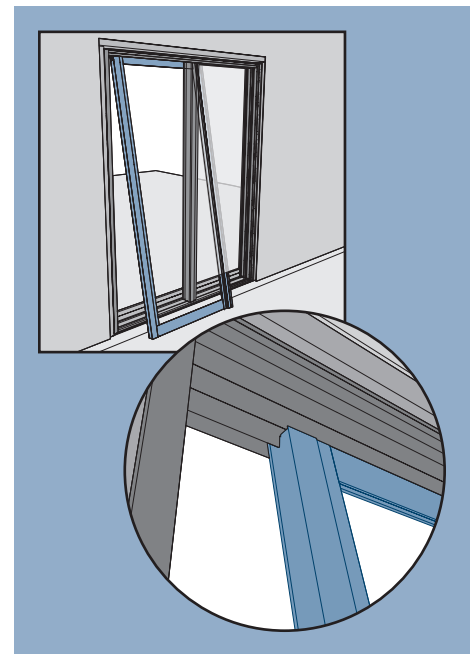
Note! Panels are not reversible or interchangeable.



INSTALL INTERIOR PANEL(S)

Interior panels must be installed first. Using the configuration diagram above, install each interior panel. Make sure the panel interlock (when present) is facing the exterior. Two panel doors are shown in the following steps, but also apply to three or more panels.

1. Working from the outside, place the slot of the panel head over the interior guide leg of the frame head.
2. Raise the panel and swing the bottom in so the wheels are properly located over the interior track.
3. After installing an interior operating panel, move the panel to a closed position.

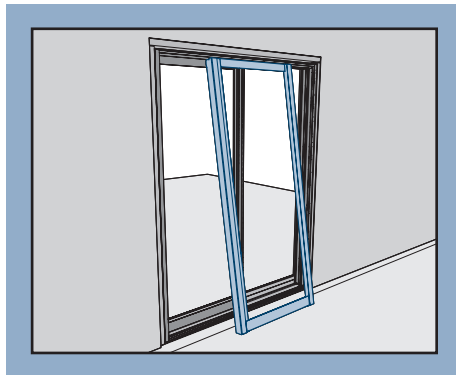


6

INSTALL PANELS - CONTINUED

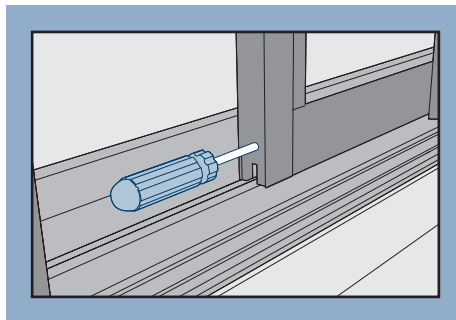
INSTALL EXTERIOR PANEL(S)

1. Insert exterior panels, making sure the panel interlock is facing the interior.
2. Place the slot of the panel head over the middle guide leg of the frame head.
3. Raise the panel and swing the bottom in so the wheels are properly located over the track.



ADJUST ROLLERS

Lift each panel and adjust the rollers with a #2 Phillips head screwdriver by turning the bottom screw on the ends of both panels. Do not use a power driver. All door panels, including stationary panels, have wheels that need to be adjusted. Adjust door to ensure jambs, interlocks and grid patterns line up.

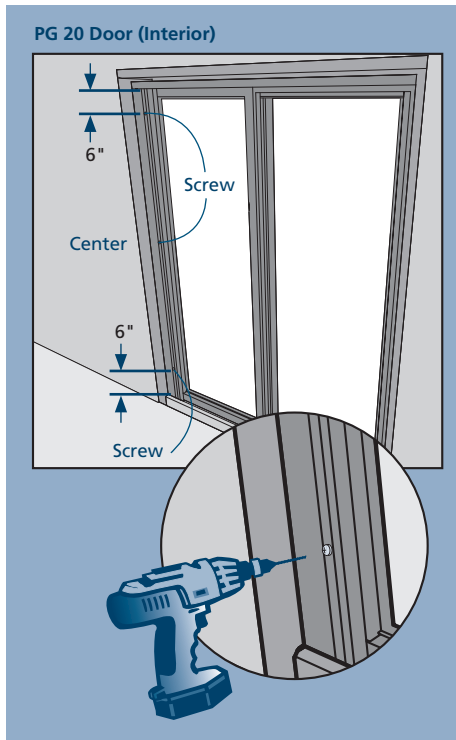


Note! Turn clockwise to raise the panel, counterclockwise to lower the panel.

SECURE STATIONARY PANEL(S)

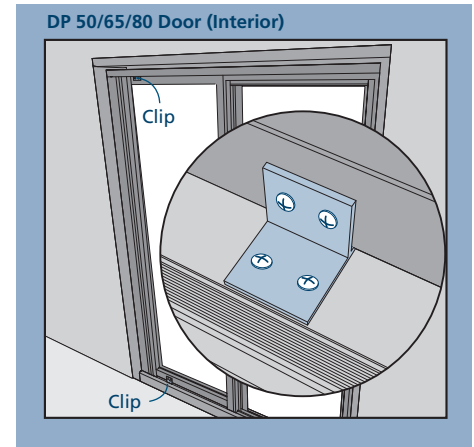
DP20 / Stationary Panel on an Interior Track

1. Working from the inside, slide the stationary panel into the jamb pocket.
2. From the interior, pre-drill holes 6" from each corner and one at center. Coat the screw threads with sealant and secure with 3 screws through the jamb into the panel frame using the provided #10 x 1" screws. Seal screw points with polyurethane or 100% silicone sealant.



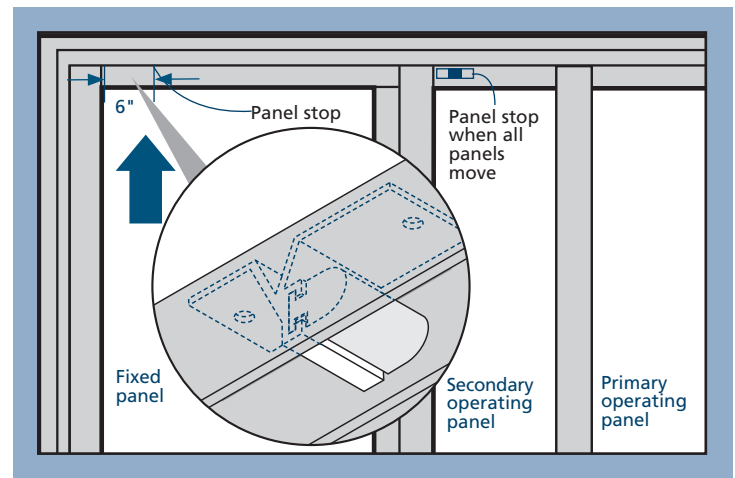
DP 50/65/80 / Stationary Panel in an Exterior Track

1. Working from the inside, slide the stationary panel into the jamb pocket.
2. For DP 50 units, secure using offset T clips located at the head and sill, 4 3/4" from the edge of the panel as shown. DP 65/80 units have additional clips that must be installed in the same positions on the exterior. First, position the clip with the short leg under the panel.



Pre-drill through the clip 1/2" from the edge and 1/2" from the interior edge and into the frame, coat the screw threads with sealant, and then screw the clips into the head and sill of the door frame using the provided #10 x 1" screws (use longer screws as necessary to adequately secure the clips). Then, secure the other end of each clip through the pre-drilled holes to the interior side of the panel. Seal screw points with polyurethane or 100% silicone sealant.

DP 65/80 Active Panel in an Exterior Track and/or all Panels are Active
Install an offset T clip on the head and sill of each panel at the interlock, interlock of astragal panel and lockstile or the operating panel to frame jamb. Secure each clip with the provided #10 x 1" screws. Use longer screws as necessary to adequately secure the clips.



For one moving panel systems (two track frames), install panel stops 6" from each jamb in the head and sill track behind operating panel(s). For two moving panels (3 track frames), install a second set 12" from each jamb in the head and sill track. Secure in place using the provided #10 x 1" screws (use longer screws as necessary to adequately secure the clips). If all panels move, panel stops are installed on the panel only. Position these as needed to get the desired clearance between the handle and neighboring panel.

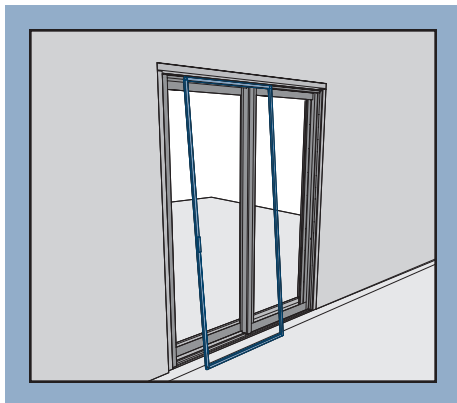
7

INSTALL AND ADJUST HARDWARE

INSTALL SCREEN

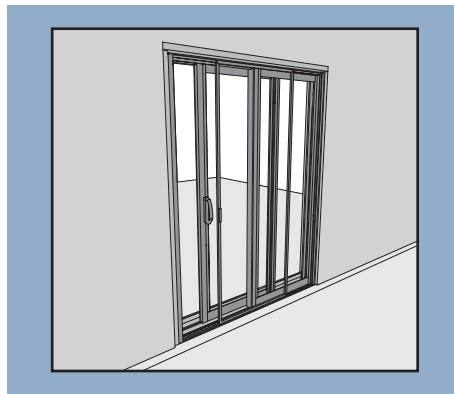
Note! Screen is designed to be placed in front (on the same side) of the interior panel for normal use in all configurations.

- Install the screen from the exterior.
- Put the head of the screen lip onto the outside header rail.
- Lift the screen and swing the bottom onto the screen track.
- OXXO and OXX/XXO screens require a screen astragal to be attached for latching purposes. OXO 2 track screen jamb attaches to the door astragal.
- Adjust the wheels at both the top and bottom in order to center the screen between the head and track.



Note! Too much tension will not allow the screen to roll properly.

- Locate the screen keeper in the plastic bag attached to the screen.
- Install the keeper into the screen track of the jamb, so it is aligned with the latch on the screen panel. Pre-drill holes if necessary.



VERIFY OPERATION

- Test the door panel(s), screen and lock to verify proper operation.

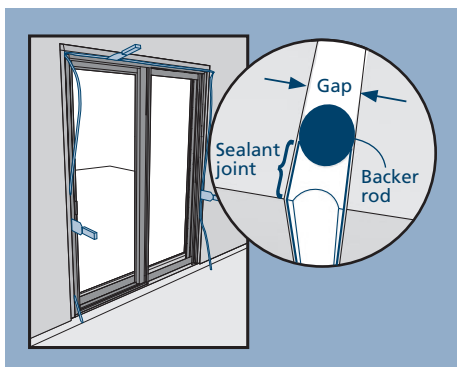
Note! If the screen does not travel evenly, check to ensure top and bottom are level and parallel to the head or sill.

8

COMPLETE INSTALLATION

COMPLETE INSTALLATION

1. For continuous slabs, on the exterior, apply a 1/4" bead of sealant around the sill where it meets the slab. Leave 1" gaps 4" - 6" from each corner as shown. Leave additional 1" weep gaps at each interlock, or every 4', whichever is less. For step-down landings, fully seal under the patio door sill.
2. On the exterior of step down landings, install support trim underneath the sill where it extends past the landing. Position trim snugly against the bottom of the sill toe.



3. Create a continuous air seal on the interior between the rough opening and the frame with low expansion foam or backer rod and sealant. Allow the foam to fully cure and cut flush with a sharp knife. Make sure the foam cuts cleanly and doesn't tear. On the exterior, seal the gap between the door frame and rough opening with backer rod and sealant.
4. Ensure sealant on back dam of the sill pan or recessed slab fully seals to the inside face of the sill. Apply more sealant as necessary.

AFTER INSTALLATION

- Remove protective film (if applicable) on glass within one year.
- Seal any gaps or openings at end of horizontal mull joints with sealant.
- Install exterior wall surface per manufactures' guidelines.
- Leave an expansion/contraction gap of approximately 3/8" between window frame and final exterior wall surface (siding, stucco, etc.). For a finished look and additional protection, seal this gap on the sides with backer rod and sealant. If sealant is applied above the drip cap ensure the sealant bead is discontinuous to allow for drainage.
- Protect recently installed units from damage from plaster, paint, etc. by covering the unit with plastic.

Please visit jeld-wen.com for warranty and care and maintenance information.

Thank you for choosing

