



TABLE OF CONTENTS

---

**Product Information**

General Information.....	3
Lite Cut Information.....	4
Clear Opening Design Data Tables.....	5
Venting Sidelight Opening & Design Data Table.....	9
Clear Opening Layout.....	10
Unit Sizing, Rough Opening & Masonry Openings.....	11

**Options**

Trim.....	12
Frame.....	13
Jamb Extenders.....	14
Mullion.....	17
Raised Panels.....	18
Bottom Rail.....	21
Stile.....	22
Sill.....	23
Divided Lites.....	24

**Section Details**

Operating:	
Vertical Section.....	26
Horizontal Section.....	27
Impact - Vertical Section.....	28
Quad - Horizontal Section.....	29
Fixed:	
Vertical Section.....	30
ADA - Vertical Section.....	31
Impact - Vertical Section.....	32
Wide Stile - Horizontal Section.....	33
Narrow Stile - Horizontal Section.....	34
Sidelite Stile - Horizontal Section.....	35
Fixed 2 Panel w/ Center Hinged:	
Wide Stile - Horizontal Section.....	36
Narrow Stile - Horizontal Section.....	37
Sidelite Stile - Horizontal Section.....	38
Impact Wide Stile - Horizontal Section.....	39
Fixed 2 Panel w/ Side Hinged:	
Wide Stile - Horizontal Section.....	40
Narrow Stile - Horizontal Section.....	41
Sidelite Stile - Horizontal Section.....	42
French:	
Horizontal Section.....	43
Impact - Horizontal Section.....	44
Venting Sidelite	
Horizontal Section.....	45
Radius Top	
Vertical Section.....	46



TABLE OF CONTENTS

---

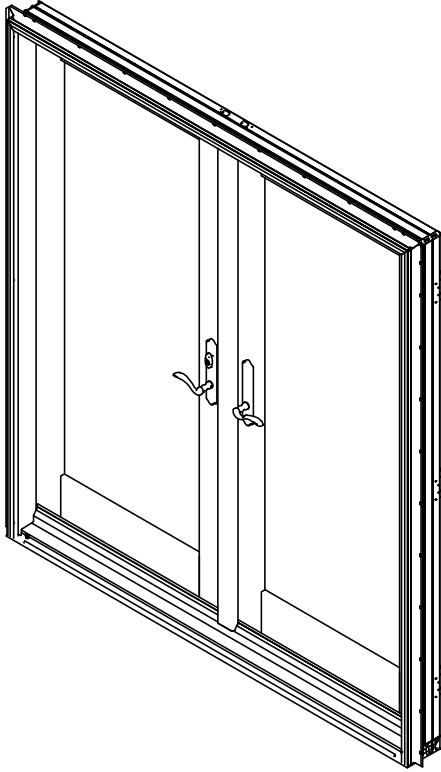
Transom:

Fixed - Vertical Section .....	47
Impact - Vertical Section .....	48
Wide Stile - Horizontal Section .....	49
Narrow Stile - Horizontal Section .....	50
Sidelite Stile - Horizontal Section .....	51
Sidelite Stile Impact - Horizontal Section .....	52
2 Panel Wide Stile - Horizontal Section .....	53
2 Panel Narrow Stile - Horizontal Section .....	54
2 Panel Sidelite Stile - Horizontal Section .....	55
3 Panel Wide Stile - Horizontal Section .....	56
3 Panel Narrow Stile - Horizontal Section .....	57
3 Panel Sidelite Stile - Horizontal Section .....	58



## GENERAL INFORMATION

---



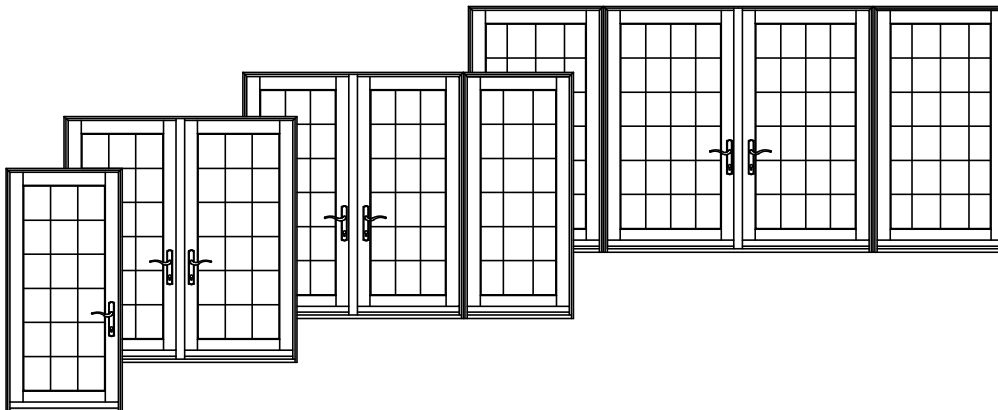
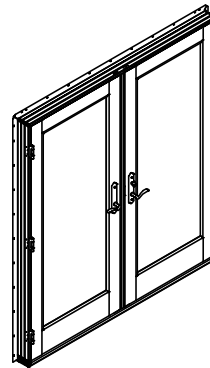
### DIMENSIONAL DOORS

Siteline Clad Inswing Patio Doors may be specified as "dimensional", by adjusting the desired rough opening width or height in 1/8" increments from standard.

Siteline Clad Inswing Patio Doors are available in single, twin, triple and quad panel doors. The standard size range includes sizes specifically designed for replacement of older patio door models in existing structures, as well as a full range of "true size" products for architectural consistency. Please consult our Quick Quote software for detailed product options and availability.

### OPERATION

Siteline Clad Inswing Patio Doors are available in a full range of operating styles. Single panel doors may be specified as stationary (non-venting) or can operate left or right. Center swing two- or three-panel doors are available with left or right operation.





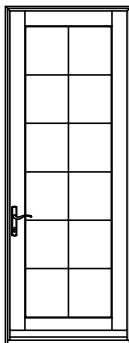
LITE CUT INFORMATION

---

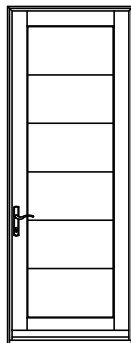
Siteline Clad Inswing Patio Doors are available with full surround removable grilles in 5/8", 7/8", 1 1/8", 1 3/8", and 2 5/16" widths, with grilles between the glass (GBG), or with simulated divided lites (SDL). Standard lite cuts are rectangular, and conform to the layouts noted below.

LITE CUT OPTIONS

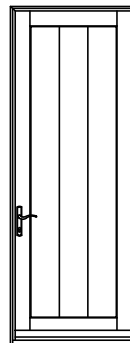
Special lite cut patterns can include a wide variety of straight line and radius patterns. The illustrations shown here represent just a few of the possibilities. Rectangular, horizontal, vertical and prairie lite patterns are available in all standard size clad swinging patio doors. Uneven, diamond, radius and gothic lite cuts are available, subject to approval. Approvals are based on the ability to fulfill the design requirement while maintaining the construction integrity of the finished product.



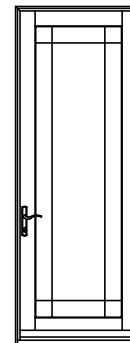
RECTANGULAR



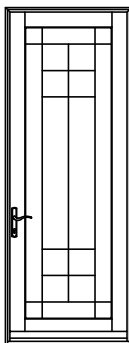
HORIZONTAL



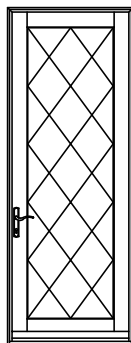
VERTICAL



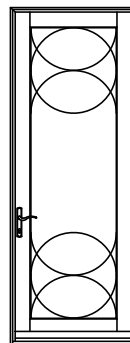
PRAIRIE



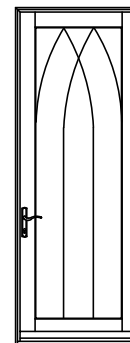
UNEVEN



DIAMOND



RADIUS



GOthic



CLEAR OPENING DESIGN DATA TABLES

Single Panel								
Unit Number Bookcode	Frame Width	Frame Height	Clear Opening Width	Clear Opening Height [1]	Vent Area Sq. Ft.	Daylight Opening Width	Daylight Opening Height	Daylight Opening Sq. Ft.
PRCISW2068	23.63	79.50	19.09	76.91	10.20	12.19	63.59	5.38
PRCISW20611	23.63	82.50	19.09	79.91	10.60	12.19	66.59	5.64
PRCISW2070T	23.63	86.50	19.09	83.91	11.13	12.19	70.59	5.97
PRCISW2080	23.63	95.50	19.09	92.91	12.32	12.19	79.59	6.74
PRCISW2080T	23.63	98.50	19.09	95.91	12.72	12.19	82.59	6.99
PRCISW2090	23.63	107.50	19.09	104.91	13.91	12.19	91.59	7.75
PRCISW20100	23.63	119.50	19.09	116.91	15.50	12.19	103.59	8.77
PRCISW2668	29.63	79.50	25.09	76.91	13.40	18.19	63.59	8.03
PRCISW26611	29.63	82.50	25.09	79.91	13.92	18.19	66.59	8.41
PRCISW2670T	29.63	86.50	25.09	83.91	14.62	18.19	70.59	8.92
PRCISW2680	29.63	95.50	25.09	92.91	16.19	18.19	79.59	10.05
PRCISW2680T	29.63	98.50	25.09	95.91	16.71	18.19	82.59	10.43
PRCISW2690	29.63	107.50	25.09	104.91	18.28	18.19	91.59	11.57
PRCISW26100	29.63	119.50	25.09	116.91	20.37	18.19	103.59	13.08
PRCISW2868	31.63	79.50	27.09	76.91	14.47	20.19	63.59	8.92
PRCISW28611	31.63	82.50	27.09	79.91	15.03	20.19	66.59	9.34
PRCISW2870T	31.63	86.50	27.09	83.91	15.79	20.19	70.59	9.90
PRCISW2880	31.63	95.50	27.09	92.91	17.48	20.19	79.59	11.16
PRCISW2880T	31.63	98.50	27.09	95.91	18.04	20.19	82.59	11.58
PRCISW2890	31.63	107.50	27.09	104.91	19.74	20.19	91.59	12.84
PRCISW28100	31.63	119.50	27.09	116.91	22.00	20.19	103.59	14.52
PRCISW3068	35.63	79.50	31.09	76.91	16.61	24.19	63.59	10.68
PRCISW30611	35.63	82.50	31.09	79.91	17.25	24.19	66.59	11.19
PRCISW3070T	35.63	86.50	31.09	83.91	18.12	24.19	70.59	11.86
PRCISW3080	35.63	95.50	31.09	92.91	20.06	24.19	79.59	13.37
PRCISW3080T	35.63	98.50	31.09	95.91	20.71	24.19	82.59	13.87
PRCISW3090	35.63	107.50	31.09	104.91	22.65	24.19	91.59	15.38
PRCISW30100	35.63	119.50	31.09	116.91	25.24	24.19	103.59	17.40
PRCISW3268	37.63	79.50	33.09	76.91	17.67	26.19	63.59	11.57
PRCISW32611	37.63	82.50	33.09	79.91	18.36	26.19	66.59	12.11
PRCISW3270T	37.63	86.50	33.09	83.91	19.28	26.19	70.59	12.84
PRCISW3280	37.63	95.50	33.09	92.91	21.35	26.19	79.59	14.47
PRCISW3280T	37.63	98.50	33.09	95.91	22.04	26.19	82.59	15.02
PRCISW3290	37.63	107.50	33.09	104.91	24.11	26.19	91.59	16.66
PRCISW32100	37.63	119.50	33.09	116.91	26.87	26.19	103.59	18.84
PRCISW3668	41.63	79.50	37.09	76.91	19.81	30.19	63.59	13.33
PRCISW36611	41.63	82.50	37.09	79.91	20.58	30.19	66.59	13.96
PRCISW3670T	41.63	86.50	37.09	83.91	21.61	30.19	70.59	14.80
PRCISW3680	41.63	95.50	37.09	92.91	23.93	30.19	79.59	16.69
PRCISW3680T	41.63	98.50	37.09	95.91	24.71	30.19	82.59	17.31
PRCISW3690	41.63	107.50	37.09	104.91	27.02	30.19	91.59	19.20
PRCISW36100	41.63	119.50	37.09	116.91	30.11	30.19	103.59	21.72
PRCISW3868	43.63	79.50	39.09	76.91	20.88	32.19	63.59	14.21
PRCISW38611	43.63	82.50	39.09	79.91	21.69	32.19	66.59	14.89
PRCISW3870T	43.63	86.50	39.09	83.91	22.78	32.19	70.59	15.78
PRCISW3880	43.63	95.50	39.09	92.91	25.22	32.19	79.59	17.79
PRCISW3880T	43.63	98.50	39.09	95.91	26.04	32.19	82.59	18.46
PRCISW3890	43.63	107.50	39.09	104.91	28.48	32.19	91.59	20.47
PRCISW38100	43.63	119.50	39.09	116.91	31.74	32.19	103.59	23.16

NOTES: [1] Assumes PG35 Sill.



**CLEAR OPENING DESIGN DATA TABLES**

<b>Two Panel [2]</b>								
<b>Unit Number Bookcode</b>	<b>Frame Width</b>	<b>Frame Height</b>	<b>Clear Opening Width [2]</b>	<b>Clear Opening Height [1]</b>	<b>Vent Area Sq. Ft.</b>	<b>Daylight Opening Width</b>	<b>Daylight Opening Height</b>	<b>Sq. Ft. Daylight Opening</b>
PRCISW4068	47.25	79.50	40.63	76.91	21.70	24.38	63.59	10.76
PRCISW40611	47.25	82.50	40.63	79.91	22.54	24.38	66.59	11.27
PRCISW4070T	47.25	86.50	40.63	83.91	23.67	24.38	70.59	11.95
PRCISW4080	47.25	95.50	40.63	92.91	26.21	24.38	79.59	13.47
PRCISW4080T	47.25	98.50	40.63	95.91	27.06	24.38	82.59	13.98
PRCISW4090	47.25	107.50	40.63	104.91	29.60	24.38	91.59	15.50
PRCISW40100	47.25	119.50	40.63	116.91	32.98	24.38	103.59	17.54
PRCISW5068	59.25	79.50	52.63	76.91	28.11	36.38	63.59	16.06
PRCISW50611	59.25	82.50	52.63	79.91	29.20	36.38	66.59	16.82
PRCISW5070T	59.25	86.50	52.63	83.91	30.66	36.38	70.59	17.83
PRCISW5080	59.25	95.50	52.63	92.91	33.95	36.38	79.59	20.11
PRCISW5080T	59.25	98.50	52.63	95.91	35.05	36.38	82.59	20.86
PRCISW5090	59.25	107.50	52.63	104.91	38.34	36.38	91.59	23.14
PRCISW50100	59.25	119.50	52.63	116.91	42.72	36.38	103.59	26.17
PRCISW5468	63.25	79.50	56.63	76.91	30.24	40.38	63.59	17.83
PRCISW54611	63.25	82.50	56.63	79.91	31.42	40.38	66.59	18.67
PRCISW5470T	63.25	86.50	56.63	83.91	32.99	40.38	70.59	19.79
PRCISW5480	63.25	95.50	56.63	92.91	36.53	40.38	79.59	22.32
PRCISW5480T	63.25	98.50	56.63	95.91	37.71	40.38	82.59	23.16
PRCISW5490	63.25	107.50	56.63	104.91	41.25	40.38	91.59	25.68
PRCISW54100	63.25	119.50	56.63	116.91	45.97	40.38	103.59	29.05
PRCISW6068	71.25	79.50	64.63	76.91	34.51	48.38	63.59	21.36
PRCISW60611	71.25	82.50	64.63	79.91	35.86	48.38	66.59	22.37
PRCISW6070T	71.25	86.50	64.63	83.91	37.66	48.38	70.59	23.72
PRCISW6080	71.25	95.50	64.63	92.91	41.69	48.38	79.59	26.74
PRCISW6080T	71.25	98.50	64.63	95.91	43.04	48.38	82.59	27.75
PRCISW6090	71.25	107.50	64.63	104.91	47.08	48.38	91.59	30.77
PRCISW60100	71.25	119.50	64.63	116.91	52.47	48.38	103.59	34.80
PRCISW6468	75.25	79.50	68.63	76.91	36.65	52.38	63.59	23.13
PRCISW64611	75.25	82.50	68.63	79.91	38.08	52.38	66.59	24.22
PRCISW6470T	75.25	86.50	68.63	83.91	39.99	52.38	70.59	25.68
PRCISW6480	75.25	95.50	68.63	92.91	44.28	52.38	79.59	28.95
PRCISW6480T	75.25	98.50	68.63	95.91	45.71	52.38	82.59	30.04
PRCISW6490	75.25	107.50	68.63	104.91	49.99	52.38	91.59	33.31
PRCISW64100	75.25	119.50	68.63	116.91	55.71	52.38	103.59	37.68
PRCISW7068	83.25	79.50	76.63	76.91	40.92	60.38	63.59	26.66
PRCISW70611	83.25	82.50	76.63	79.91	42.52	60.38	66.59	27.92
PRCISW7070T	83.25	86.50	76.63	83.91	44.65	60.38	70.59	29.60
PRCISW7080	83.25	95.50	76.63	92.91	49.44	60.38	79.59	33.37
PRCISW7080T	83.25	98.50	76.63	95.91	51.03	60.38	82.59	34.63
PRCISW7090	83.25	107.50	76.63	104.91	55.82	60.38	91.59	38.40
PRCISW70100	83.25	119.50	76.63	116.91	62.21	60.38	103.59	43.43
PRCISW7468	87.25	79.50	80.63	76.91	43.06	64.38	63.59	28.43
PRCISW74611	87.25	82.50	80.63	79.91	44.74	64.38	66.59	29.77
PRCISW7470T	87.25	86.50	80.63	83.91	46.98	64.38	70.59	31.56
PRCISW7480	87.25	95.50	80.63	92.91	52.02	64.38	79.59	35.58
PRCISW7480T	87.25	98.50	80.63	95.91	53.70	64.38	82.59	36.92
PRCISW7490	87.25	107.50	80.63	95.91	53.70	64.38	82.59	36.92
PRCISW74100	87.25	119.50	80.63	95.91	53.70	64.38	82.59	36.92

NOTES: [2] Assumes a French Door configuration.



CLEAR OPENING DESIGN DATA TABLES

Three Panel [3]								
Unit Number Bookcode	Frame Width	Frame Height	Clear Opening Width [3]	Clear Opening Height [1]	Vent Area Sq. Ft.	Daylight Opening Width	Daylight Opening Height	Sq. Ft. Daylight Opening
PRCISW6068-3	70.88	79.50	40.63	76.91	21.70	36.56	63.59	16.15
PRCISW60611-3	70.88	82.50	40.63	79.91	22.54	36.56	66.59	16.91
PRCISW6070T-3	70.88	86.50	40.63	83.91	23.67	36.56	70.59	17.92
PRCISW6080-3	70.88	95.50	40.63	92.91	26.21	36.56	79.59	20.21
PRCISW6080T-3	70.88	98.50	40.63	95.91	27.06	36.56	82.59	20.97
PRCISW6090-3	70.88	107.50	40.63	104.91	29.60	36.56	91.59	23.26
PRCISW60100-3	70.88	119.50	40.63	116.91	32.98	36.56	103.59	26.30
PRCISW7668-3	88.88	79.50	52.63	76.91	28.11	54.56	63.59	24.10
PRCISW76611-3	88.88	82.50	52.63	79.91	29.20	54.56	66.59	25.23
PRCISW7670T-3	88.88	86.50	52.63	83.91	30.66	54.56	70.59	26.75
PRCISW7680-3	88.88	95.50	52.63	92.91	33.95	54.56	79.59	30.16
PRCISW7680T-3	88.88	98.50	52.63	95.91	35.05	54.56	82.59	31.30
PRCISW7690-3	88.88	107.50	52.63	104.91	38.34	54.56	91.59	34.71
PRCISW76100-3	88.88	119.50	52.63	116.91	42.72	54.56	103.59	39.25
PRCISW8068-3	94.88	79.50	56.63	76.91	30.24	60.56	63.59	26.75
PRCISW80611-3	94.88	82.50	56.63	79.91	31.42	60.56	66.59	28.01
PRCISW8070T-3	94.88	86.50	56.63	83.91	32.99	60.56	70.59	29.69
PRCISW8080-3	94.88	95.50	56.63	92.91	36.53	60.56	79.59	33.47
PRCISW8080T-3	94.88	98.50	56.63	95.91	37.71	60.56	82.59	34.74
PRCISW8090-3	94.88	107.50	56.63	104.91	41.25	60.56	91.59	38.52
PRCISW80100-3	94.88	119.50	56.63	116.91	45.97	60.56	103.59	43.57
PRCISW9068-3	106.88	79.50	64.63	76.91	34.51	72.56	63.59	32.05
PRCISW90611-3	106.88	82.50	64.63	79.91	35.86	72.56	66.59	33.56
PRCISW9070T-3	106.88	86.50	64.63	83.91	37.66	72.56	70.59	35.57
PRCISW9080-3	106.88	95.50	64.63	92.91	41.69	72.56	79.59	40.11
PRCISW9080T-3	106.88	98.50	64.63	95.91	43.04	72.56	82.59	41.62
PRCISW9090-3	106.88	107.50	64.63	104.91	47.08	72.56	91.59	46.15
PRCISW90100-3	106.88	119.50	64.63	116.91	52.47	72.56	103.59	52.20
PRCISW9668-3	112.88	79.50	68.63	76.91	36.65	78.56	63.59	34.70
PRCISW96611-3	112.88	82.50	68.63	79.91	38.08	78.56	66.59	36.33
PRCISW9670T-3	112.88	86.50	68.63	83.91	39.99	78.56	70.59	38.51
PRCISW9680-3	112.88	95.50	68.63	92.91	44.28	78.56	79.59	43.42
PRCISW9680T-3	112.88	98.50	68.63	95.91	45.71	78.56	82.59	45.06
PRCISW9690-3	112.88	107.50	68.63	104.91	49.99	78.56	91.59	49.97
PRCISW96100-3	112.88	119.50	68.63	116.91	55.71	78.56	103.59	56.52
PRCISW10668-3	124.88	79.50	76.63	76.91	40.92	90.56	63.59	39.99
PRCISW106611-3	124.88	82.50	76.63	79.91	42.52	90.56	66.59	41.88
PRCISW10670T-3	124.88	86.50	76.63	83.91	44.65	90.56	70.59	44.40
PRCISW10680-3	124.88	95.50	76.63	92.91	49.44	90.56	79.59	50.06
PRCISW10680T-3	124.88	98.50	76.63	95.91	51.03	90.56	82.59	51.94
PRCISW10690-3	124.88	107.50	76.63	104.91	55.82	90.56	91.59	57.60
PRCISW106100-3	124.88	119.50	76.63	116.91	62.21	90.56	103.59	65.15
PRCISW11068-3	130.88	79.50	80.63	76.91	43.06	96.56	63.59	42.64
PRCISW110611-3	130.88	82.50	80.63	79.91	44.74	96.56	66.59	44.66
PRCISW11070T-3	130.88	86.50	80.63	83.91	46.98	96.56	70.59	47.34
PRCISW11080-3	130.88	95.50	80.63	92.91	52.02	96.56	79.59	53.37
PRCISW11080T-3	130.88	98.50	80.63	95.91	53.70	96.56	82.59	55.39
PRCISW11090-3	130.88	107.50	80.63	95.91	53.70	96.56	82.59	55.39
PRCISW110100-3	130.88	119.50	80.63	95.91	53.70	96.56	82.59	55.39

NOTES: [3] Assumes a configuration with a French Door and a single flanking stationary panel.



**CLEAR OPENING DESIGN DATA TABLES**

<b>Four Panel [4]</b>								
<b>Unit Number Bookcode</b>	<b>Frame Width</b>	<b>Frame Height</b>	<b>Clear Opening Width [4]</b>	<b>Clear Opening Height [1]</b>	<b>Vent Area Sq. Ft.</b>	<b>Daylight Opening Width</b>	<b>Daylight Opening Height</b>	<b>Sq. Ft. Daylight Opening</b>
PRCISW8068-4	94.50	79.50	40.63	76.91	21.70	48.75	63.59	21.53
PRCISW80611-4	94.50	82.50	40.63	79.91	22.54	48.75	66.59	22.54
PRCISW8070T-4	94.50	86.50	40.63	83.91	23.67	48.75	70.59	23.90
PRCISW8080-4	94.50	95.50	40.63	92.91	26.21	48.75	79.59	26.95
PRCISW8080T-4	94.50	98.50	40.63	95.91	27.06	48.75	82.59	27.96
PRCISW8090-4	94.50	107.50	40.63	104.91	29.60	48.75	91.59	31.01
PRCISW80100-4	94.50	119.50	40.63	116.91	32.98	48.75	103.59	35.07
PRCISW10068-4	118.50	79.50	52.63	76.91	28.11	72.75	63.59	32.13
PRCISW100611-4	118.50	82.50	52.63	79.91	29.20	72.75	66.59	33.64
PRCISW10070T-4	118.50	86.50	52.63	83.91	30.66	72.75	70.59	35.66
PRCISW10080-4	118.50	95.50	52.63	92.91	33.95	72.75	79.59	40.21
PRCISW10080T-4	118.50	98.50	52.63	95.91	35.05	72.75	82.59	41.73
PRCISW10090-4	118.50	107.50	52.63	104.91	38.34	72.75	91.59	46.27
PRCISW100100-4	118.50	119.50	52.63	116.91	42.72	72.75	103.59	52.34
PRCISW10668-4	126.50	79.50	56.63	76.91	30.24	80.75	63.59	35.66
PRCISW106611-4	126.50	82.50	56.63	79.91	31.42	80.75	66.59	37.34
PRCISW10670T-4	126.50	86.50	56.63	83.91	32.99	80.75	70.59	39.59
PRCISW10680-4	126.50	95.50	56.63	92.91	36.53	80.75	79.59	44.63
PRCISW10680T-4	126.50	98.50	56.63	95.91	37.71	80.75	82.59	46.32
PRCISW10690-4	126.50	107.50	56.63	104.91	41.25	80.75	91.59	51.36
PRCISW106100-4	126.50	119.50	56.63	116.91	45.97	80.75	103.59	58.09
PRCISW12068-4	142.50	79.50	64.63	76.91	34.51	96.75	63.59	42.73
PRCISW120611-4	142.50	82.50	64.63	79.91	35.86	96.75	66.59	44.74
PRCISW12070T-4	142.50	86.50	64.63	83.91	37.66	96.75	70.59	47.43
PRCISW12080-4	142.50	95.50	64.63	92.91	41.69	96.75	79.59	53.48
PRCISW12080T-4	142.50	98.50	64.63	95.91	43.04	96.75	82.59	55.49
PRCISW12090-4	142.50	107.50	64.63	104.91	47.08	96.75	91.59	61.54
PRCISW120100-4	142.50	119.50	64.63	116.91	52.47	96.75	103.59	69.60
PRCISW12668-4	150.50	79.50	68.63	76.91	36.65	104.75	63.59	46.26
PRCISW126611-4	150.50	82.50	68.63	79.91	38.08	104.75	66.59	48.44
PRCISW12670T-4	150.50	86.50	68.63	83.91	39.99	104.75	70.59	51.35
PRCISW12680-4	150.50	95.50	68.63	92.91	44.28	104.75	79.59	57.90
PRCISW12680T-4	150.50	98.50	68.63	95.91	45.71	104.75	82.59	60.08
PRCISW12690-4	150.50	107.50	68.63	104.91	49.99	104.75	91.59	66.63
PRCISW126100-4	150.50	119.50	68.63	116.91	55.71	104.75	103.59	75.36
PRCISW14068-4	166.50	79.50	76.63	76.91	40.92	120.75	63.59	53.33
PRCISW140611-4	166.50	82.50	76.63	79.91	42.52	120.75	66.59	55.84
PRCISW14070T-4	166.50	86.50	76.63	83.91	44.65	120.75	70.59	59.20
PRCISW14080-4	166.50	95.50	76.63	92.91	49.44	120.75	79.59	66.74
PRCISW14080T-4	166.50	98.50	76.63	95.91	51.03	120.75	82.59	69.26
PRCISW14090-4	166.50	107.50	76.63	104.91	55.82	120.75	91.59	76.81
PRCISW140100-4	166.50	119.50	76.63	116.91	62.21	120.75	103.59	86.87
PRCISW14668-4	174.50	79.50	80.63	76.91	43.06	128.75	63.59	56.86
PRCISW146611-4	174.50	82.50	80.63	79.91	44.74	128.75	66.59	59.54
PRCISW14670T-4	174.50	86.50	80.63	83.91	46.98	128.75	70.59	63.12
PRCISW14680-4	174.50	95.50	80.63	92.91	52.02	128.75	79.59	71.16
PRCISW14680T-4	174.50	98.50	80.63	95.91	53.70	128.75	82.59	73.85
PRCISW14690-4	174.50	107.50	80.63	95.91	53.70	128.75	82.59	73.85
PRCISW146100-4	174.50	119.50	80.63	95.91	53.70	128.75	82.59	73.85

NOTES: [4] Assumes a configuration with a French Door and two flanking stationary panels.





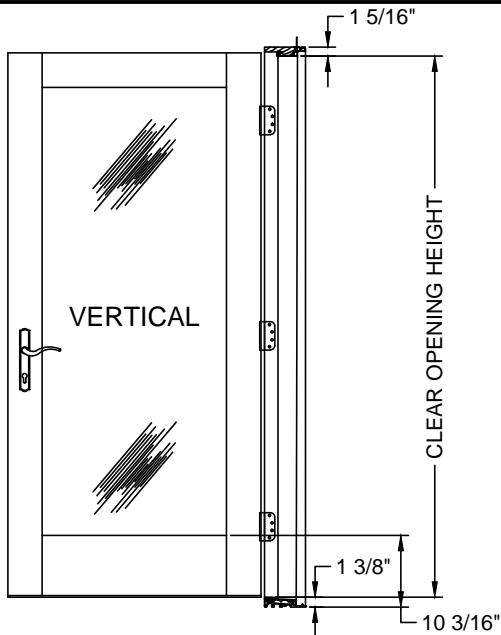
VENTING SIDELITE OPENING & DESIGN DATA TABLE

---

Venting Sidelight								
Unit Number Bookcode	Frame Width	Frame Height	Clear Opening Width	Clear Opening Height	Vent Area Sq. Ft.	Daylight Opening Width	Daylight Opening Height	Sq. Ft. Daylight Opening
PRCISW1268	14.63	79.50	10.02	76.84	5.35	7.94	63.59	3.51
PRCISW12611	14.63	82.50	10.02	79.84	5.56	7.94	66.59	3.67
PRCISW1270T	14.63	86.50	10.02	83.84	5.84	7.94	70.59	3.89
PRCISW1280	14.63	95.50	10.02	92.84	6.46	7.94	79.59	4.39
PRCISW1468	16.63	79.50	12.02	76.84	6.42	9.94	63.59	4.39
PRCISW14611	16.63	82.50	12.02	79.84	6.67	9.94	66.59	4.60
PRCISW1470T	16.63	86.50	12.02	83.84	7.00	9.94	70.59	4.87
PRCISW1480	16.63	95.50	12.02	92.84	7.75	9.94	79.59	5.49
PRCISW1668	18.63	79.50	14.02	76.84	7.48	11.94	63.59	5.27
PRCISW16611	18.63	82.50	14.02	79.84	7.78	11.94	66.59	5.52
PRCISW1670T	18.63	86.50	14.02	83.84	8.16	11.94	70.59	5.85
PRCISW1680	18.63	95.50	14.02	92.84	9.04	11.94	79.59	6.60

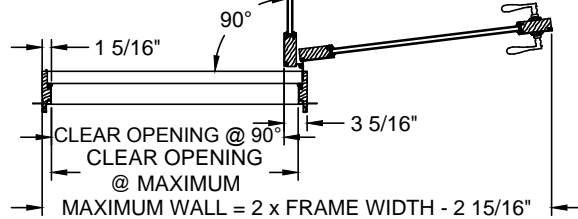


**CLEAR OPENING LAYOUT**

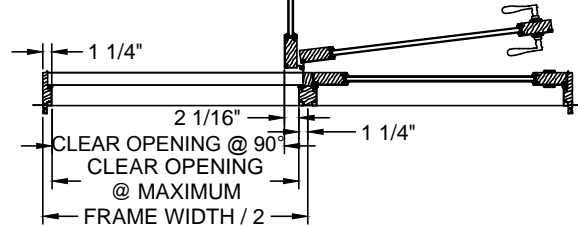


**VERTICAL**  
Clear Opening Height Formulas:  
With DP35 Sill  
**Clear Opening Height** = Frame Height - 2 21/32"

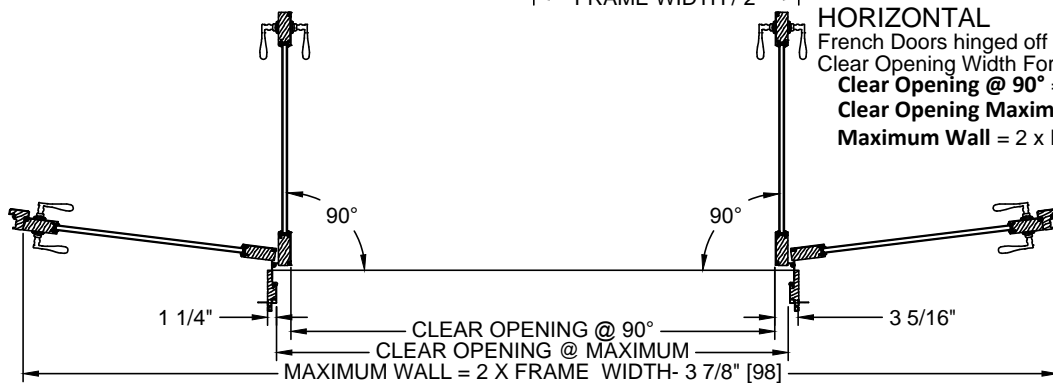
**HORIZONTAL**  
Clear Opening Width Formulas (1-Panel):  
**Clear Opening @ 90°** = Frame Width - 4 19/32"  
**Clear Opening Maximum** = Frame Width - 2 9/16"  
**Maximum Wall** = 2 x Frame Width - 2 15/16"



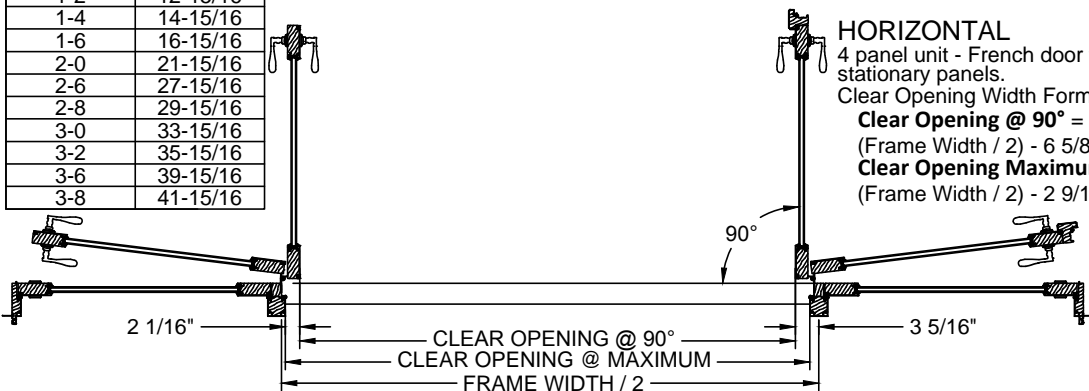
**HORIZONTAL**  
2 Panel unit hinged from fixed mullion.  
Clear Opening Width Formulas:  
**Clear Opening @ 90°**  
= (Frame Width / 2) - 4 19/32"  
**Clear Opening @ Maximum**  
= (Frame Width / 2) - 2 9/16"



**HORIZONTAL**  
French Doors hinged off jamb  
Clear Opening Width Formulas:  
**Clear Opening @ 90°** = Frame Width - 6-5/8"  
**Clear Opening Maximum** = Frame Width - 2 9/16"  
**Maximum Wall** = 2 x Frame Width - 3 7/8"



Panel Callout	Panel Width
1-2	12-15/16
1-4	14-15/16
1-6	16-15/16
2-0	21-15/16
2-6	27-15/16
2-8	29-15/16
3-0	33-15/16
3-2	35-15/16
3-6	39-15/16
3-8	41-15/16



**HORIZONTAL**  
4 panel unit - French door flanked by two stationary panels.  
Clear Opening Width Formulas:  
**Clear Opening @ 90°** = (Frame Width / 2) - 6 5/8"  
**Clear Opening Maximum** = (Frame Width / 2) - 2 9/16"



**UNIT SIZING, ROUGH OPENING & MASONRY OPENINGS**

General Notes:

Unit size is always the maximum size of the window with or without trim and does not include nail fin.

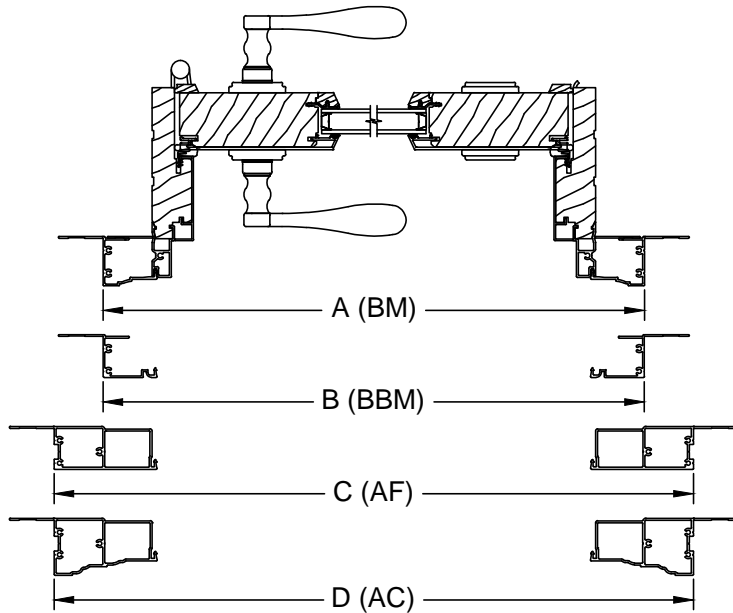
Masonry Opening:

Masonry opening is always 1/2" over (height and width) the unit size or the outside of the trim of the window.

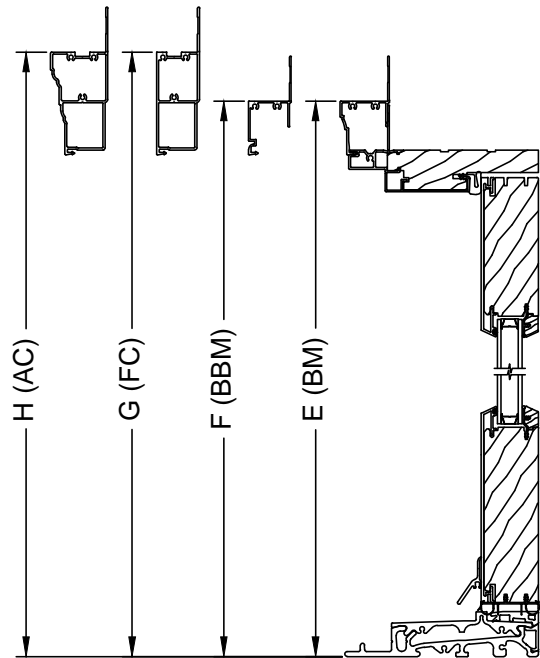
Rough Opening:

Rough opening is always 3/4" over frame size of the window.

Horizontal exterior trim offerings below are the same with or without sill nose.



Vertical exterior trim offerings with standard sill nosing. Trim on 3 sides.

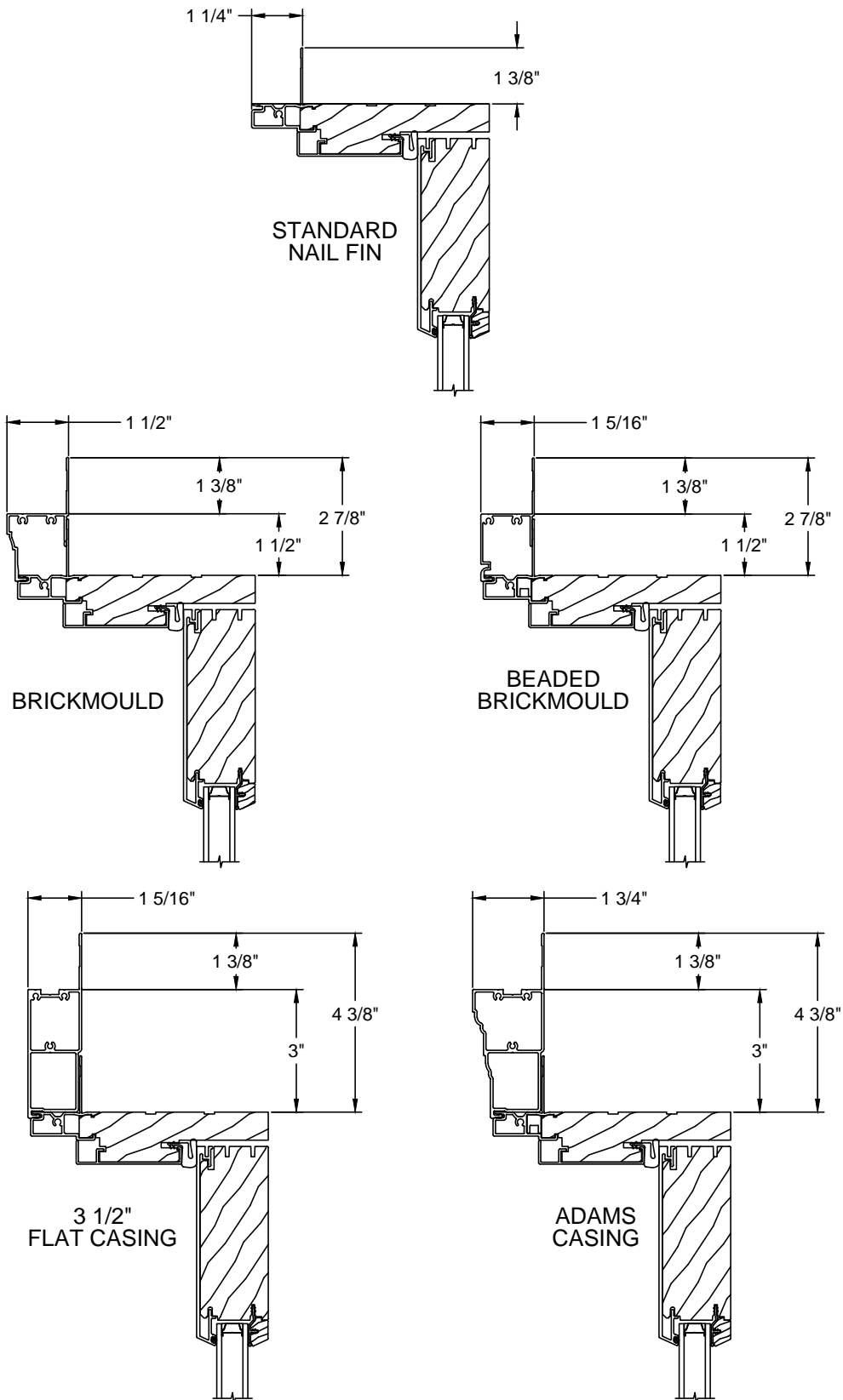


Horizontal Sections		
Trim Option	Dimension	Frame +
Brickmould (BM)	A	3"
Beaded Brickmould (BBM)	B	3"
3 1/2" Flat Casing (FC)	C	6"
Adams Casing (AC)	D	6"

Vertical Sections		
Trim Option	Dimension	Frame +
Brickmould (BM)	E	1 1/2"
Beaded Brickmould (BBM)	F	1 1/2"
3 1/2" Flat Casing (FC)	G	3"
Adams Casing (AC)	H	3"

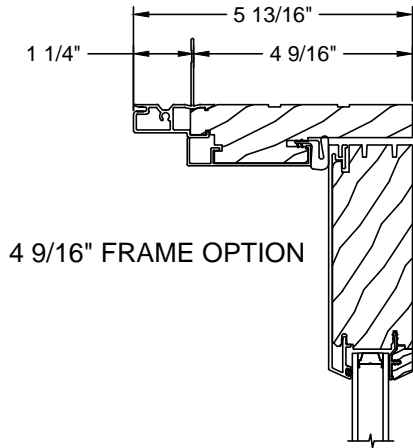


TRIM OPTIONS

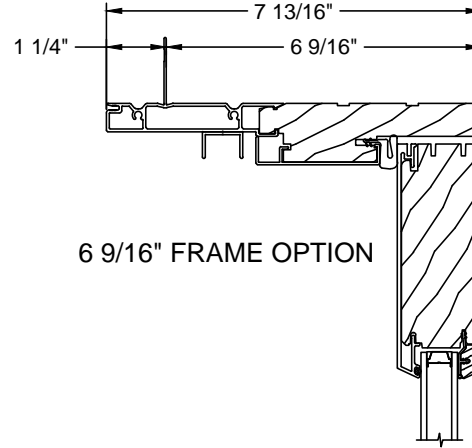




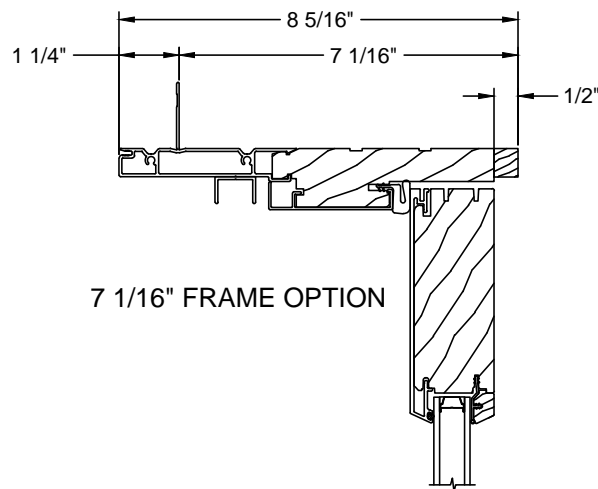
FRAME OPTIONS



4 9/16" FRAME OPTION



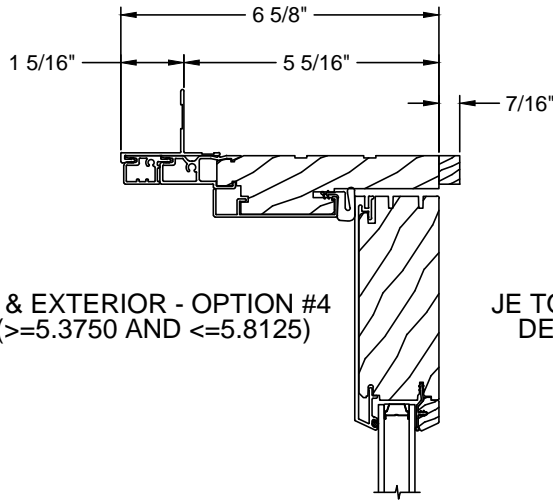
6 9/16" FRAME OPTION



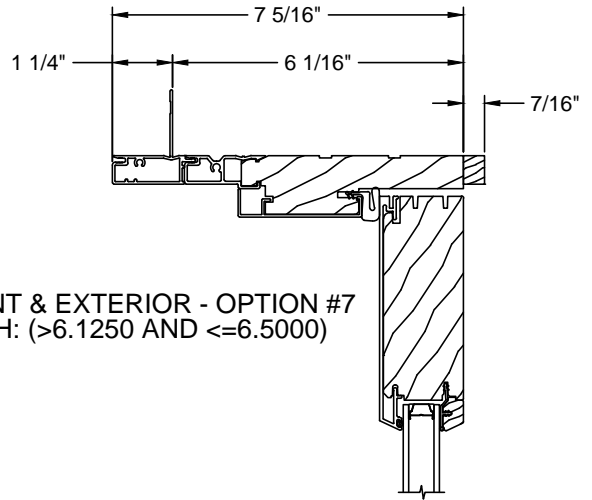
7 1/16" FRAME OPTION



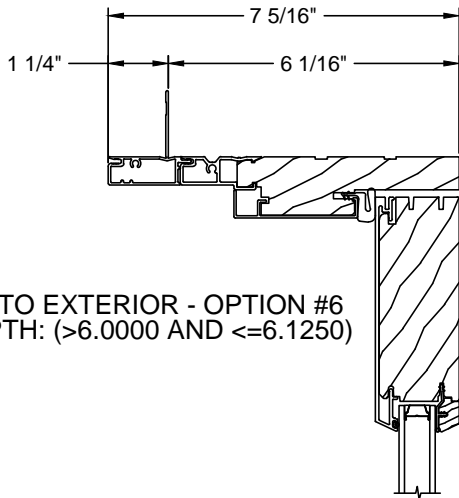
JAMB EXTENDER OPTIONS



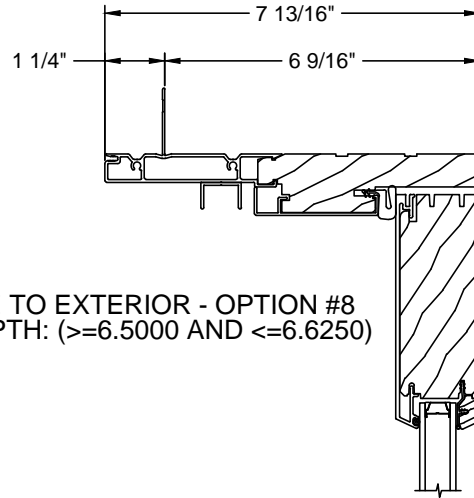
JE TO INT & EXTERIOR - OPTION #4  
DEPTH: (>=5.3750 AND <=5.8125)



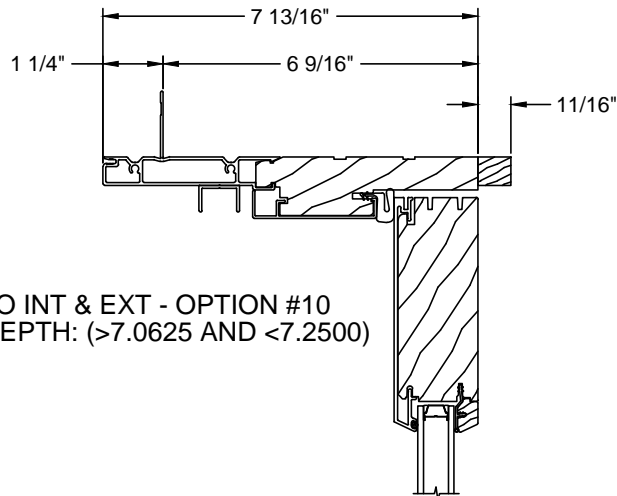
JE TO INT & EXTERIOR - OPTION #7  
DEPTH: (>6.1250 AND <=6.5000)



JE TO EXTERIOR - OPTION #6  
DEPTH: (>6.0000 AND <=6.1250)



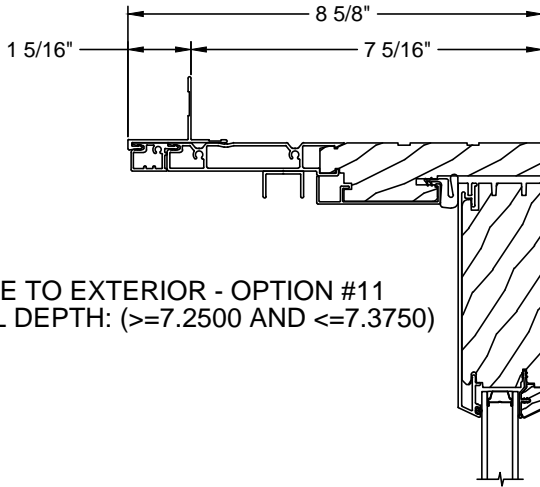
JE TO EXTERIOR - OPTION #8  
DEPTH: (>=6.5000 AND <=6.6250)



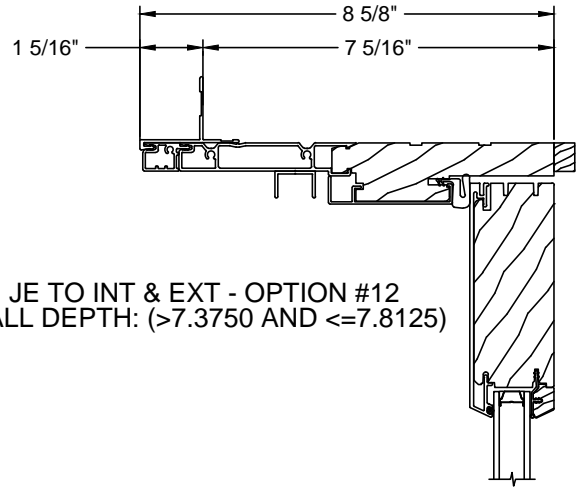
JE TO INT & EXT - OPTION #10  
WALL DEPTH: (>7.0625 AND <7.2500)



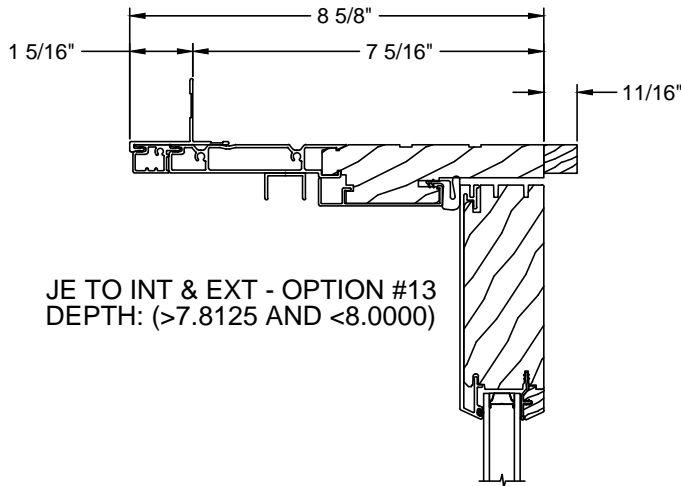
JAMB EXTENDER OPTIONS



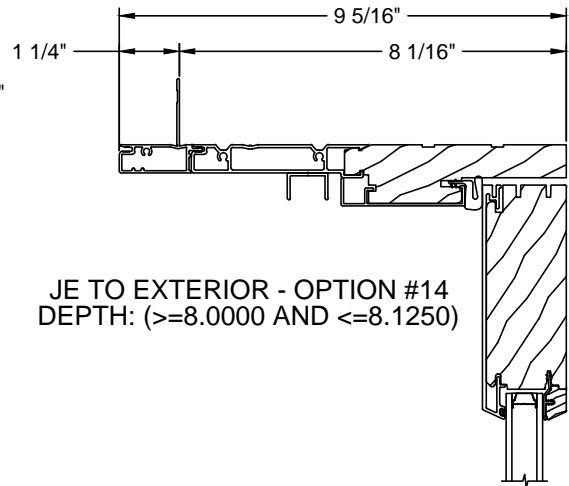
JE TO EXTERIOR - OPTION #11  
WALL DEPTH: (>=7.2500 AND <=7.3750)



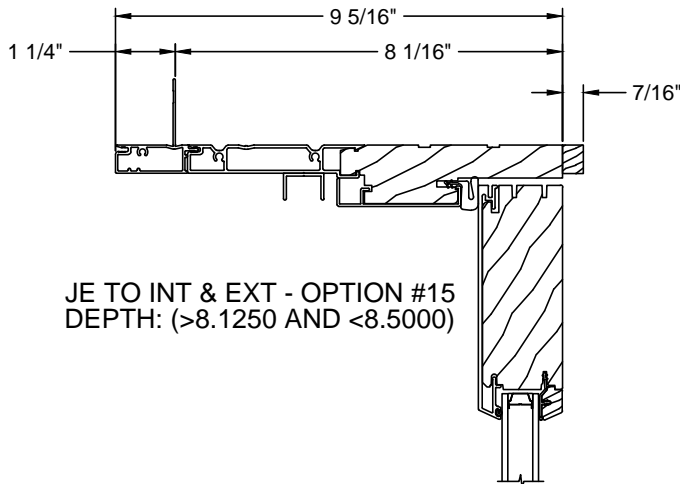
JE TO INT & EXT - OPTION #12  
WALL DEPTH: (>7.3750 AND <=7.8125)



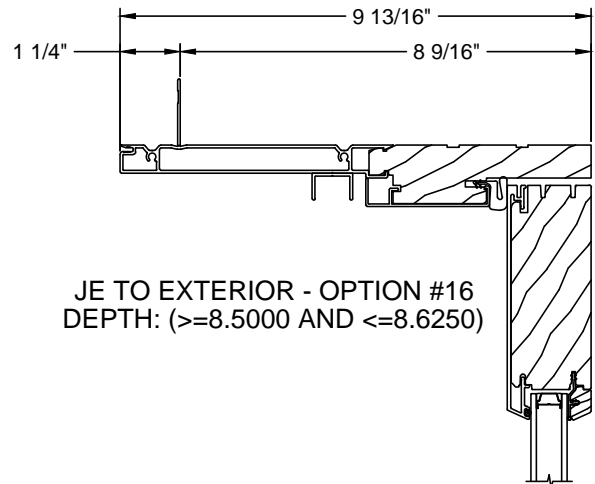
JE TO INT & EXT - OPTION #13  
DEPTH: (>7.8125 AND <8.0000)



JE TO EXTERIOR - OPTION #14  
DEPTH: (>=8.0000 AND <=8.1250)



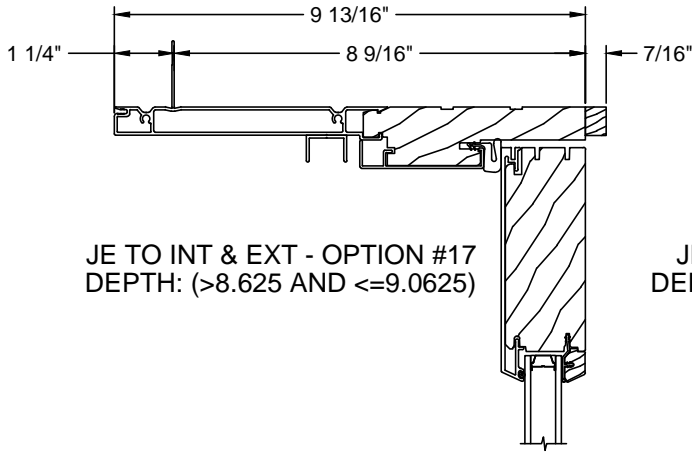
JE TO INT & EXT - OPTION #15  
DEPTH: (>8.1250 AND <8.5000)



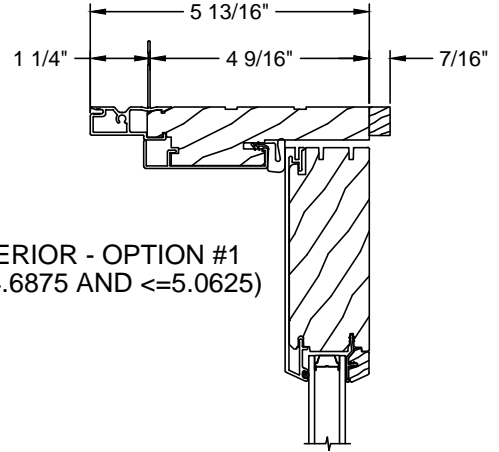
JE TO EXTERIOR - OPTION #16  
DEPTH: (>=8.5000 AND <=8.6250)



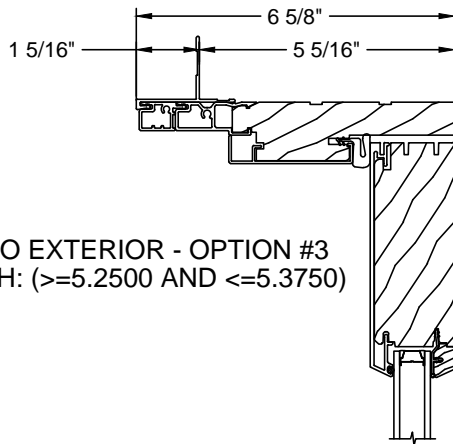
JAMB EXTENDER OPTIONS



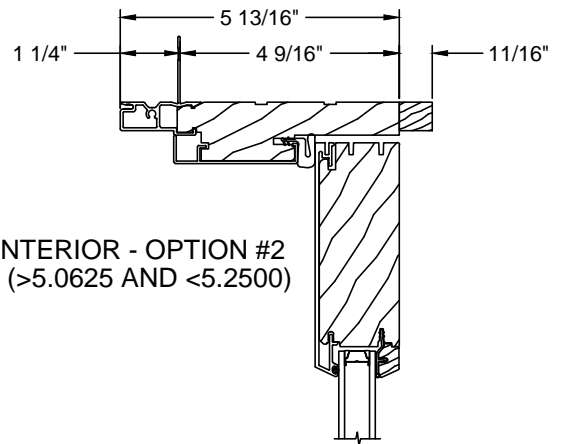
JE TO INT & EXT - OPTION #17  
DEPTH: (>8.625 AND <=9.0625)



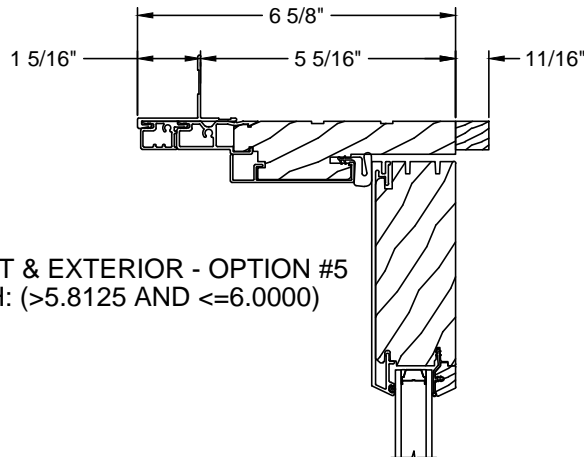
JE TO INTERIOR - OPTION #1  
DEPTH: (>=4.6875 AND <=5.0625)



JE TO EXTERIOR - OPTION #3  
DEPTH: (>=5.2500 AND <=5.3750)



JE TO INTERIOR - OPTION #2  
DEPTH: (>5.0625 AND <5.2500)



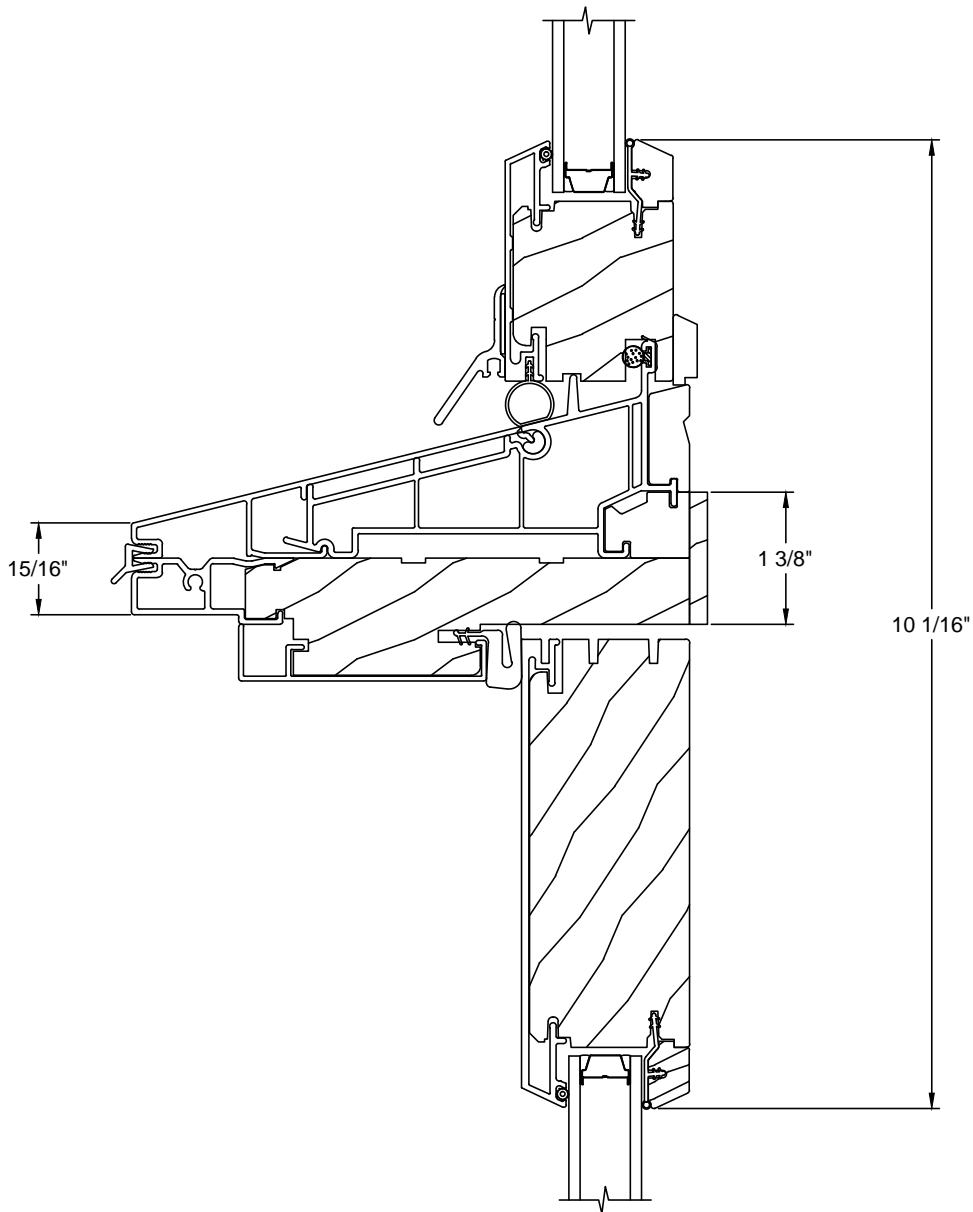
JE TO INT & EXTERIOR - OPTION #5  
DEPTH: (>5.8125 AND <=6.0000)





VERTICAL MULLION SECTION-TRANSOM WIDE STILE

---

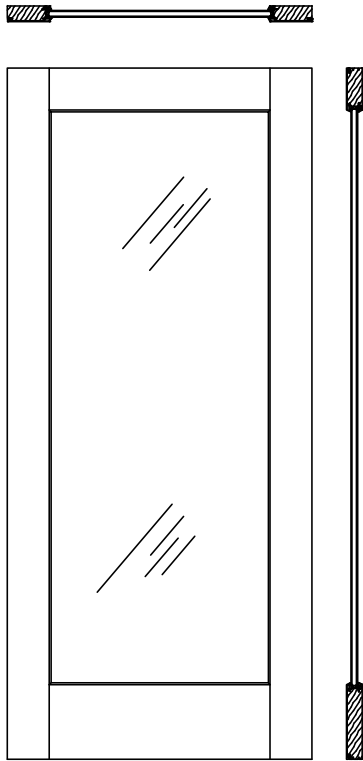


VERTICAL MULL SECTION  
TRANSOM OVER STILE UNIT

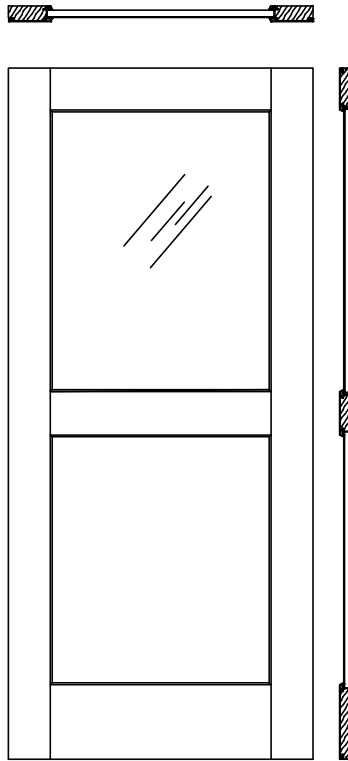


RAISED PANEL OPTIONS

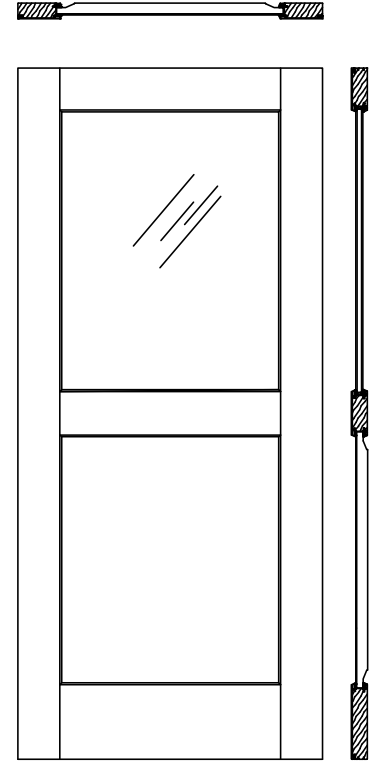
---



STANDARD GLAZED PANEL



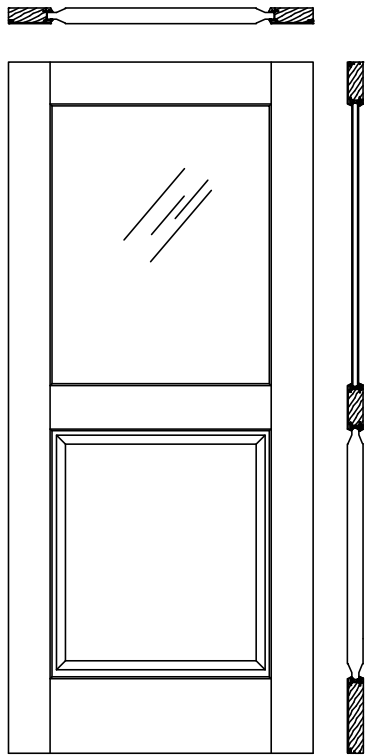
OPTION 1  
INTERIOR FLAT PANEL -  
EXTERIOR FLAT PANEL



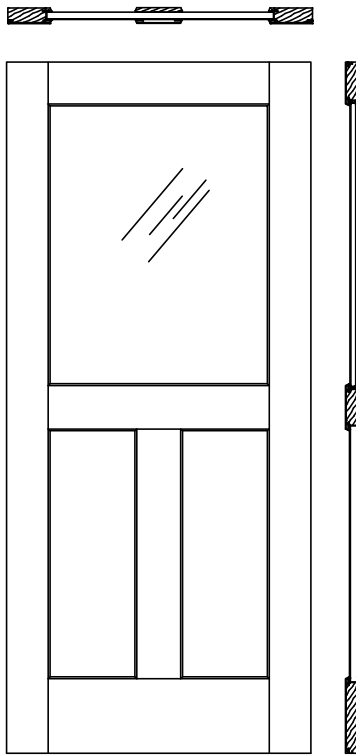
OPTION 2  
INTERIOR RAISED PANEL -  
EXTERIOR FLAT PANEL



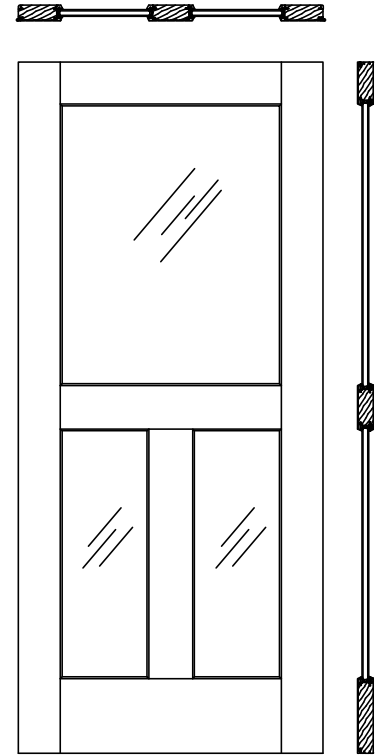
RAISED PANEL OPTIONS



OPTION 3  
INTERIOR RAISED PANEL -  
EXTERIOR RAISED PANEL



OPTION 4  
INTERIOR & EXTERIOR  
FLAT PANEL



OPTION 5  
INTERMEDIATE MEETING STILE  
WITH IG GLAZING  
GLASS ABOVE/BELOW



RAISED PANEL OPTIONS

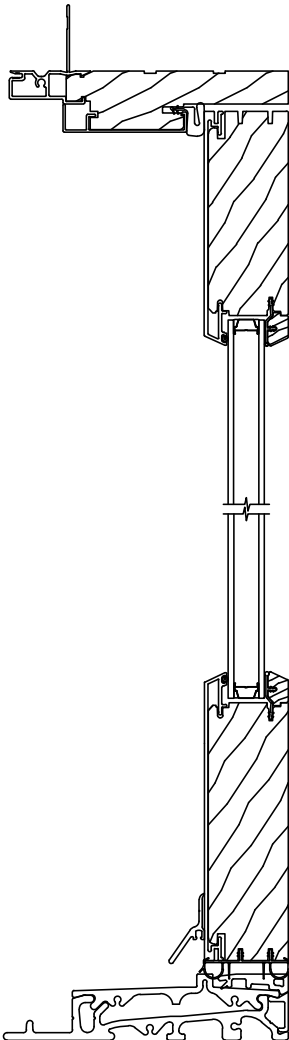
RAISED PANEL



FLAT PANEL WITH STILES



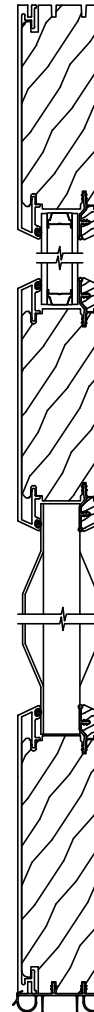
FLAT PANEL



INTERMEDIATE RAIL



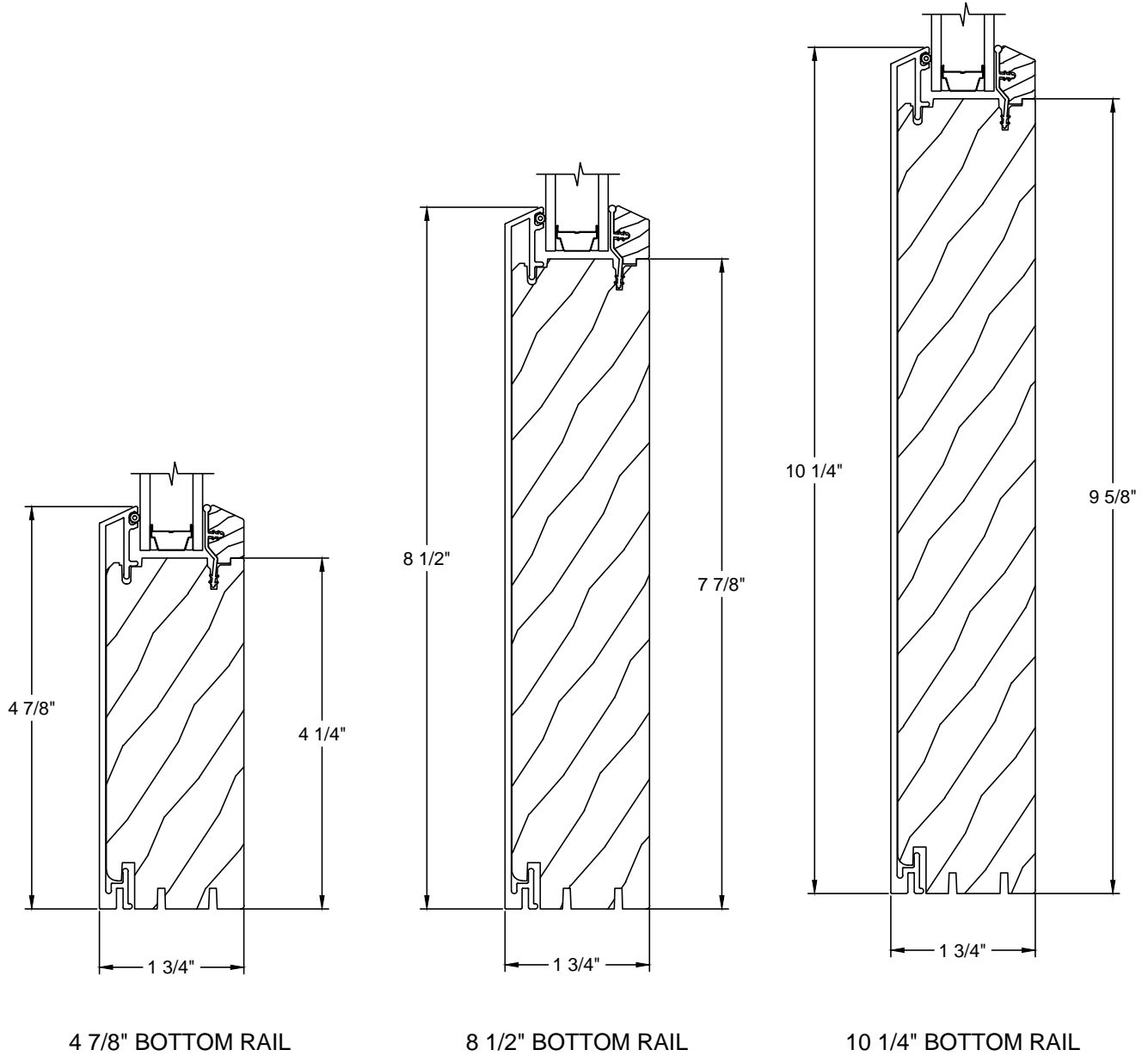
FLAT PANEL



RAISED PANEL



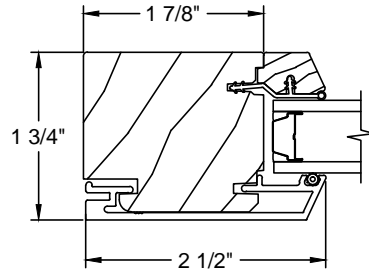
BOTTOM RAIL OPTIONS



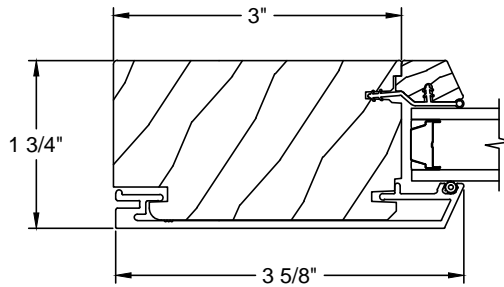


STILE OPTIONS

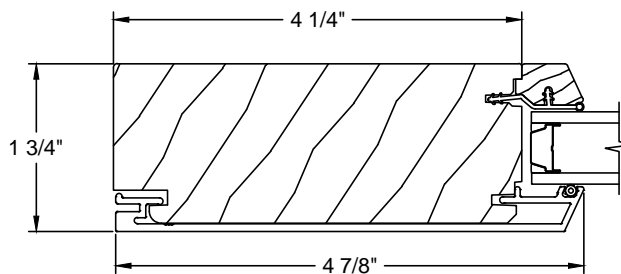
---



SIDELITE STILE



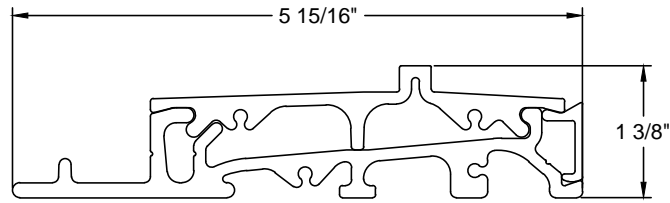
NARROW STILE



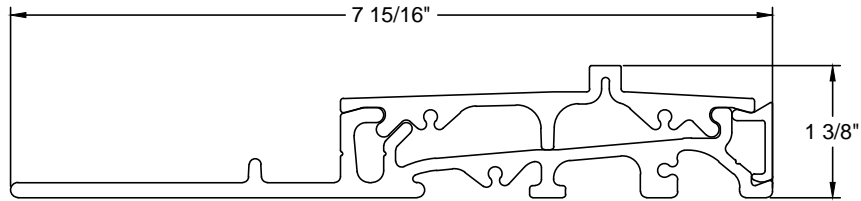
WIDE STILE



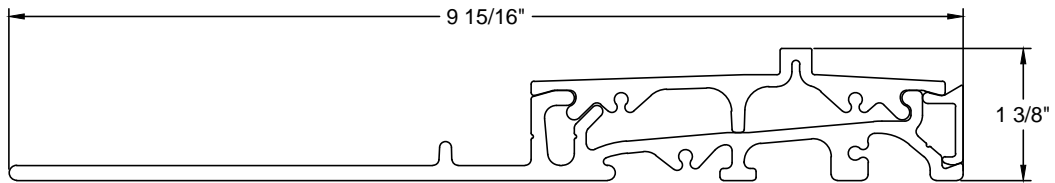
SILL OPTIONS



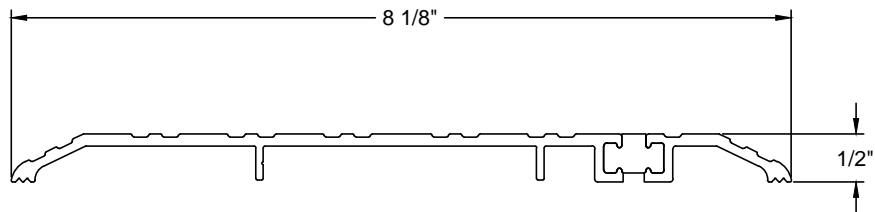
4 9/16" SILL



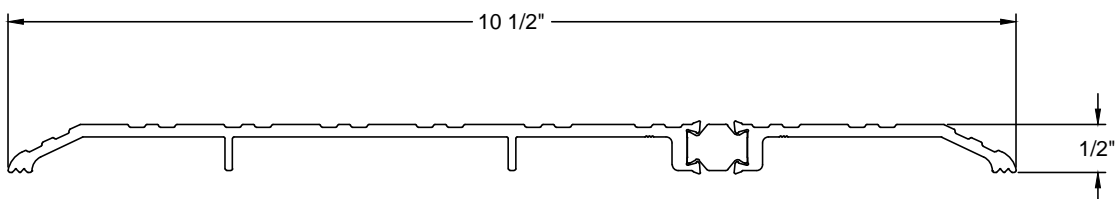
6 9/16" SILL



8 9/16" SILL



8 1/8" ADA SILL

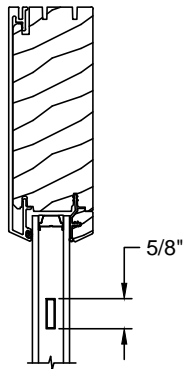


10 1/2" ADA SILL

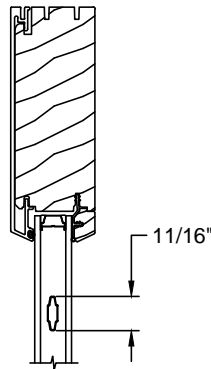


GRILLE BETWEEN GLASS (GBG) & WOOD GRILLE OPTIONS

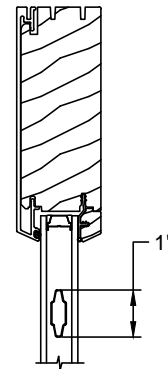
---



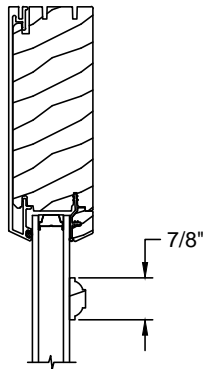
5/8" GBG



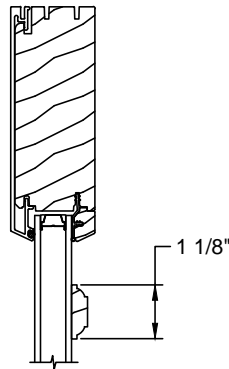
23/32" CONTOUR  
GBG



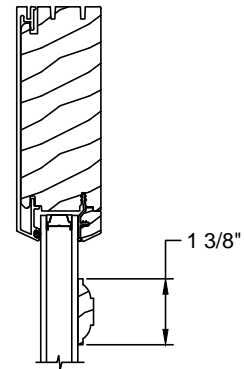
W/ 1" CONTOUR  
GBG



FULL SURROUND  
7/8" WOOD GRILLE



FULL SURROUND  
1 1/8" WOOD GRILLE

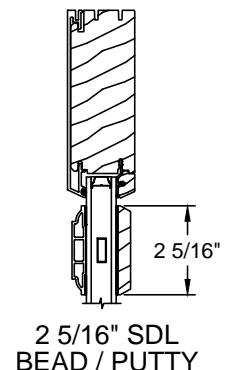
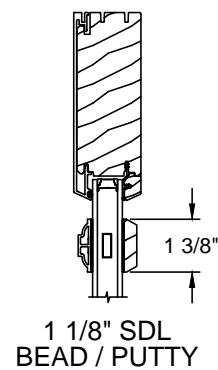
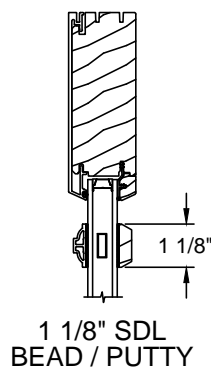
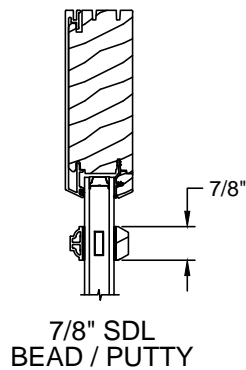
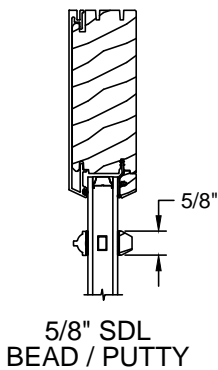
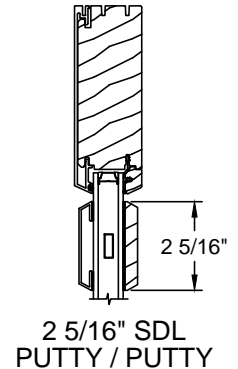
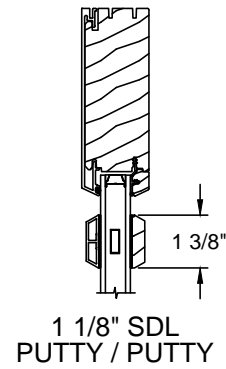
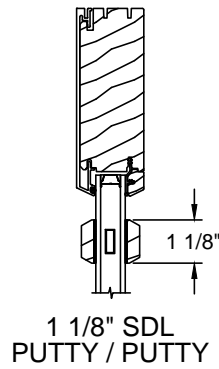
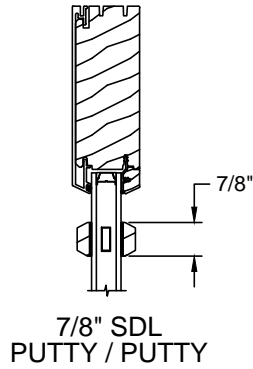
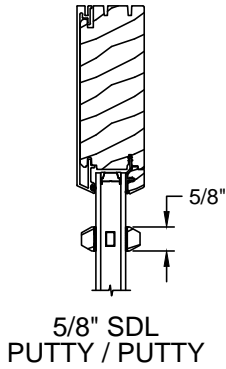
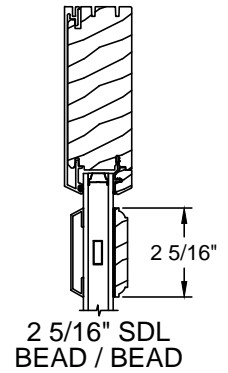
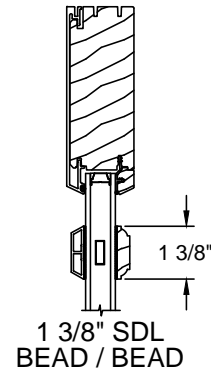
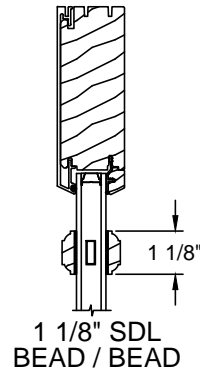
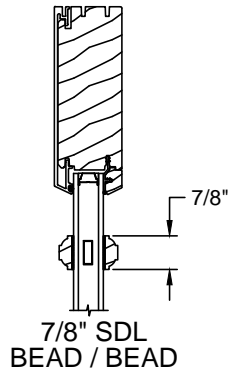
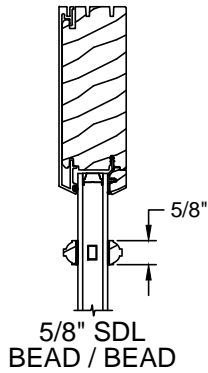


FULL SURROUND  
1 3/8" WOOD GRILLE



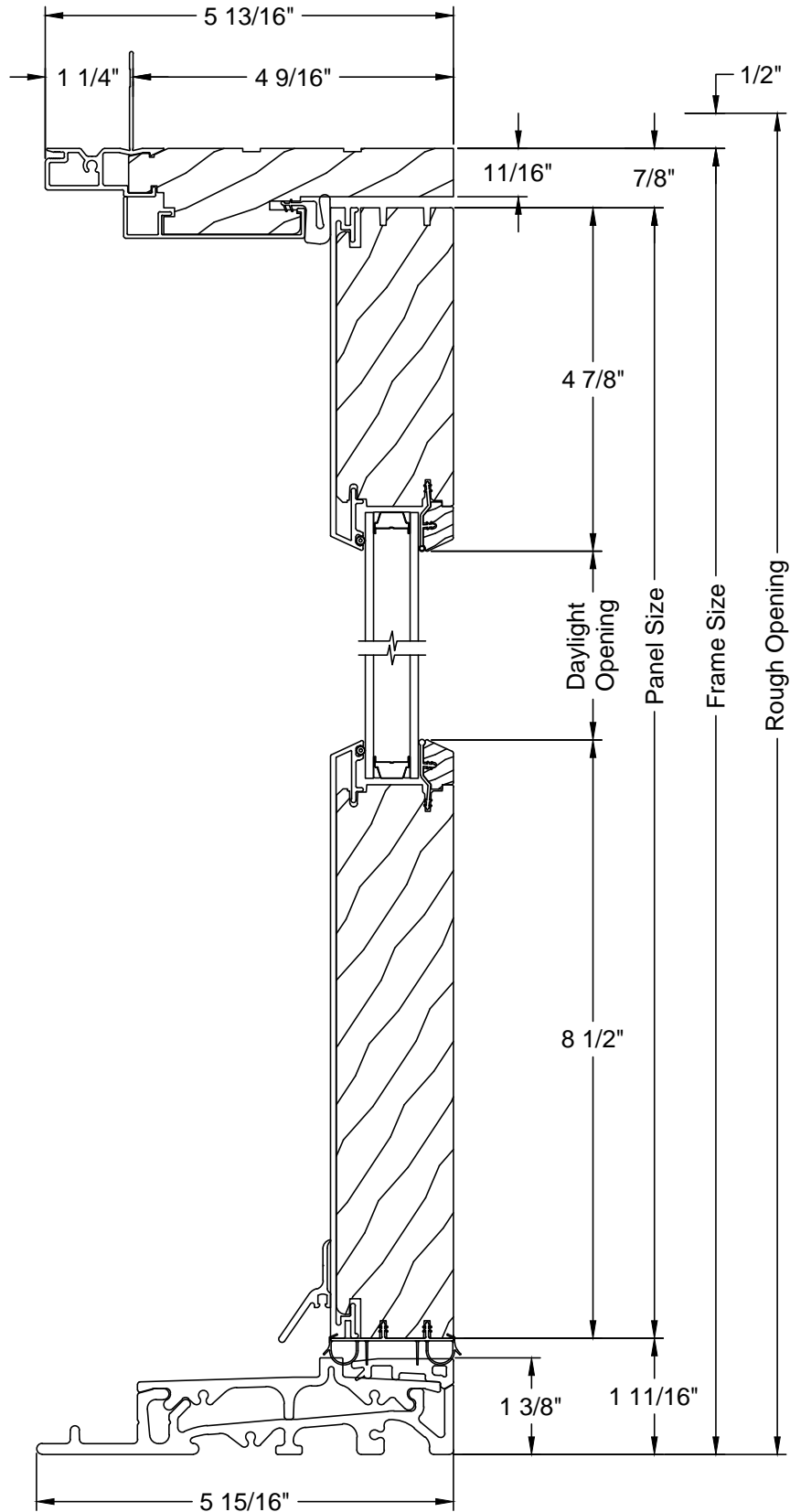


SIMULATED DIVIDED LITE (SDL) OPTIONS



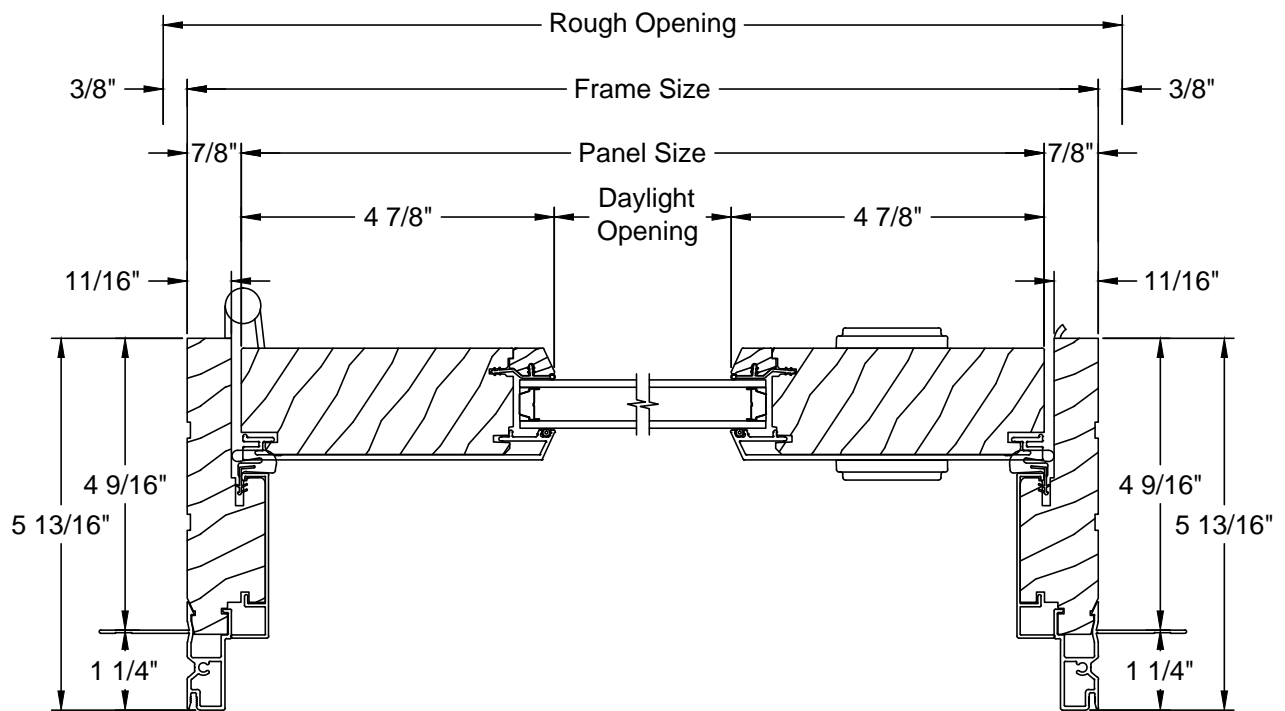


OPERATING - VERTICAL SECTION



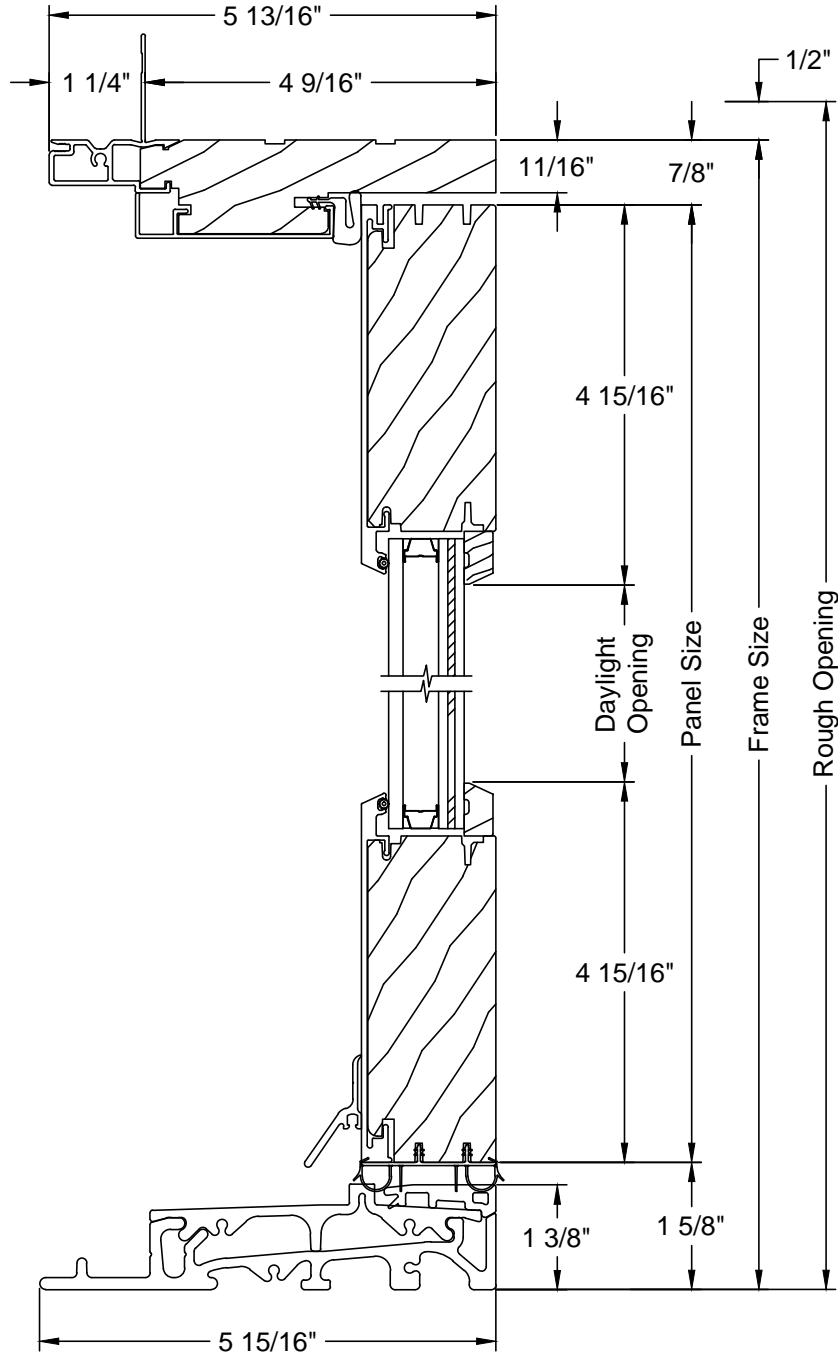


OPERATING - HORIZONTAL SECTION



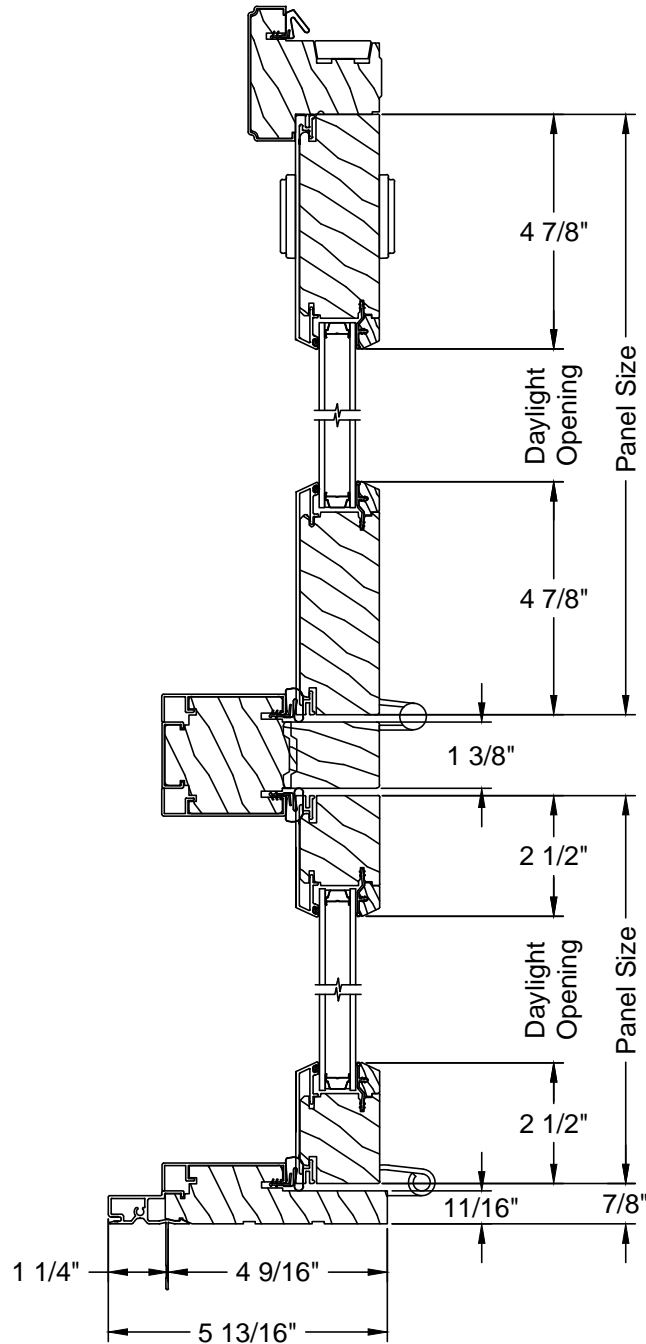


OPERATING IMPACT - VERTICAL SECTION



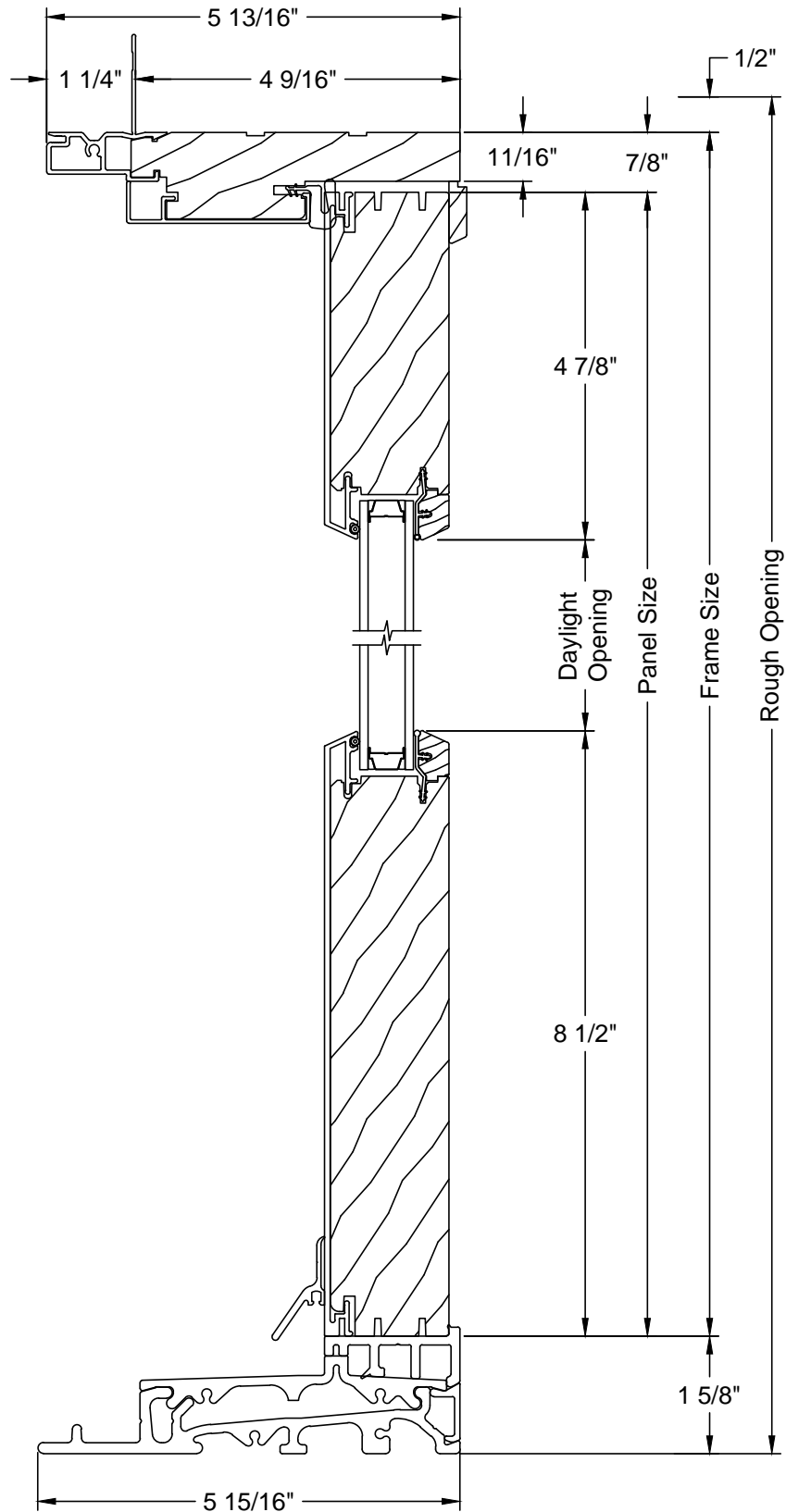


OPERATING QUAD - HORIZONTAL SECTION



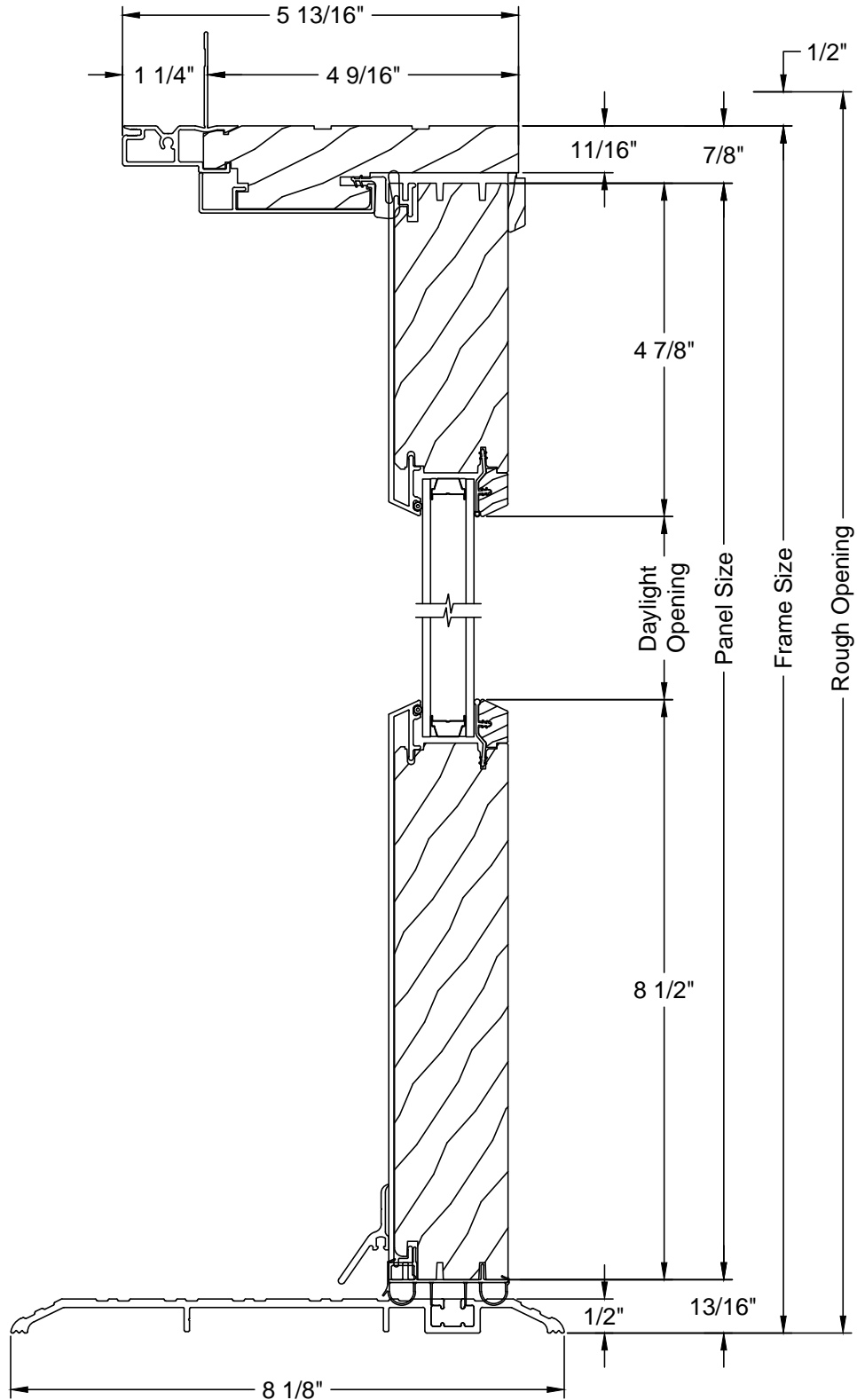


FIXED - VERTICAL SECTION





FIXED ADA - VERTICAL SECTION

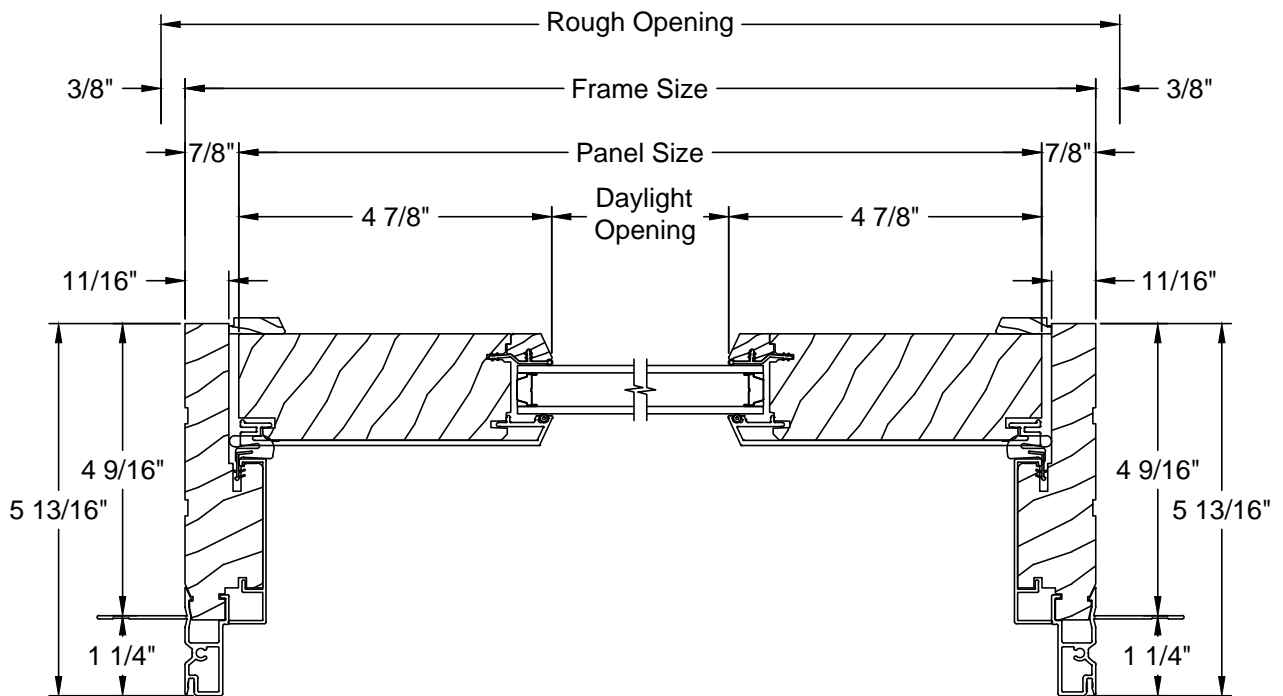






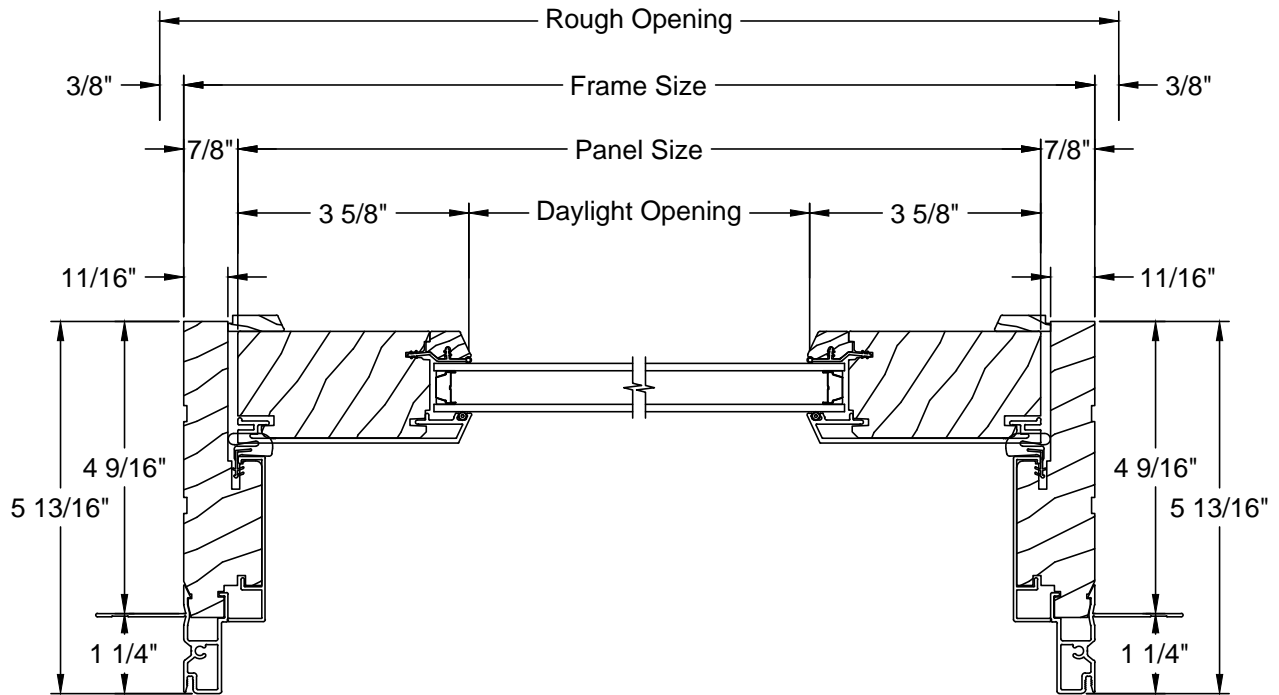


FIXED WIDE STILE - HORIZONTAL SECTION



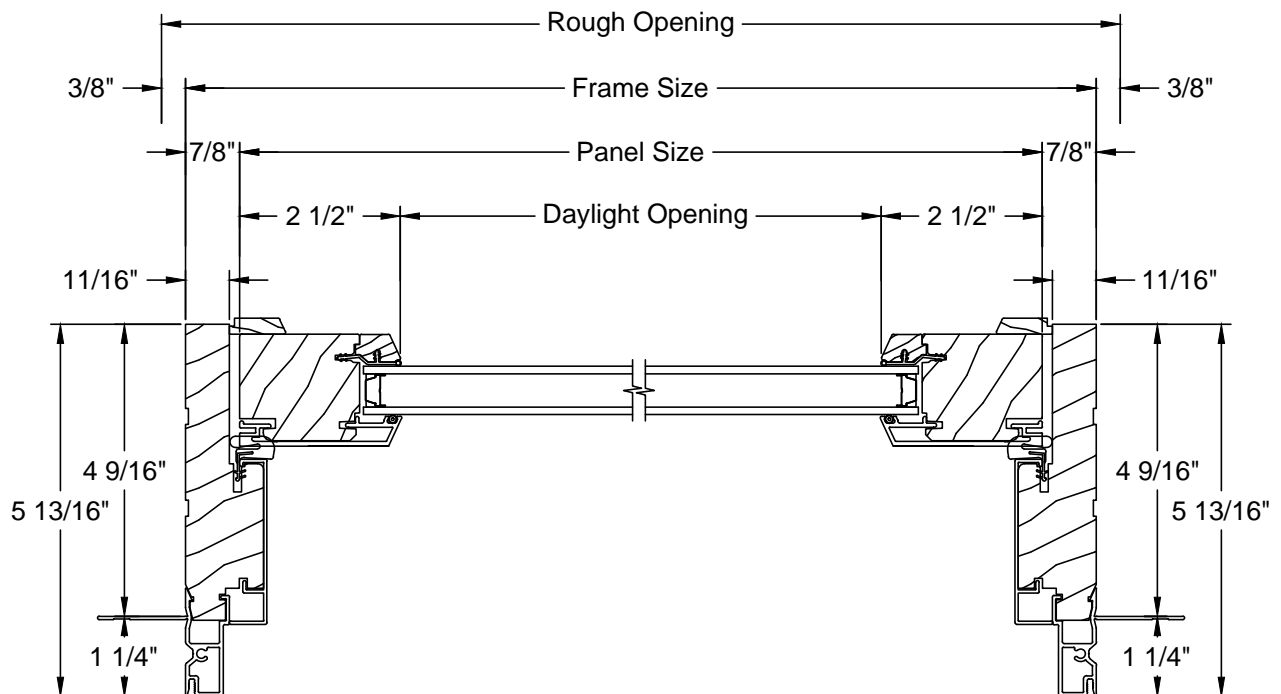


FIXED NARROW STILE - HORIZONTAL SECTION



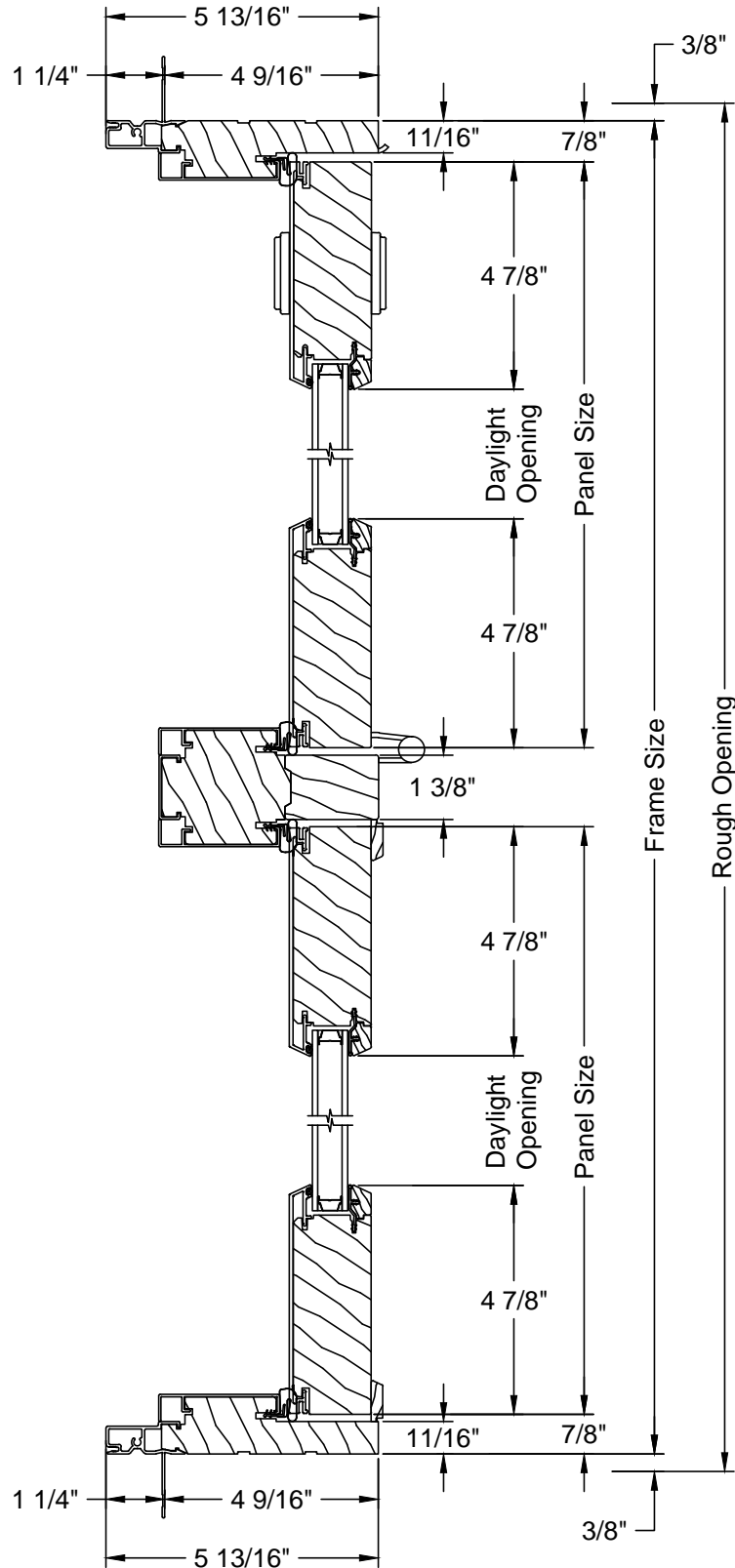


FIXED SIDELITE STILE - HORIZONTAL SECTION



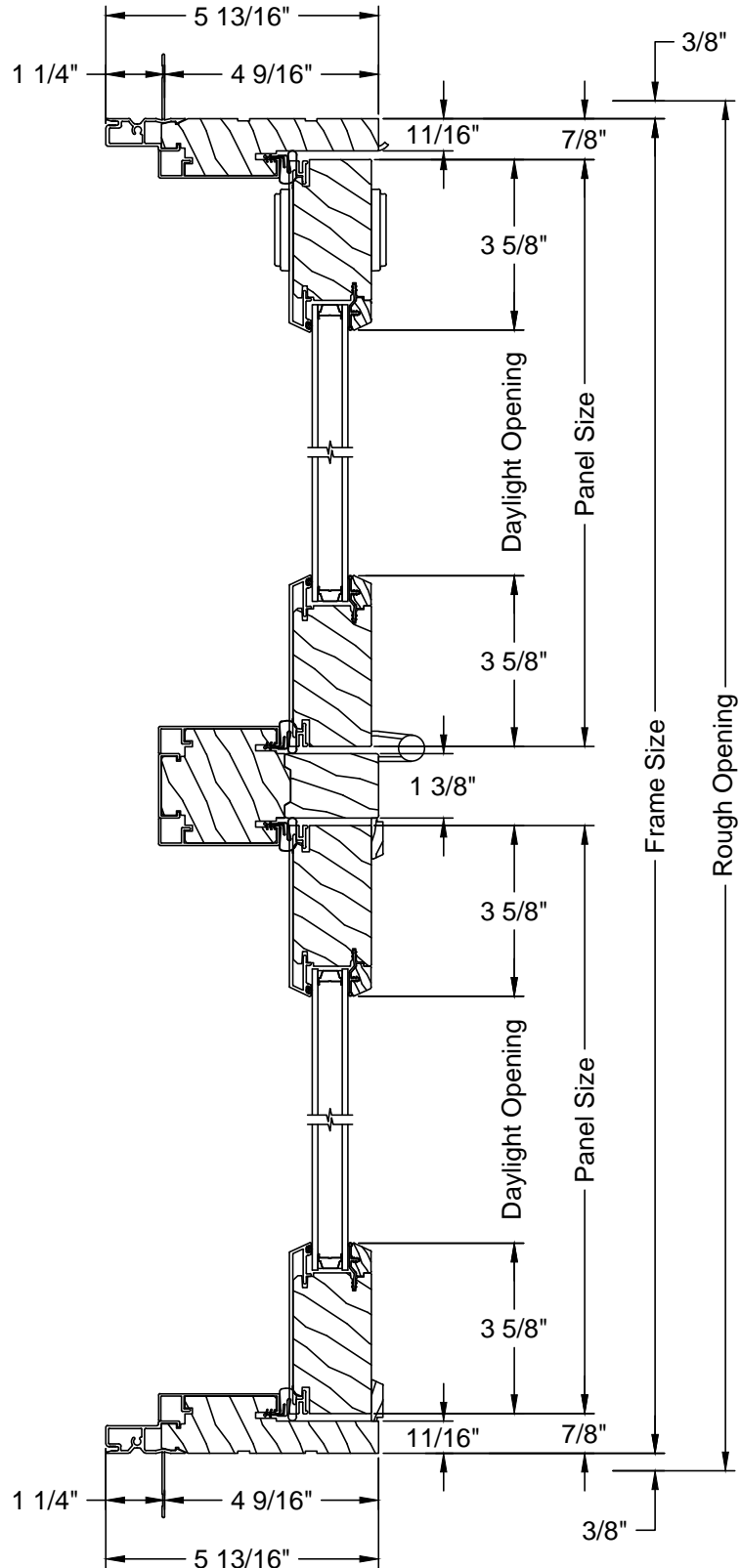


FIXED 2 PANEL WIDE STILE - HORIZONTAL SECTION w/ CENTER HINGED





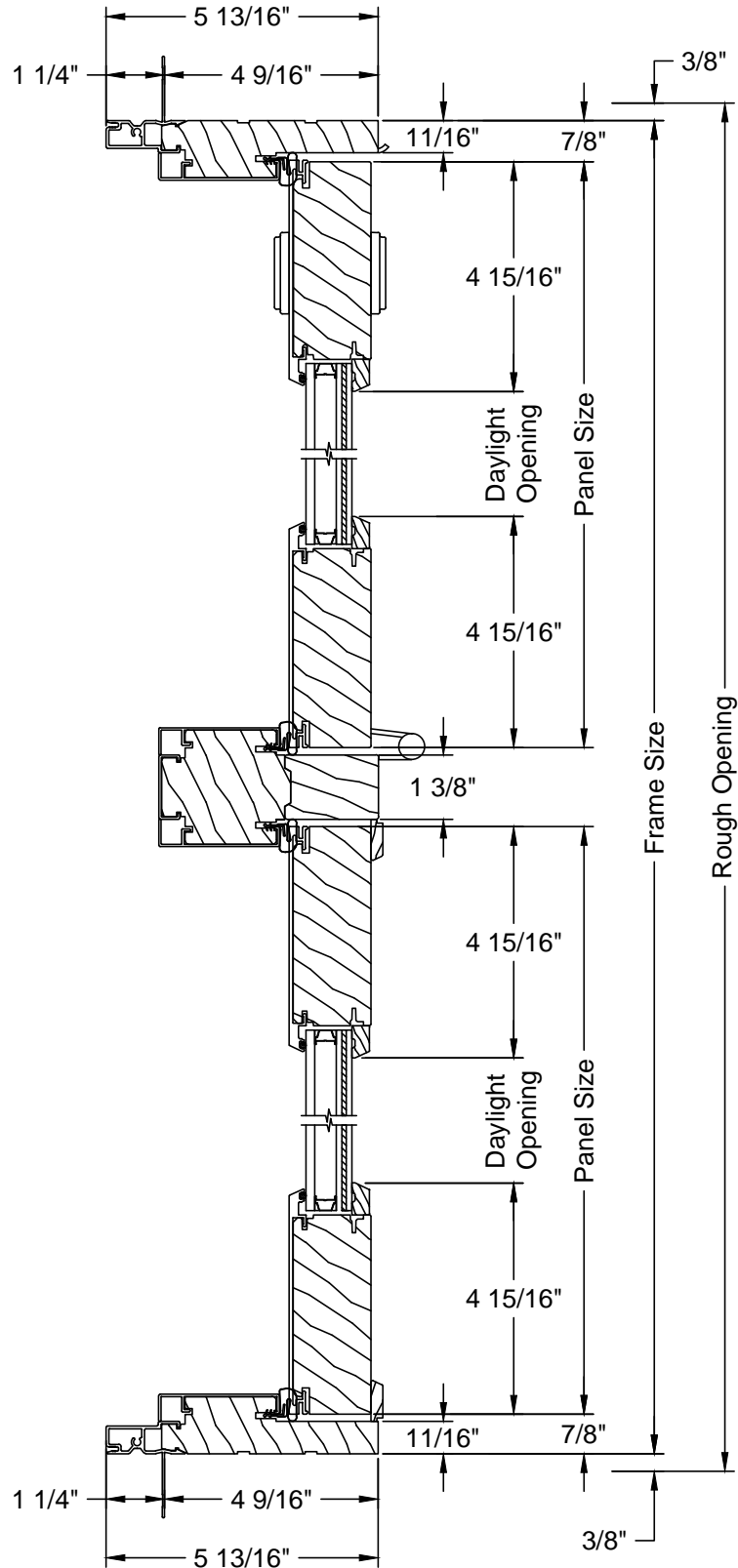
FIXED 2 PANEL NARROW STILE - HORIZONTAL SECTION w/ CENTER HINGED





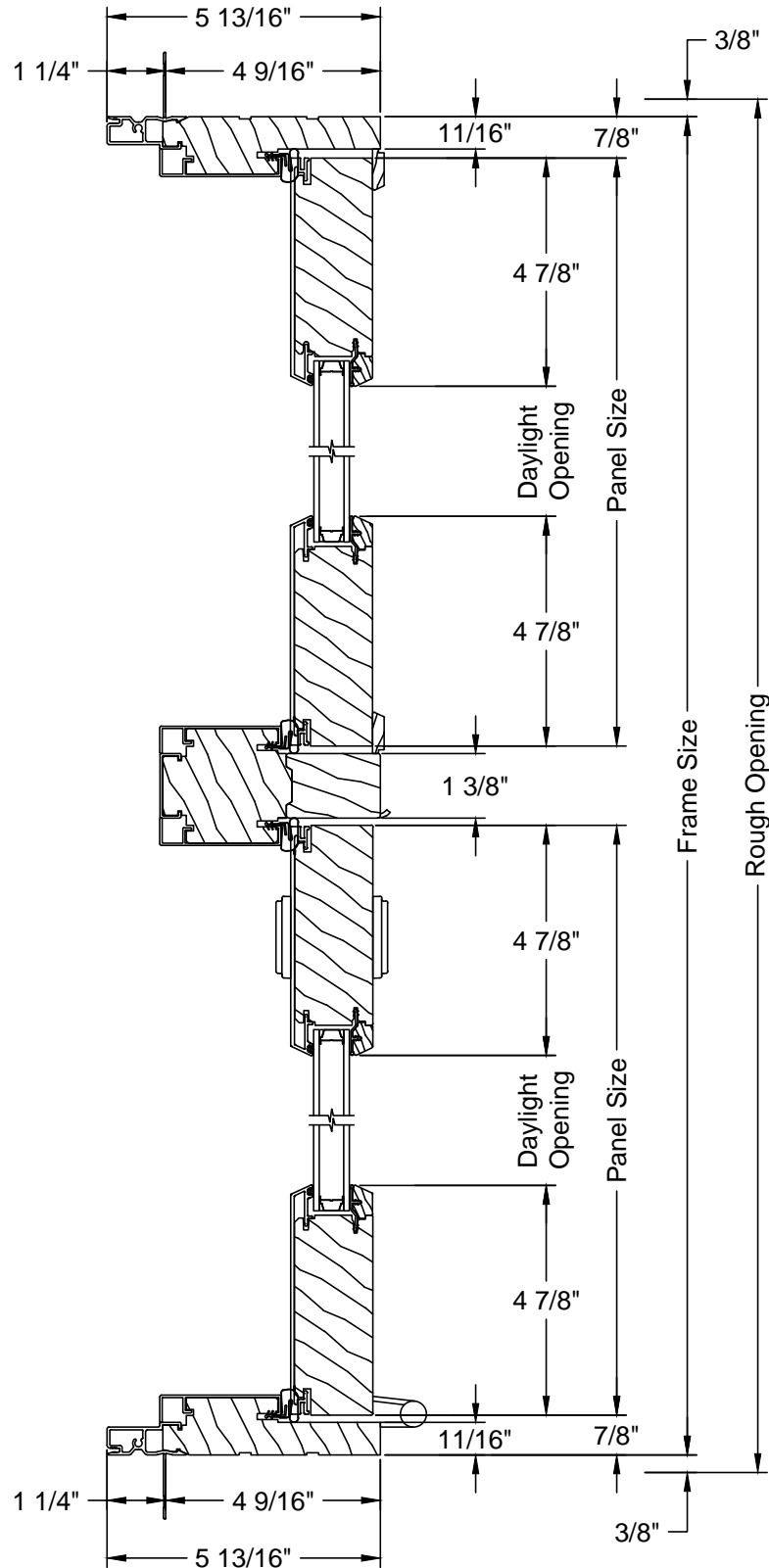


FIXED 2 PANEL IMPACT WIDE STILE - HORIZONTAL SECTION w/ CENTER HINGED





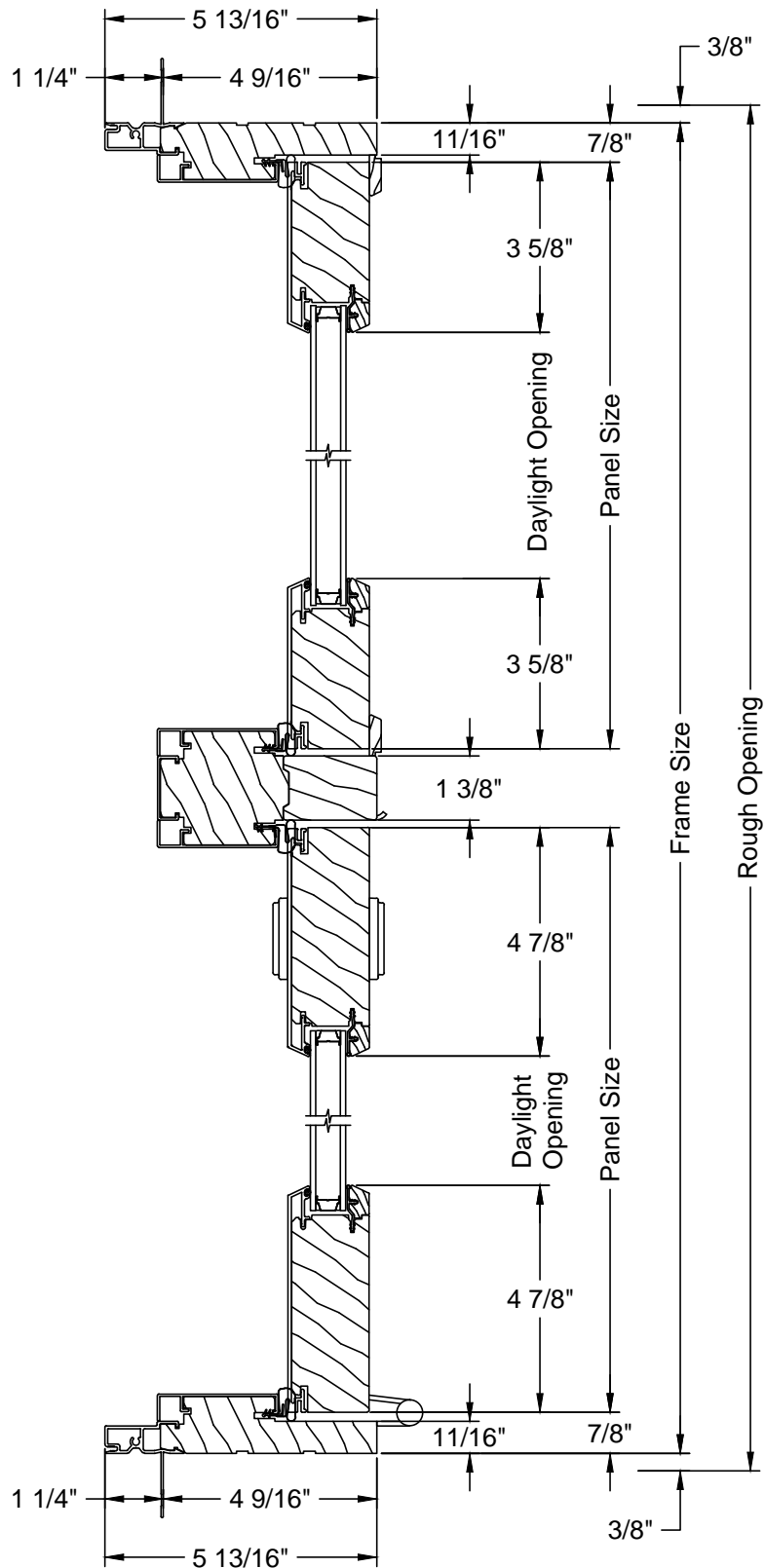
FIXED 2 PANEL WIDE STILE - HORIZONTAL SECTION w/ SIDE HINGED





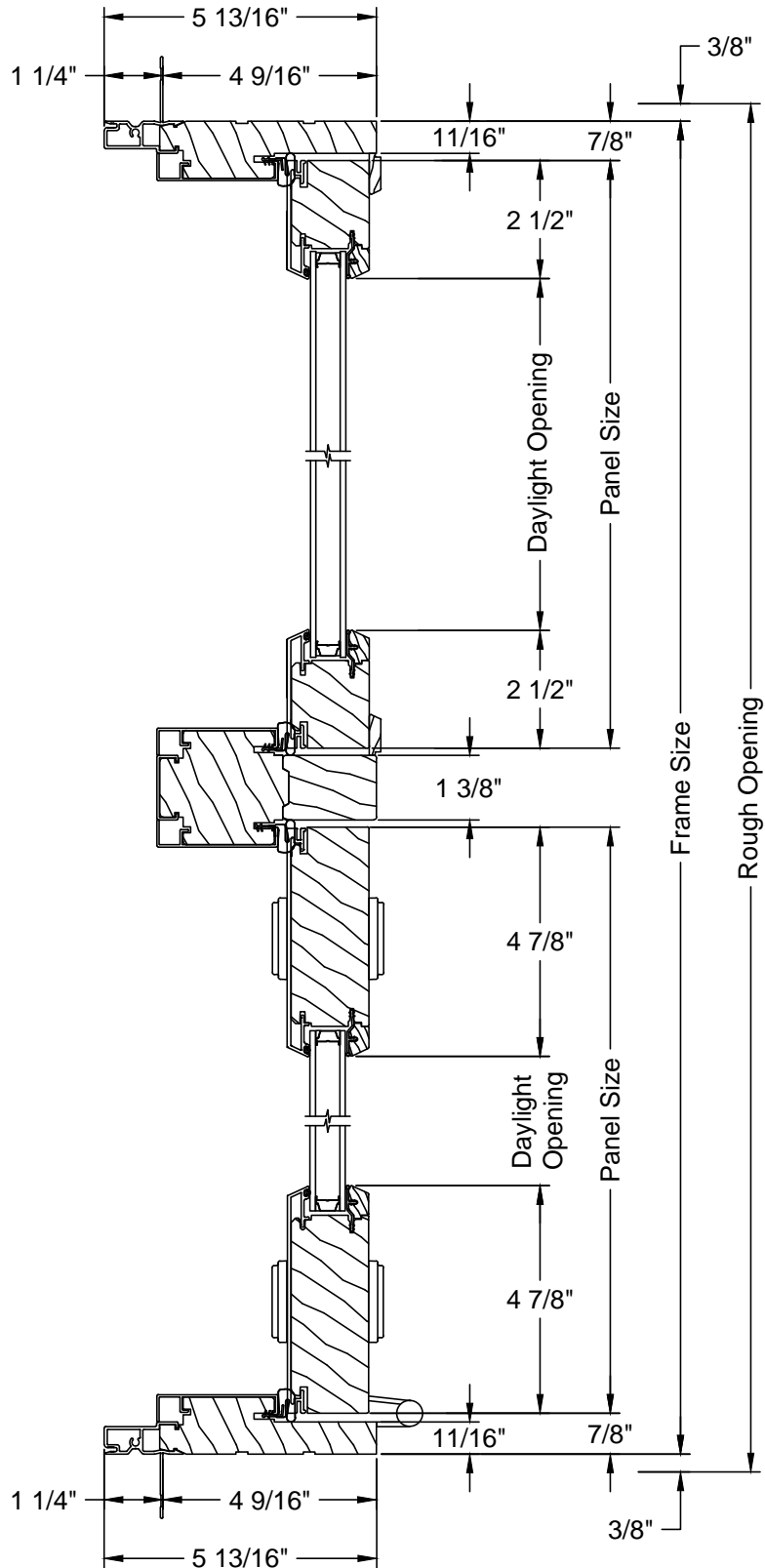


FIXED 2 PANEL NARROW STILE - HORIZONTAL SECTION w/ SIDE HINGED



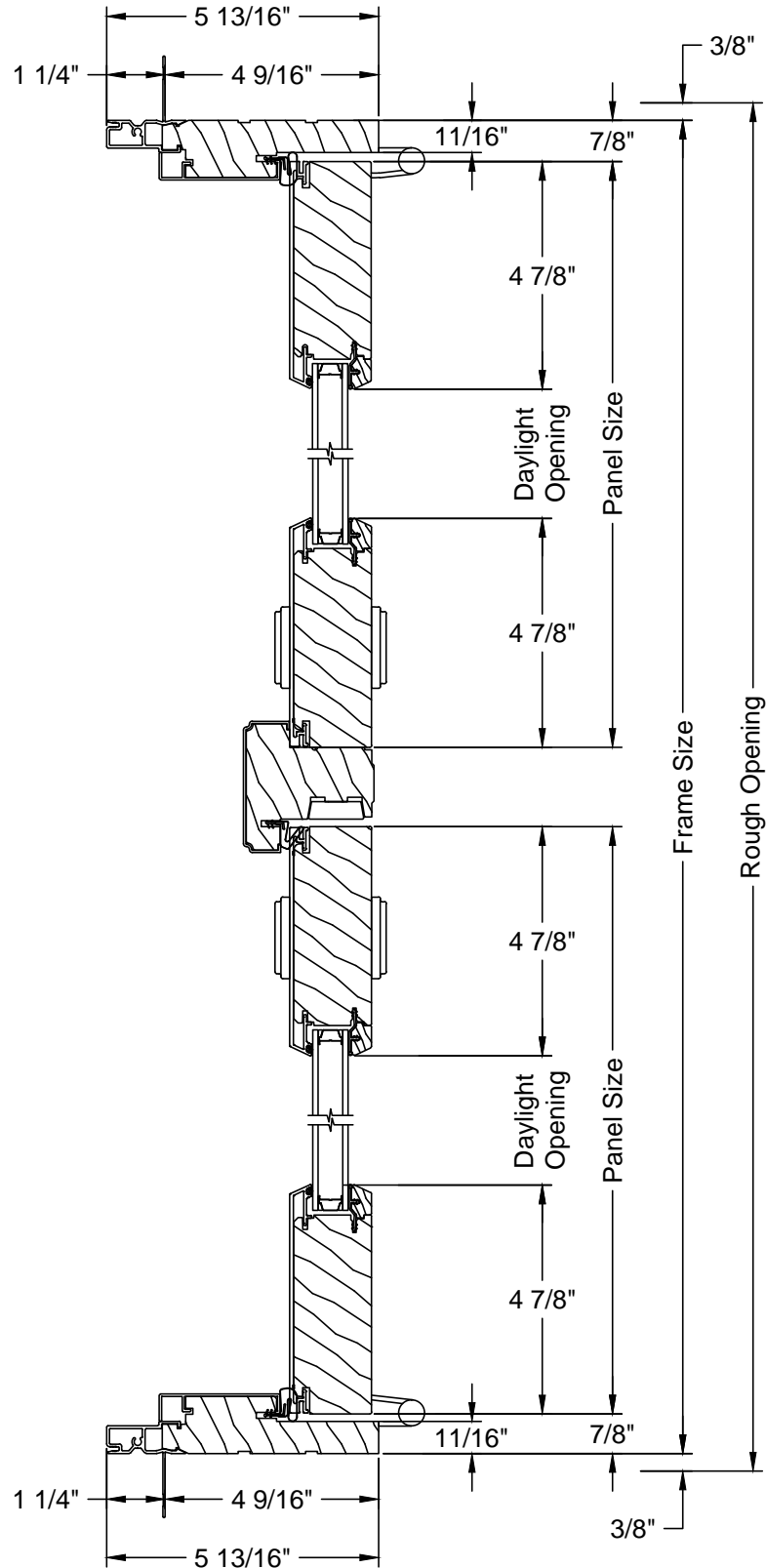


FIXED 2 PANEL SIDELITE STILE - HORIZONTAL SECTION w/ SIDE HINGED



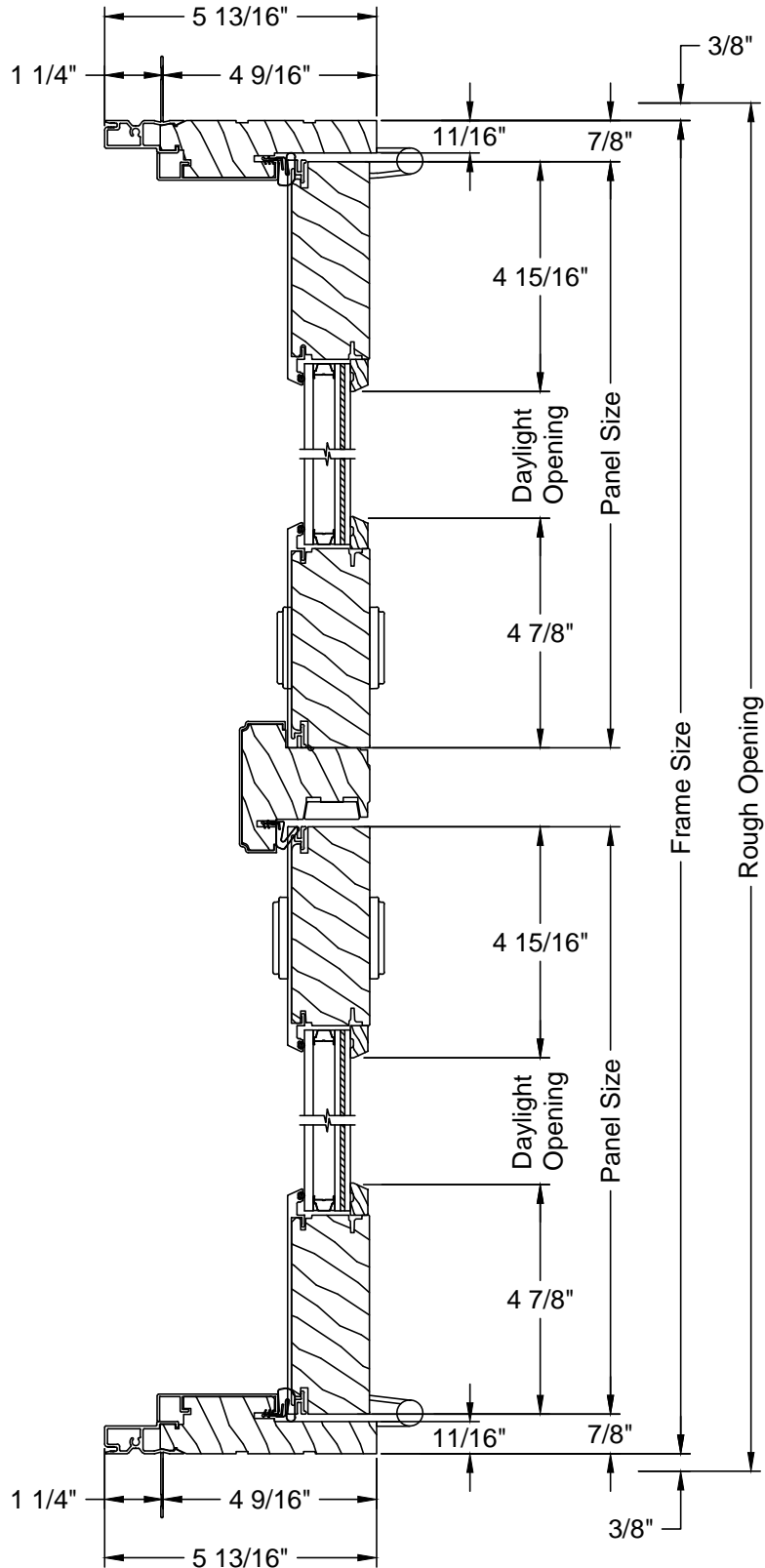


FRENCH - HORIZONTAL SECTION



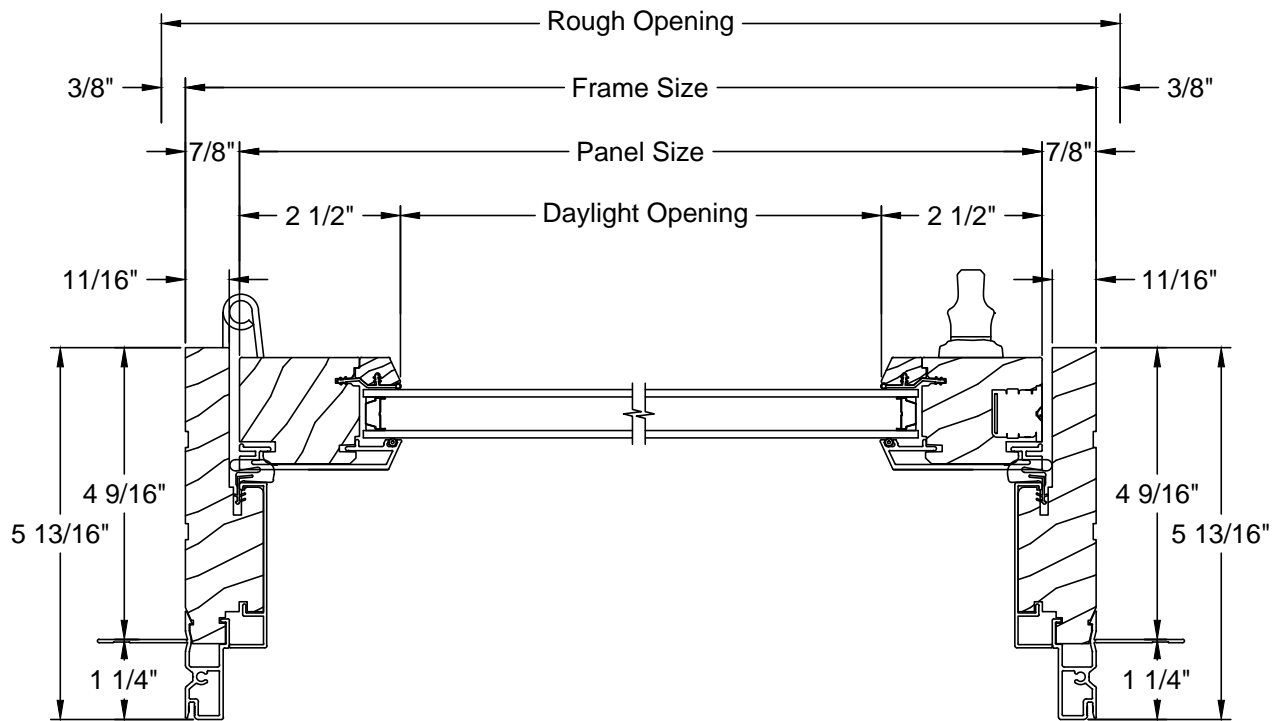


FRENCH IMPACT - HORIZONTAL SECTION



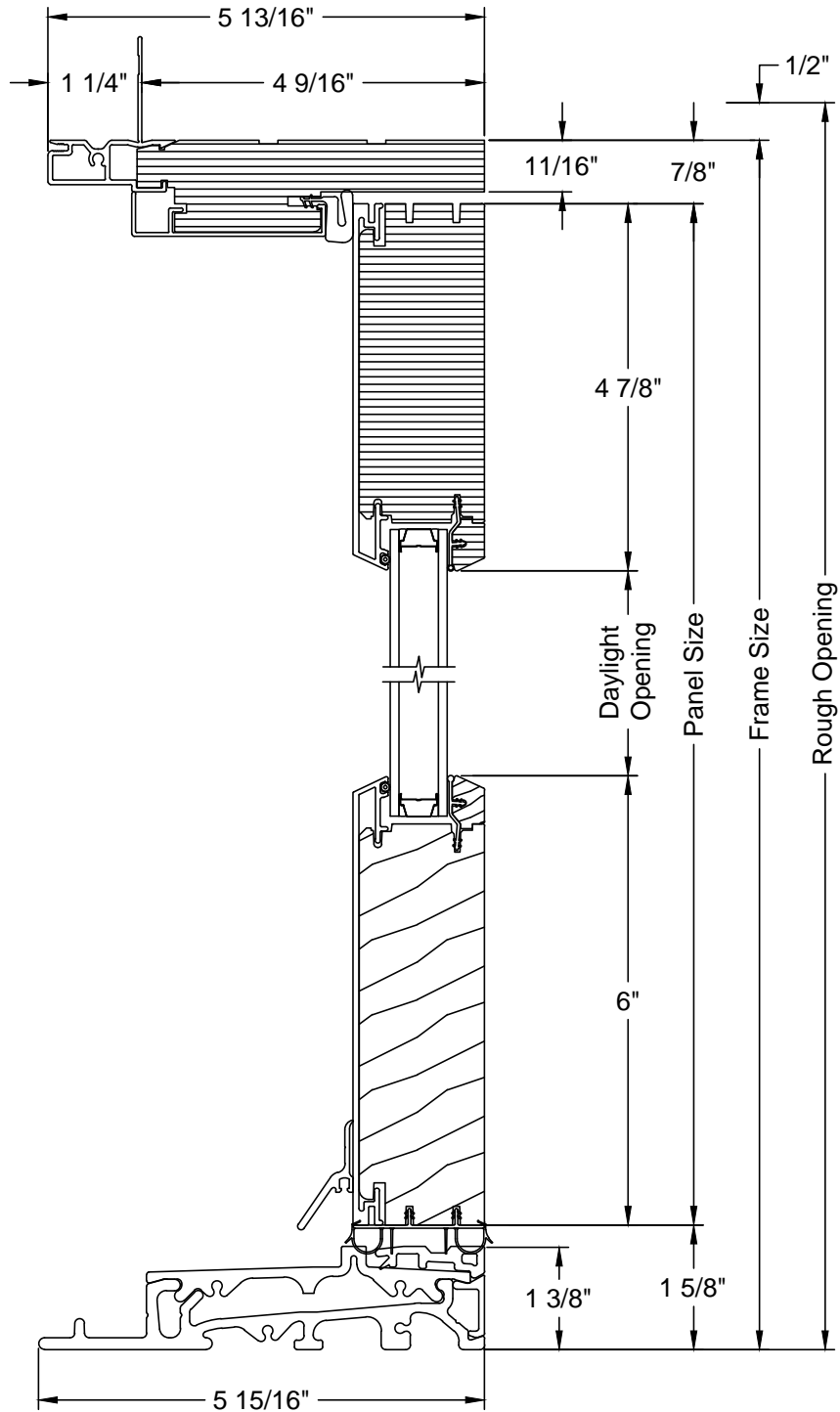


VENTING SIDELITE - HORIZONTAL SECTION



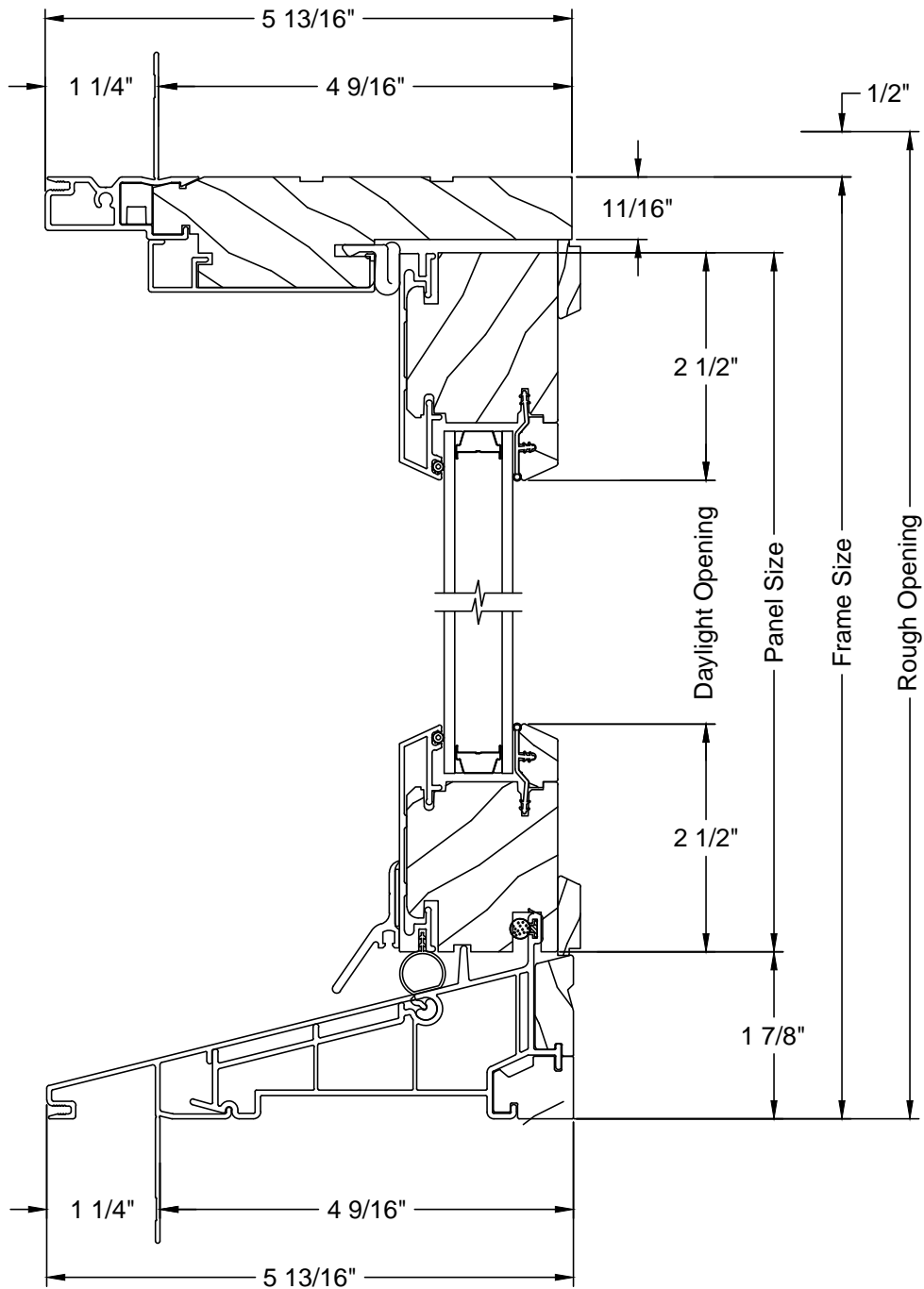


RADIUS TOP - VERTICAL SECTION



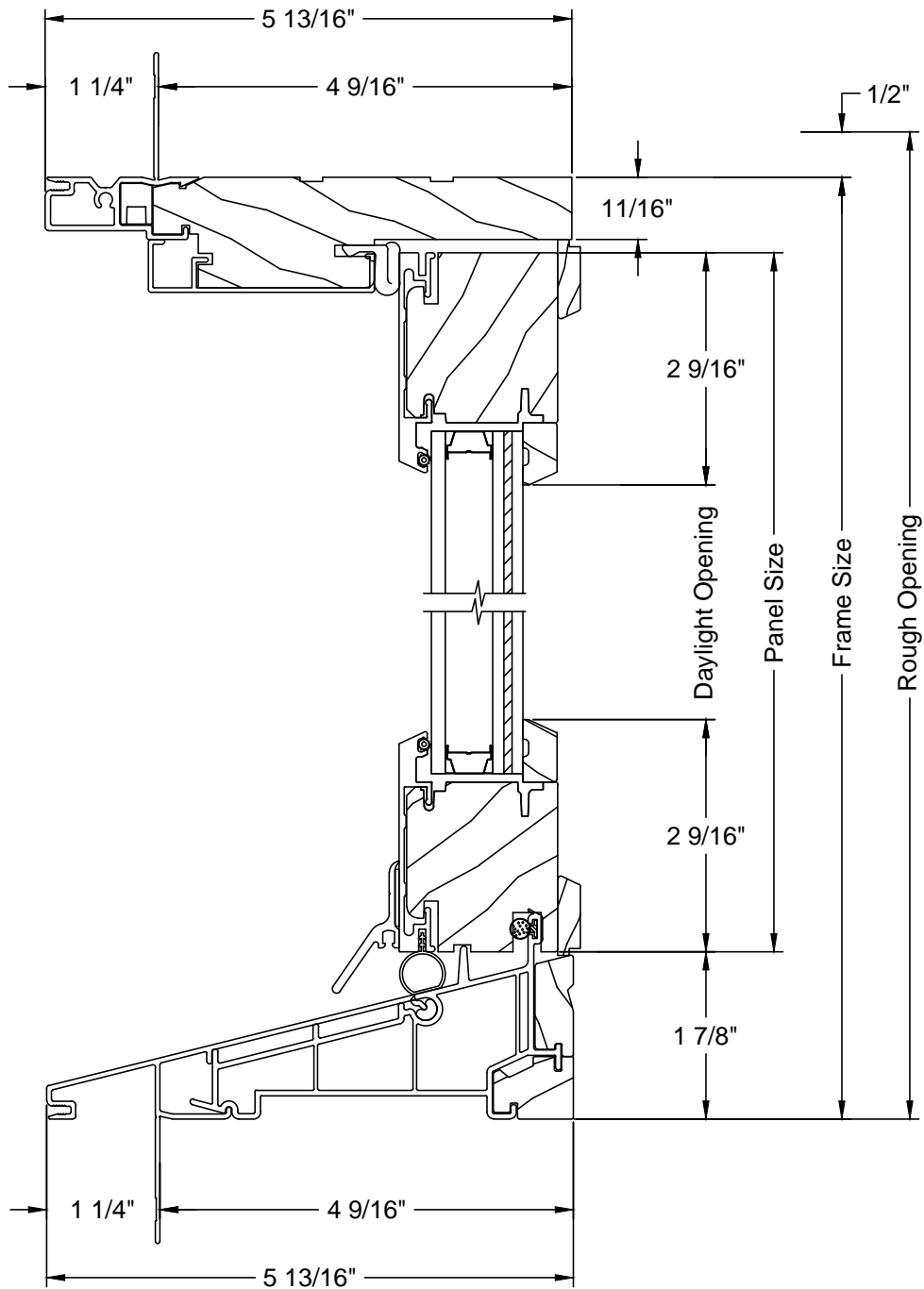


TRANSOM FIXED - VERTICAL SECTION





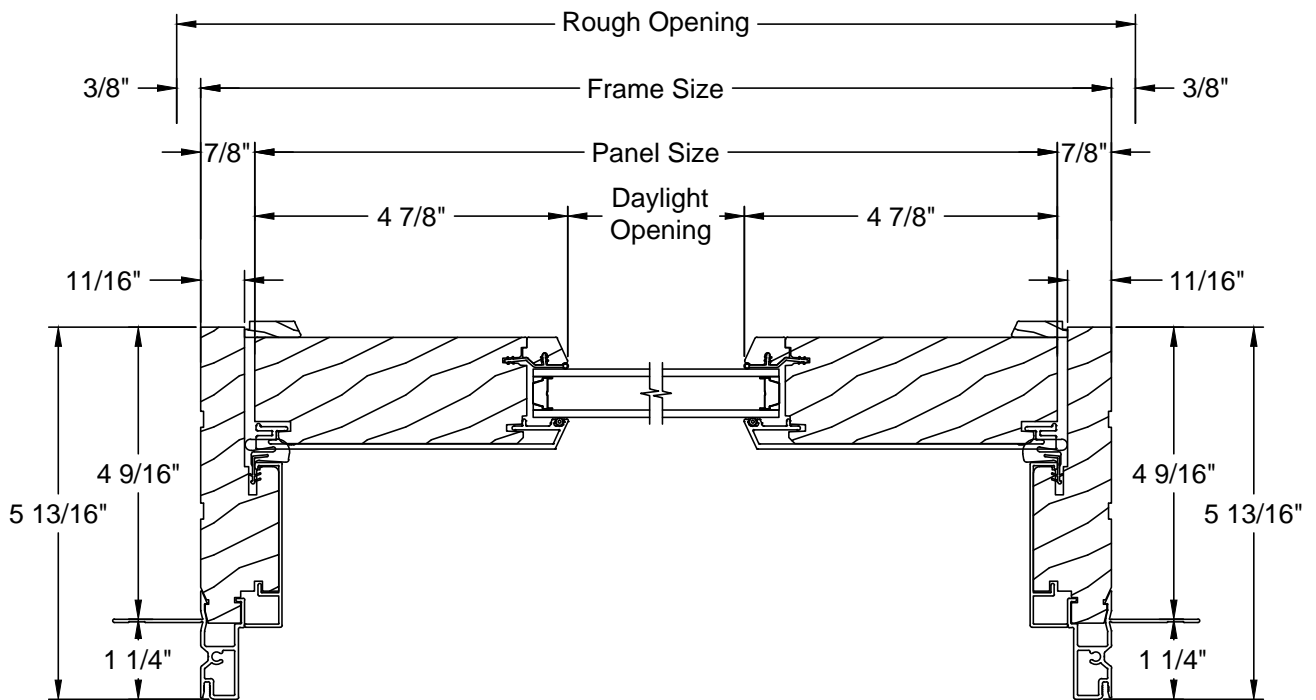
TRANSOM IMPACT - VERTICAL SECTION





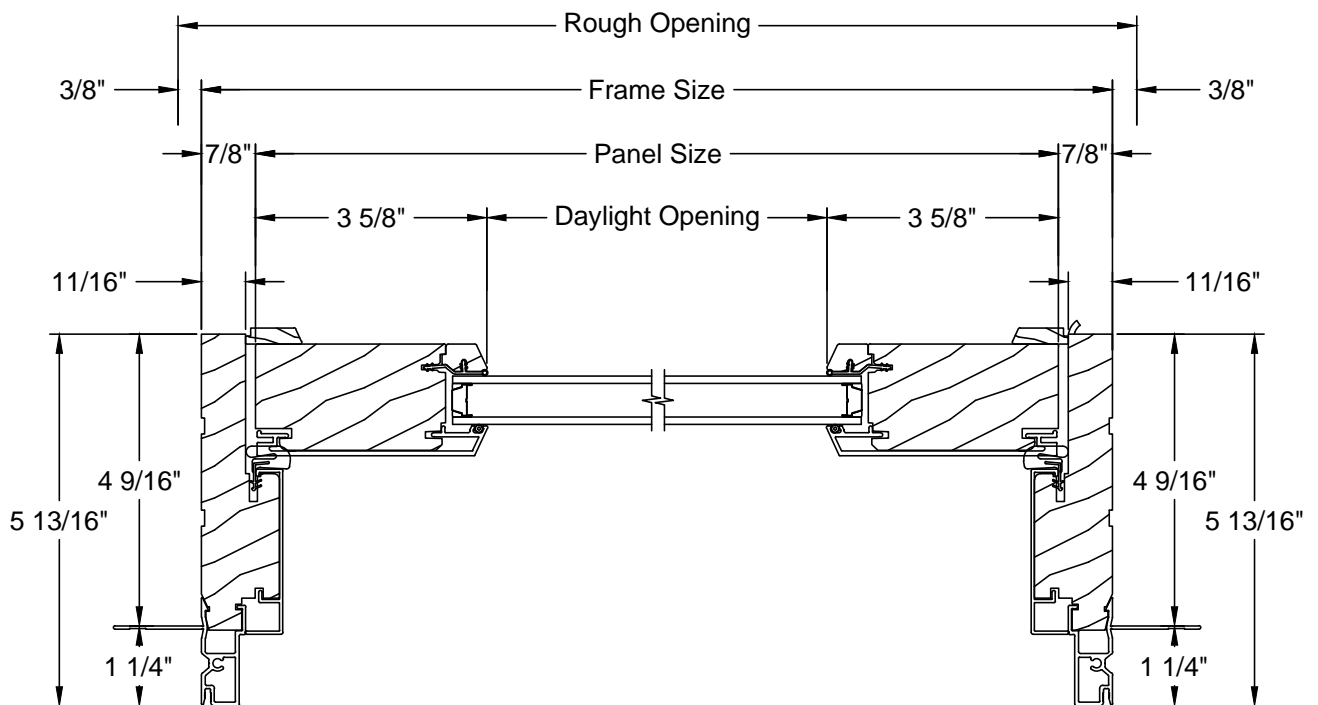


TRANSOM WIDE STILE - HORIZONTAL SECTION



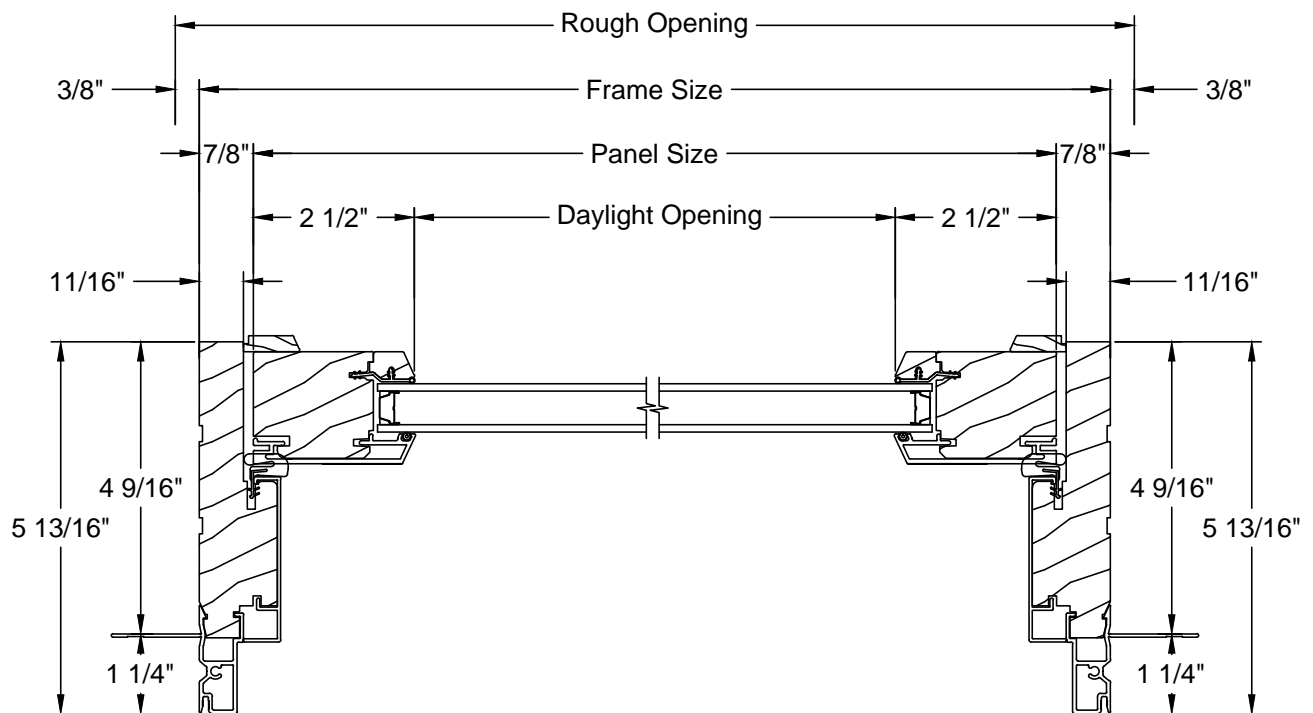


TRANSOM NARROW STILE - HORIZONTAL SECTION



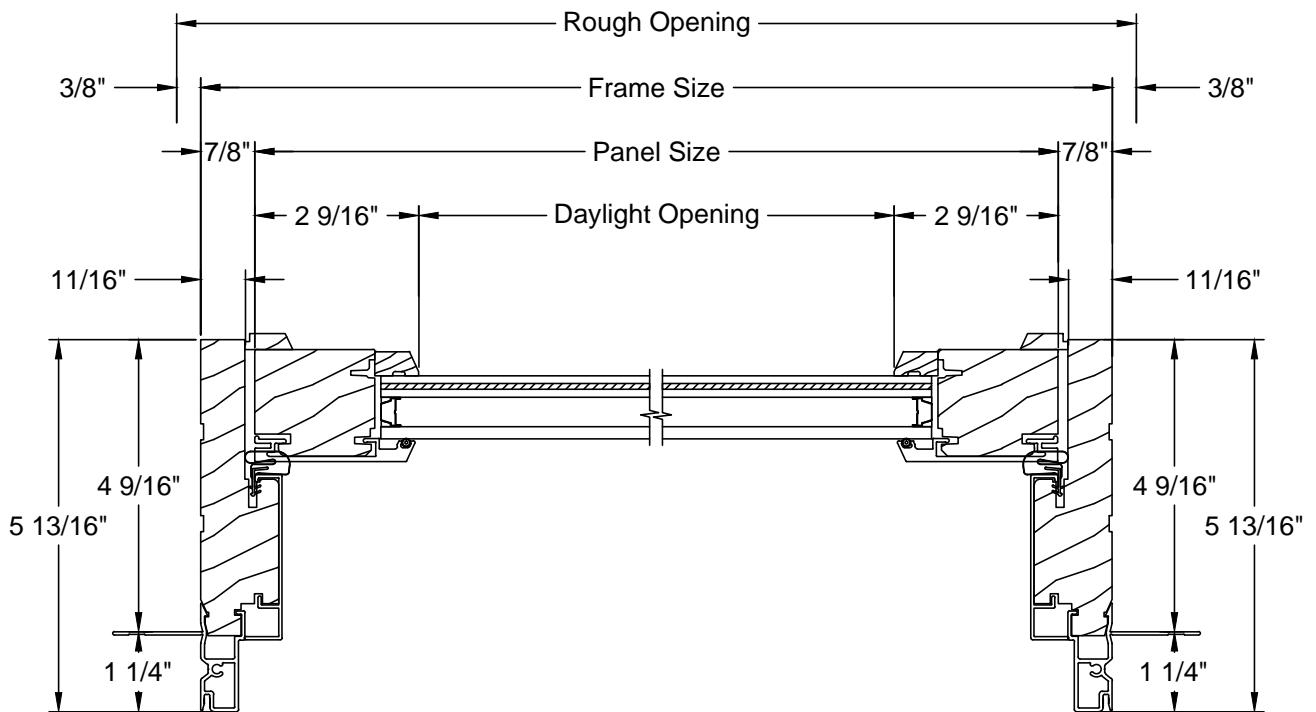


TRANSOM SIDELITE STILE - HORIZONTAL SECTION



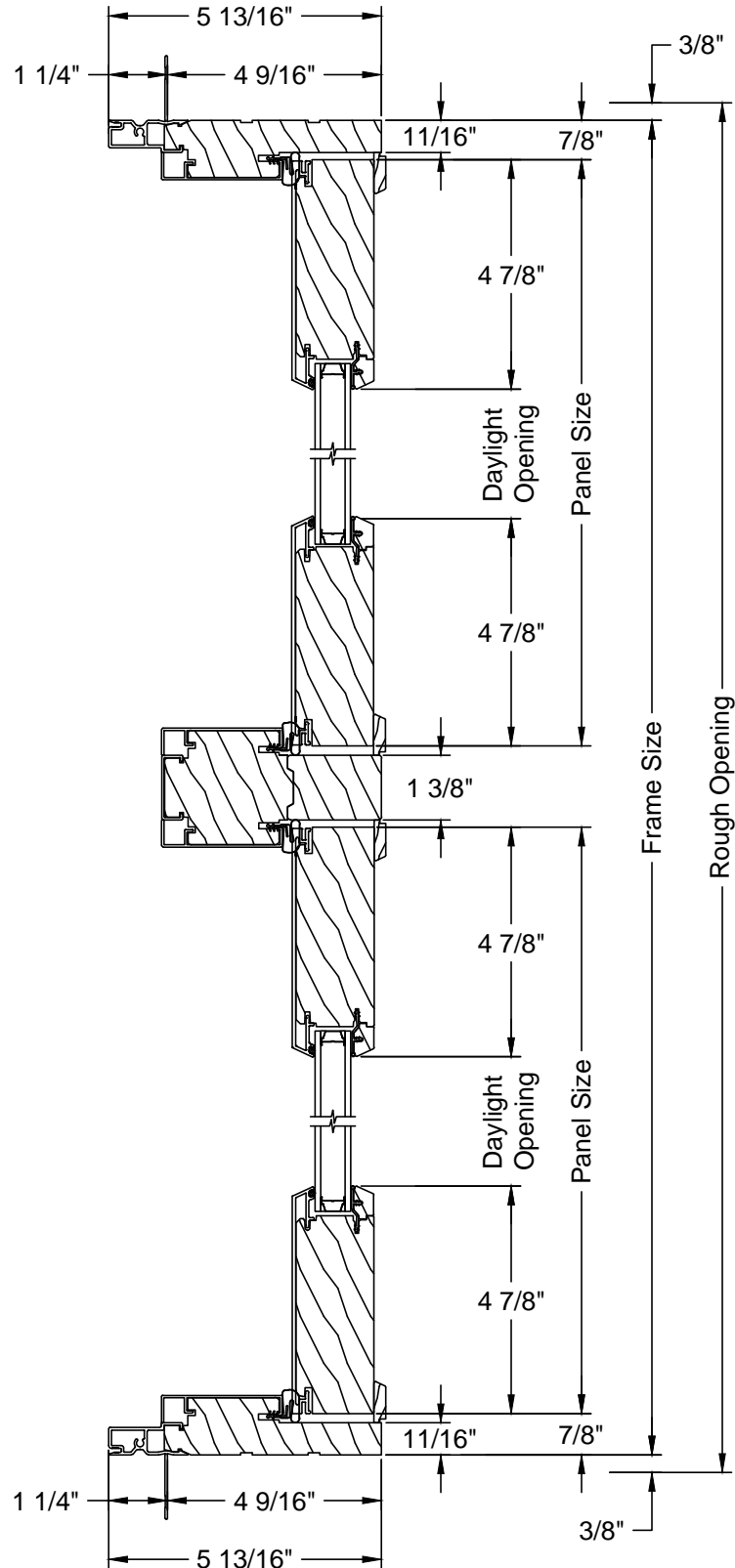


TRANSOM SIDELITE STILE IMPACT - HORIZONTAL SECTION



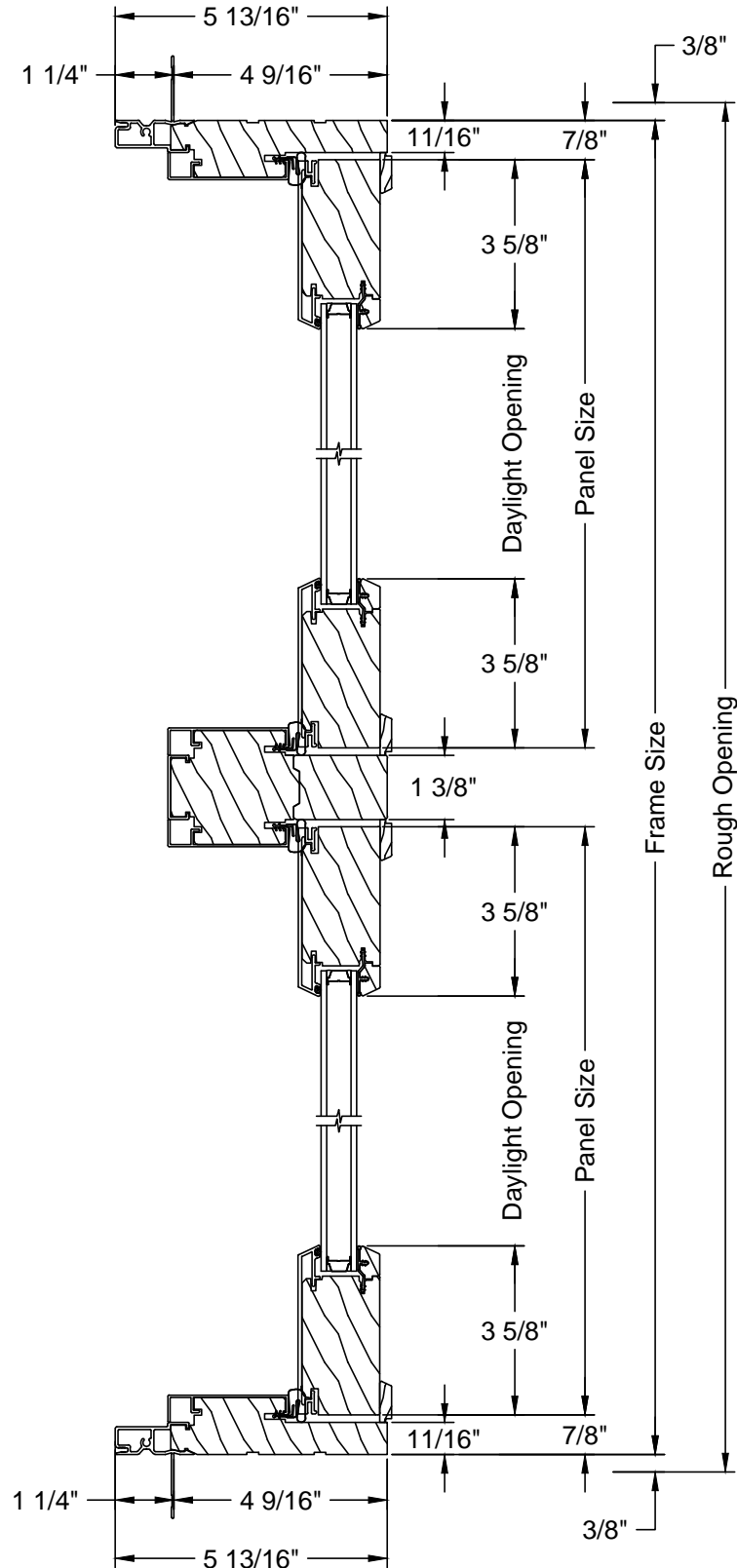


TRANSOM 2 PANEL WIDE STILE - HORIZONTAL SECTION



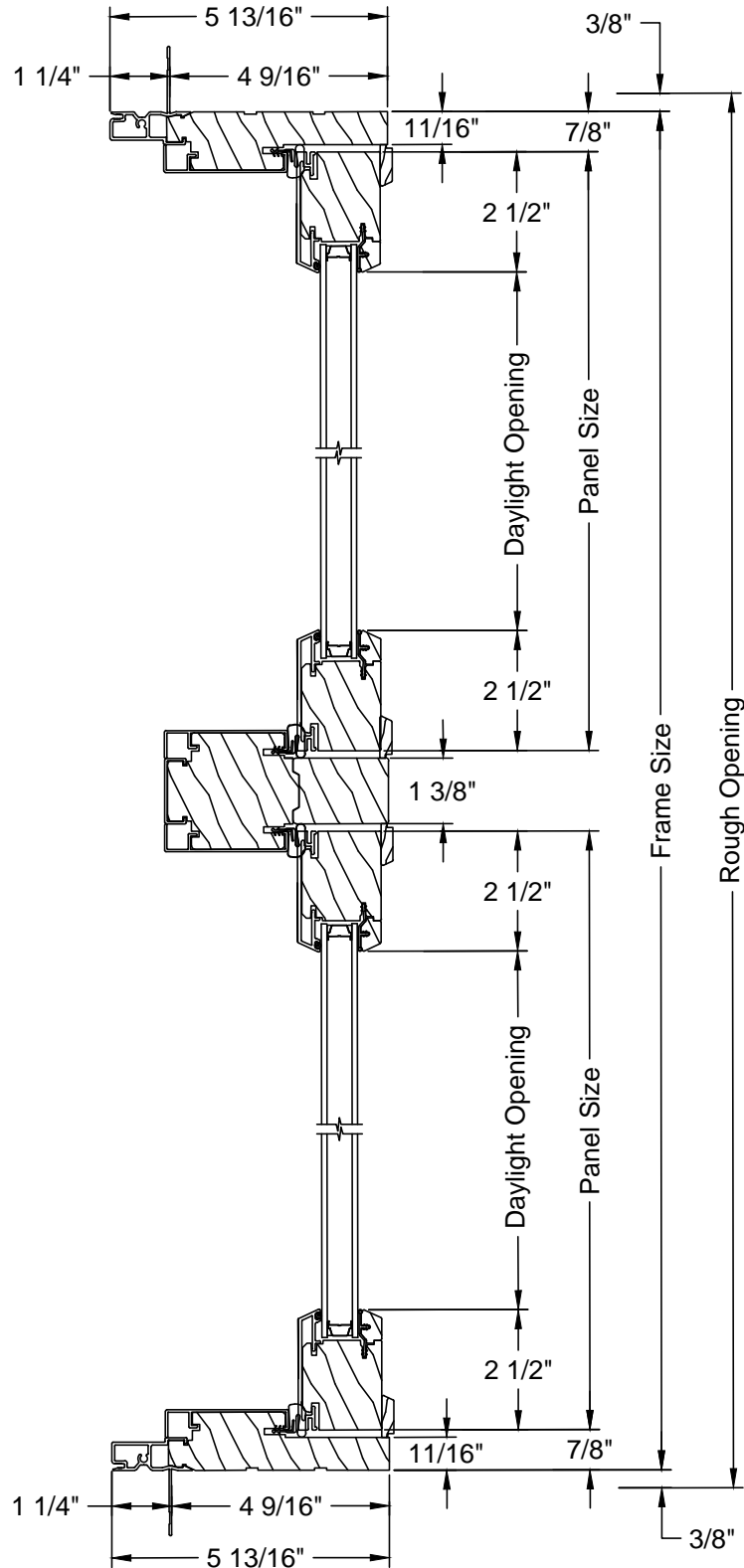


TRANSOM 2 PANEL NARROW STILE - HORIZONTAL SECTION



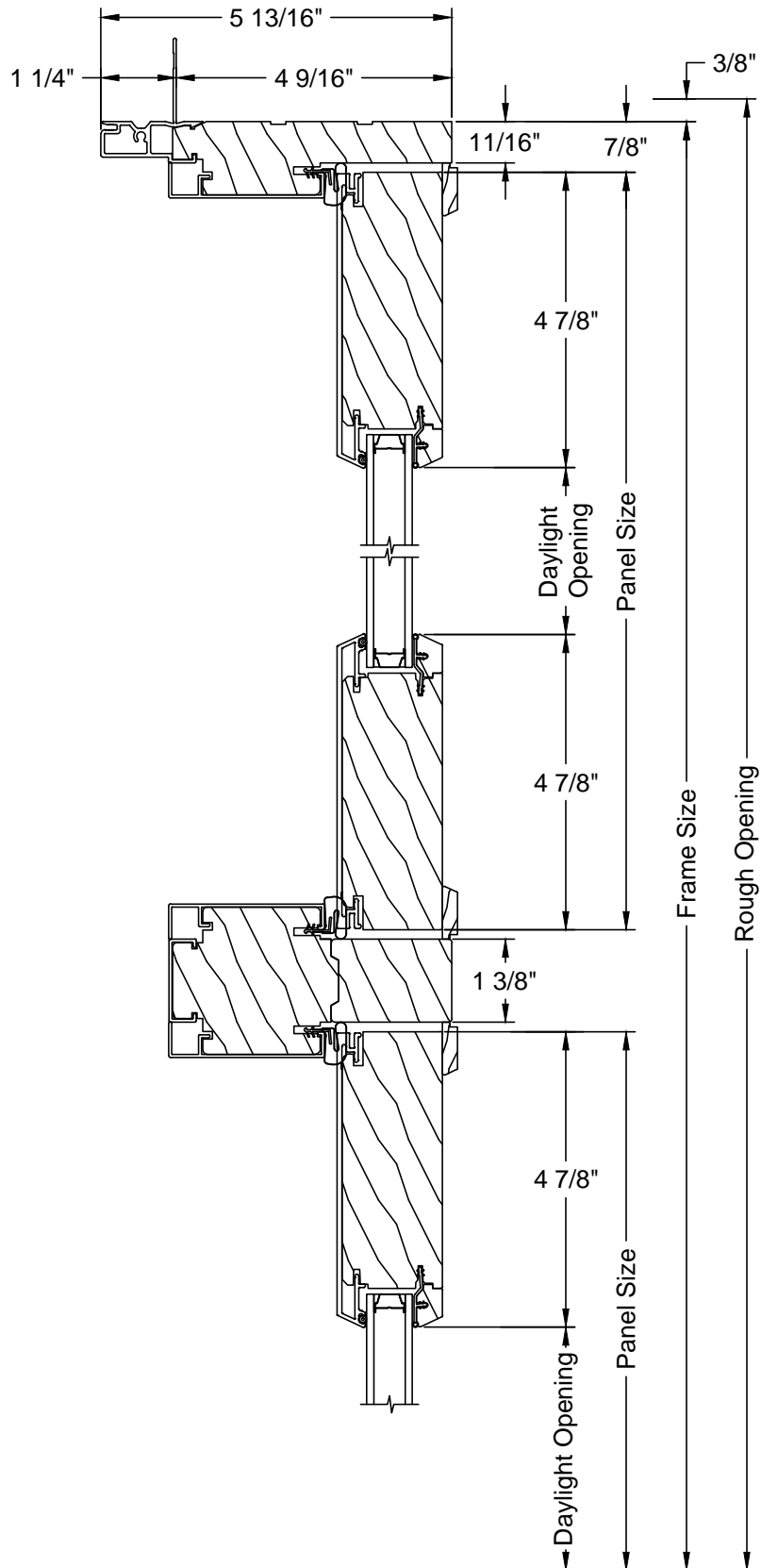


TRANSOM 2 PANEL SIDELITE STILE - HORIZONTAL SECTION





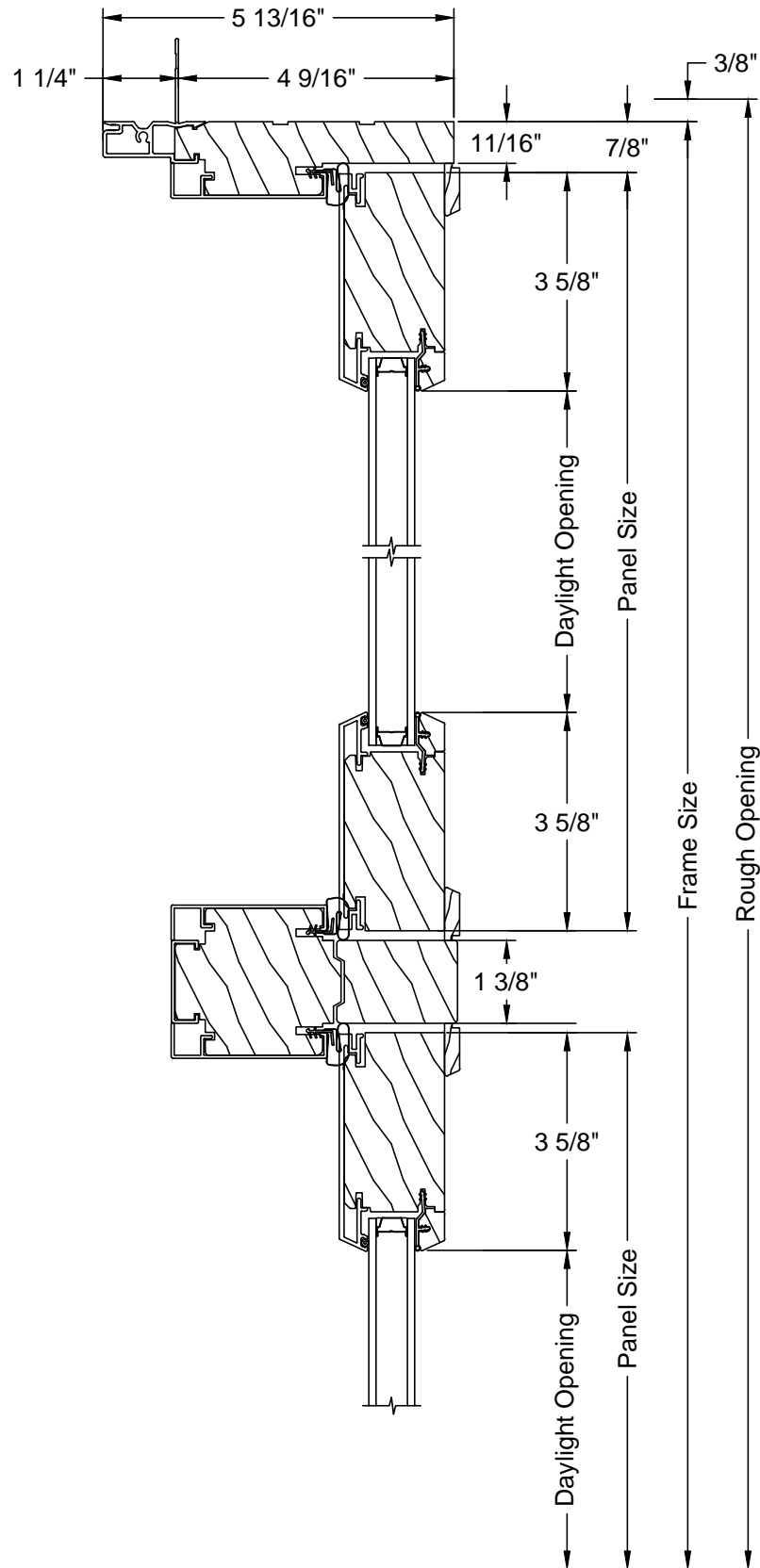
TRANSOM 3 PANEL WIDE STILE - HORIZONTAL SECTION







TRANSOM 3 PANEL NARROW STILE - HORIZONTAL SECTION





TRANSOM 3 PANEL SIDELITE STILE - HORIZONTAL SECTION

