



TABLE OF CONTENTS

---

**Product Information**

General Information.....	3
Lite Cut Information.....	4
Clear Opening Design Data Tables.....	5
Clear Opening Layout.....	9
Unit Sizing, Rough Opening & Masonry Openings.....	10

**Options**

Trim.....	11
Frame.....	12
Mullion.....	13
Raised Panel.....	14
Bottom Rail.....	15
Stile.....	16
Sill.....	17
Divided Lites.....	18

**Section Details**

Operating:	
Vertical Section.....	20
ADA - Vertical Section.....	21
Wide Stile - Horizontal Section.....	22
Quad - Horizontal Section.....	23
Fixed:	
Vertical Section.....	24
Wide Stile - Horizontal Section.....	25
Narrow Stile - Horizontal Section.....	26
Sidelite Stile - Horizontal Section.....	27
Fixed 2 Panel w/ Center Hinged:	
Wide Stile - Horizontal Section.....	28
Narrow Stile - Horizontal Section.....	29
Sidelite Stile - Horizontal Section.....	30
Fixed 2 Panel w/ Side Hinged:	
Wide Stile - Horizontal Section.....	31
Narrow Stile - Horizontal Section.....	32
Sidelite Stile - Horizontal Section.....	33
French:	
Horizontal Section.....	34
Segment Head:	
Vertical Section.....	35
Horizontal Section.....	36



TABLE OF CONTENTS

---

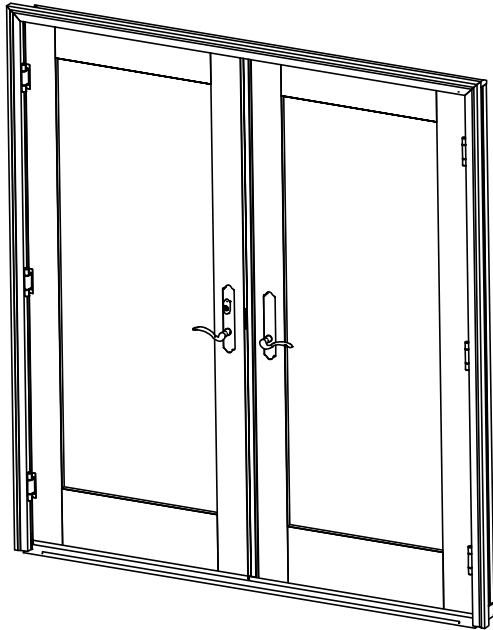
Transom:

Fixed - Vertical Section .....	37
Wide Stile - Horizontal Section .....	38
Narrow Stile - Horizontal Section .....	39
Sidelite Stile - Horizontal Section .....	40
2 Panel Wide Stile - Horizontal Section .....	41
2 Panel Narrow Stile - Horizontal Section .....	42
2 Panel Sidelite Stile - Horizontal Section .....	43
3 Panel Wide Stile - Horizontal Section .....	44
3 Panel Narrow Stile - Horizontal Section .....	45
3 Panel Sidelite Stile - Horizontal Section .....	46



## GENERAL INFORMATION

---



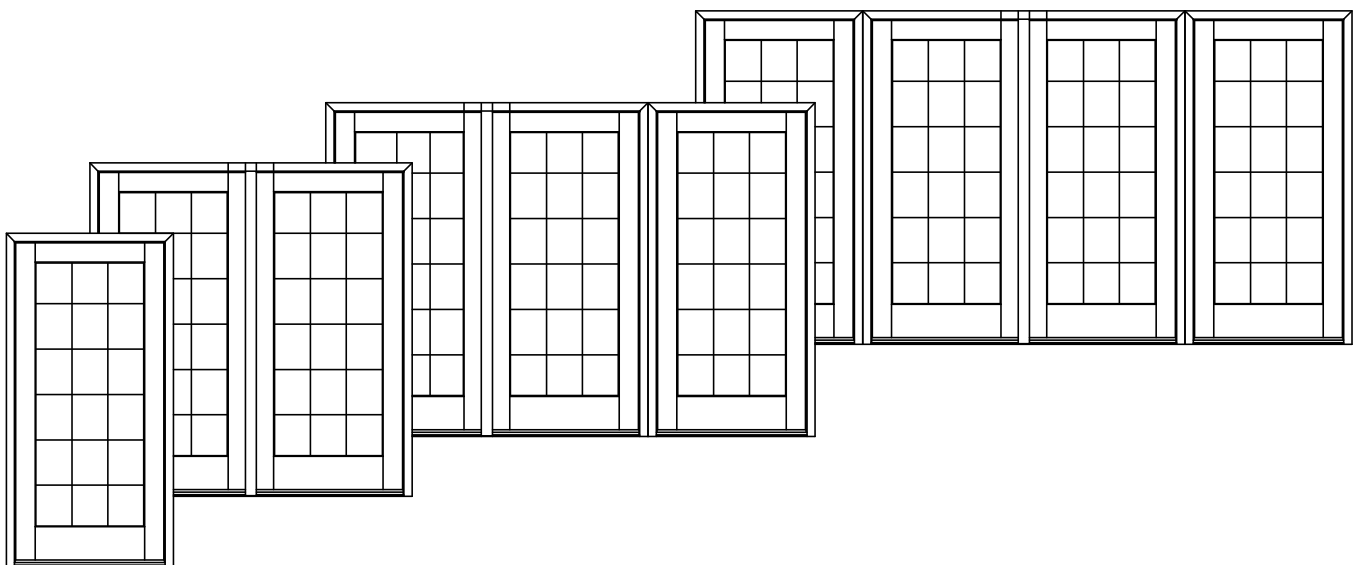
### DIMENSIONAL DOORS

Siteline Wood Outswing Patio Doors may be specified as "dimensional", by adjusting the desired rough opening width or height in 1/8" increments from standard.

Siteline Wood Outswing Patio Doors are available in single, twin, triple and quad panel doors. The standard size range includes sizes specifically designed for replacement of older patio door models in existing structures, as well as a full range of "true size" products for architectural consistency. Please consult our Quick Quote software for detailed product options and availability.

### OPERATION

Siteline Wood Outswing Patio Doors are available in a full range of operating styles. Single panel doors may be specified as stationary (non-venting) or can operate left or right. Center swing two-or three-panel doors are available with left or right operation.





---

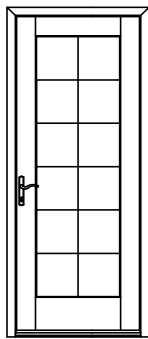
LITE CUT INFORMATION

---

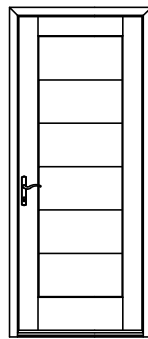
Siteline Wood Outswing Patio Doors are available with full surround removable grilles in 5/8", 7/8", 1 1/8", 1 3/8", and 2 5/16" widths, with grilles between the glass (GBG), or with Simulated Divided Lites. Standard lite cuts are rectangular, and conform to the layouts noted below.

LITE CUT OPTIONS

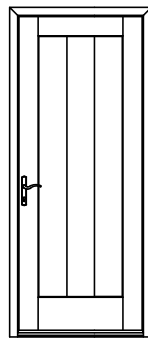
Special lite cut patterns can include a wide variety of straight line and radius patterns. The illustrations shown here represent just a few of the possibilities. Rectangular, horizontal, vertical and prairie lite patterns are available in all standard size wood swinging patio doors. Uneven, diamond, radius and gothic lite cuts are available, subject to approval. Approvals are based on the ability to fulfill the design requirement while maintaining the construction integrity of the finished product.



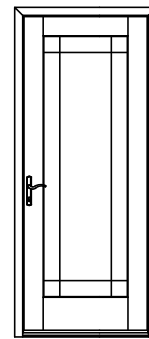
RECTANGULAR



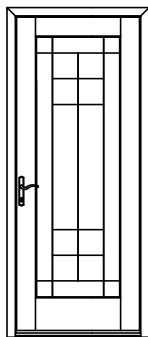
HORIZONTAL



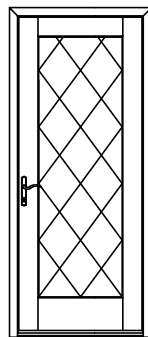
VERTICAL



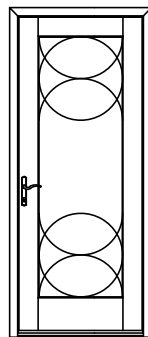
PRAIRIE



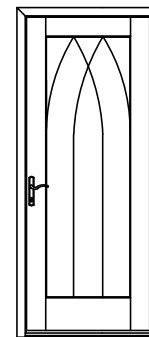
UNEVEN



DIAMOND



RADIUS



GOthic



CLEAR OPENING DESIGN DATA TABLES

Single Panel								
Unit Number Bookcode	Frame Width	Frame Height	Clear Opening Width	Clear Opening Height [1]	Vent Area Sq. Ft.	Daylight Opening Width	Daylight Opening Height	Daylight Opening Sq. Ft.
PRWOSW2068	23.63	79.50	19.09	76.91	10.20	12.19	63.59	5.38
PRWOSW20611	23.63	82.50	19.09	79.91	10.60	12.19	66.59	5.64
PRWOSW2070T	23.63	86.50	19.09	83.91	11.13	12.19	70.59	5.97
PRWOSW2080	23.63	95.50	19.09	92.91	12.32	12.19	79.59	6.74
PRWOSW2080T	23.63	98.50	19.09	95.91	12.72	12.19	82.59	6.99
PRWOSW2090	23.63	107.50	19.09	104.91	13.91	12.19	91.59	7.75
PRWOSW20100	23.63	119.50	19.09	116.91	15.50	12.19	103.59	8.77
PRWOSW2668	29.63	79.50	25.09	76.91	13.40	18.19	63.59	8.03
PRWOSW26611	29.63	82.50	25.09	79.91	13.92	18.19	66.59	8.41
PRWOSW2670T	29.63	86.50	25.09	83.91	14.62	18.19	70.59	8.92
PRWOSW2680	29.63	95.50	25.09	92.91	16.19	18.19	79.59	10.05
PRWOSW2680T	29.63	98.50	25.09	95.91	16.71	18.19	82.59	10.43
PRWOSW2690	29.63	107.50	25.09	104.91	18.28	18.19	91.59	11.57
PRWOSW26100	29.63	119.50	25.09	116.91	20.37	18.19	103.59	13.08
PRWOSW2868	31.63	79.50	27.09	76.91	14.47	20.19	63.59	8.92
PRWOSW28611	31.63	82.50	27.09	79.91	15.03	20.19	66.59	9.34
PRWOSW2870T	31.63	86.50	27.09	83.91	15.79	20.19	70.59	9.90
PRWOSW2880	31.63	95.50	27.09	92.91	17.48	20.19	79.59	11.16
PRWOSW2880T	31.63	98.50	27.09	95.91	18.04	20.19	82.59	11.58
PRWOSW2890	31.63	107.50	27.09	104.91	19.74	20.19	91.59	12.84
PRWOSW28100	31.63	119.50	27.09	116.91	22.00	20.19	103.59	14.52
PRWOSW3068	35.63	79.50	31.09	76.91	16.61	24.19	63.59	10.68
PRWOSW30611	35.63	82.50	31.09	79.91	17.25	24.19	66.59	11.19
PRWOSW3070T	35.63	86.50	31.09	83.91	18.12	24.19	70.59	11.86
PRWOSW3080	35.63	95.50	31.09	92.91	20.06	24.19	79.59	13.37
PRWOSW3080T	35.63	98.50	31.09	95.91	20.71	24.19	82.59	13.87
PRWOSW3090	35.63	107.50	31.09	104.91	22.65	24.19	91.59	15.38
PRWOSW30100	35.63	119.50	31.09	116.91	25.24	24.19	103.59	17.40
PRWOSW3268	37.63	79.50	33.09	76.91	17.67	26.19	63.59	11.57
PRWOSW32611	37.63	82.50	33.09	79.91	18.36	26.19	66.59	12.11
PRWOSW3270T	37.63	86.50	33.09	83.91	19.28	26.19	70.59	12.84
PRWOSW3280	37.63	95.50	33.09	92.91	21.35	26.19	79.59	14.47
PRWOSW3280T	37.63	98.50	33.09	95.91	22.04	26.19	82.59	15.02
PRWOSW3290	37.63	107.50	33.09	104.91	24.11	26.19	91.59	16.66
PRWOSW32100	37.63	119.50	33.09	116.91	26.87	26.19	103.59	18.84
PRWOSW3668	41.63	79.50	37.09	76.91	19.81	30.19	63.59	13.33
PRWOSW36611	41.63	82.50	37.09	79.91	20.58	30.19	66.59	13.96
PRWOSW3670T	41.63	86.50	37.09	83.91	21.61	30.19	70.59	14.80
PRWOSW3680	41.63	95.50	37.09	92.91	23.93	30.19	79.59	16.69
PRWOSW3680T	41.63	98.50	37.09	95.91	24.71	30.19	82.59	17.31
PRWOSW3690	41.63	107.50	37.09	104.91	27.02	30.19	91.59	19.20
PRWOSW36100	41.63	119.50	37.09	116.91	30.11	30.19	103.59	21.72
PRWOSW3868	43.63	79.50	39.09	76.91	20.88	32.19	63.59	14.21
PRWOSW38611	43.63	82.50	39.09	79.91	21.69	32.19	66.59	14.89
PRWOSW3870T	43.63	86.50	39.09	83.91	22.78	32.19	70.59	15.78
PRWOSW3880	43.63	95.50	39.09	92.91	25.22	32.19	79.59	17.79
PRWOSW3880T	43.63	98.50	39.09	95.91	26.04	32.19	82.59	18.46
PRWOSW3890	43.63	107.50	39.09	104.91	28.48	32.19	91.59	20.47
PRWOSW38100	43.63	119.50	39.09	116.91	31.74	32.19	103.59	23.16

Notes: [1] Assumes PG35 Sill.



CLEAR OPENING DESIGN DATA TABLES

Two Panel [2]								
Unit Number Bookcode	Frame Width	Frame Height	Clear Opening Width [2]	Clear Opening Height [1]	Vent Area Sq. Ft.	Daylight Opening Width	Daylight Opening Height	Sq. Ft. Daylight Opening
PRWOSW4068	47.25	79.50	40.63	76.91	21.70	24.38	63.59	10.76
PRWOSW40611	47.25	82.50	40.63	79.91	22.54	24.38	66.59	11.27
PRWOSW4070T	47.25	86.50	40.63	83.91	23.67	24.38	70.59	11.95
PRWOSW4080	47.25	95.50	40.63	92.91	26.21	24.38	79.59	13.47
PRWOSW4080T	47.25	98.50	40.63	95.91	27.06	24.38	82.59	13.98
PRWOSW4090	47.25	107.50	40.63	104.91	29.60	24.38	91.59	15.50
PRWOSW40100	47.25	119.50	40.63	116.91	32.98	24.38	103.59	17.54
PRWOSW5068	59.25	79.50	52.63	76.91	28.11	36.38	63.59	16.06
PRWOSW50611	59.25	82.50	52.63	79.91	29.20	36.38	66.59	16.82
PRWOSW5070T	59.25	86.50	52.63	83.91	30.66	36.38	70.59	17.83
PRWOSW5080	59.25	95.50	52.63	92.91	33.95	36.38	79.59	20.11
PRWOSW5080T	59.25	98.50	52.63	95.91	35.05	36.38	82.59	20.86
PRWOSW5090	59.25	107.50	52.63	104.91	38.34	36.38	91.59	23.14
PRWOSW50100	59.25	119.50	52.63	116.91	42.72	36.38	103.59	26.17
PRWOSW5468	63.25	79.50	56.63	76.91	30.24	40.38	63.59	17.83
PRWOSW54611	63.25	82.50	56.63	79.91	31.42	40.38	66.59	18.67
PRWOSW5470T	63.25	86.50	56.63	83.91	32.99	40.38	70.59	19.79
PRWOSW5480	63.25	95.50	56.63	92.91	36.53	40.38	79.59	22.32
PRWOSW5480T	63.25	98.50	56.63	95.91	37.71	40.38	82.59	23.16
PRWOSW5490	63.25	107.50	56.63	104.91	41.25	40.38	91.59	25.68
PRWOSW54100	63.25	119.50	56.63	116.91	45.97	40.38	103.59	29.05
PRWOSW6068	71.25	79.50	64.63	76.91	34.51	48.38	63.59	21.36
PRWOSW60611	71.25	82.50	64.63	79.91	35.86	48.38	66.59	22.37
PRWOSW6070T	71.25	86.50	64.63	83.91	37.66	48.38	70.59	23.72
PRWOSW6080	71.25	95.50	64.63	92.91	41.69	48.38	79.59	26.74
PRWOSW6080T	71.25	98.50	64.63	95.91	43.04	48.38	82.59	27.75
PRWOSW6090	71.25	107.50	64.63	104.91	47.08	48.38	91.59	30.77
PRWOSW60100	71.25	119.50	64.63	116.91	52.47	48.38	103.59	34.80
PRWOSW6468	75.25	79.50	68.63	76.91	36.65	52.38	63.59	23.13
PRWOSW64611	75.25	82.50	68.63	79.91	38.08	52.38	66.59	24.22
PRWOSW6470T	75.25	86.50	68.63	83.91	39.99	52.38	70.59	25.68
PRWOSW6480	75.25	95.50	68.63	92.91	44.28	52.38	79.59	28.95
PRWOSW6480T	75.25	98.50	68.63	95.91	45.71	52.38	82.59	30.04
PRWOSW6490	75.25	107.50	68.63	104.91	49.99	52.38	91.59	33.31
PRWOSW64100	75.25	119.50	68.63	116.91	55.71	52.38	103.59	37.68
PRWOSW7068	83.25	79.50	76.63	76.91	40.92	60.38	63.59	26.66
PRWOSW70611	83.25	82.50	76.63	79.91	42.52	60.38	66.59	27.92
PRWOSW7070T	83.25	86.50	76.63	83.91	44.65	60.38	70.59	29.60
PRWOSW7080	83.25	95.50	76.63	92.91	49.44	60.38	79.59	33.37
PRWOSW7080T	83.25	98.50	76.63	95.91	51.03	60.38	82.59	34.63
PRWOSW7090	83.25	107.50	76.63	104.91	55.82	60.38	91.59	38.40
PRWOSW70100	83.25	119.50	76.63	116.91	62.21	60.38	103.59	43.43
PRWOSW7468	87.25	79.50	80.63	76.91	43.06	64.38	63.59	28.43
PRWOSW74611	87.25	82.50	80.63	79.91	44.74	64.38	66.59	29.77
PRWOSW7470T	87.25	86.50	80.63	83.91	46.98	64.38	70.59	31.56
PRWOSW7480	87.25	95.50	80.63	92.91	52.02	64.38	79.59	35.58
PRWOSW7480T	87.25	98.50	80.63	95.91	53.70	64.38	82.59	36.92
PRWOSW7490	87.25	107.50	80.63	95.91	53.70	64.38	82.59	36.92
PRWOSW74100	87.25	119.50	80.63	95.91	53.70	64.38	82.59	36.92

Notes: [2] Assumes a French Door configuration.



CLEAR OPENING DESIGN DATA TABLES

Three Panel [3]								
Unit Number Bookcode	Frame Width	Frame Height	Clear Opening Width [3]	Clear Opening Height [1]	Vent Area Sq. Ft.	Daylight Opening Width	Daylight Opening Height	Sq. Ft. Daylight Opening
PRWOSW6068-3	70.88	79.50	40.63	76.91	21.70	36.56	63.59	16.15
PRWOSW60611-3	70.88	82.50	40.63	79.91	22.54	36.56	66.59	16.91
PRWOSW6070T-3	70.88	86.50	40.63	83.91	23.67	36.56	70.59	17.92
PRWOSW6080-3	70.88	95.50	40.63	92.91	26.21	36.56	79.59	20.21
PRWOSW6080T-3	70.88	98.50	40.63	95.91	27.06	36.56	82.59	20.97
PRWOSW6090-3	70.88	107.50	40.63	104.91	29.60	36.56	91.59	23.26
PRWOSW60100-3	70.88	119.50	40.63	116.91	32.98	36.56	103.59	26.30
PRWOSW7668-3	88.88	79.50	52.63	76.91	28.11	54.56	63.59	24.10
PRWOSW76611-3	88.88	82.50	52.63	79.91	29.20	54.56	66.59	25.23
PRWOSW7670T-3	88.88	86.50	52.63	83.91	30.66	54.56	70.59	26.75
PRWOSW7680-3	88.88	95.50	52.63	92.91	33.95	54.56	79.59	30.16
PRWOSW7680T-3	88.88	98.50	52.63	95.91	35.05	54.56	82.59	31.30
PRWOSW7690-3	88.88	107.50	52.63	104.91	38.34	54.56	91.59	34.71
PRWOSW76100-3	88.88	119.50	52.63	116.91	42.72	54.56	103.59	39.25
PRWOSW8068-3	94.88	79.50	56.63	76.91	30.24	60.56	63.59	26.75
PRWOSW80611-3	94.88	82.50	56.63	79.91	31.42	60.56	66.59	28.01
PRWOSW8070T-3	94.88	86.50	56.63	83.91	32.99	60.56	70.59	29.69
PRWOSW8080-3	94.88	95.50	56.63	92.91	36.53	60.56	79.59	33.47
PRWOSW8080T-3	94.88	98.50	56.63	95.91	37.71	60.56	82.59	34.74
PRWOSW8090-3	94.88	107.50	56.63	104.91	41.25	60.56	91.59	38.52
PRWOSW80100-3	94.88	119.50	56.63	116.91	45.97	60.56	103.59	43.57
PRWOSW9068-3	106.88	79.50	64.63	76.91	34.51	72.56	63.59	32.05
PRWOSW90611-3	106.88	82.50	64.63	79.91	35.86	72.56	66.59	33.56
PRWOSW9070T-3	106.88	86.50	64.63	83.91	37.66	72.56	70.59	35.57
PRWOSW9080-3	106.88	95.50	64.63	92.91	41.69	72.56	79.59	40.11
PRWOSW9080T-3	106.88	98.50	64.63	95.91	43.04	72.56	82.59	41.62
PRWOSW9090-3	106.88	107.50	64.63	104.91	47.08	72.56	91.59	46.15
PRWOSW90100-3	106.88	119.50	64.63	116.91	52.47	72.56	103.59	52.20
PRWOSW9668-3	112.88	79.50	68.63	76.91	36.65	78.56	63.59	34.70
PRWOSW96611-3	112.88	82.50	68.63	79.91	38.08	78.56	66.59	36.33
PRWOSW9670T-3	112.88	86.50	68.63	83.91	39.99	78.56	70.59	38.51
PRWOSW9680-3	112.88	95.50	68.63	92.91	44.28	78.56	79.59	43.42
PRWOSW9680T-3	112.88	98.50	68.63	95.91	45.71	78.56	82.59	45.06
PRWOSW9690-3	112.88	107.50	68.63	104.91	49.99	78.56	91.59	49.97
PRWOSW96100-3	112.88	119.50	68.63	116.91	55.71	78.56	103.59	56.52
PRWOSW10668-3	124.88	79.50	76.63	76.91	40.92	90.56	63.59	39.99
PRWOSW106611-3	124.88	82.50	76.63	79.91	42.52	90.56	66.59	41.88
PRWOSW10670T-3	124.88	86.50	76.63	83.91	44.65	90.56	70.59	44.40
PRWOSW10680-3	124.88	95.50	76.63	92.91	49.44	90.56	79.59	50.06
PRWOSW10680T-3	124.88	98.50	76.63	95.91	51.03	90.56	82.59	51.94
PRWOSW10690-3	124.88	107.50	76.63	104.91	55.82	90.56	91.59	57.60
PRWOSW106100-3	124.88	119.50	76.63	116.91	62.21	90.56	103.59	65.15
PRWOSW11068-3	130.88	79.50	80.63	76.91	43.06	96.56	63.59	42.64
PRWOSW110611-3	130.88	82.50	80.63	79.91	44.74	96.56	66.59	44.66
PRWOSW11070T-3	130.88	86.50	80.63	83.91	46.98	96.56	70.59	47.34
PRWOSW11080-3	130.88	95.50	80.63	92.91	52.02	96.56	79.59	53.37
PRWOSW11080T-3	130.88	98.50	80.63	95.91	53.70	96.56	82.59	55.39
PRWOSW11090-3	130.88	107.50	80.63	95.91	53.70	96.56	82.59	55.39
PRWOSW110100-3	130.88	119.50	80.63	95.91	53.70	96.56	82.59	55.39

Notes: [3] Assumes a configuration with a French Door and single flanking stationary panel.



CLEAR OPENING DESIGN DATA TABLES

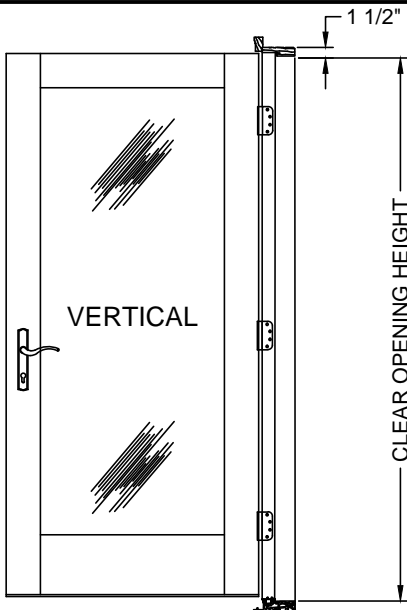
Four Panel [4]								
Unit Number Bookcode	Frame Width	Frame Height	Clear Opening Width [4]	Clear Opening Height [1]	Vent Area Sq. Ft.	Daylight Opening Width	Daylight Opening Height	Sq. Ft. Daylight Opening
PRWOSW8068-4	94.50	79.50	40.63	76.91	21.70	48.75	63.59	21.53
PRWOSW80611-4	94.50	82.50	40.63	79.91	22.54	48.75	66.59	22.54
PRWOSW8070T-4	94.50	86.50	40.63	83.91	23.67	48.75	70.59	23.90
PRWOSW8080-4	94.50	95.50	40.63	92.91	26.21	48.75	79.59	26.95
PRWOSW8080T-4	94.50	98.50	40.63	95.91	27.06	48.75	82.59	27.96
PRWOSW8090-4	94.50	107.50	40.63	104.91	29.60	48.75	91.59	31.01
PRWOSW80100-4	94.50	119.50	40.63	116.91	32.98	48.75	103.59	35.07
PRWOSW10068-4	118.50	79.50	52.63	76.91	28.11	72.75	63.59	32.13
PRWOSW100611-4	118.50	82.50	52.63	79.91	29.20	72.75	66.59	33.64
PRWOSW10070T-4	118.50	86.50	52.63	83.91	30.66	72.75	70.59	35.66
PRWOSW10080-4	118.50	95.50	52.63	92.91	33.95	72.75	79.59	40.21
PRWOSW10080T-4	118.50	98.50	52.63	95.91	35.05	72.75	82.59	41.73
PRWOSW10090-4	118.50	107.50	52.63	104.91	38.34	72.75	91.59	46.27
PRWOSW100100-4	118.50	119.50	52.63	116.91	42.72	72.75	103.59	52.34
PRWOSW10668-4	126.50	79.50	56.63	76.91	30.24	80.75	63.59	35.66
PRWOSW106611-4	126.50	82.50	56.63	79.91	31.42	80.75	66.59	37.34
PRWOSW10670T-4	126.50	86.50	56.63	83.91	32.99	80.75	70.59	39.59
PRWOSW10680-4	126.50	95.50	56.63	92.91	36.53	80.75	79.59	44.63
PRWOSW10680T-4	126.50	98.50	56.63	95.91	37.71	80.75	82.59	46.32
PRWOSW10690-4	126.50	107.50	56.63	104.91	41.25	80.75	91.59	51.36
PRWOSW106100-4	126.50	119.50	56.63	116.91	45.97	80.75	103.59	58.09
PRWOSW12068-4	142.50	79.50	64.63	76.91	34.51	96.75	63.59	42.73
PRWOSW120611-4	142.50	82.50	64.63	79.91	35.86	96.75	66.59	44.74
PRWOSW12070T-4	142.50	86.50	64.63	83.91	37.66	96.75	70.59	47.43
PRWOSW12080-4	142.50	95.50	64.63	92.91	41.69	96.75	79.59	53.48
PRWOSW12080T-4	142.50	98.50	64.63	95.91	43.04	96.75	82.59	55.49
PRWOSW12090-4	142.50	107.50	64.63	104.91	47.08	96.75	91.59	61.54
PRWOSW120100-4	142.50	119.50	64.63	116.91	52.47	96.75	103.59	69.60
PRWOSW12668-4	150.50	79.50	68.63	76.91	36.65	104.75	63.59	46.26
PRWOSW126611-4	150.50	82.50	68.63	79.91	38.08	104.75	66.59	48.44
PRWOSW12670T-4	150.50	86.50	68.63	83.91	39.99	104.75	70.59	51.35
PRWOSW12680-4	150.50	95.50	68.63	92.91	44.28	104.75	79.59	57.90
PRWOSW12680T-4	150.50	98.50	68.63	95.91	45.71	104.75	82.59	60.08
PRWOSW12690-4	150.50	107.50	68.63	104.91	49.99	104.75	91.59	66.63
PRWOSW126100-4	150.50	119.50	68.63	116.91	55.71	104.75	103.59	75.36
PRWOSW14068-4	166.50	79.50	76.63	76.91	40.92	120.75	63.59	53.33
PRWOSW140611-4	166.50	82.50	76.63	79.91	42.52	120.75	66.59	55.84
PRWOSW14070T-4	166.50	86.50	76.63	83.91	44.65	120.75	70.59	59.20
PRWOSW14080-4	166.50	95.50	76.63	92.91	49.44	120.75	79.59	66.74
PRWOSW14080T-4	166.50	98.50	76.63	95.91	51.03	120.75	82.59	69.26
PRWOSW14090-4	166.50	107.50	76.63	104.91	55.82	120.75	91.59	76.81
PRWOSW140100-4	166.50	119.50	76.63	116.91	62.21	120.75	103.59	86.87
PRWOSW14668-4	174.50	79.50	80.63	76.91	43.06	128.75	63.59	56.86
PRWOSW146611-4	174.50	82.50	80.63	79.91	44.74	128.75	66.59	59.54
PRWOSW14670T-4	174.50	86.50	80.63	83.91	46.98	128.75	70.59	63.12
PRWOSW14680-4	174.50	95.50	80.63	92.91	52.02	128.75	79.59	71.16
PRWOSW14680T-4	174.50	98.50	80.63	95.91	53.70	128.75	82.59	73.85
PRWOSW14690-4	174.50	107.50	80.63	95.91	53.70	128.75	82.59	73.85
PRWOSW146100-4	174.50	119.50	80.63	95.91	53.70	128.75	82.59	73.85

Notes: [4] Assumes a configuration with a French Door and two flanking stationary panels.

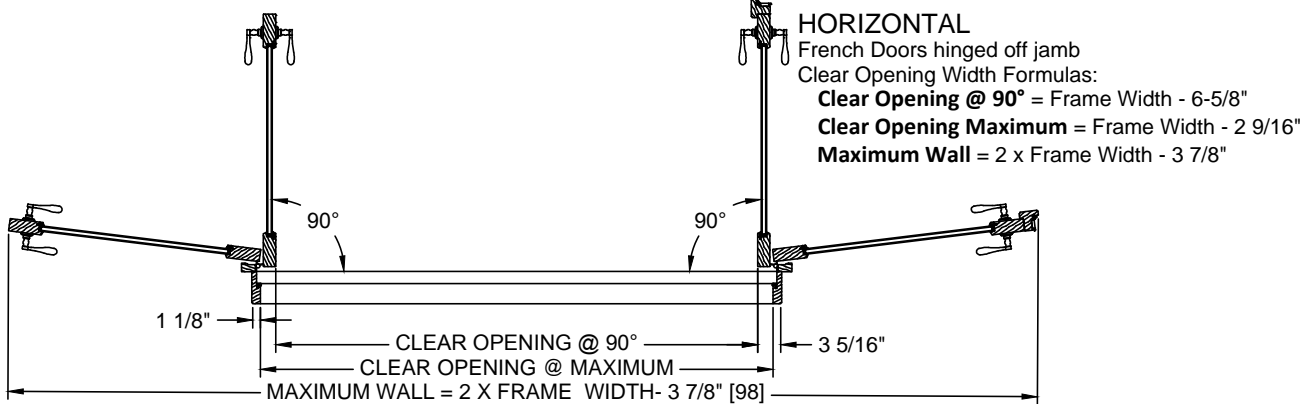
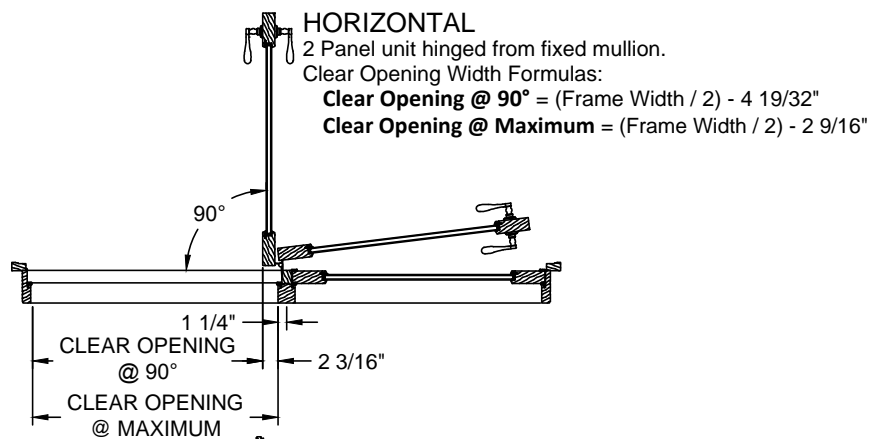
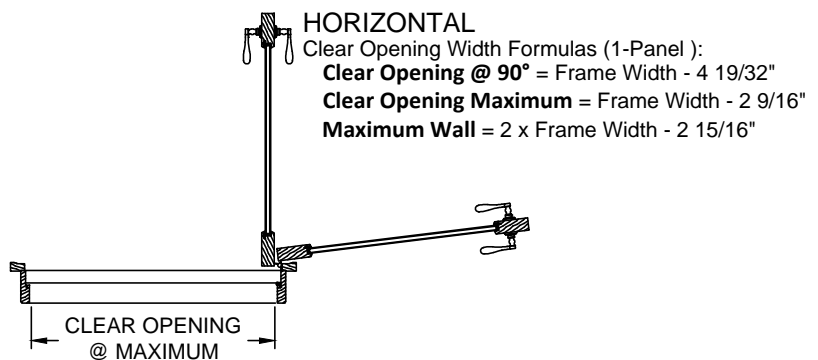




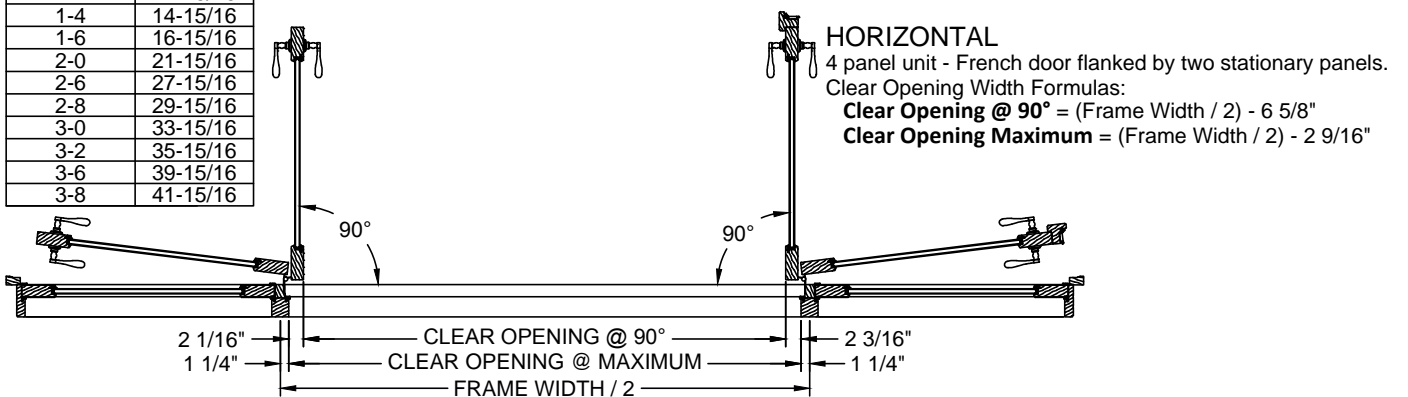
**CLEAR OPENING LAYOUT**



**VERTICAL**  
Clear Opening Height Formulas:  
With DP35 Sill  
**Clear Opening Height** = Frame Height - 2 21/32"



Panel Callout	Panel Width
1-2	12-15/16
1-4	14-15/16
1-6	16-15/16
2-0	21-15/16
2-6	27-15/16
2-8	29-15/16
3-0	33-15/16
3-2	35-15/16
3-6	39-15/16
3-8	41-15/16





**UNIT SIZING, ROUGH OPENING & MASONRY OPENINGS**

General Notes:

Unit size is always the maximum size of the window with or without trim.

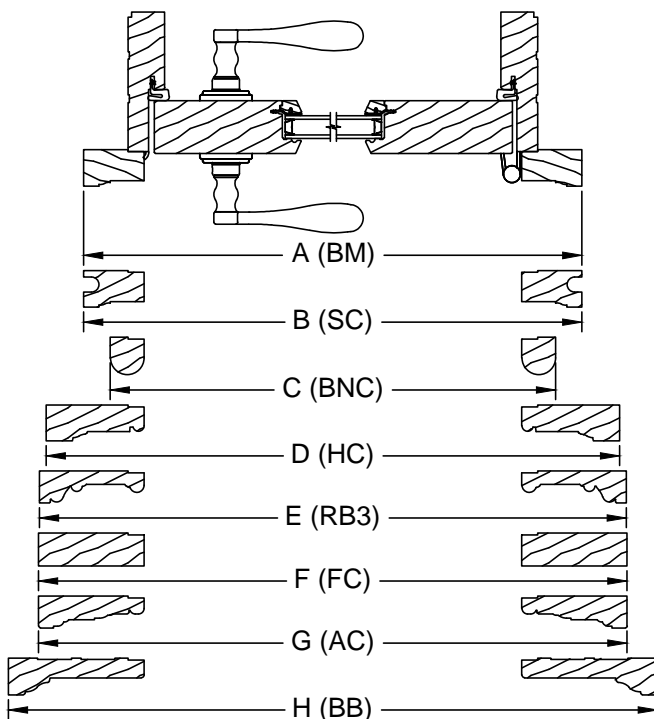
Masonry Opening:

Masonry opening is always 1/2" over (height and width) the unit size or the outside of the trim of the window.

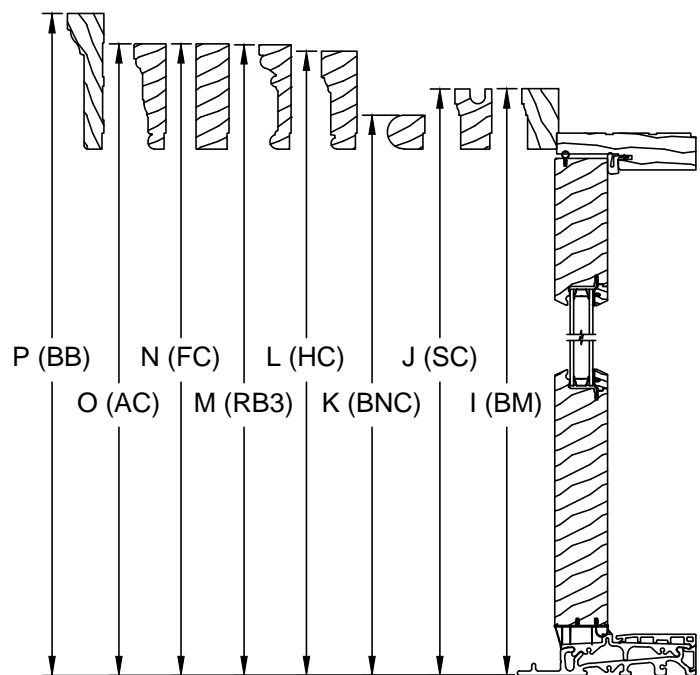
Rough Opening:

Rough opening is always 3/4" over frame size of the window.

Horizontal exterior trim offerings.



Vertical exterior trim offerings.  
Trim on 3 sides.

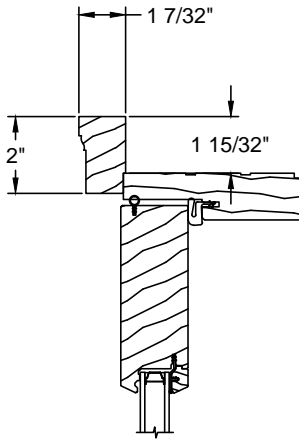


Horizontal Sections		
Trim Option	Dimension	Frame +
Brickmould (BM)	A	2 15/16"
Stucco Casing (SC)	B	2 15/16"
Bull Nose Casing (BNC)	C	1 3/16"
Heritage Casing (HC)	D	5 7/16"
RB-3 Casing (RB3)	E	5 7/8"
3 1/2" Flat Casing (FC)	F	5 15/16"
Adams Casing (AC)	G	5 15/16"
1 X 4 Back Band Casing (BB)	H	7 15/16"

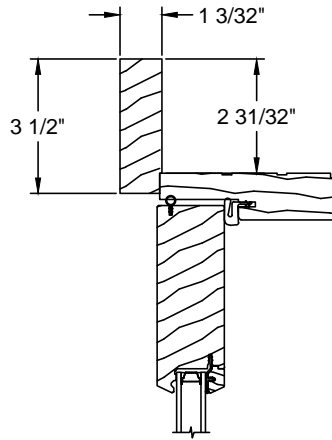
Vertical Sections		
Trim Option	Dimension	Frame +
Brickmould (BM)	I	1 15/32"
Stucco Casing (SC)	J	1 15/32"
Bull Nose Casing (BNC)	K	19/32"
Heritage Casing (HC)	L	2 23/32"
RB-3 Casing (RB3)	M	2 15/16"
3 1/2" Flat Casing (FC)	N	2 31/32"
Adams Casing (AC)	O	2 31/32"
1 X 4 Back Band Casing (BB)	P	3 31/32"



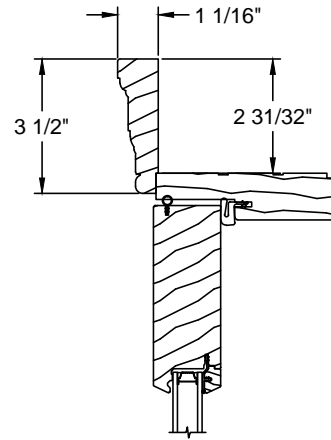
TRIM OPTIONS



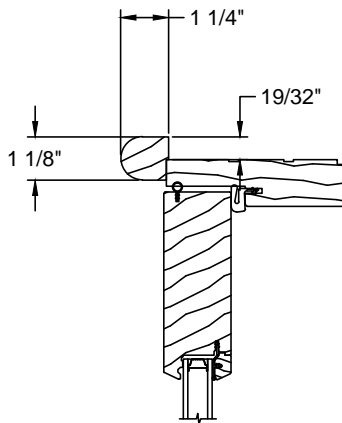
BRICKMOULD



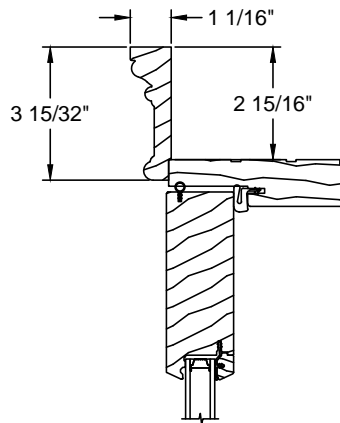
3-1/2 FLAT CASING



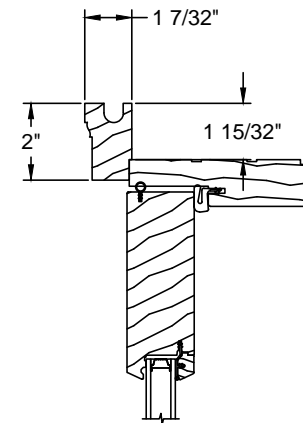
ADAMS CASING



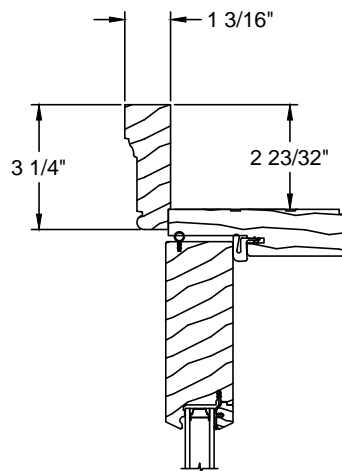
BULL NOSE CASING



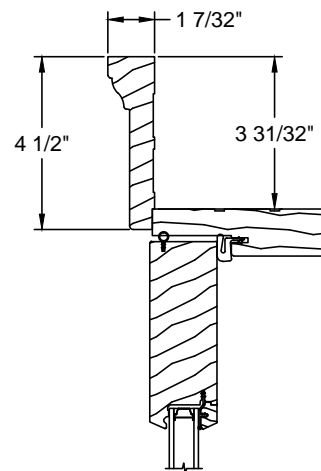
RB-3 CASING



STUCCO BRICKMOULD



HERITAGE CASING

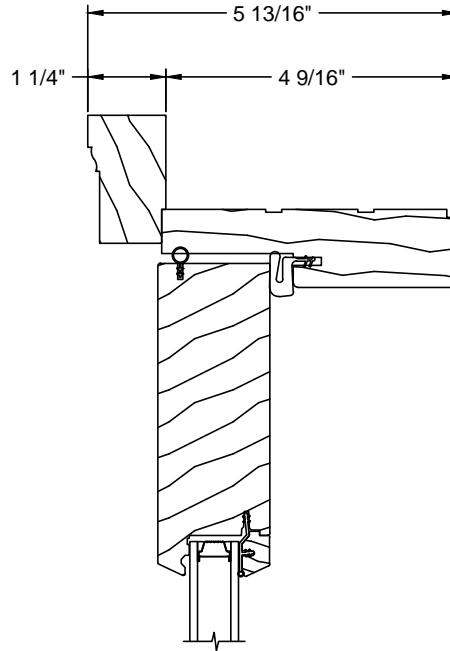


1 X 4 BACK BAND CASING

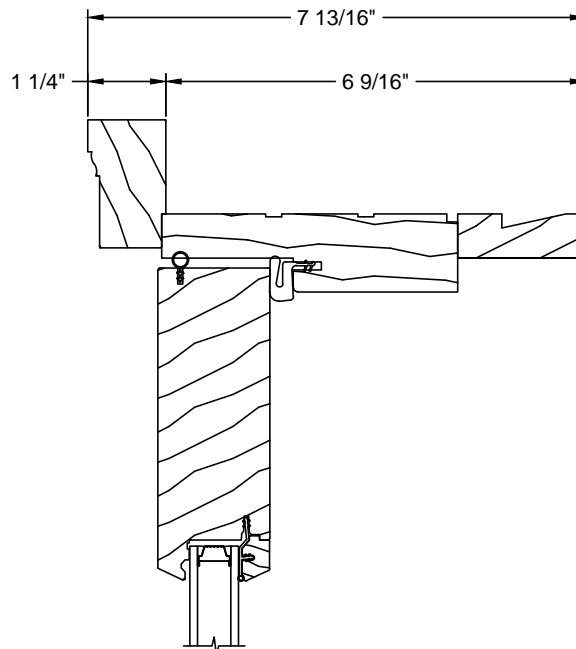


FRAME OPTIONS

---



4 9/16" FRAME OPTION

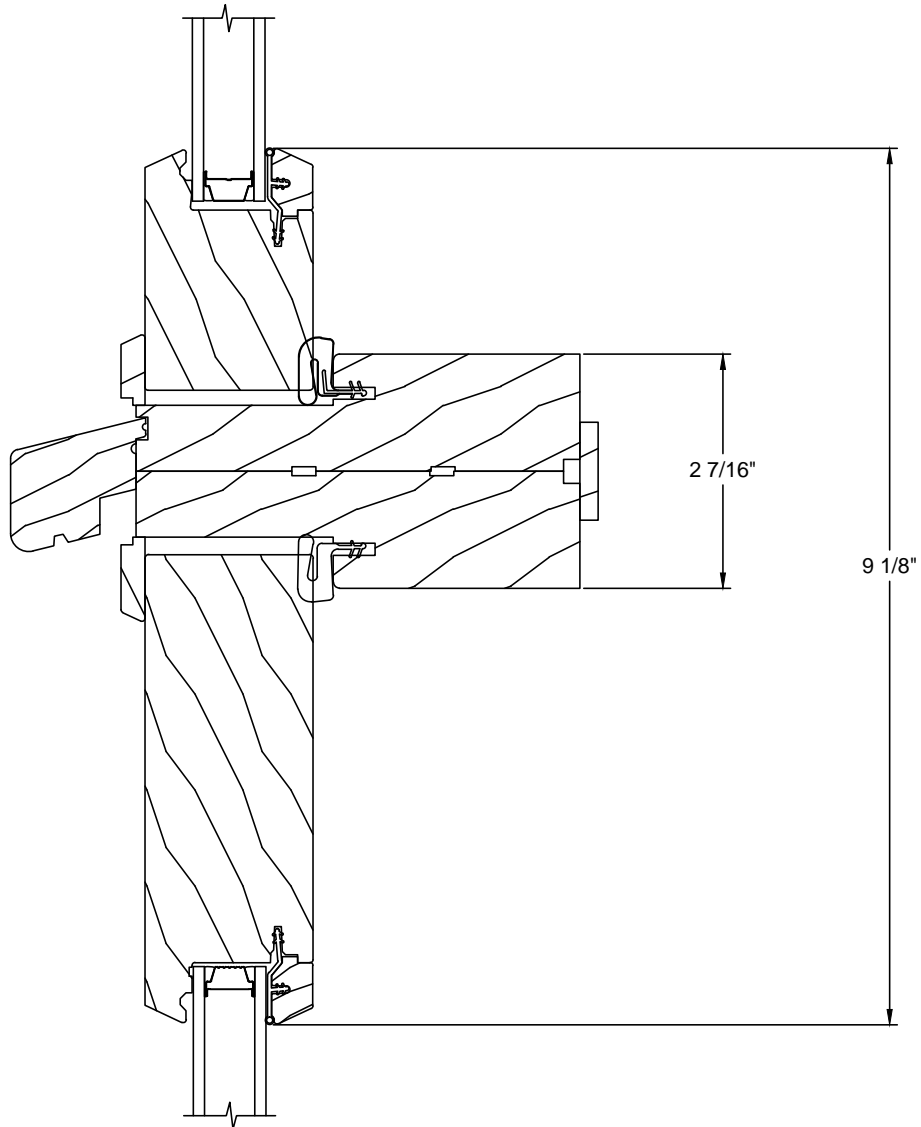


6 9/16" FRAME OPTION



SITELINE WOOD OUTSWING PATIO DOOR MULLION-VERTICAL SECTION

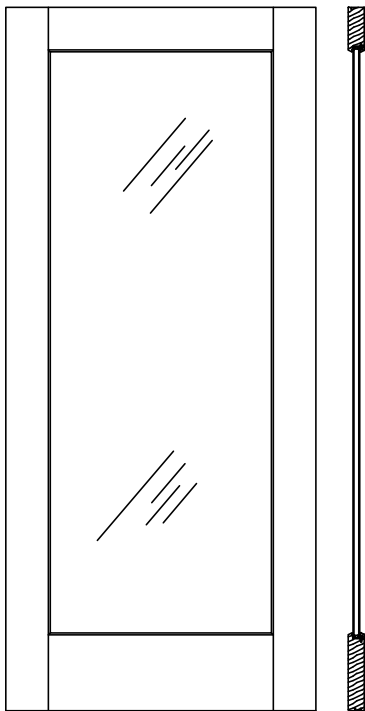
---



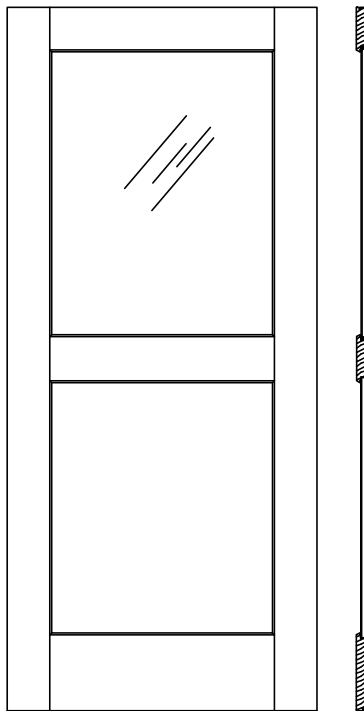
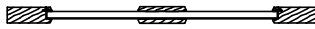


RAISED PANEL OPTIONS

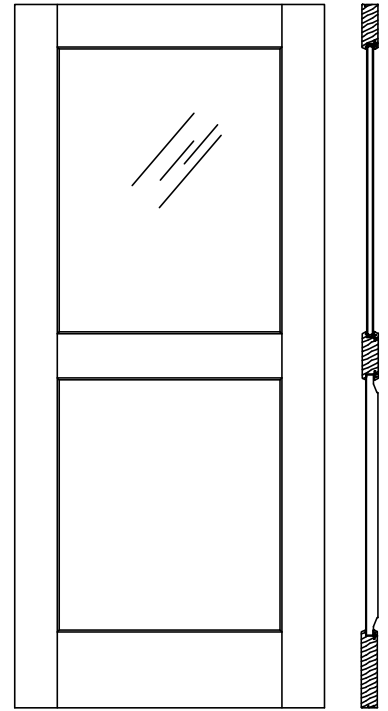
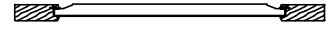
---



STANDARD GLAZED PANEL



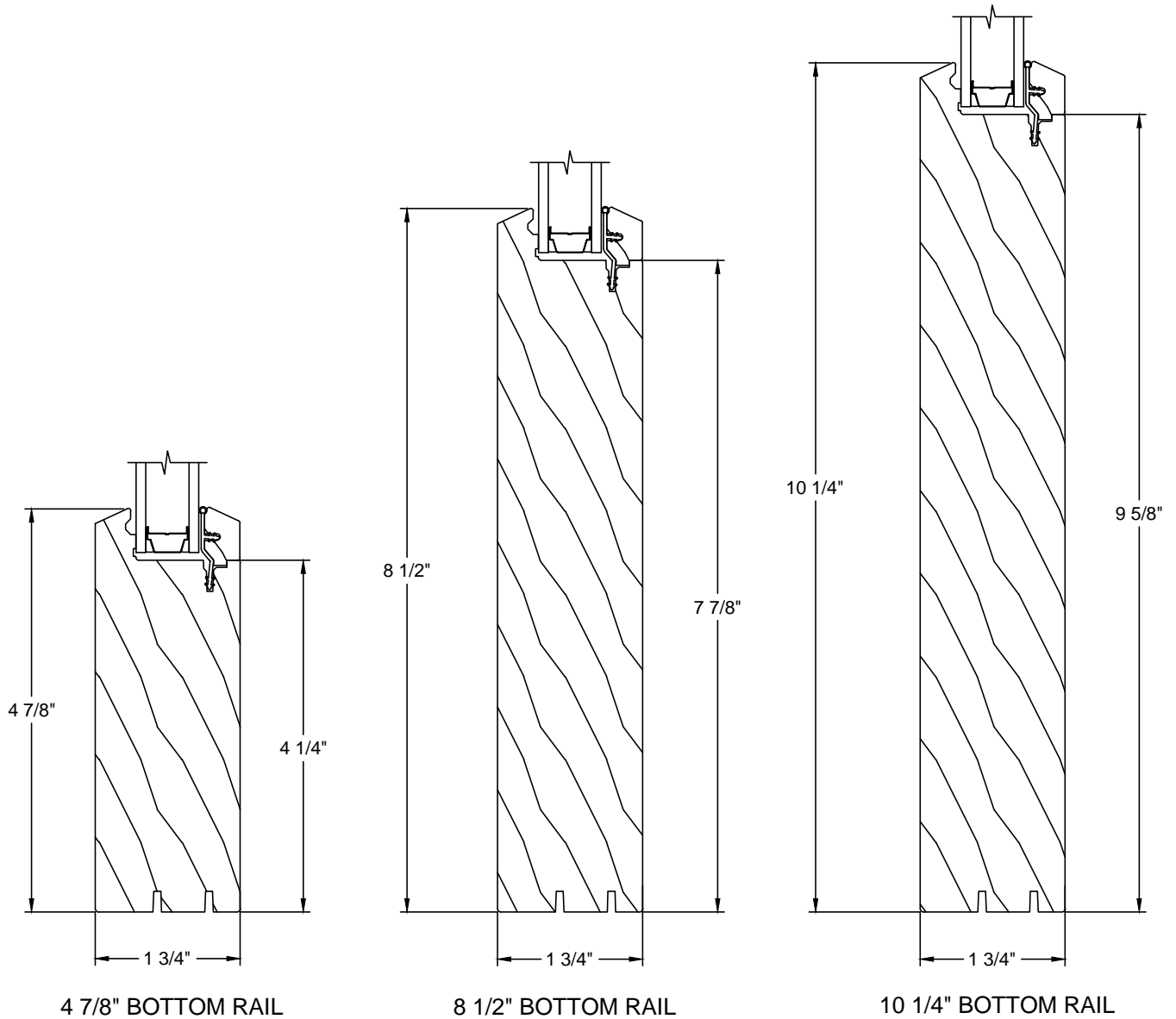
OPTION 1  
INTERIOR FLAT PANEL -  
EXTERIOR FLAT PANEL



OPTION 2  
INTERIOR RAISED PANEL -  
EXTERIOR FLAT PANEL



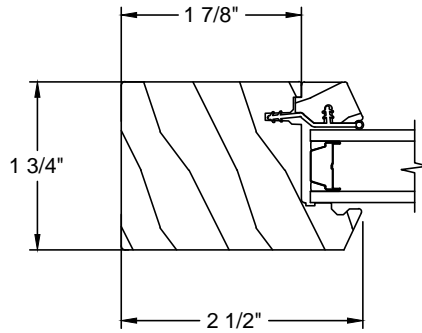
BOTTOM RAIL OPTIONS



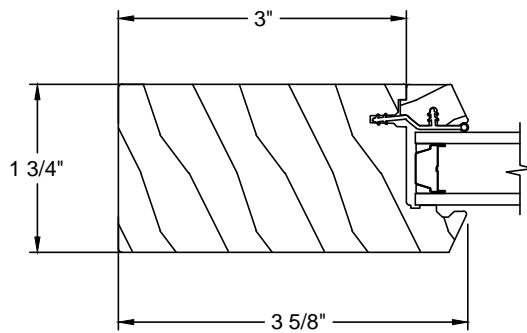


STILE OPTIONS

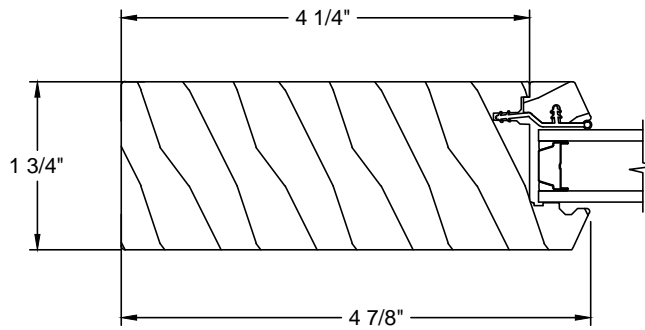
---



SIDELITE STILE



NARROW STILE



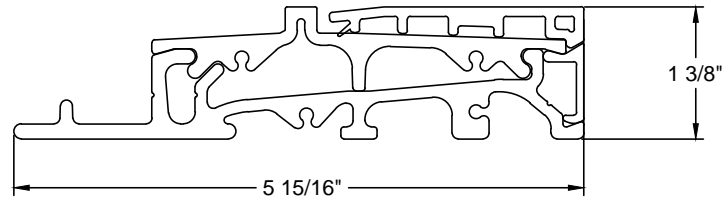
WIDE STILE



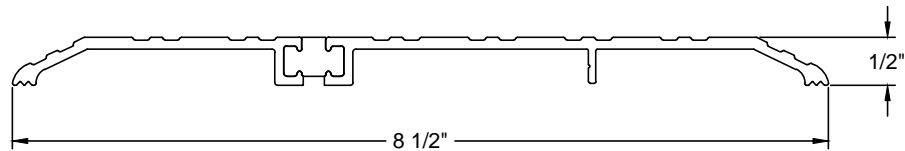


SILL OPTIONS

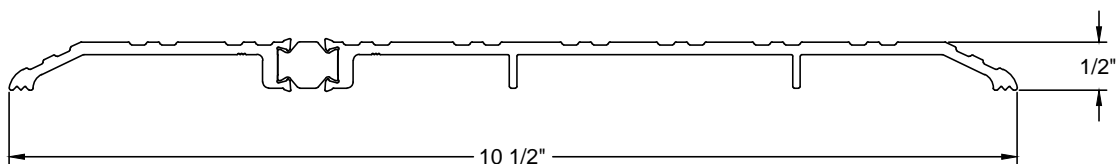
---



4 9/16" SILL



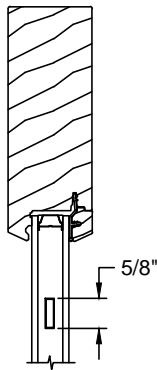
8 1/2" ADA SILL



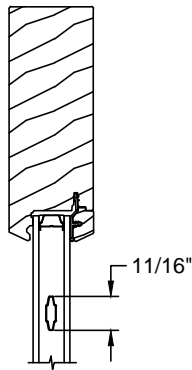
10 1/2" ADA SILL



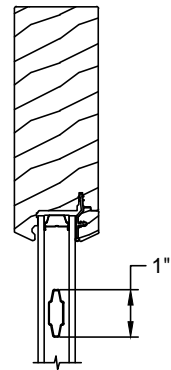
GRILLE BETWEEN GLASS (GBG) & WOOD GRILLE OPTIONS



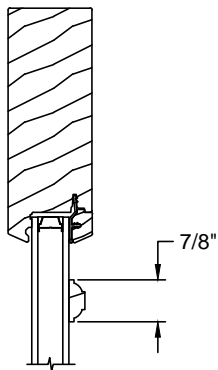
5/8" GBG



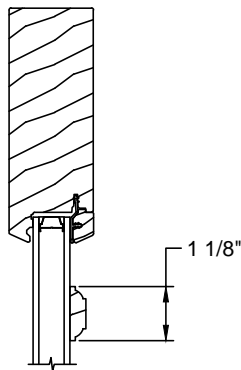
23/32" CONTOUR  
GBG



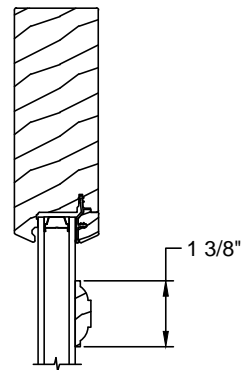
W/ 1" CONTOUR  
GBG



FULL SURROUND  
7/8" WOOD GRILLE



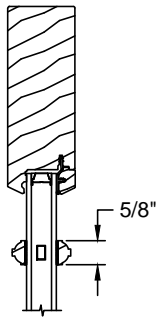
FULL SURROUND  
1 1/8" WOOD GRILLE



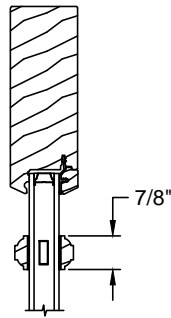
FULL SURROUND  
1 3/8" WOOD GRILLE



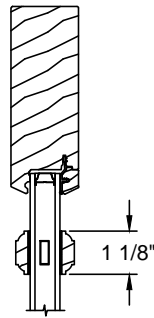
SIMULATED DIVIDED LITE (SDL) OPTIONS



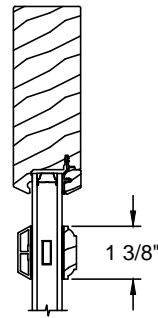
5/8" SDL  
BEAD / BEAD



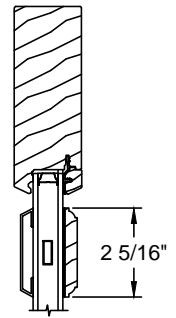
7/8" SDL  
BEAD / BEAD



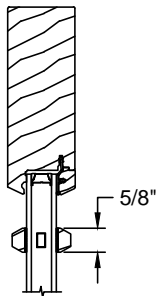
1 1/8" SDL  
BEAD / BEAD



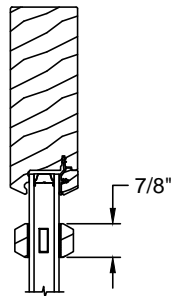
1 3/8" SDL  
BEAD / BEAD



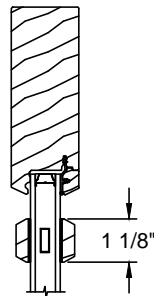
2 5/16" SDL  
BEAD / BEAD



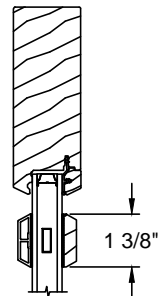
5/8" SDL  
PUTTY / PUTTY



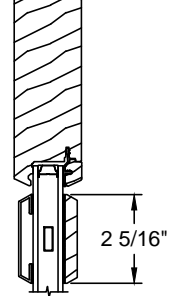
7/8" SDL  
PUTTY / PUTTY



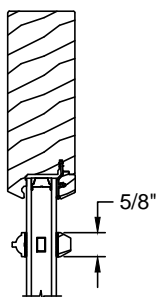
1 1/8" SDL  
PUTTY / PUTTY



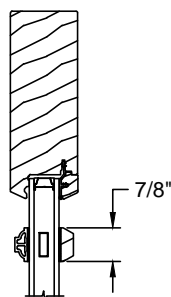
1 3/8" SDL  
PUTTY / PUTTY



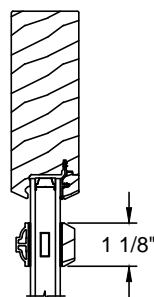
2 5/16" SDL  
PUTTY / PUTTY



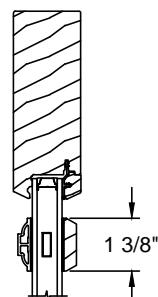
5/8" SDL  
BEAD / PUTTY



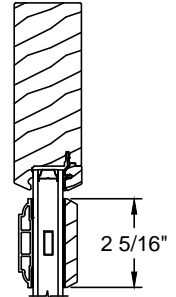
7/8" SDL  
BEAD / PUTTY



1 1/8" SDL  
BEAD / PUTTY



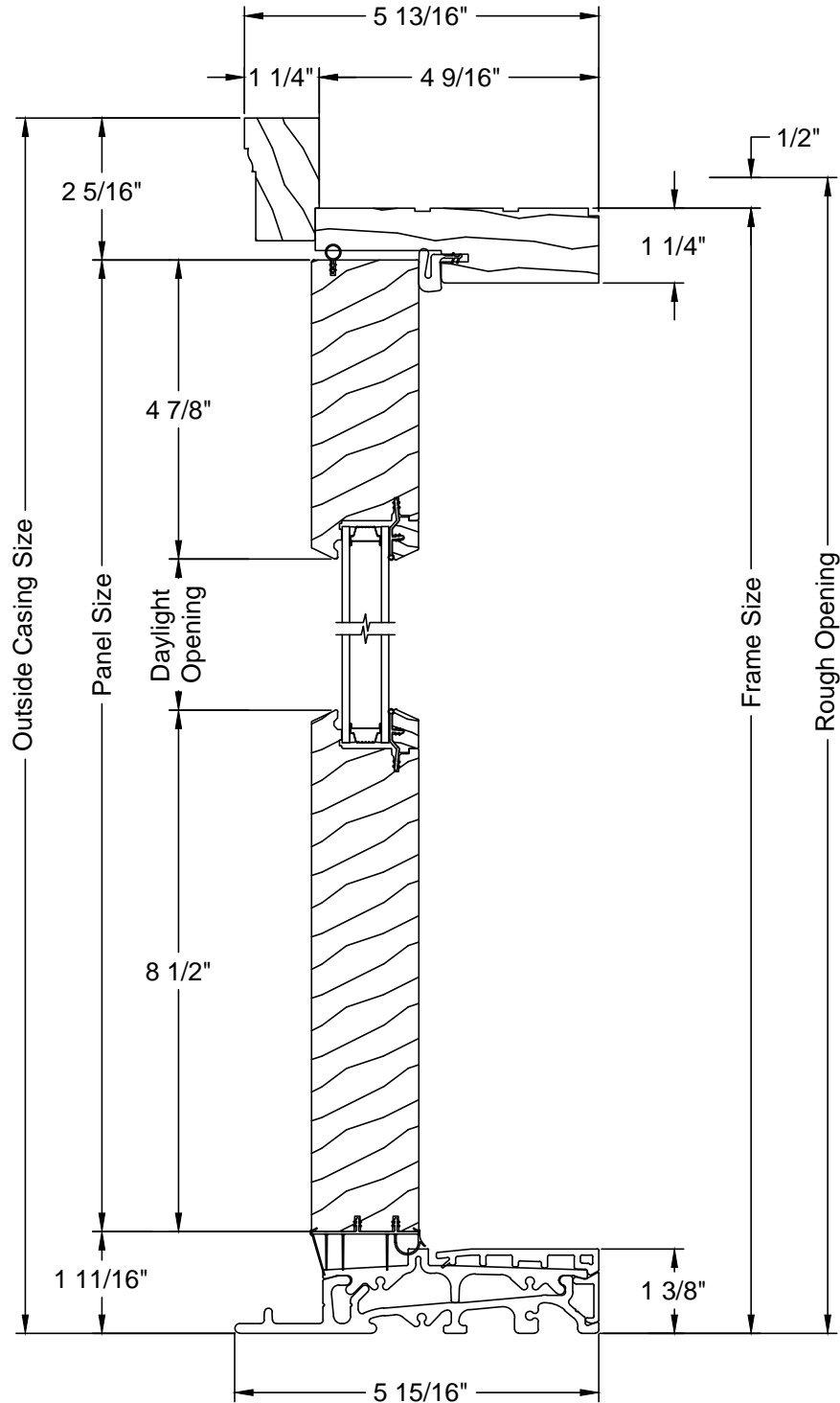
1 3/8" SDL  
BEAD / PUTTY



2 5/16" SDL  
BEAD / PUTTY

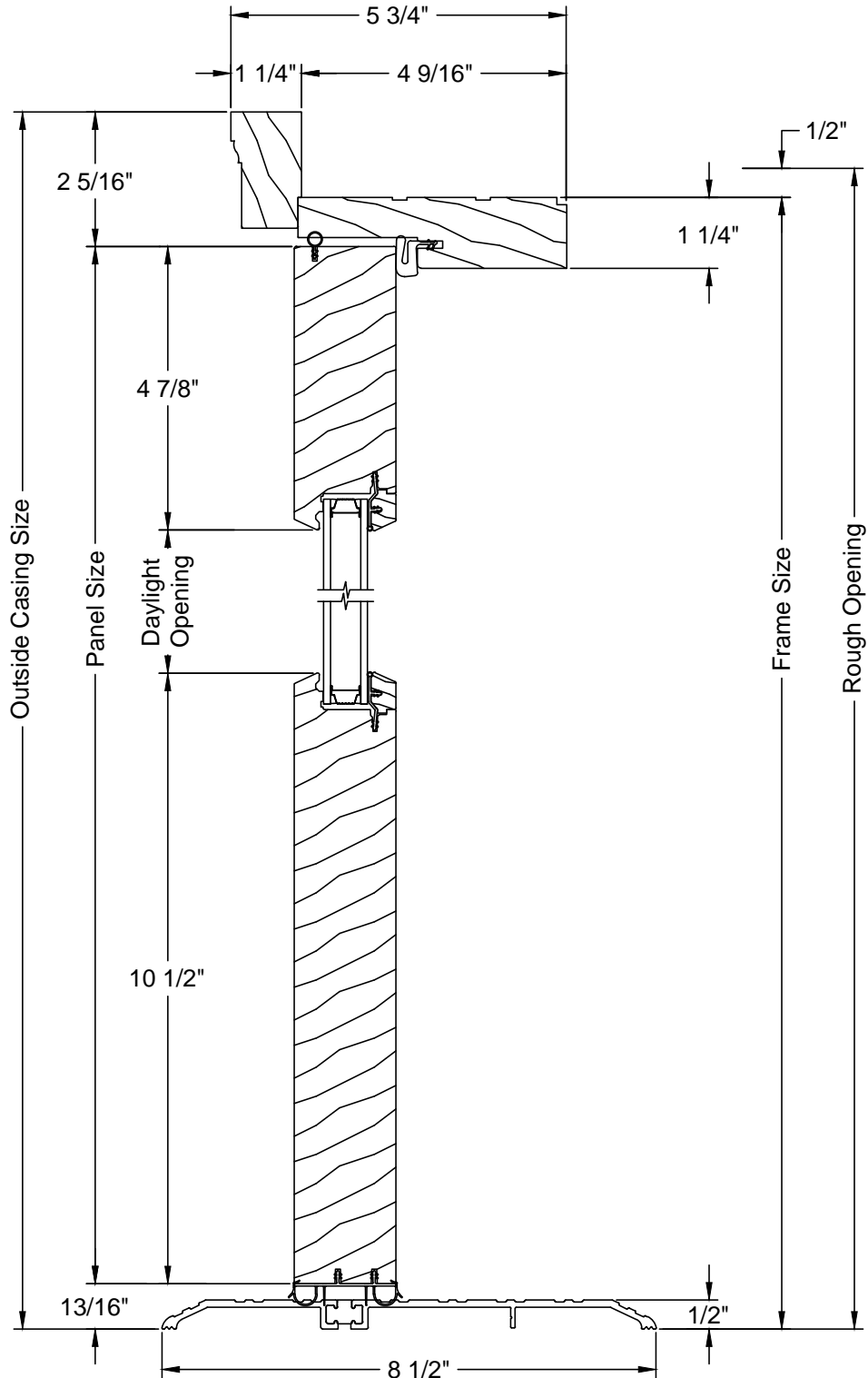


OPERATING - VERTICAL SECTION



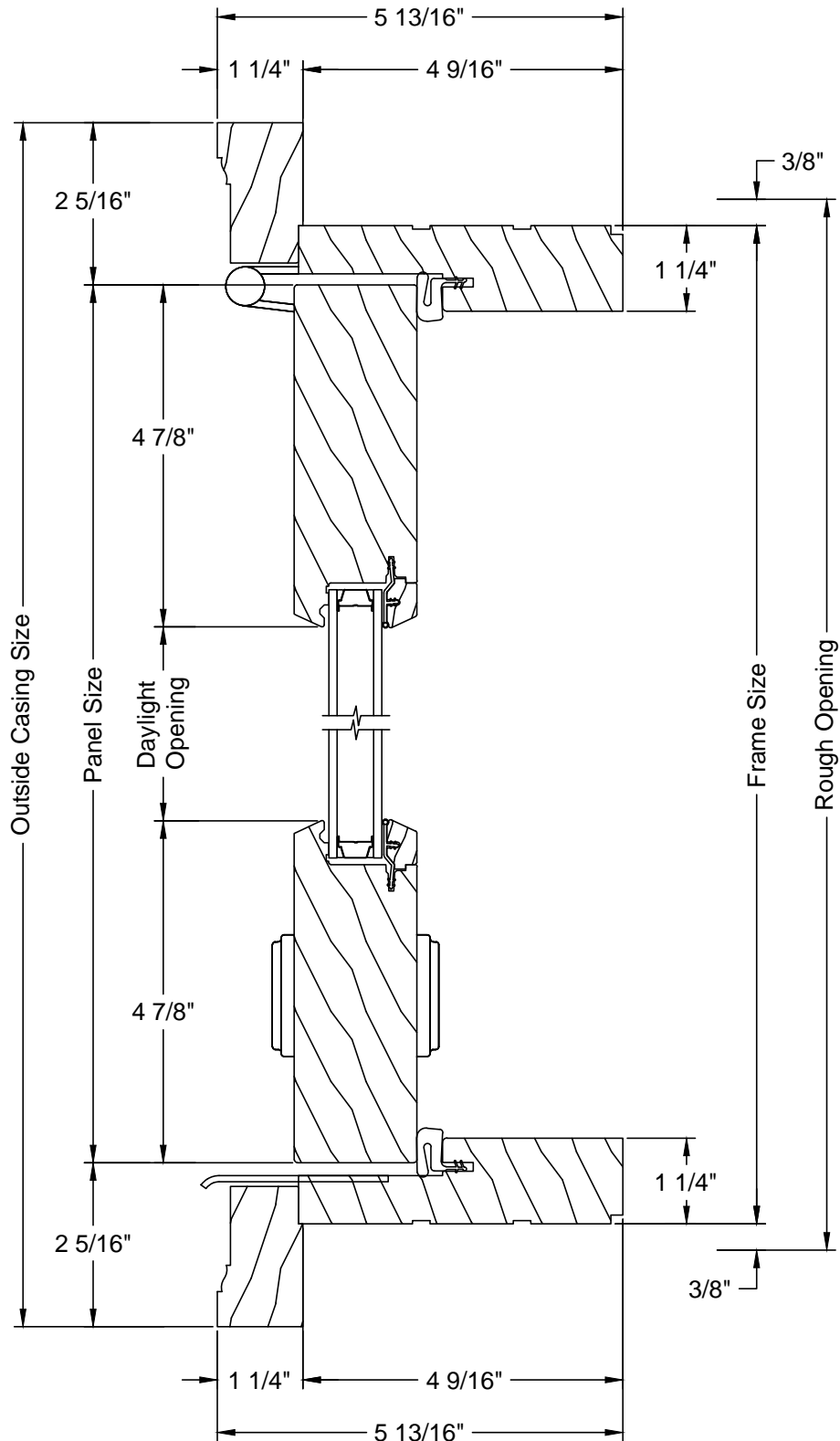


OPERATING ADA - VERTICAL SECTION



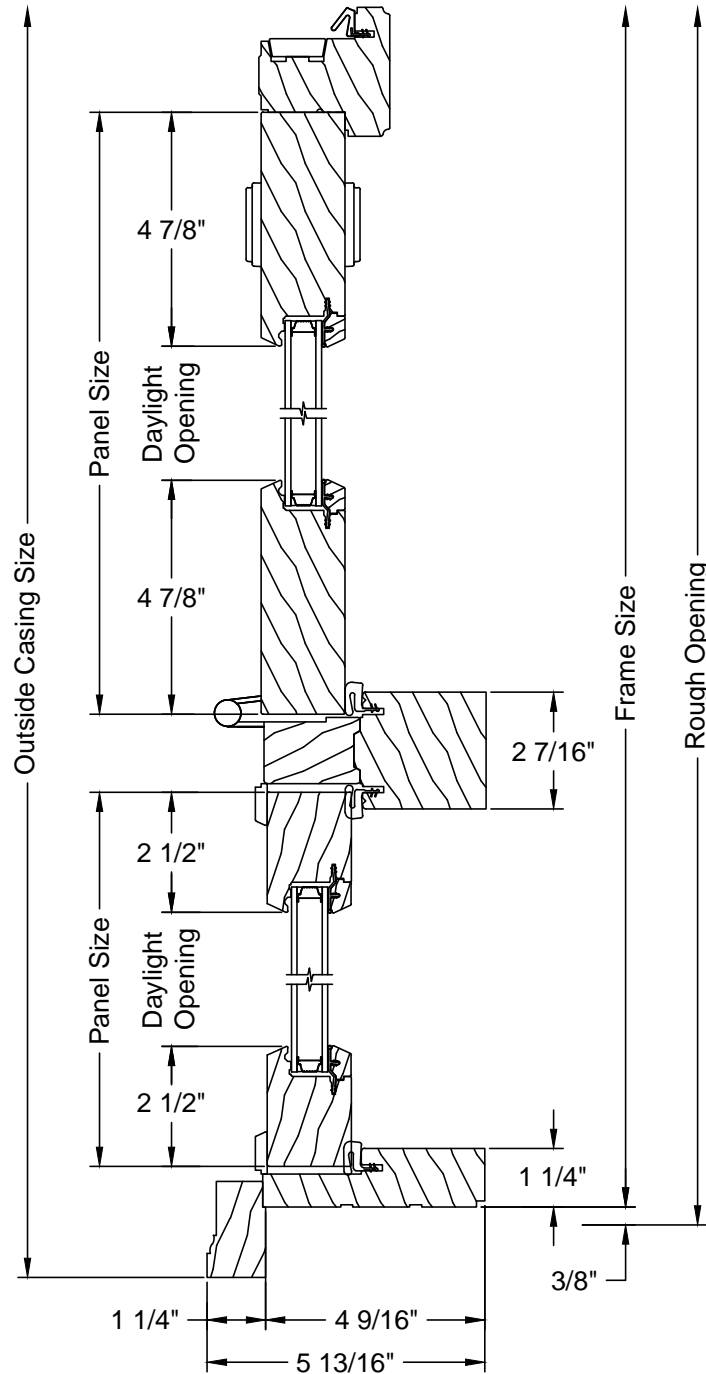


OPERATING WIDE STILE - HORIZONTAL SECTION



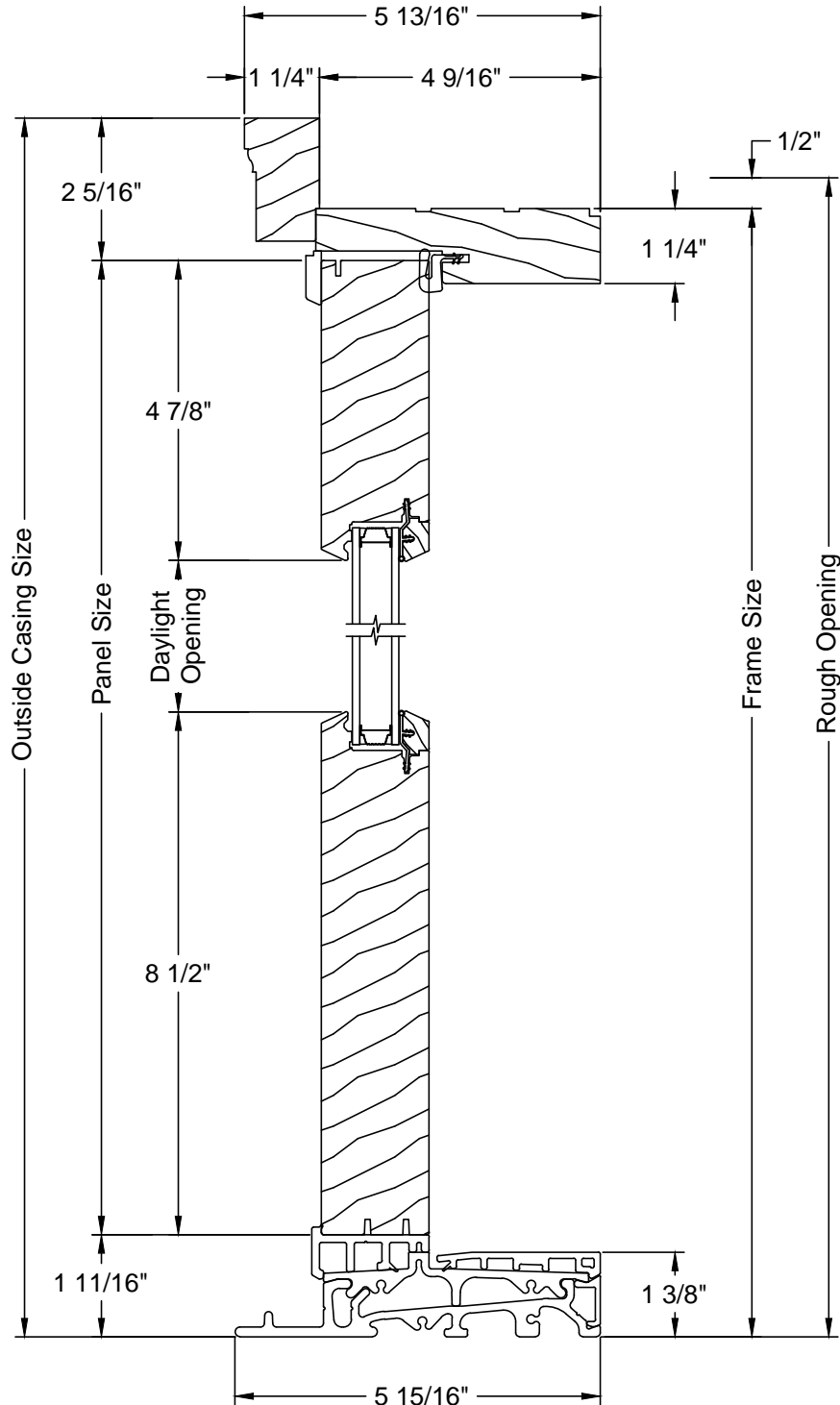


OPERATING QUAD - HORIZONTAL SECTION





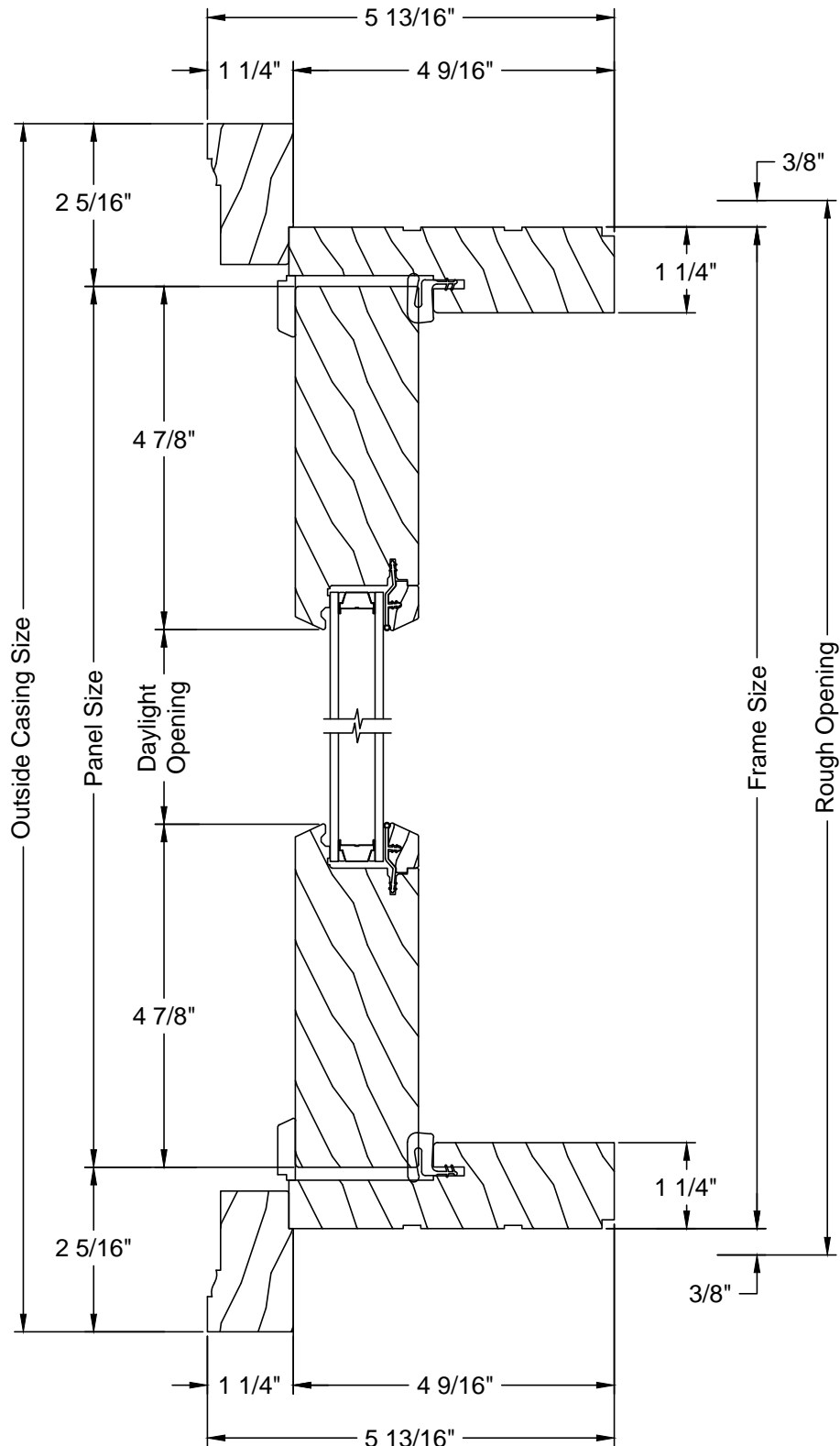
FIXED - VERTICAL SECTION





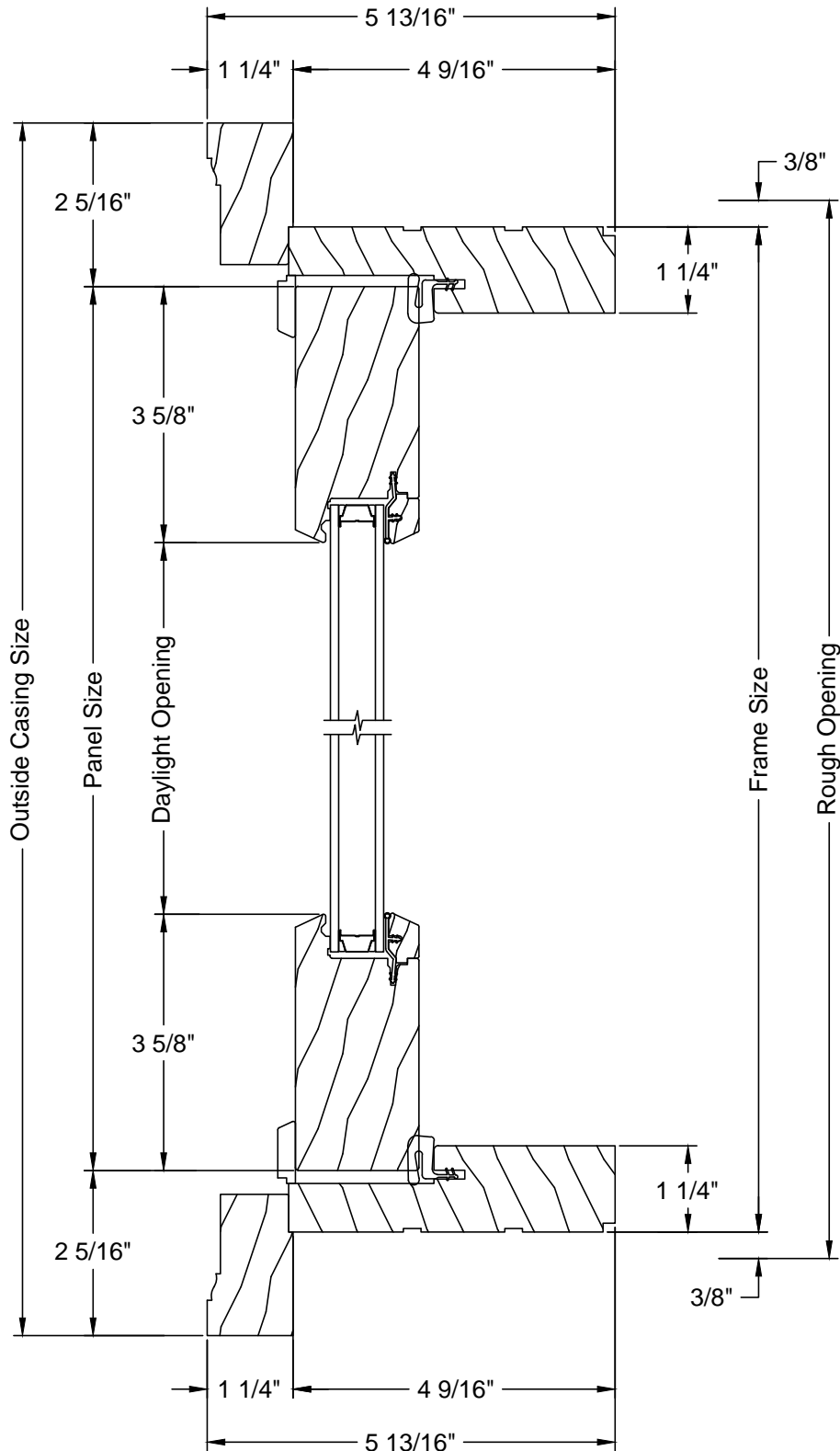


FIXED WIDE STILE - HORIZONTAL SECTION



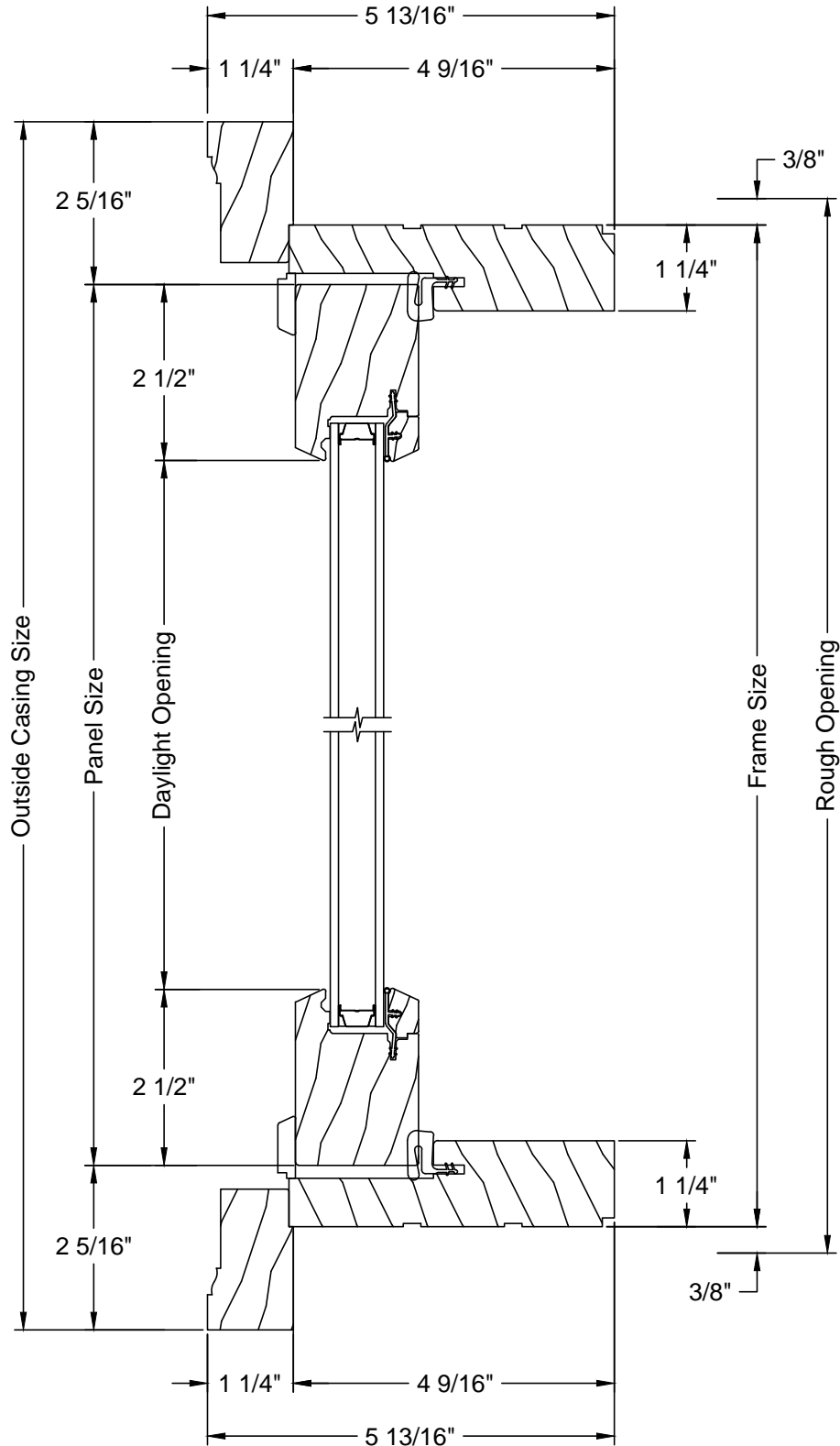


FIXED NARROW STILE - HORIZONTAL SECTION



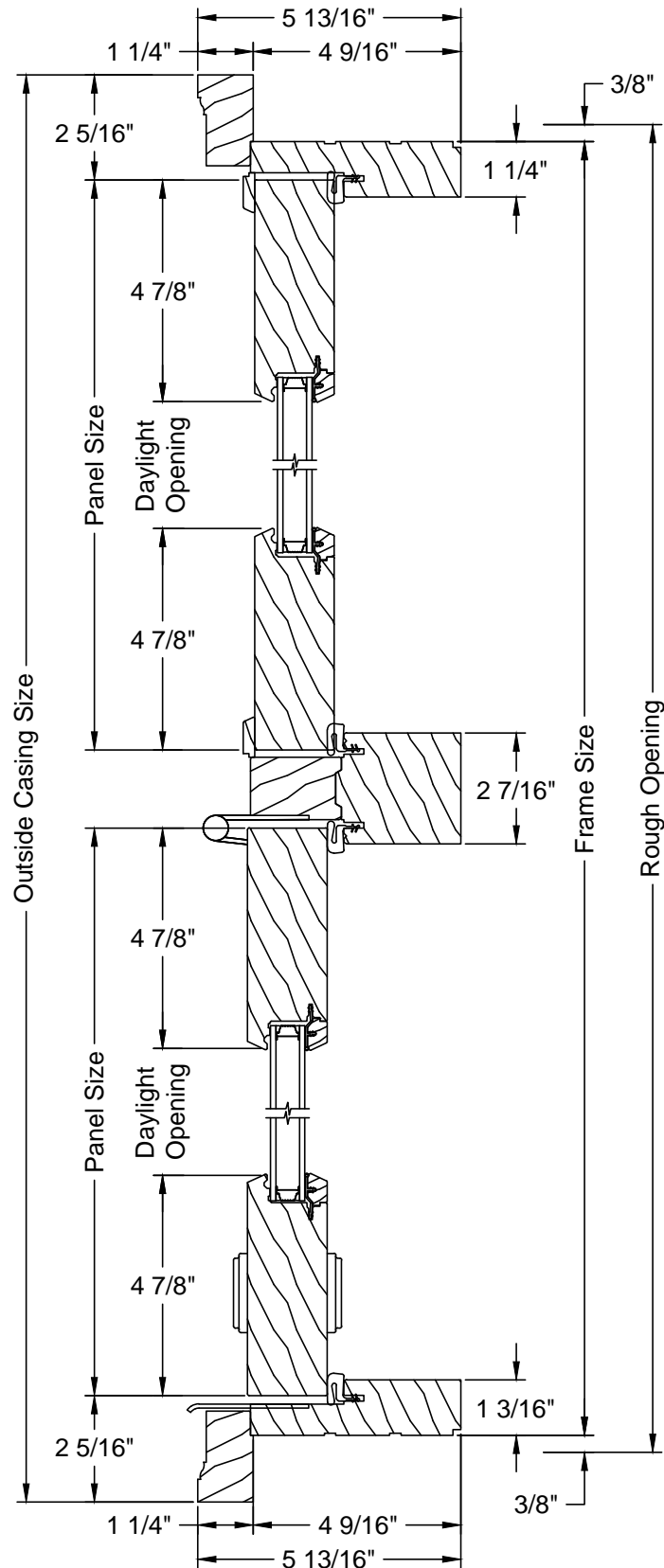


FIXED SIDELITE STILE - HORIZONTAL SECTION



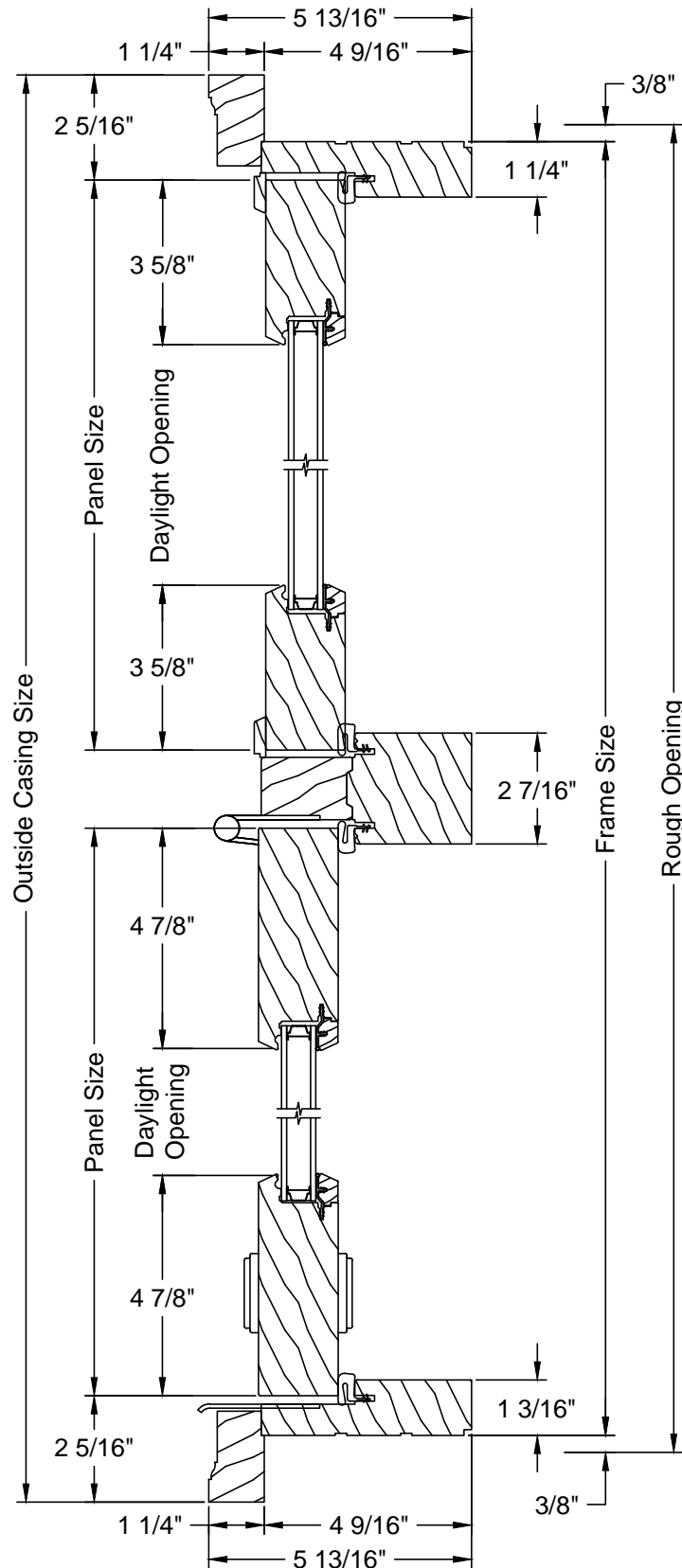


FIXED 2 PANEL WIDE STILE - HORIZONTAL SECTION w/ CENTER HINGED



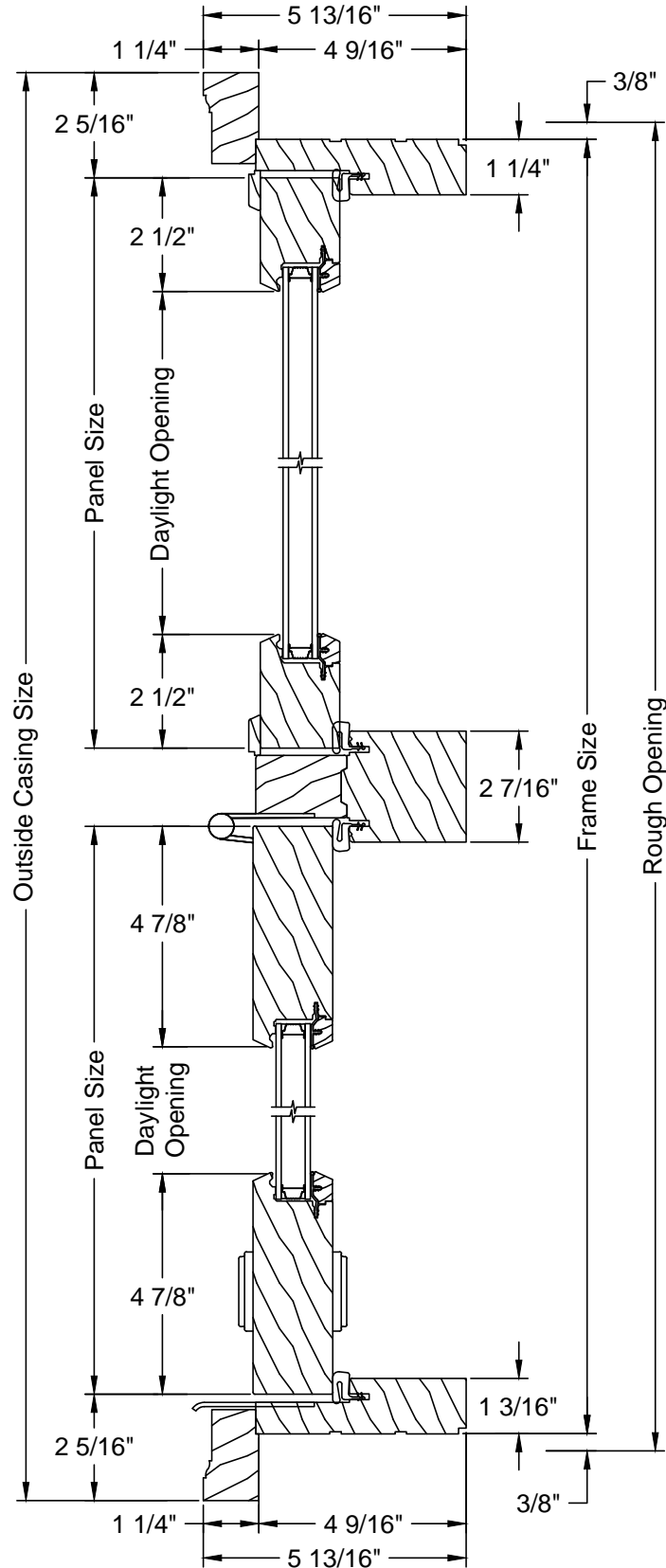


FIXED 2 PANEL NARROW STILE - HORIZONTAL SECTION w/ CENTER HINGED



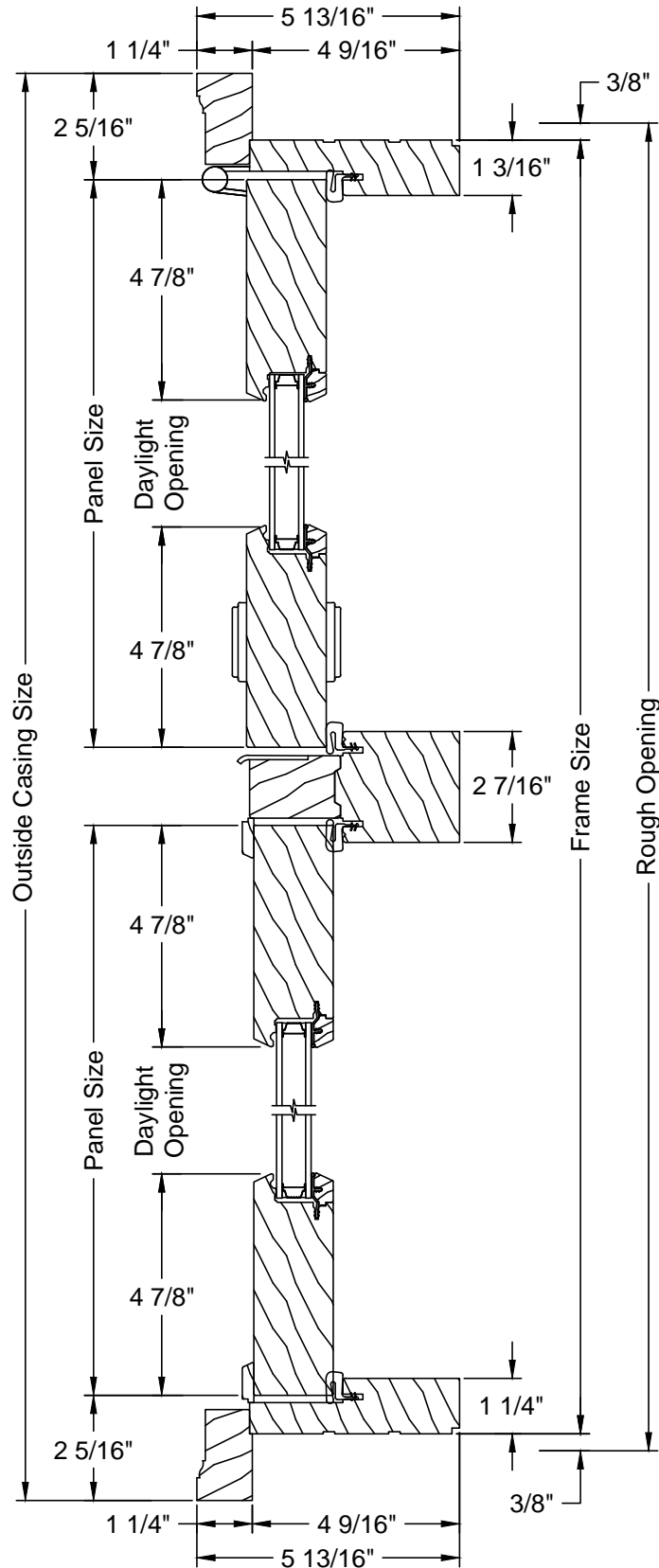


FIXED 2 PANEL SIDELITE STILE - HORIZONTAL SECTION w/ CENTER HINGED



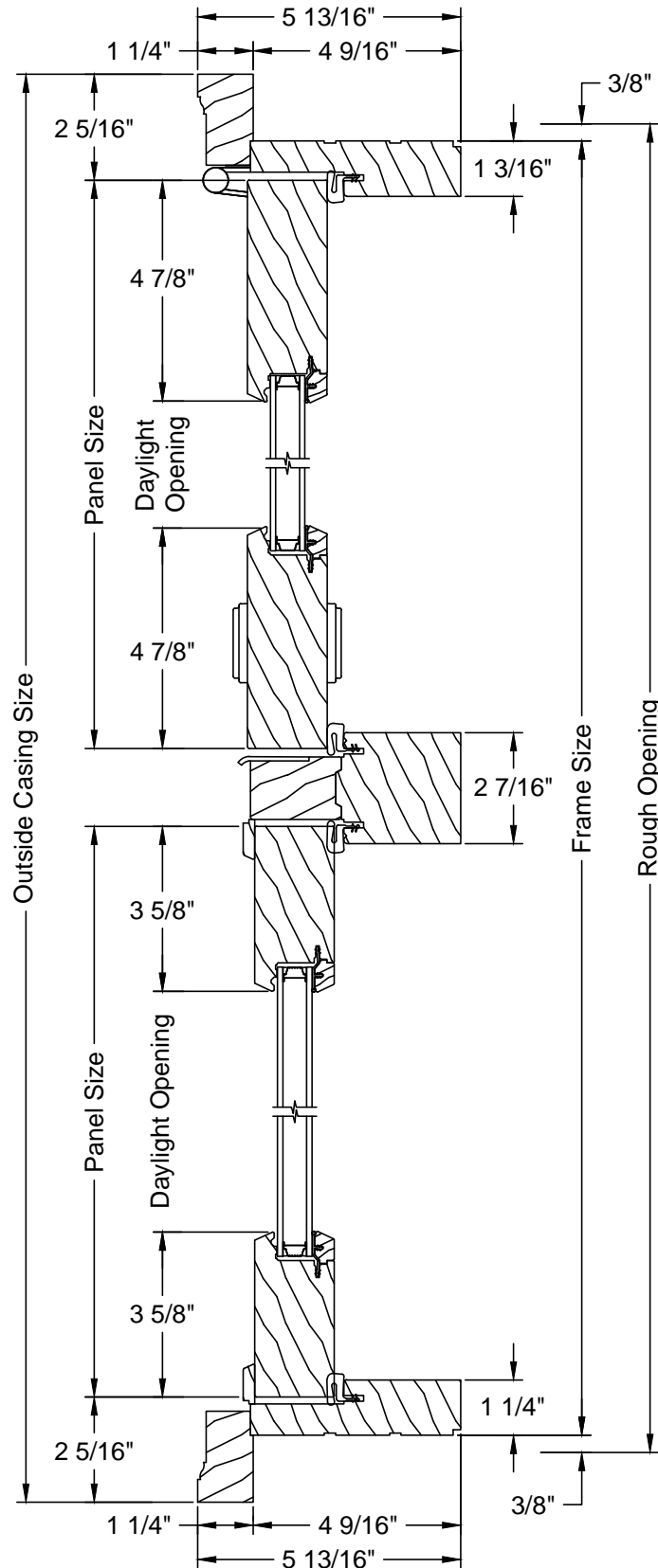


FIXED 2 PANEL WIDE STILE - HORIZONTAL SECTION w/ SIDE HINGED





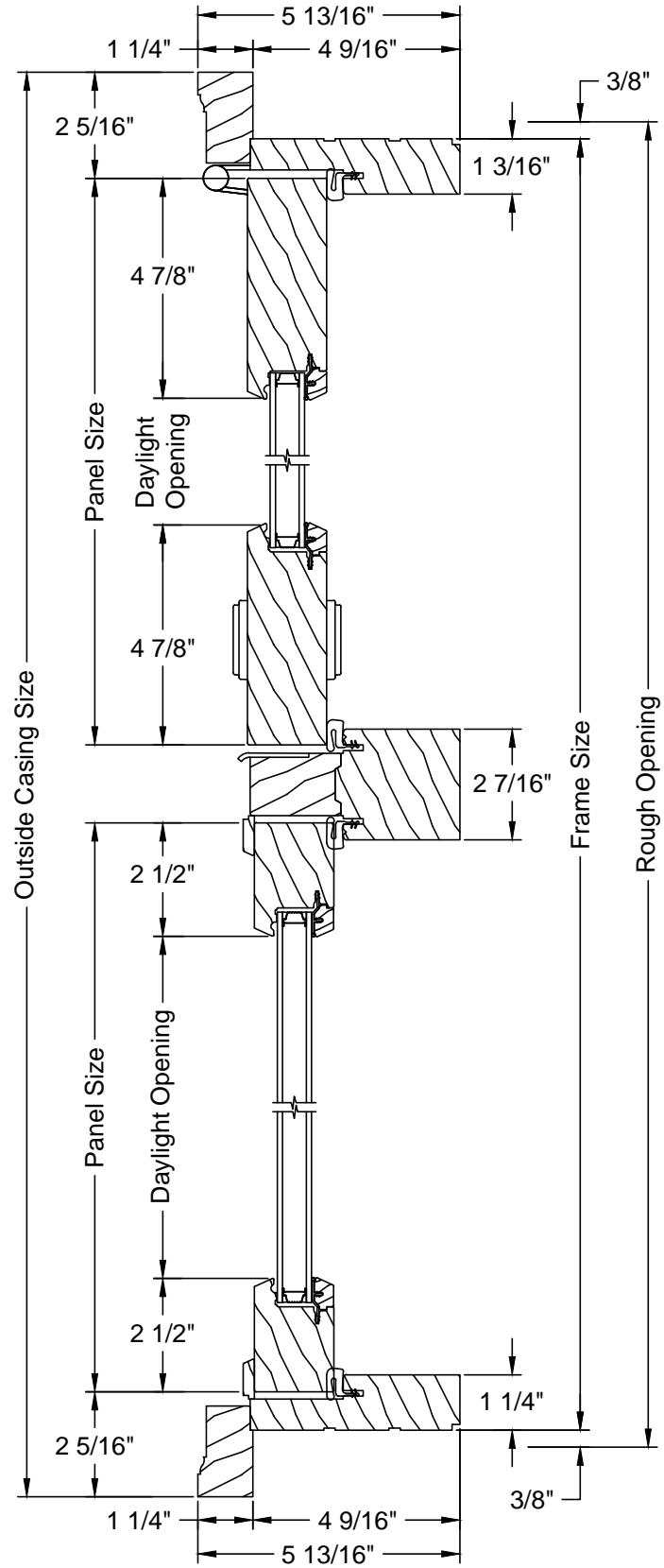
FIXED 2 PANEL NARROW STILE - HORIZONTAL SECTION w/ SIDE HINGED





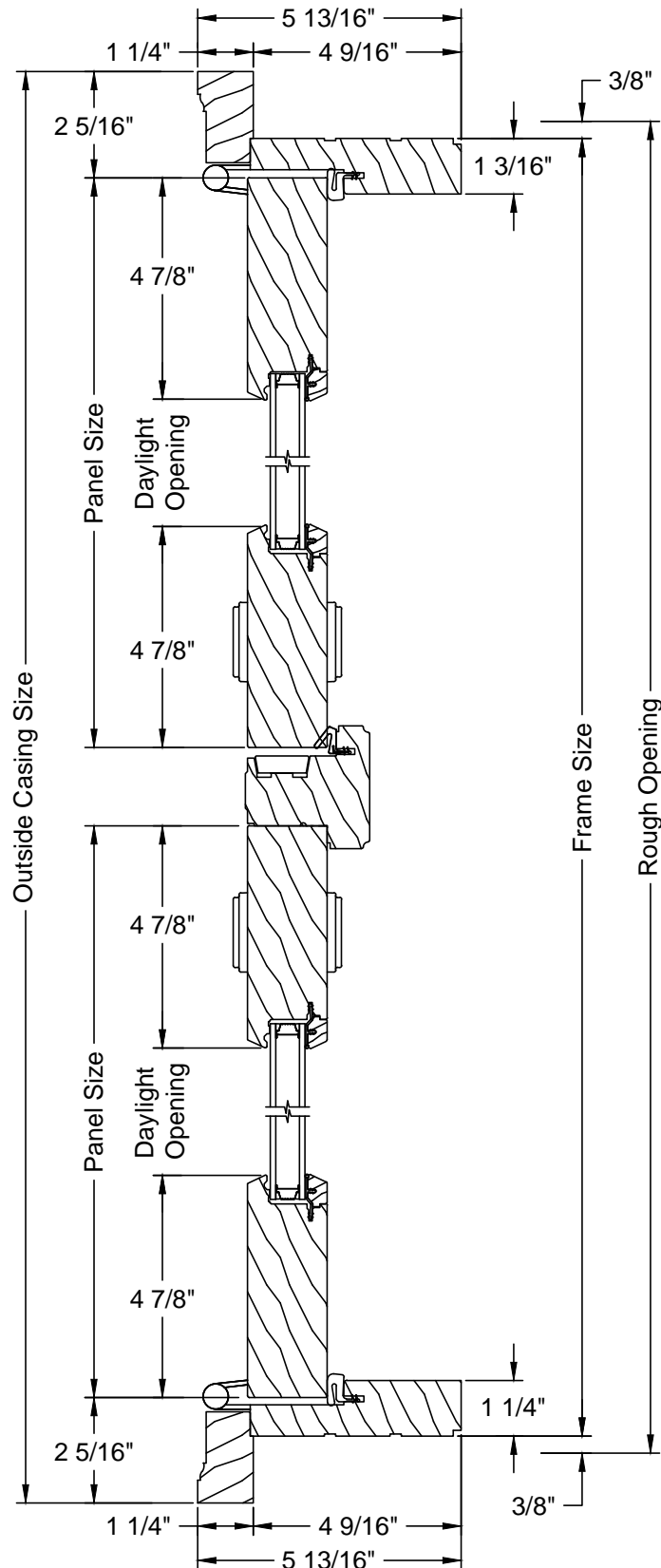


FIXED 2 PANEL SIDELITE STILE - HORIZONTAL SECTION w/ SIDE HINGED



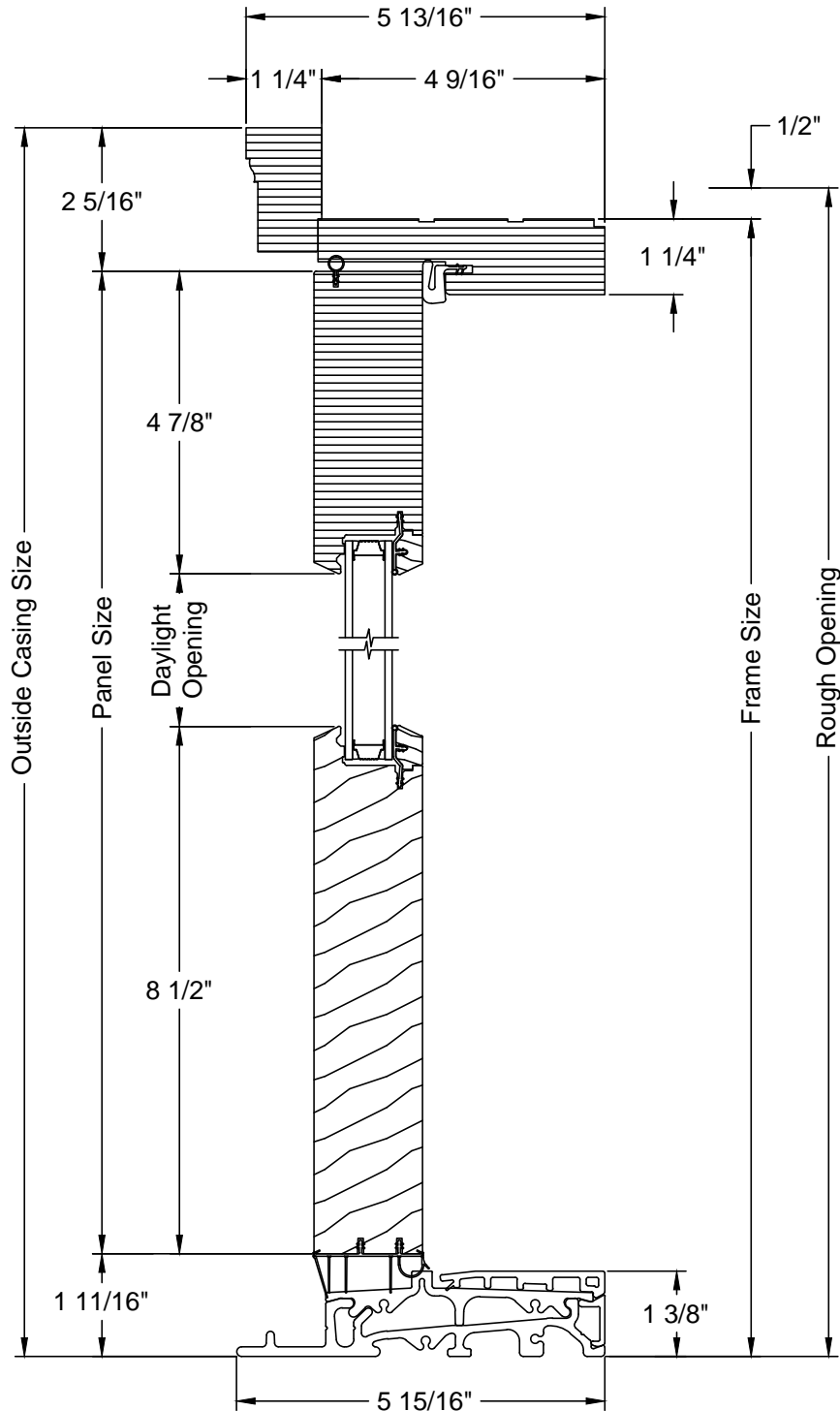


FRENCH - HORIZONTAL SECTION



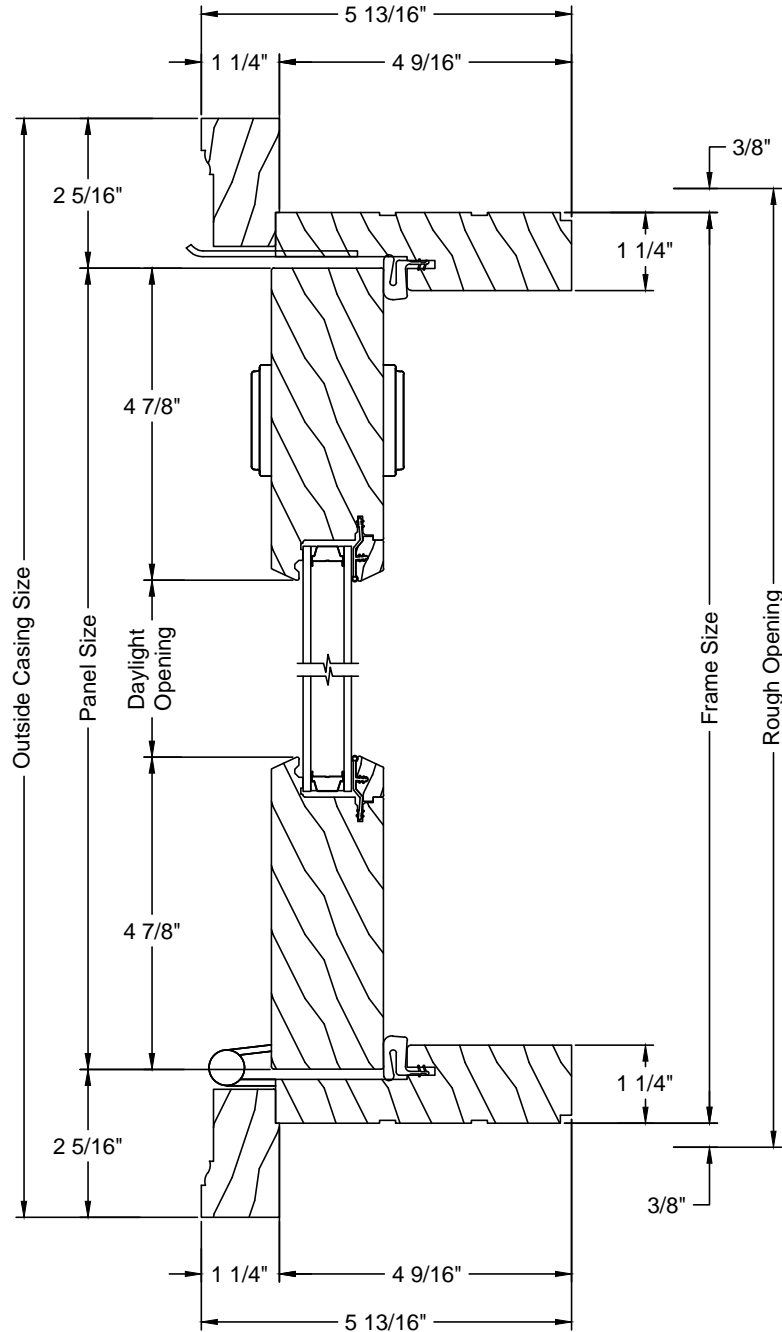


SEGMENT HEAD - VERTICAL SECTION



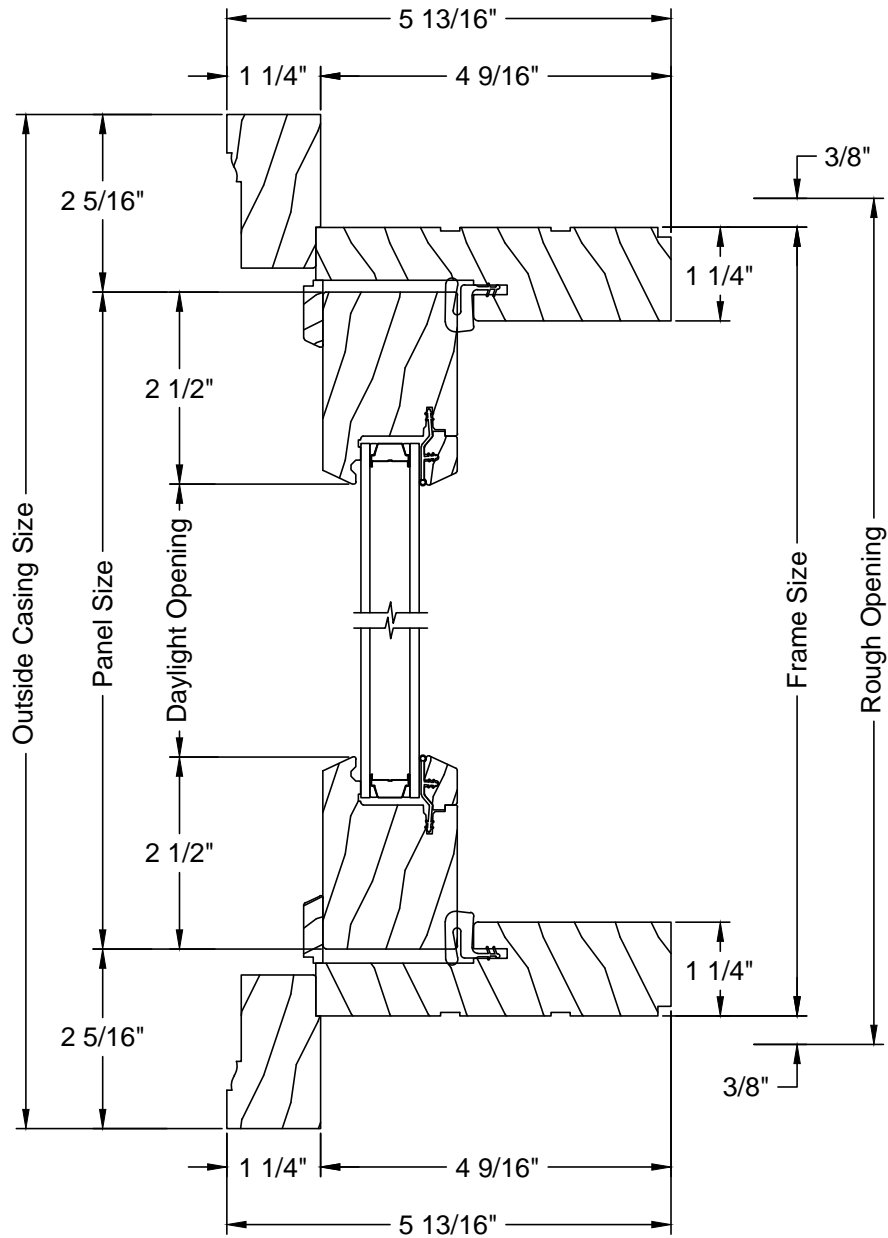


SEGMENT HEAD - HORIZONTAL SECTION



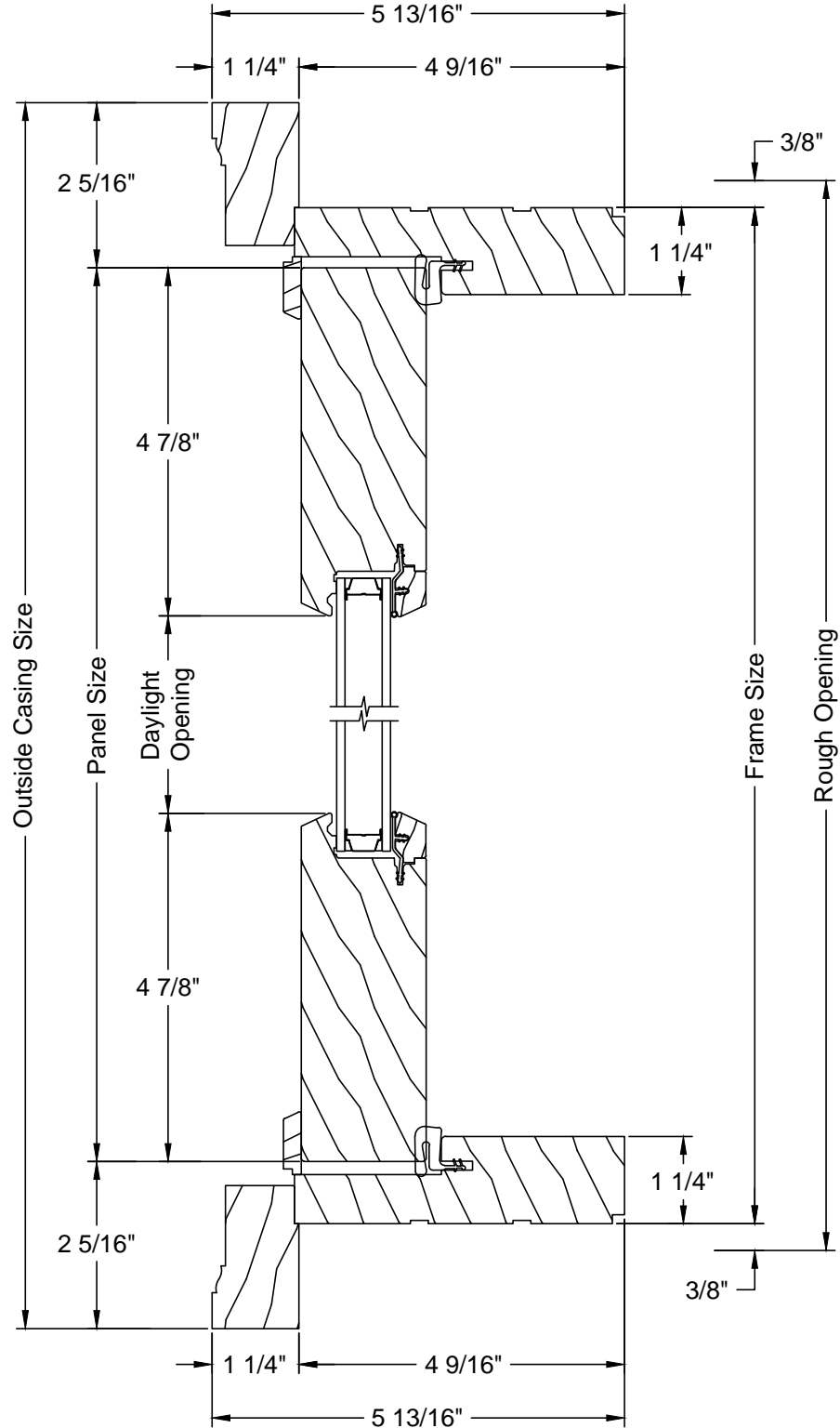


TRANSOM FIXED - VERTICAL SECTION



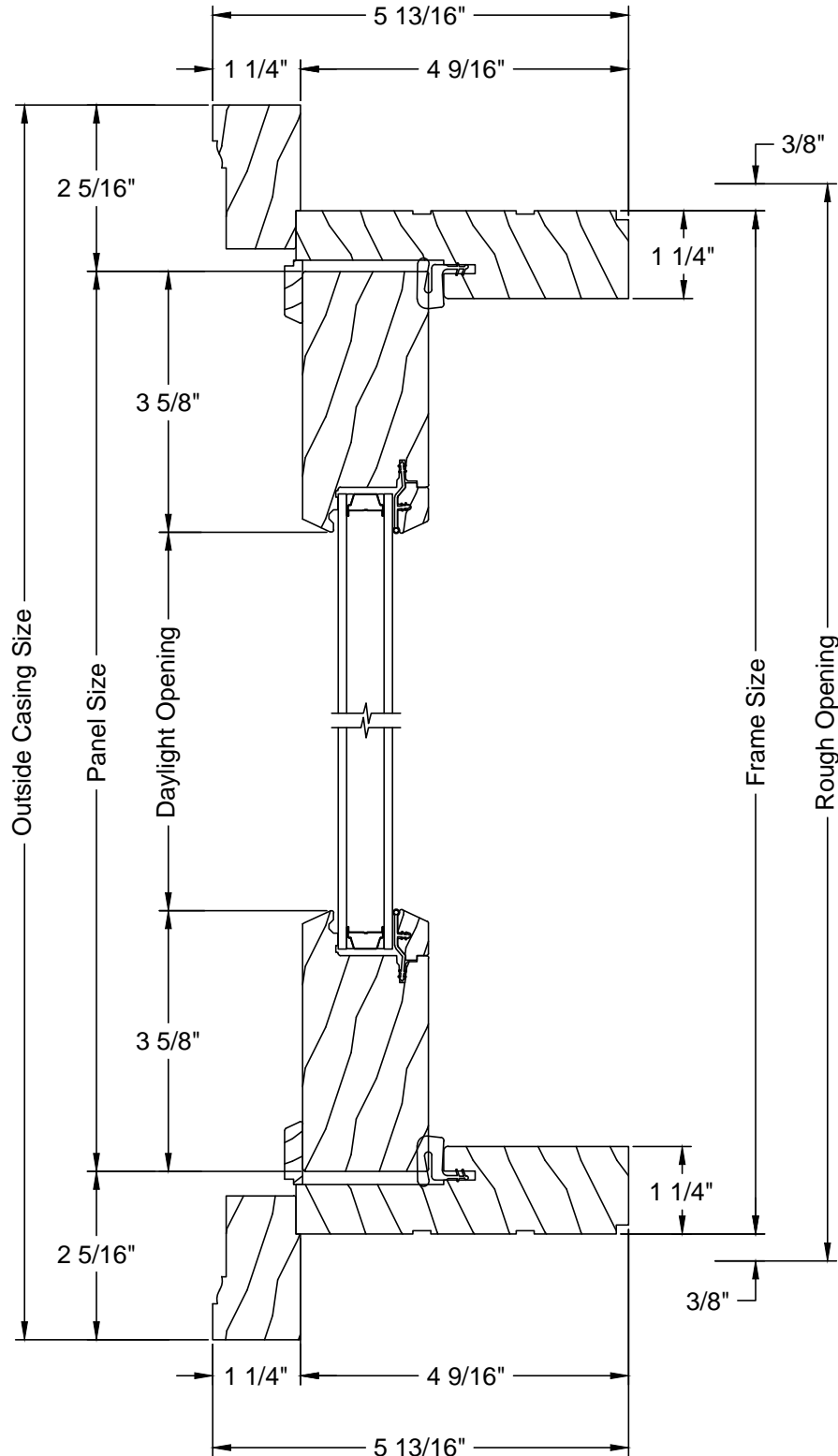


TRANSOM WIDE STILE - HORIZONTAL SECTION



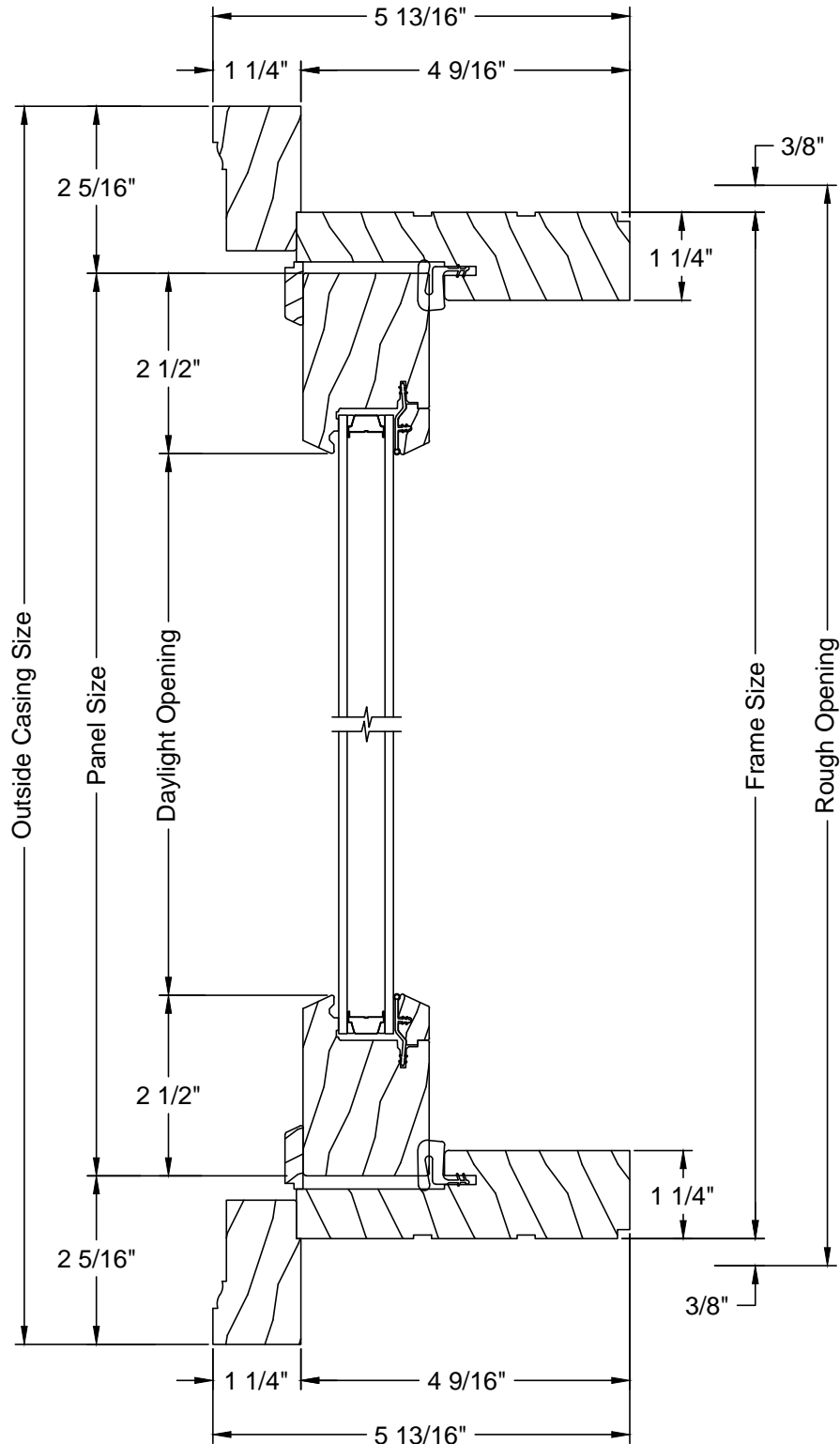


TRANSOM NARROW STILE - HORIZONTAL SECTION





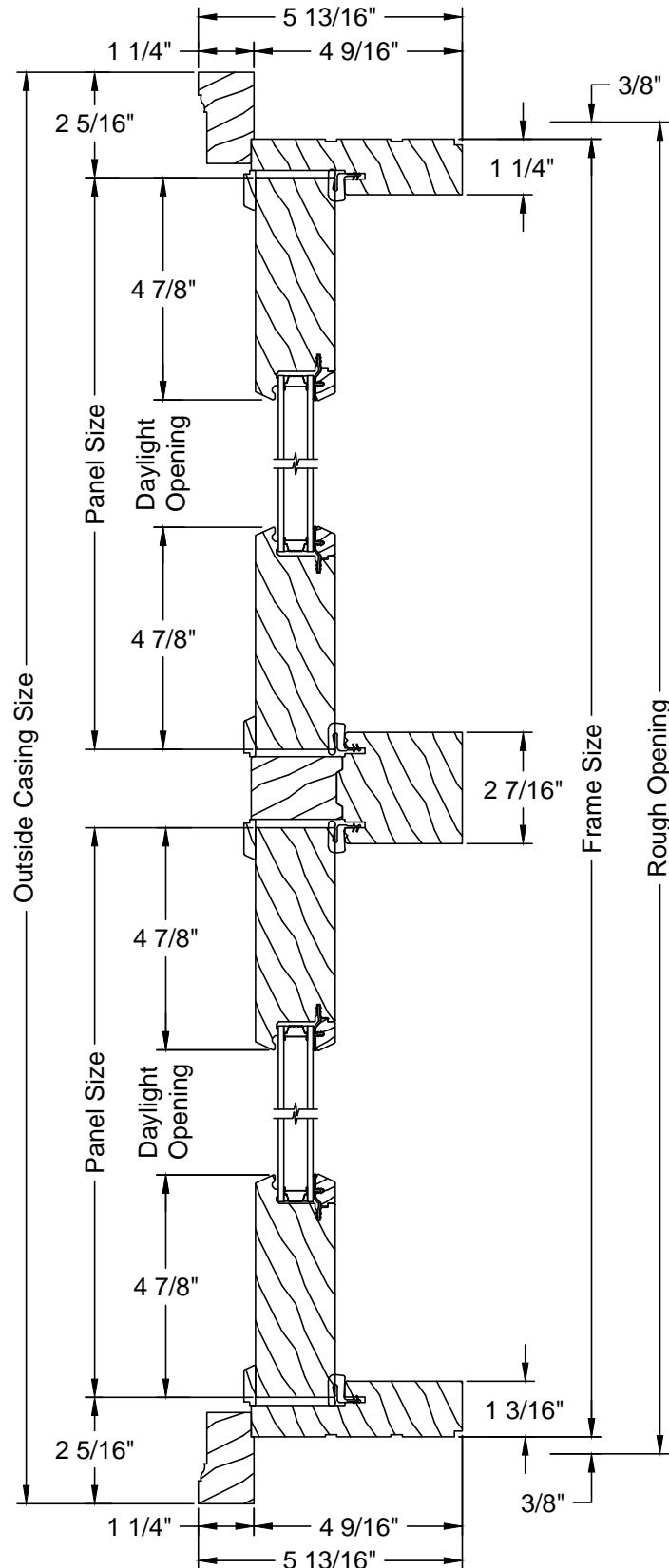
TRANSOM SIDELITE STILE - HORIZONTAL SECTION





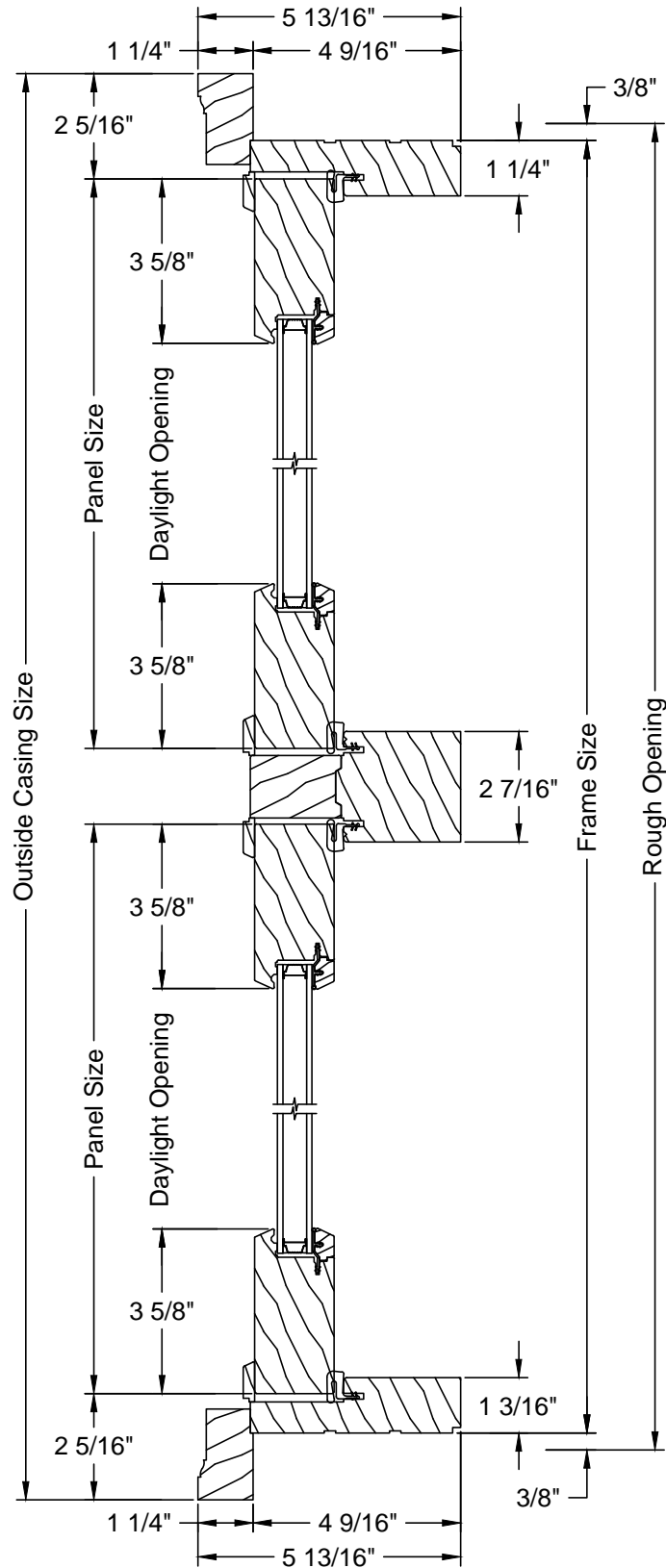


TRANSOM 2 PANEL WIDE STILE - HORIZONTAL SECTION



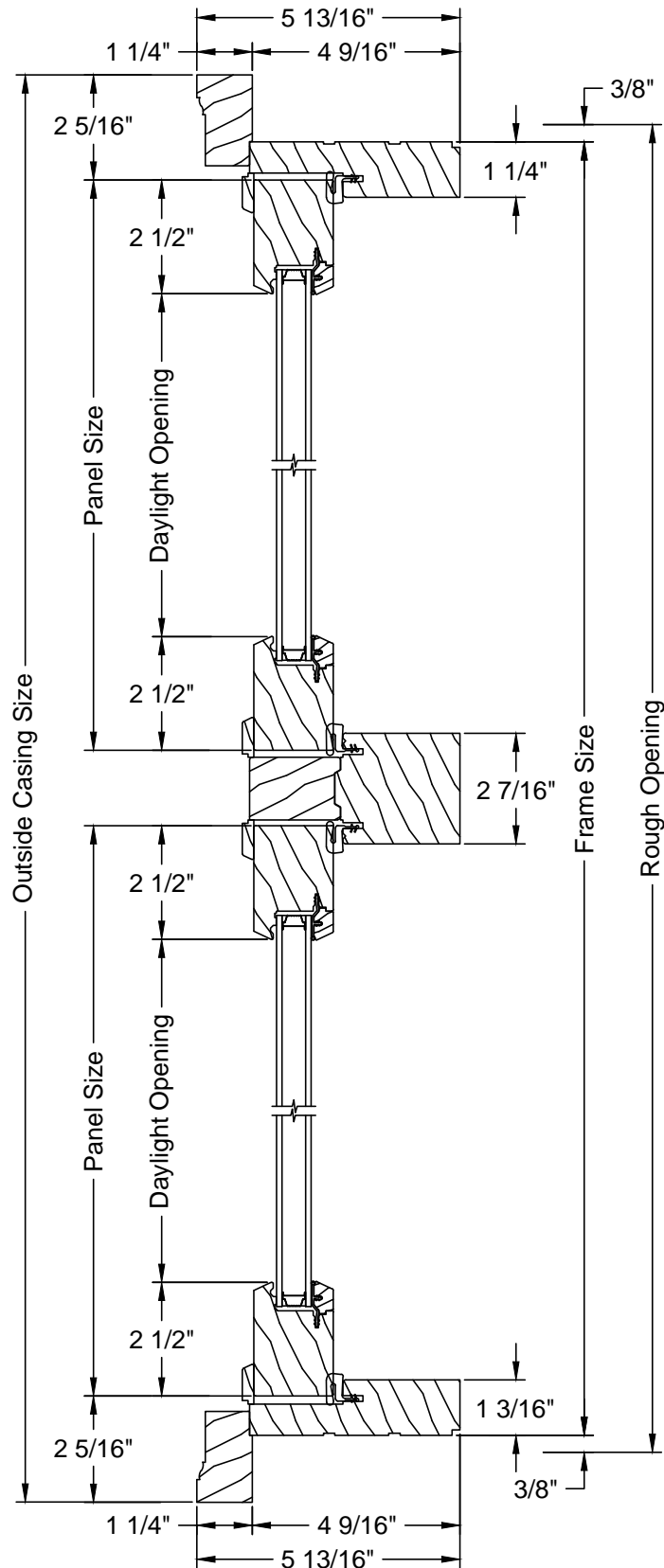


TRANSOM 2 PANEL NARROW STILE - HORIZONTAL SECTION



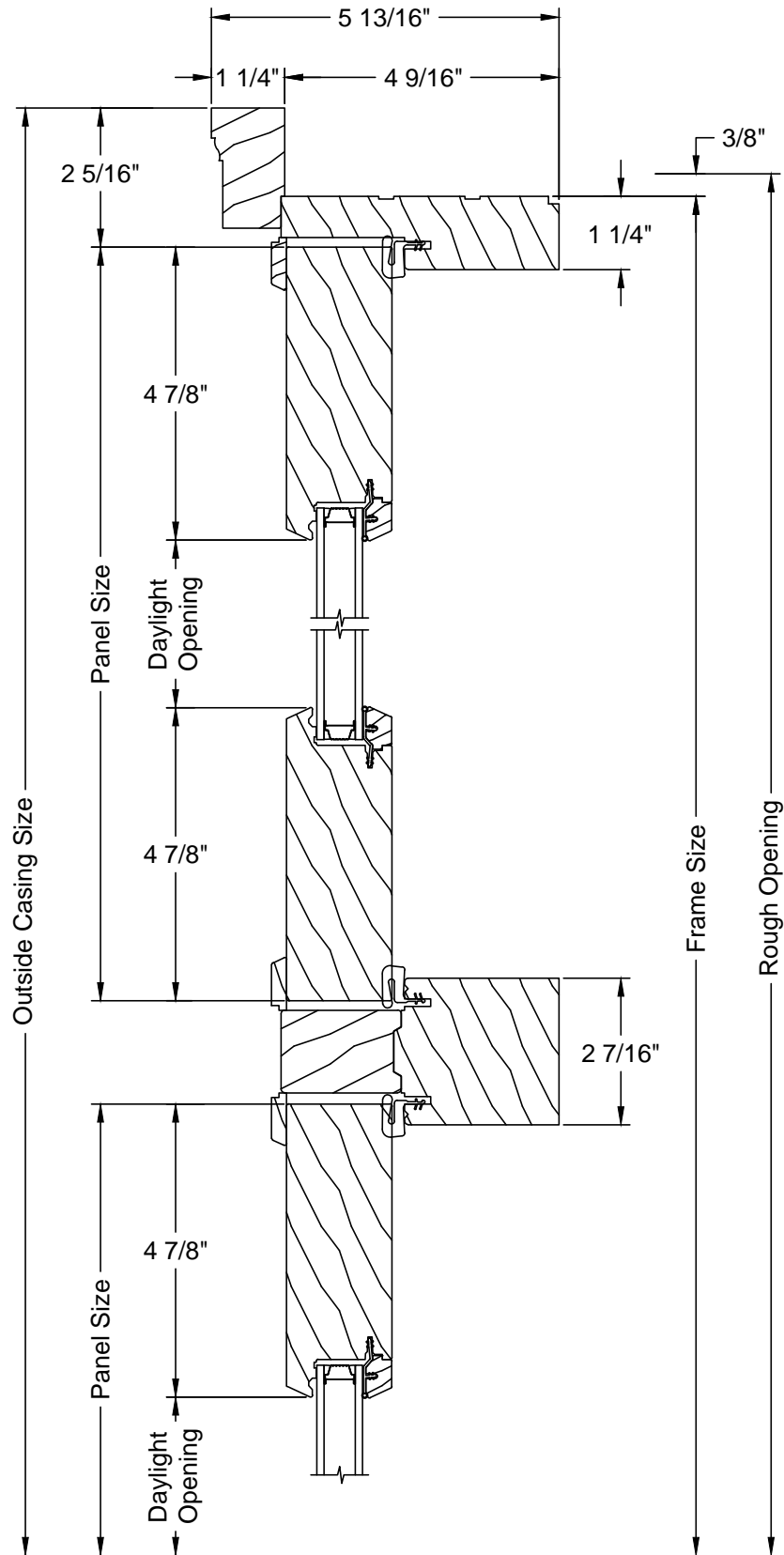


TRANSOM 2 PANEL SIDELITE STILE - HORIZONTAL SECTION



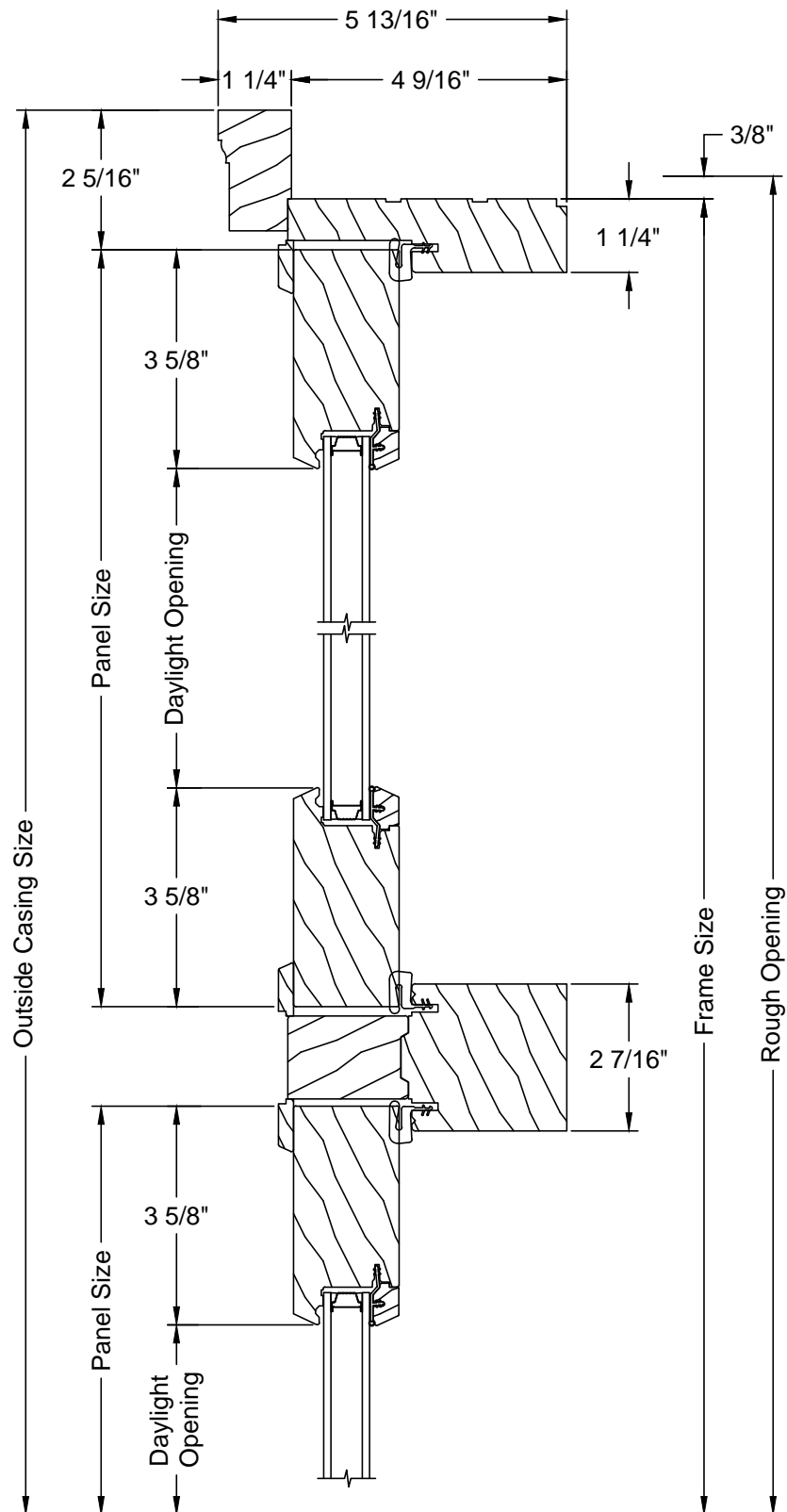


TRANSOM 3 PANEL WIDE STILE - HORIZONTAL SECTION





TRANSOM 3 PANEL NARROW STILE - HORIZONTAL SECTION





TRANSOM 3 PANEL SIDELITE STILE - HORIZONTAL SECTION

