



TABLE OF CONTENTS

Product Information

General Information.....	2
Lite Cut Information.....	3
Unit Sizing.....	5
Clear Opening Information.....	6

Options

Trim Options.....	9
Divided Lite Options.....	10

Sizing Details

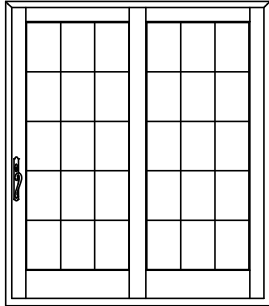
Wide Stile Min-Max Sizing.....	12
Narrow Stile Min-Max Sizing.....	13

Section Details

Wide Stile Vertical Sections:	
2 Panel.....	14
Transom.....	15
Stationary.....	16
Wide Stile Horizontal Sections:	
2 Panel.....	17
Transom.....	18
Stationary.....	19
4 Panel.....	20
4 Panel Transom.....	21
3 Panel.....	22
Narrow Stile Vertical Sections:	
2 Panel.....	23
4 Panel.....	24
Transom.....	25
Narrow Stile Horizontal Sections:	
2 Panel.....	26
4 Panel.....	27
Transom.....	28
Mullion Sections:	
Direct Set 2 Panel.....	29
Transom 2 Panel.....	30
Reinforced Transom 2 Panel.....	31
Stationary 2 Panel.....	32
Stationary.....	33



GENERAL INFORMATION



RIGHT STATIONARY

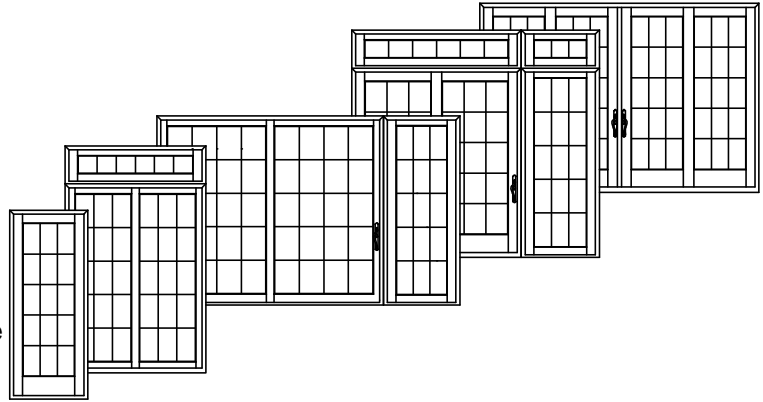
DIMENSIONAL DOORS

Siteline primed sliding patio doors are available in a natural wood exterior as well as a primed exterior. Premium primed sliding patio doors may be specified as "dimensional", by adjusting the desired rough opening width or height in 1/4" increments from standard.

Siteline primed sliding patio doors are available in single, twin, triple and quad panel doors. The standard size range includes sizes specifically designed for replacement of older patio door models in existing structures, as well as a full range of "true size" products for architectural consistency.

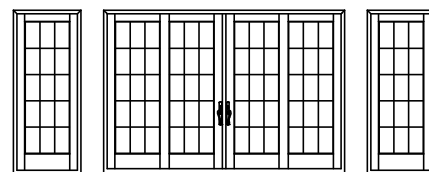
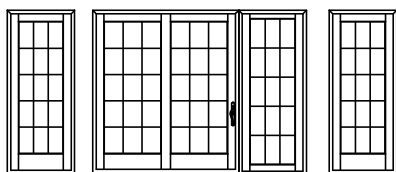
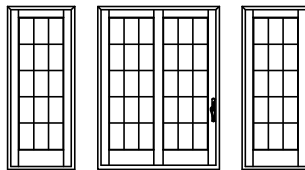
OPERATION

Siteline primed sliding patio doors are available in a full range of operating and stationary styles. Single panel doors are only available as stationary (non-venting) styles. Two-panel doors are available with left or right operation. Three-panel doors are available with left and right operation and with center or end operators. Four-panel doors are available with two panels operating from the center. Configuration and handing is based on viewing the door from the exterior.



MULTIPLE ASSEMBLIES

Siteline primed sliding patio doors are available in a wide variety of multiple panel configurations from the factory, all of which are assembled with continuous sills. Mulling of premium primed sliding patio doors to like products in the field is not recommended. Instead, individual factory assembled units should be installed in contiguous rough openings, in order to provide adequate framing support to assure the best performance of the door systems.



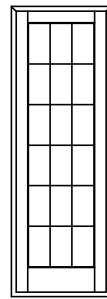


LITE CUT INFORMATION

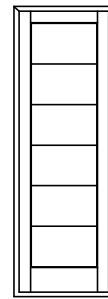
Siteline primed sliding patio doors are available with removable grilles in 7/8", 1-1/8" and 1-3/8" widths, with grilles between the glass (GBG), or with Simulated Divided Lites. Standard lite cuts are rectangular, and conform to the layouts noted in the charts on the next page. To use the chart, refer to the appropriate table by the type of patio door and type of bars or grilles the section drawings illustrate. Then simply cross reference the frame height and width to determine the standard lite cut.

LITE CUT OPTIONS

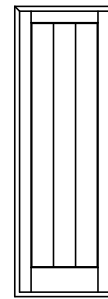
Special lite cut patterns can include a wide variety of straight line and radius patterns. The illustrations shown here represent just a few of the possibilities. Rectangular, horizontal, vertical and Prairie lite patterns are available in all standard size clad gliding patio doors. Uneven, diamond, radius and Gothic lite cuts are available, subject to approval. Approvals are based on the ability to fulfill the design requirement while maintaining the construction integrity of the finished product.



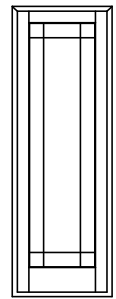
RECTANGULAR



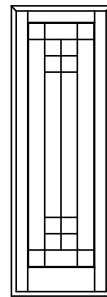
HORIZONTAL



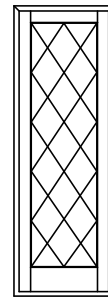
VERTICAL



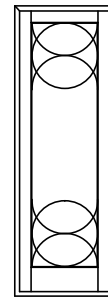
PRAIRIE



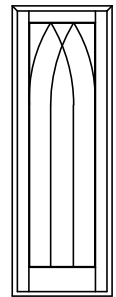
UNEVEN



DIAMOND



RADIUS



GOthic

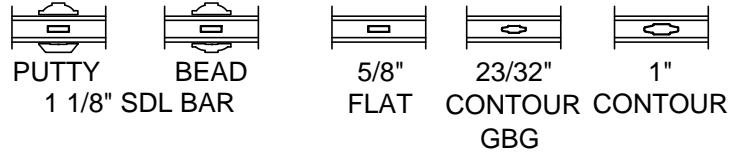
BAR ALIGNMENT

Alignment of divided lite muntin bars from one product to the next is often required by fine architectural design. Wood grilles, GBG's, and Simulated Divided Lites may be specified with muntin bars aligned.



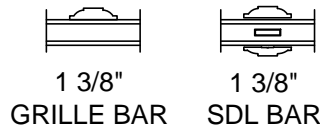


STANDARD LITE CUT TABLES



Height Callout	TWSLDW	Width Callout		
		2-9	3-3	4-3
	6-8	3W 5H	3W 5H	4W 5H
	6-10	3W 5H	3W 5H	4W 5H
	6-11	3W 5H	3W 5H	4W 5H
	8-0	3W 6H	3W 6H	4W 6H

Height Callout	TWSLDN	Width Callout		
		2-9	3-3	4-3
	6-8	3W 5H	3W 5H	4W 5H
	6-10	3W 5H	3W 5H	4W 5H
	6-11	3W 5H	3W 5H	4W 5H
	8-0	3W 6H	3W 6H	4W 6H



Height Callout	TWSLDW	Width Callout		
		2-9	3-3	4-3
	6-8	3W 5H	3W 5H	4W 5H
	6-10	3W 5H	3W 5H	4W 5H
	6-11	3W 5H	3W 5H	4W 5H
	8-0	3W 6H	3W 6H	4W 6H

Height Callout	TWSLDN	Width Callout		
		2-9	3-3	4-3
	6-8	3W 5H	3W 5H	4W 5H
	6-10	3W 5H	3W 5H	4W 5H
	6-11	3W 5H	3W 5H	4W 5H
	8-0	3W 6H	3W 6H	4W 6H



UNIT SIZING

General Notes:

Unit size is always the maximum size of the window with or without trim and does not include nail fin.

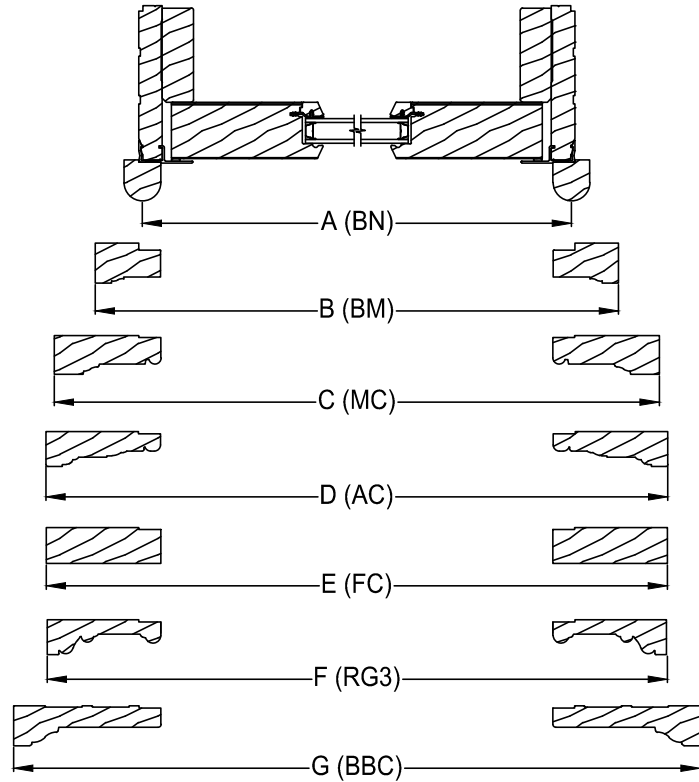
Masonry Opening:

Masonry opening is always 1/2" over (height and width) the unit size or the outside of the trim of the window.

Rough Opening:

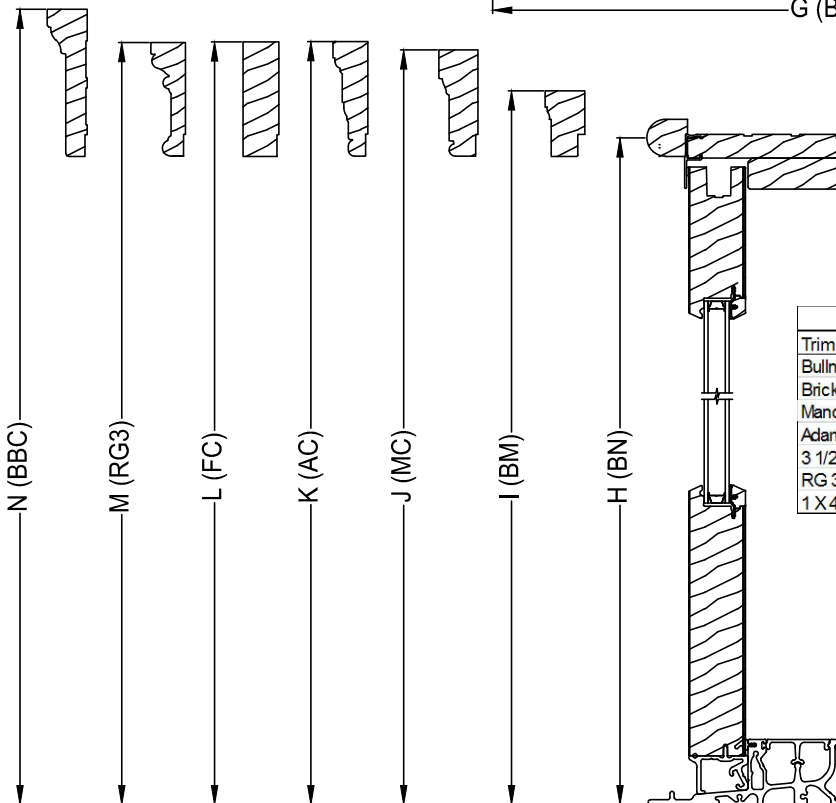
Rough opening is always 3/4" over frame size of the window.

Horizontal exterior trim offerings below are the same with or without sill nose.



Horizontal Sections		
Trim Option	Dimension	Frame +
Bullnose (BN)	A	7/8"
Brickmould (BM)	B	2-5/8"
Manchester (MC)	C	5-1/8"
Adams Casing (AC)	D	5-5/8"
3 1/2" Flat Casing (FC)	E	5-5/8"
RG 3 Casing (RG3)	F	5-5/8"
1 X 4 Back Band (BBC)	G	7-5/8"

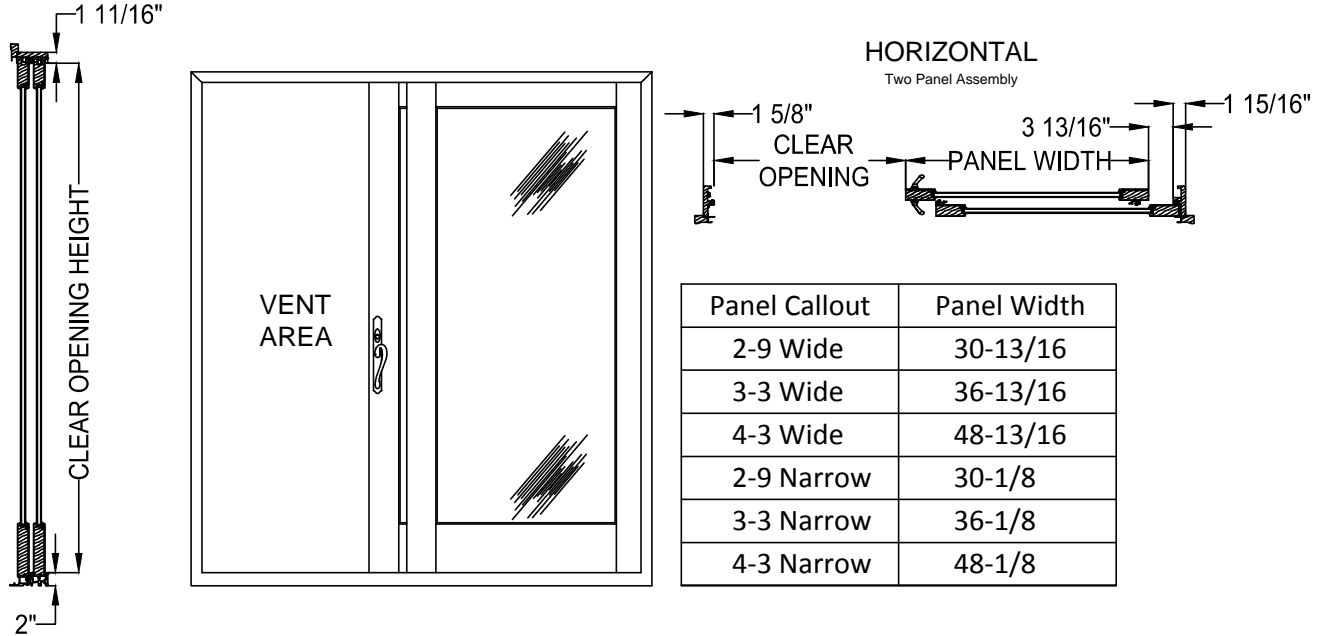
Vertical exterior trim offerings with standard rail. Trim on 3 sides.



Vertical Sections (w/ Rail)		
Trim Option	Dimension	Frame +
Bullnose (BN)	H	7/16"
Brickmould (BM)	I	1-5/16"
Manchester (MC)	J	2-9/16"
Adams Casing (AC)	K	2-13/16"
3 1/2" Flat Casing (FC)	L	2-13/16"
RG 3 Casing (RG3)	M	2-13/16"
1 X 4 Back Band (BBC)	N	3-13/16"



CLEAR OPENING LAYOUT



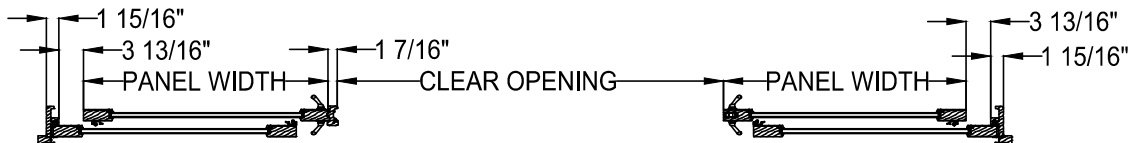
Panel Callout	Panel Width
2-9 Wide	30-13/16
3-3 Wide	36-13/16
4-3 Wide	48-13/16
2-9 Narrow	30-1/8
3-3 Narrow	36-1/8
4-3 Narrow	48-1/8

Custom Formulas for Clear Opening (Narrow Stile)

Width Formula: $\text{Frame Width}/2 - 7.625" = \text{Clear Opening Width (with bumper)}$
 Width Formula: $\text{Frame Width}/2 - 6.375" = \text{Clear Opening Width (without bumper)}$
 Height Formula: $\text{Frame Height} - 3.656" = \text{Clear Opening Height}$

Custom Formulas for Clear Opening (Wide Stile)

Width Formula: $\text{Frame Width}/2 - 8.312" = \text{Clear Opening Width (with bumper)}$
 Width Formula: $\text{Frame Width}/2 - 7.063" = \text{Clear Opening Width (without bumper)}$
 Height Formula: $\text{Frame Height} - 3.656" = \text{Clear Opening Height}$



HORIZONTAL
Four Panel Assembly

Custom Formulas for Clear Opening of Active Panel Only

Width Formula: $\text{Frame Width}/4 - 7.718" = \text{Clear Opening Width (with bumper)}$
 Width Formula: $\text{Frame Width}/4 - 6.469" = \text{Clear Opening Width (without bumper)}$
 Height Formula: $\text{Frame Height} - 3.656" = \text{Clear Opening Height}$

Custom Formulas for Clear Opening with Both Panels Open

Width Formula: $\text{Frame Width}/2 - 15.125" = \text{Clear Opening Width (with bumper)}$
 Width Formula: $\text{Frame Width}/2 - 12.625" = \text{Clear Opening Width (without bumper)}$
 Height Formula: $\text{Frame Height} - 3.656" = \text{Clear Opening Height}$



CLEAR OPENING/DESIGN DATA TABLE

Unit Number	Frame Width	Frame Height	Square Feet of Clear Opening	Clear Opening Width Inches	Clear Opening Height Inches	Square Feet of Daylight Opening Per Panel
Wide Style Single Panel Basic Units						
Single Panel Units						
TWSLDW2968	32.81	79.5	N/A	N/A	N/A	11.43
TWSLDW3368	38.81	79.5	N/A	N/A	N/A	12.25
TWSLDW4368	50.81	79.5	N/A	N/A	N/A	17.60
TWSLDW29610	32.81	82	N/A	N/A	N/A	9.96
TWSLDW33610	38.81	82	N/A	N/A	N/A	12.73
TWSLDW43610	50.81	82	N/A	N/A	N/A	18.28
TWSLDW29611	32.81	82.5	N/A	N/A	N/A	10.04
TWSLDW33611	38.81	82.5	N/A	N/A	N/A	12.83
TWSLDW43611	50.81	82.5	N/A	N/A	N/A	18.43
TWSLDW2980	32.81	95.5	N/A	N/A	N/A	11.98
TWSLDW3380	38.81	95.5	N/A	N/A	N/A	15.31
TWSLDW4380	50.81	95.5	N/A	N/A	N/A	21.99
Wide Style Multiple Panel Basic Units						
Two Panel Units						
TWSLDW5068	59.25	79.5	14.87	28.44	75.31	9.58
TWSLDW6068	71.25	79.5	18.01	34.44	75.31	12.25
TWSLDW8068	95.25	79.5	24.29	46.44	75.31	17.60
TWSLDW50610	59.25	82	15.37	28.44	77.81	9.96
TWSLDW60610	71.25	82	18.58	34.44	77.81	12.73
TWSLDW80610	95.25	82	25.09	46.44	77.81	18.28
TWSLDW50611	59.25	82.5	15.46	28.44	78.31	10.04
TWSLDW60611	71.25	82.5	18.69	34.44	78.31	12.83
TWSLDW80611	95.25	82.5	25.25	46.44	78.31	18.43
TWSLDW5080	59.25	95.5	18.03	28.44	91.31	11.98
TWSLDW6080	71.25	95.5	21.84	34.44	91.31	15.31
TWSLDW8080	95.25	95.5	29.45	46.44	91.31	21.99
Quad Units						
TWSLDW10068	117.38	79.5	34.26	65.5	75.31	10.95
TWSLDW12068	141.38	79.5	40.53	77.5	75.31	13.79
TWSLDW16068	189.38	79.5	53.08	101.5	75.31	19.45
TWSLDW100610	117.38	82	35.39	65.5	77.81	11.60
TWSLDW120610	141.38	82	41.88	77.5	77.81	14.60
TWSLDW160610	189.38	82	54.85	101.5	77.81	20.59
TWSLDW100611	117.38	82.5	35.62	65.5	78.31	13.53
TWSLDW120611	141.38	82.5	42.15	77.5	78.31	17.03
TWSLDW160611	189.38	82.5	55.20	101.5	78.31	24.03
TWSLDW10068	117.38	95.5	41.53	65.5	91.31	24.03
TWSLDW12068	141.38	95.5	49.14	77.5	91.31	24.03
TWSLDW16068	189.38	95.5	64.36	101.5	91.31	24.03

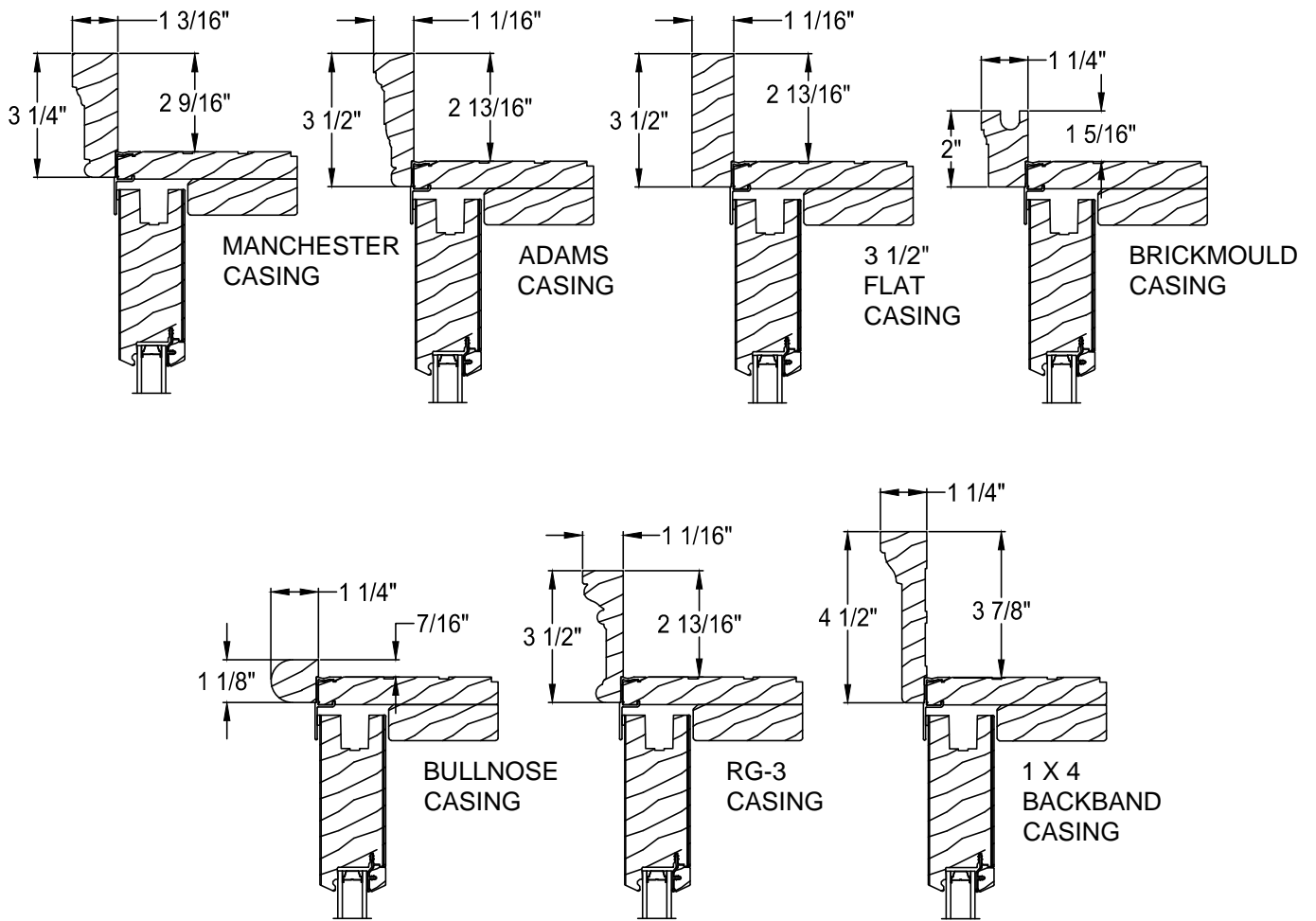


CLEAR OPENING/DESIGN DATA TABLE

Unit Number	Frame Width	Frame Height	Square Feet of Clear Opening	Clear Opening Width Inches	Clear Opening Height Inches	Square Feet of Daylight Opening Per Panel
Narrow Style Single Panel Basic Units						
Single Panel Units						
TWSLDN2968	32.13	79.5	N/A	N/A	N/A	11.40
TWSLDN3368	38.13	79.5	N/A	N/A	N/A	14.36
TWSLDN4368	50.13	79.5	N/A	N/A	N/A	20.22
TWSLDN29610	32.13	82	N/A	N/A	N/A	11.84
TWSLDN33610	38.13	82	N/A	N/A	N/A	14.87
TWSLDN43610	50.13	82	N/A	N/A	N/A	20.94
TWSLDN29611	32.13	82.5	N/A	N/A	N/A	11.91
TWSLDN33611	38.13	82.5	N/A	N/A	N/A	14.96
TWSLDN43611	50.13	82.5	N/A	N/A	N/A	21.07
TWSLDN2980	32.13	95.5	N/A	N/A	N/A	14.03
TWSLDN3380	38.13	95.5	N/A	N/A	N/A	17.63
TWSLDN4380	50.13	95.5	N/A	N/A	N/A	24.82
Narrow Style Multiple Panel Basic Units						
Two Panel Units						
TWSLDN5068	59.25	79.5	10.92	20.88	75.31	11.40
TWSLDN6068	71.25	79.5	14.06	26.88	75.31	14.36
TWSLDN8068	95.25	79.5	20.33	38.88	75.31	20.22
TWSLDN50610	59.25	82	11.28	20.88	77.81	11.84
TWSLDN60610	71.25	82	14.52	26.88	77.81	14.87
TWSLDN80610	95.25	82	21.01	38.88	77.81	20.94
TWSLDN50611	59.25	82.5	11.35	20.88	78.31	11.91
TWSLDN60611	71.25	82.5	14.62	26.88	78.31	14.96
TWSLDN80611	95.25	82.5	21.14	38.88	78.31	21.07
TWSLDN5080	59.25	95.5	13.24	20.88	91.31	14.03
TWSLDN6080	71.25	95.5	17.04	26.88	91.31	17.63
TWSLDN8080	95.25	95.5	24.65	38.88	91.31	24.82

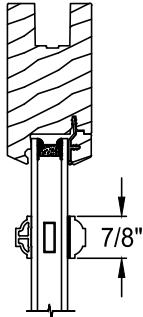


TRIM OPTIONS

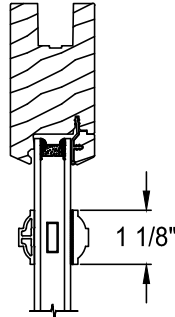




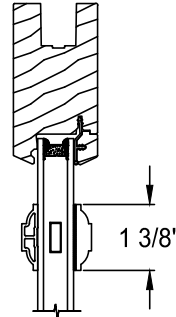
DIVIDED LITE OPTIONS



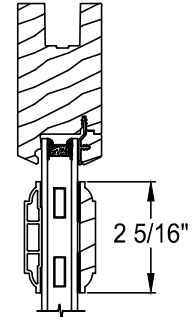
7/8" BEAD SDL
W/ LIGHT BRONZE OR
SILVER SHADOW BAR



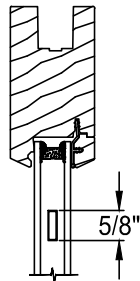
1 1/8" BEAD SDL
W/ LIGHT BRONZE
OR SILVER SHADOW
BAR



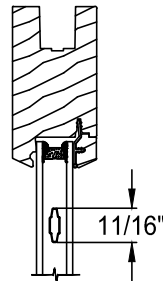
1 3/8" BEAD SDL
W/ LIGHT BRONZE OR
SILVER SHADOW BAR



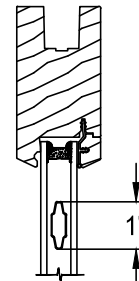
2 5/16" BEAD SDL
W/ LIGHT BRONZE OR
SILVER SHADOW BAR



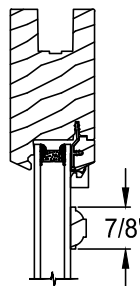
5/8" GBG



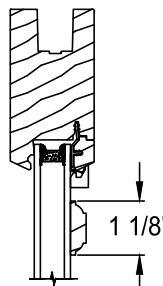
23/32"
CONTOUR
GBG



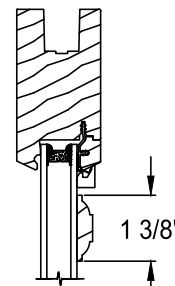
1" CONTOUR
GBG



FULL
SURROUND
7/8" WOOD
GRILLE



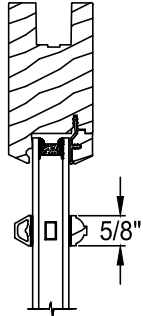
FULL
SURROUND
1 1/8" WOOD
GRILLE



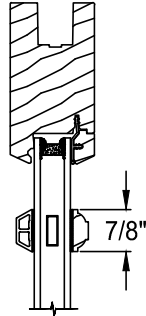
FULL
SURROUND
1 3/8" WOOD
GRILLE



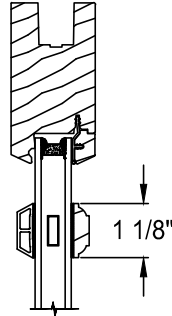
DIVIDED LITE OPTIONS



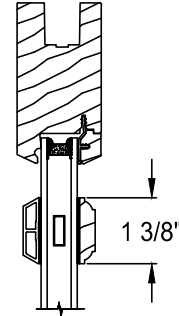
5/8" PUTTY SDL
TRADITIONAL
PUTTY



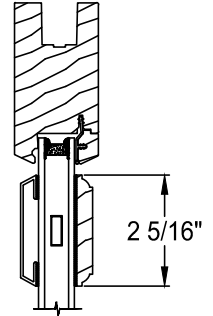
7/8" PUTTY SDL
TRADITIONAL
PUTTY



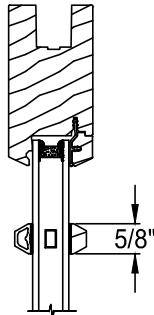
1 1/8" PUTTY SDL
TRADITIONAL
PUTTY



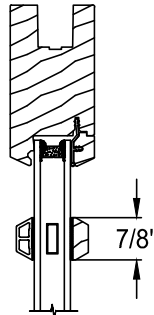
1 3/8" PUTTY SDL
TRADITIONAL
PUTTY



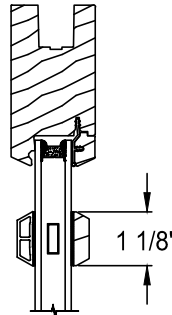
2 5/16" PUTTY SDL
TRADITIONAL
PUTTY



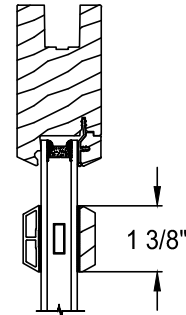
5/8" PUTTY SDL
PUTTY/PUTTY



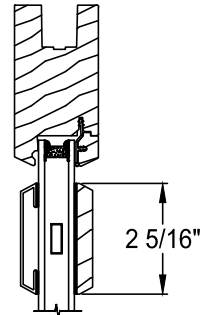
7/8" PUTTY SDL
PUTTY/PUTTY



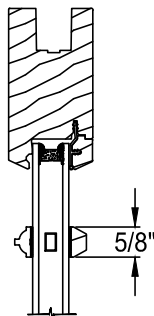
1 1/8" PUTTY SDL
PUTTY/PUTTY



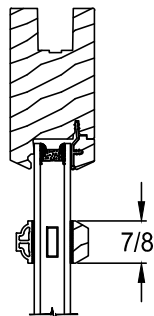
1 3/8" PUTTY SDL
PUTTY/PUTTY



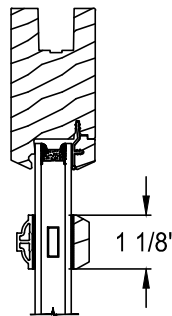
2 5/16" PUTTY SDL
PUTTY/PUTTY



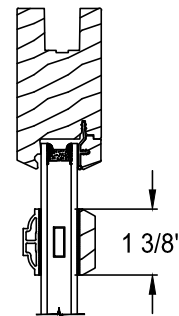
5/8"
BEAD / PUTTY



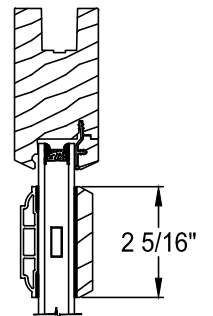
7/8"
BEAD / PUTTY



1 1/8"
BEAD / PUTTY



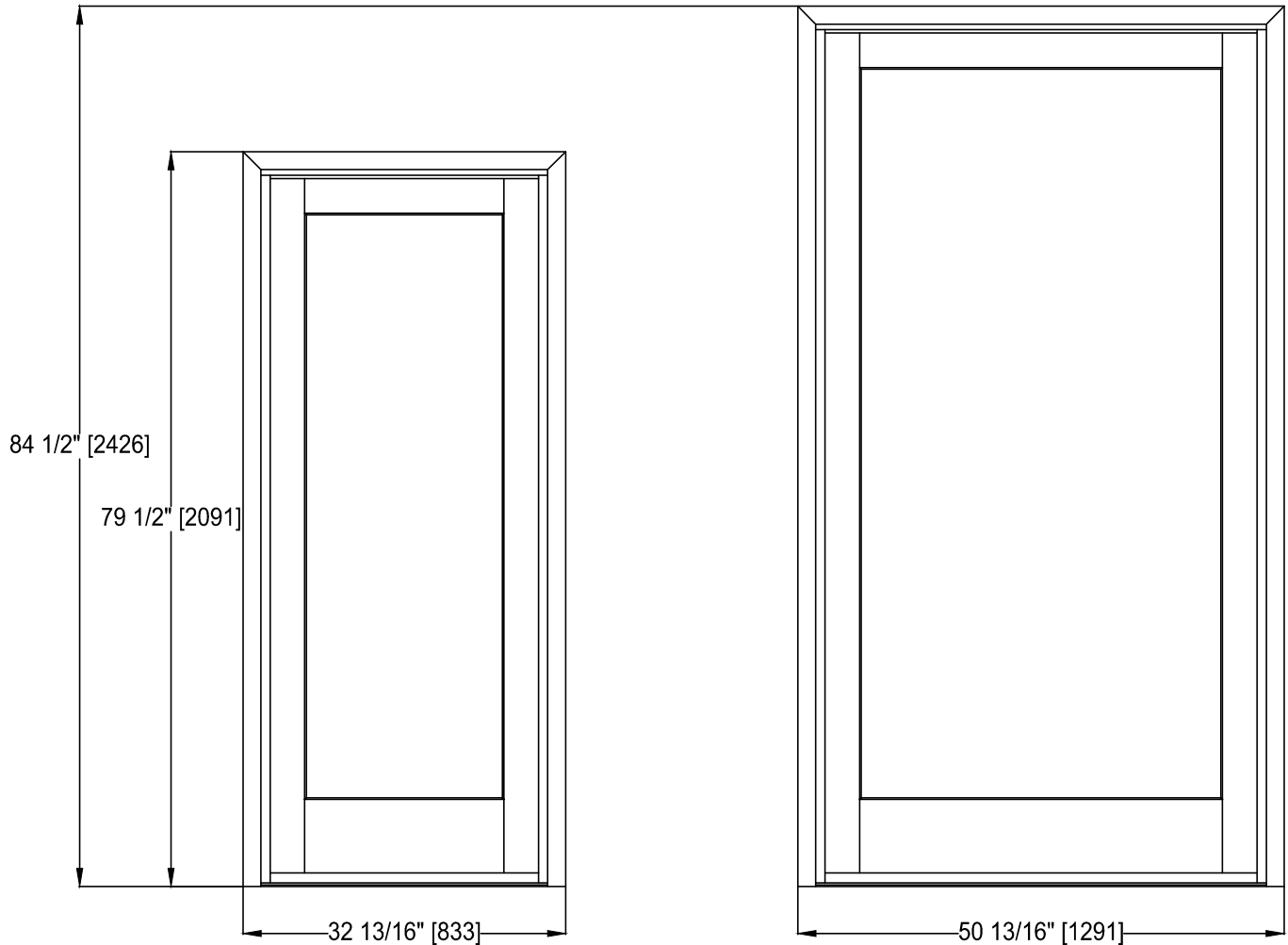
1 3/8"
BEAD / PUTTY



2 5/16"
BEAD / PUTTY



WIDE STILE MIN-MAX SIZING

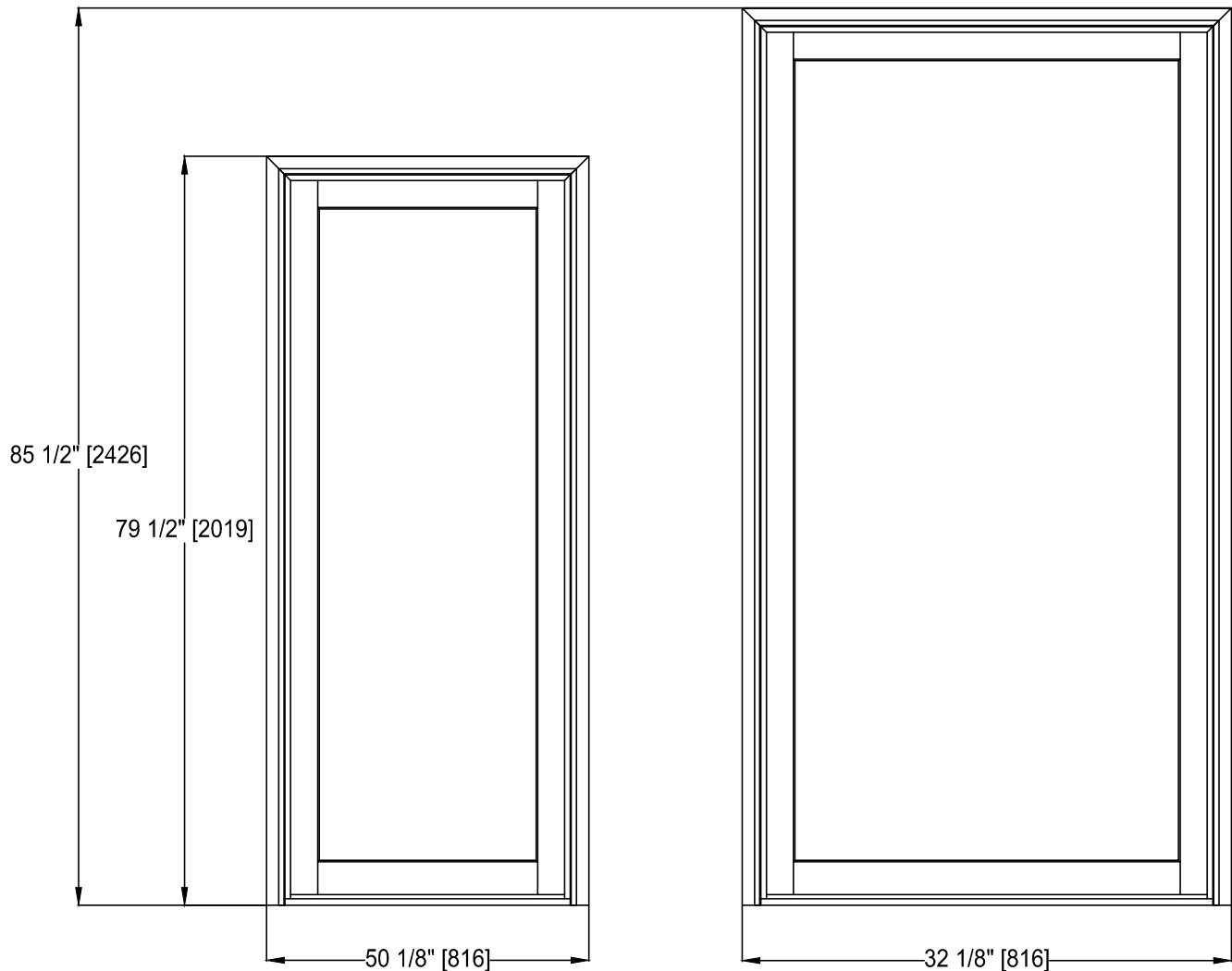


Standard widths for the Single Panel Wide Stile Sitrine Sliding Patio Door:
32 13/16"(833mm), 38 13/16"(986mm), 50 13/16"(1291mm).

Standard heights for the Single Panel Wide Stile Sitrine Sliding Patio Door:
79 1/2"(2019mm), 82"(2083mm), 85 1/2"(2426mm).



NARROW STILE MIN-MAX SIZING

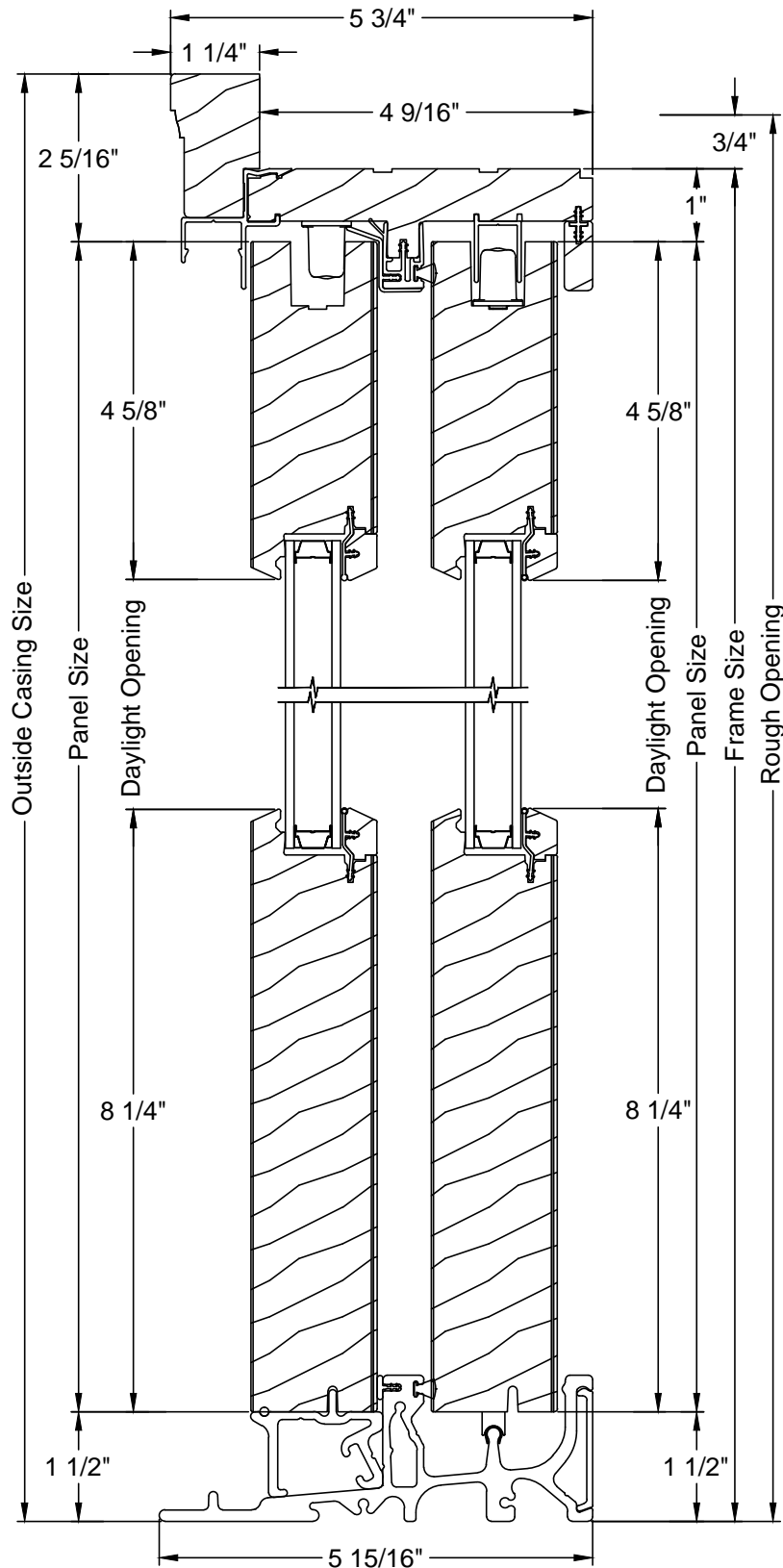


Standard widths for the Single Panel Narrow Stile Sitrine Sliding Patio Door:
32 1/8"(816mm), 38 1/8"(968mm), 50 1/8"(1273mm).

Standard heights for Single Panel Narrow Stile Sitrine Sliding Patio Door:
79 1/2"(2019mm), 82"(2083mm), 85 1/2"(2426mm).

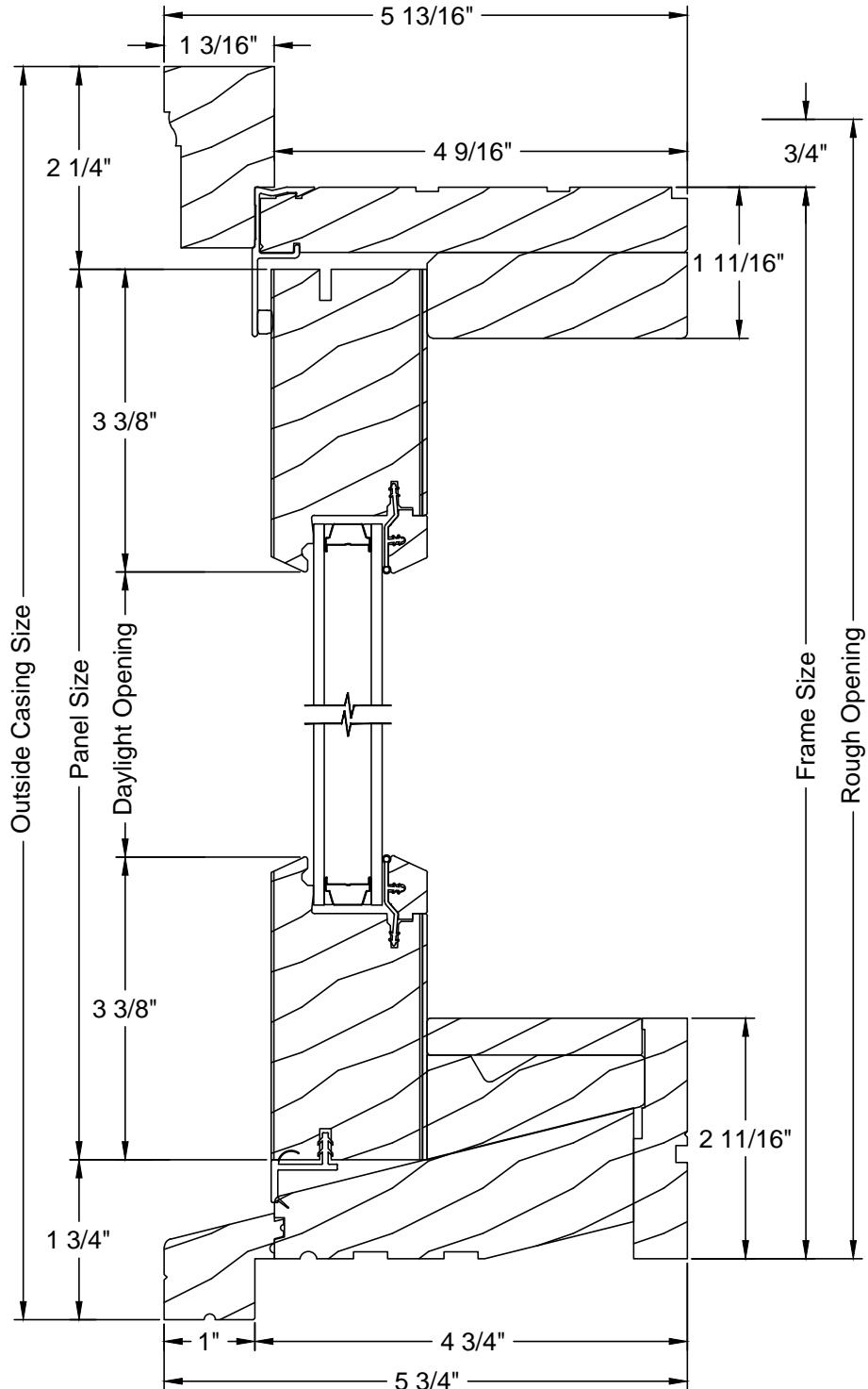


2 PANEL (WIDE STILE) VERTICAL SECTION



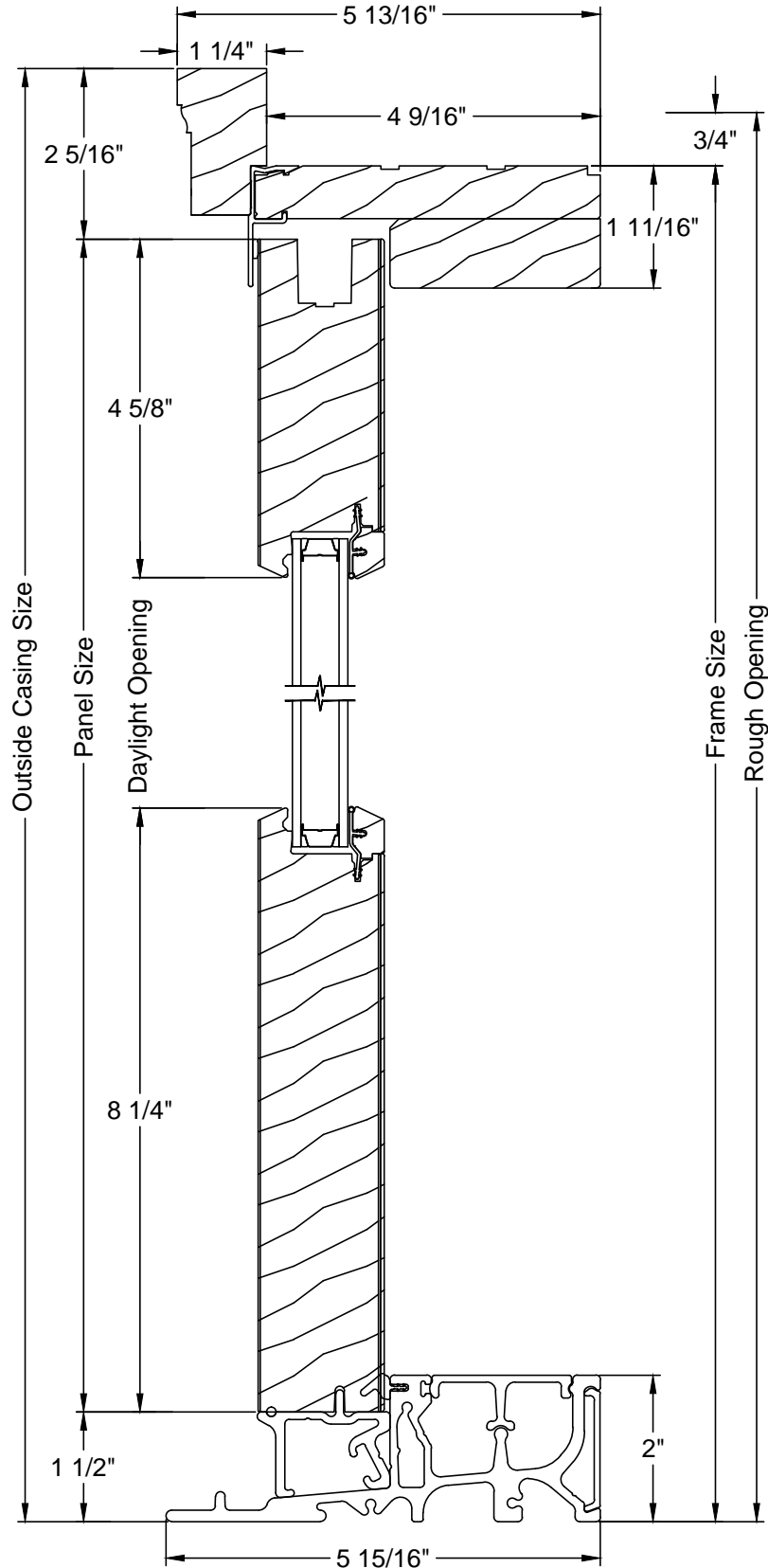


TRANSOM (WIDE STILE) VERTICAL SECTION



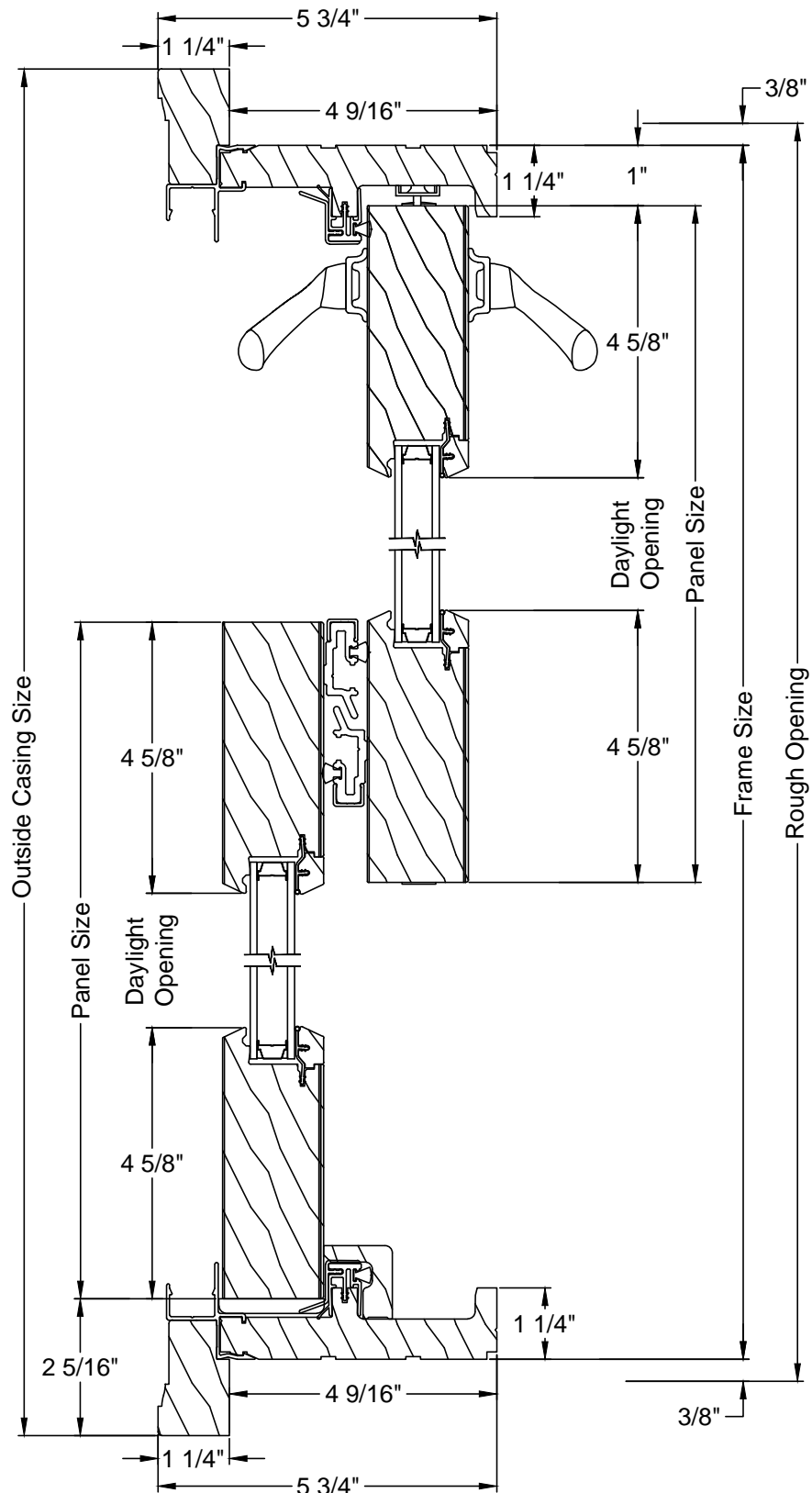


STATIONARY (WIDE STILE) VERTICAL SECTION



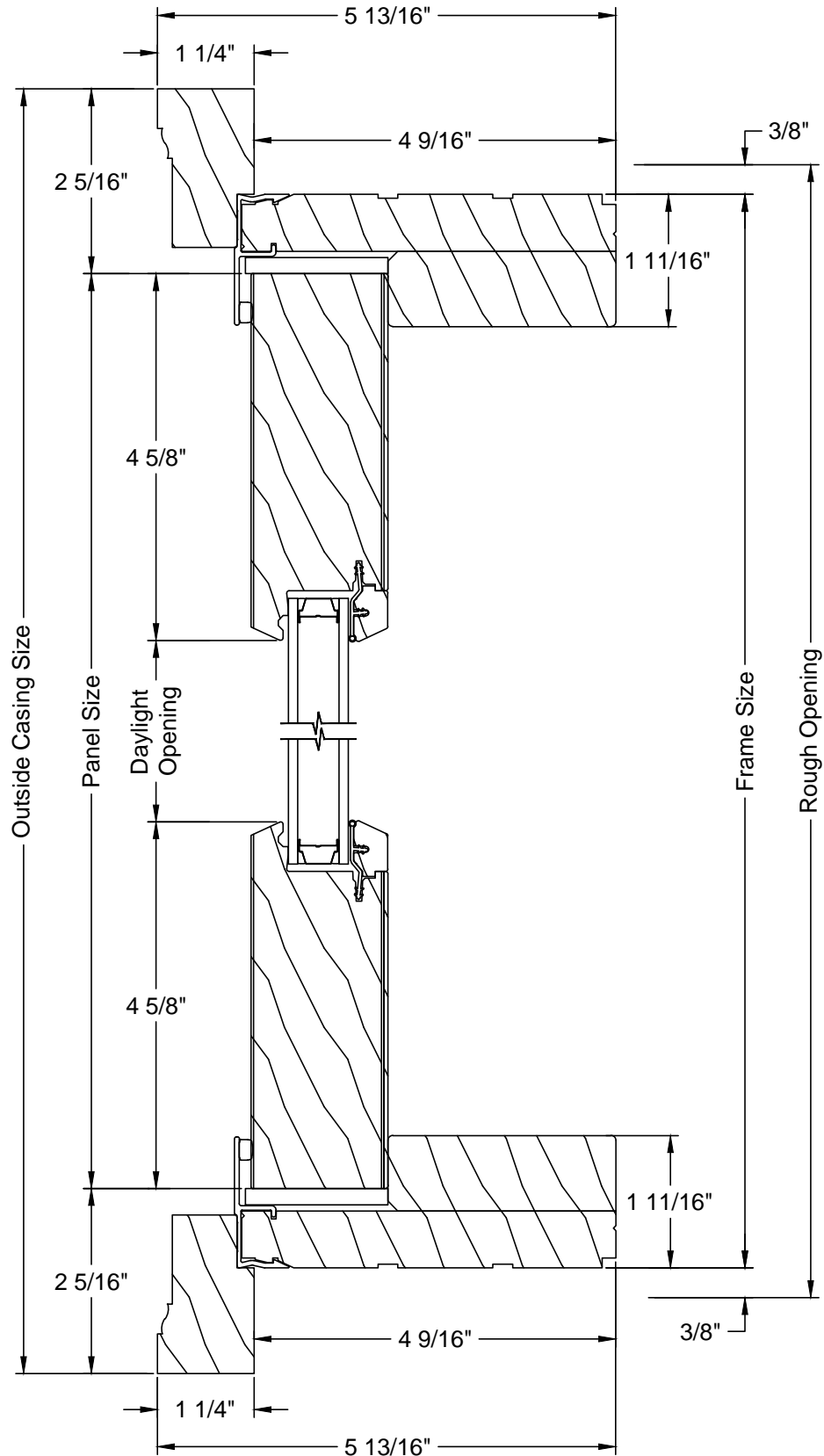


2 PANEL (WIDE STILE) HORIZONTAL SECTION



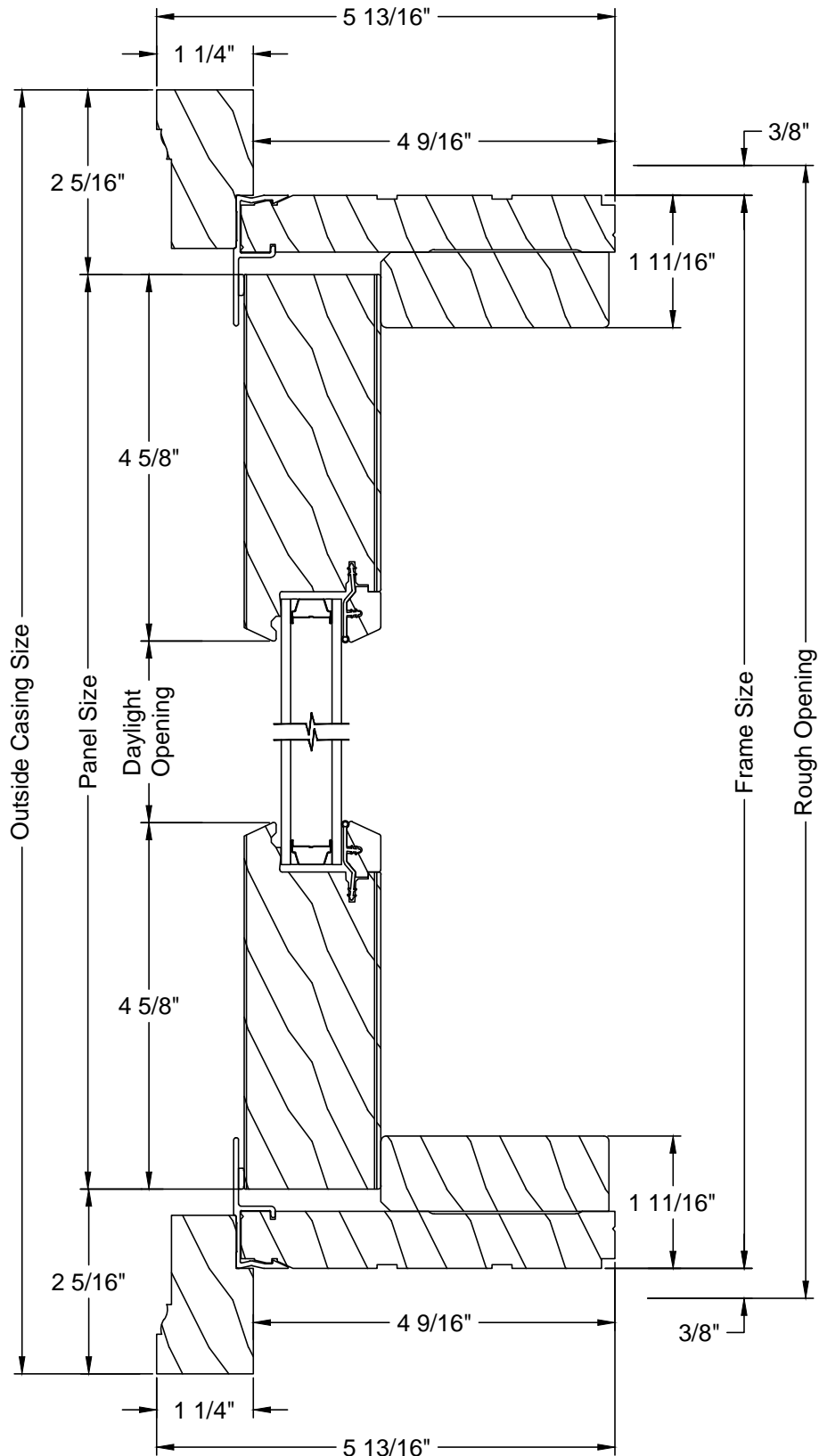


TRANSOM (WIDE STILE) HORIZONTAL SECTION



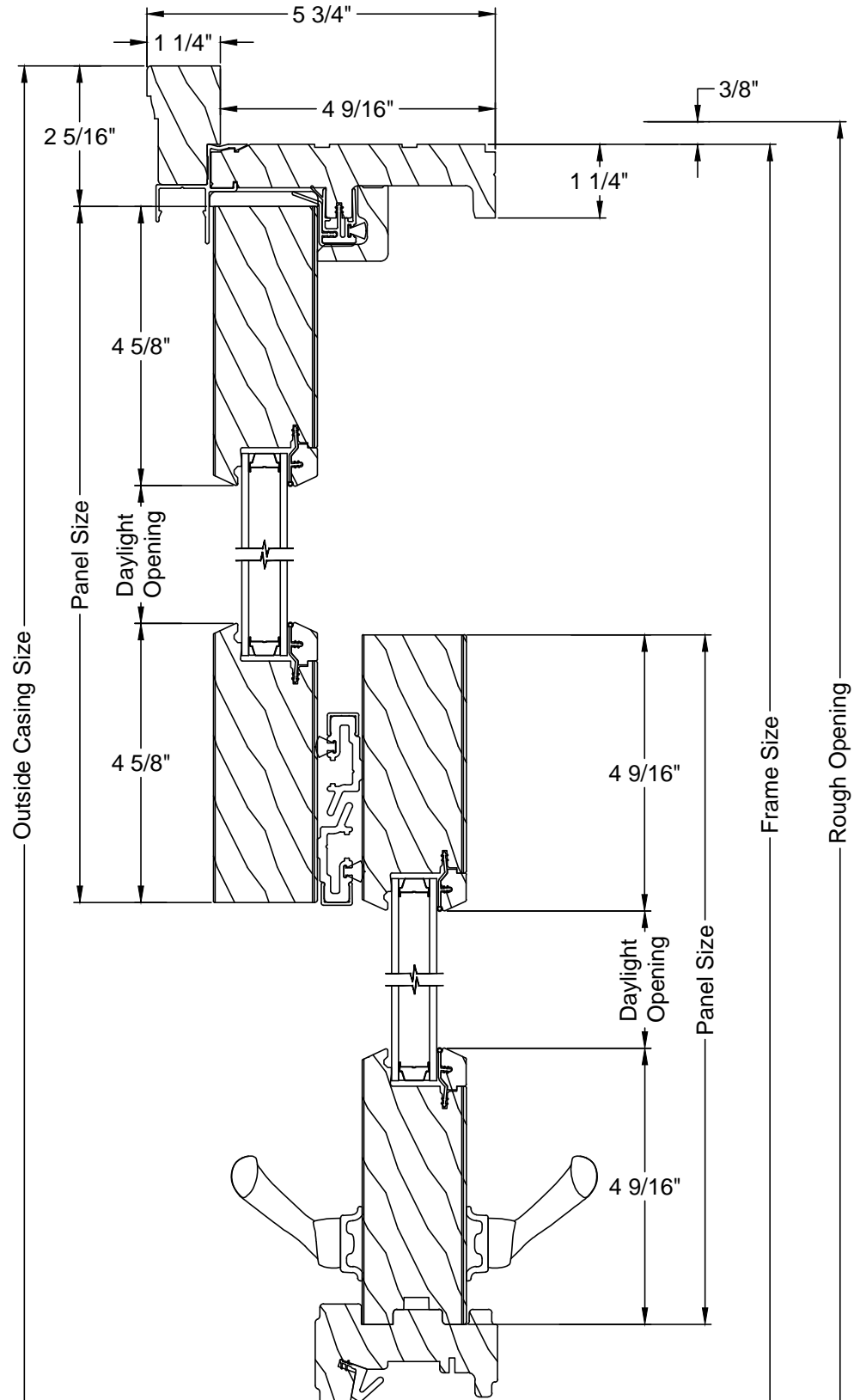


STATIONARY (WIDE STILE) HORIZONTAL SECTION



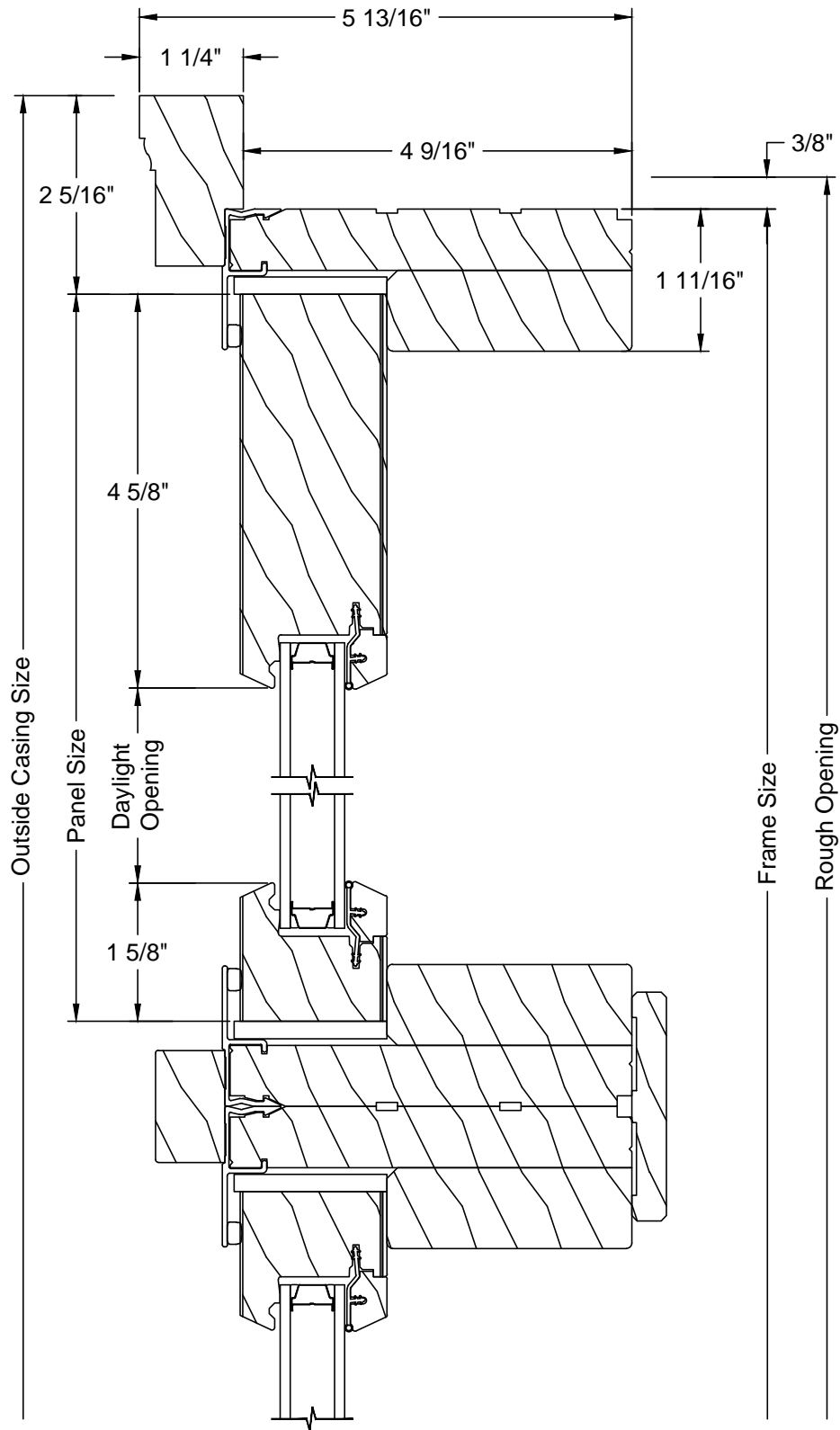


4 PANEL (WIDE STILE) HORIZONTAL SECTION



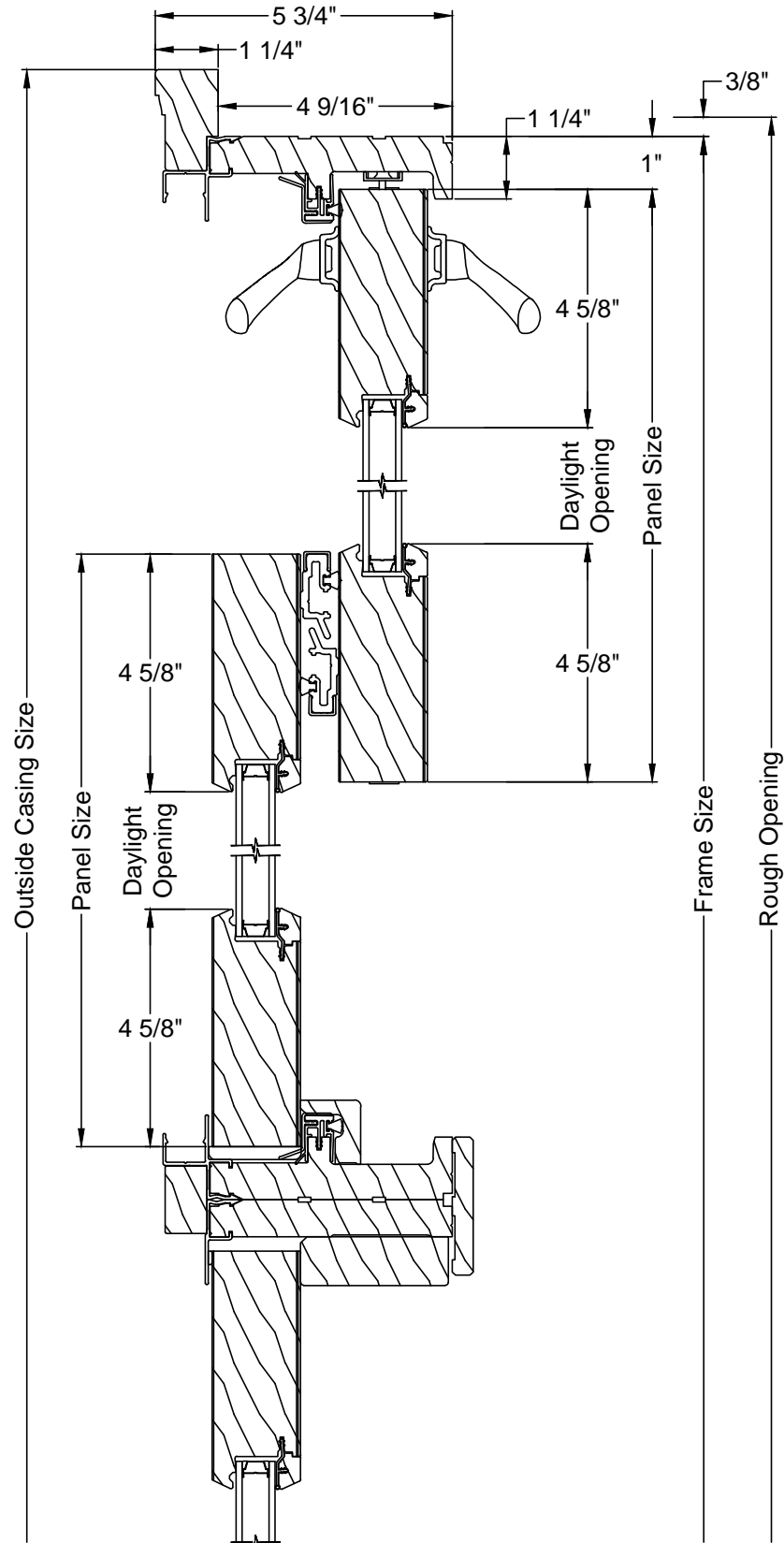


4 PANEL TRANSOM (WIDE STILE) HORIZONTAL SECTION



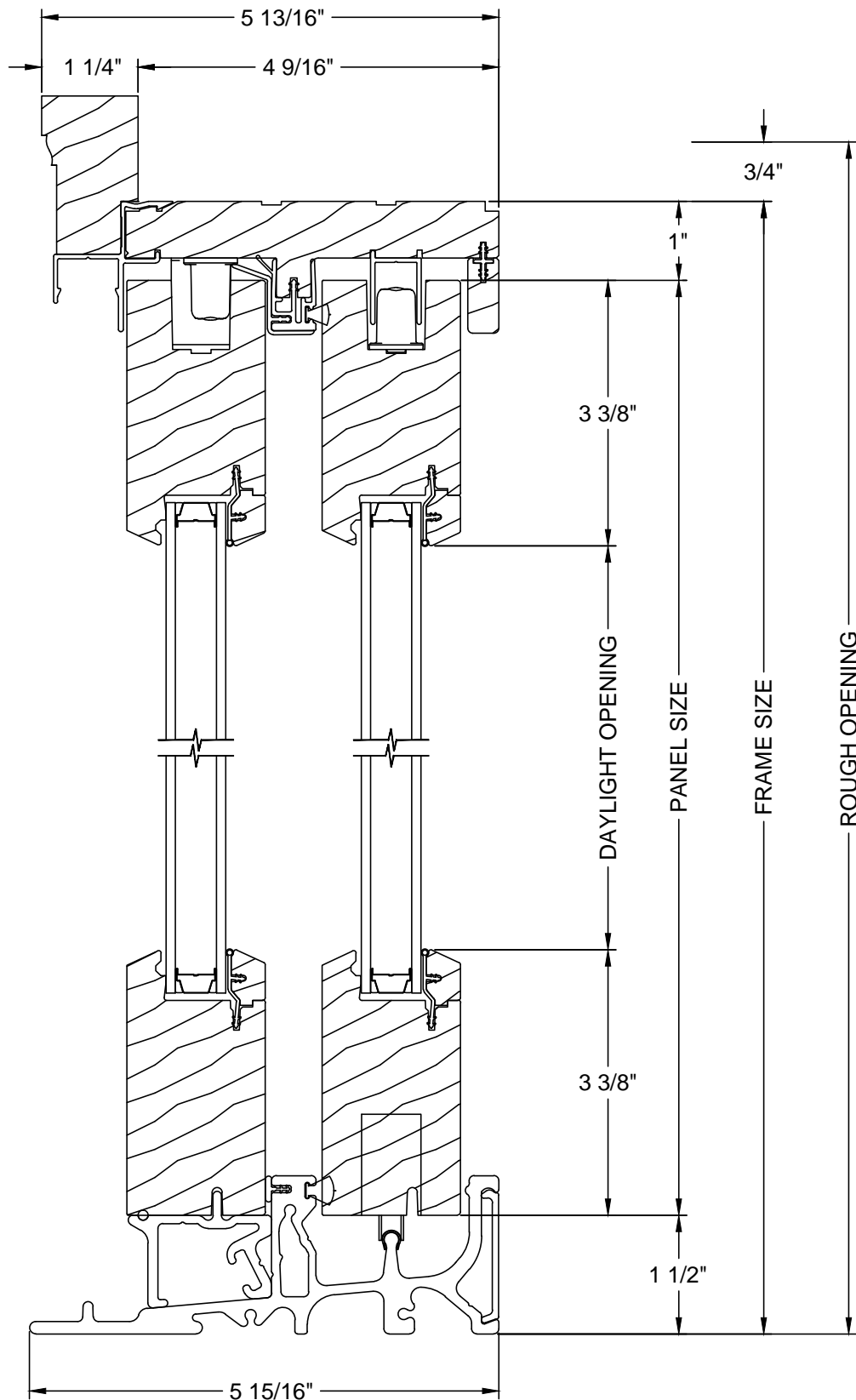


3 PANEL (WIDE STILE) HORIZONTAL SECTION



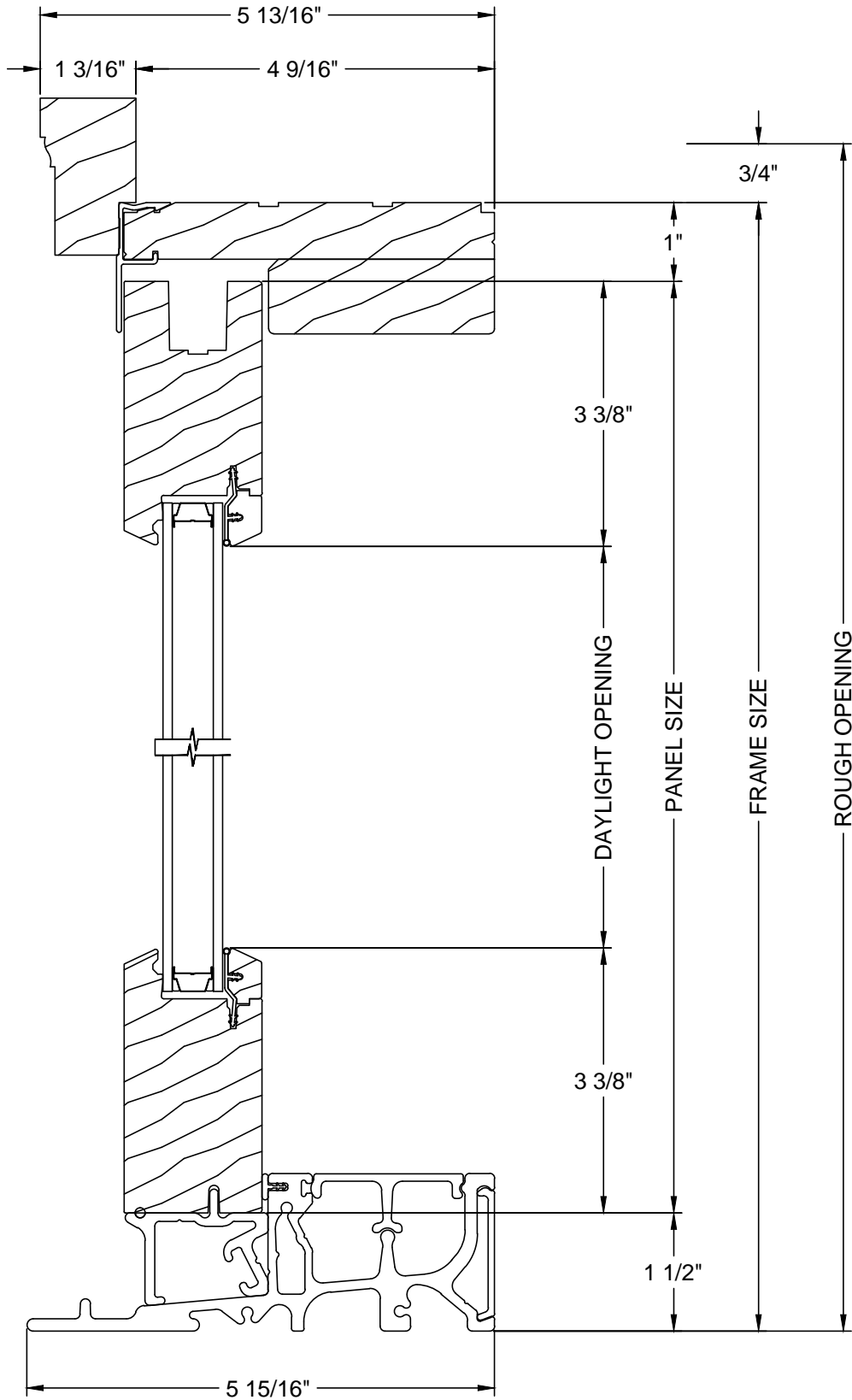


2 PANEL (NARROW STILE) VERTICAL SECTION



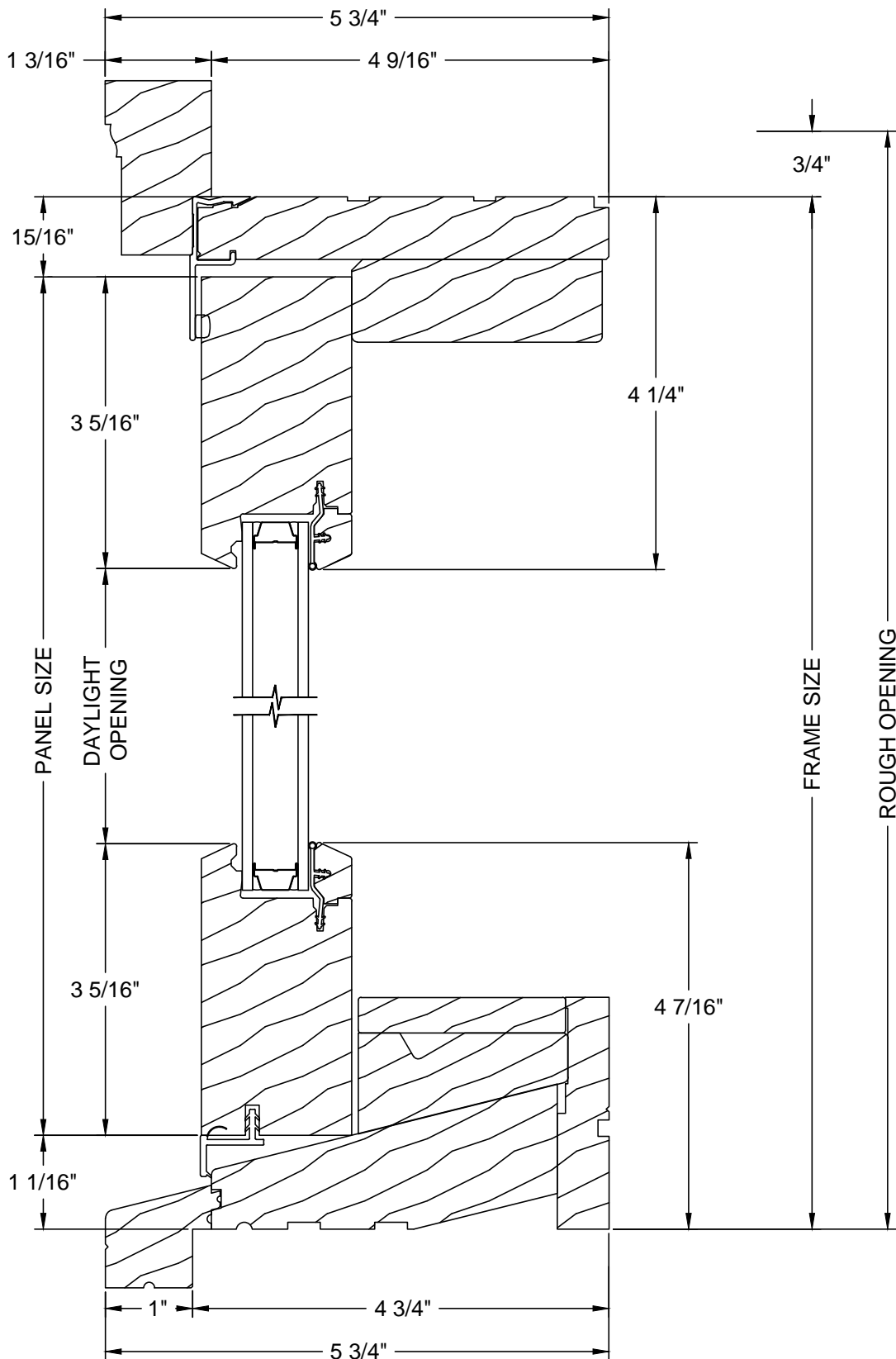


4 PANEL (NARROW STILE) VERTICAL SECTION



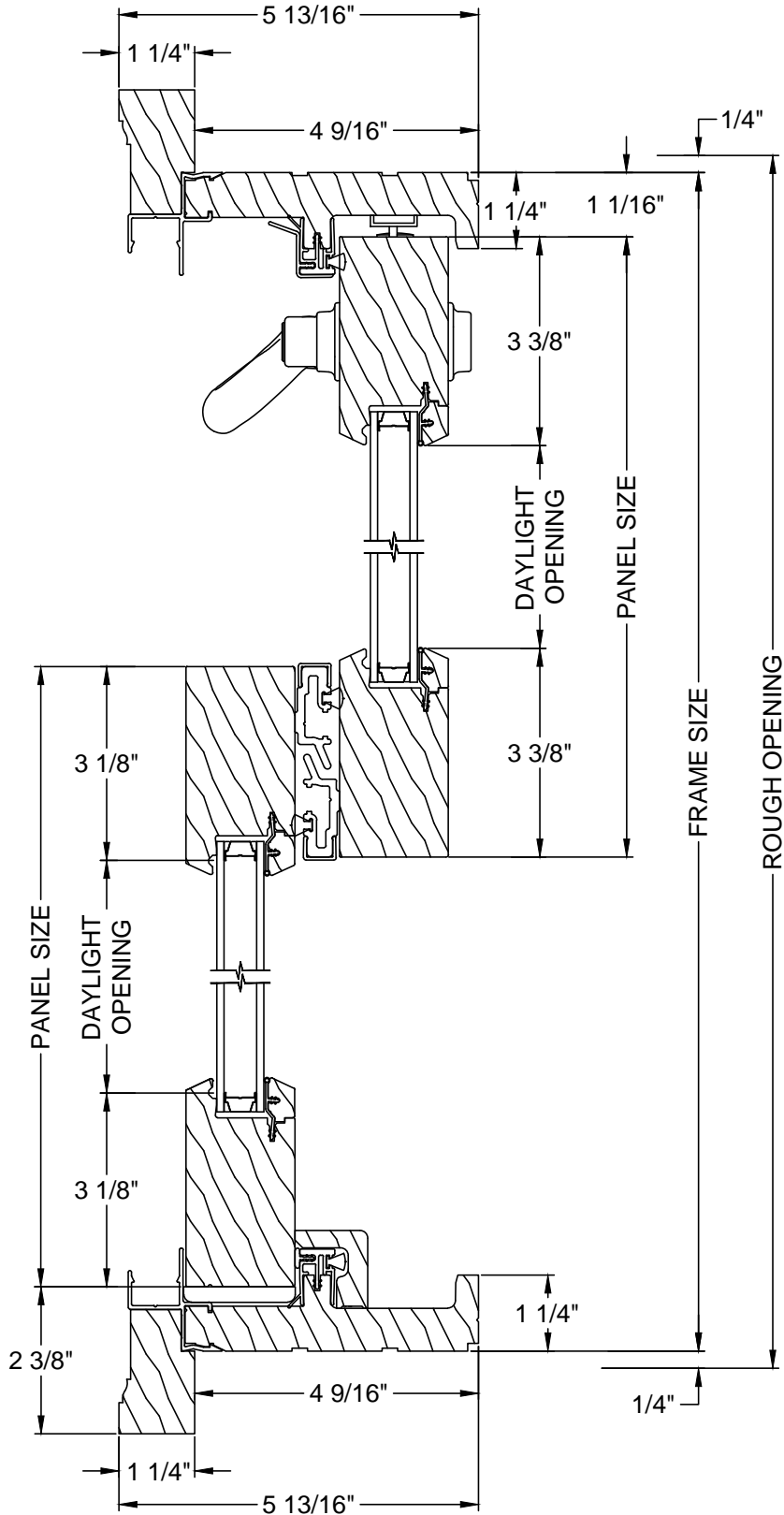


TRANSOM (NARROW STILE) VERTICAL SECTION



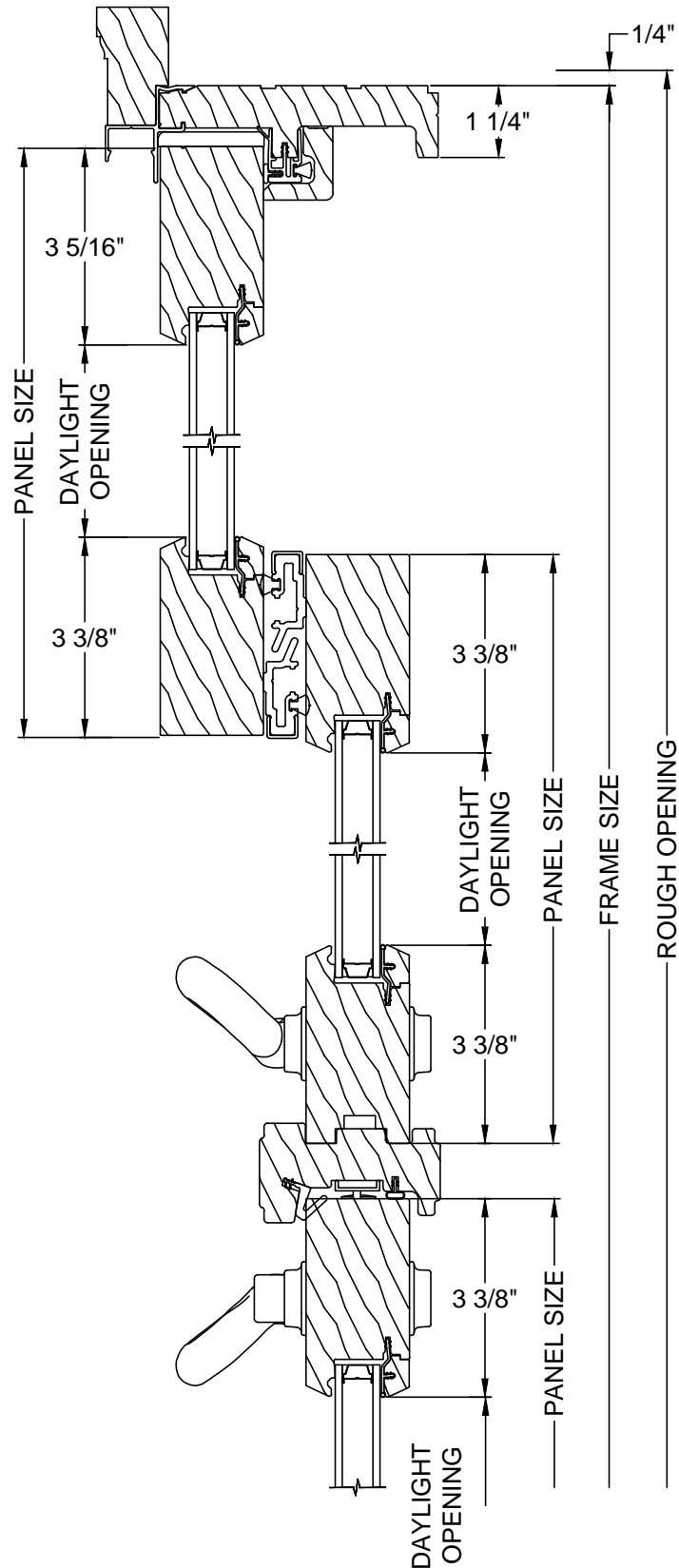


2 PANEL (NARROW STILE) HORIZONTAL SECTION



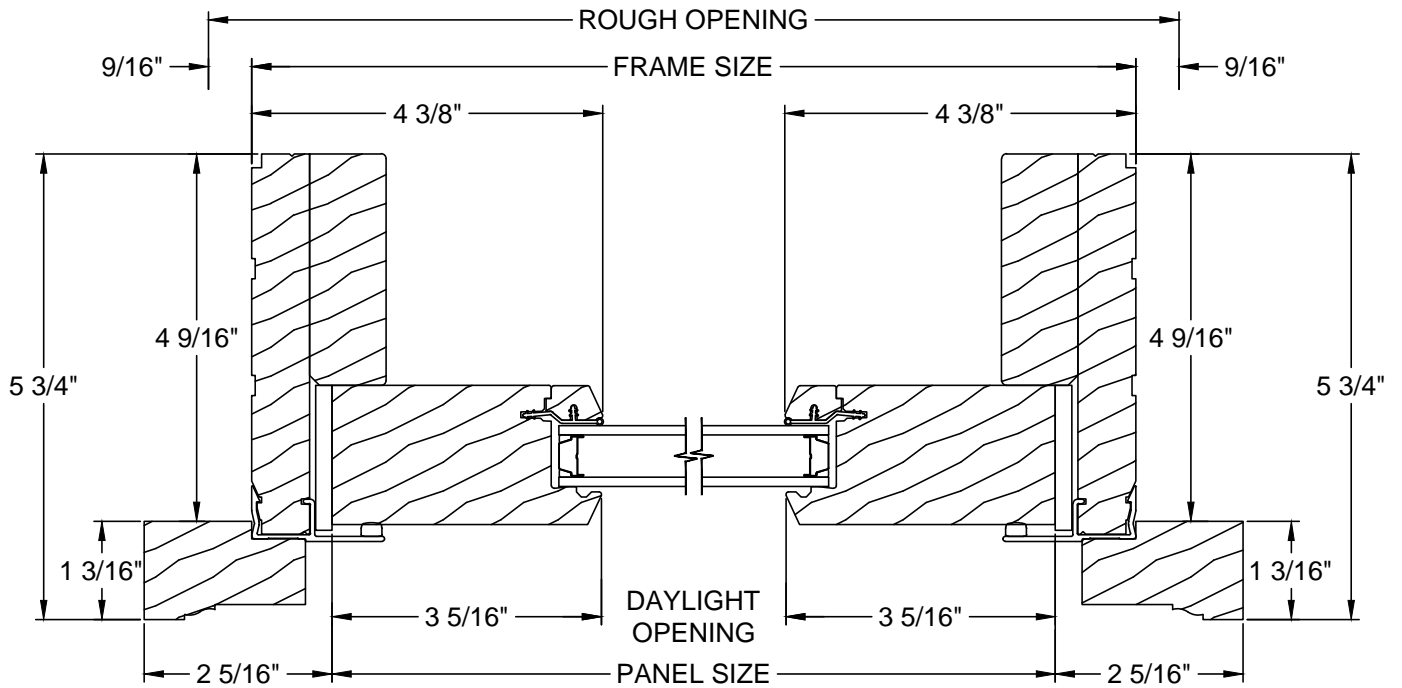


4 PANEL (NARROW STILE) HORIZONTAL SECTION



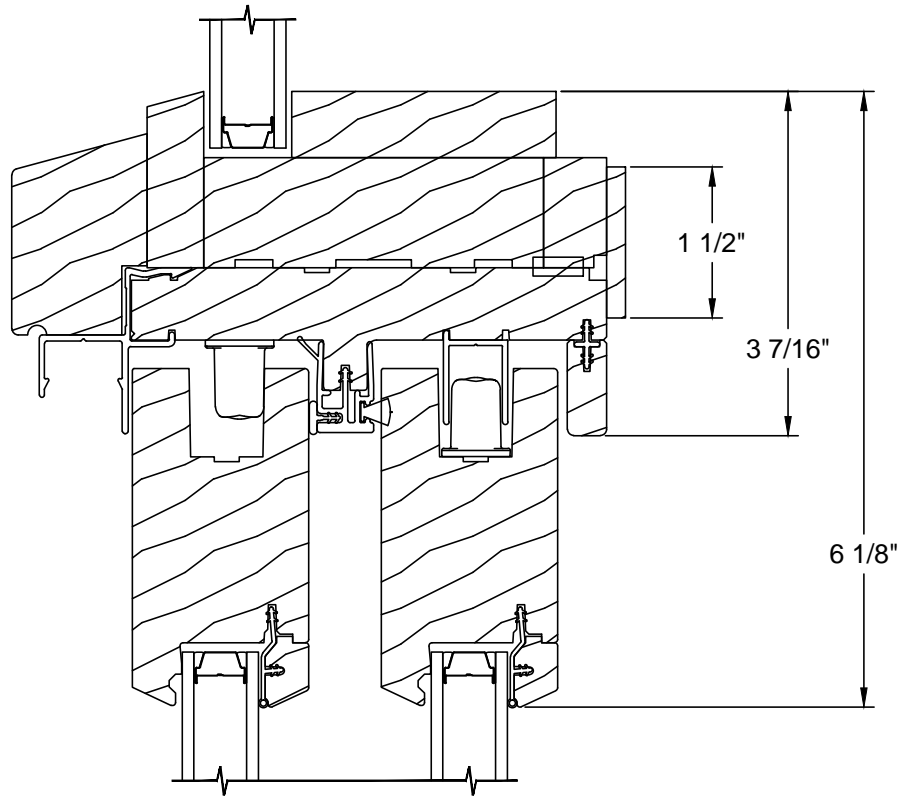


TRANSOM (NARROW STILE) HORIZONTAL SECTION



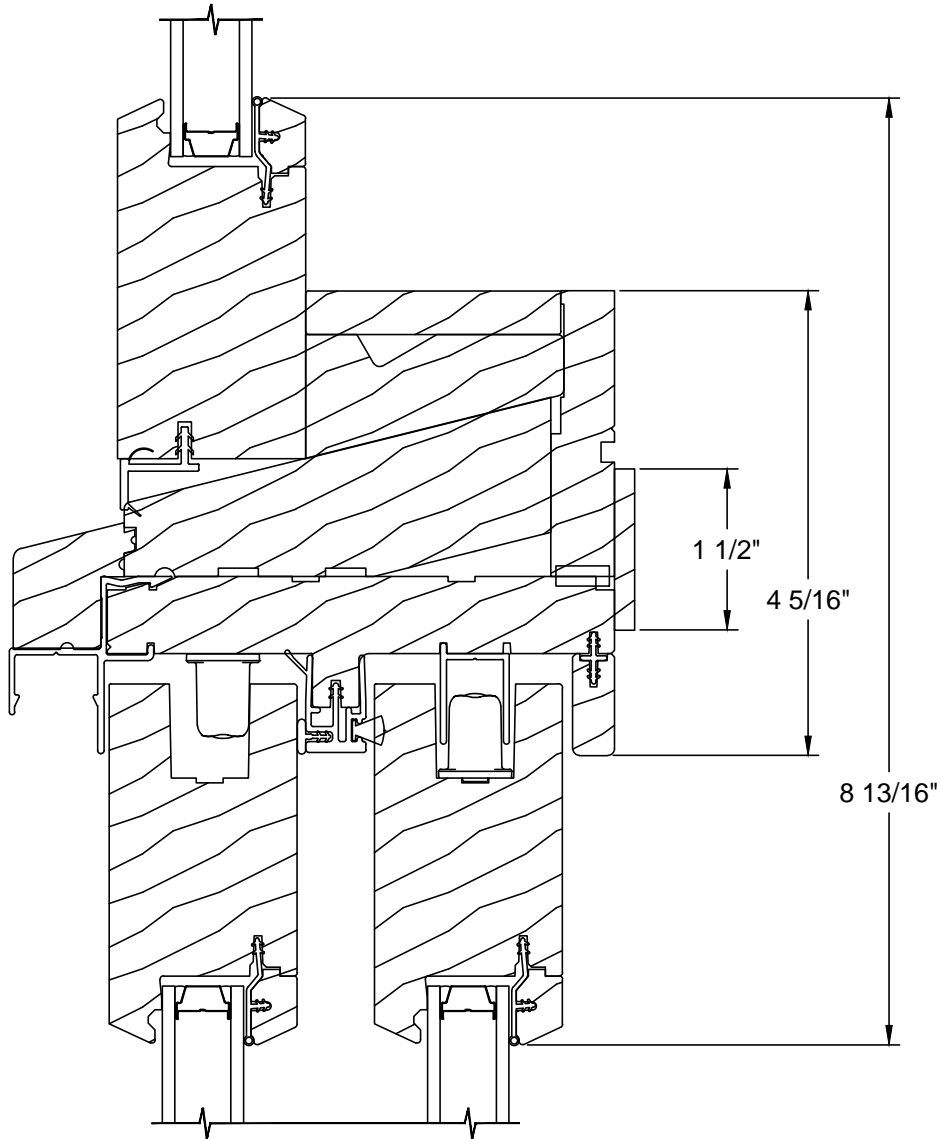


DIRECT SET 2 PANEL MULLION VERTICAL SECTION



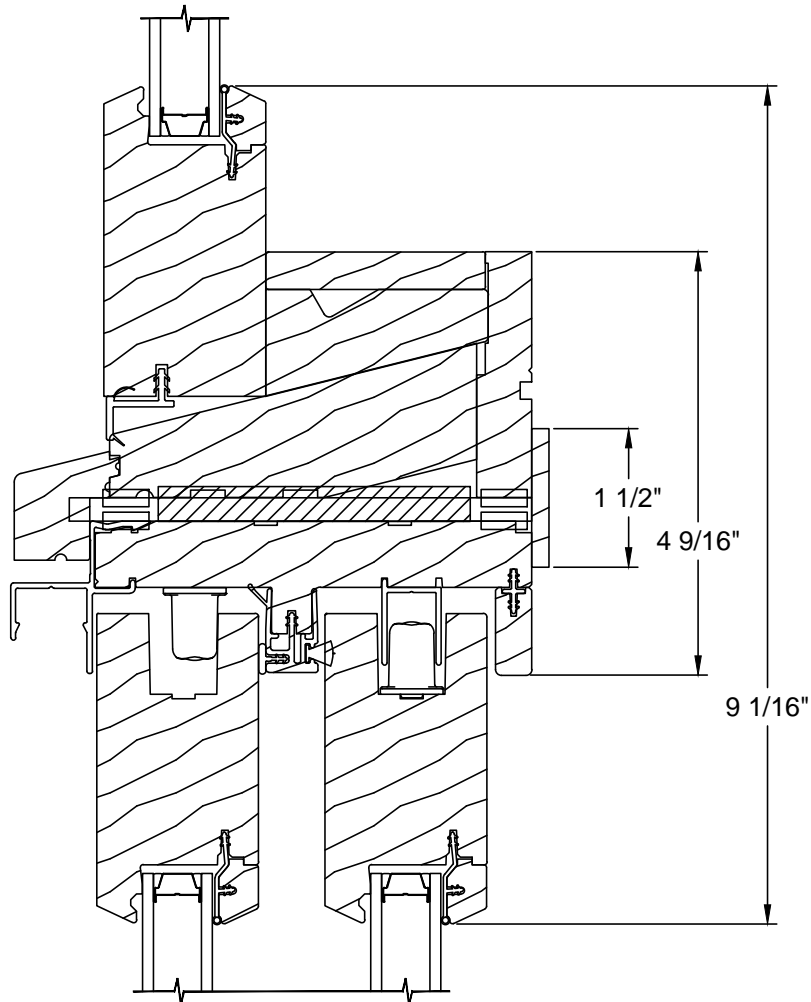


TRANSOM 2 PANEL MULLION VERTICAL SECTION



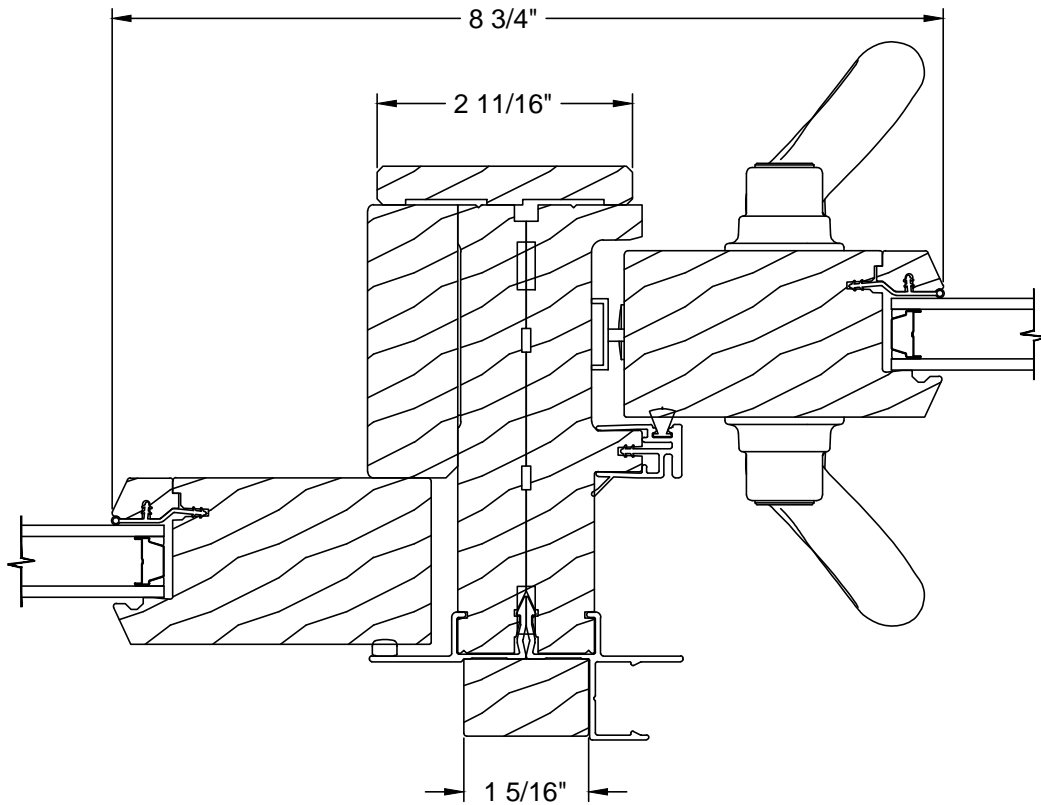


REINFORCED TRANSOM 2 PANEL MULLION VERTICAL SECTION





STATIONARY 2 PANEL MULLION HORIZONTAL SECTION





STATIONARY MULLION HORIZONTAL SECTION

