
TABLE OF CONTENTS

Specifications	29-2
Quick Spec Guide	29-4
Elevations/Sizes: 1/8" Scale	29-6
Narrow Stile Units	29-8
Wide Stile Units	29-12
Glazing Options	29-16
Trim Options	29-19
Rail & Panel Options	29-20
Mullion Details	29-23
Grille & SDL Patterns	29-24
Unit Sizing, Rough Openings & Masonry Openings	29-25
Section Details: 3" Scale	29-26

PRODUCT SPECIFICATIONS**EXTERIOR FINISH**

Exterior aluminum surfaces are finished with a fluoropolymer (70% Kynar 500®) multi-coat finish system to meet the performance standards required by AAMA specification #2605. 41 standard colors include Brilliant White, Chestnut Bronze, Desert Sand, French Vanilla, Hartford Green, Mesa Red, Black Licorice, Heirloom White, Hunter Green, Redwood, Sage Brown, Smoke and more. Custom Color Matching available. Three Copper finishes are available on door panels.

AURALAST® WOOD

AuraLast® wood is fundamentally different from wood treated in traditional millwork preservation processes in that it uses a proprietary vacuum/pressure process to provide protection throughout the wood parts used to make windows and doors. AuraLast® wood is distinguished from wood using traditional preservation methods by its unique ability to achieve greater penetration of the active ingredients into the wood parts, with a minimum treatment penetration of 92%.

INTERIOR FINISH

Interior surfaces are unfinished clear pine ready for on-site finishing. Optional prefinished pine interiors include four acrylic colors (Moderate White, Extra White, Natural Choice, Pure White), five stains (Wheat, Cherry, Fruitwood, Cordovan, Cider) and a clear lacquer topcoat. Primed interior is also available. Optional interior wood species include vertical grain Douglas Fir, Mahogany and Knotty Alder.

FRAME

Frame is assembled from select kiln-dried pine AuraLast® wood on all exterior parts. Exterior surface is covered with .050 gauge extruded aluminum cladding. Standard jamb width is 4-9/16".

PANELS

1-23/32" (43.6mm) thick select kiln-dried pine AuraLast® wood. Exterior surface is covered with .024 (0.61mm) roll formed aluminum cladding. The top and bottom rails are formed from solid Western Pine veneers laminated to a kiln dried edge-and-end-glued core, while the stiles have the same veneer laminated to a Timberstrand core. Two standard layouts are available: the narrow stile with 1-23/32" stiles and rails, and the wide stile with 4-5/8" stiles and rails with a 6-5/8" bottom rail. An optional 10-1/4" bottom rail is available on the wide stile door.

GLAZING

Insulating glass is constructed from two panes of tempered glass, utilizing a continuous roll formed stainless steel spacer with dual seal sealant. A computer-controlled application of clear silicone is used to bed the exterior of the insulating glass into the panel. An acrylic sealant is used to bed the interior. All insulating glass units comply with the performance requirements of IGCC in accordance with either ASTM E774 or E2190.

GLAZING OPTIONS - TEMPERED

Tempered insulating glass available in Low-E with Argon, Low-E, Low-E 366, Clear, Neat Glass, Seedy Reamy, tinted, reflective, or obscure, or other specialty glass as specified. Preserve® film is a 0.003" thick polyethylene film with a low tack acrylic adhesive applied to the glass for protection during shipping and installation. Installations at 4,000 foot elevations and higher require a capillary tube to equalize environmental stress (otherwise known as High Altitude glazing). High altitude glazing does not allow the use of Argon as listed under glazing options.

WEATHER-STRIPPING

The head and side jambs are equipped with a foam filled vinyl wrapped weather strip to engage the panels. A polypropylene pile-sealing strip is located on the bottom of the operating panel to seal against the sill. The meeting stiles are sealed with vinyl interlocks and compressible foam filled bulbs.

SILL

The sill is a pultruded fiberglass in a neutral tan color, with a solid oak interior trim and stainless steel cap on the track for the gliding rollers.

HARDWARE

The operating panels are fitted with steel ball bearing tandem rollers installed in a heavy duty housing with a cam type slip proof height adjustment. The standard finish for the handle set is Polished Brass, with optional finishes available in Antique Brass, Polished Chrome, Brushed Chrome, Oil Rubbed Bronze, White Powder Coat, and Black Powder Coat. The standard locking system is a single point mortise shipped separately for field installation. Optional multipoint lock systems are factory installed securing the active panel at three points. The system is automatically activated.

INSECT SCREENS

Optional exterior sliding screen is assembled with 18 x 16 fiberglass mesh screen cloth set in an extruded aluminum frame supplied with all necessary hardware. Standard colors are Brilliant White, Chestnut Bronze, Desert Sand, French Vanilla, Hartford Green, Mesa Red, Black Licorice, Heirloom White, Hunter Green, Redwood, Sage Brown, and Smoke. Insect screens are intended to allow air and light in and to keep insects out. They are not intended to keep anyone or anything from falling through an open window. For safety screens or other security devices contact your local building supply retailer.

GRILLES

SDL (Simulated Divided Lites) - extruded aluminum muntins permanently applied to the exterior of the insulating glass unit (not available on textured glass) in 5/8", 7/8", 1-1/8", or 1-3/8" widths. Profiles are bead stop in all widths, and a putty profile in 5/8", 7/8", and 1-1/8" widths only. 1" Copper SDL is also available. SDL is standard with a light bronze internal shadow bar to give a true divided lite appearance. As an option, SDL may be ordered with a silver shadow bar. Clear wood interior muntin bars match the exterior muntin width and are permanently bonded to the interior of the glass. Also available is a 2-5/16" SDL bar, which simulates a double-hung checkrail.

Full-Surround Removable Wood Grilles - Rectangular, unfinished interior clear pine wood grilles in 7/8", 1-1/8", and 1-3/8" are available in patterns selected by the owner.

GBG (Grilles between the Glass) - 5/8" flat, 23/32" contour, or 1" contour grilles mounted between the glass panes suspended within the air cavity.

EXTERIOR TRIM

Nail flange and drip cap standard with optional extruded aluminum brickmould, 3-1/2" flat, 3-1/2" Adams and Heritage trims. Optional mull covers to accommodate 1" (spread only), 2", 3-1/2" and 6" spread and stud pocket mull.

EXTENSION JAMBS

Extension jambs are available for wall depths up to 6-11/16", factory applied.

Continued on next page

PRODUCT SPECIFICATIONS

INSTALLATION

Installation per JELD-WEN Installation Method for Metal Clad Windows. See www.jeld-wen.com/resources for instructions.

PERFORMANCE

ANSI/AAMA/NWDA/101/I.S.2-97
AMMA/WDMA/CSA 101/I.S.2/A440-05
WDMA Hallmark Certified

See www.jeld-wen.com for architectural and performance information.

QUICK SPEC GUIDE

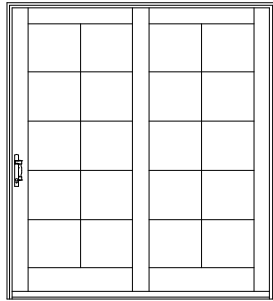
SPECIFICATION	STANDARD FEATURES	OPTIONAL FEATURES <i>Some options may require additional lead times. Consult your JELD-WEN Sales Representative.</i>		
EXTERIOR FINISH	<ul style="list-style-type: none"> • Brilliant White • Chestnut Bronze • Desert Sand • French Vanilla • Mesa Red • Hartford Green • Black Licorice • Heirloom White • Hunter Green • Redwood • Sage Brown • Smoke • Artic Silver • Dark Chocolate • Black Emerald • Bone White • Bronze • Buckskin • Cambridge White • Capri Blue • Cascade • Champagne • Clover Mist • Dark Buckskin • Dark Ivy • Deep Summer • Garnet • Haverstraw • Hudson Blue • Ivory • Ivy • Liberty Blue • Mocha Cream • Mosaic Green • Pueblo Tan • Rosewood • Scarlet Haze • Sea Foam • Teal • Wedgewood • White 	<ul style="list-style-type: none"> • Custom Color Matching <div style="border: 1px solid black; padding: 5px; margin-top: 10px;"> <p>Panel Only:</p> <ul style="list-style-type: none"> • Bright Copper • Speckled Patina Copper • Hand Rubbed Patina Copper </div>		
EXTERIOR TRIM	<ul style="list-style-type: none"> • Drip Cap & Integral Nailing Fin 	<ul style="list-style-type: none"> • Extruded Aluminum Brickmould • Adams Casing • 3-1/2" Flat Casing • Heritage Casing • Folding Nailing Fin 		
INTERIOR WOOD	<ul style="list-style-type: none"> • Western Pine 	<ul style="list-style-type: none"> • Knotty Alder • Vertical Grain Douglas Fir • Mahogany 		
INTERIOR FINISH	<ul style="list-style-type: none"> • Natural 	<ul style="list-style-type: none"> • Priming Available <p>Pre-finished Interior Options are:</p> <ul style="list-style-type: none"> • Paint - Pure White, Extra White, Natural Choice, Moderate White • Stain - Wheat, Fruitwood, Cherry, Cordovan, Cider • Clear Lacquer 		
SIZE	<ul style="list-style-type: none"> • Width: 2-6, 2-8, 3-0, 4-0, 5-0, 6-0, 8-0, 7-6, 9-0, 10-0, 12-0, 16-0 • Height: 6-8, 7-0, 8-0 	<ul style="list-style-type: none"> • Any Panel Width: 30 to 50-15/32 • Any Panel Height: 36 to 95-3/16 		
GLAZING (ALL TEMPERED)	<ul style="list-style-type: none"> • Low-E Tempered Insulating Glass (with Argon) • Low-E 366 • Preserve® Protective Film 	<table style="width: 100%; border: none;"> <tr> <td style="vertical-align: top;"> <ul style="list-style-type: none"> • Clear • Obscure • Tints: Bronze, Gray, Green • Reflective • Glue Chip • Safety Laminate in Clear, Bronze or Gray </td> <td style="vertical-align: top;"> <ul style="list-style-type: none"> • Neat Glass • Seedy Reamy • Rain • Narrow Reed • Sandblasted • Tempered • Impact Resistant </td> </tr> </table> <ul style="list-style-type: none"> • High Altitude (Breather Tube, no Argon) 	<ul style="list-style-type: none"> • Clear • Obscure • Tints: Bronze, Gray, Green • Reflective • Glue Chip • Safety Laminate in Clear, Bronze or Gray 	<ul style="list-style-type: none"> • Neat Glass • Seedy Reamy • Rain • Narrow Reed • Sandblasted • Tempered • Impact Resistant
<ul style="list-style-type: none"> • Clear • Obscure • Tints: Bronze, Gray, Green • Reflective • Glue Chip • Safety Laminate in Clear, Bronze or Gray 	<ul style="list-style-type: none"> • Neat Glass • Seedy Reamy • Rain • Narrow Reed • Sandblasted • Tempered • Impact Resistant 			

Continued on next page

QUICK SPEC GUIDE

SPECIFICATION	STANDARD FEATURES	OPTIONAL FEATURES <i>Some options may require additional lead times. Consult your JELD-WEN Sales Representative.</i>
GRILLES		SDL Bead Profile: <ul style="list-style-type: none"> • 5/8", 7/8", 1-1/8", 1-3/8", 2-5/16" with Light Bronze Shadow Bar • 5/8", 7/8", 1-1/8", 1-3/8", 2-5/16" with Silver Shadow Bar SDL Putty Profile: <ul style="list-style-type: none"> • 5/8", 7/8" and 1-1/8" with Light Bronze Shadow Bar • 5/8", 7/8" and 1-1/8" with Silver Shadow Bar • 1" Copper SDL GBG (Grilles between the Glass): <ul style="list-style-type: none"> • 5/8" Flat, 23/32" Contour, 1" Contour Full-Surround: <ul style="list-style-type: none"> • 7/8", 1-1/8", 1-3/8"
HARDWARE	<ul style="list-style-type: none"> • Single Point Mortise • Quad Door - Multipoint is Standard 	<ul style="list-style-type: none"> • Multipoint Auto Activated
HARDWARE COLOR	<ul style="list-style-type: none"> • Polished Brass 	<ul style="list-style-type: none"> • Antique Brass • Polished Chrome • Brushed Chrome • Oil-Rubbed Bronze • White Powder Coat • Black Powder Coat
JAMB	<ul style="list-style-type: none"> • Applied, 5/4 • 4-9/16" 	<ul style="list-style-type: none"> • Up to 6-11/16"
INSECT SCREENS		<ul style="list-style-type: none"> • Fiberglass
SCREEN FRAME COLOR	<ul style="list-style-type: none"> • Brilliant White • Chestnut Bronze • Desert Sand • French Vanilla • Mesa Red • Hartford Green • Black Licorice • Heirloom White • Hunter Green • Redwood • Sage Brown • Smoke 	<ul style="list-style-type: none"> • Black Emerald • Bone White • Bronze • Buckskin • Cambridge White • Capri Blue • Cascade • Champagne • Clover Mist • Dark Buckskin • Dark Ivy • Deep Summer • Garnet • Haverstraw • Hudson Blue • Ivory • Ivy • Liberty Blue • Mocha Cream • Mosaic Green • Pueblo Tan • Rosewood • Scarlet Haze • Sea Foam • Teal • Wedgewood • White • Clear Satin Anodized • Custom Color Matching
DOOR SILL	<ul style="list-style-type: none"> • Tan 	<ul style="list-style-type: none"> • Black

GENERAL INFORMATION



RIGHT STATIONARY

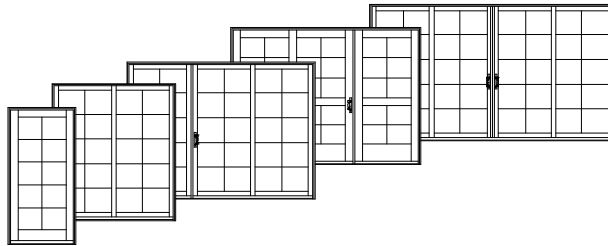
DIMENSIONAL DOORS

Clad gliding patio doors may be specified as "dimensional" by adjusting the desired rough opening width or height in 1/4" increments from standard.

Clad gliding patio doors are available in single, twin, triple and quad panel doors. The standard size range includes sizes specifically designed for replacement of older patio door models in existing structures, as well as a full range of "true size" products for architectural consistency.

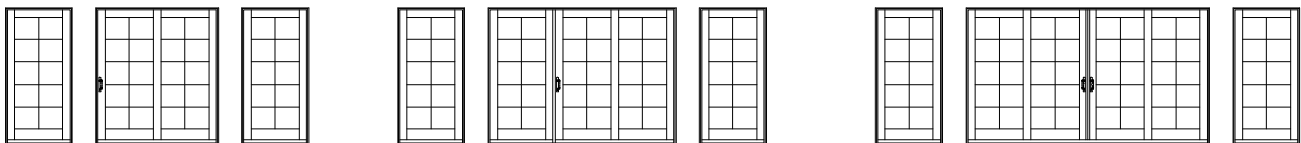
OPERATION

Clad gliding patio doors are available in a full range of operating and stationary styles. Single panel doors are only available as stationary (non-venting) styles. Two-panel doors are available with left or right operation. Three-panel doors are available with left and right operation and with center or end operators. Four-panel doors are available with two panels operating from the center. Configuration and handing is based on viewing the door from the exterior.



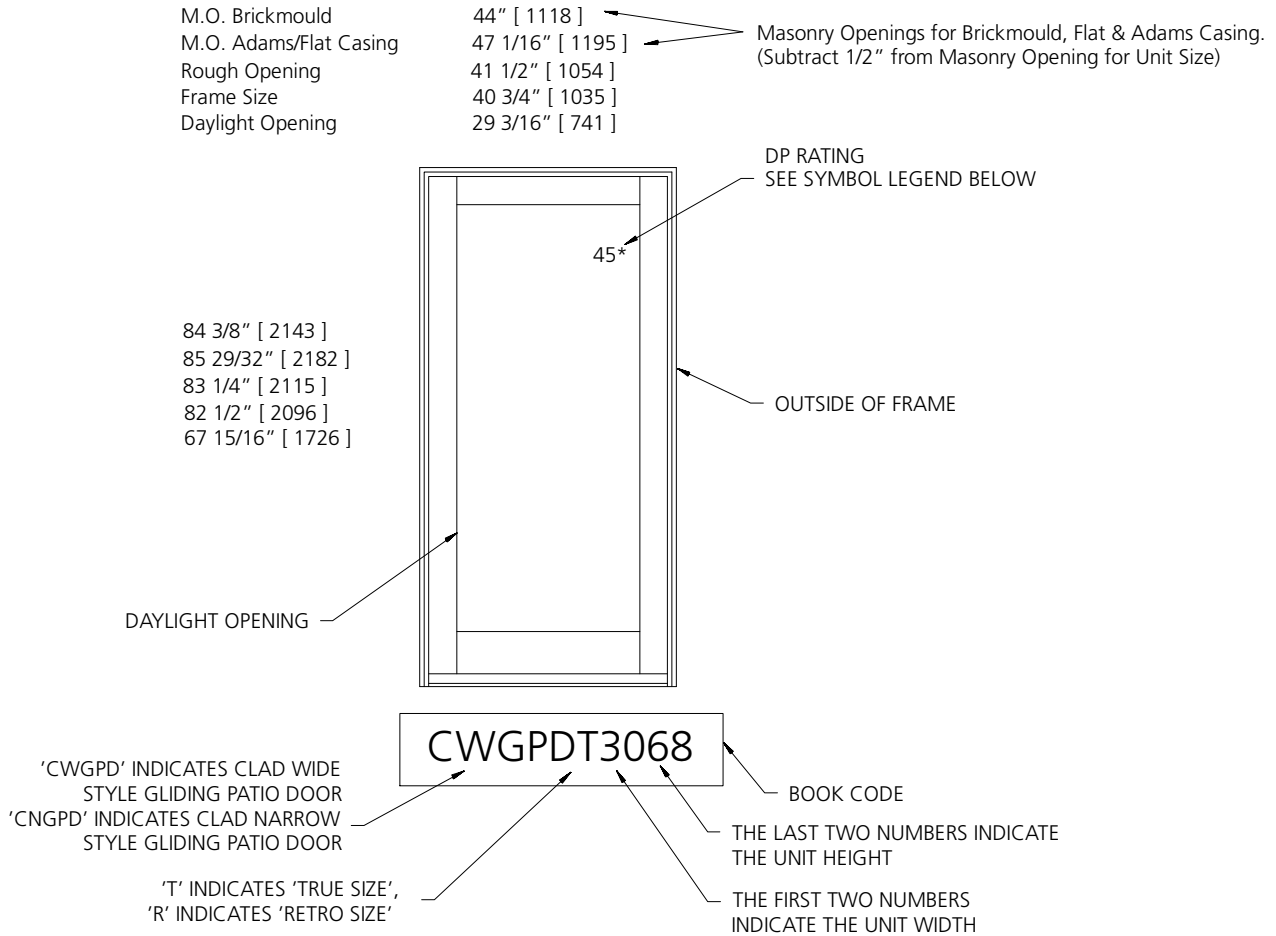
MULTIPLE ASSEMBLIES

Clad gliding patio doors are available in a wide variety of multiple panel configurations from the factory, all of which are assembled with continuous sills. Mulling of clad gliding patio doors to like products in the field is not recommended. Instead, individual factory assembled units should be installed in contiguous rough openings, in order to provide adequate framing support to assure the best performance of the door systems.



ELEVATION NOTES

ELEVATION DRAWINGS UTILIZE A LIMITED NUMBER OF PROJECTED LINES TO PRODUCE A RUDIMENTARY DRAWING INTENDED TO BE USED IN A SMALL GRAPHICAL SCALE. ELEVATIONS ARE VIEWED PERPENDICULAR FROM THE EXTERIOR OF THE STRUCTURE. IF MORE DIMENSIONS ARE NEEDED, USE THE SECTION DRAWINGS FOR MORE COMPLETE DEPICTIONS.



GENERAL SWINGING DOOR NOTES

1. CLAD GLIDING PATIO DOOR (CWGPD/CNGPD) UNITS ARE AVAILABLE AS OPERATING OR STATIONARY UNITS.
2. UNIT ELEVATIONS ARE SHOWN WITHOUT EXTERIOR TRIM. UNIT SIZES & MASONRY OPENING DIMENSIONS WILL CHANGE WITH THE ADDITION OF EXTERIOR TRIM. SEE THE 'UNIT SIZING, ROUGH OPENINGS & MASONRY OPENINGS' PAGE FOR EXTERIOR TRIM EFFECTS.
3. OPERATING UNITS ARE AVAILABLE AS LEFT OR RIGHT HAND OPERATION.
4. INTERMEDIATE LOCK RAILS, RAISED PANELS AND 10 1/4" BOTTOM RAILS ARE AVAILABLE ON ALL WIDE STYLE UNITS.

ELEVATION SYMBOL LEGEND:

- S** PANEL IS AVAILABLE AS STATIONARY ONLY.
- ##*** NUMBER INDICATES DESIGN PRESSURE (DP) RATING WITH STANDARD GLAZING. OPERATING UNITS UTILIZE MULTI-POINT LOCKING HARDWARE FOR DP RATINGS.

NARROW STILE 1-PANEL

M.O. BRICKMOULD
M.O. ADAMS/FLAT CASING
ROUGH OPENING
FRAME SIZE
DAYLIGHT OPENING

35 1/16" [891]
38 1/8" [968]
32 9/16" [827]
31 13/16" [808]
24" [610]

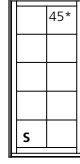
41 1/16" [1043]
44 1/8" [1121]
38 9/16" [979]
37 13/16" [960]
30" [762]

53 1/16" [1348]
56 1/8" [1426]
50 9/16" [1284]
49 13/16" [1265]
42" [1067]

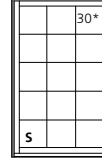
81 3/8" [2067]
82 29/32" [2106]
80 1/4" [2038]
79 1/2" [2019]
70 11/16" [1795]



CNGPDR2668

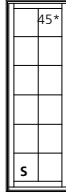


CNGPDR3068

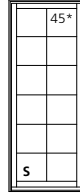


CNGPDR4068

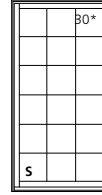
97 3/8" [2473]
98 29/32" [2512]
96 1/4" [2444]
95 1/2" [2426]
86 11/16" [2202]



CNGPDR2680



CNGPDR3080



CNGPDR4080

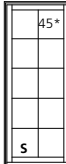
M.O. BRICKMOULD
M.O. ADAMS/FLAT CASING
ROUGH OPENING
FRAME SIZE
DAYLIGHT OPENING

37 1/16" [941]
40 1/8" [1019]
34 9/16" [878]
33 13/16" [859]
26" [660]

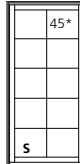
43 1/16" [1094]
46 1/8" [1172]
40 9/16" [1030]
39 13/16" [1011]
32" [813]

55 1/16" [1399]
58 1/8" [1476]
52 9/16" [1335]
51 13/16" [1316]
44" [1118]

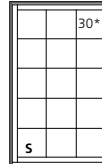
84 3/8" [2143]
85 29/32" [2182]
83 1/4" [2114]
82 1/2" [2096]
73 11/16" [1872]



CNGPDT2668

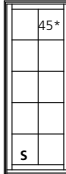


CNGPDT3068

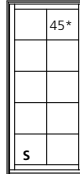


CNGPDT4068

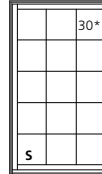
88 3/8" [2245]
89 29/32" [2284]
87 1/4" [2216]
86 1/2" [2197]
77 11/16" [1973]



CNGPDT2670

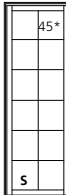


CNGPDT3070

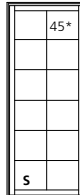


CNGPDT4070

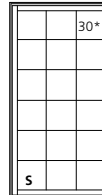
100 3/8" [2550]
101 29/32" [2588]
99 1/4" [2521]
98 1/2" [2502]
89 11/16" [2278]



CNGPDT2680



CNGPDT3080



CNGPDT4080

ELEVATION SYMBOL LEGEND:

M.O. = MASONRY OPENING

VALUES IN [] ARE IN MILLIMETER CONVERSIONS.

S PANEL IS AVAILABLE AS STATIONARY ONLY.

##* NUMBER INDICATES DESIGN PRESSURE (DP) RATING WITH STANDARD GLAZING.

Note: Elevations shown DO NOT have exterior trim. Subtract 1/2" (12.7) from M.O. (Masonry Opening) for Unit Sizes. Masonry Openings above include Sill Nose, see Trim Options page for Sill Nose specifications. For other Trim Options refer to the Unit Sizing, Rough Opening & Masonry Openings page.

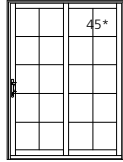
SCALE: 1/8" = 1'

NARROW STILE 2-PANEL

M.O. BRICKMOULD
M.O. ADAMS/FLAT CASING
ROUGH OPENING
FRAME SIZE
DAYLIGHT OPENING

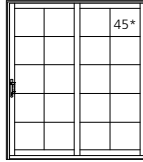
81 3/8" [2067]
82 29/32" [2106]
80 1/4" [2038]
79 1/2" [2019]
70 11/16" [1795]

61 7/8" [1572]
64 15/16" [1649]
59 3/8" [1508]
58 5/8" [1489]
24" [610]



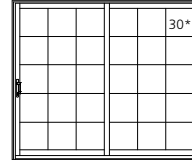
CNGPDR5068

73 7/8" [1876]
76 15/16" [1954]
71 3/8" [1813]
70 5/8" [1794]
30" [762]



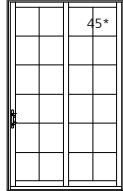
CNGPDR6068

97 7/8" [2486]
100 15/16" [2564]
95 3/8" [2422]
94 5/8" [2403]
42" [1067]

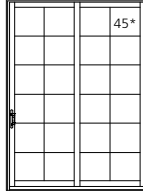


CNGPDR8068

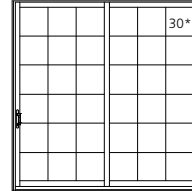
97 3/8" [2473]
98 29/32" [2512]
96 1/4" [2444]
95 1/2" [2426]
86 11/16" [2202]



CNGPDR5080



CNGPDR6080

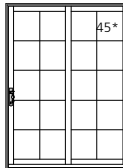


CNGPDR8080

M.O. BRICKMOULD
M.O. ADAMS/FLAT CASING
ROUGH OPENING
FRAME SIZE
DAYLIGHT OPENING

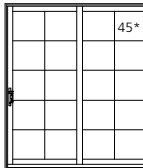
84 3/8" [2143]
85 29/32" [2182]
83 1/4" [2114]
82 1/2" [2096]
73 11/16" [1872]

65 7/8" [1673]
68 15/16" [1751]
63 3/8" [1609]
62 5/8" [1591]
26" [660]



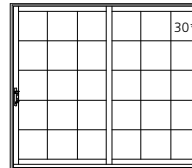
CNGPDT5068

77 7/8" [1978]
80 15/16" [2056]
75 3/8" [1914]
74 5/8" [1895]
32" [813]



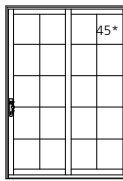
CNGPDT6068

101 7/8" [2588]
104 15/16" [2665]
99 3/8" [2524]
98 5/8" [2505]
44" [1118]

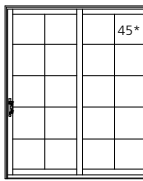


CNGPDT8068

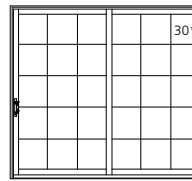
88 3/8" [2245]
89 29/32" [2284]
87 1/4" [2216]
86 1/2" [2197]
77 11/16" [1973]



CNGPDT5070

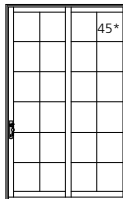


CNGPDT6070

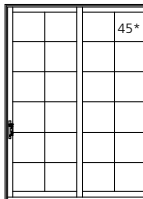


CNGPDT8070

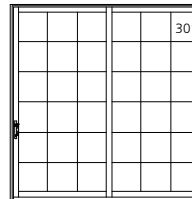
100 3/8" [2550]
101 29/32" [2588]
99 1/4" [2521]
98 1/2" [2502]
89 11/16" [2278]



CNGPDT5080



CNGPDT6080



CNGPDT8080

ELEVATION SYMBOL LEGEND:

M.O. = MASONRY OPENING

VALUES IN [] ARE IN MILLIMETER CONVERSIONS.

NUMBER INDICATES DESIGN PRESSURE (DP) RATING WITH STANDARD GLAZING.

Note: Elevations shown DO NOT have exterior trim. Subtract 1/2" (12.7) from M.O. (Masonry Opening) for Unit Sizes. Masonry Openings above include Sill Nose, see Trim Options page for Sill Nose specifications. For other Trim Options refer to the Unit Sizing, Rough Opening & Masonry Openings page.

SCALE: 1/8" = 1'

NARROW STILE 3-PANEL

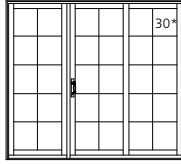
M.O. BRICKMOULD
M.O. ADAMS/FLAT CASING
ROUGH OPENING
FRAME SIZE
DAYLIGHT OPENING

92 5/8" [2353]
95 11/16" [2430]
90 1/8" [2289]
89 3/8" [2270]
24" [610]

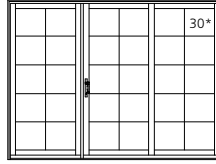
110 5/8" [2810]
113 11/16" [2888]
108 1/8" [2746]
107 3/8" [2727]
30" [762]

146 5/8" [3724]
149 11/16" [3802]
144 1/8" [3660]
143 3/8" [3642]
42" [1067]

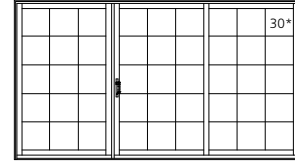
81 3/8" [2067]
82 29/32" [2106]
80 1/4" [2038]
79 1/2" [2019]
70 1 1/16" [1795]



CNGPDR7668

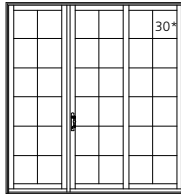


CNGPDR9068

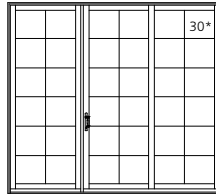


CNGPDR12068

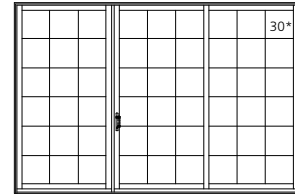
97 3/8" [2473]
98 29/32" [2512]
96 1/4" [2444]
95 1/2" [2426]
86 11/16" [2202]



CNGPDR7680



CNGPDR9080



CNGPDR12080

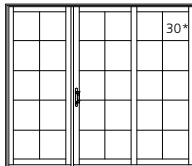
M.O. BRICKMOULD
M.O. ADAMS/FLAT CASING
ROUGH OPENING
FRAME SIZE
DAYLIGHT OPENING

98 5/8" [2505]
101 11/16" [2583]
96 1/8" [2441]
95 3/8" [2423]
26" [660]

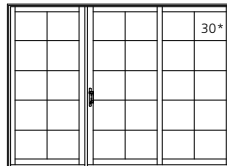
116 5/8" [2962]
119 11/16" [3040]
114 1/8" [2898]
113 3/8" [2880]
32" [813]

152 5/8" [3877]
155 11/16" [3954]
150 1/8" [3813]
149 3/8" [3794]
44" [1118]

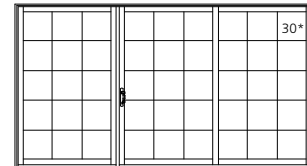
84 3/8" [2143]
85 29/32" [2182]
83 1/4" [2114]
82 1/2" [2096]
73 1 1/16" [1872]



CNGPDT7668

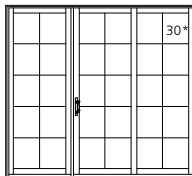


CNGPDT9068

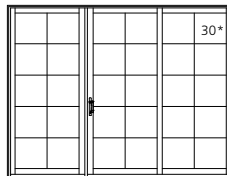


CNGPDT12068

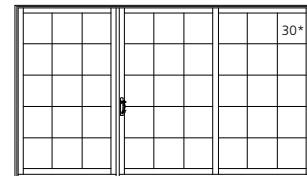
88 3/8" [2245]
89 29/32" [2284]
87 1/4" [2216]
86 1/2" [2197]
77 11/16" [1973]



CNGPDT7670

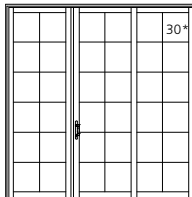


CNGPDT9070

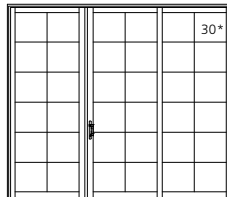


CNGPDT12070

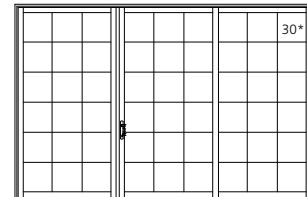
100 3/8" [2550]
101 29/32" [2588]
99 1/4" [2521]
98 1/2" [2502]
89 1 1/16" [2278]



CNGPDT7680



CNGPDT9080



CNGPDT12080

ELEVATION SYMBOL LEGEND:

M.O. = MASONRY OPENING

VALUES IN [] ARE IN MILLIMETER CONVERSIONS.

NUMBER INDICATES DESIGN PRESSURE (DP) RATING WITH STANDARD GLAZING.

Note: Elevations shown DO NOT have exterior trim. Subtract 1/2" (12.7) from M.O. (Masonry Opening) for Unit Sizes. Masonry Openings above include Sill Nose, see Trim Options page for Sill Nose specifications. For other Trim Options refer to the Unit Sizing, Rough Opening & Masonry Openings page.

SCALE: 1/8" = 1'

NARROW STILE 4-PANEL

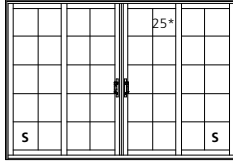
M.O. BRICKMOULD
M.O. ADAMS/FLAT CASING
ROUGH OPENING
FRAME SIZE
DAYLIGHT OPENING

119 5/16" [3031]
122 3/8" [3108]
116 13/16" [2968]
116 1/16" [2948]
24" [610]

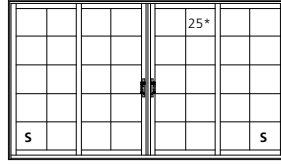
143 5/16" [3640]
146 3/8" [3718]
140 13/16" [3576]
140 1/16" [3558]
30" [762]

191 5/16" [4859]
194 3/8" [4937]
188 13/16" [4795]
188 1/16" [4777]
42" [1067]

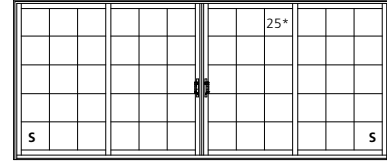
81 3/8" [2067]
82 29/32" [2106]
80 1/4" [2038]
79 1/2" [2019]
70 11/16" [1795]



CNGPDR10068Q

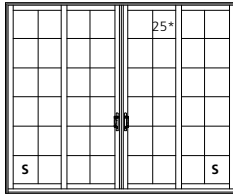


CNGPDR12068Q

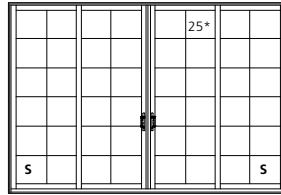


CNGPDR16068Q

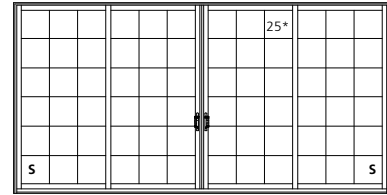
97 3/8" [2473]
98 29/32" [2512]
96 1/4" [2444]
95 1/2" [2426]
86 11/16" [2202]



CNGPDR10080Q



CNGPDR12080Q



CNGPDR16080Q

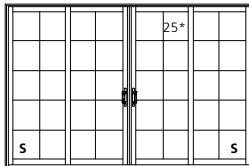
M.O. BRICKMOULD
M.O. ADAMS/FLAT CASING
ROUGH OPENING
FRAME SIZE
DAYLIGHT OPENING

127 5/16" [3234]
130 3/8" [3312]
124 13/16" [3170]
124 1/16" [3151]
26" [660]

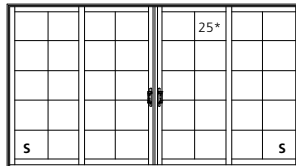
151 5/16" [3843]
154 3/8" [3921]
148 13/16" [3779]
148 1/16" [3761]
32" [813]

199 5/16" [5063]
202 3/8" [5140]
196 13/16" [4999]
196 1/16" [4980]
44" [1118]

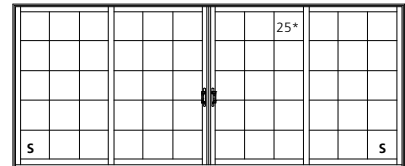
84 3/8" [2143]
85 29/32" [2182]
83 1/4" [2114]
82 1/2" [2096]
73 11/16" [1872]



CNGPDT10068Q

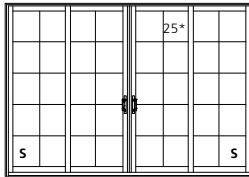


CNGPDT12068Q

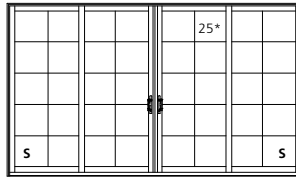


CNGPDT16068Q

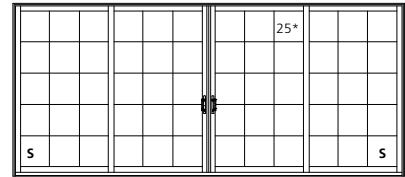
88 3/8" [2245]
89 29/32" [2284]
87 1/4" [2216]
86 1/2" [2197]
77 11/16" [1973]



CNGPDT10070Q

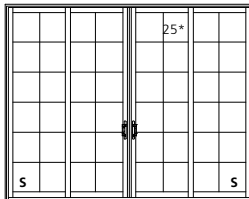


CNGPDT12070Q

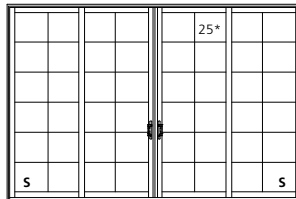


CNGPDT16070Q

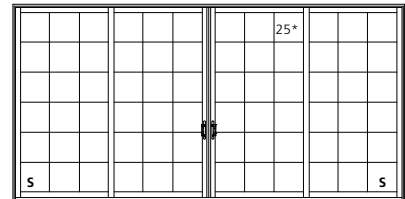
100 3/8" [2550]
101 29/32" [2588]
99 1/4" [2521]
98 1/2" [2502]
89 11/16" [2278]



CNGPDT10080Q



CNGPDT12080Q



CNGPDT16080Q

ELEVATION SYMBOL LEGEND:

M.O. = MASONRY OPENING
VALUES IN [] ARE IN MILLIMETER CONVERSIONS.
S PANEL IS AVAILABLE AS STATIONARY ONLY.

##* NUMBER INDICATES DESIGN PRESSURE (DP) RATING WITH STANDARD GLAZING.

Note: Elevations shown DO NOT have exterior trim. Subtract 1/2" (12.7) from M.O. (Masonry Opening) for Unit Sizes. Masonry Openings above include Sill Nose, see Trim Options page for Sill Nose specifications. For other Trim Options refer to the Unit Sizing, Rough Opening & Masonry Openings page.

SCALE: 1/8" = 1'

WIDE STILE 1-PANEL

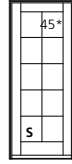
M.O. BRICKMOUND
M.O. ADAMS/FLAT CASING
ROUGH OPENING
FRAME SIZE
DAYLIGHT OPENING

36" [914]
39 1/16" [992]
32 1/2" [851]
32 3/4" [832]
21 3/16" [538]

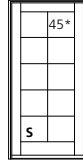
42" [1067]
45 1/16" [1145]
39 1/2" [1003]
38 3/4" [984]
27 3/16" [691]

54" [1372]
57 1/16" [1449]
51 1/2" [1308]
50 3/4" [1289]
39 3/16" [995]

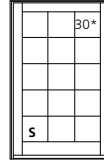
81 3/8" [2067]
82 29/32" [2106]
80 1/4" [2038]
79 1/2" [2019]
64 15/16" [1649]



CWGPDR2668

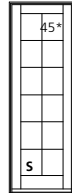


CWGPDR3068

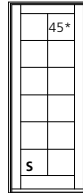


CWGPDR4068

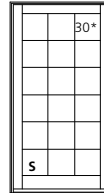
97 3/8" [2473]
98 29/32" [2512]
96 1/4" [2444]
95 1/2" [2426]
80 15/16" [2056]



CWGPDR2680



CWGPDR3080



CWGPDR4080

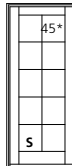
M.O. BRICKMOUND
M.O. ADAMS/FLAT CASING
ROUGH OPENING
FRAME SIZE
DAYLIGHT OPENING

38" [965]
41 1/16" [1043]
35 1/2" [901]
34 3/4" [883]
23 3/16" [589]

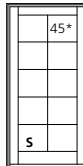
44" [1118]
47 1/16" [1195]
41 1/2" [1054]
40 3/4" [1035]
29 3/16" [741]

56" [1422]
59 1/16" [1500]
53 1/2" [1359]
52 3/4" [1340]
41 3/16" [1046]

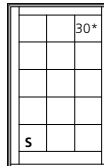
84 3/8" [2143]
85 29/32" [2182]
83 1/4" [2114]
82 1/2" [2096]
67 15/16" [1726]



CWGPDT2668

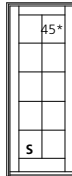


CWGPDT3068

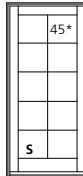


CWGPDT4068

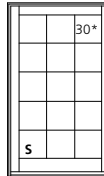
88 3/8" [2245]
89 29/32" [2284]
87 1/4" [2216]
86 1/2" [2197]
71 15/16" [1827]



CWGPDT2670

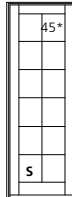


CWGPDT3070

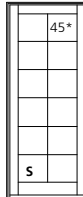


CWGPDT4070

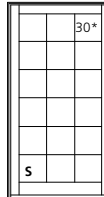
100 3/8" [2550]
101 29/32" [2588]
99 1/4" [2521]
98 1/2" [2502]
83 15/16" [2132]



CWGPDT2680



CWGPDT3080



CWGPDT4080

ELEVATION SYMBOL LEGEND:

M.O. = MASONRY OPENING

VALUES IN [] ARE IN MILLIMETER CONVERSIONS.

S PANEL IS AVAILABLE AS STATIONARY ONLY.

NUMBER INDICATES DESIGN PRESSURE (DP) RATING WITH STANDARD GLAZING.

Note: Elevations shown DO NOT have exterior trim. Subtract 1/2" (12.7) from M.O. (Masonry Opening) for Unit Sizes. Masonry Openings above include Sill Nose, see Trim Options page for Sill Nose specifications. For other Trim Options refer to the Unit Sizing, Rough Opening & Masonry Openings page.

SCALE: 1/8" = 1'

WIDE STILE 2-PANEL

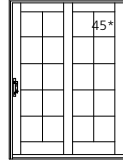
M.O. BRICKMOULD
M.O. ADAMS/FLAT CASING
ROUGH OPENING
FRAME SIZE
DAYLIGHT OPENING

61 7/8" [1572]
64 15/16" [1649]
59 3/8" [1508]
58 5/8" [1489]
21 3/16" [538]

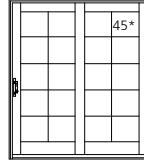
73 7/8" [1876]
76 15/16" [1954]
71 3/8" [1813]
70 5/8" [1794]
27 3/16" [691]

97 7/8" [2486]
100 15/16" [2564]
95 3/8" [2422]
94 5/8" [2403]
39 3/16" [995]

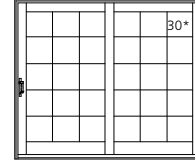
81 3/8" [2067]
82 29/32" [2106]
80 1/4" [2038]
79 1/2" [2019]
64 15/16" [1649]



CWGPDR5068

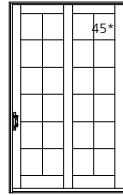


CWGPDR6068

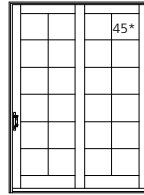


CWGPDR8068

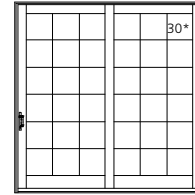
97 3/8" [2473]
98 29/32" [2512]
96 1/4" [2444]
95 1/2" [2426]
80 15/16" [2056]



CWGPDR5080



CWGPDR6080



CWGPDR8080

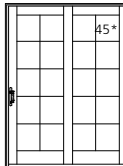
M.O. BRICKMOULD
M.O. ADAMS/FLAT CASING
ROUGH OPENING
FRAME SIZE
DAYLIGHT OPENING

65 7/8" [1673]
68 15/16" [1751]
63 3/8" [1609]
62 5/8" [1591]
23 3/16" [589]

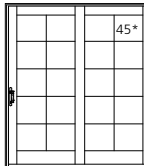
77 7/8" [1978]
80 15/16" [2056]
75 3/8" [1914]
74 5/8" [1895]
29 3/16" [741]

101 7/8" [2588]
104 15/16" [2665]
99 3/8" [2524]
98 5/8" [2505]
41 3/16" [1046]

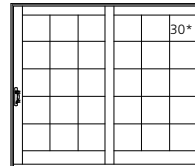
84 3/8" [2143]
85 29/32" [2182]
83 1/4" [2114]
82 1/2" [2096]
67 15/16" [1726]



CWGPDT5068

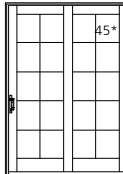


CWGPDT6068

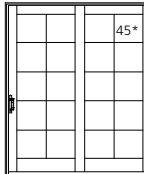


CWGPDT8068

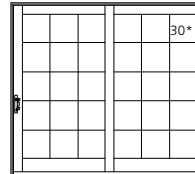
88 3/8" [2245]
89 29/32" [2284]
87 1/4" [2216]
86 1/2" [2197]
71 15/16" [1827]



CWGPDT5070

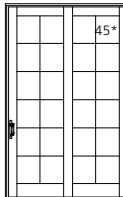


CWGPDT6070

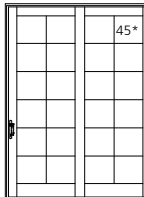


CWGPDT8070

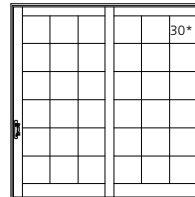
100 3/8" [2550]
101 29/32" [2588]
99 1/4" [2521]
98 1/2" [2502]
83 15/16" [2132]



CWGPDT5080



CWGPDT6080



CWGPDT8080

ELEVATION SYMBOL LEGEND:

M.O. = MASONRY OPENING

VALUES IN [] ARE IN MILLIMETER CONVERSIONS.

##* NUMBER INDICATES DESIGN PRESSURE (DP) RATING WITH STANDARD GLAZING.

Note: Elevations shown DO NOT have exterior trim. Subtract 1/2" (12.7) from M.O. (Masonry Opening) for Unit Sizes. Masonry Openings above include Sill Nose, see Trim Options page for Sill Nose specifications. For other Trim Options refer to the Unit Sizing, Rough Opening & Masonry Openings page.

SCALE: 1/8" = 1'

WIDE STILE 3-PANEL

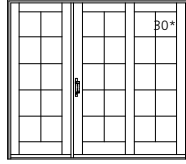
M.O. BRICKMOULD
M.O. ADAMS/FLAT CASING
ROUGH OPENING
FRAME SIZE
DAYLIGHT OPENING

93 9/16" [2376]
96 5/8" [2454]
91 1/16" [2313]
90 5/16" [2294]
21 3/16" [538]

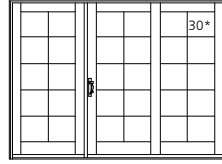
111 9/16" [2834]
114 5/8" [2911]
109 1/16" [2770]
108 5/16" [2751]
27 3/16" [691]

147 9/16" [3748]
150 5/8" [3826]
145 1/16" [3684]
144 5/16" [3666]
39 3/16" [995]

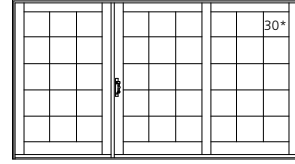
81 3/8" [2067]
82 29/32" [2106]
80 1/4" [2038]
79 1/2" [2019]
64 15/16" [1649]



CWGPDR7668

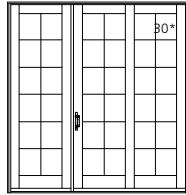


CWGPDR9068

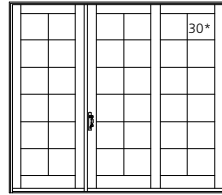


CWGPDR12068

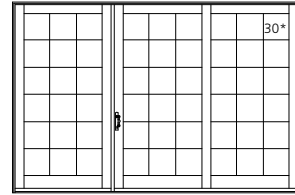
67 3/8" [1713]
98 29/32" [2512]
96 1/4" [2444]
95 1/2" [2426]
80 15/16" [2056]



CWGPDR7680



CWGPDR9080



CWGPDR12080

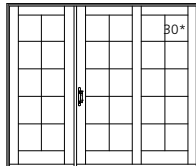
M.O. BRICKMOULD
M.O. ADAMS/FLAT CASING
ROUGH OPENING
FRAME SIZE
DAYLIGHT OPENING

99 9/16" [2529]
102 5/8" [2607]
97 1/16" [2465]
96 5/16" [2446]
23 3/16" [589]

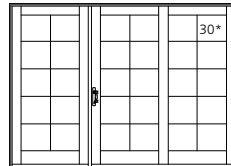
117 9/16" [2986]
120 5/8" [3051]
115 1/16" [2922]
114 5/16" [2904]
29 3/16" [741]

153 9/16" [3900]
156 5/8" [3978]
151 1/16" [3837]
150 5/16" [3818]
41 3/16" [1046]

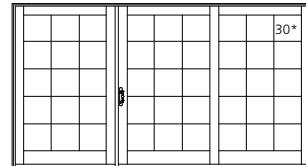
84 3/8" [2143]
85 29/32" [2182]
83 1/4" [2114]
82 1/2" [2096]
67 15/16" [1726]



CWGPDT7668

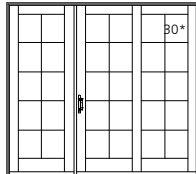


CWGPDT9068

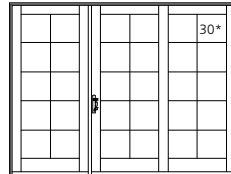


CWGPDT12068

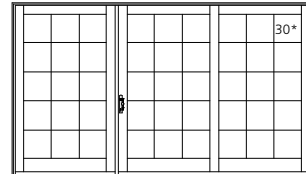
88 3/8" [2245]
89 29/32" [2284]
87 1/4" [2216]
86 1/2" [2197]
71 15/16" [1827]



CWGPDT7670

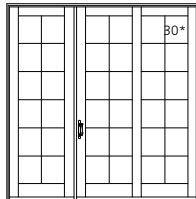


CWGPDT9070

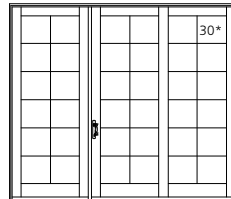


CWGPDT12070

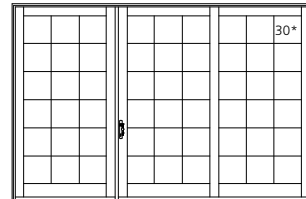
100 3/8" [2550]
101 29/32" [2588]
99 1/4" [2521]
98 1/2" [2502]
83 15/16" [2132]



CWGPDT7680



CWGPDT9080



CWGPDT12080

ELEVATION SYMBOL LEGEND:

M.O. = MASONRY OPENING

VALUES IN [] ARE IN MILLIMETER CONVERSIONS.

##* NUMBER INDICATES DESIGN PRESSURE (DP) RATING WITH STANDARD GLAZING.

Note: Elevations shown DO NOT have exterior trim. Subtract 1/2" (12.7) from M.O. (Masonry Opening) for Unit Sizes. Masonry Openings above include Sill Nose, see Trim Options page for Sill Nose specifications. For other Trim Options refer to the Unit Sizing, Rough Opening & Masonry Openings page.

SCALE: 1/8" = 1'

WIDE STILE 4-PANEL

M.O. BRICKMOULD
M.O. ADAMS/FLAT CASING
ROUGH OPENING
FRAME SIZE
DAYLIGHT OPENING

119 5/16" [3031]
 122 3/8" [3108]
 116 13/16" [2968]
 116 1/16" [2948]
 21 3/16" [538]

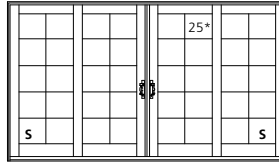
143 5/16" [3640]
 146 3/8" [3718]
 140 13/16" [3576]
 140 1/16" [3558]
 27 3/16" [691]

191 5/16" [4859]
 194 3/8" [4937]
 188 13/16" [4795]
 188 1/16" [4777]
 39 3/16" [995]

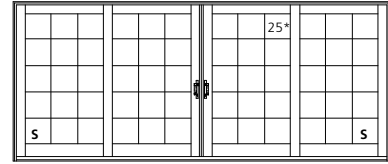
81 3/8" [2067]
 82 29/32" [2106]
 80 1/4" [2038]
 79 1/2" [2019]
 64 15/16" [1649]



CWGPDR10068Q

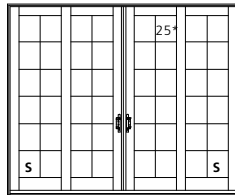


CWGPDR12068Q

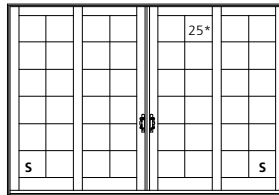


CWGPDR16068Q

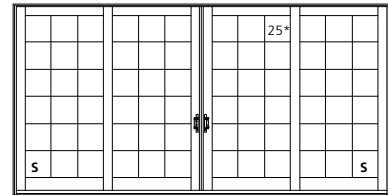
97 3/8" [2473]
 98 29/32" [2512]
 96 1/4" [2444]
 95 1/2" [2426]
 80 15/16" [2056]



CWGPDR10080Q



CWGPDR12080Q



CWGPDR16080Q

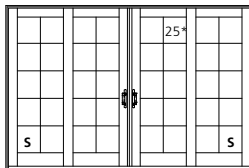
M.O. BRICKMOULD
M.O. ADAMS/FLAT CASING
ROUGH OPENING
FRAME SIZE
DAYLIGHT OPENING

127 5/16" [3234]
 130 3/8" [3312]
 124 13/16" [3170]
 124 1/16" [3151]
 23 3/16" [589]

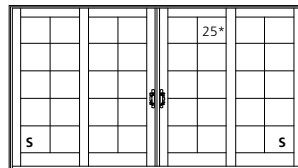
151 5/16" [3843]
 154 3/8" [3921]
 148 13/16" [3779]
 148 1/16" [3761]
 29 3/16" [741]

199 5/16" [5063]
 202 3/8" [5140]
 196 13/16" [4999]
 196 1/16" [4980]
 41 3/16" [1046]

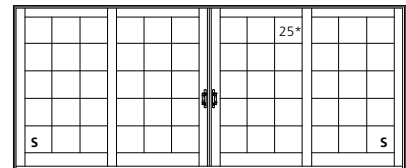
84 3/8" [2143]
 85 29/32" [2182]
 83 1/4" [2114]
 82 1/2" [2096]
 67 15/16" [1726]



CWGPDT10068Q

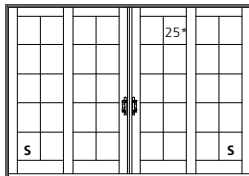


CWGPDT12068Q

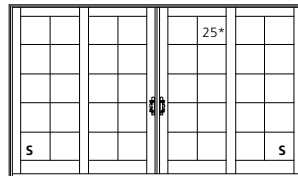


CWGPDT16068Q

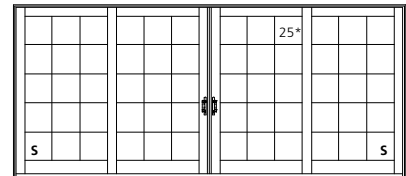
88 3/8" [2245]
 89 29/32" [2284]
 87 1/4" [2216]
 86 1/2" [2197]
 71 15/16" [1827]



CWGPDT10070Q

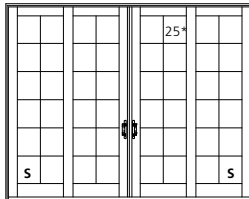


CWGPDT12070Q

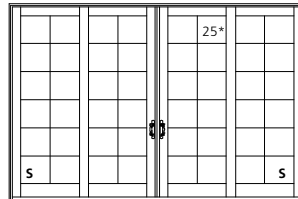


CWGPDT16070Q

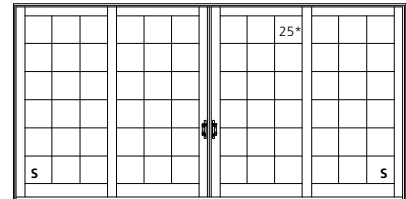
100 3/8" [2550]
 101 29/32" [2588]
 99 1/4" [2521]
 98 1/2" [2502]
 83 15/16" [2132]



CWGPDT10080Q



CWGPDT12080Q



CWGPDT16080Q

ELEVATION SYMBOL LEGEND:

M.O. = MASONRY OPENING

VALUES IN [] ARE IN MILLIMETER CONVERSIONS.

S PANEL IS AVAILABLE AS STATIONARY ONLY.

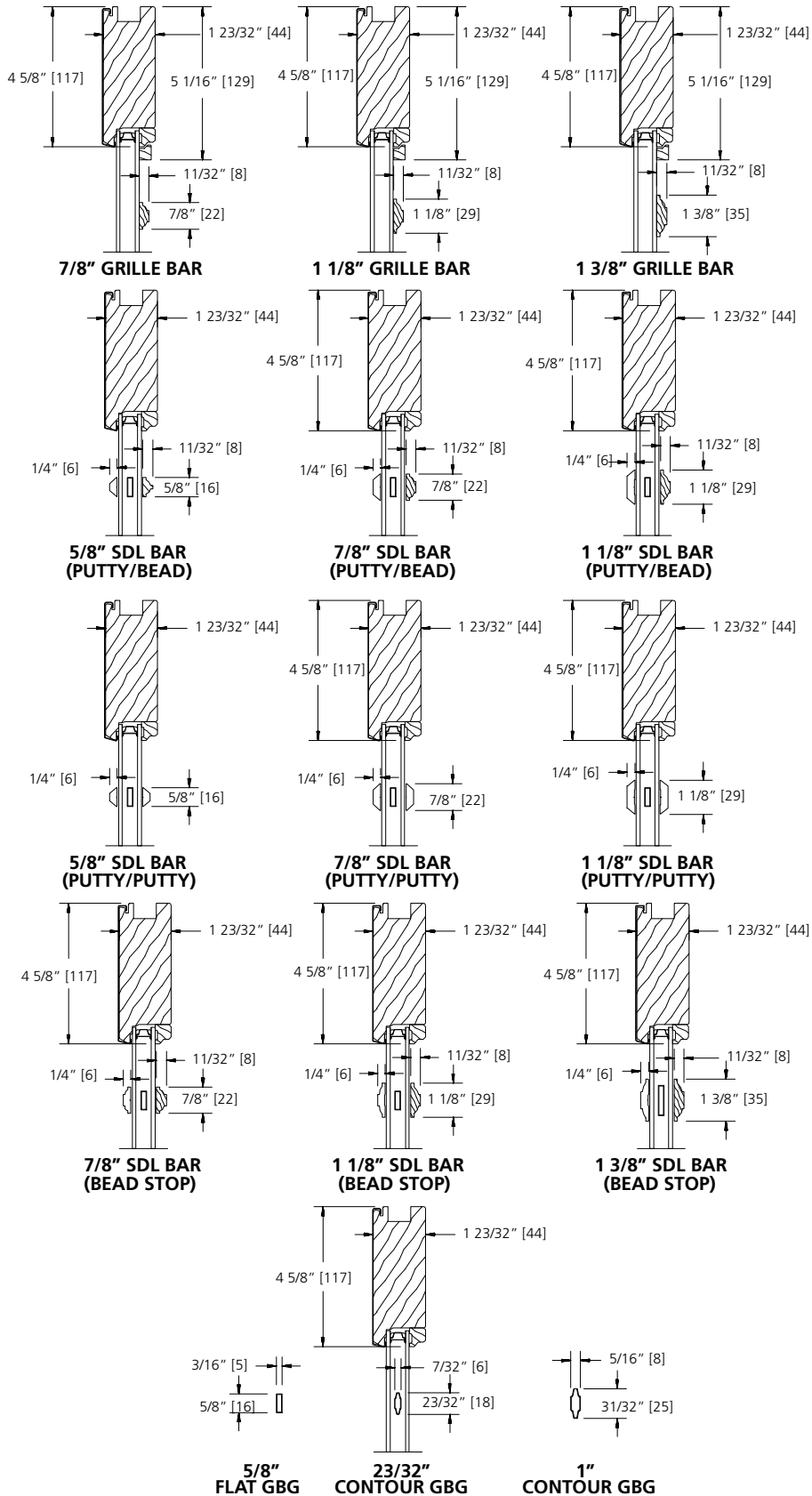
##* NUMBER INDICATES DESIGN PRESSURE (DP) RATING WITH STANDARD GLAZING.

Note: Elevations shown DO NOT have exterior trim. Subtract 1/2" (12.7) from M.O. (Masonry Opening) for Unit Sizes. Masonry Openings above include Sill Nose, see Trim Options page for Sill Nose specifications. For other Trim Options refer to the Unit Sizing, Rough Opening & Masonry Openings page.

SCALE: 1/8" = 1'

GLAZING OPTIONS

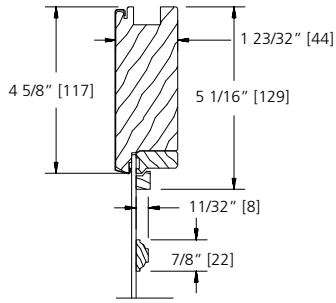
INTERIOR GLAZED
INSULATED 3/4" [19] GLASS



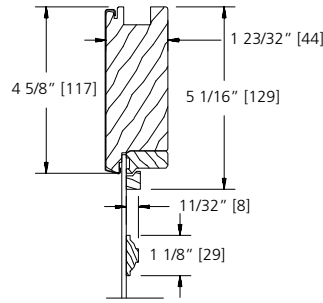
SCALE: NTS

GLAZING OPTIONS

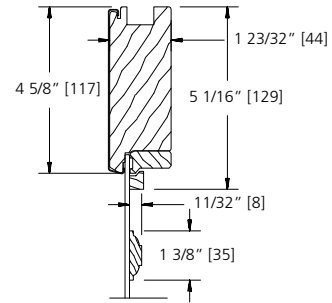
INTERIOR GLAZED
SINGLE 1/8" [3] GLASS



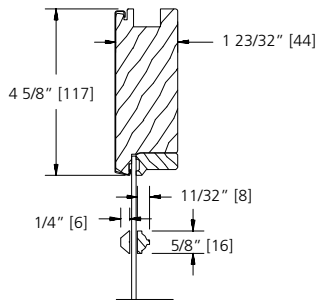
7/8" GRILLE BAR



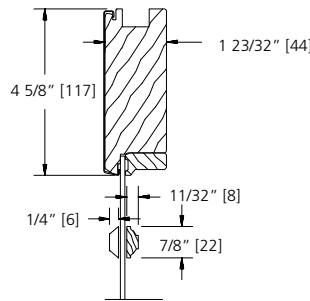
1 1/8" GRILLE BAR



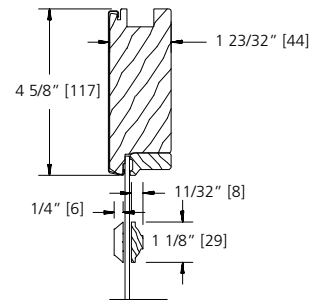
1 3/8" GRILLE BAR



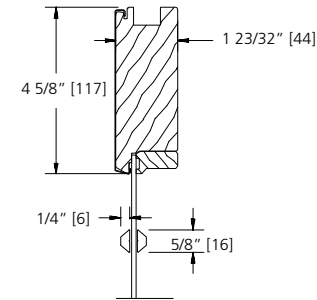
**5/8" SDL BAR
(PUTTY/BEAD)**



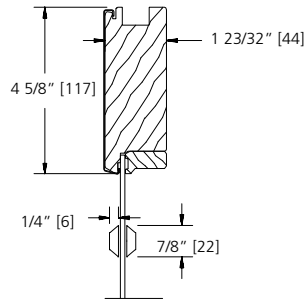
**7/8" SDL BAR
(PUTTY/BEAD)**



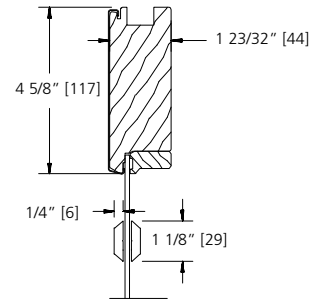
**1 1/8" SDL BAR
(PUTTY/BEAD)**



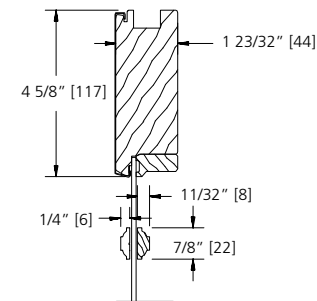
**5/8" SDL BAR
(PUTTY/PUTTY)**



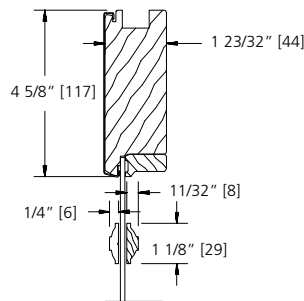
**7/8" SDL BAR
(PUTTY/PUTTY)**



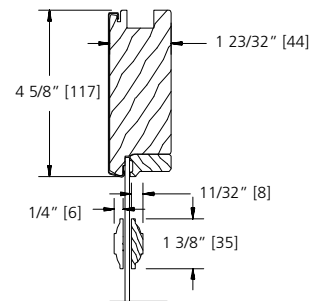
**1 1/8" SDL BAR
(PUTTY/PUTTY)**



**7/8" SDL BAR
(BEAD STOP)**



**1 1/8" SDL BAR
(BEAD STOP)**

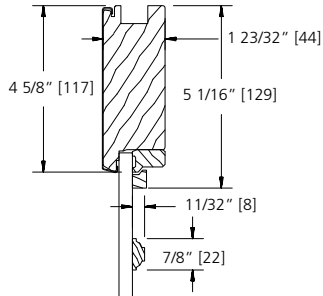


**1 3/8" SDL BAR
(BEAD STOP)**

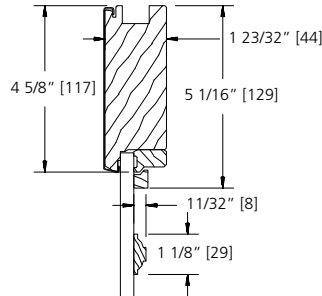
SCALE: NTS

GLAZING OPTIONS

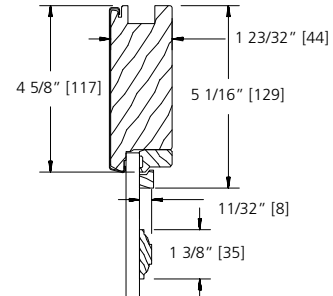
INTERIOR GLAZED
IMPACT RESISTANT GLASS



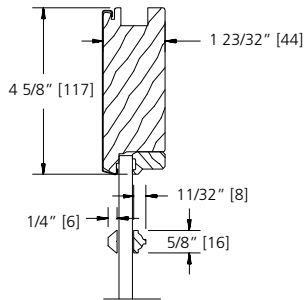
7/8" GRILLE BAR



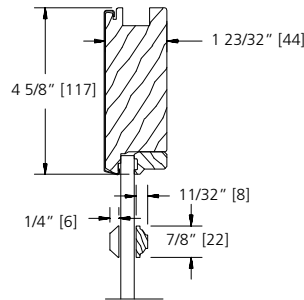
1 1/8" GRILLE BAR



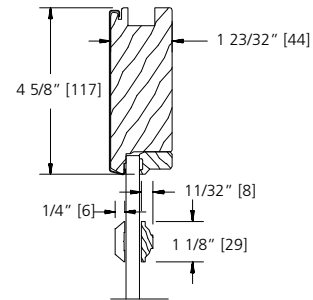
1 3/8" GRILLE BAR



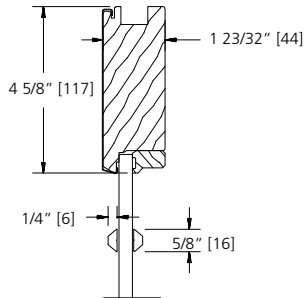
**5/8" SDL BAR
(PUTTY/BEAD)**



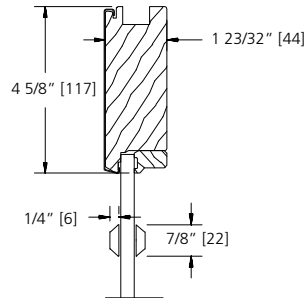
**7/8" SDL BAR
(PUTTY/BEAD)**



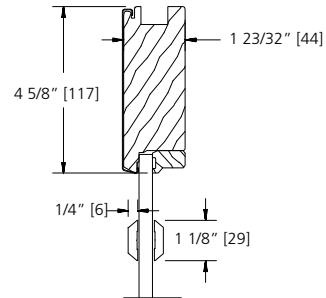
**1 1/8" SDL BAR
(PUTTY/BEAD)**



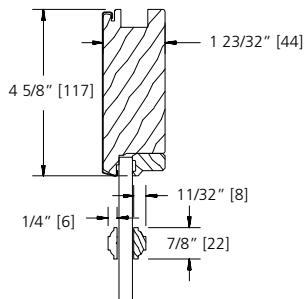
**5/8" SDL BAR
(PUTTY/PUTTY)**



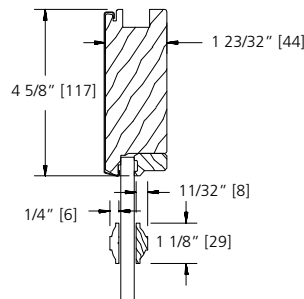
**7/8" SDL BAR
(PUTTY/PUTTY)**



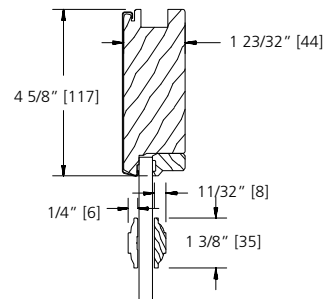
**1 1/8" SDL BAR
(PUTTY/PUTTY)**



**7/8" SDL BAR
(BEAD STOP)**



**1 1/8" SDL BAR
(BEAD STOP)**

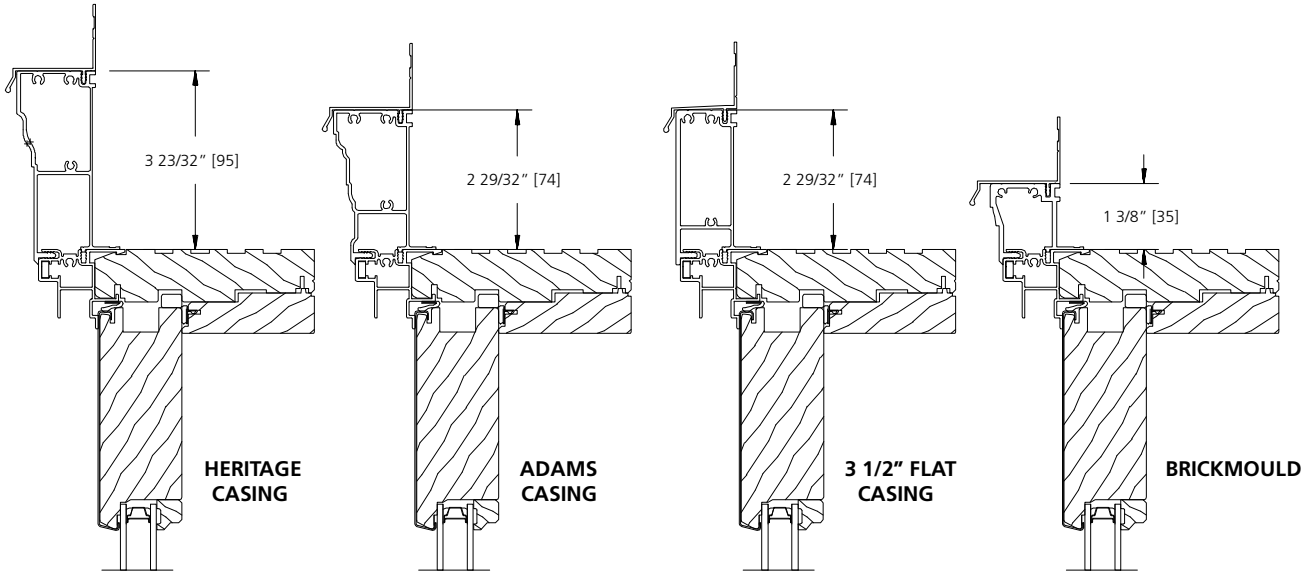


**1 3/8" SDL BAR
(BEAD STOP)**

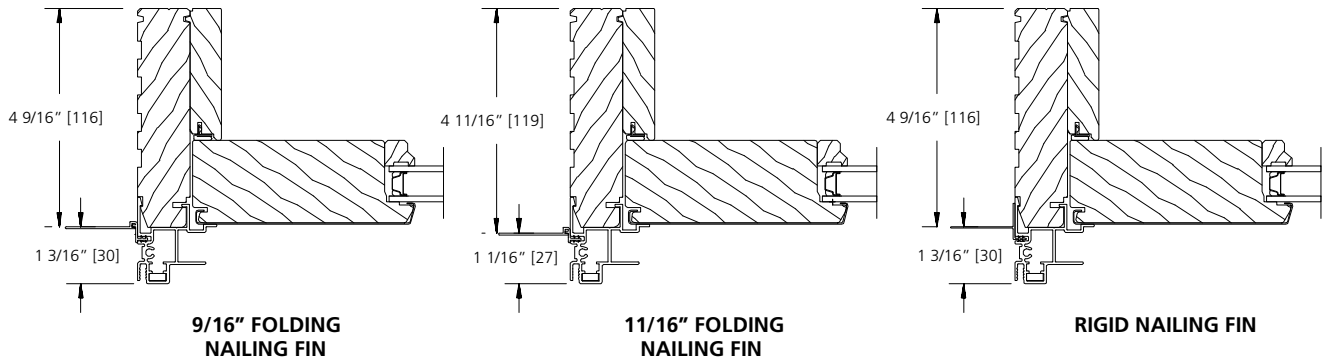
SCALE: NTS

TRIM OPTIONS

EXTERIOR TRIM

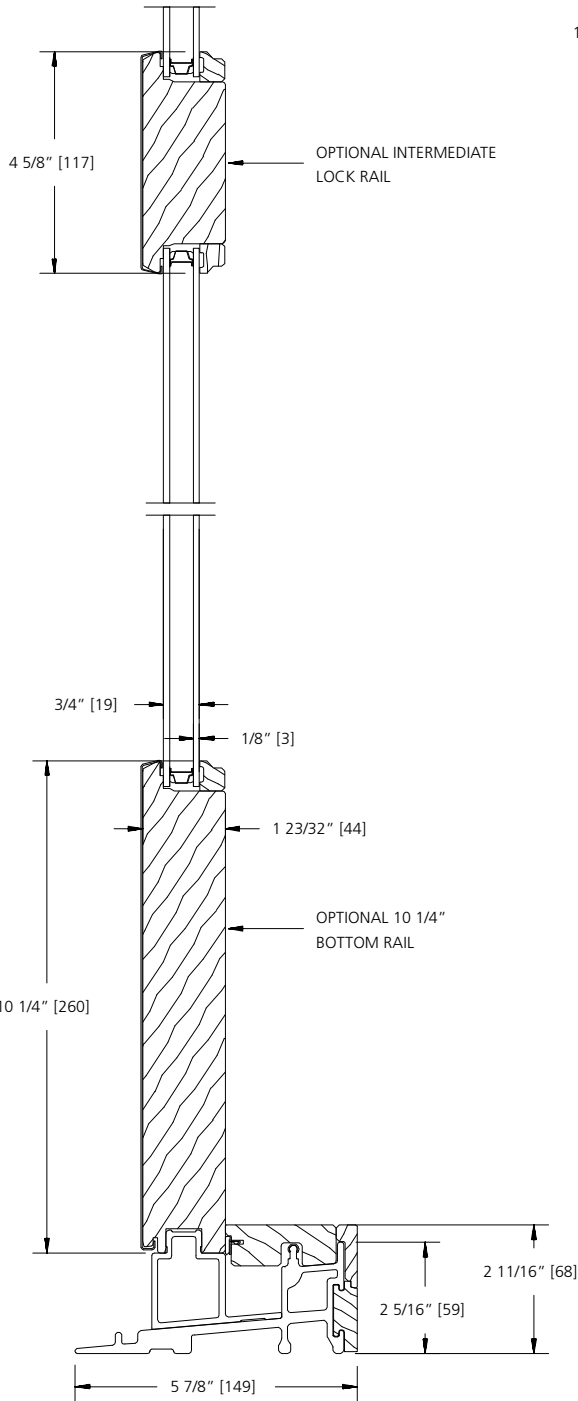


NAILING FIN OPTIONS

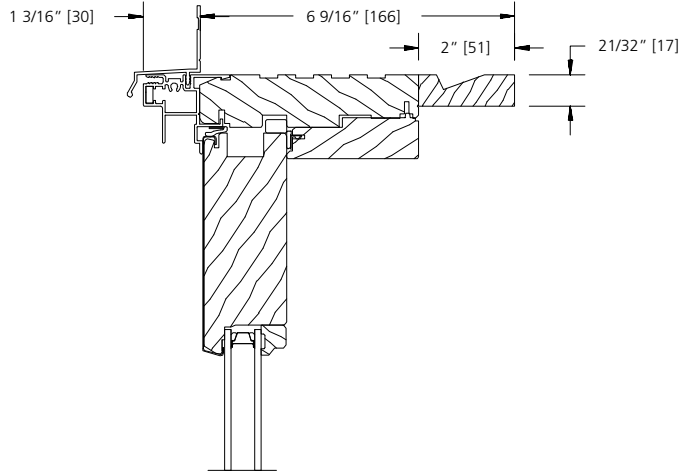


SCALE: 3" = 1'

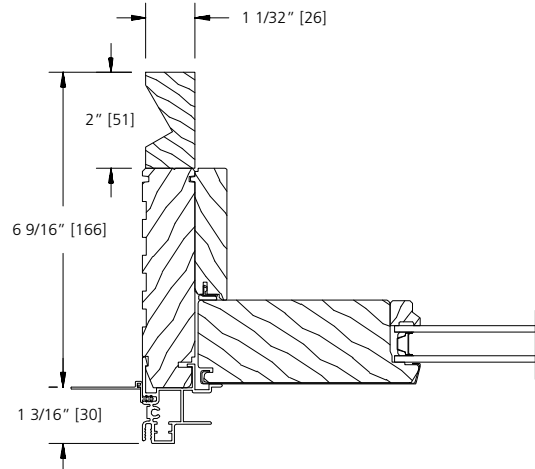
RAIL & JAMB OPTIONS



**OPTIONAL 10 1/4" BOTTOM RAIL
STANDARD SILL (4 9/16 JAMB)**



**HEAD JAMB EXTENDER
4/4 (6 9/16 JAMB)**

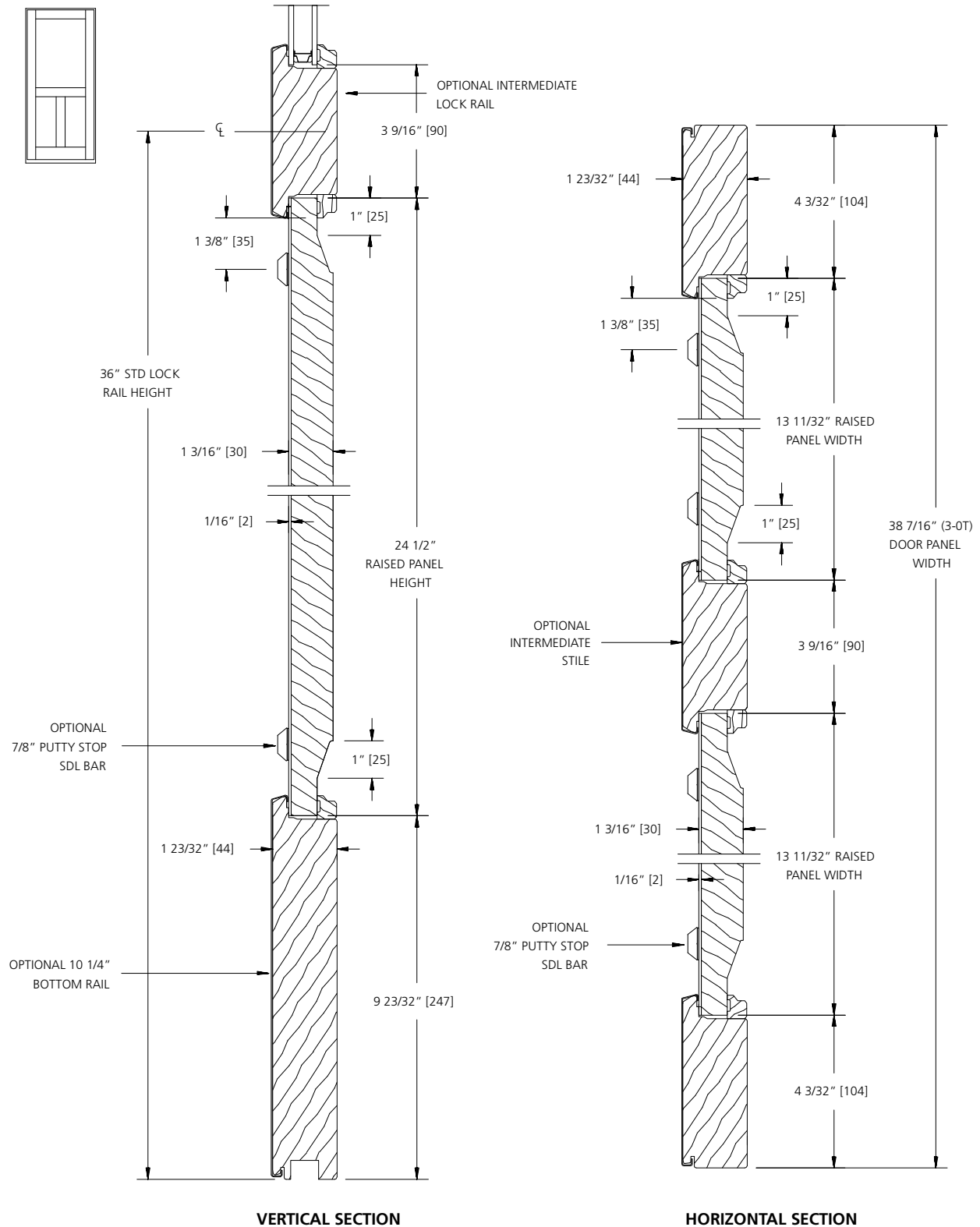


**SIDE JAMB EXTENDER
5/4 (6 9/16 JAMB)**

SCALE: 3" = 1'

RAISED PANEL OPTIONS

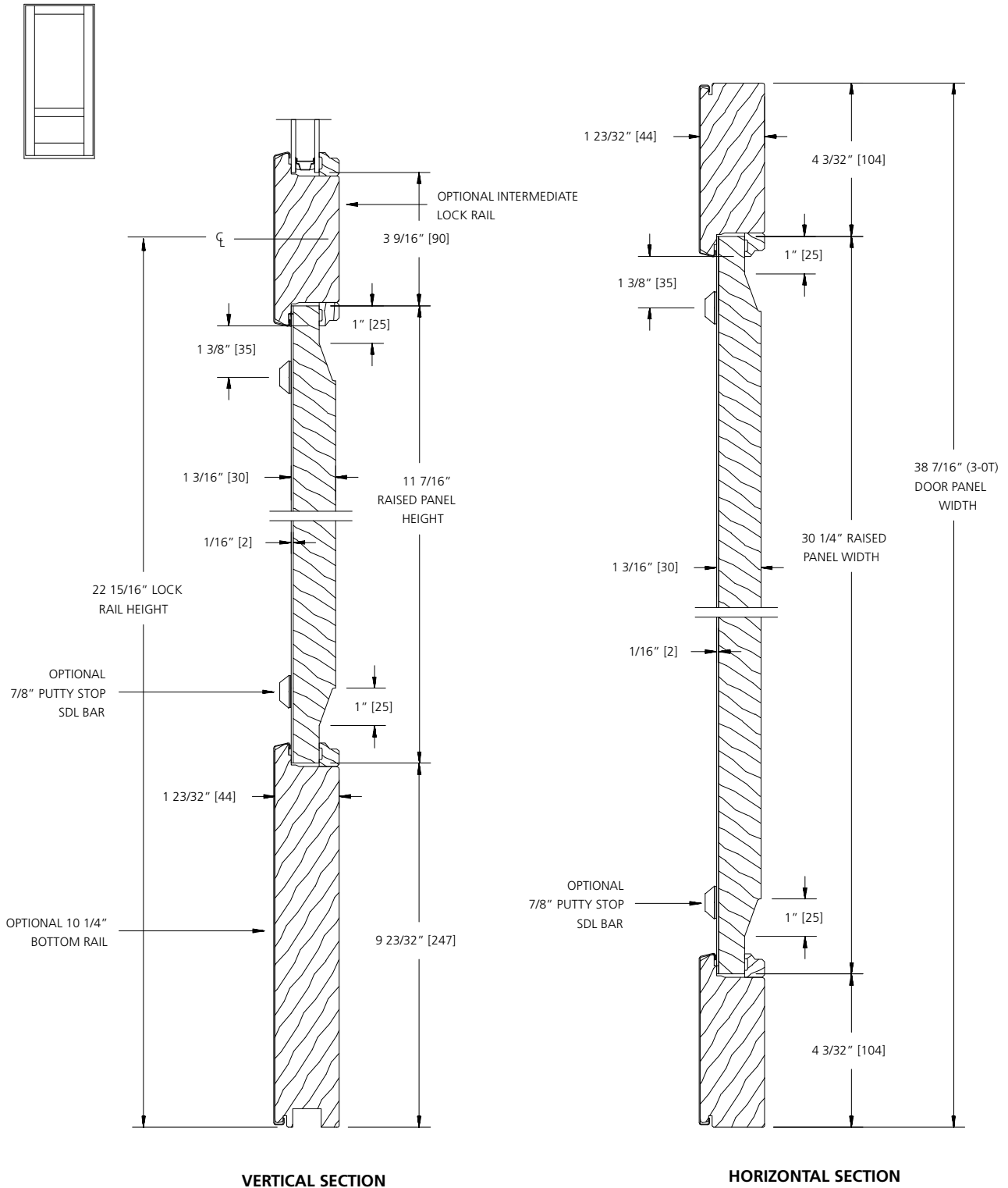
STANDARD RAISED PANEL OPTIONS



SCALE: 3" = 1'

RAISED PANEL OPTIONS

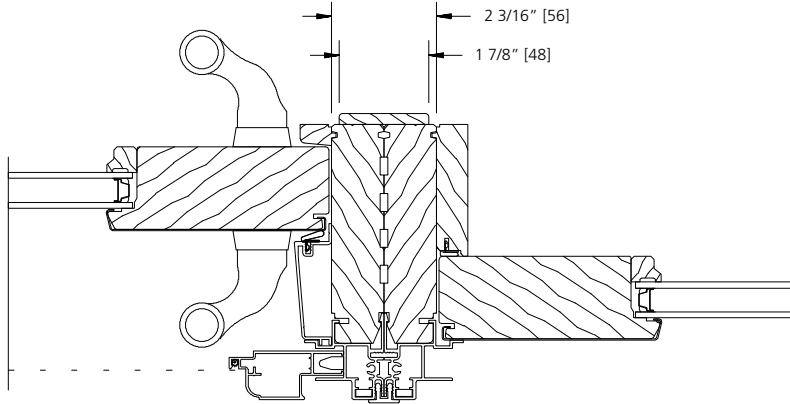
OPTIONAL RAISED PANEL OPTIONS



SCALE: 3" = 1'

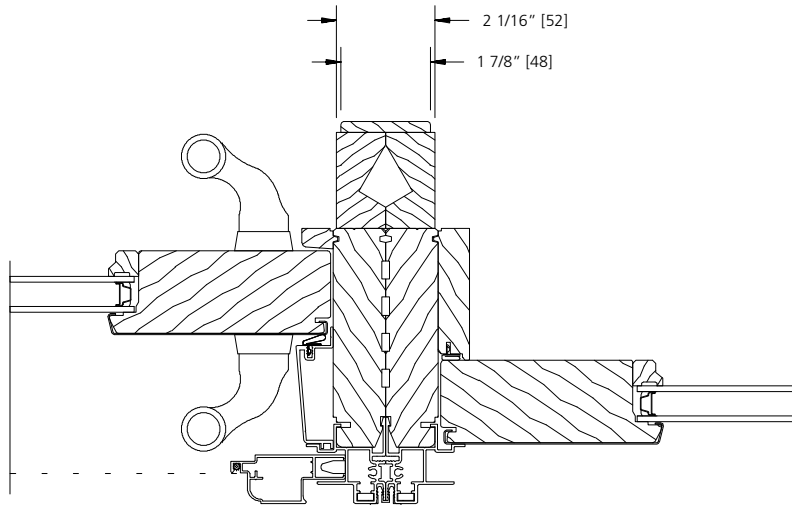
STANDARD MULLION DETAILS

4 9/16" JAMB



SIDE JAMB

6 9/16" JAMB



SIDE JAMB

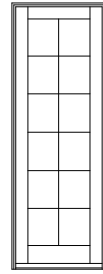
SCALE: 3" = 1'

LITE CUT INFORMATION

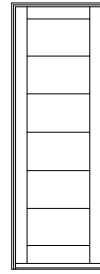
Clad gliding patio doors are available with removable grilles in 5/8", 7/8", 1-1/8", and 1-3/8" widths, with GBG (Grilles between the Glass), or with Simulated Divided Lites. Standard lite cuts are rectangular.

LITE CUT OPTIONS

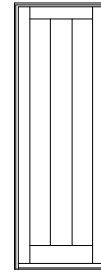
Special lite cut patterns can include a wide variety of straight line and radius patterns. The illustrations shown here represent just a few of the possibilities. Rectangular, horizontal, vertical and Prairie lite patterns are available in all standard size clad gliding patio doors. Uneven, diamond, radius and Gothic lite cuts are available, subject to approval. Approvals are based on the ability to fulfill the design requirement while maintaining the construction integrity of the finished product.



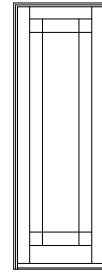
RECTANGULAR



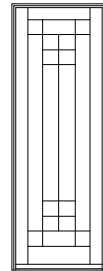
HORIZONTAL



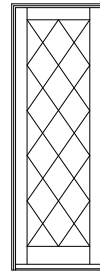
VERTICAL



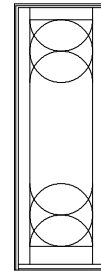
PRAIRIE



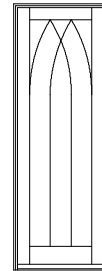
UNEVEN



DIAMOND



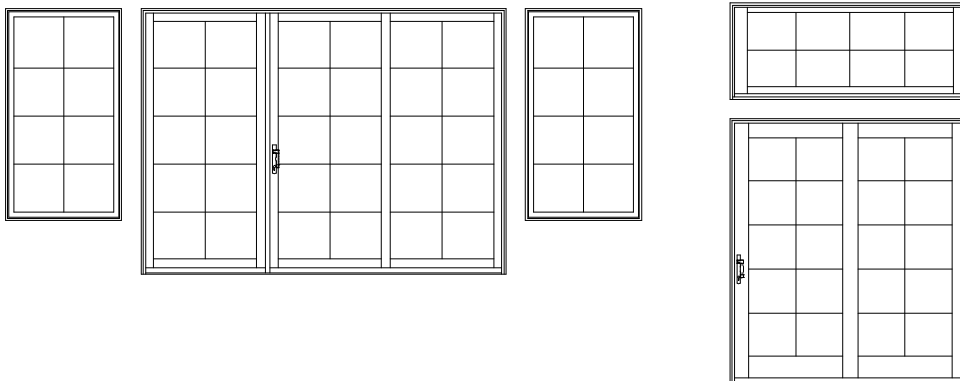
RADIUS



GOthic

BAR ALIGNMENT

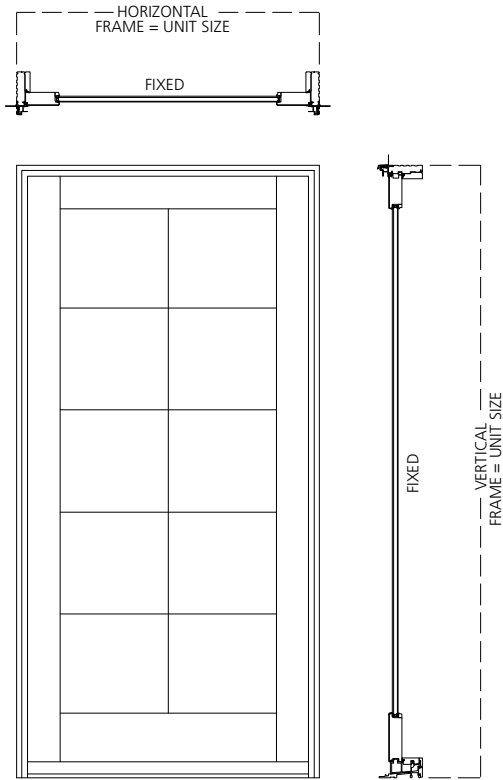
Alignment of divided lite muntin bars from one product to the next is often required by fine architectural design. Wood grilles, GBG (Grilles between the Glass), and Simulated Divided Lites may be specified with muntin bars aligned.



**UNIT SIZING, ROUGH OPENINGS
& MASONRY OPENINGS**

STANDARD OFFERING

DRIP CAP & NAILING FLANGE



GENERAL NOTES:

UNITS WITH NO EXTERIOR TRIM
OR DRIP CAP & NAILING FLANGE:
FRAME SIZE = UNIT SIZE

UNIT SIZE IS ALWAYS THE
EXTREME SIZE OF THE DOOR
WITH OR WITHOUT TRIM
(DRIP CAP & NAILING FLANGE ARE
NOT ADDED TO ANY UNIT SIZING)

ROUGH OPENING IS ALWAYS 3/4" OVER
FRAME SIZE OF THE DOOR

MASONRY OPENING IS ALWAYS 1/2"

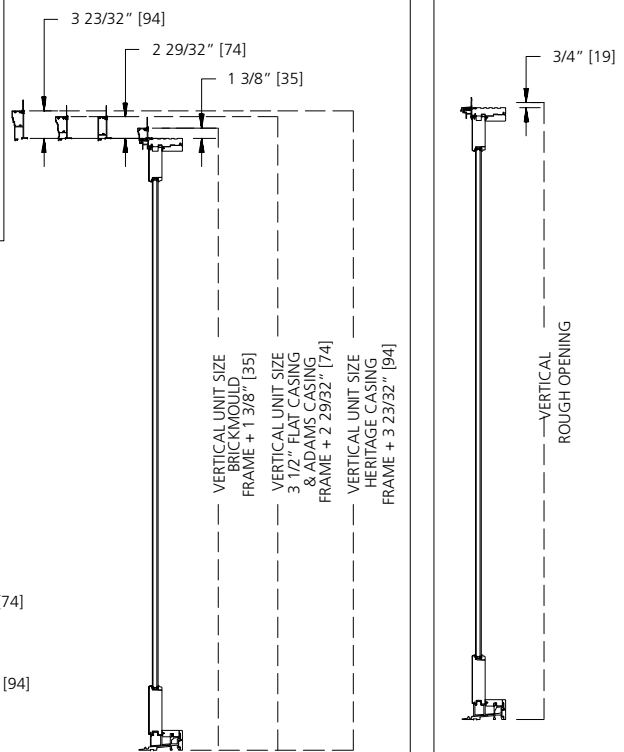
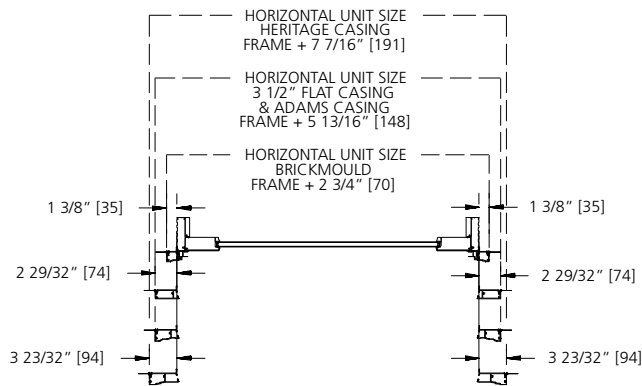
ROUGH OPENING:

DRIP CAP & NAILING FLANGE

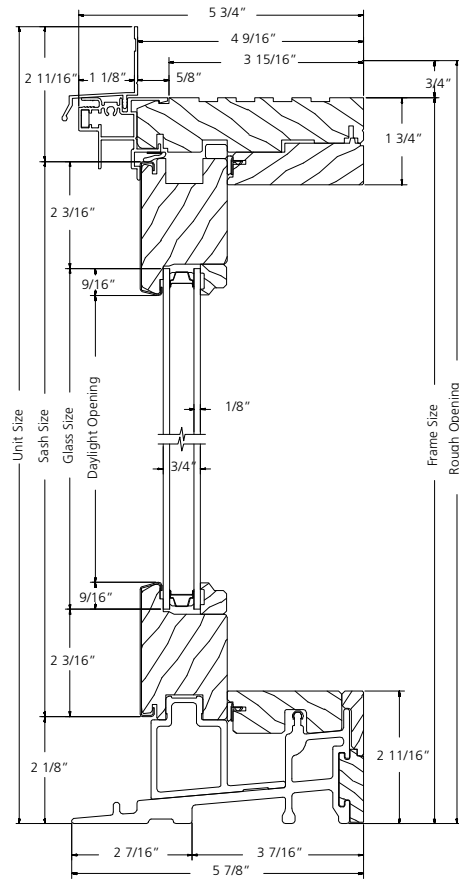


UNIT SIZE

FRAME TO EXTERIOR TRIM (UNIT) SIZE



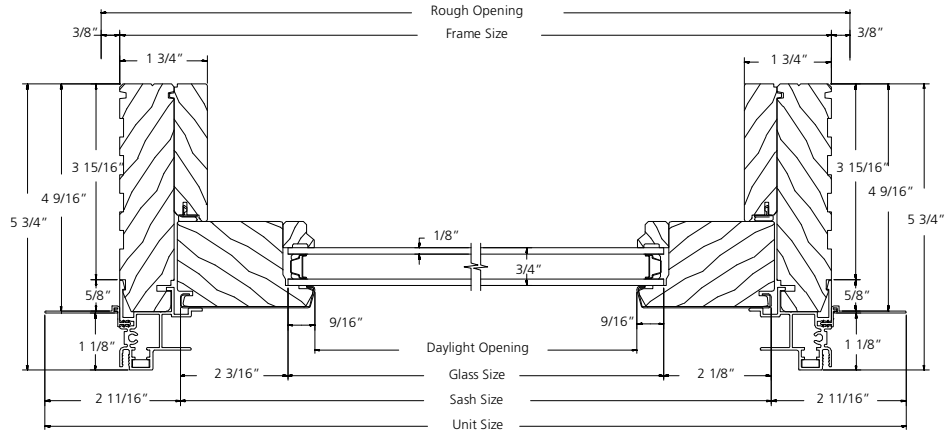
**NARROW STILE 1-PANEL
STATIONARY UNIT**



VERTICAL SECTION

SCALE: 3" = 1'

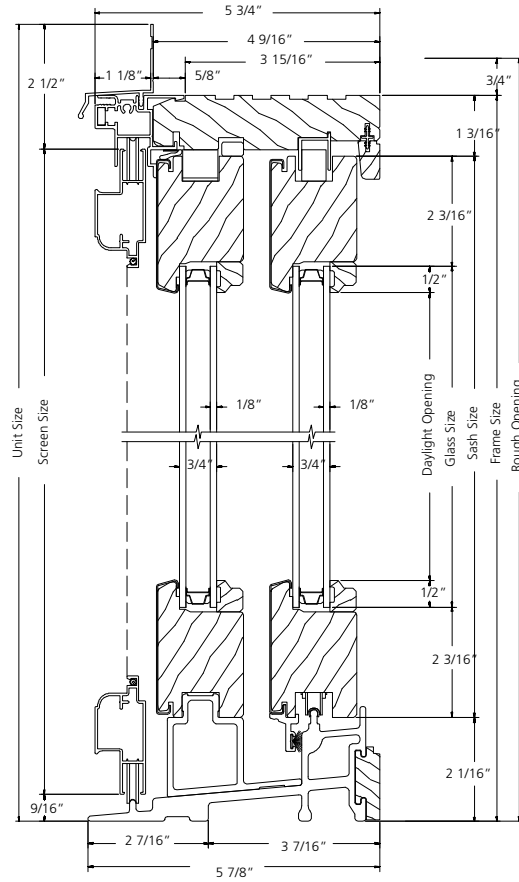
**NARROW STILE 1-PANEL
STATIONARY UNIT**



HORIZONTAL SECTION

SCALE: 3" = 1'

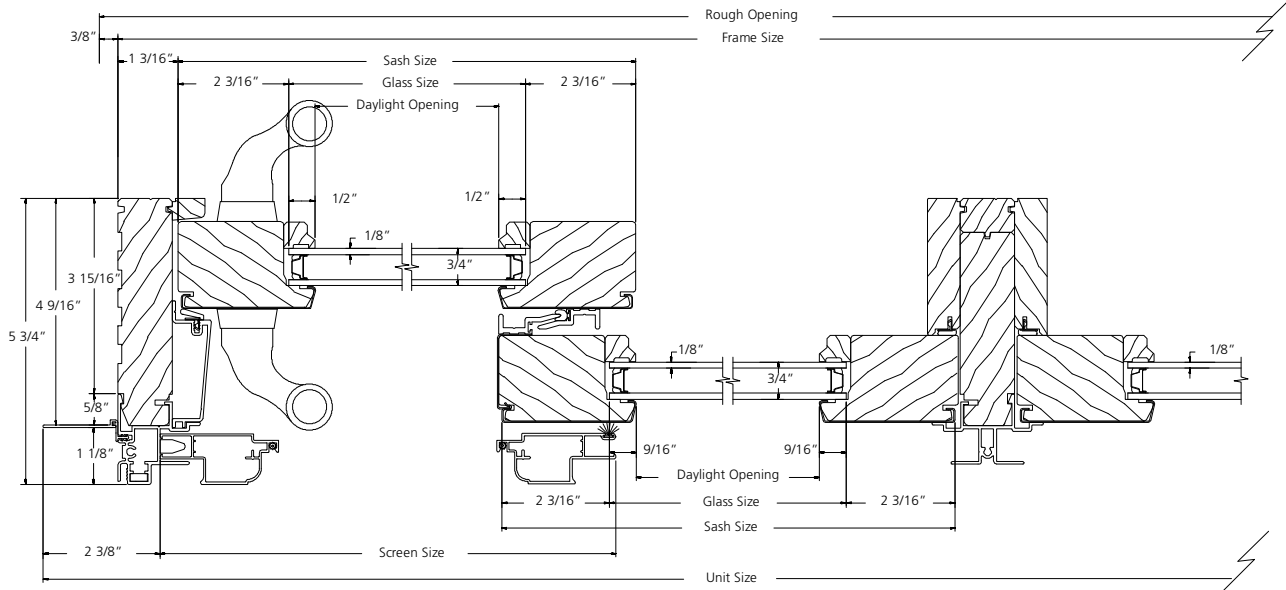
**NARROW STILE 2-PANEL
OPERATING UNIT**



VERTICAL SECTION

SCALE: 3" = 1'

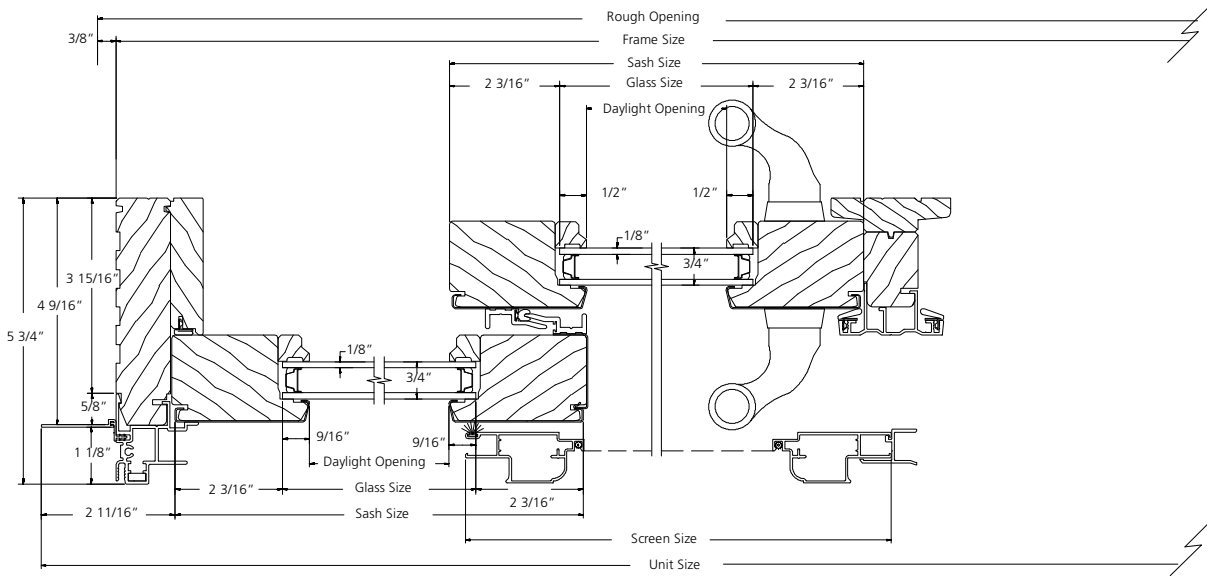
NARROW STILE 3-PANEL UNIT



HORIZONTAL SECTION

SCALE: 3" = 1'

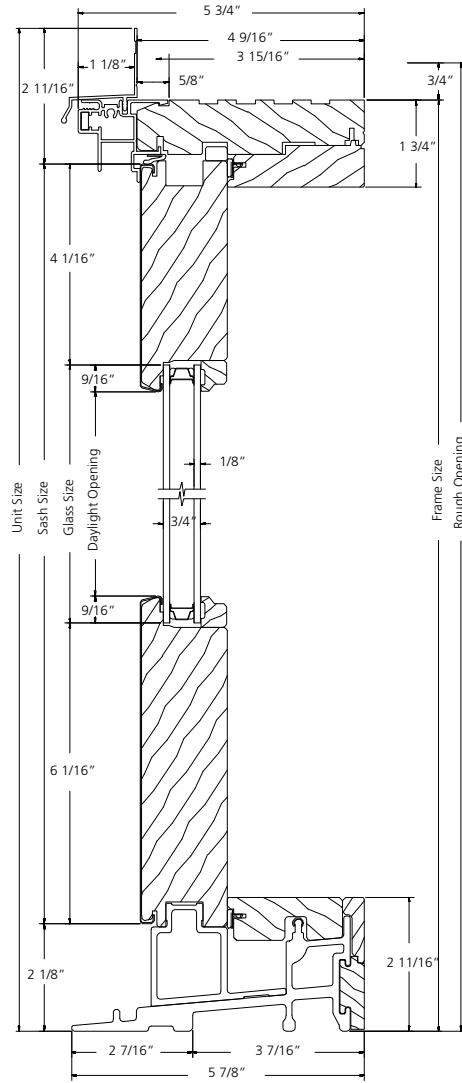
NARROW STILE 4-PANEL UNIT



HORIZONTAL SECTION

SCALE: 3" = 1'

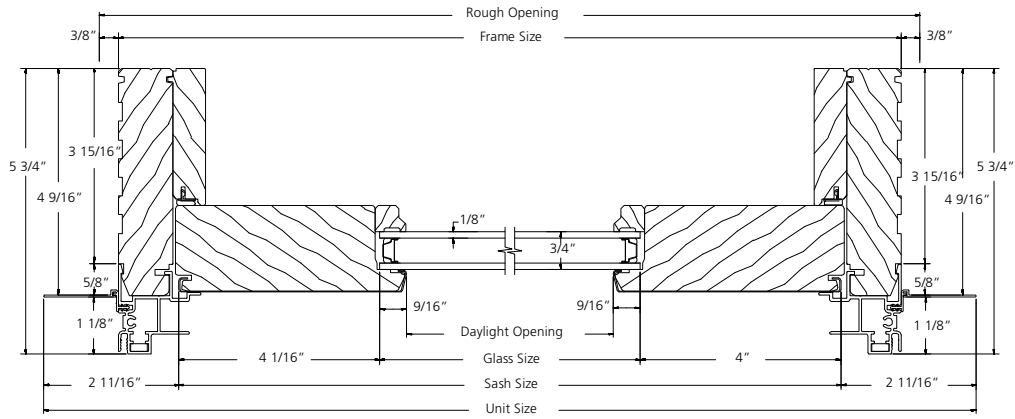
**WIDE STILE 1-PANEL
STATIONARY UNIT**



VERTICAL SECTION

SCALE: 3" = 1'

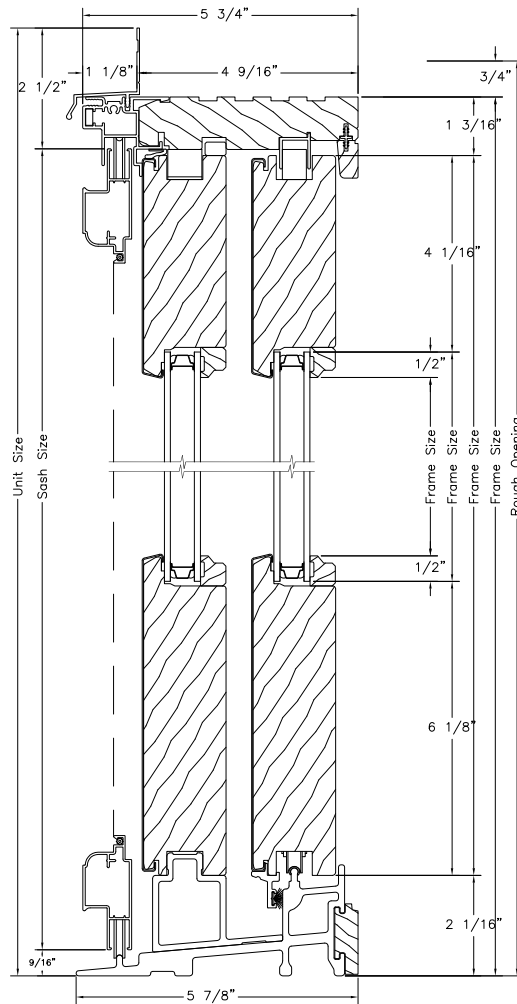
**WIDE STILE 1-PANEL
STATIONARY UNIT**



HORIZONTAL SECTION

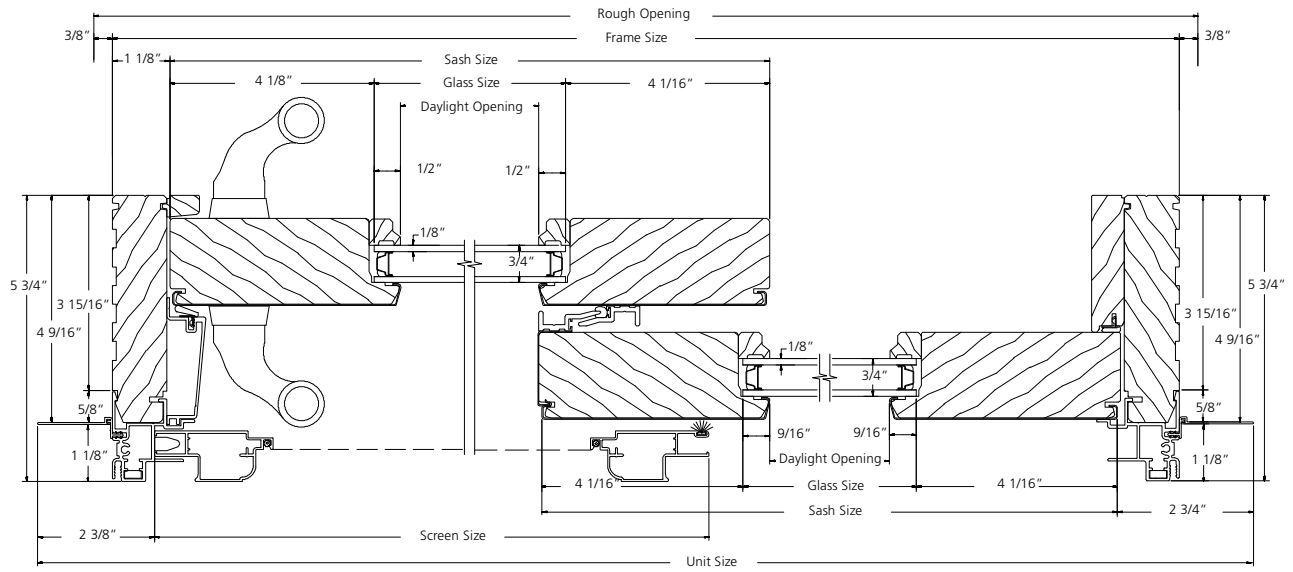
SCALE: 3" = 1'

**WIDE STILE 2-PANEL
OPERATING UNIT**



Vertical Section

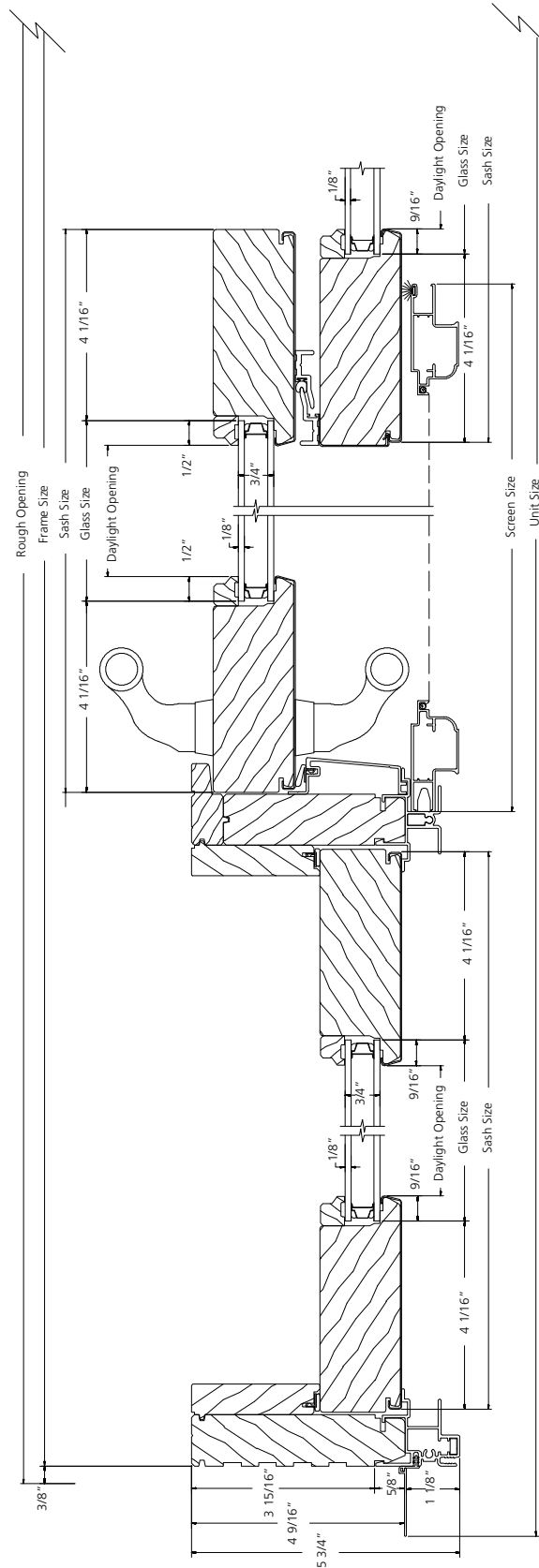
WIDE STILE 2-PANEL OPERATING UNIT



HORIZONTAL SECTION

SCALE: 3" = 1'

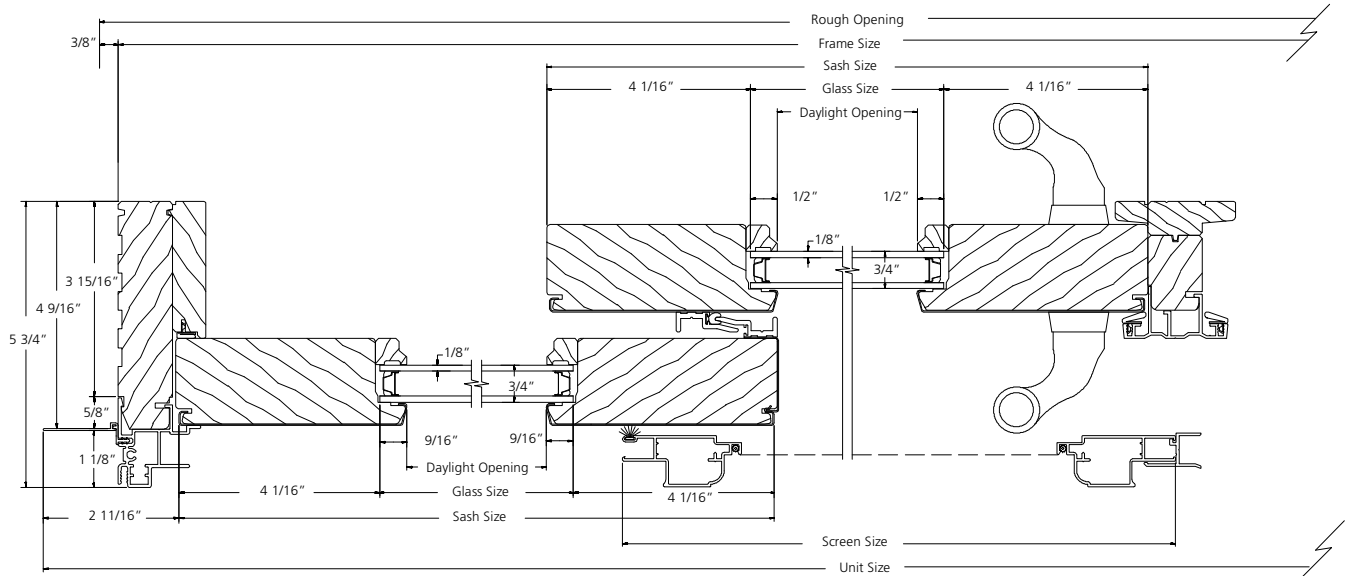
WIDE STILE 3-PANEL UNIT



HORIZONTAL SECTION

SCALE: 3" = 1'

WIDE STILE 4-PANEL UNIT



HORIZONTAL SECTION

SCALE: 3" = 1'