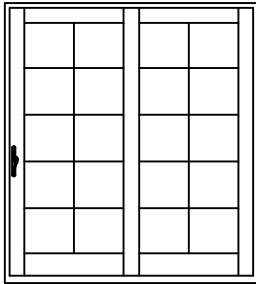

TABLE OF CONTENTS

General Information.	29-2
Elevation Notes.	29-3
Lite Cut Information.	29-4
Standard Lite Cut Tables.	29-5
Clear Opening & Design Data Tables.	29-6
Clear Opening Layout: Narrow Stile.	29-8
Clear Opening Layout: Wide Stile.	29-9
Unit Sizing, Rough Openings & Masonry Openings	29-10
Trim Options	29-11
Mullion Details	29-12
Rail & Jamb Options	29-13
Raised Panel Options	29-14
Section Details:Wide Stile.	29-16
Section Details:Narrow Stile.	29-22
Min & Max Sizing	29-28

GENERAL INFORMATION

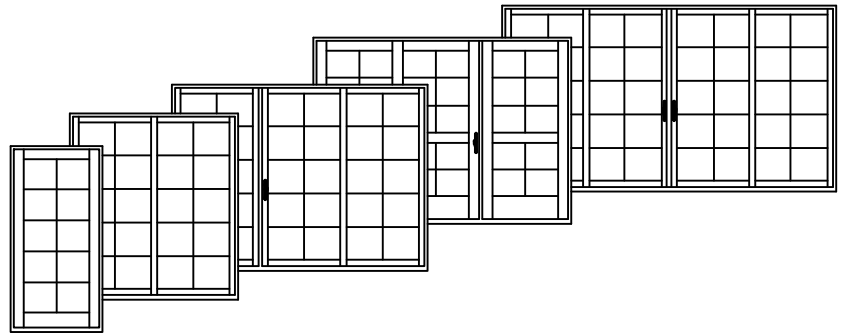


RIGHT STATIONARY

DIMENSIONAL DOORS

Custom clad gliding patio doors may be specified as "dimensional", by adjusting the desired rough opening width or height in 1/16" increments from standard.

Custom clad gliding patio doors are available in single, twin, triple and quad panel doors. The standard size range includes sizes specifically designed for replacement of older patio door models in existing structures, as well as a full range of "true size" products for architectural consistency.

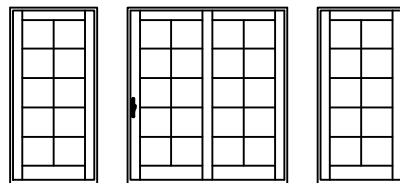


OPERATION

Custom clad gliding patio doors are available in a full range of operating and stationary styles. Single panel doors are only available as stationary (non-venting) styles. Two-panel doors are available with left or right operation. Three-panel doors are available with left and right operation and with center or end operators. Four-panel doors are available with two panels operating from the center. Configuration and handing is based on viewing the door from the exterior.

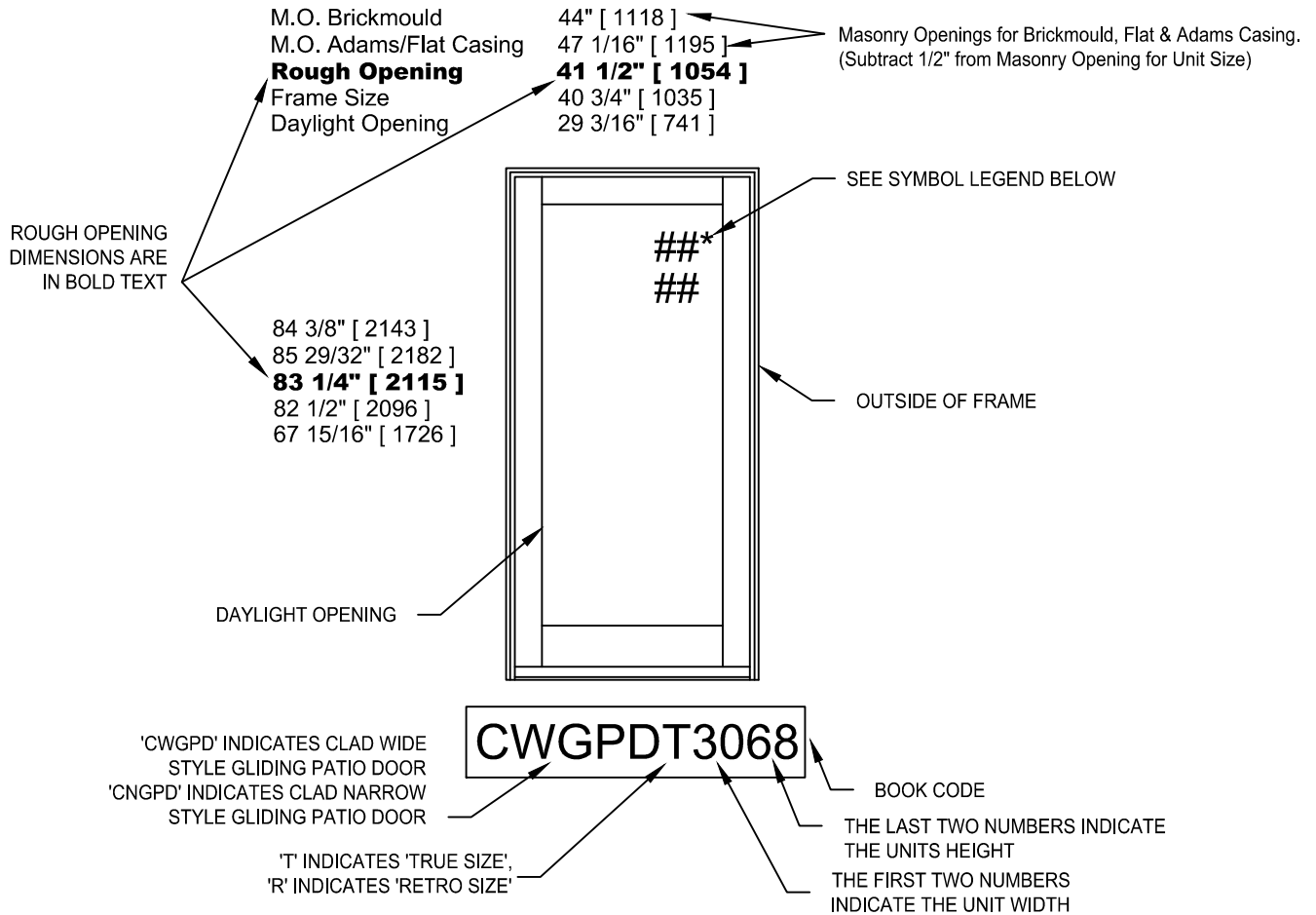
MULTIPLE ASSEMBLIES

Custom clad gliding patio doors are available in a wide variety of multiple panel configurations from the factory, all of which are assembled with continuous sills. Mulling of clad gliding patio doors to like products in the field is not recommended. Instead, individual factory assembled units should be installed in contiguous rough openings, in order to provide adequate framing support to assure the best performance of the door systems.



ELEVATION INFORMATION

ELEVATION DRAWINGS UTILIZE A LIMITED NUMBER OF PROJECTED LINES TO PRODUCE A RUDIMENTARY DRAWING INTENDED TO BE USED IN A SMALL GRAPHICAL SCALE. ELEVATIONS ARE VIEWED PERPENDICULAR FROM THE EXTERIOR OF THE STRUCTURE. IF MORE DIMENSIONS ARE NEEDED, USE THE SECTION DRAWINGS FOR MORE COMPLETE DEPICTIONS.



GENERAL GLIDING DOOR NOTES

1. CLAD GLIDING PATIO DOOR (CWGPD/CNGPD) UNITS ARE AVAILABLE AS OPERATING OR FIXED UNITS.
2. UNIT ELEVATIONS ARE SHOWN WITHOUT EXTERIOR TRIM. UNIT SIZES & MASONRY OPENING DIMENSIONS WILL CHANGE WITH THE ADDITION OF EXTERIOR TRIM. SEE THE 'UNIT SIZING, ROUGH OPENINGS & MASONRY OPENINGS' PAGE FOR EXTERIOR TRIM EFFECTS.
3. OPERATING UNITS ARE AVAILABLE AS LEFT OR RIGHT HAND OPERATION.
4. INTERMEDIATE LOCK RAILS, RAISED PANELS AND 11" BOTTOM RAILS ARE AVAILABLE ON ALL WIDE STYLE UNITS.

ELEVATION SYMBOL LEGEND

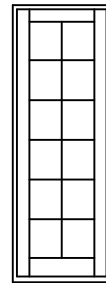
- (F) PANEL IS AVAILABLE AS FIXED ONLY.
- ## NUMBER INDICATES DESIGN PRESSURE (DP) RATING WITH STANDARD GLAZING. OPERATING UNITS UTILIZE MULTI-POINT LOCKING HARDWARE FOR DP RATINGS.
- ##* NUMBER INDICATES IMPACT PRESSURE (DP) RATING. THIS APPLICATION REDUCES CLEAR OPENING VERTICALLY AND REQUIRES DIFFERENT PRODUCT SPECIFICATIONS.

LITE CUT INFORMATION

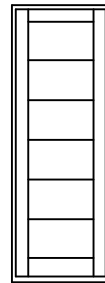
Custom clad gliding patio doors are available with removable grilles in 5/8", 7/8", 1-1/8" and 1-3/8" widths, with grilles between the glass (GBG), or with Simulated Divided Lites. Standard lite cuts are rectangular, and conform to the layouts noted in the charts on the next page. To use the chart, refer to the appropriate table by the type of patio door and type of bars or grilles the section drawings illustrate. Then simply cross reference the frame height and width to determine the standard lite cut.

LITE CUT OPTIONS

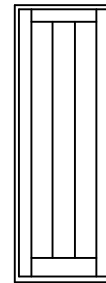
Special lite cut patterns can include a wide variety of straight line and radius patterns. The illustrations shown here represent just a few of the possibilities. Rectangular, horizontal, vertical and Prairie lite patterns are available in all standard size clad gliding patio doors. Uneven, diamond, radius and Gothic lite cuts are available, subject to approval. Approvals are based on the ability to fulfill the design requirement while maintaining the construction integrity of the finished product.



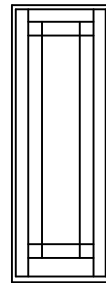
RECTANGULAR



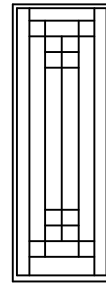
HORIZONTAL



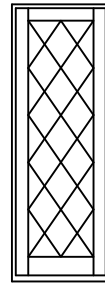
VERTICAL



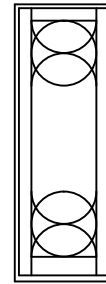
PRAIRIE



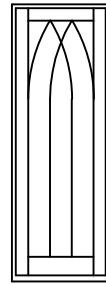
UNEVEN



DIAMOND



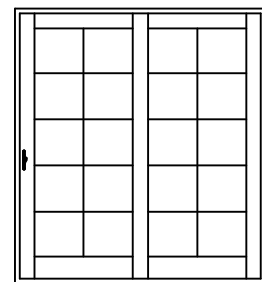
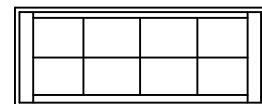
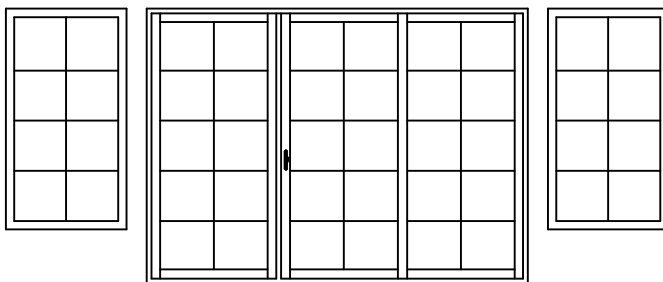
RADIUS



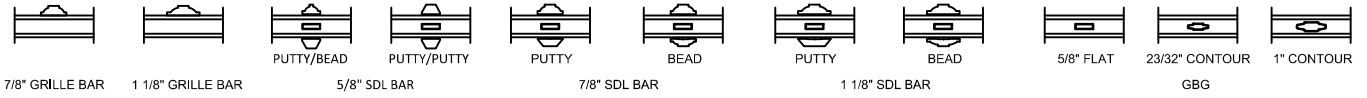
GOTHIC

BAR ALIGNMENT

Alignment of divided lite muntin bars from one product to the next is often required by fine architectural design. Wood grilles, GBG's, and Simulated Divided Lites may be specified with muntin bars aligned.



STANDARD LITE CUT TABLES



RETRO SIZES

Height Callout	CWGPDR	Width Callout		
		2-6	3-0	4-0
	6-8	2W 5H	2W 5H	3W 5H
	8-0	2W 6H	2W 6H	3W 6H

Height Callout	CNGPDR	Width Callout		
		2-6	3-0	4-0
	6-8	2W 5H	2W 5H	3W 5H
	8-0	2W 6H	2W 6H	3W 6H

TRUE SIZES

Height Callout	CWGPDT	Width Callout		
		2-6	3-0	4-0
	6-8	2W 5H	2W 5H	3W 5H
	7-0	2W 5H	2W 5H	3W 5H
8-0	2W 6H	2W 6H	3W 6H	

Height Callout	CNGPDT	Width Callout		
		2-6	3-0	4-0
	6-8	2W 5H	2W 5H	3W 5H
	7-0	2W 5H	2W 5H	3W 5H
8-0	2W 6H	2W 6H	3W 6H	



1 3/8" GRILLE BAR 1 3/8" SDL BAR

RETRO SIZES

Height Callout	CWGPDR	Width Callout		
		2-6	3-0	4-0
	6-8	2W 5H	2W 5H	3W 5H
	8-0	2W 6H	2W 6H	3W 6H

Height Callout	CNGPDR	Width Callout		
		2-6	3-0	4-0
	6-8	2W 5H	2W 5H	3W 5H
	8-0	2W 6H	2W 6H	3W 6H

TRUE SIZES

Height Callout	CWGPDT	Width Callout		
		2-6	3-0	4-0
	6-8	2W 5H	2W 5H	3W 5H
	7-0	2W 5H	2W 5H	3W 5H
8-0	2W 6H	2W 6H	3W 6H	

Height Callout	CNGPDT	Width Callout		
		2-6	3-0	4-0
	6-8	2W 5H	2W 5H	3W 5H
	7-0	2W 5H	2W 5H	3W 5H
8-0	2W 6H	2W 6H	3W 6H	

CLEAR OPENING & DESIGN DATA TABLES

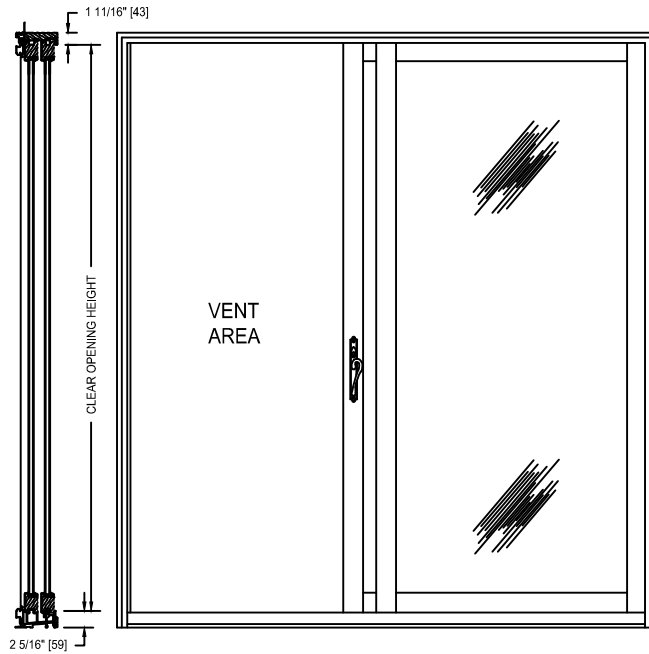
Unit Number	Frame Width	Frame Height	Square Feet of Clear Opening	Clear Opening Width Inches	Clear Opening Height Inches	Square Feet of Daylight Opening Per Panel	Unit Number	Frame Width	Frame Height	Square Feet of Clear Opening	Clear Opening Width Inches	Clear Opening Height Inches	Square Feet of Daylight Opening Per Panel
Narrow Style Single Panel Basic Units													
Single Panel Units													
CNGPDR2668	31.81	79.5	N/A	N/A	N/A	11.80							
CNGPDR3068	37.81	79.5	N/A	N/A	N/A	14.74							
CNGPDR4068	49.81	79.5	N/A	N/A	N/A	20.63							
CNGPDR2680	31.81	95.5	N/A	N/A	N/A	14.47							
CNGPDR3080	37.81	95.5	N/A	N/A	N/A	18.08							
CNGPDR4080	49.81	95.5	N/A	N/A	N/A	25.30							
CNGPDT2668	33.81	82.5	N/A	N/A	N/A	13.32							
CNGPDT3068	39.81	82.5	N/A	N/A	N/A	16.39							
CNGPDT4068	51.81	82.5	N/A	N/A	N/A	22.53							
CNGPDT2670	33.81	86.5	N/A	N/A	N/A	14.04							
CNGPDT3070	39.81	86.5	N/A	N/A	N/A	17.28							
CNGPDT4070	51.81	86.5	N/A	N/A	N/A	23.75							
CNGPDT2680	33.81	98.5	N/A	N/A	N/A	16.21							
CNGPDT3080	39.81	98.5	N/A	N/A	N/A	19.95							
CNGPDT4080	51.81	98.5	N/A	N/A	N/A	27.42							
Narrow Style Multiple Panel Basic Units													
Two Panel Units													
CNGPDR5068	58.63	79.5	11.23	21.47	75.31	11.80							
CNGPDR6068	70.63	79.5	14.37	27.47	75.31	14.74							
CNGPDR8068	94.63	79.5	20.64	39.47	75.31	20.63							
CNGPDR5080	58.63	95.5	13.61	21.47	91.31	14.47							
CNGPDR6080	70.63	95.5	17.42	27.47	91.31	18.08							
CNGPDR8080	94.63	95.5	25.03	39.47	91.31	25.30							
CNGPDT5068	62.63	82.5	12.76	23.47	78.31	13.32							
CNGPDT6068	74.63	82.5	16.03	29.47	78.31	16.39							
CNGPDT8068	98.63	82.5	22.55	41.47	78.31	22.53							
CNGPDT5070	62.63	86.5	13.42	23.47	82.31	14.04							
CNGPDT6070	74.63	86.5	16.84	29.47	82.31	17.28							
CNGPDT8070	98.63	86.5	23.70	41.47	82.31	23.75							
CNGPDT5080	62.63	98.5	15.37	23.47	94.31	16.21							
CNGPDT6080	74.63	98.5	19.30	29.47	94.31	19.95							
CNGPDT8080	98.63	98.5	27.16	41.47	94.31	27.42							
Three Panel Units (End Operator)													
CNGPDT7668	95.38	82.5	12.78	23.50	78.31	13.32							
CNGPDT9068	113.38	82.5	16.04	29.50	78.31	16.39							
CNGPDT12068	149.38	82.5	22.57	41.50	78.31	22.53							
CNGPDT7670	95.38	86.5	13.43	23.50	82.31	14.04							
CNGPDT9070	113.38	86.5	16.86	29.50	82.31	17.28							
CNGPDT12070	149.38	86.5	23.72	41.50	82.31	23.75							
CNGPDT7680	95.38	98.5	15.39	23.50	94.31	16.21							
CNGPDT9080	113.38	98.5	19.32	29.50	94.31	19.95							
CNGPDT12080	149.38	98.5	27.18	41.50	94.31	27.42							
Three Panel Units (Center Operator)													
CNGPDT7668	95.38	82.5	12.78	23.50	78.31	13.32							
CNGPDT9068	113.38	82.5	16.04	29.50	78.31	16.39							
CNGPDT12068	149.38	82.5	22.57	41.50	78.31	22.53							
CNGPDT7670	95.38	86.5	13.43	23.50	82.31	14.04							
CNGPDT9070	113.38	86.5	16.86	29.50	82.31	17.28							
CNGPDT12070	149.38	86.5	23.72	41.50	82.31	23.75							
CNGPDT7680	95.38	98.5	15.39	23.50	94.31	16.21							
CNGPDT9080	113.38	98.5	19.32	29.50	94.31	19.95							
CNGPDT12080	149.38	98.5	27.18	41.50	94.31	27.42							
Quad Units													
CNGPDT10068Q	124.06	82.5	25.97	47.75	78.31	13.32							
CNGPDT12068Q	148.06	82.5	32.49	59.75	78.31	16.39							
CNGPDT16068Q	196.06	82.5	45.55	83.75	78.31	22.53							
CNGPDT10070Q	124.06	86.5	27.29	47.75	82.31	14.04							
CNGPDT12070Q	148.06	86.5	34.15	59.75	82.31	17.28							
CNGPDT16070Q	196.06	86.5	47.87	83.75	82.31	23.75							
CNGPDT10080Q	124.06	98.5	31.27	47.75	94.31	16.21							
CNGPDT12080Q	148.06	98.5	39.13	59.75	94.31	19.95							
CNGPDT16080Q	196.06	98.5	54.85	83.75	94.31	27.42							

Custom Gliding Patio Doors

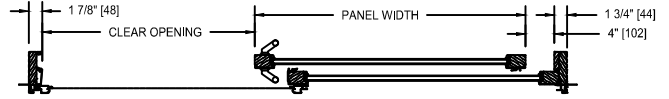
CLEAR OPENING & DESIGN DATA TABLES

Unit Number	Frame Width	Frame Height	Square Feet of Clear Opening	Clear Opening Width Inches	Clear Opening Height Inches	Square Feet of Daylight Opening Per Panel	Square Feet of Daylight Opening 10-1/4" Bottom Rail	Unit Number	Frame Width	Frame Height	Square Feet of Clear Opening	Clear Opening Width Inches	Clear Opening Height Inches	Square Feet of Daylight Opening Per Panel	Square Feet of Daylight Opening 10-1/4" Bottom Rail
Wide Style Single Panel Basic Units															
Single Panel Units															
CWGPDR2668	32.75	79.5	N/A	N/A	N/A	9.57	9.03								
CWGPDR3068	38.75	79.5	N/A	N/A	N/A	12.27	11.59								
CWGPDR4068	50.75	79.5	N/A	N/A	N/A	17.69	16.70								
CWGPDR2680	32.75	95.5	N/A	N/A	N/A	11.93	11.39								
CWGPDR3080	38.75	95.5	N/A	N/A	N/A	15.30	14.61								
CWGPDR4080	50.75	95.5	N/A	N/A	N/A	22.04	21.32								
CWGPDT2668	34.75	82.5	N/A	N/A	N/A	10.95	10.37								
CWGPDT3068	40.75	82.5	N/A	N/A	N/A	13.79	13.05								
CWGPDT4068	52.75	82.5	N/A	N/A	N/A	19.45	18.41								
CWGPDT2670	34.75	86.5	N/A	N/A	N/A	11.60	11.01								
CWGPDT3070	40.75	86.5	N/A	N/A	N/A	14.60	13.06								
CWGPDT4070	52.75	86.5	N/A	N/A	N/A	20.59	19.55								
CWGPDT2680	34.75	98.5	N/A	N/A	N/A	13.53	12.95								
CWGPDT3080	40.75	98.5	N/A	N/A	N/A	17.03	16.30								
CWGPDT4080	52.75	98.5	N/A	N/A	N/A	24.03	22.99								
Wide Style Multiple Panel Basic Units															
Two Panel Units															
CWGPDR5068	58.63	79.5	10.74	20.53	75.31	9.57	9.03								
CWGPDR6068	70.63	79.5	13.88	26.53	75.31	12.27	11.59								
CWGPDR8068	94.63	79.5	20.15	38.53	75.31	17.69	16.70								
CWGPDR5080	58.63	95.5	13.02	20.53	91.31	11.93	11.39								
CWGPDR6080	70.63	95.5	16.82	26.53	91.31	15.30	14.61								
CWGPDR8080	94.63	95.5	24.43	38.53	91.31	22.04	21.32								
CWGPDT5068	62.63	82.5	12.25	22.53	78.31	10.95	10.37								
CWGPDT6068	74.63	82.5	15.52	28.53	78.31	13.79	13.05								
CWGPDT8068	98.63	82.5	22.04	40.53	78.31	19.45	18.41								
CWGPDT5070	62.63	86.5	12.88	22.53	82.31	11.60	11.01								
CWGPDT6070	74.63	86.5	16.31	28.53	82.31	14.60	13.06								
CWGPDT8070	98.63	86.5	23.17	40.53	82.31	20.59	19.55								
CWGPDT5080	62.63	98.5	14.76	22.53	94.31	13.53	12.95								
CWGPDT6080	74.63	98.5	18.69	28.53	94.31	17.03	16.30								
CWGPDT8080	98.63	98.5	26.55	40.53	94.31	24.03	22.99								
Three Panel Units (End Operator)															
CWGPDT7668	96.31	82.5	12.27	22.56	78.31	10.95	10.37								
CWGPDT9068	114.31	82.5	15.53	28.56	78.31	13.79	13.05								
CWGPDT12068	150.31	82.5	22.06	40.56	78.31	19.45	18.41								
CWGPDT7670	96.31	86.5	12.90	22.56	82.31	11.60	11.01								
CWGPDT9070	114.31	86.5	16.33	28.56	82.31	14.60	13.86								
CWGPDT12070	150.31	86.5	23.19	40.56	82.31	20.59	19.55								
CWGPDT7680	96.31	98.5	14.78	22.56	94.31	13.53	12.95								
CWGPDT9080	114.31	98.5	18.71	28.56	94.31	17.03	16.30								
CWGPDT12080	150.31	98.5	26.57	40.56	94.31	24.03	22.99								
Three Panel Units (Center Operator)															
CWGPDT7668	96.31	82.5	12.27	22.56	78.31	10.95	10.37								
CWGPDT9068	114.31	82.5	15.53	28.56	78.31	13.79	13.05								
CWGPDT12068	150.31	82.5	22.06	40.56	78.31	19.45	18.41								
CWGPDT7670	96.31	86.5	12.90	22.56	82.31	11.60	11.01								
CWGPDT9070	114.31	86.5	16.33	28.56	82.31	14.60	13.86								
CWGPDT12070	150.31	86.5	23.19	40.56	82.31	20.59	19.55								
CWGPDT7680	96.31	98.5	14.78	22.56	94.31	13.53	12.95								
CWGPDT9080	114.31	98.5	18.71	28.56	94.31	17.03	16.30								
CWGPDT12080	150.31	98.5	26.57	40.56	94.31	24.03	22.99								
Quad Units															
CWGPDT10068Q	124.06	82.5	24.95	45.88	78.31	10.95	10.37								
CWGPDT12068Q	148.06	82.5	31.47	57.88	78.31	13.79	13.05								
CWGPDT16068Q	196.06	82.5	44.53	81.88	78.31	19.45	18.41								
CWGPDT10070Q	124.06	86.5	26.22	45.88	82.31	11.60	11.01								
CWGPDT12070Q	148.06	86.5	33.08	57.88	82.31	14.60	13.86								
CWGPDT16070Q	196.06	86.5	46.80	81.88	82.31	20.59	19.55								
CWGPDT10080Q	124.06	98.5	30.05	45.88	94.31	13.53	12.95								
CWGPDT12080Q	148.06	98.5	37.91	57.88	94.31	17.03	16.30								
CWGPDT16080Q	196.06	98.5	53.62	81.88	94.31	24.03	22.99								

CLEAR OPENING LAYOUT-NARROW STILE



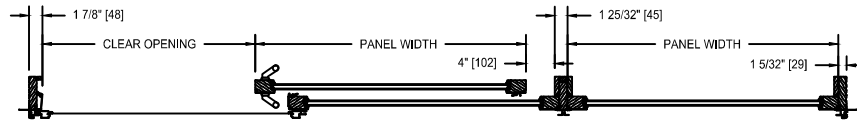
**HORIZONTAL
Two Panel Assembly**



Clear Opening Formulas
Horizontal
Frame - (Panel Width + 7 5/8") = Clear Opening
Vertical
Frame - 4 3/16" = Clear Opening

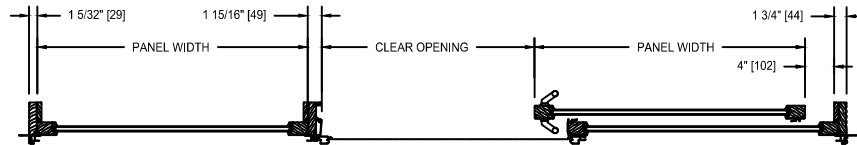
Panel Callout	Panel Width
2-6 Retro	29-17/32
3-0 Retro	35-17/32
4-0 Retro	47-17/32
2-6 True	31-17/32
3-0 True	37-17/32
4-0 True	49-17/32

**HORIZONTAL
Three Panel End Operator**



Clear Opening Formulas
Horizontal
Frame - ((2 x Panel Width) + 8 13/16") = Clear Opening
Vertical
Frame - 4 3/16" = Clear Opening

**HORIZONTAL
Three Panel Center Operator**



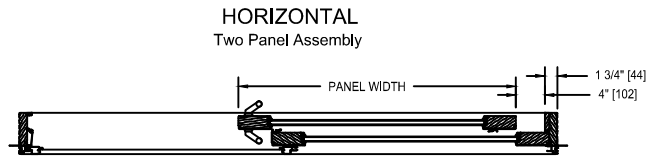
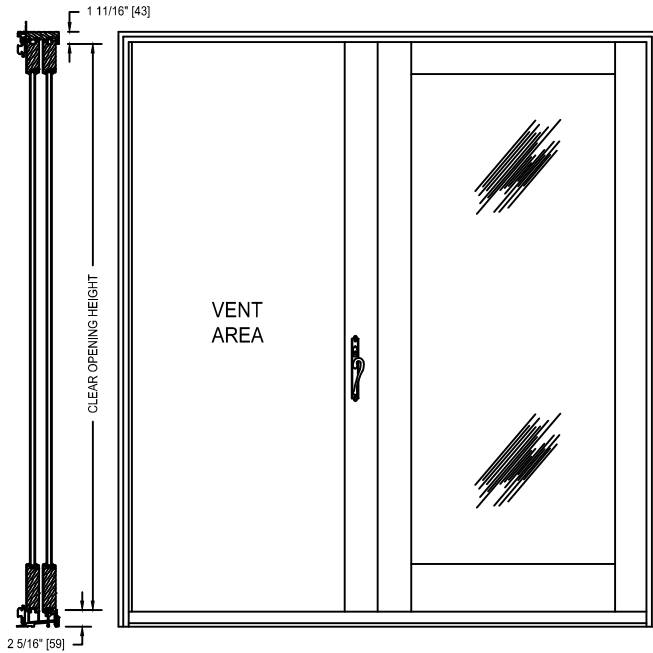
Clear Opening Formulas
Horizontal
Frame - ((2 x Panel Width) + 8 13/16") = Clear Opening
Vertical
Frame - 4 3/16" = Clear Opening



**HORIZONTAL
Four Panel Assembly**

Clear Opening Formulas
Horizontal
Frame - ((2 x (Panel Width + 5 3/4")) + 1 3/4") = Clear Opening
Vertical
Frame - 4 3/16" = Clear Opening

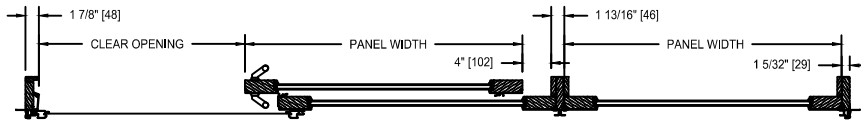
CLEAR OPENING LAYOUT-WIDE STILE



Clear Opening Formulas
Horizontal
Frame - (Panel Width + 7 5/8") = Clear Opening
Vertical
Frame - 4 3/16" = Clear Opening

Panel Callout	Panel Width
2-6 Retro	30-15/32
3-0 Retro	36-15/32
4-0 Retro	48-15/32
2-6 True	32-15/32
3-0 True	38-15/32
4-0 True	50-15/32

**HORIZONTAL
Three Panel End Operator**

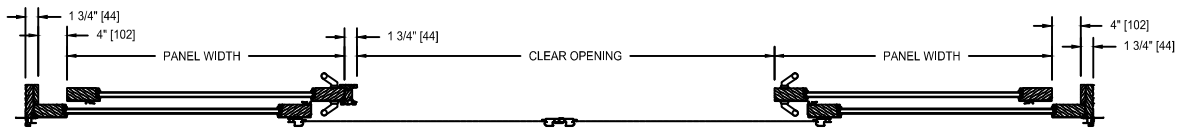


Clear Opening Formulas
Horizontal
Frame - ((2 x Panel Width) + 8 13/16") = Clear Opening
Vertical
Frame - 4 3/16" = Clear Opening

**HORIZONTAL
Three Panel Center Operator**



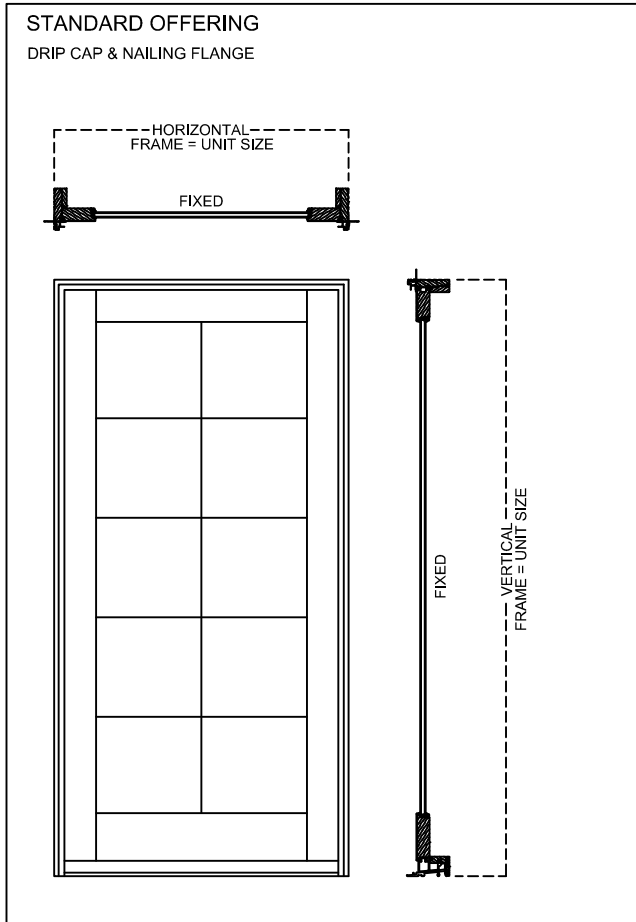
Clear Opening Formulas
Horizontal
Frame - ((2 x Panel Width) + 8 13/16") = Clear Opening
Vertical
Frame - 4 3/16" = Clear Opening



**HORIZONTAL
Four Panel Assembly**

Clear Opening Formulas
Horizontal
Frame - ((2 x (Panel Width + 5 3/4")) + 1 3/4") = Clear Opening
Vertical
Frame - 4 3/16" = Clear Opening

**UNIT SIZING, ROUGH OPENINGS &
MASONRY OPENINGS**



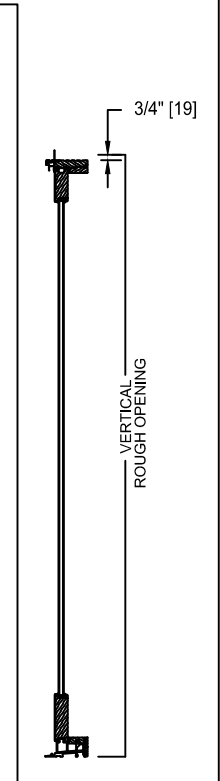
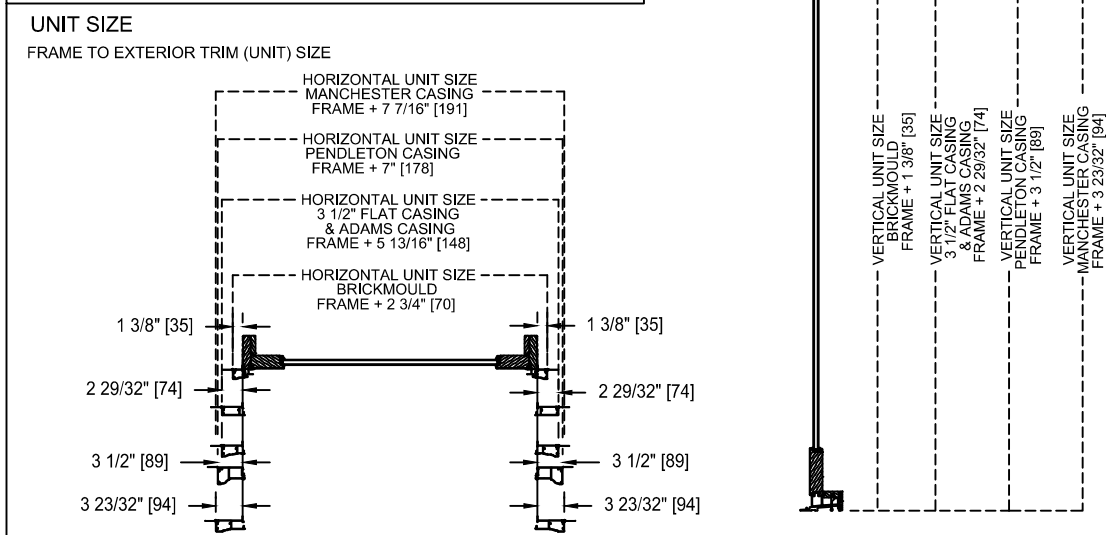
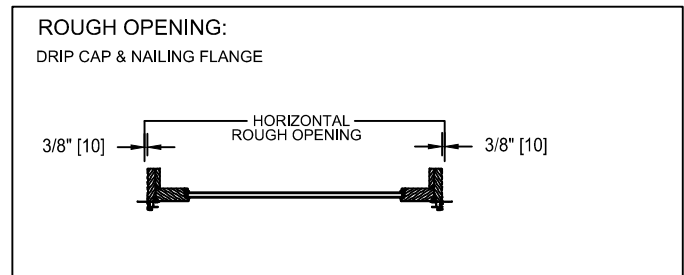
GENERAL NOTES:

UNITS WITH NO EXTERIOR TRIM OR DRIP CAP & NAILING FLANGE: FRAME SIZE = UNIT SIZE

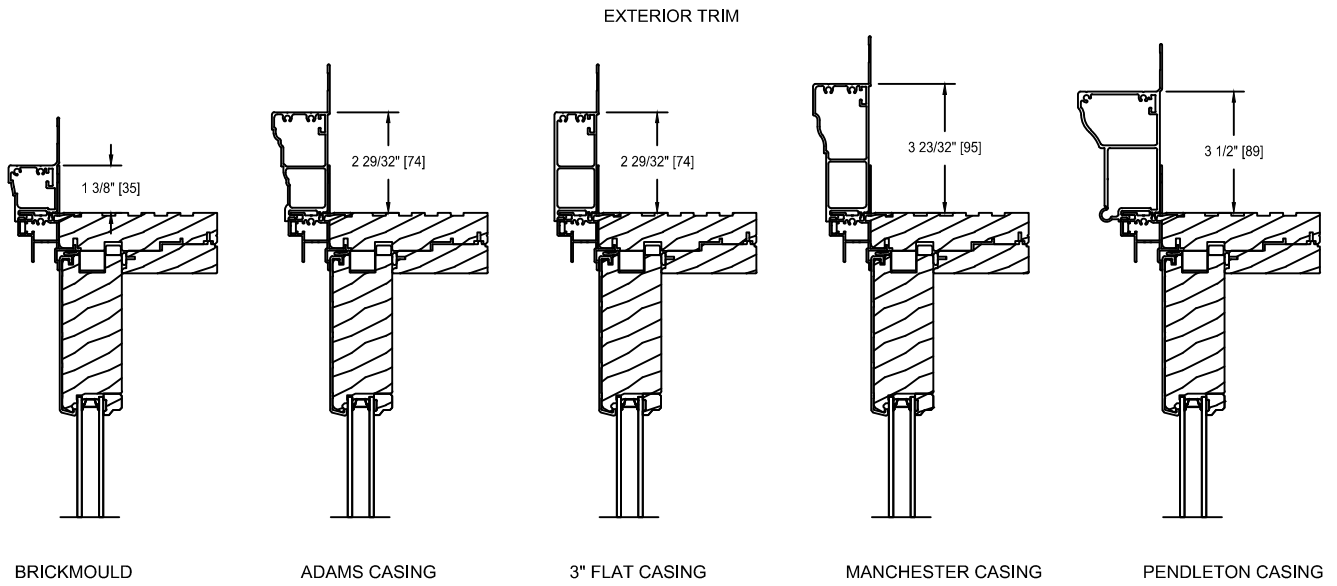
UNIT SIZE IS ALWAYS THE EXTREME SIZE OF THE DOOR WITH OR WITHOUT TRIM (DRIP CAP & NAILING FLANGE ARE NOT ADDED TO ANY UNIT SIZING)

ROUGH OPENING IS ALWAYS 3/4" OVER FRAME SIZE OF THE DOOR

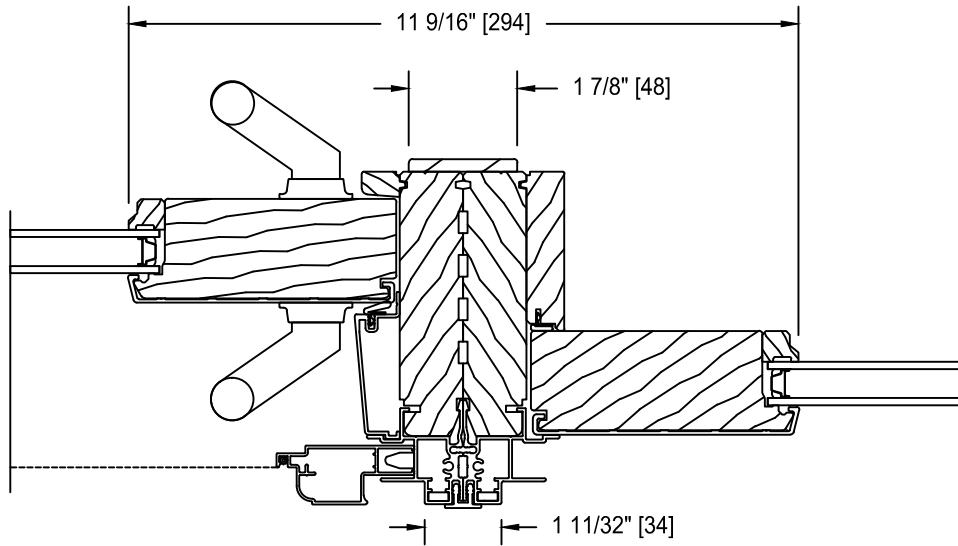
MASONRY OPENING IS ALWAYS 1/2" OVER THE UNIT SIZE OF THE DOOR



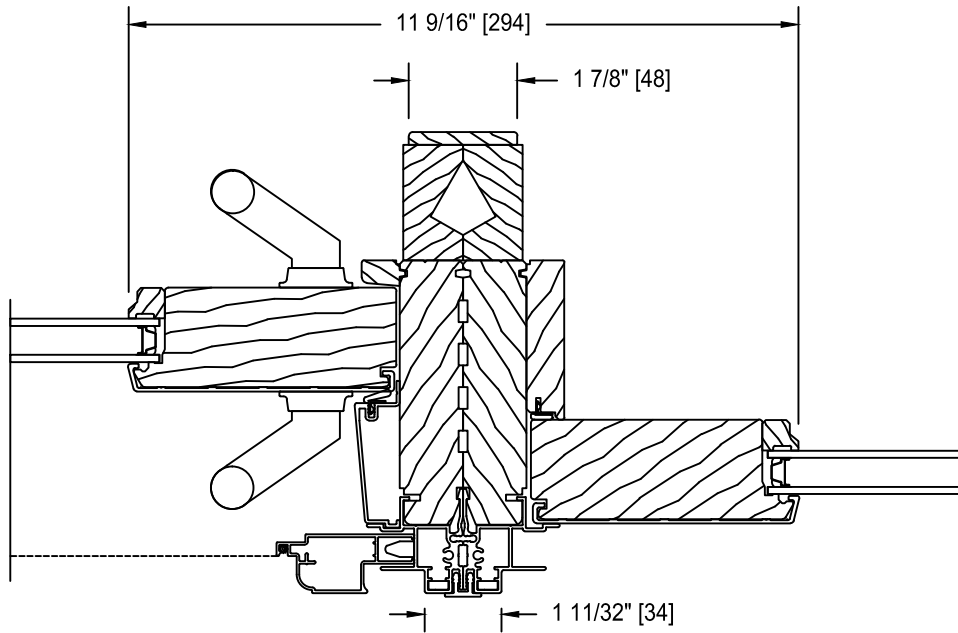
TRIM OPTIONS



STANDARD MULLION DETAILS

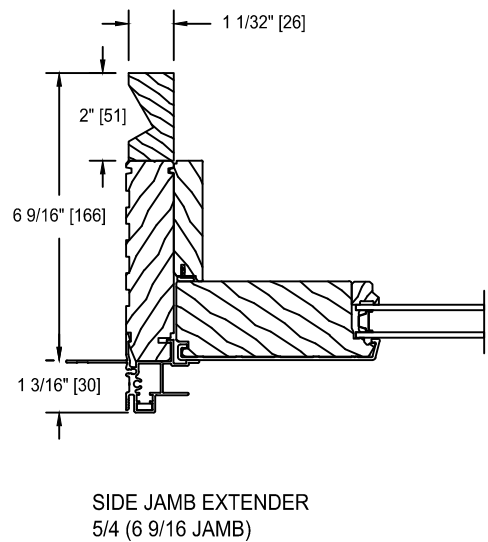
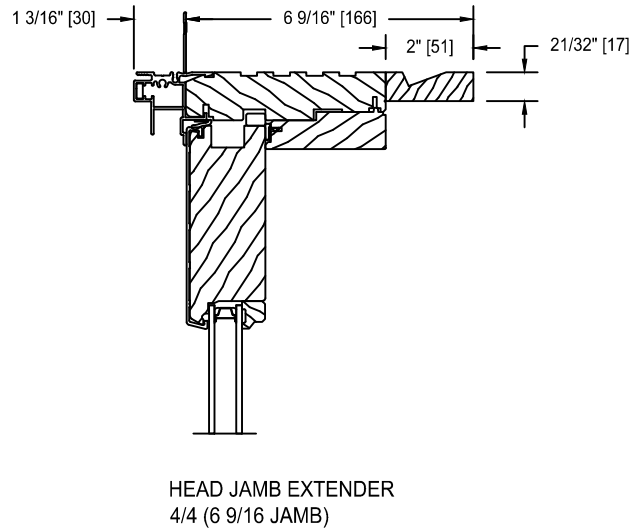
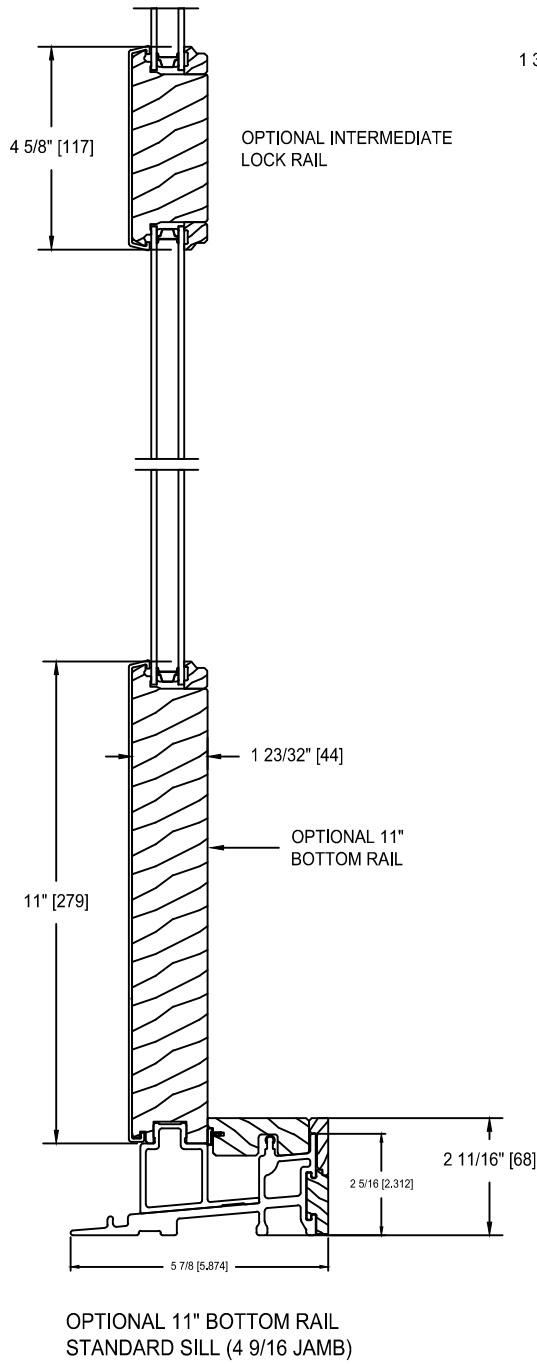


4 9/16" JAMB

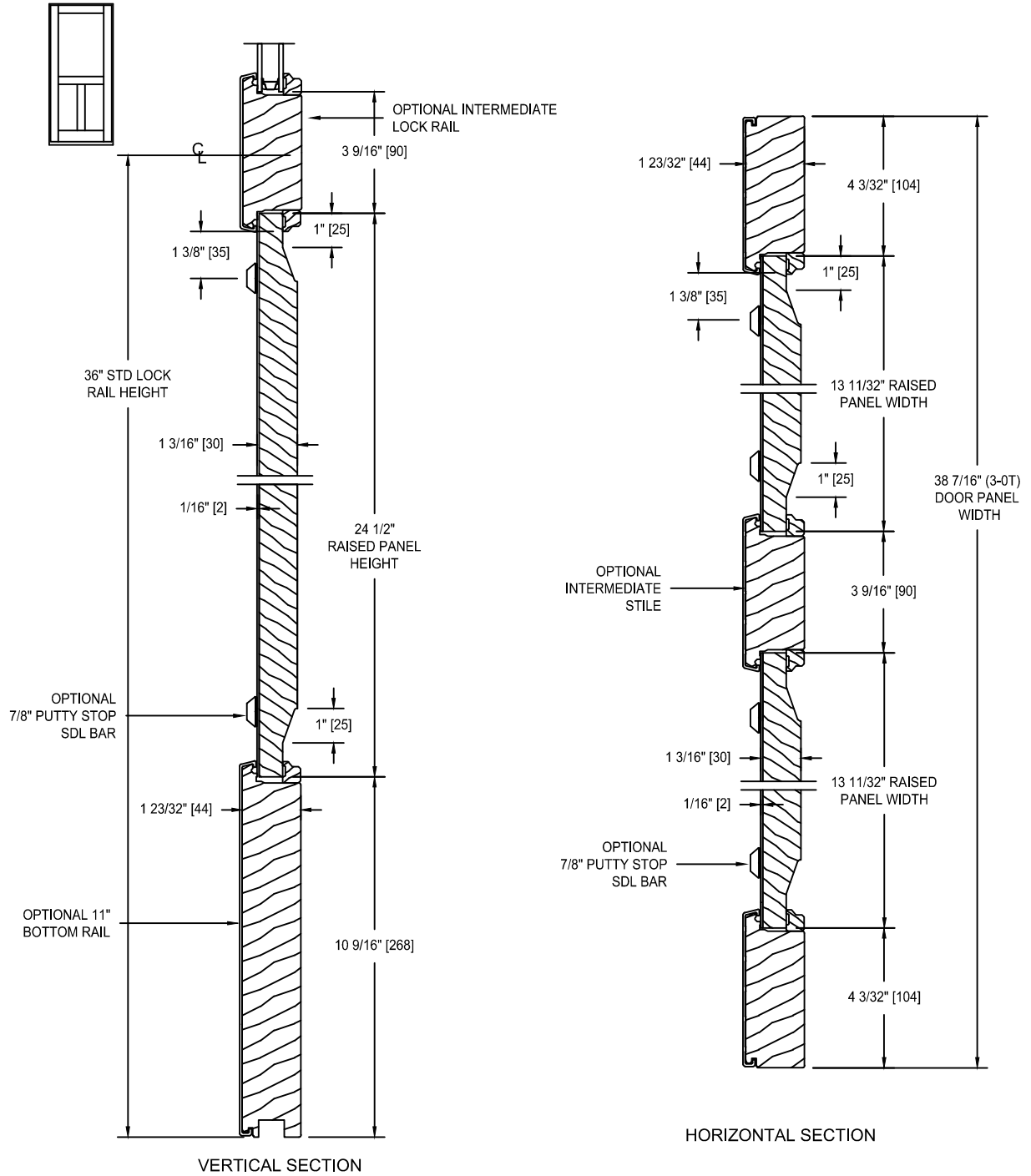


6 9/16" JAMB

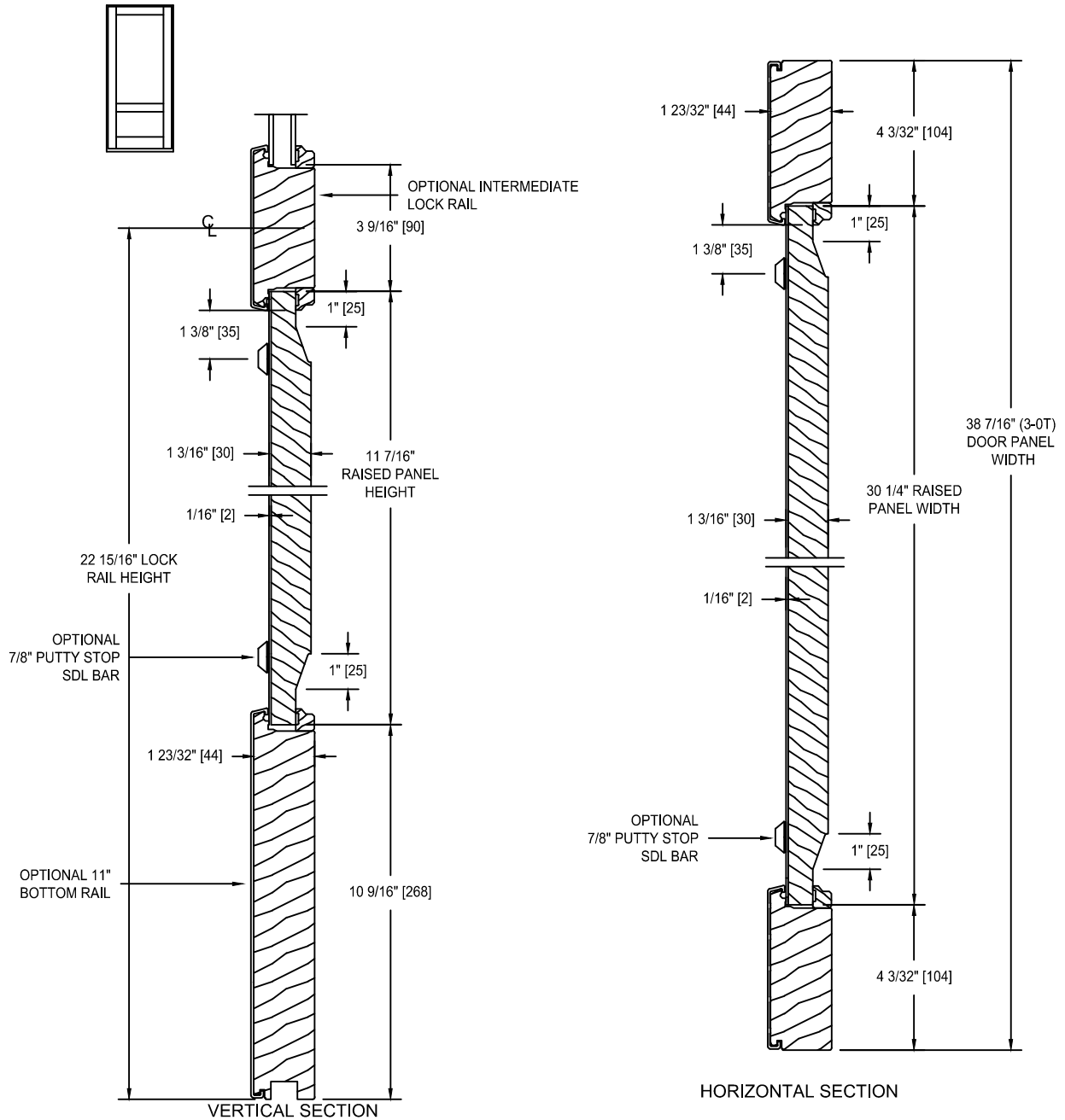
RAIL & JAMB OPTIONS



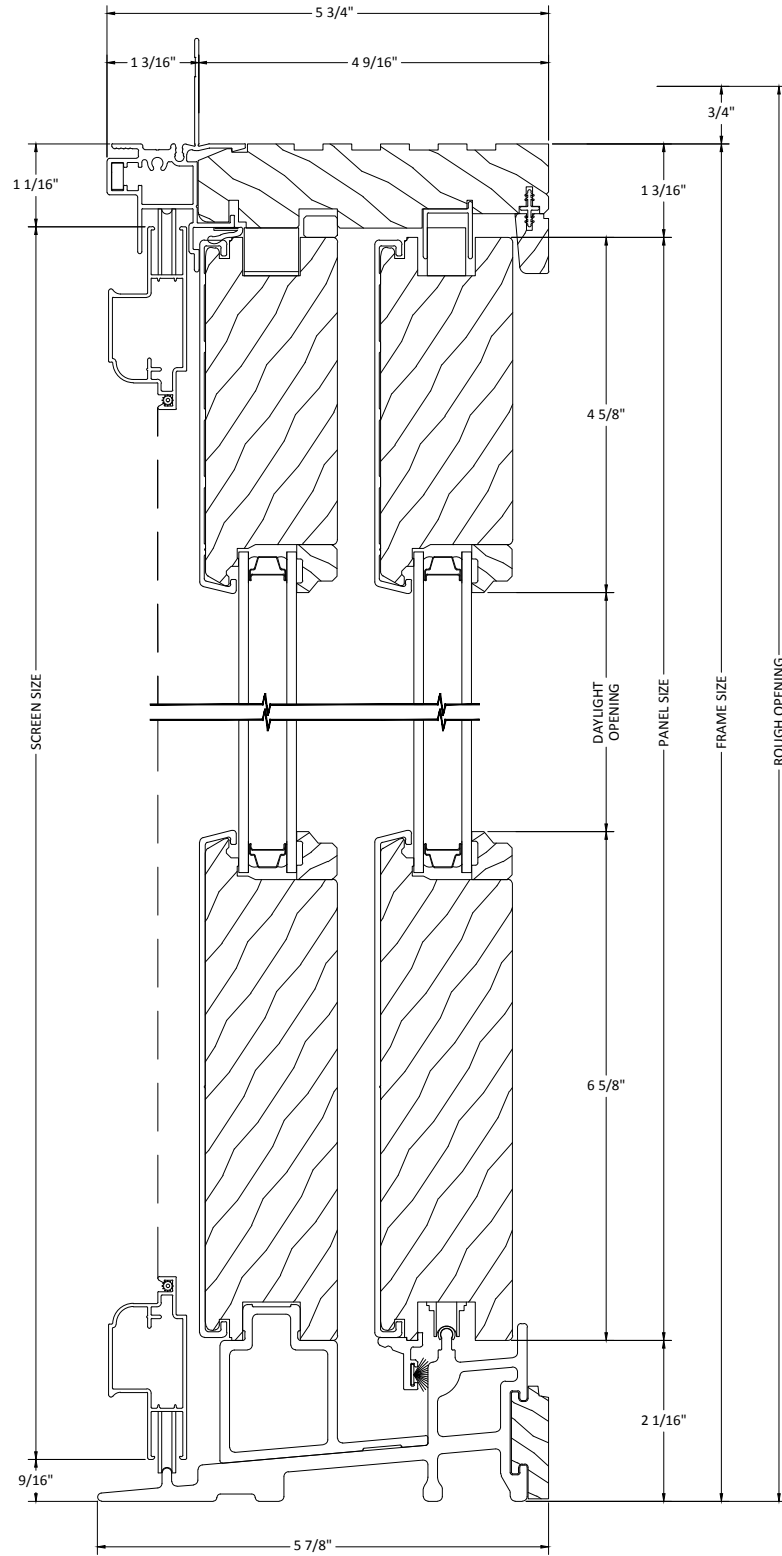
STANDARD RAISED PANEL OPTIONS



RAISED PANEL OPTIONS

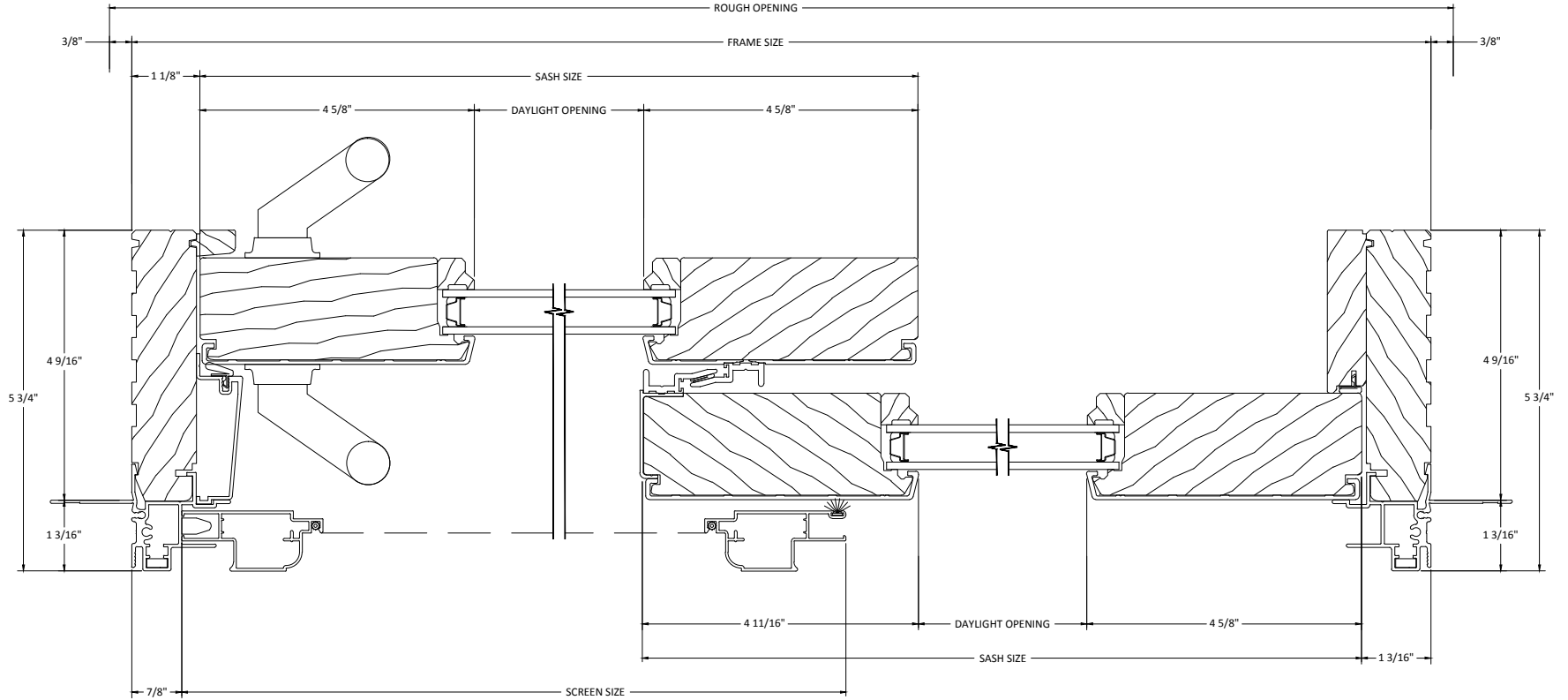


VERTICAL SECTION
WIDE STILE 2-PANEL UNIT

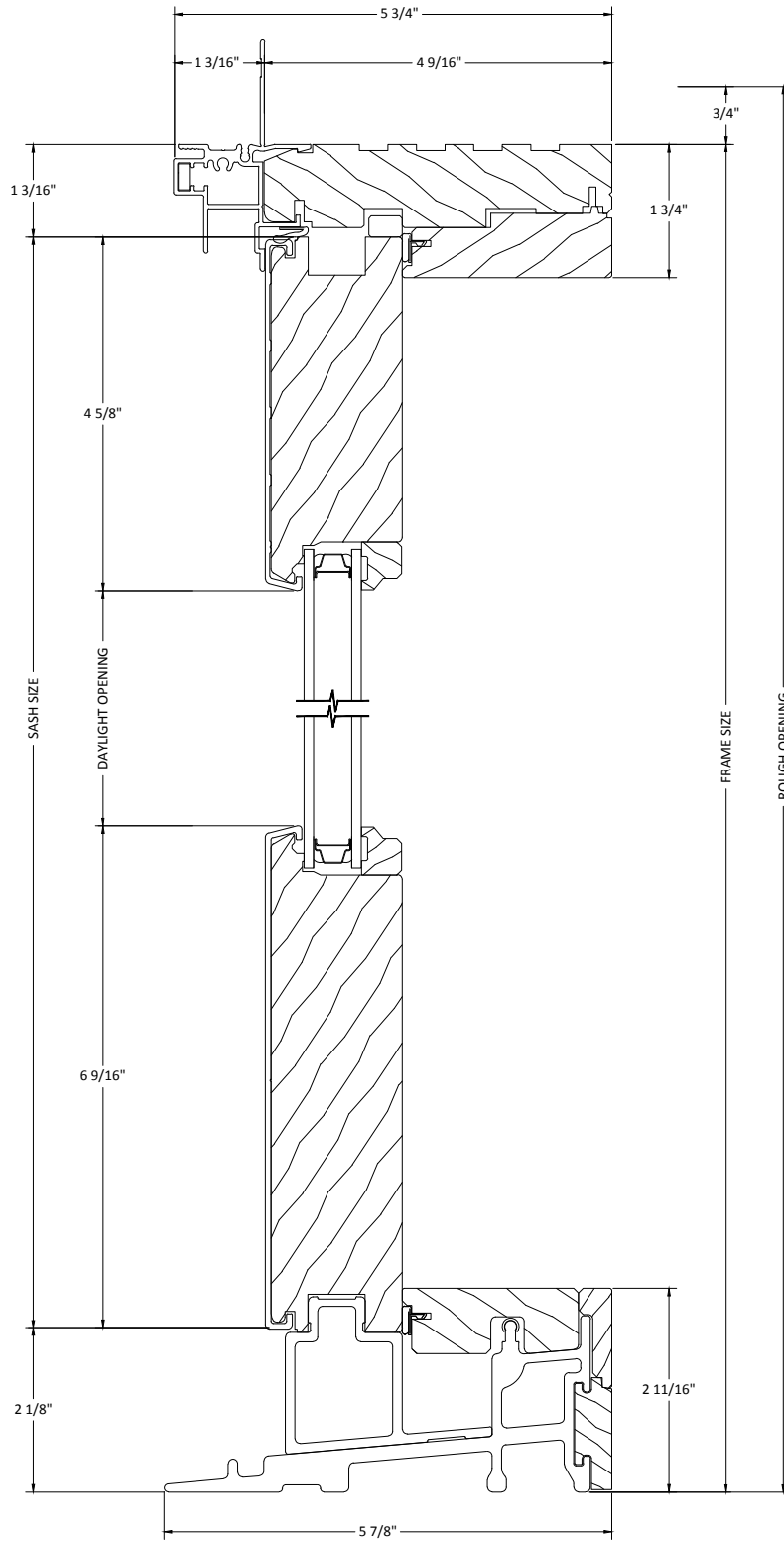


**CUSTOM CLAD WINDOWS
CUSTOM GLIDING PATIO DOOR**

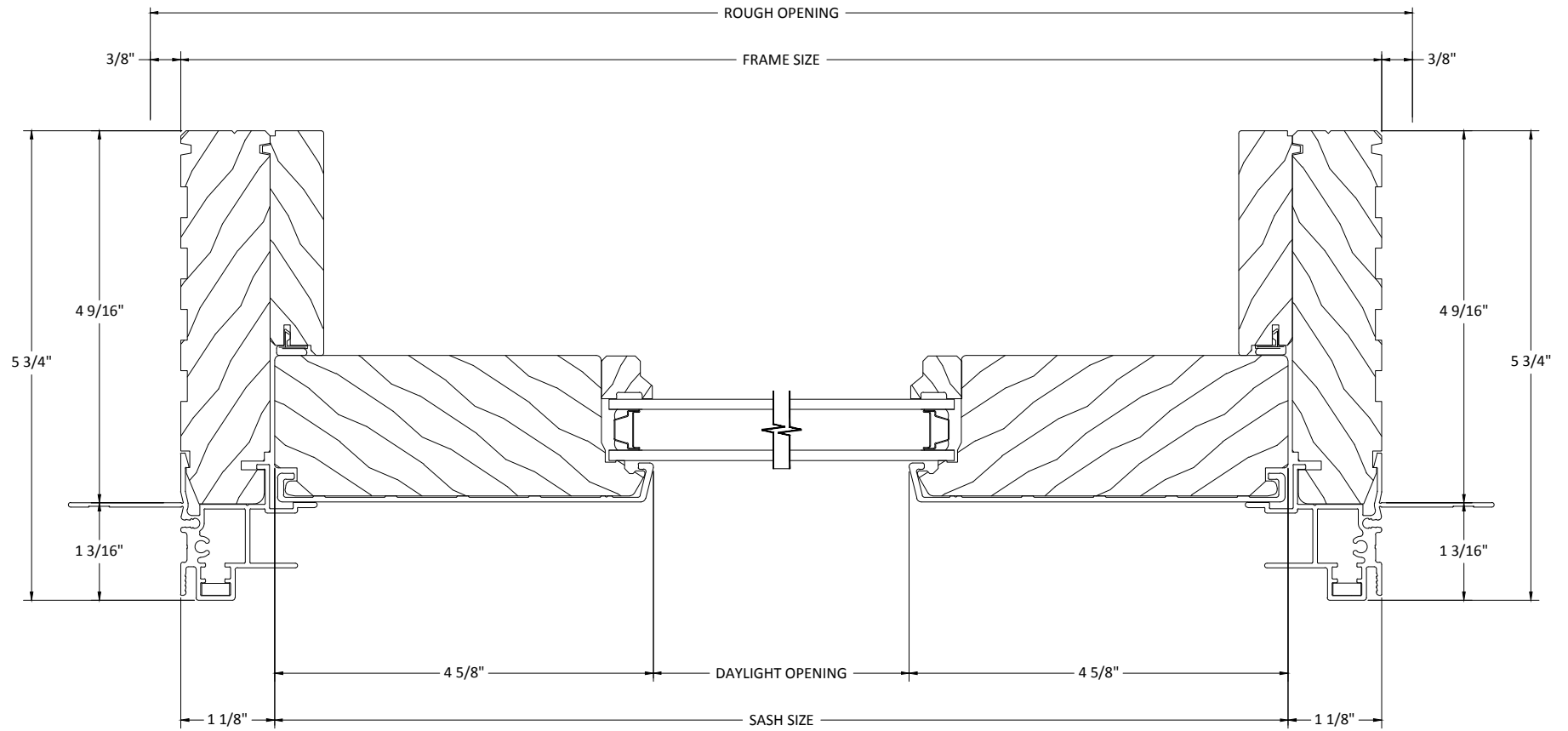
**HORIZONTAL SECTION
WIDE STILE 2-PANEL UNIT**



**VERTICAL SECTION
WIDE STILE STATIONARY UNIT**

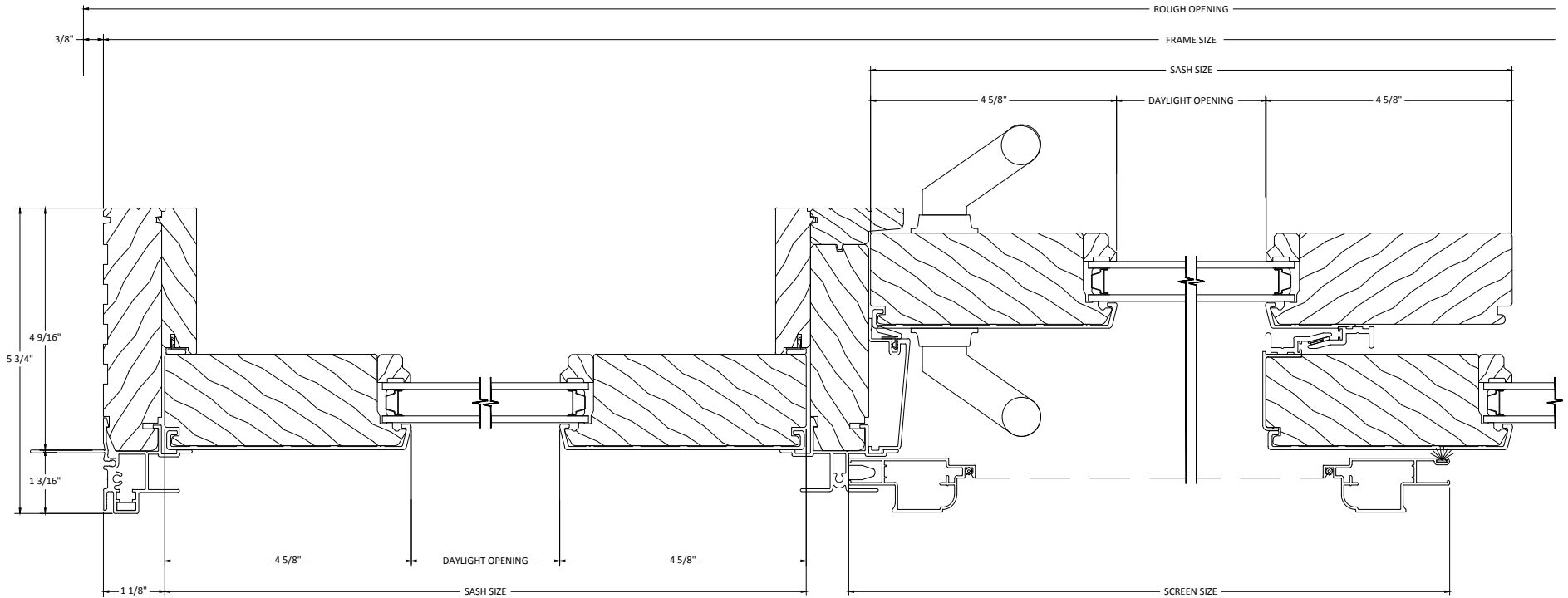


HORIZONTAL SECTION
WIDE STILE STATIONARY UNIT



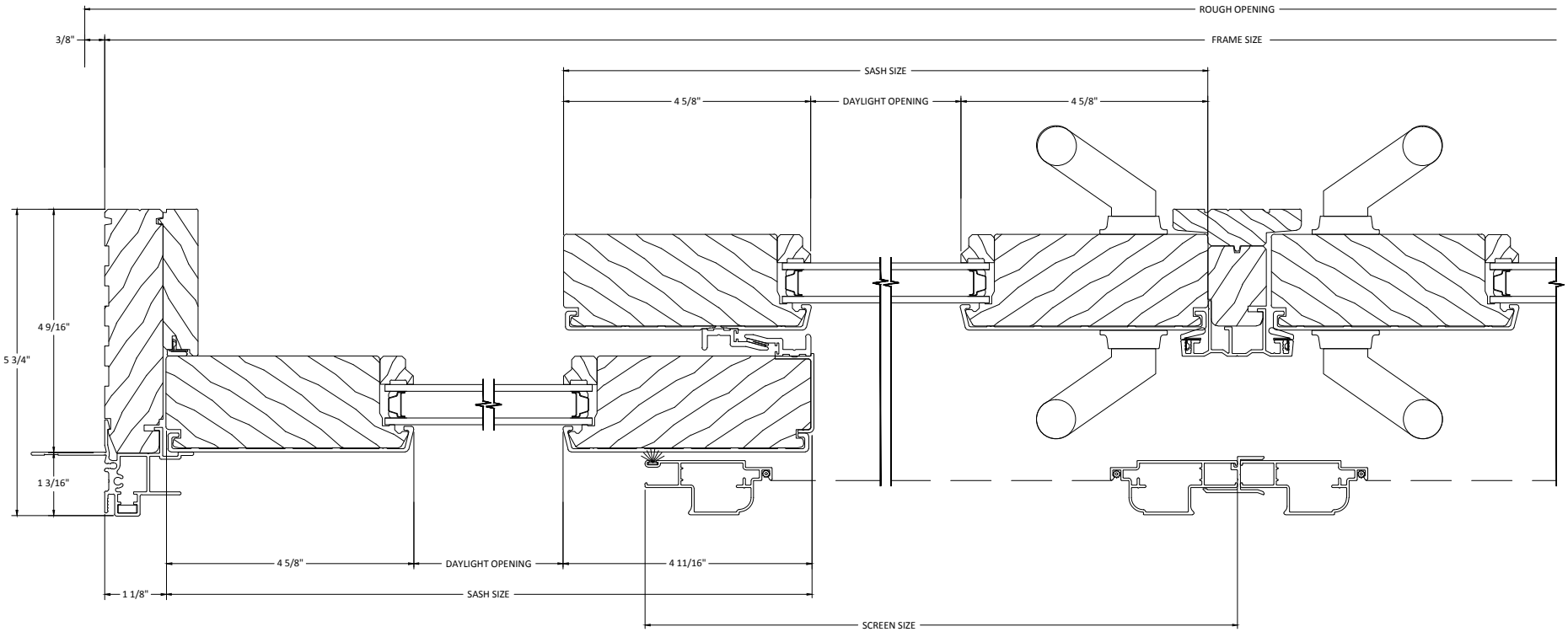
**CUSTOM CLAD WINDOWS
CUSTOM GLIDING PATIO DOOR**

**HORIZONTAL SECTION
WIDE STILE 3-PANEL UNIT**



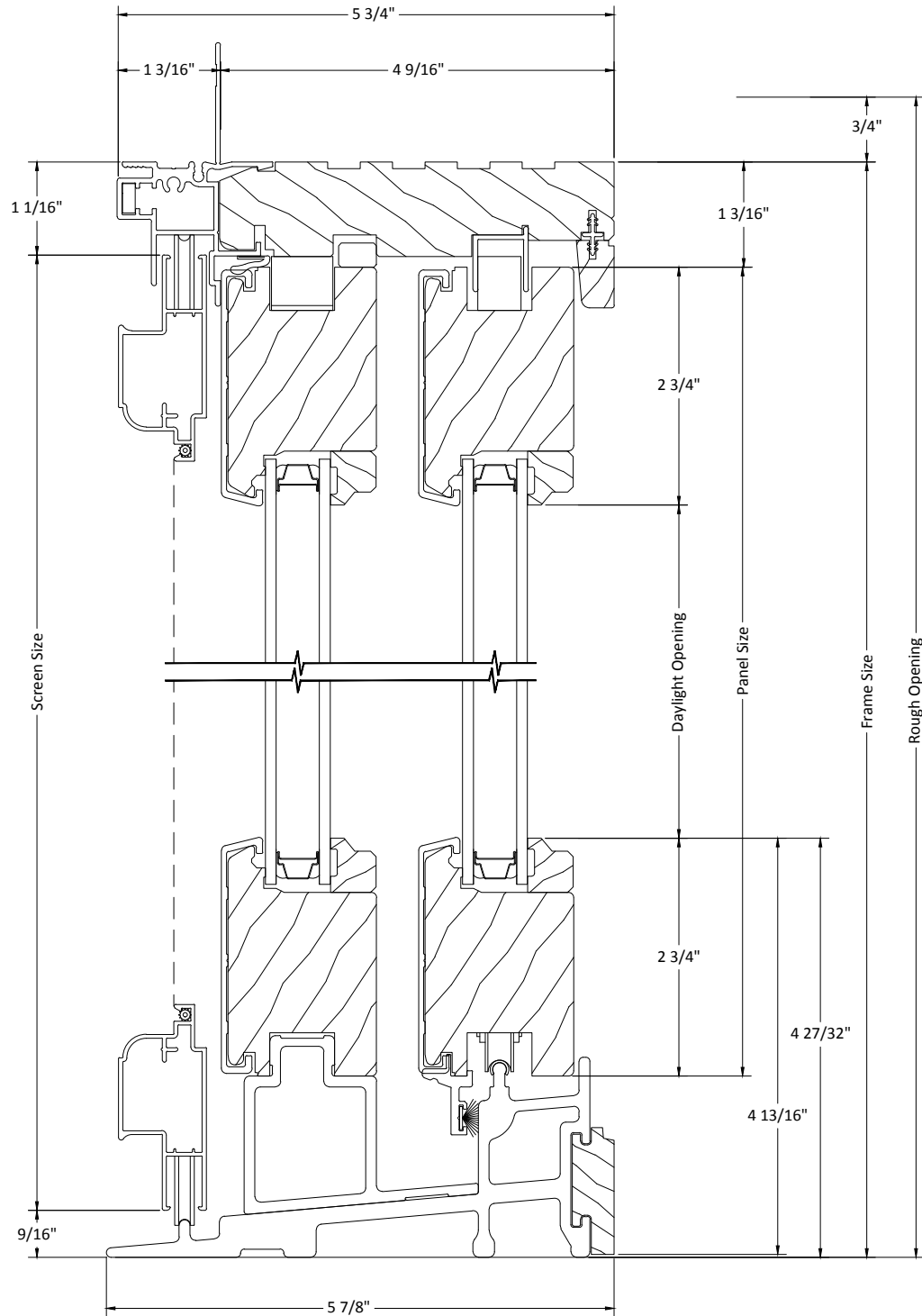
**CUSTOM CLAD WINDOWS
CUSTOM GLIDING PATIO DOOR**

**HORIZONTAL SECTION
WIDE STILE 4-PANEL UNIT**



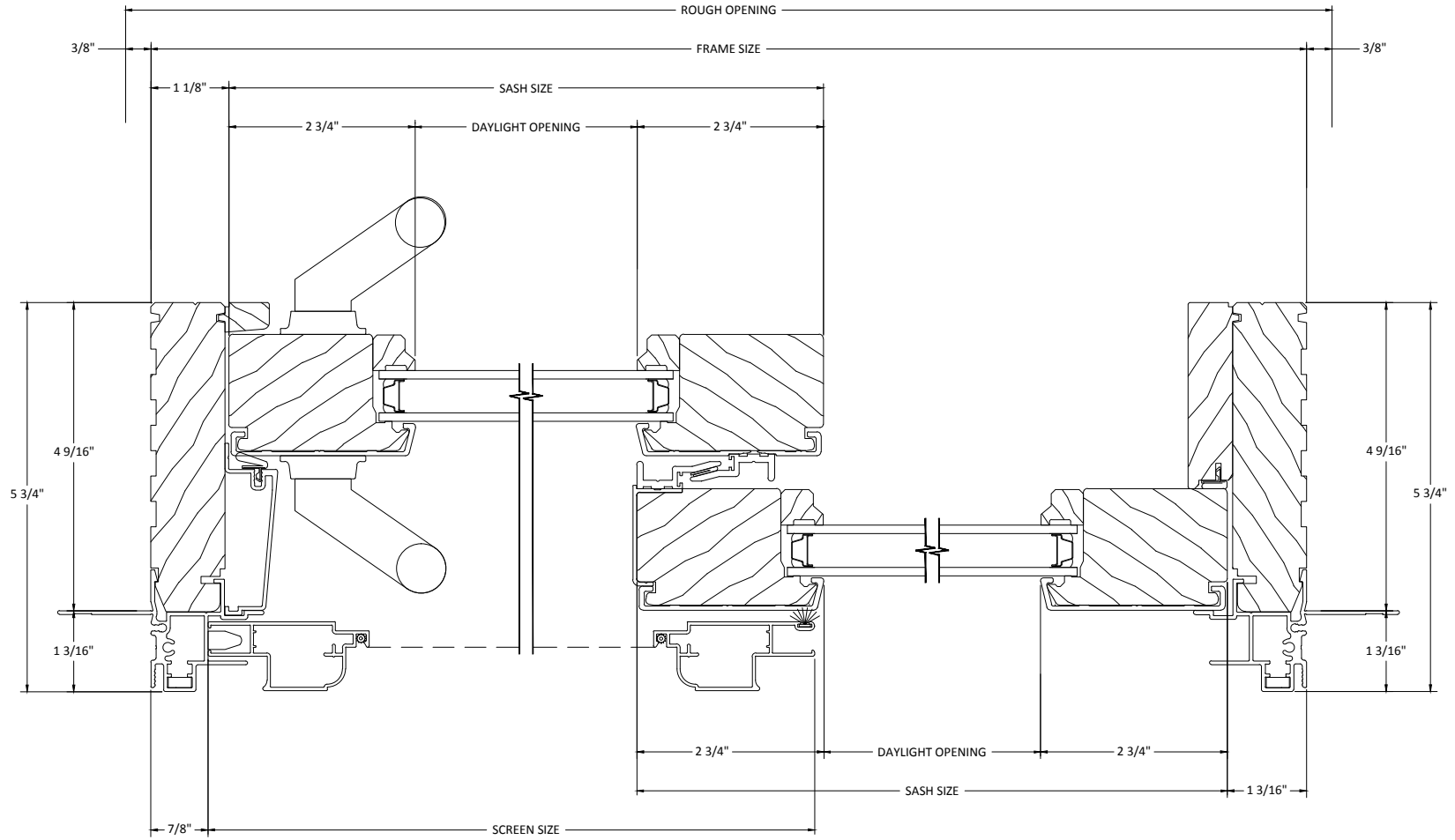
**CUSTOM CLAD WINDOWS
CUSTOM GLIDING PATIO DOOR**

**VERTICAL SECTION
NARROW STILE 2-PANEL UNIT**



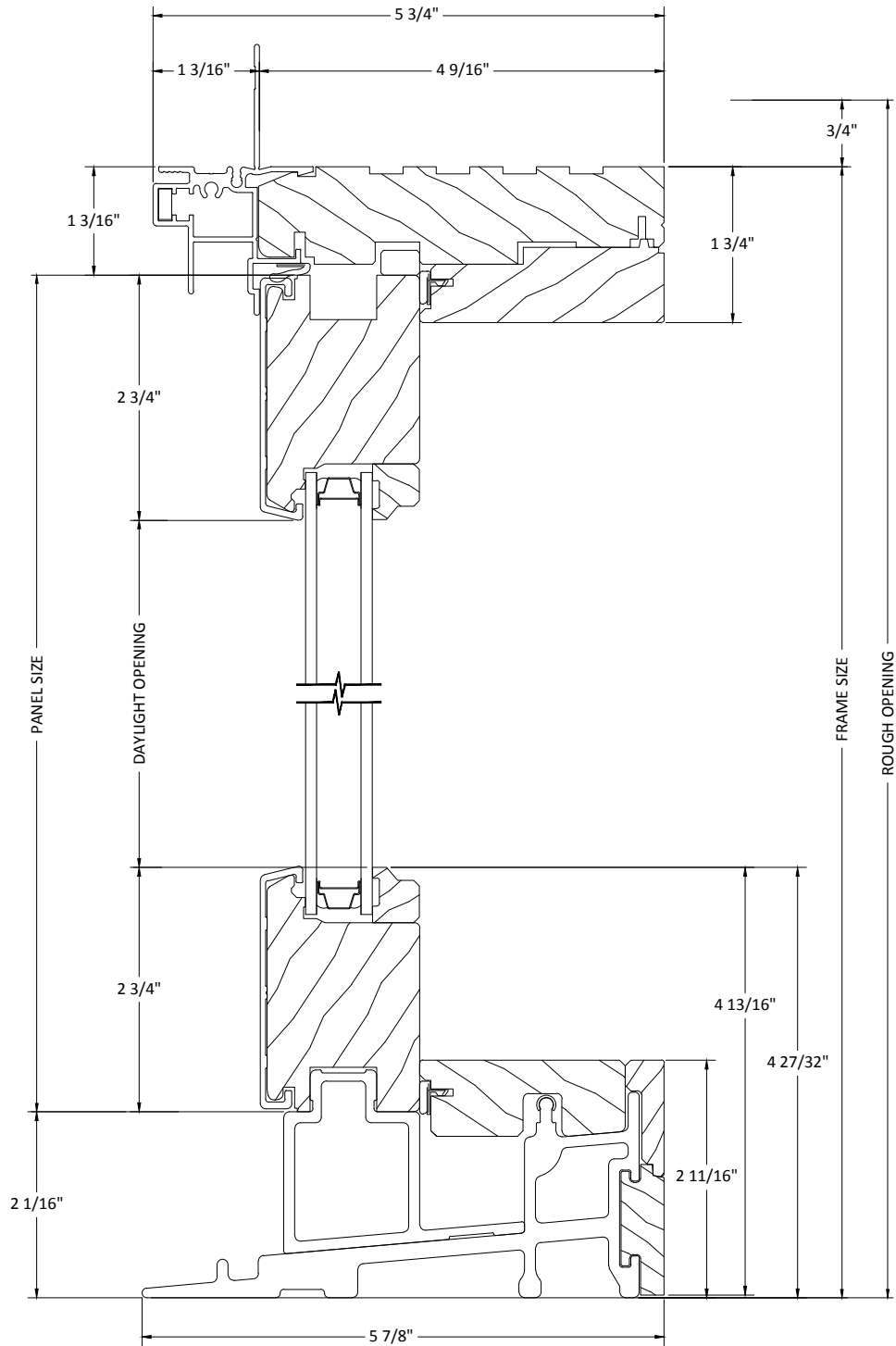
**CUSTOM CLAD WINDOWS
CUSTOM GLIDING PATIO DOOR**

**HORIZONTAL SECTION
NARROW STILE 2-PANEL UNIT**



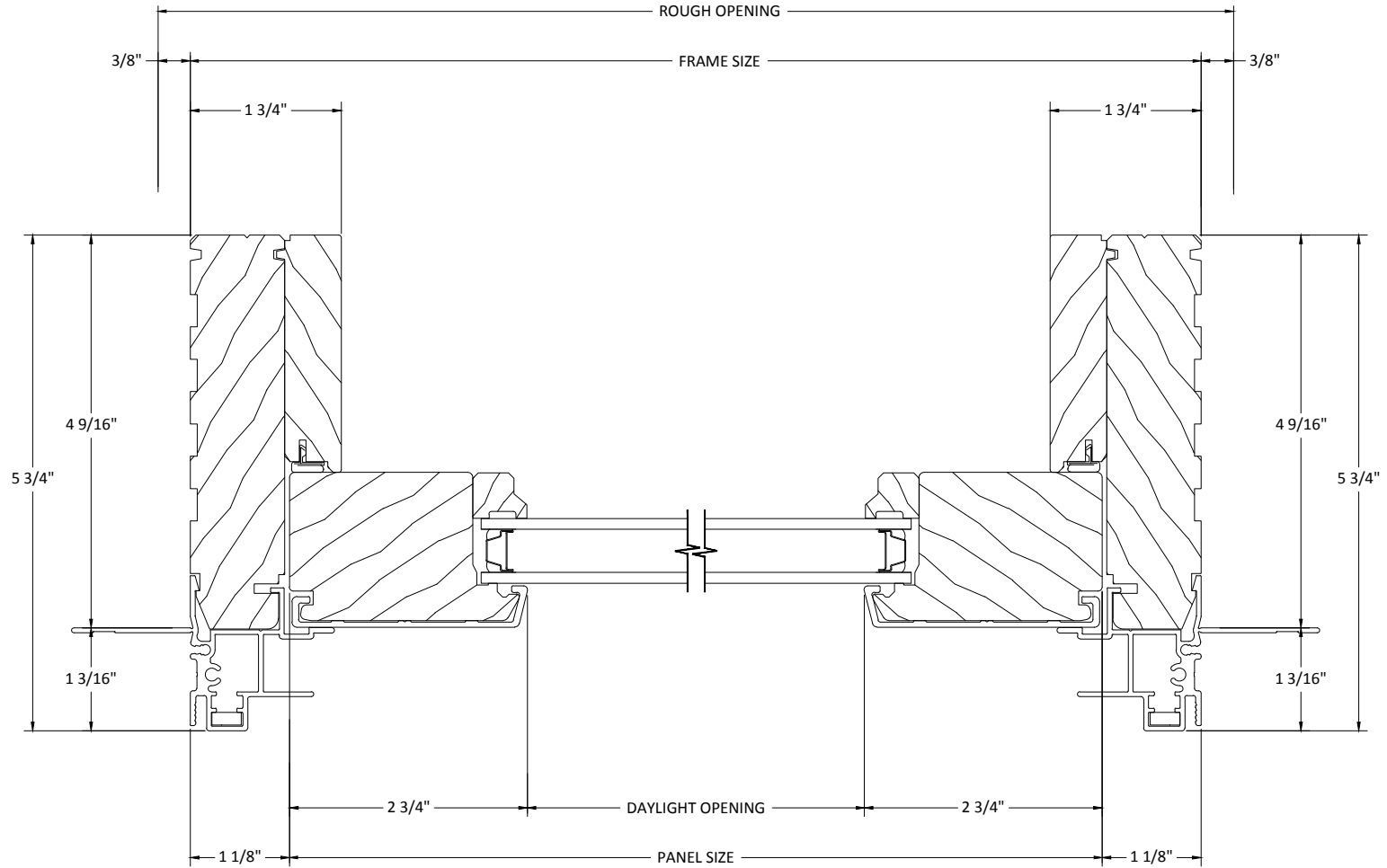
CUSTOM CLAD WINDOWS
CUSTOM GLIDING PATIO DOOR

VERTICAL SECTION
NARROW STILE STATIONARY UNIT



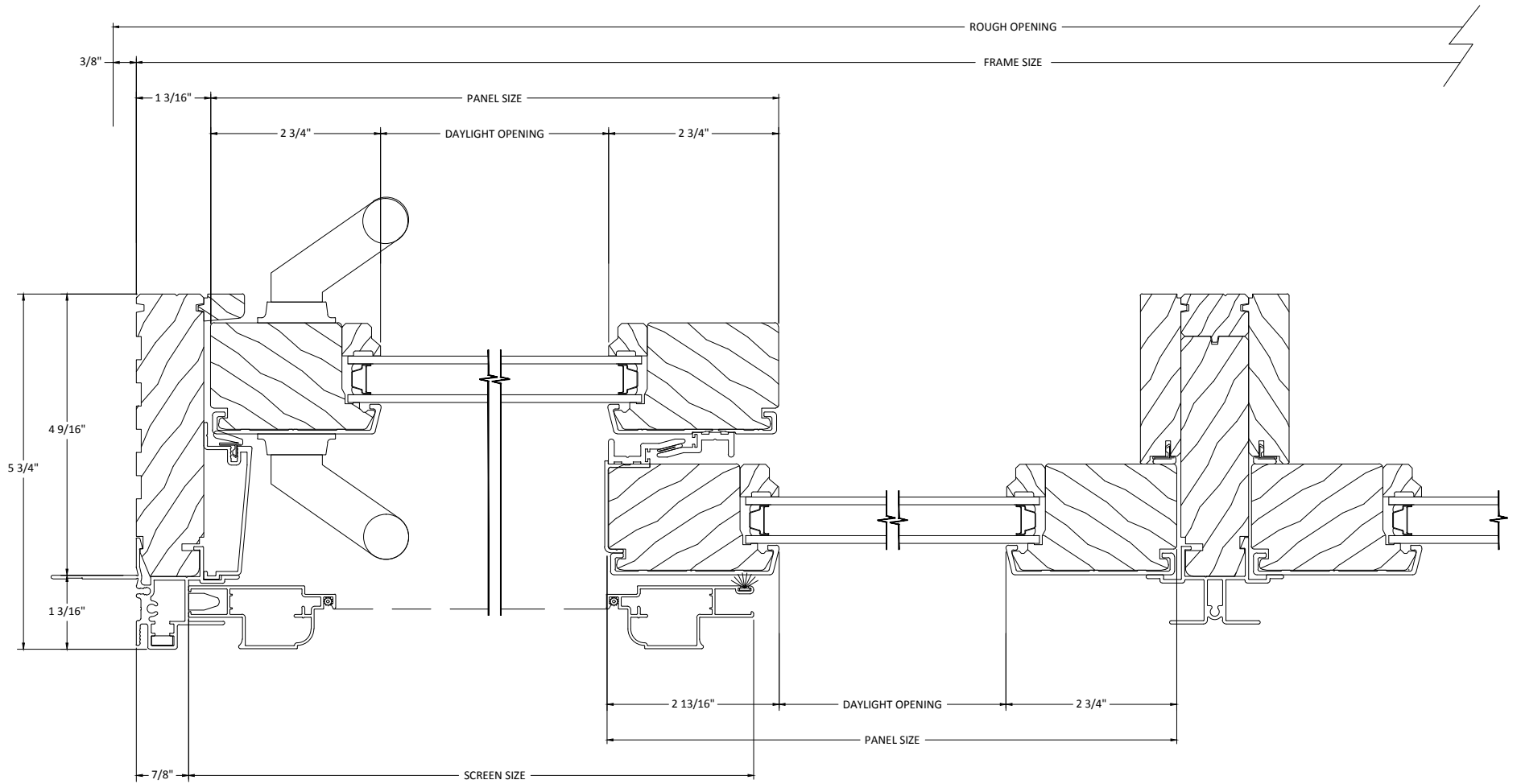
CUSTOM CLAD WINDOWS
CUSTOM GLIDING PATIO DOOR

HORIZONTAL SECTION
NARROW STILE STATIONARY UNIT



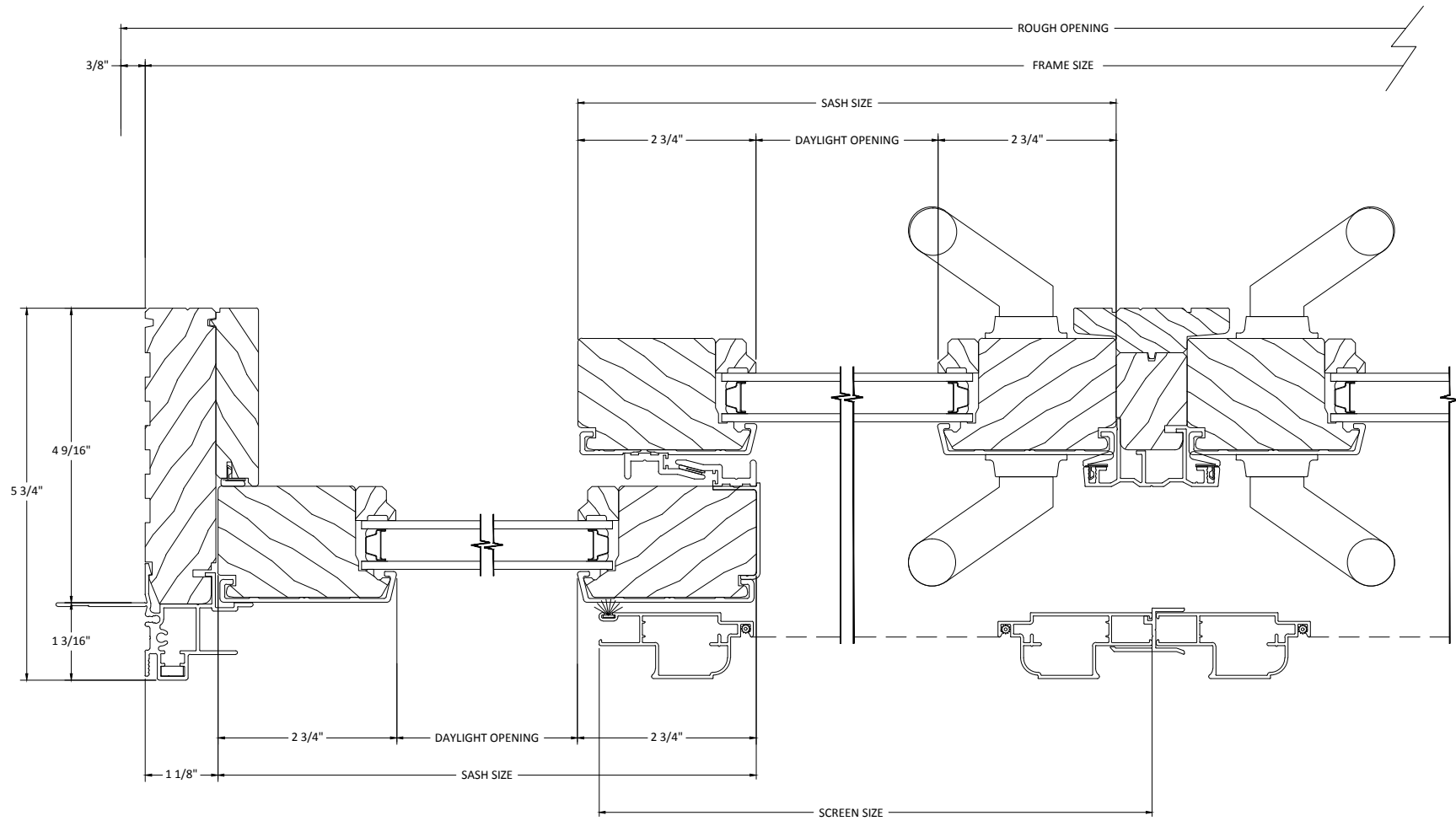
**CUSTOM CLAD WINDOWS
CUSTOM GLIDING PATIO DOOR**

**HORIZONTAL SECTION
NARROW STILE 3-PANEL UNIT**

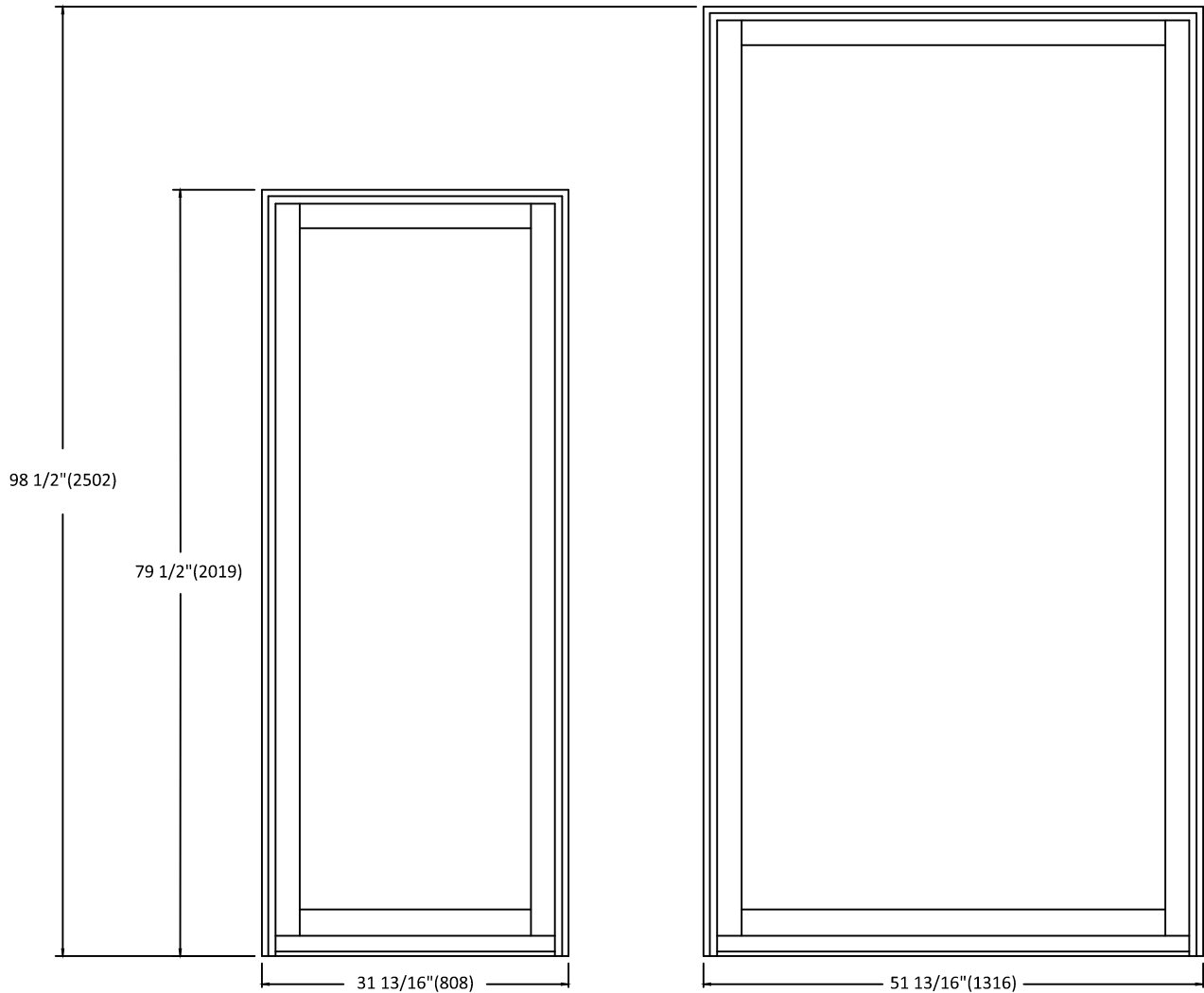


**CUSTOM CLAD WINDOWS
CUSTOM GLIDING PATIO DOOR**

**HORIZONTAL SECTION
NARROW STILE 4-PANEL UNIT**



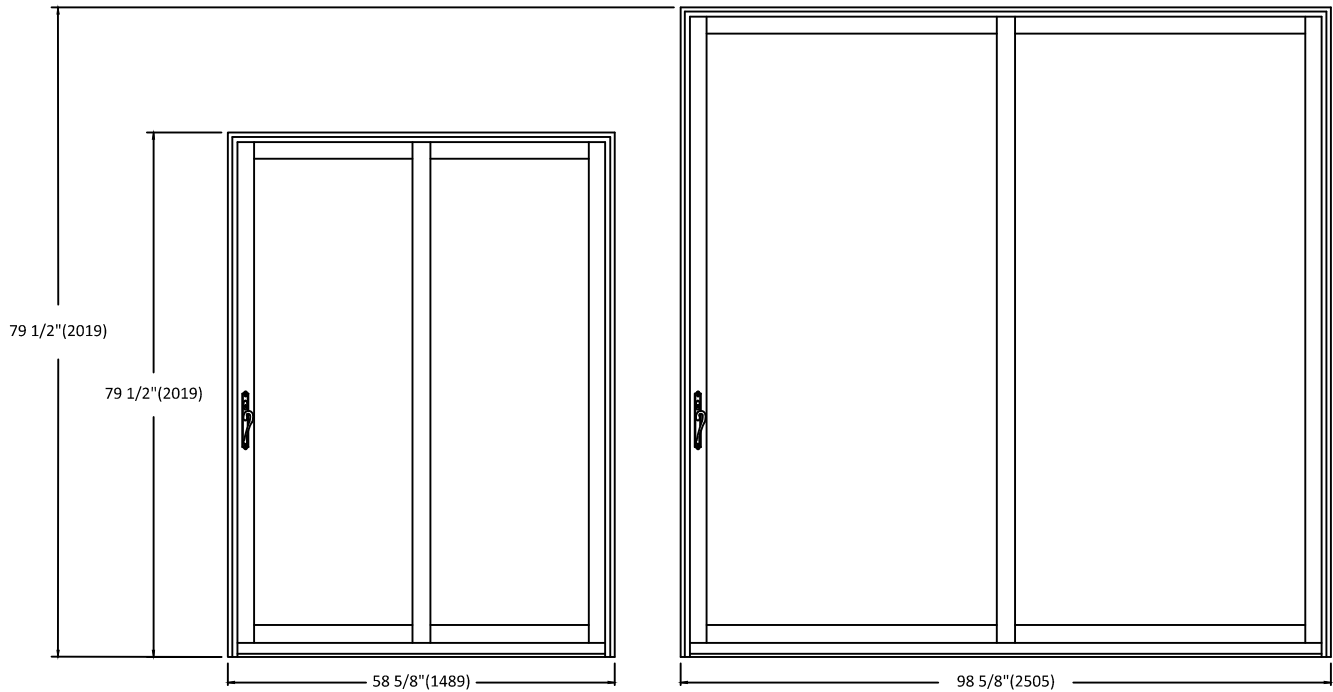
MIN & MAX SIZING 1 PANEL UNIT



Standard widths for Custom Clad Gliding Patio Door 1 panel unit:
31 13/16"(808mm), 33 13/16"(859mm), 37 13/16"(960mm), 39 13/16"(1011mm)
49 13/16"(1265mm), 51 13/16"(1316mm).

Standard heights for Custom Clad Gliding Patio Door 1 panel unit:
79 1/2"(2019mm), 82 1/2"(2096mm), 86 1/2"(2197mm), 95 1/2"(2426mm)
98 1/2"(2502mm).

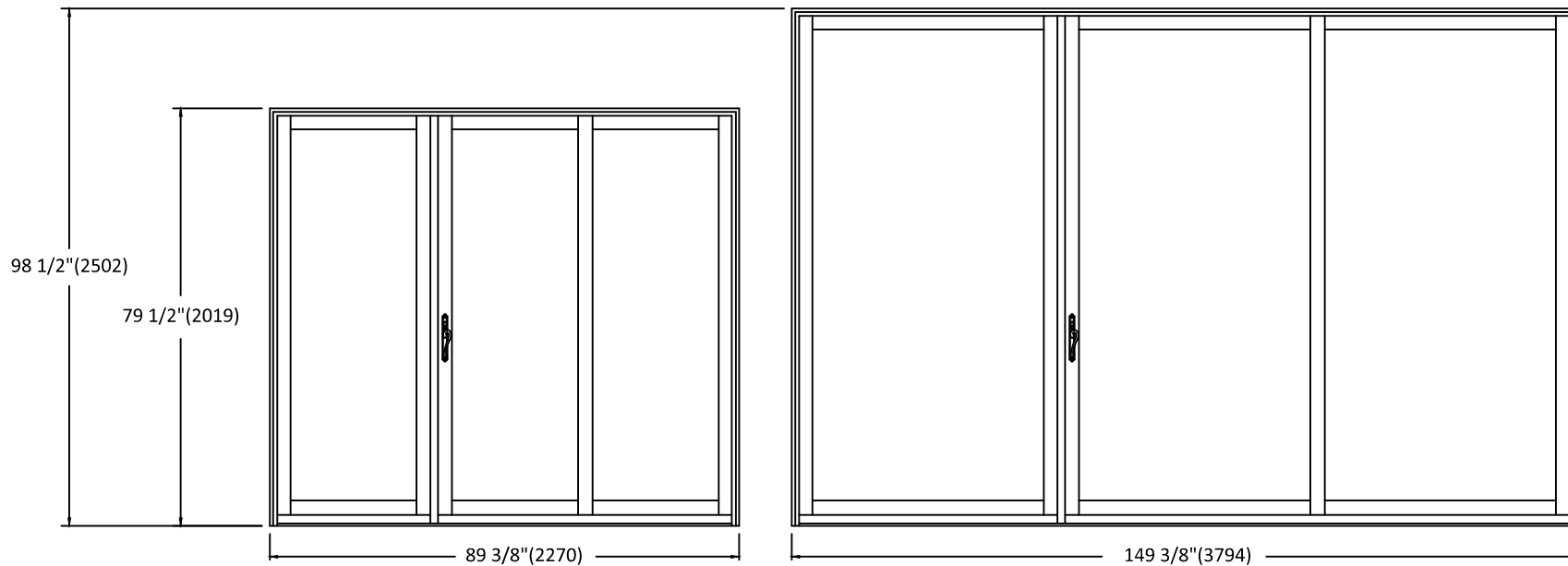
MIN & MAX SIZING 2 PANEL UNIT



Standard widths for Custom Clad Gliding Patio Door 2 panel unit:
58 5/8"(1489mm), 62 5/8"(1591mm), 70 5/8"(1794mm), 94 5/8"(2403mm),
98 5/8"(2505mm).

Standard heights for Custom Clad Gliding Patio Door 2 panel unit:
79 1/2"(2019mm), 82 1/2"(2096mm), 86 1/2"(2197mm), 95 1/2"(2426mm),
98 1/2"(2502mm).

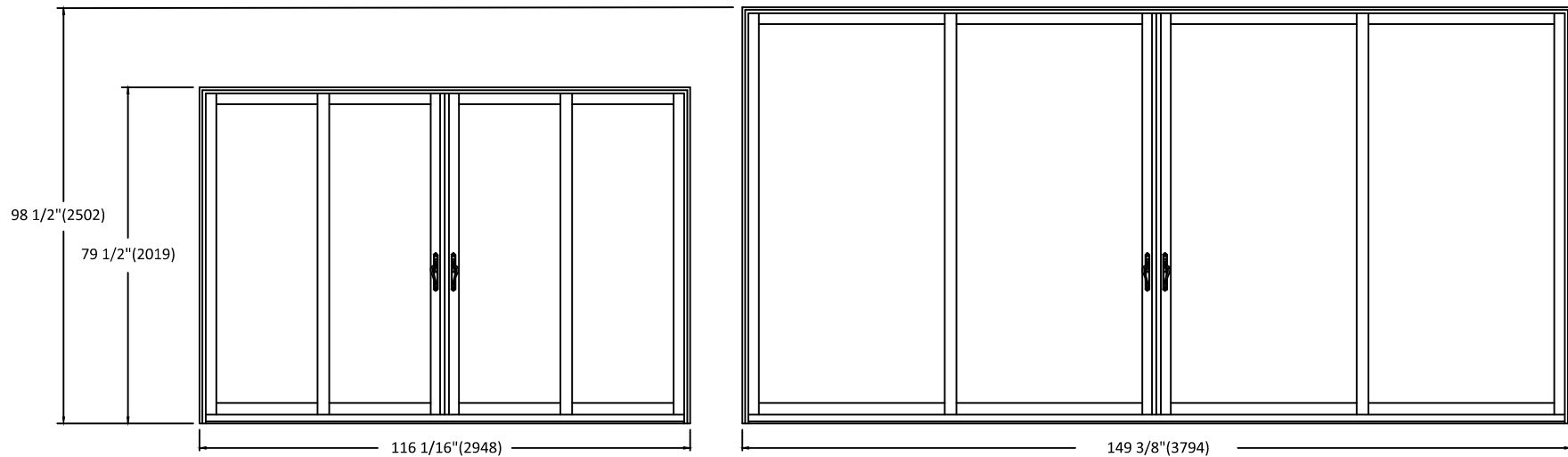
MIN & MAX SIZING 3 PANEL UNIT



Standard widths for Custom Clad Gliding Patio Door 3 panel unit:
89 3/8"(2270mm), 95 3/8"(2423mm), 107 3/8"(2727mm), 113 3/8"(2880mm),
144 3/8"(3642mm), 149 3/8"(3794mm).

Standard heights for Custom Clad Gliding Patio Door 3 panel unit:
79 1/2"(2019mm), 82 1/2"(2096mm), 86 1/2"(2197mm), 95 1/2"(2426mm)
98 1/2"(2502mm).

MIN & MAX SIZING 4 PANEL UNIT



Standard widths for Custom Clad Gliding Patio Door 4 panel unit:
116 1/16" (2948mm), 124 1/16" (3151mm), 140 1/16" (3558mm),
148 1/16" (3761mm), 188 1/16" (4777mm), 196 1/16" (4980mm).

Standard heights for Custom Clad Gliding Patio Door 4 panel unit:
79 1/2" (2019mm), 82 1/2" (2096mm), 86 1/2" (2197mm), 95 1/2" (2426mm)
98 1/2" (2502mm).