



TABLE OF CONTENTS

Product Information

General Information.....	2
Lite Cut Information.....	3
Handling & Operation.....	4
Unit Sizing, Rough Opening & Masonry Openings.....	5

Options

Trim.....	6
Glazing.....	7
Glass Stop.....	8
Jamb Extender.....	9
Mullion:	
Standard.....	10
Spread.....	11
Divided Lite.....	13

Sizing Details

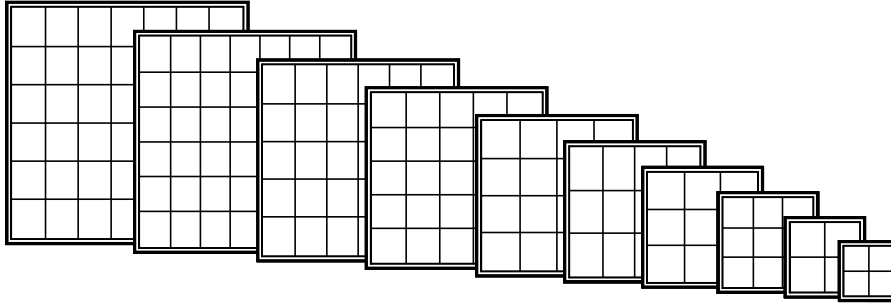
Min-Max Sizing:	
Standard.....	15
Picture.....	16

Sections Details

Operating:	
Vertical Section.....	17
Horizontal Section.....	18
Impact - Vertical Section.....	19
Impact - Horizontal Section.....	20
Fixed:	
Vertical Section.....	21
Horizontal Section.....	22
Impact - Vertical Section.....	23
Impact - Horizontal Section.....	24
Pushout:	
Vertical Section.....	25
Horizontal Section.....	26
Pushout Fixed:	
Vertical Section.....	27
Horizontal Section.....	28
Radius Top - Vertical Section.....	29
Direct Set Segment Head - Vertical Section.....	30
Bay & Bow - Vertical Section.....	31
Bay:	
30° - Horizontal Section.....	32
45° - Horizontal Section.....	33
Bow:	
3 Wide - Horizontal Section.....	34
4 Wide - Horizontal Section.....	35
5 Wide - Horizontal Section.....	36
6 Wide - Horizontal Section.....	37



GENERAL INFORMATION



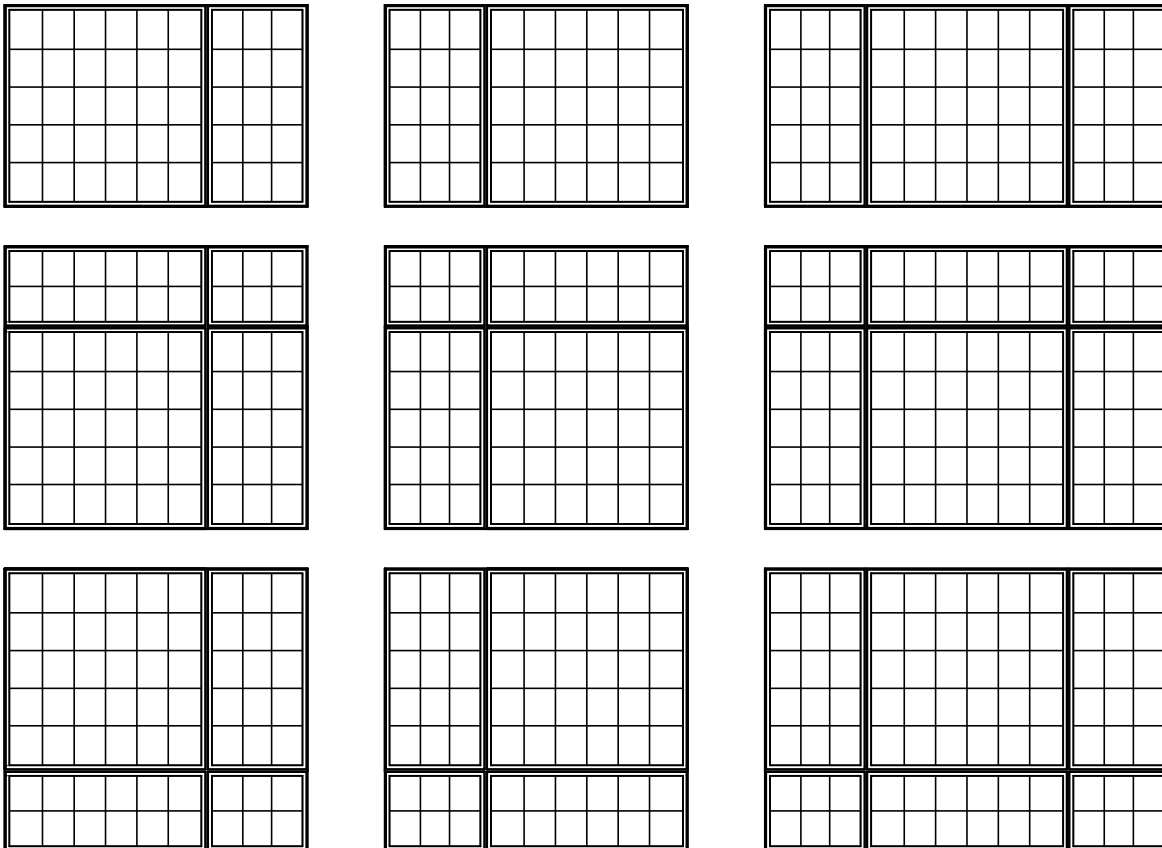
DIMENSIONAL WINDOWS

Siteline clad casement windows may be specified as "dimensional", by adjusting the desired rough opening width or height.

Siteline clad casement windows are available with left or right hand operation, or stationary (non-venting). Operating mechanism includes corrosion resistant steel hinges and dual arm roto-type operator with hardened steel gears and operating arms. Sash locks are concealed unison type with an exposed locking lever and escutcheon plate. There are several interior hardware finish options. Refer to the Specifications for finish options.

MULTIPLE ASSEMBLIES

Siteline clad casement windows may be mullered above, below, or beside other clad casement windows, or other clad window products.



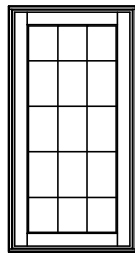


LITE CUT INFORMATION

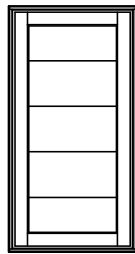
Siteline clad casement windows are available with removable grilles in 7/8", 1-1/8" and 1-3/8" widths, Airspace (between the panes) grilles, and Simulated Divided Lites. Standard lite cuts are rectangular, and conform to the layouts noted in the charts on the next page. To use the chart, refer to the appropriate table by the type of window and type of bars or grilles the section drawings illustrate. Then simply cross reference the frame Height and Width to determine the standard lite cut.

LITE CUT OPTIONS

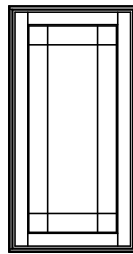
Special lite cut patterns can include a wide variety of straight line and radius patterns. The illustrations shown here represent just a few of the possibilities. Rectangular, horizontal, vertical and Prairie lite patterns are available in all standard size clad casement windows. Uneven, diamond, radius and Gothic lite cuts are available, subject to approval. Approvals are based on the ability to fulfill the design requirement while maintaining the construction integrity of the finished product.



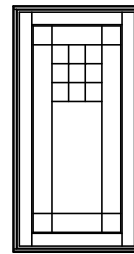
RECTANGULAR



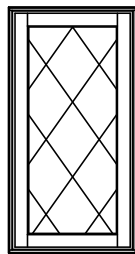
HORIZONTAL



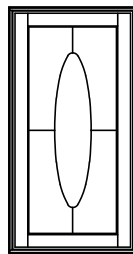
PRAIRIE



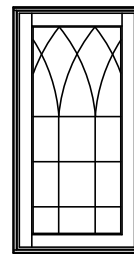
UNEVEN



DIAMOND



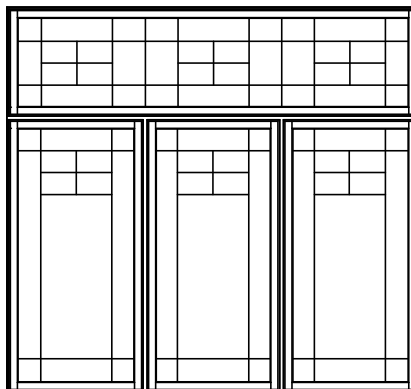
RADIUS



GOTHIC

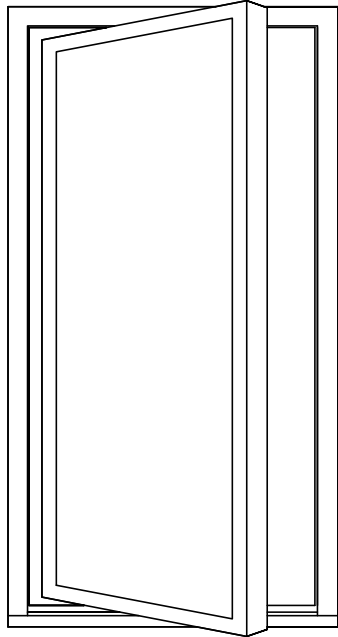
BAR ALIGNMENT

Alignment of divided lite muntin bars from one window to the next is often required by fine architectural design. Wood grilles, Grilles Between the Glass, grilles, and Simulated Divided Lites may be specified with muntin bars aligned.

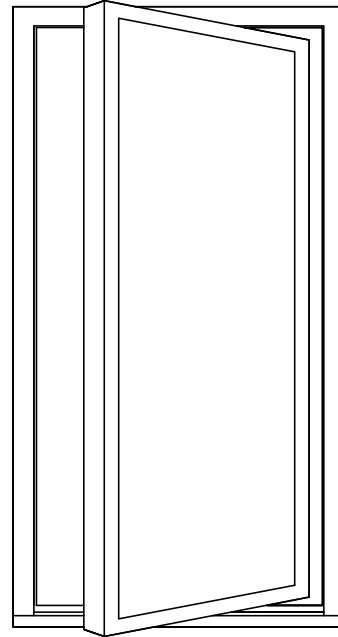




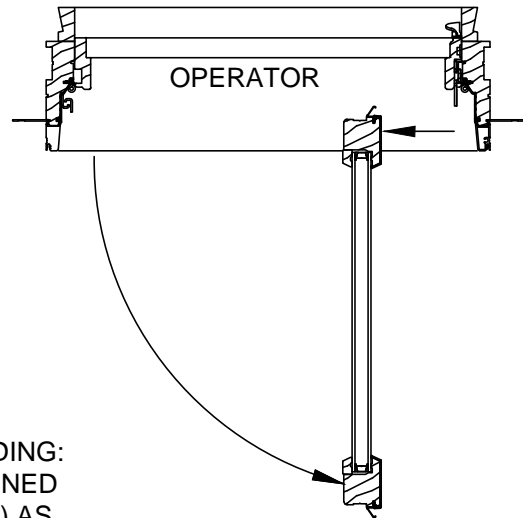
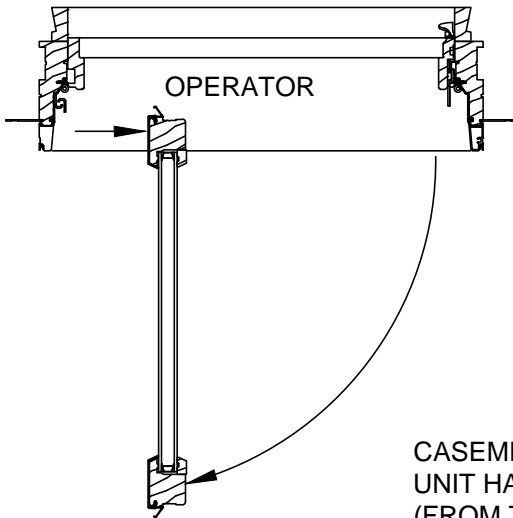
HANDING & OPERATION



LEFT
HAND



RIGHT
HAND



CASEMENT UNIT HANDING:
UNIT HANDING IS DEFINED
(FROM THE EXTERIOR) AS
THE DIRECTION THE SASH
OPENS.



UNIT SIZING, ROUGH OPENING & MASONRY OPENINGS

General Notes:

Unit size is always the maximum size of the window with or without trim and does not include nail fin.

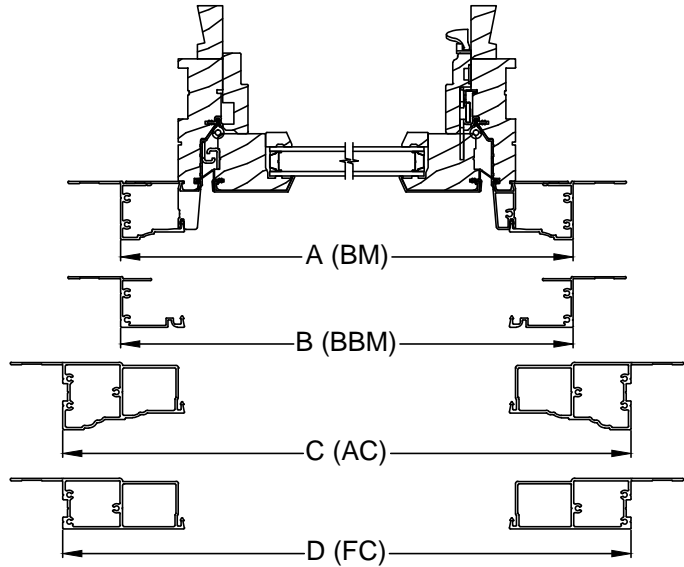
Masonry Opening:

Masonry opening is always 1/2" over (height and width) the unit size or the outside of the trim of the window.

Rough Opening:

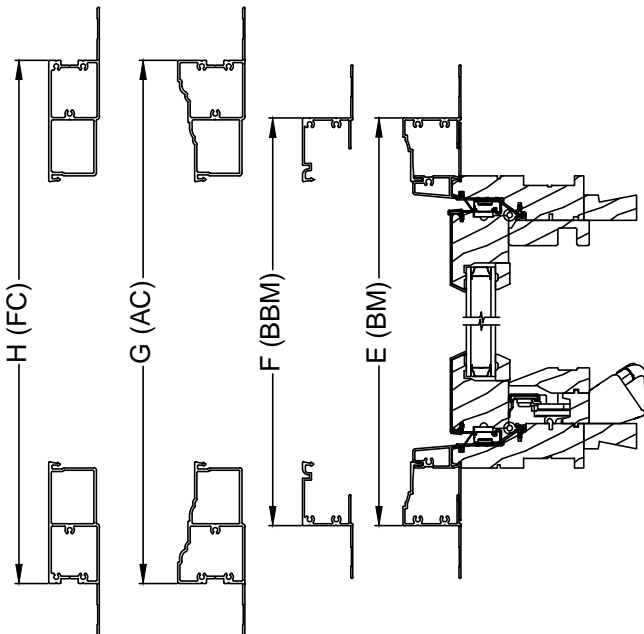
Rough opening is always 3/4" over frame size of the window.

Horizontal exterior trim offerings below are the same with or without sill nose.



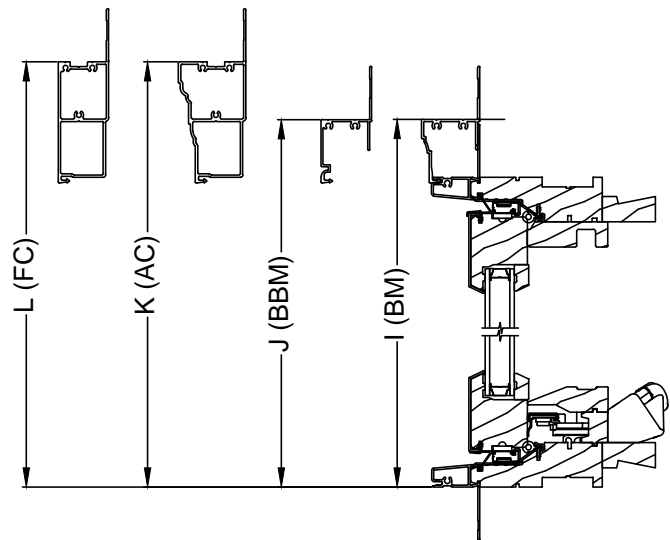
Horizontal Sections		
Trim Option	Dimension	Frame +
Brickmould (BM)	A	3"
Beaded Brickmould (BBM)	B	3"
Adams Casing (AC)	C	6"
3 1/2" Flat Casing (FC)	D	6"

Vertical exterior trim offerings without sill nose. Trim on all 4 sides.



Vertical Sections (w/o Sill Nose)		
Trim Option	Dimension	Frame +
Brickmould (BM)	E	3"
Beaded Brickmould (BBM)	F	3"
Adams Casing (AC)	G	6"
3 1/2" Flat Casing (FC)	H	6"

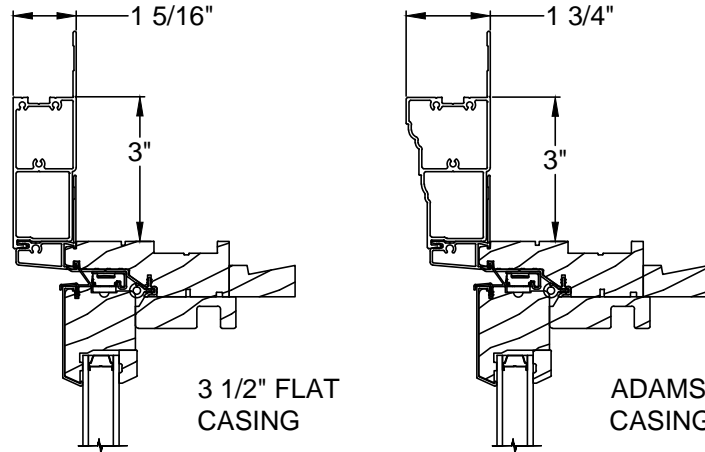
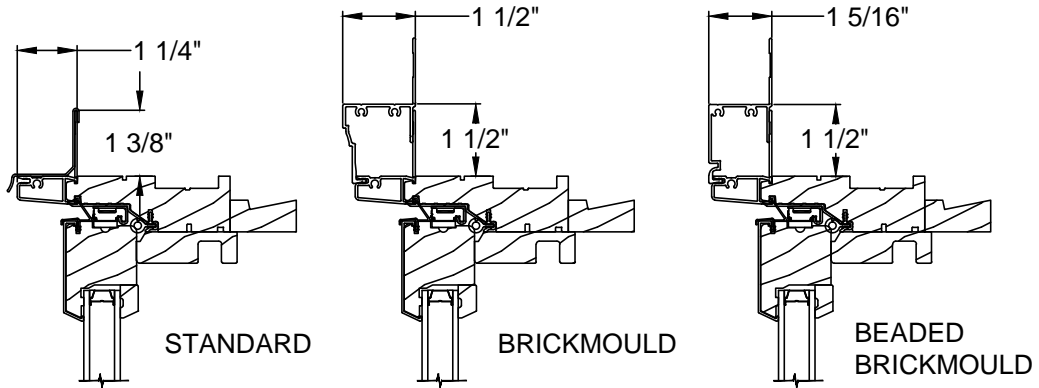
Vertical exterior trim offerings with standard sill nosing. Trim on 3 sides.



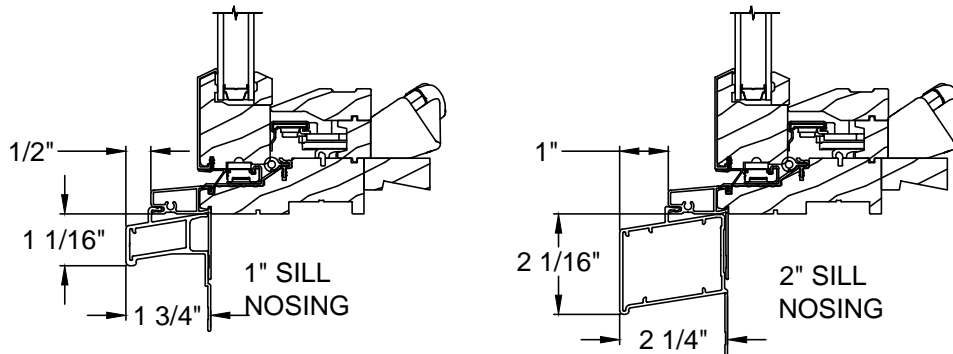
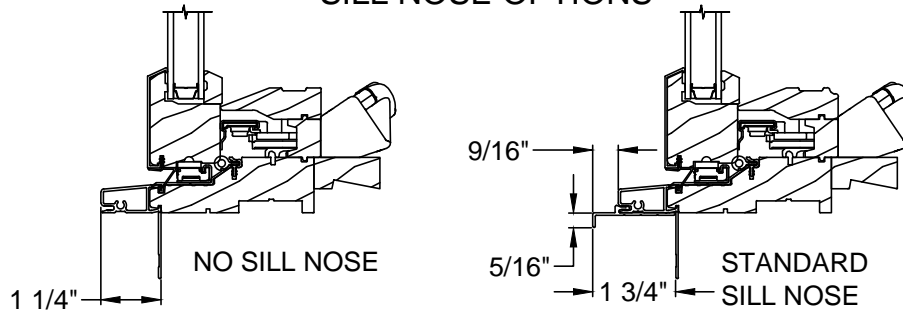
Vertical Sections (w/ Sill Nose)		
Trim Option	Dimension	Frame +
Brickmould (BM)	I	1-13/16"
Beaded Brickmould (BBM)	J	1-13/16"
Adams Casing (AC)	K	3-5/16"
3 1/2" Flat Casing (FC)	L	3-5/16"



TRIM OPTIONS

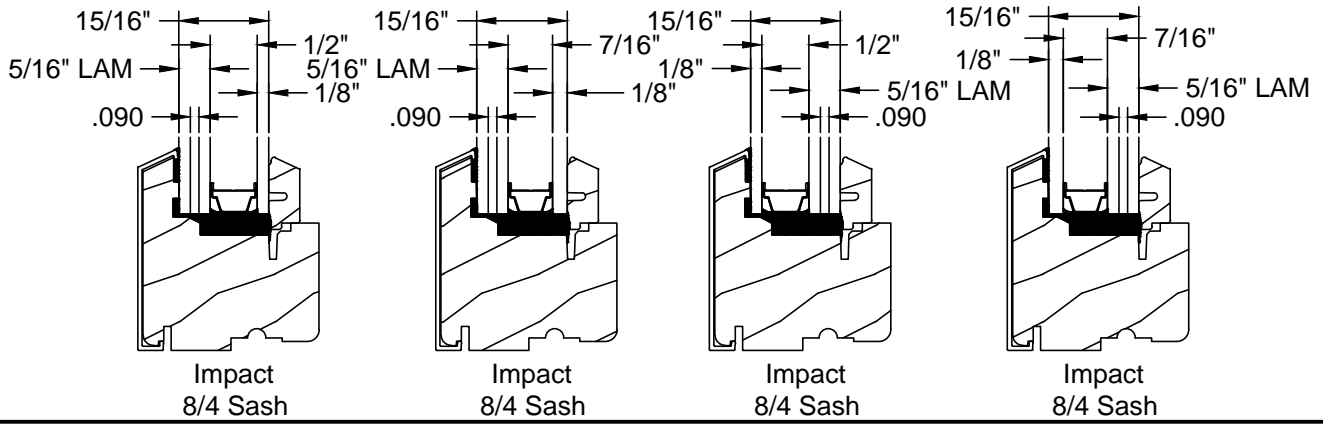
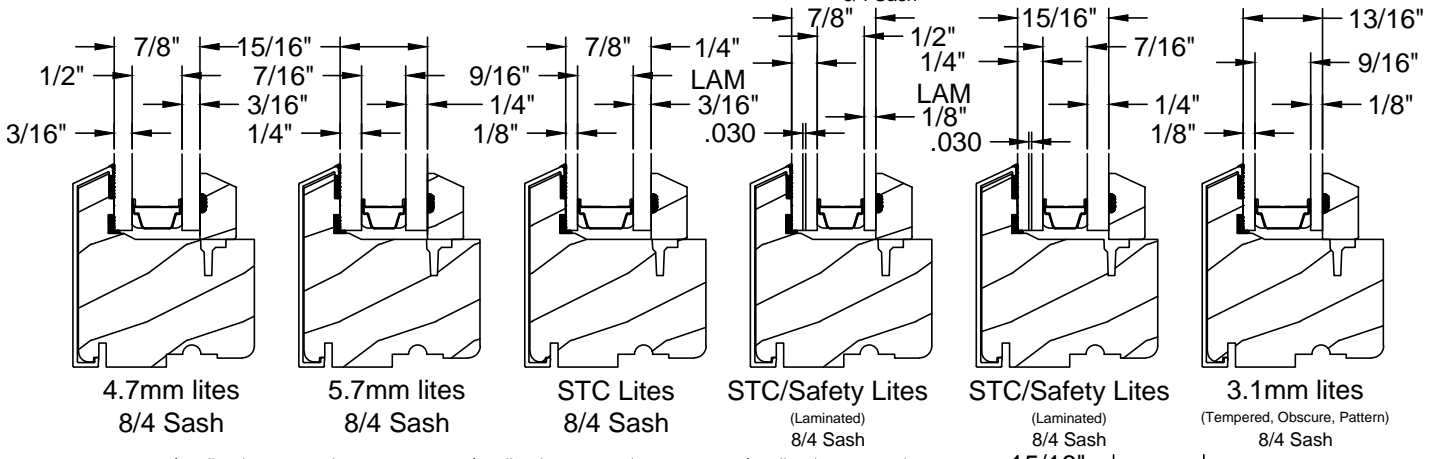
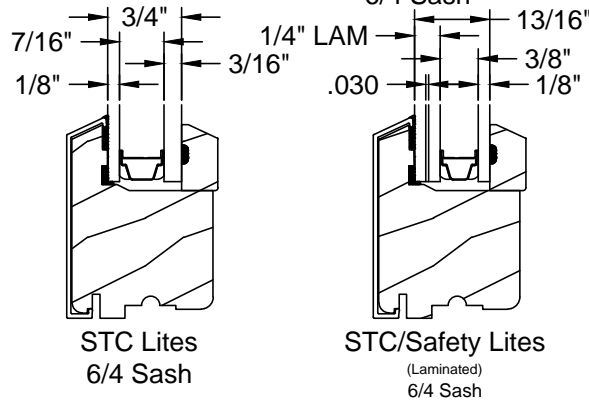
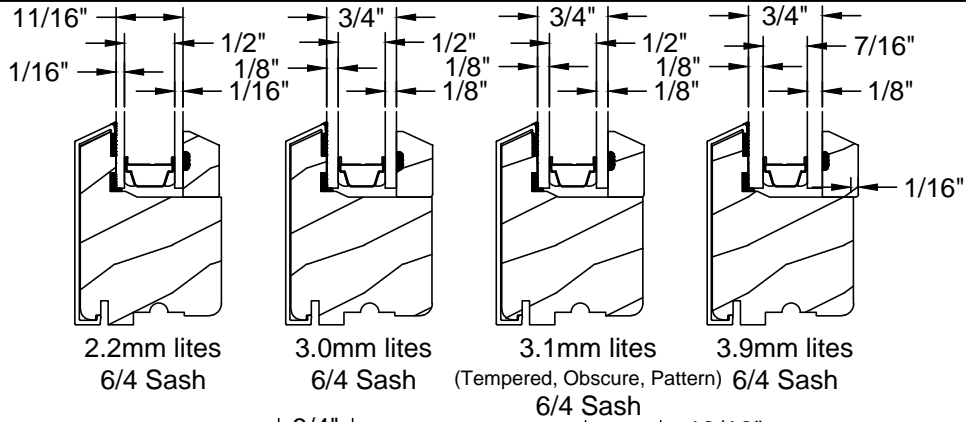


SILL NOSE OPTIONS



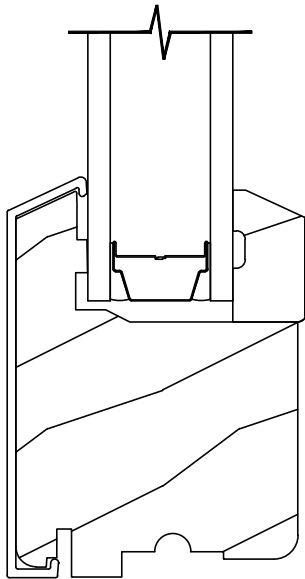


GLAZING OPTIONS

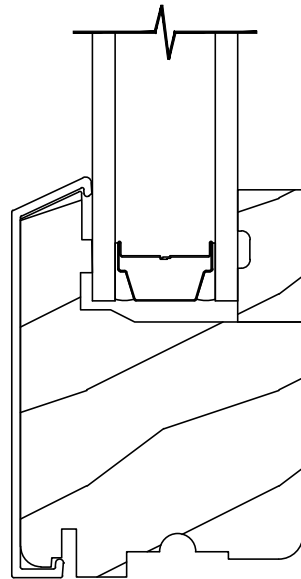




GLASS STOP OPTIONS



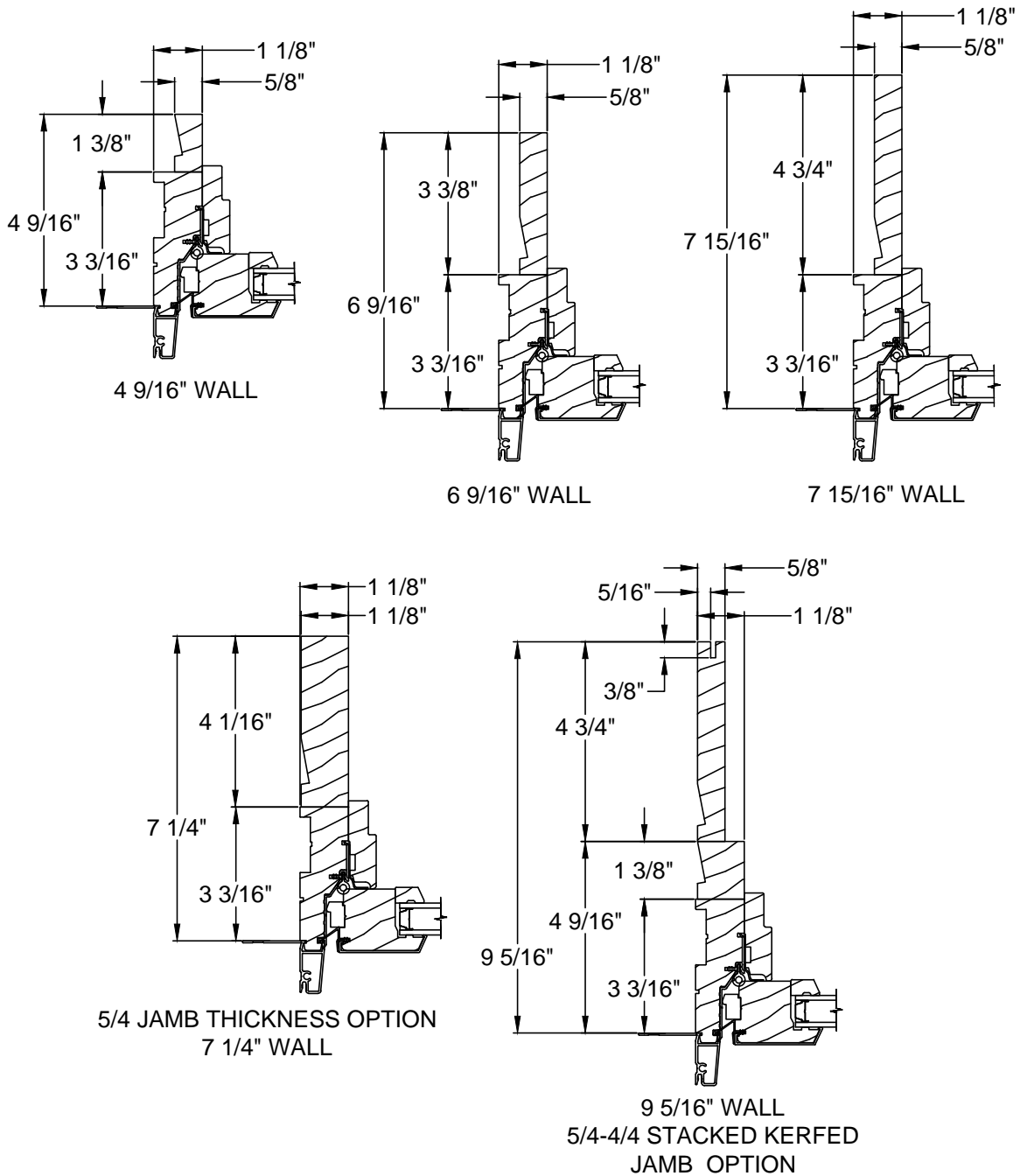
TRADITIONAL



CONTEMPORARY



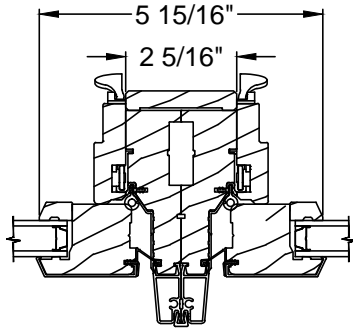
JAMB EXTENDER OPTIONS



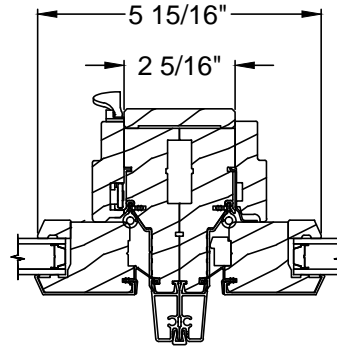
Kerfed Jamb Extension only available on 4/4 or 5/4 options
 Maximum jamb length for 4/4 is 7 15/16".
 Maximum jamb length for 5/4 is 7 1/4".
 Maximum jamb length for 5/4 2 piece stacked is 12".



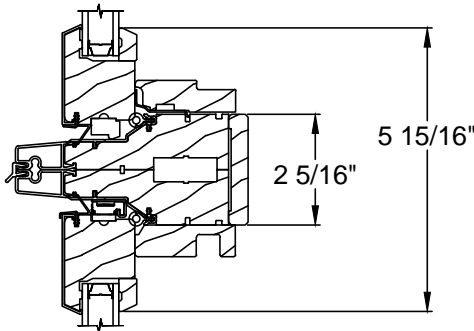
MULLION OPTIONS - STANDARD



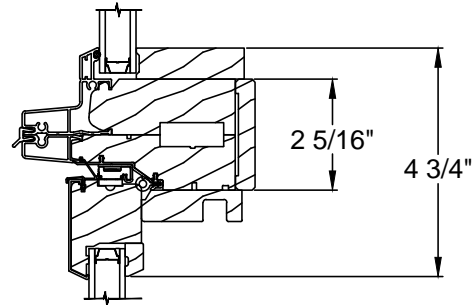
Operating - Operating



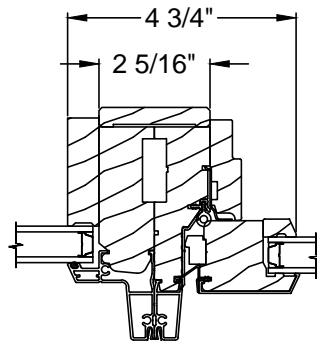
Operating - Stationary



Stationary
Operating



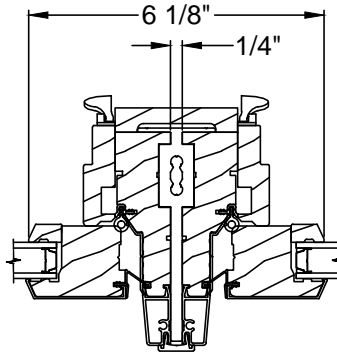
Direct Set
Operating



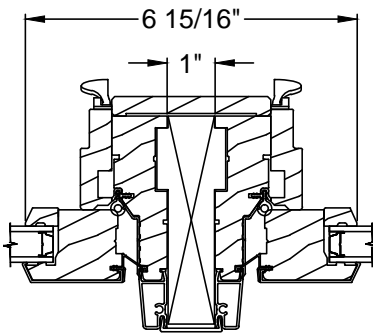
Direct Set - Operating



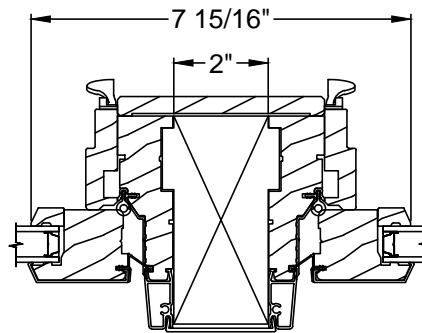
MULLION OPTIONS - SPREAD



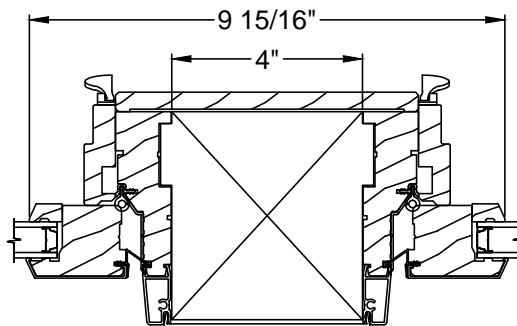
OPERATING / OPERATING
W/ 1/4" STRUCTURAL MULL
HORIZONTAL SECTION



OPERATING / OPERATING
W/ 1" SOLID SPREAD MULL
HORIZONTAL SECTION



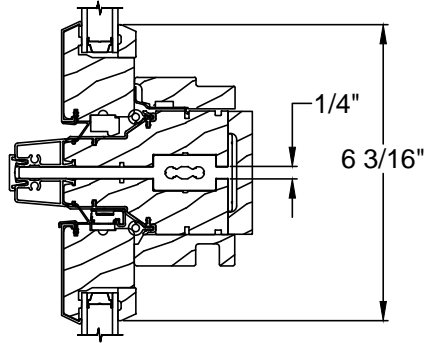
OPERATING / OPERATING
W/ 2" SOLID SPREAD MULL
HORIZONTAL SECTION



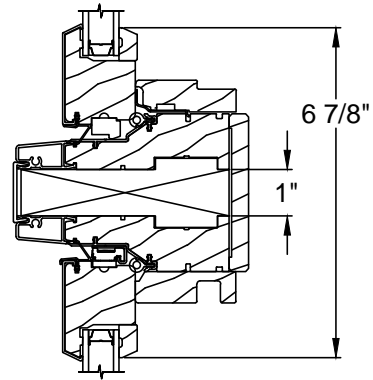
OPERATING / OPERATING
W/ 4" SOLID SPREAD MULL
HORIZONTAL SECTION



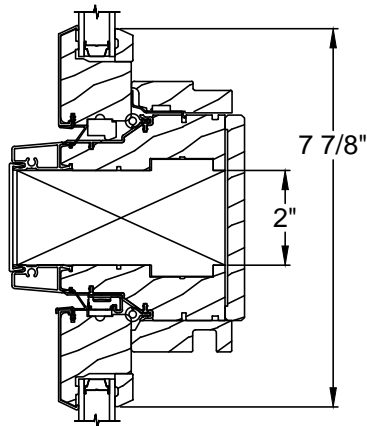
MULLION OPTIONS - SPREAD



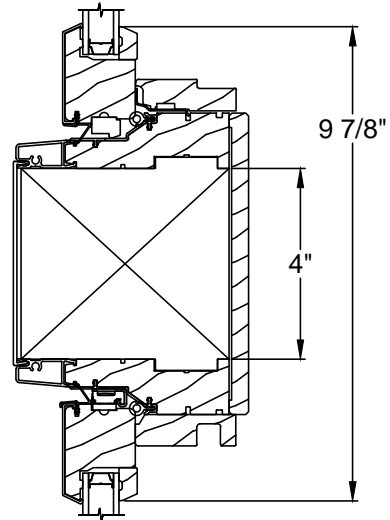
STATIONARY
OPERATING
W/ 1/4" STRUCTURAL
MULL VERTICAL SECTION



STATIONARY
OPERATING
W/ 1" SOLID SPREAD
MULL VERTICAL SECTION



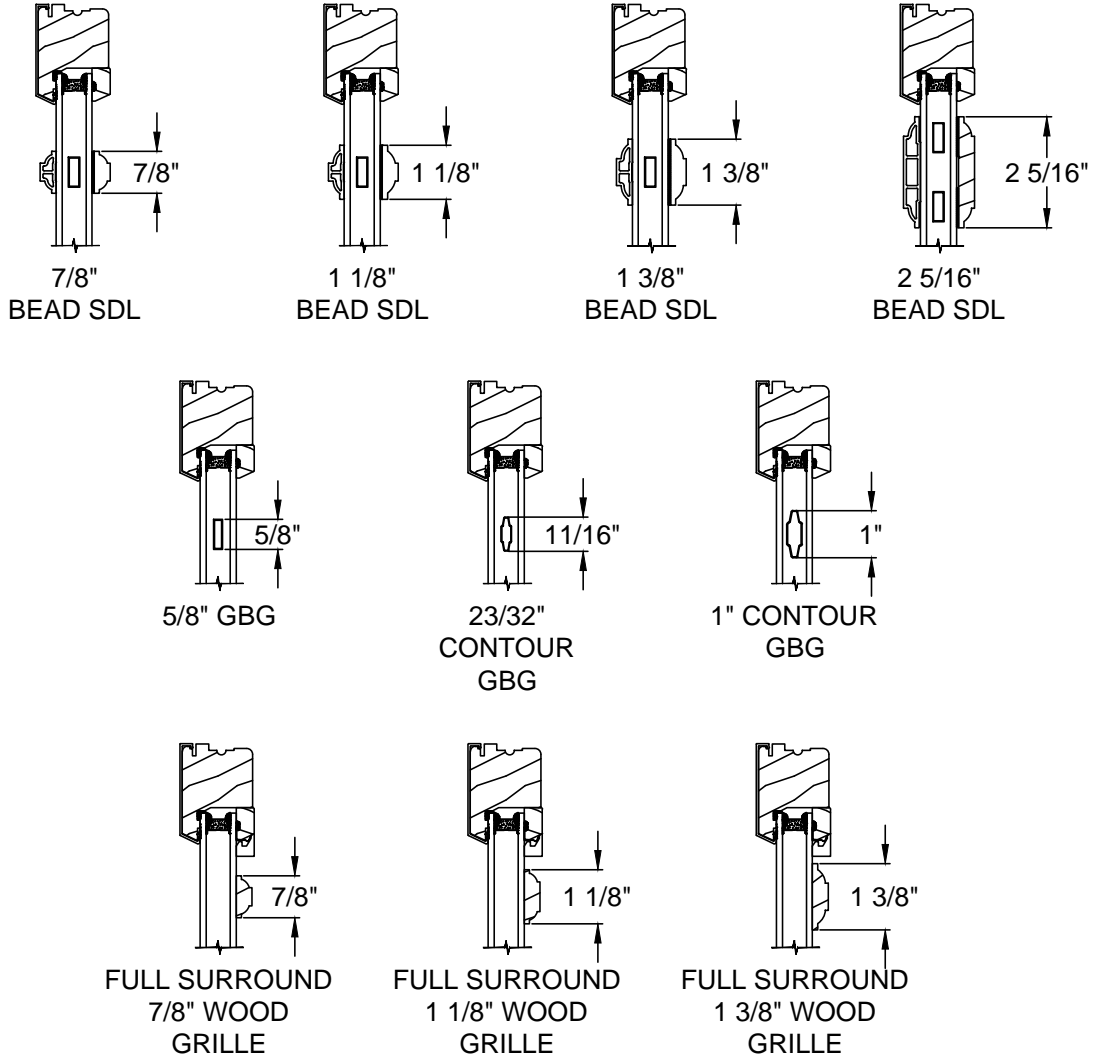
STATIONARY
OPERATING
W/ 2" SOLID SPREAD
MULL VERTICAL SECTION



STATIONARY
OPERATING
W/ 4" SOLID SPREAD
MULL VERTICAL SECTION

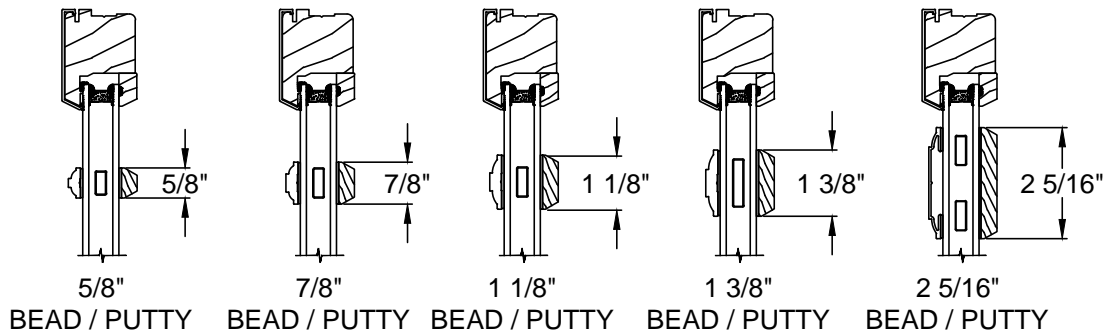
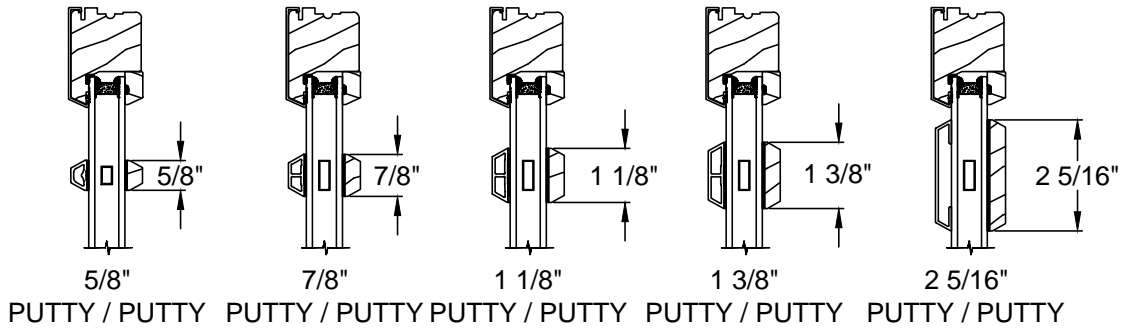
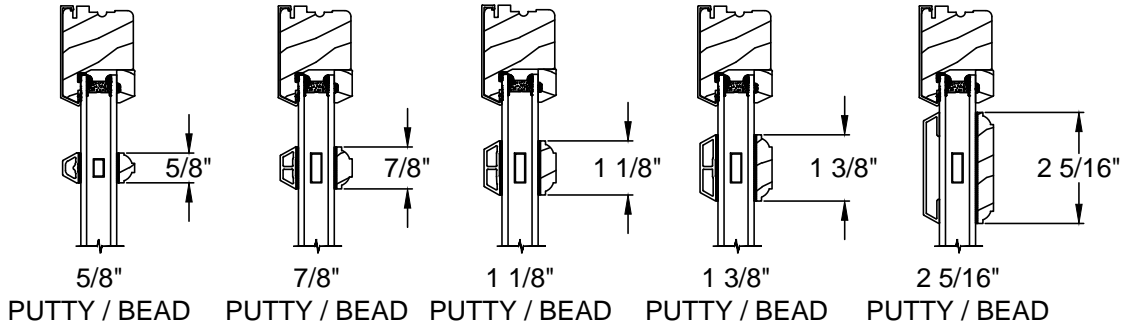


DIVIDED LITE OPTIONS



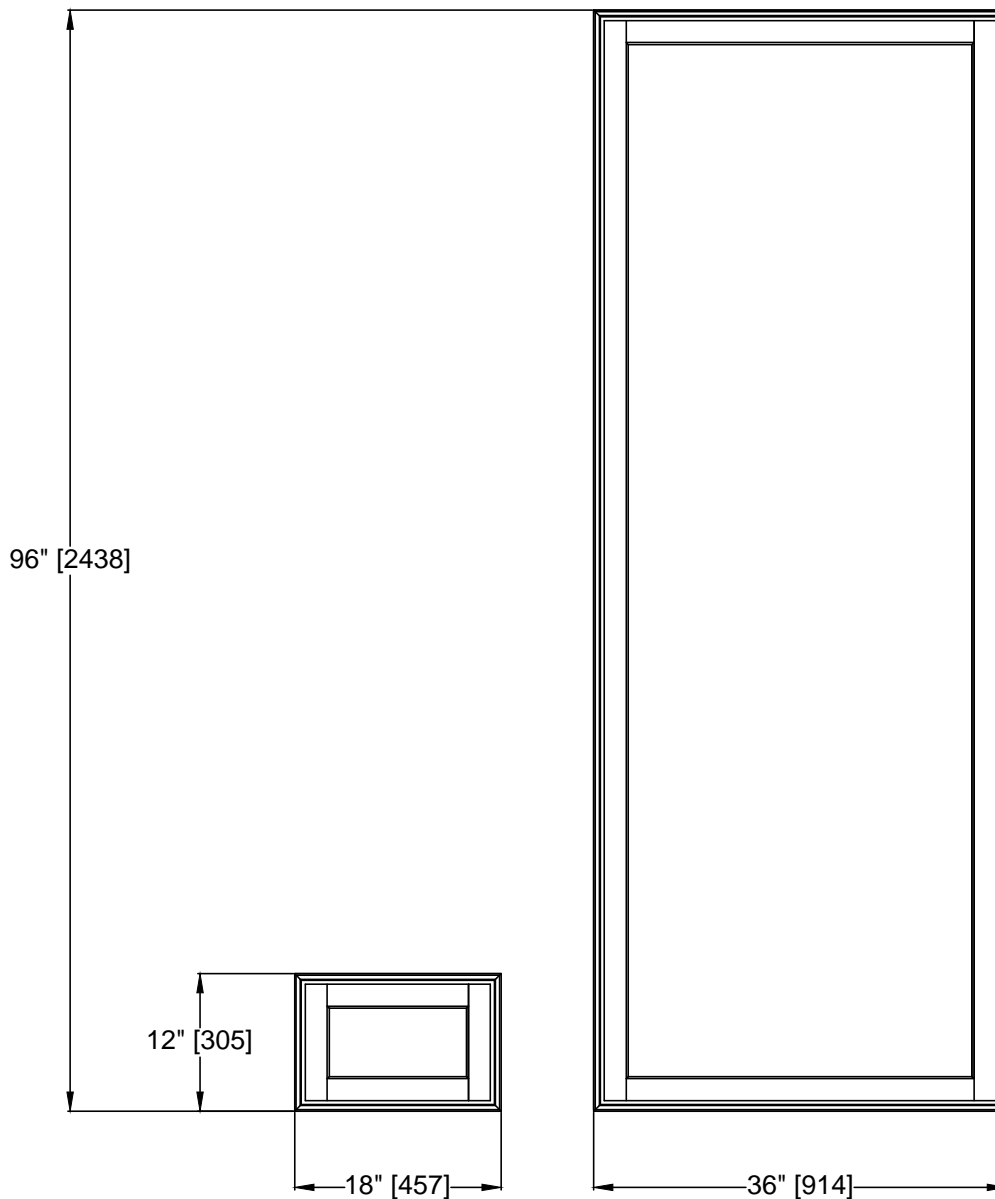


DIVIDED LITE OPTIONS





MIN-MAX SIZING - STANDARD



Standard widths for the Sitrine Clad Casement:

18"(457mm), 20"(508mm), 24"(610mm), 28"(711mm), 30"(762mm),
32"(813mm), 36"(914mm).

Standard heights for the Sitrine Clad Casement:

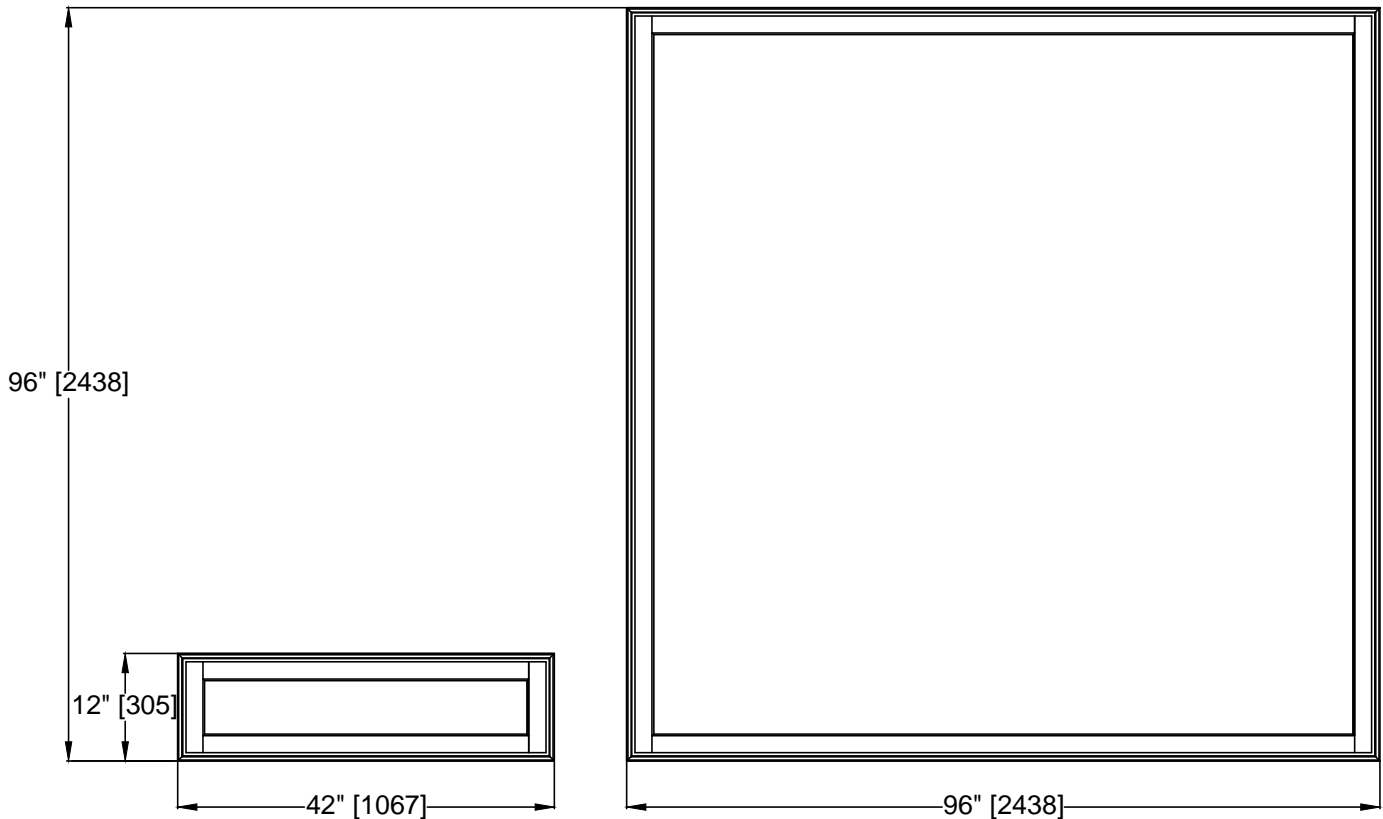
12"(305mm), 18"(457mm), 20"(508mm), 24"(610mm), 28"(711mm),
30"(762mm), 36"(914mm), 42"(1067mm), 48"(1219mm), 54"(1372mm),
60"(1524mm), 66"(1676mm), 72"(1829mm), 78"(1981mm), 84"(2134mm).

Max Size for Operators: 24" x 84", 30" x 84", (32" x 84") * , (36" x 78")*, (36" x 84")*

* Limited Operation: Sash Limiter (20 Degree Opening)



MIN-MAX SIZING - PICTURE



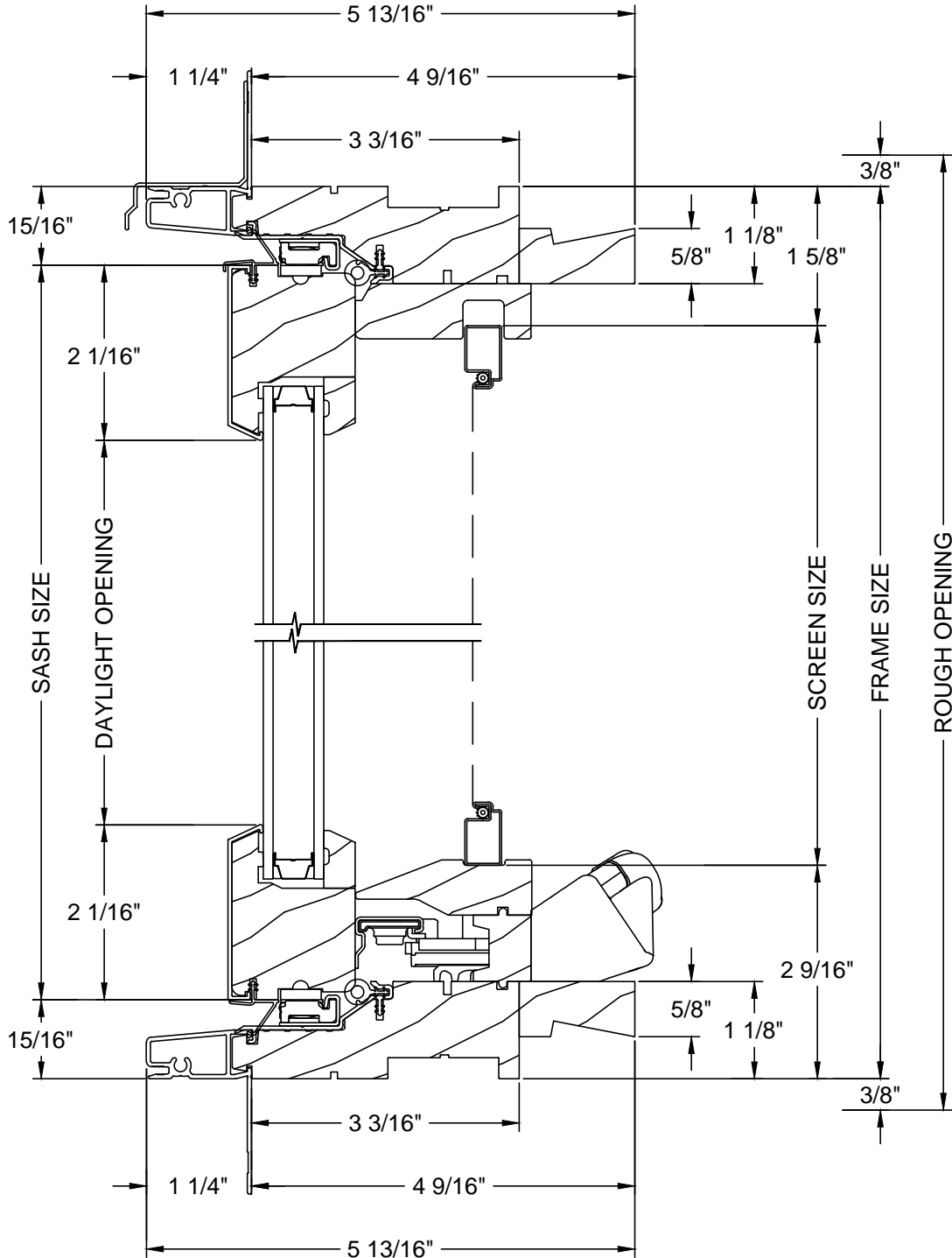
Standard widths for the Sitrine Clad Casement Picture:
42"(1067mm), 48"(1219mm), 54"(1372mm), 60"(1524mm), 66"(1676mm),
72"(1829mm), 84"(2134mm), 96"(2438mm).

Standard heights for the Sitrine Clad Casement Picture:
12"(305mm), 18"(457mm), 20"(508mm), 24"(610mm), 28"(711mm),
30"(762mm), 36"(914mm), 42"(1067mm), 48"(1219mm), 54"(1372mm),
60"(1524mm), 66"(1676mm), 72"(1829mm), 78"(1981mm), 84"(2134mm),
96"(2438mm).

Note: 50 sq foot Max Frame Size

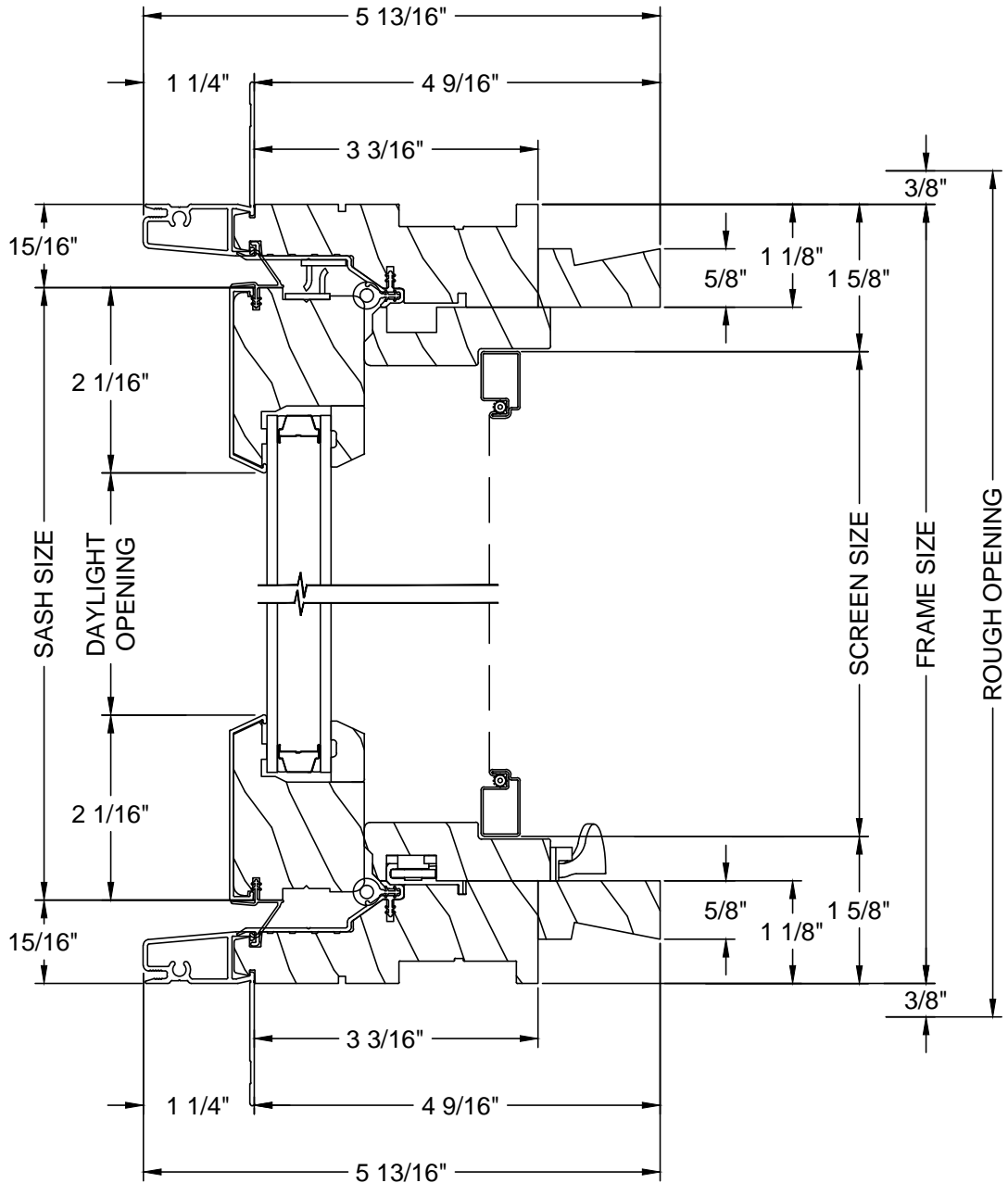


OPERATING - VERTICAL SECTION



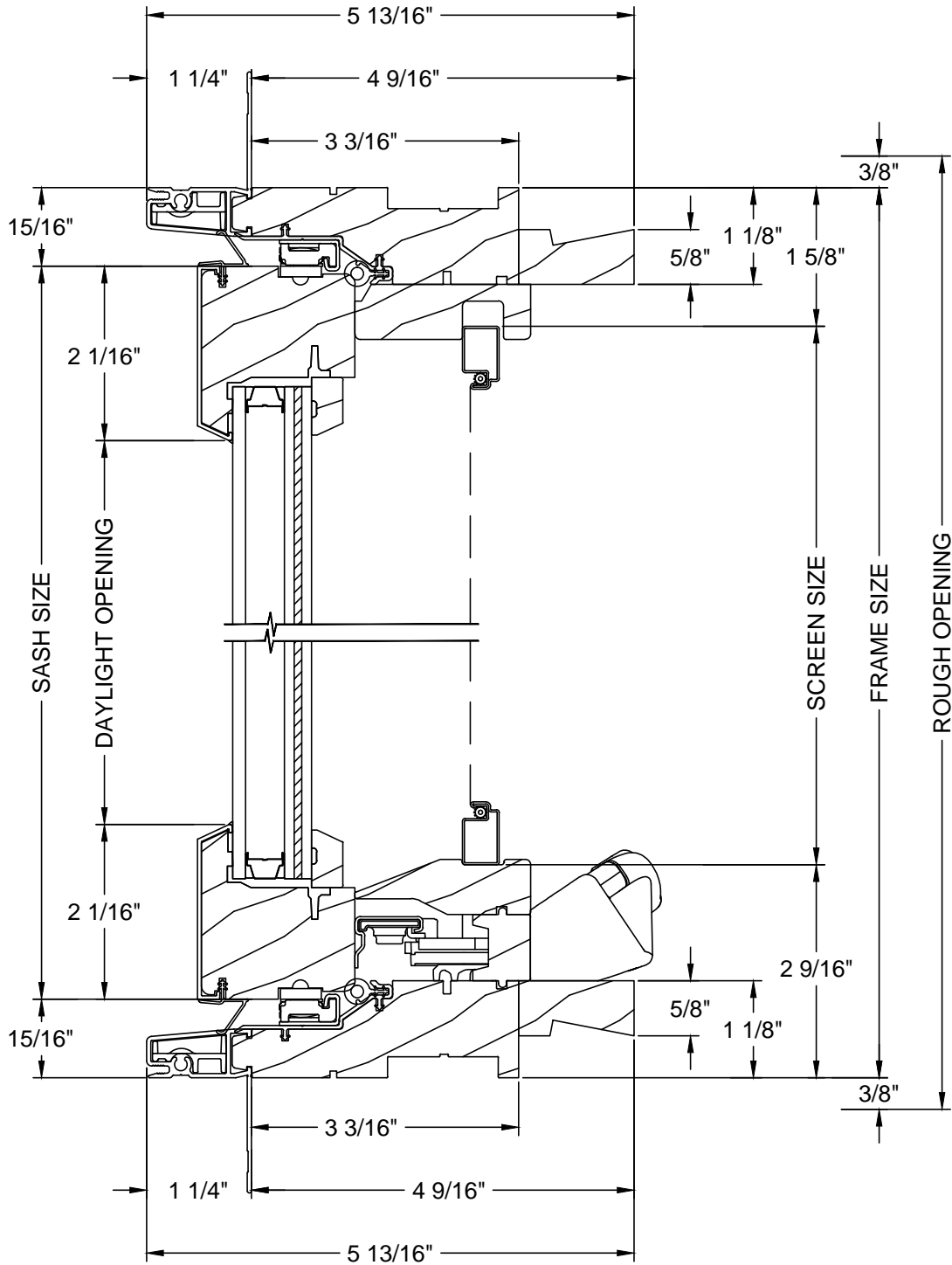


OPERATING - HORIZONTAL SECTION



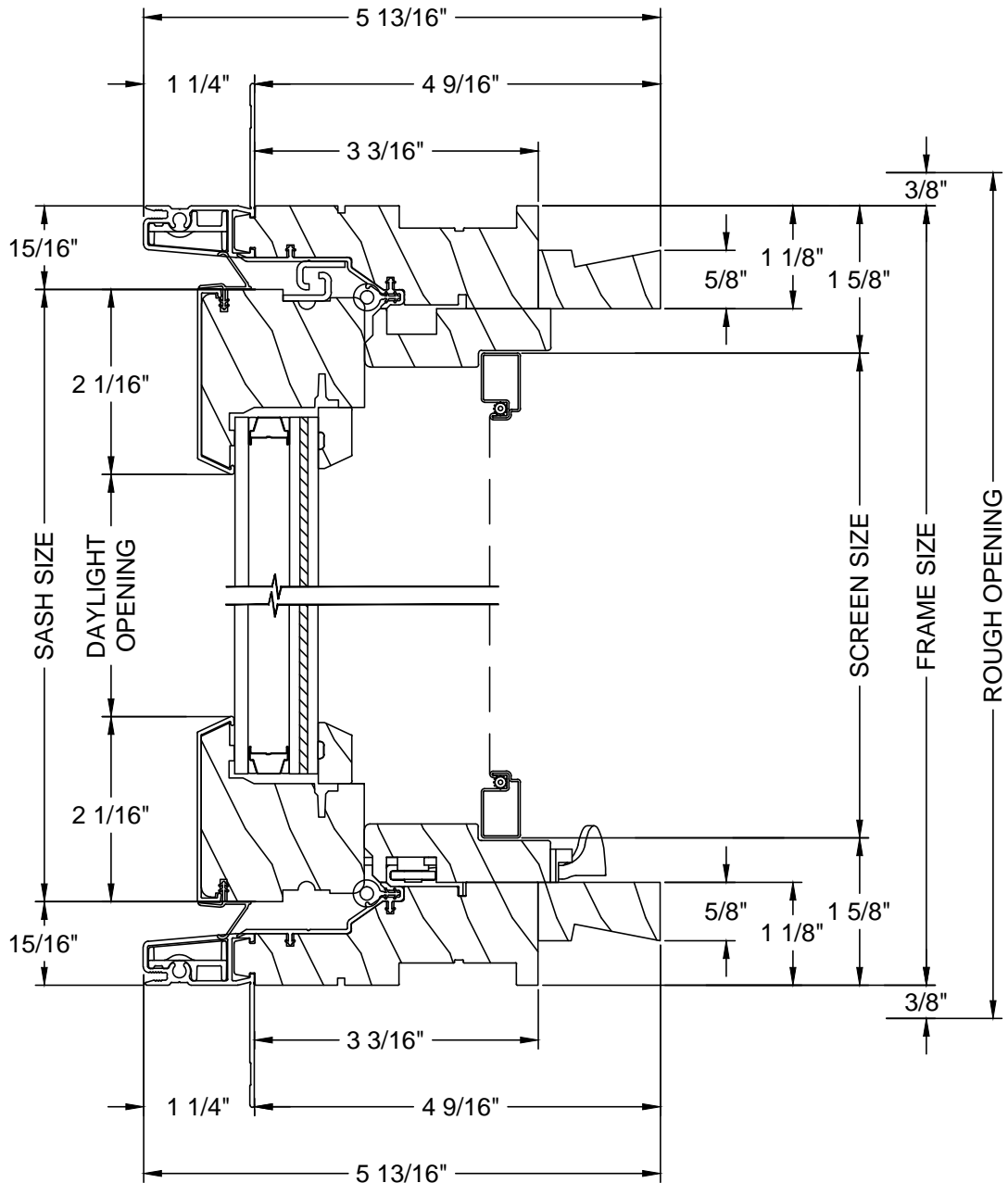


OPERATING IMPACT - VERTICAL SECTION



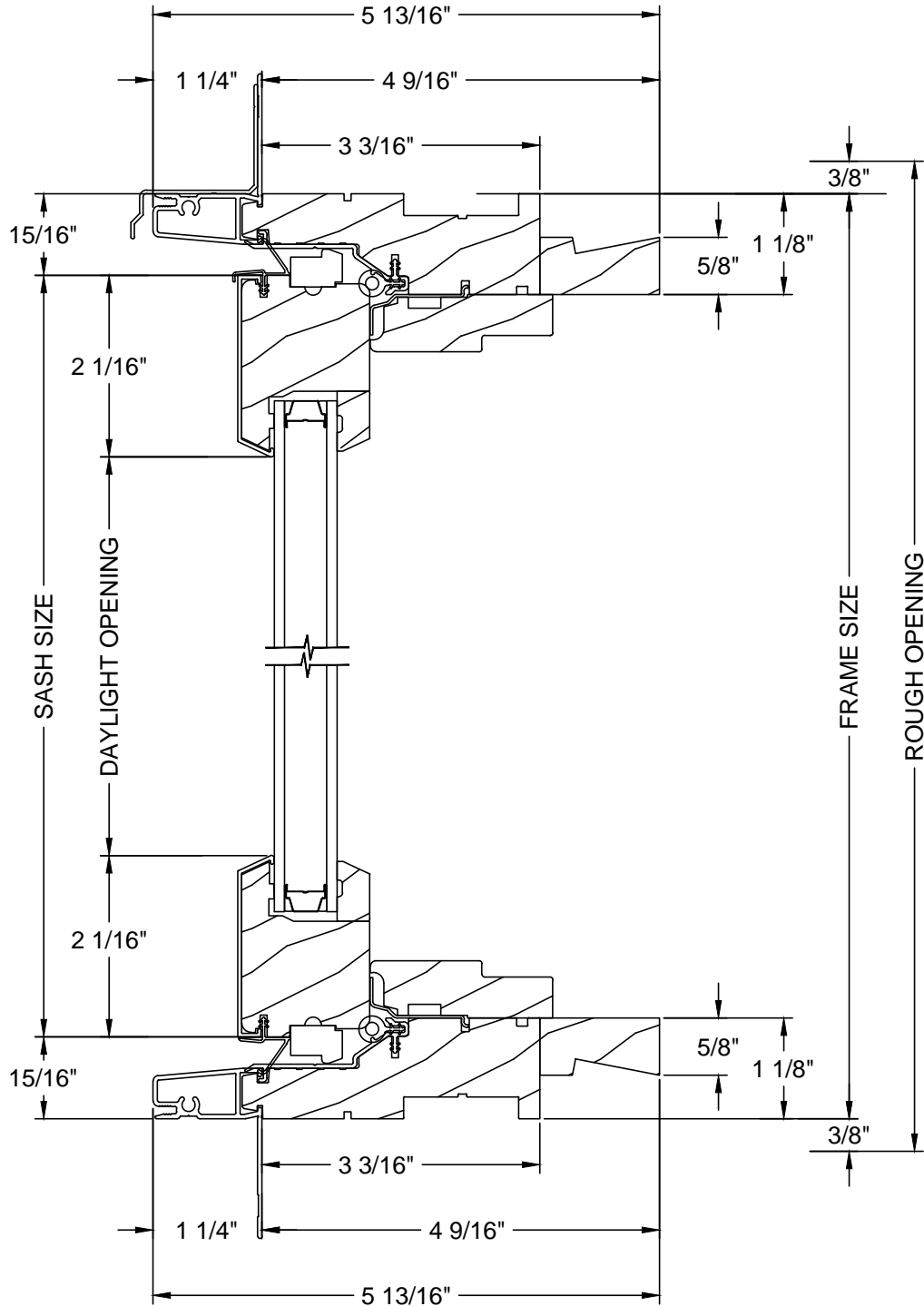


OPERATING IMPACT - HORIZONTAL SECTION



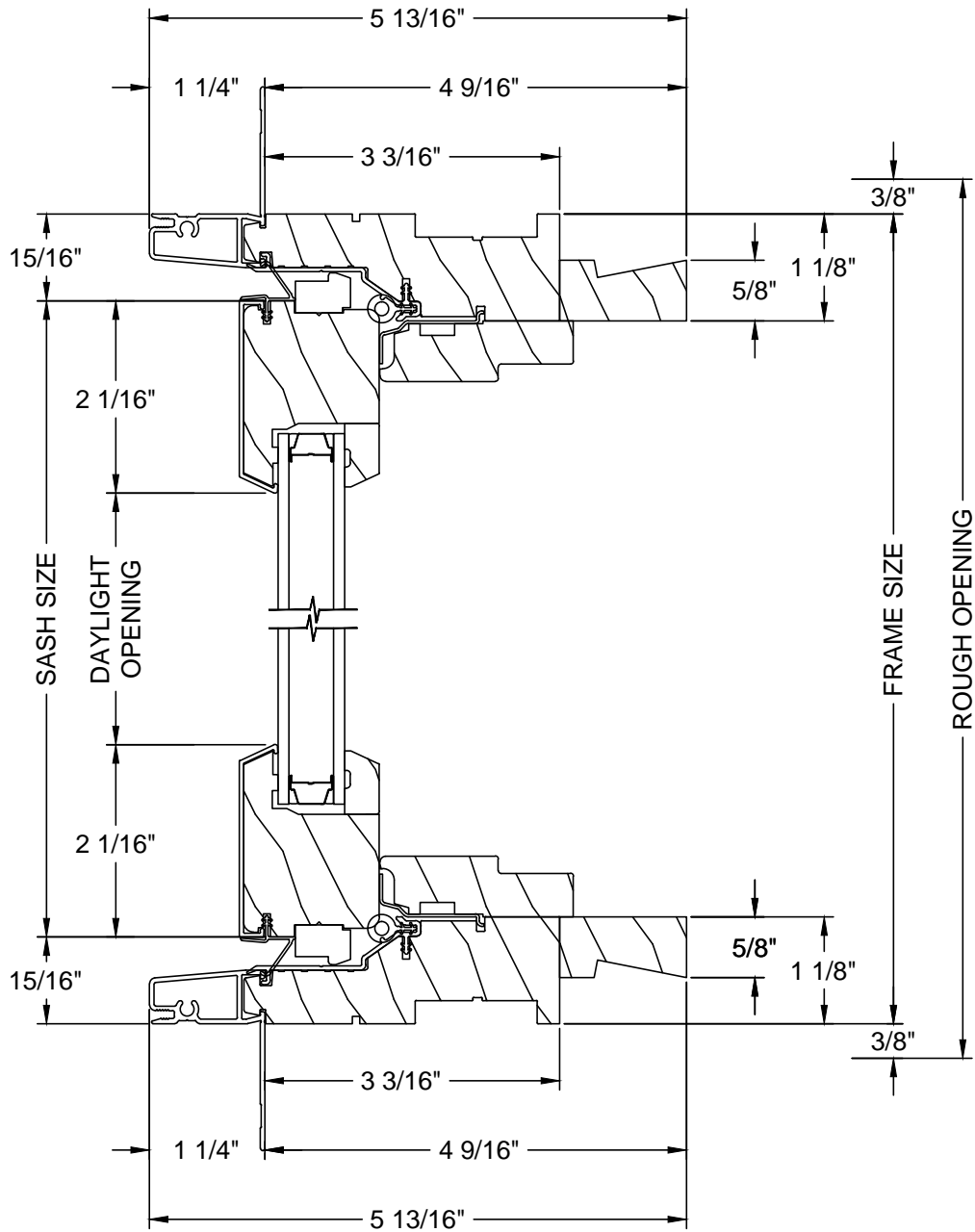


FIXED - VERTICAL SECTION



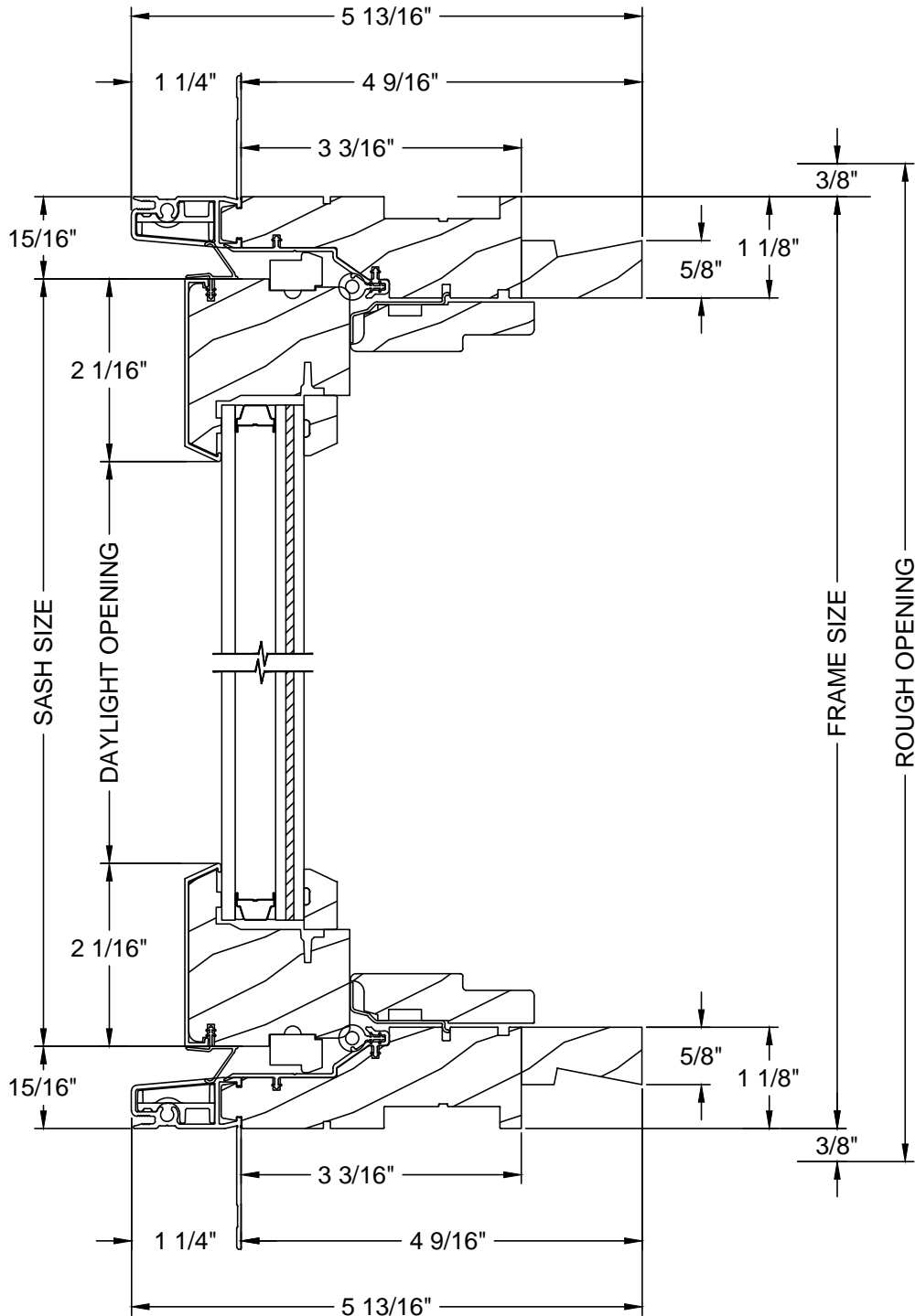


FIXED - HORIZONTAL SECTION



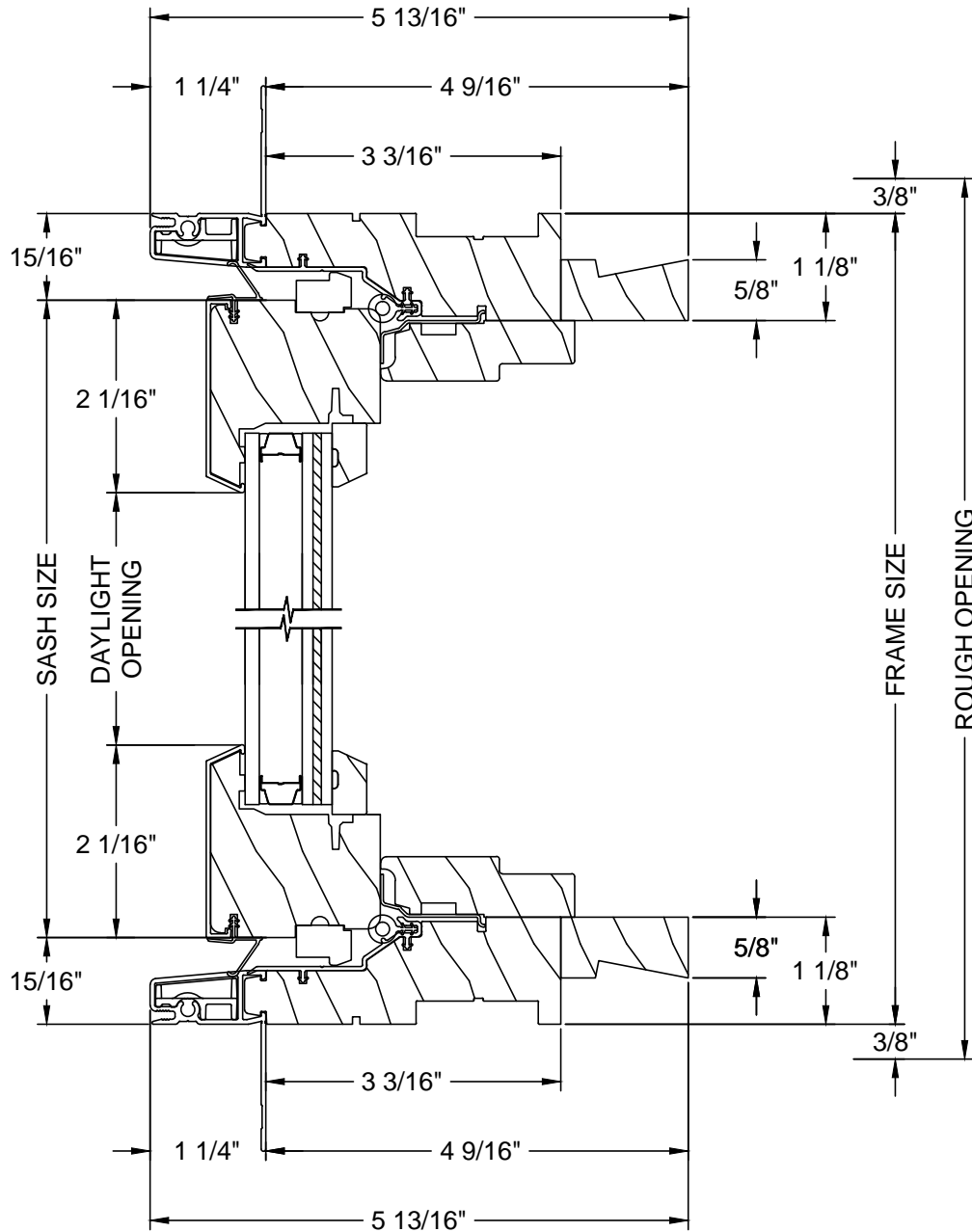


FIXED IMPACT - VERTICAL SECTION



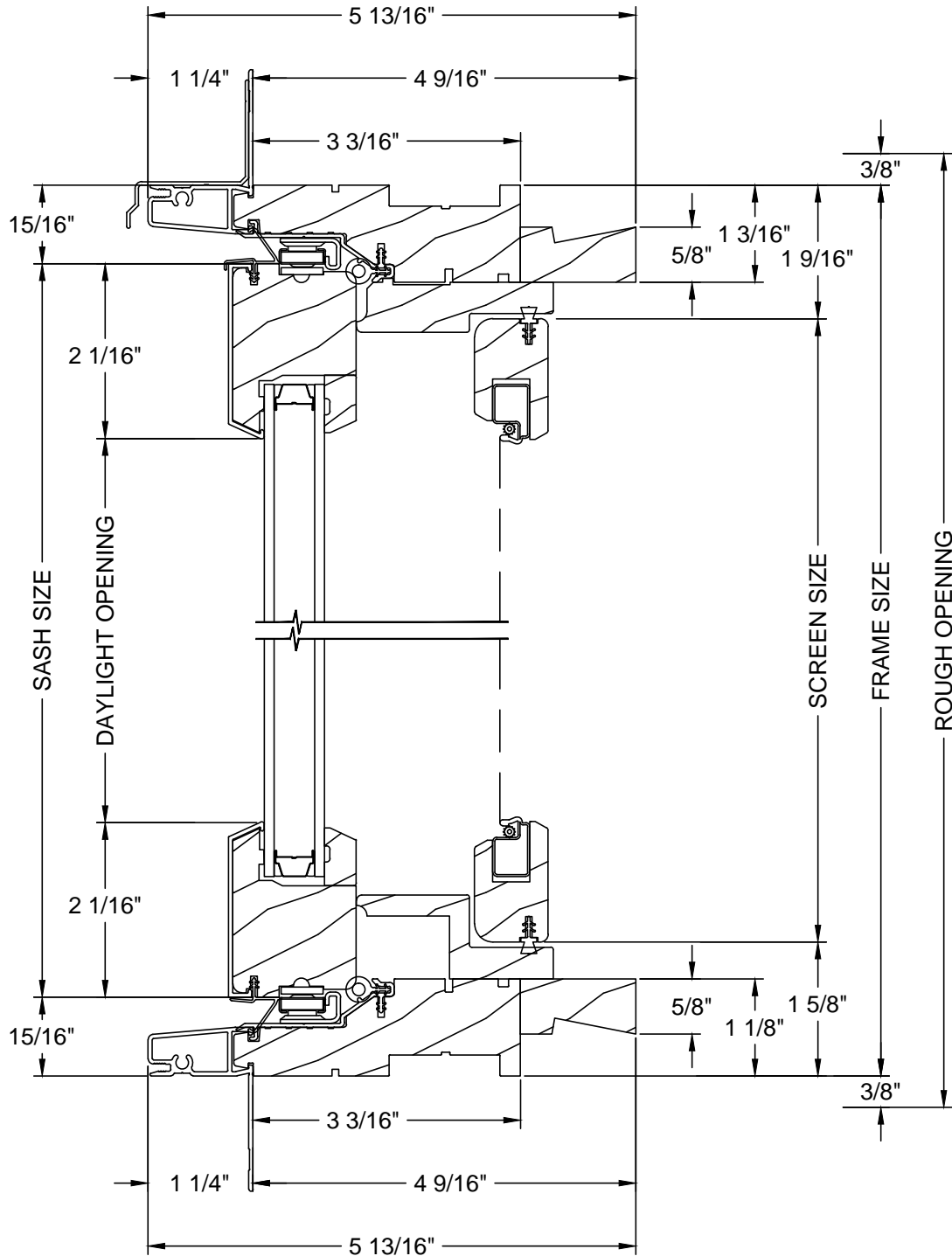


FIXED IMPACT - HORIZONTAL SECTION



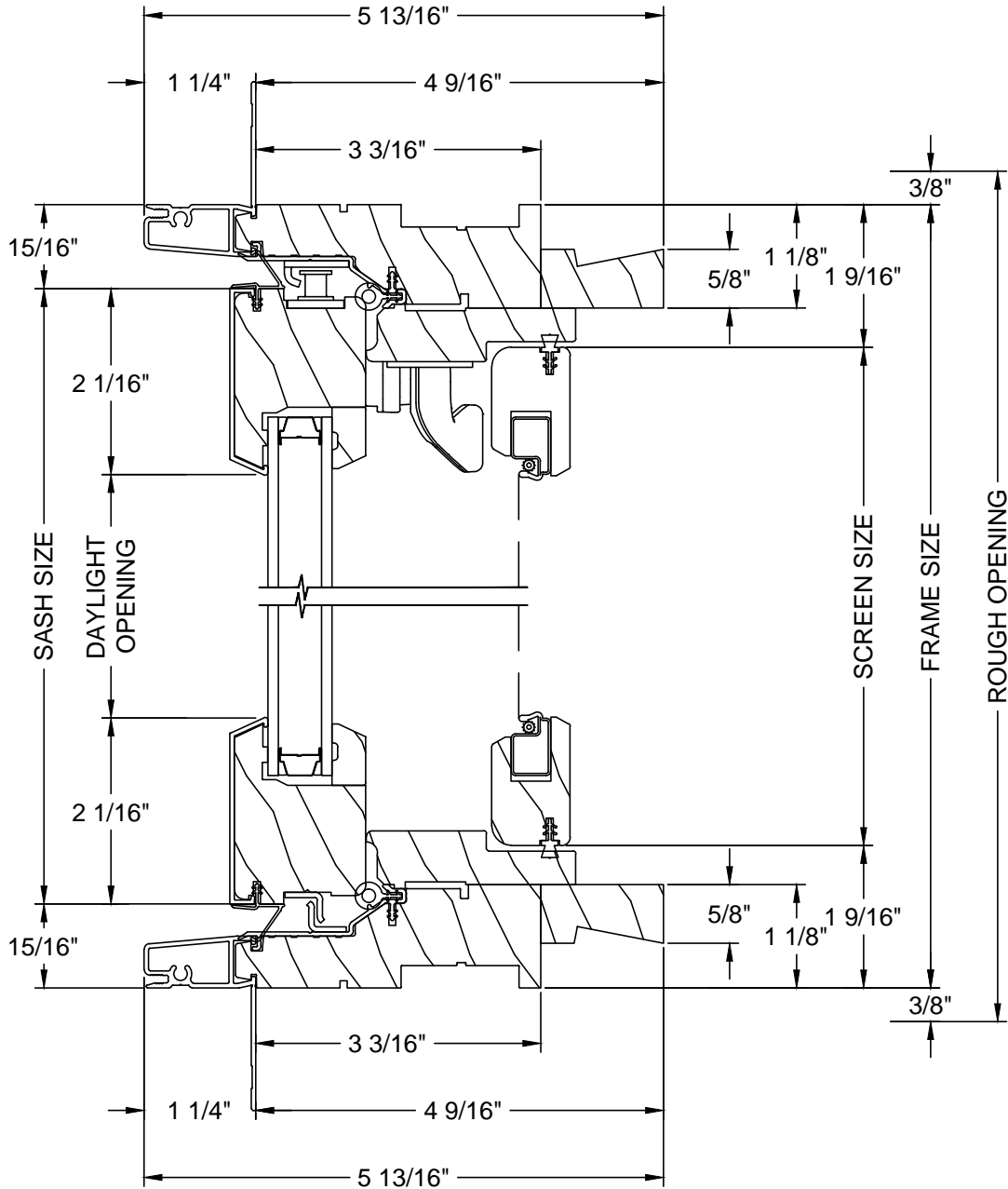


PUSHOUT - VERTICAL SECTION



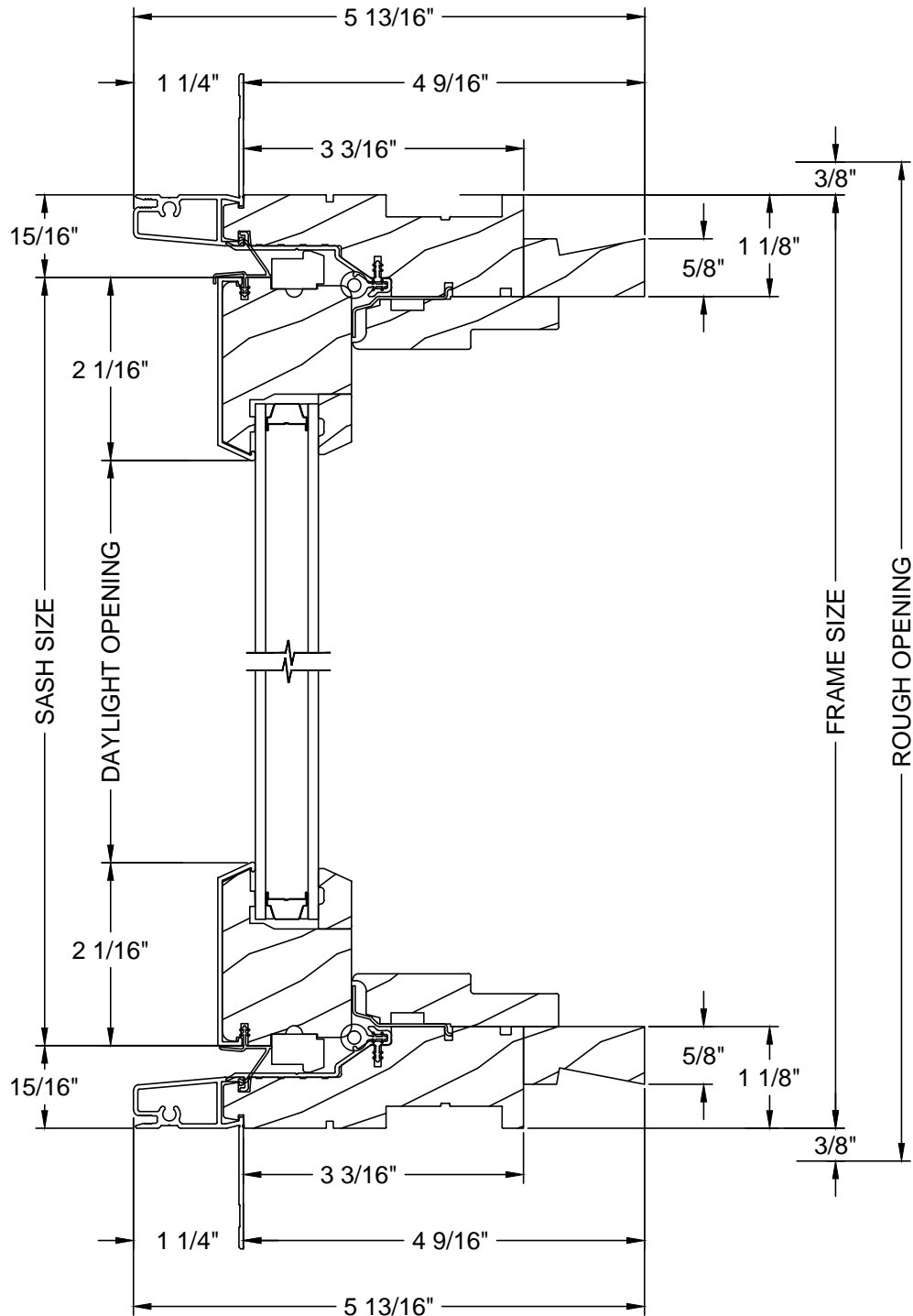


PUSHOUT - HORIZONTAL SECTION



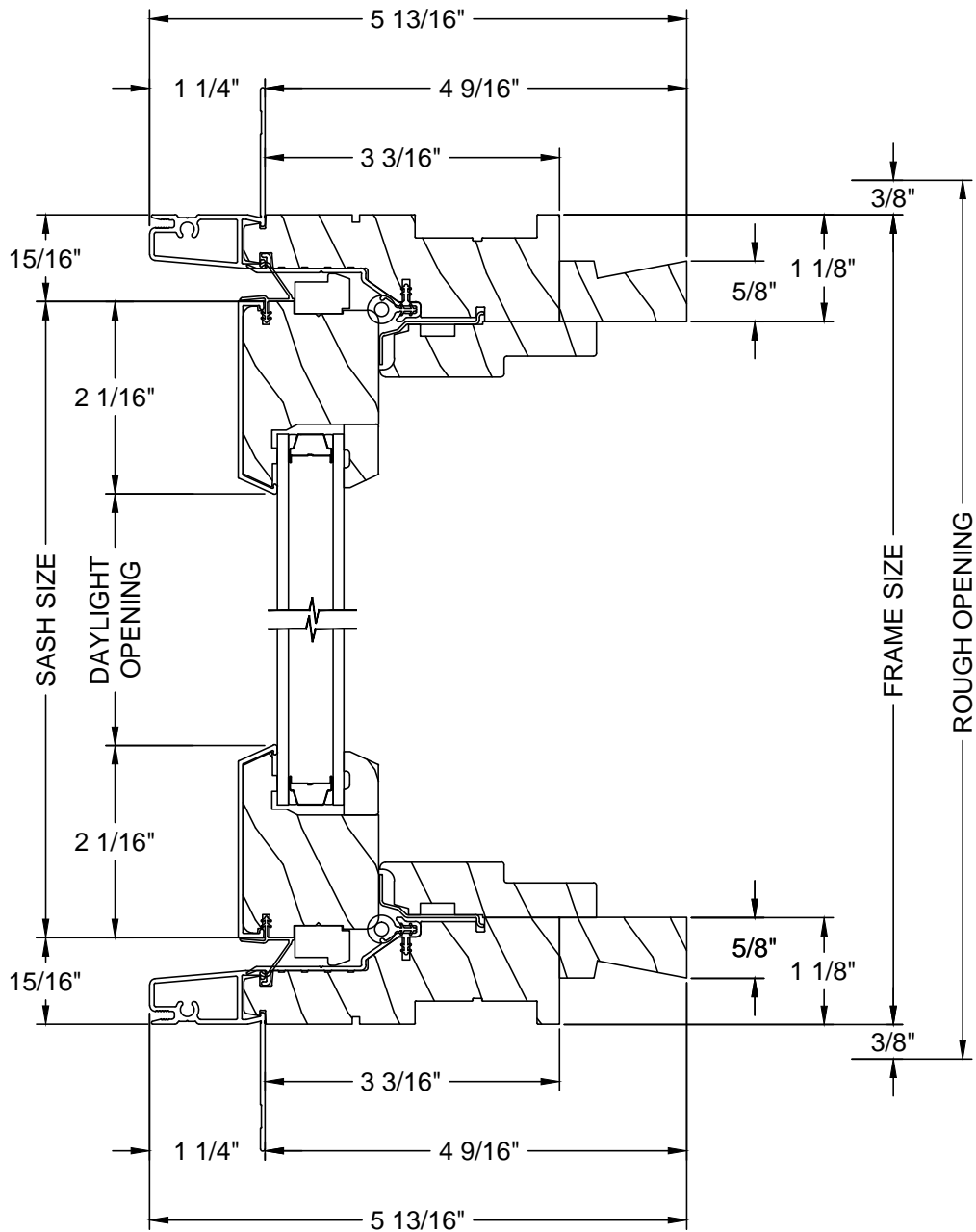


PUSHOUT FIXED - VERTICAL SECTION



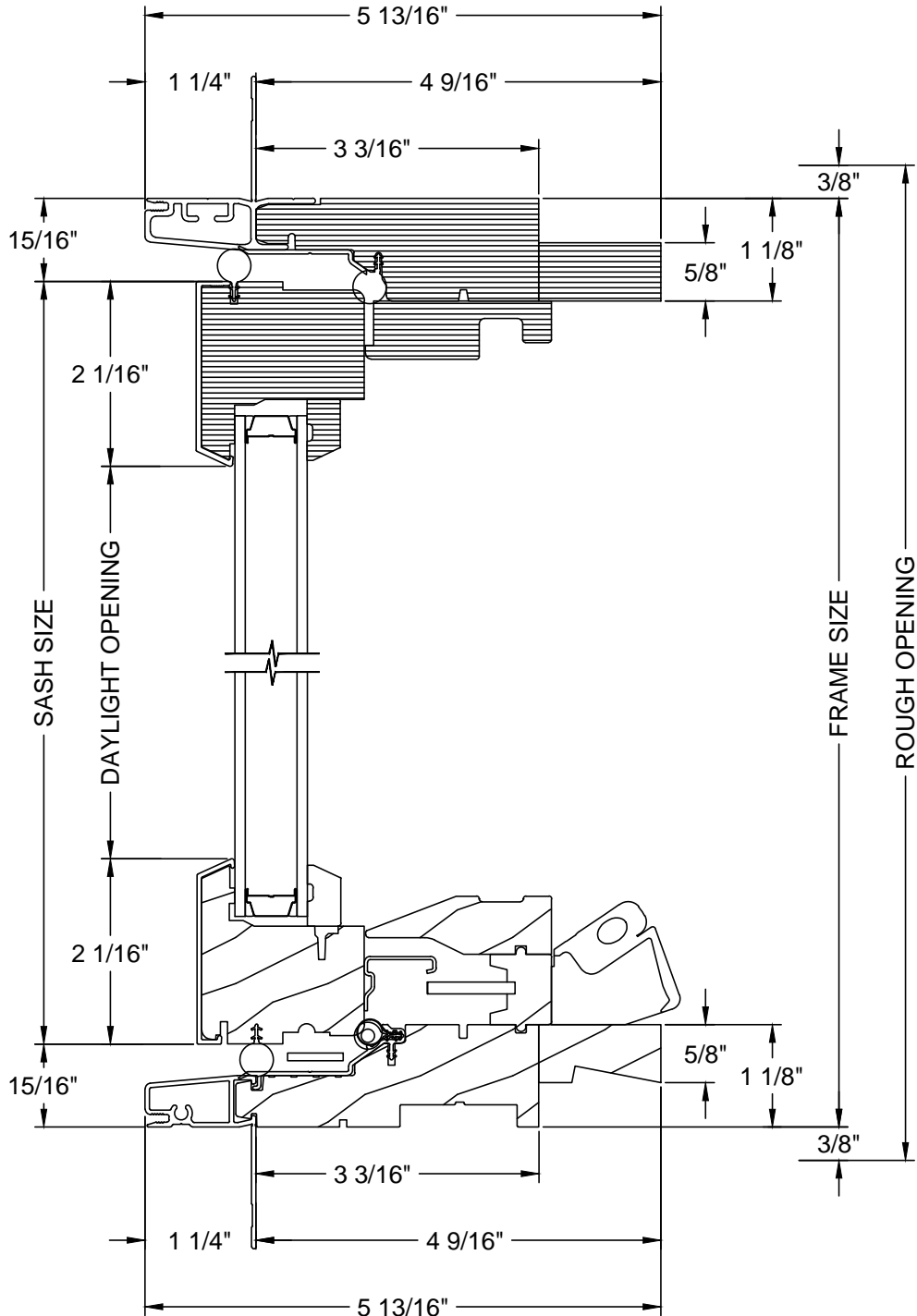


PUSHOUT FIXED - HORIZONTAL SECTION



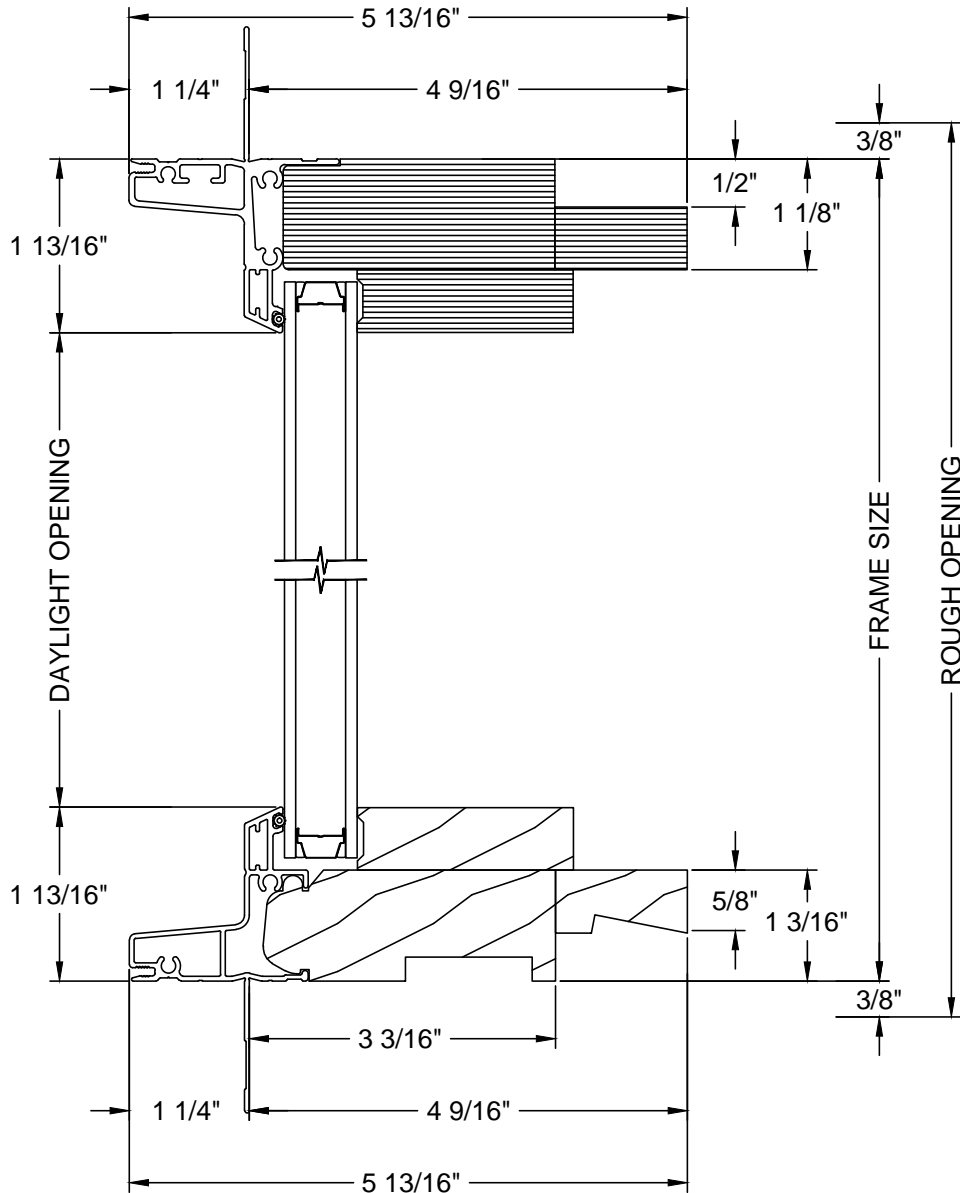


RADIUS TOP - VERTICAL SECTION



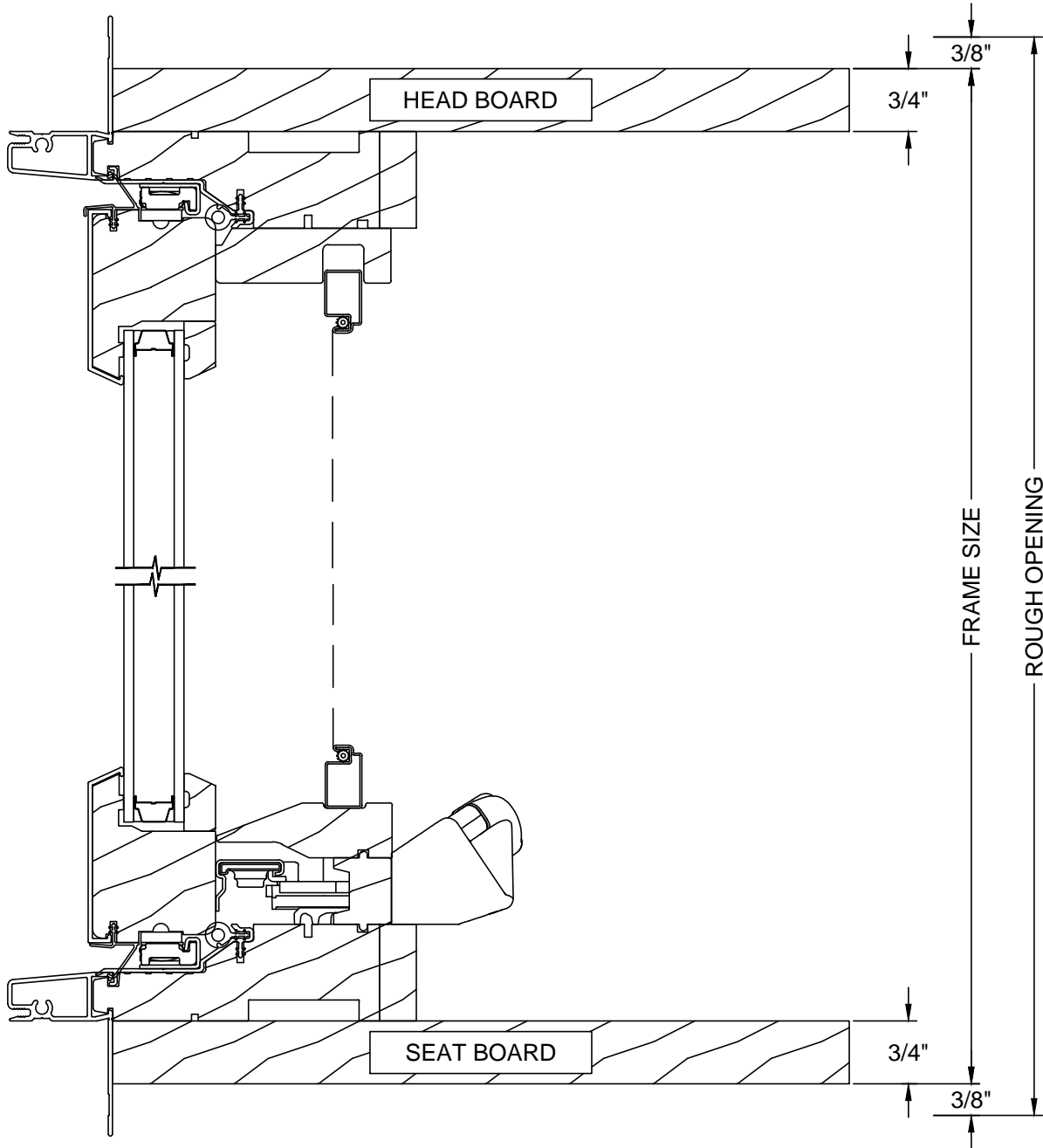


DIRECT SET SEGMENT HEAD - VERTICAL SECTION



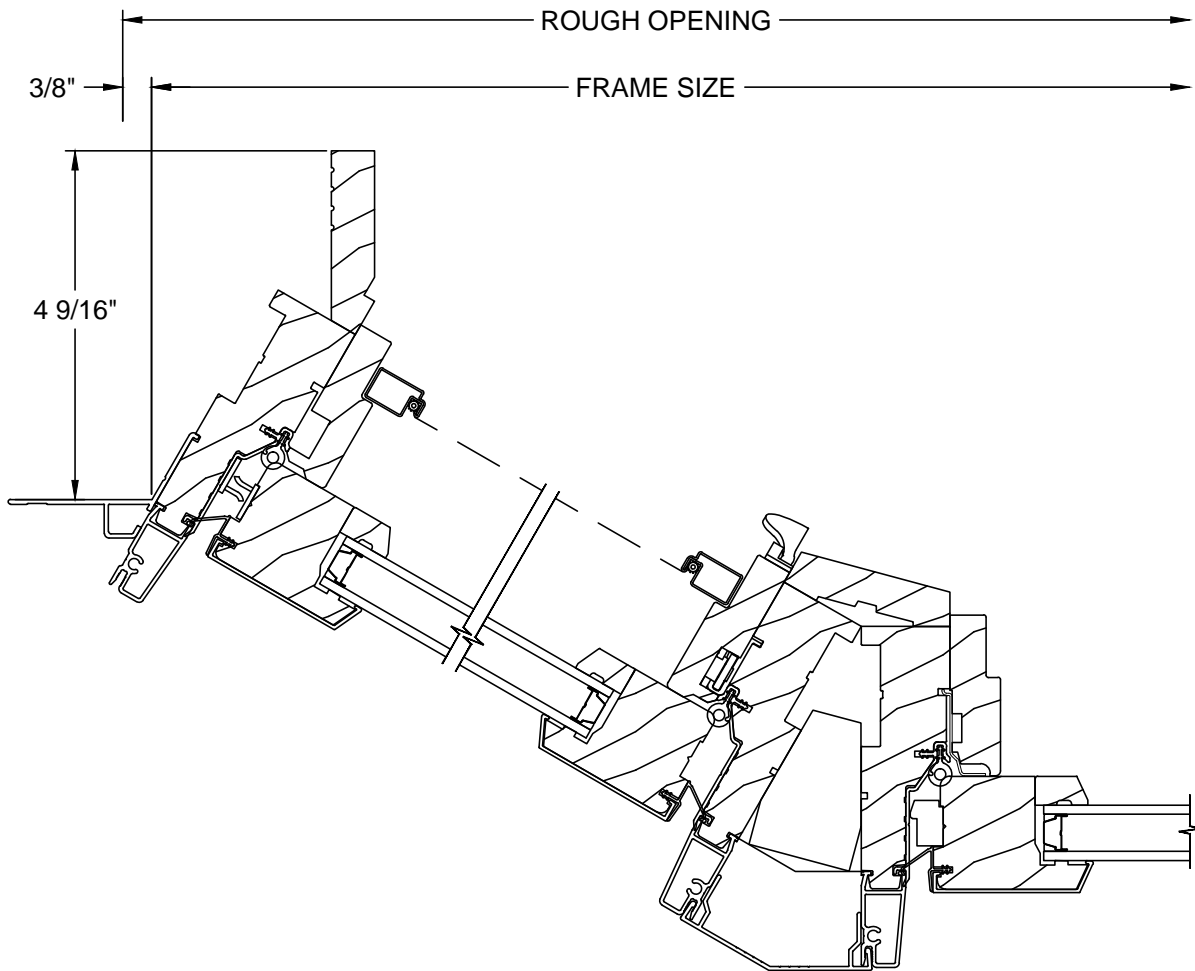


BAY & BOW - VERTICAL SECTION



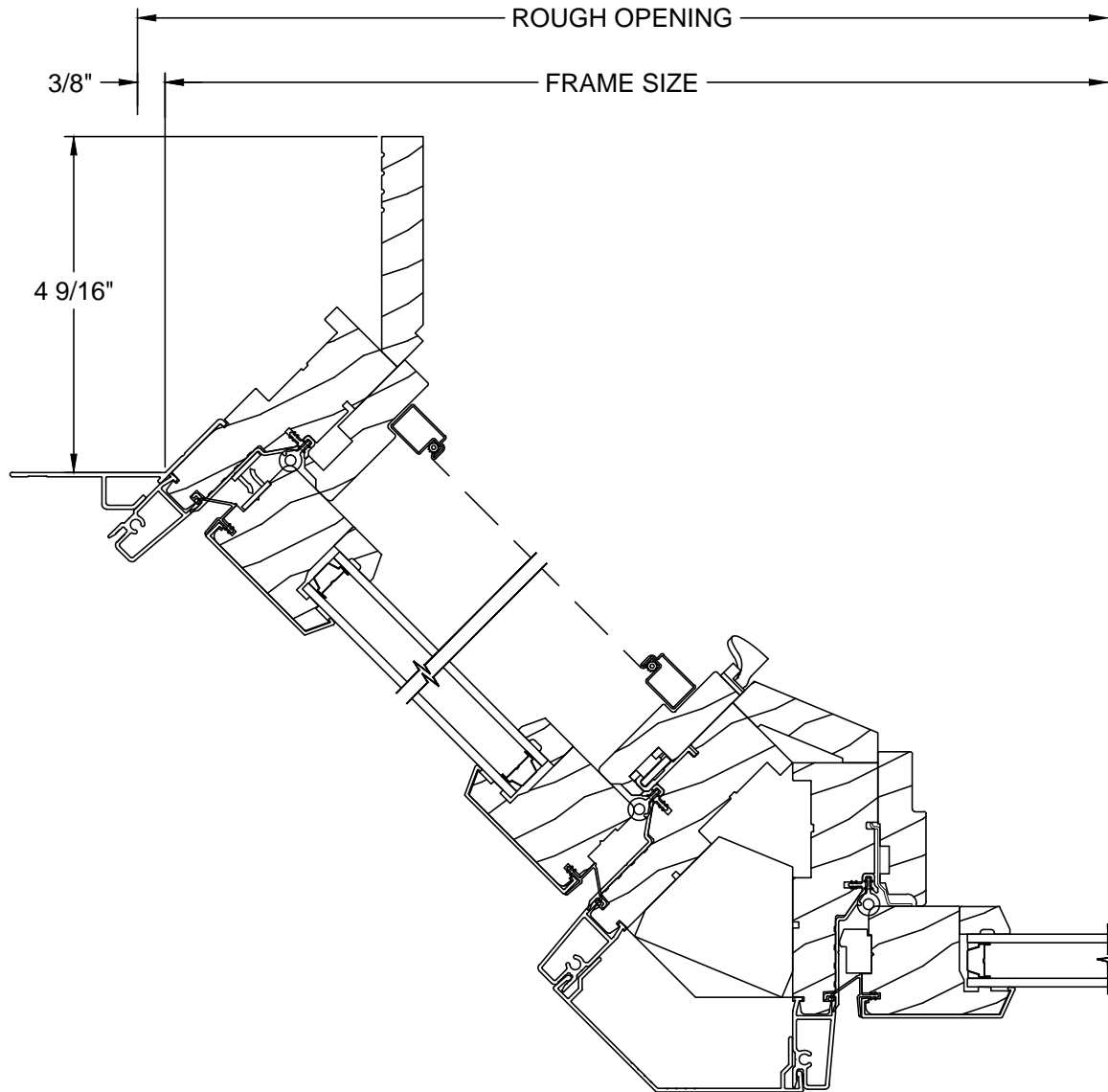


30° BAY - HORIZONTAL SECTION



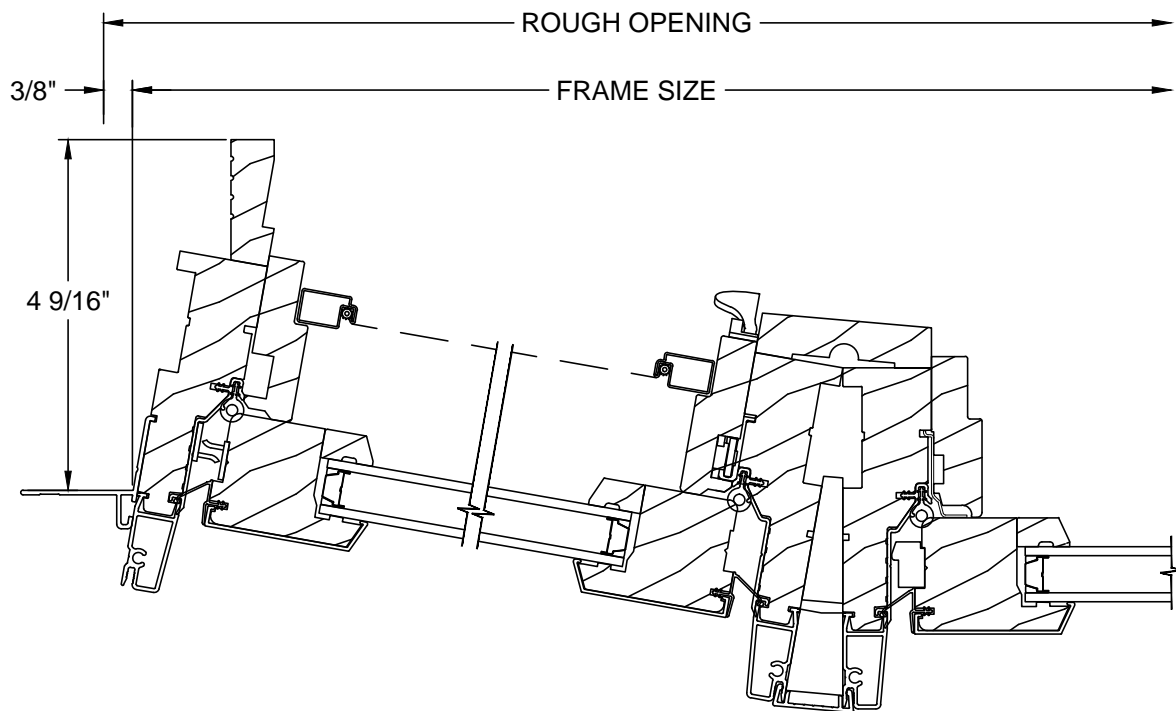


45° BAY - HORIZONTAL SECTION



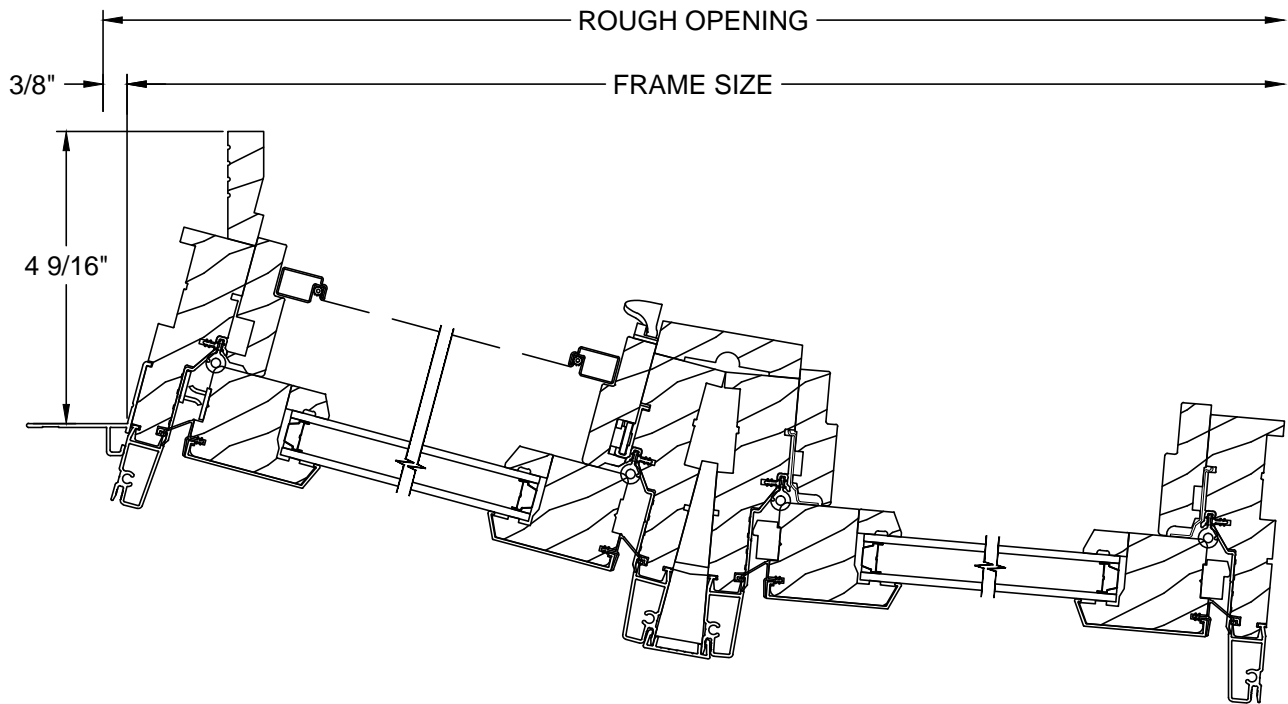


BOW 3 WIDE - HORIZONTAL SECTION



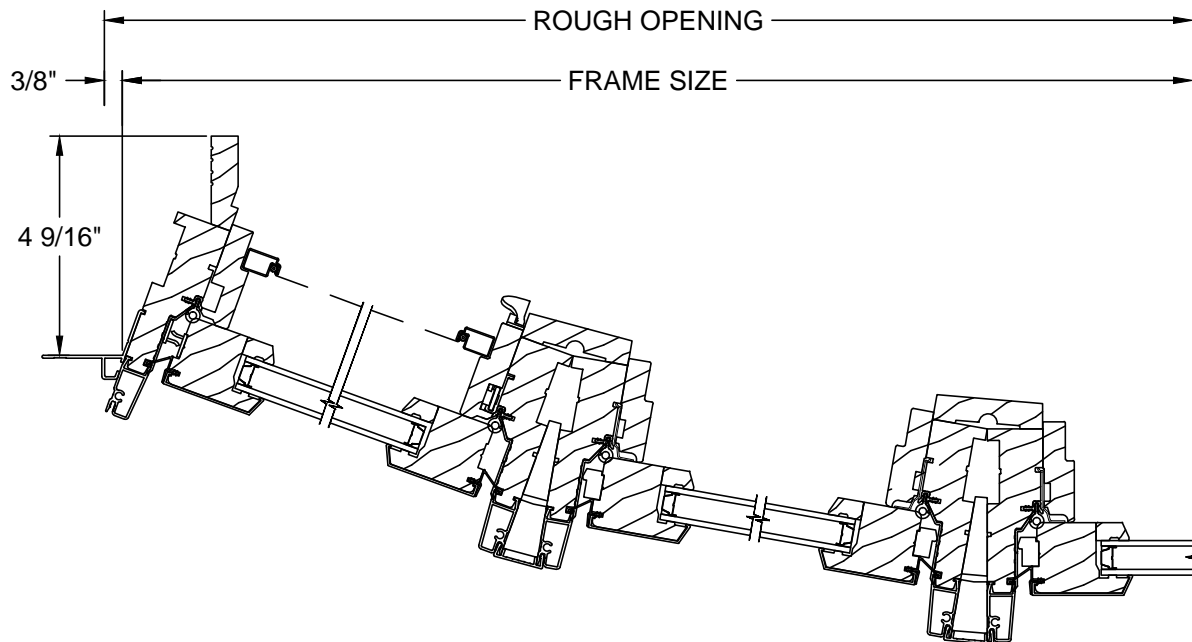


BOW 4 WIDE - HORIZONTAL SECTION





BOW 5 WIDE - HORIZONTAL SECTION





BOW 6 WIDE - HORIZONTAL SECTION

