
TABLE OF CONTENTS

Specifications	27-2
Quick Spec Guide	27-3
Elevations/Sizes: 1/8" Scale	27-4
Swinging Door Units	27-6
French Units	27-7
Glazing Options	27-8
Trim Options	27-12
Rail, Panel & Sill Options	27-13
Mullion Details	27-16
Grille & SDL Patterns	27-17
Unit Sizing, Rough Openings & Masonry Openings	27-18
Section Details: 3" Scale	27-19

PRODUCT SPECIFICATIONS**EXTERIOR FINISH**

The standard exterior is unfinished natural Western Pine, with an option for a factory applied prime coat available.

AURALAST® WOOD

AuraLast® wood is fundamentally different from wood treated in traditional millwork preservation processes in that it uses a proprietary vacuum/pressure process to provide protection throughout the wood parts used to make windows and doors. AuraLast® wood is distinguished from wood using traditional preservation methods by its unique ability to achieve greater penetration of the active ingredients into the wood parts, with a minimum treatment penetration of 92%.

INTERIOR FINISH

All interior surfaces are unfinished clear pine ready for on-site finishing. Optional prefinished pine interiors include four acrylic colors (Modern White, Extra White, Natural Choice, Pure White), five stains (Wheat, Cherry, Fruitwood, Cordovan, Cider) and a clear lacquer topcoat. Primed interior also available.

FRAME

Frame is assembled from select kiln-dried pine AuraLast® wood on all exterior parts. Standard jamb width is 4-9/16".

PANELS

1-23/32" thick select kiln-dried pine AuraLast® wood. The top and bottom rails are formed from solid Western Pine veneers laminated to a kiln dried edge-and-end-glued core, while the stiles have the same veneer laminated to a Timberstrand core. The layout is top rail and stiles 6-5/8" and a 10-1/4" bottom rail.

GLAZING

Insulating glass is constructed from two panes of tempered glass, utilizing a continuous roll formed stainless steel spacer with dual seal sealant. A computer-controlled application of clear silicone is used to bed the exterior of the insulating glass into the panel. An acrylic sealant is used to bed the interior. All insulating glass units comply with the performance requirements of IGCC in accordance with either ASTM E774 or E2190.

GLAZING OPTIONS - TEMPERED

Tempered insulating glass available in Low-E with Argon, Low-E, Low-E 366, Clear, Neat Glass, Seedy Reamy, tinted, reflective, or obscure, or other specialty glass as specified. Preserve® film is a 0.003" thick polyethylene film with a low tack acrylic adhesive applied to the glass for protection during shipping and installation. Installations at 4,000 foot elevations and higher require a capillary tube to equalize environmental stress (otherwise known as High Altitude glazing). High altitude glazing does not allow the use of Argon as listed under glazing options.

WEATHER-STRIPPING

Engineered system with dual foam filled bulb seal compressed between the exterior of the panel and the frame in a continuous plane on all four sides. A Pemko two-piece adjustable astragal is applied to each panel on double door applications.

SILL

The sill is a dark bronze anodized aluminum, 1/2" high to meet the standards set forth by the ADA for handicap access. A door shoe/kick plate with an integral sweep is applied to the panel.

HARDWARE

The door panels are mounted into the frame utilizing steel based ball bearing hinges in Brushed Chrome, Polished Brass or Oil-Rubbed Bronze. The door panels are not bored for handle sets.

GRILLES

SDL (Simulated Divided Lites) - extruded pre-primed aluminum muntins permanently applied to the exterior of the insulating glass unit (not available on textured glass) in 5/8", 7/8", 1-1/8", or 1-3/8" widths. Profiles are bead stop in all widths, and a putty profile in 5/8", 7/8", and 1-1/8" widths only. 1" Copper SDL is also available. SDL is standard with a light bronze internal shadow bar to give a true divided lite appearance. As an option, SDL may be ordered with a silver shadow bar. Clear wood interior muntin bars match the exterior muntin width and are permanently bonded to the interior of the glass. Also available is a 2-5/16" SDL bar, which simulates a double-hung checkrail.

PDL (Precise Divided Lites) - Wood or extruded aluminum muntins permanently applied to the exterior of the insulating unit (not available on textured glass) in 3/4" and 1-1/2" widths or without a shadow bar. Clear wood interior muntin bars match the exterior muntin width and are permanently bonded to the interior of the glass.

Full-Surround Removable Wood Grilles - Rectangular, unfinished interior clear pine wood grilles in 7/8", 1-1/8", and 1-3/8" are available in patterns selected by the owner.

GBG (Grilles between the Glass) - 5/8" flat, 23/32" contour, or 1" contour grilles mounted between the glass panes suspended within the air cavity.

EXTERIOR TRIM

Brickmould standard with optional 3-1/2", 4-1/2", 5-1/2" flat trim, 3-1/2" Adams and 1 x 4 Backband trim. Optional mull covers to accommodate 1" (spread only), 2", 3-1/2" and 6" spread and stud pocket mull.

EXTENSION JAMBS

Extension jambs are available for wall depths up to 6-9/16".

INSTALLATION

Installation per JELD-WEN Installation Method for Wood Patio Doors. See www.jeld-wen.com/resources for instructions.

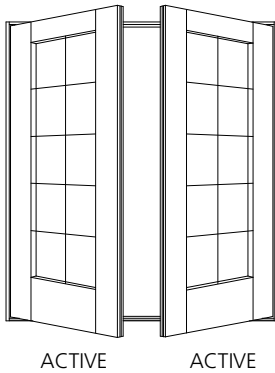
PERFORMANCE

See www.jeld-wen.com for architectural and performance information.

QUICK SPEC GUIDE

SPECIFICATION	STANDARD FEATURES	OPTIONAL FEATURES <i>Some options may require additional lead times. Consult your JELD-WEN Sales Representative.</i>
EXTERIOR FINISH	<ul style="list-style-type: none"> Natural 	<ul style="list-style-type: none"> Primed Vertical Grain Douglas Fir Mahogany
		Panel Only: <ul style="list-style-type: none"> Bright Copper* <i>*Copper is only available when ordered with a clad panel</i> Speckled Patina Copper Hand Rubbed Patina Copper
EXTERIOR TRIM	<ul style="list-style-type: none"> Brickmould & Subsill 	<ul style="list-style-type: none"> Adams Casing 3-1/2" Flat Casing 4-1/2" Flat Casing 5-1/2" Flat Casing
INTERIOR WOOD	<ul style="list-style-type: none"> Western Pine 	
INTERIOR FINISH	<ul style="list-style-type: none"> Natural 	<ul style="list-style-type: none"> Priming Available Pre-finished Interior Options are: <ul style="list-style-type: none"> Paint - Pure White, Extra White, Natural Choice, Moderate White Stain - Wheat, Fruitwood, Cherry, Cordovan, Cider Clear Lacquer
SIZE	<ul style="list-style-type: none"> Width: 3-0, 3-6, 3-8, 6-0, 7-0 Height: 6-8, 7-0, 8-0, 9-0 	<ul style="list-style-type: none"> Any Width: 37-7/16 to 44 Any Height: 81-3/4 to 109-3/4
GLAZING (ALL TEMPERED)	<ul style="list-style-type: none"> Low-E Tempered Insulating Glass (with Argon) Low-E 366 Preserve® Protective Film 	<ul style="list-style-type: none"> Clear Obscure Reflective Tints: Bronze, Gray, Green Glue Chip Safety Laminate in Clear, Bronze or Gray Neat Glass Seedy Reamy Rain Narrow Reed Sandblasted Tempered Impact Resistant
		<ul style="list-style-type: none"> High Altitude (Breather Tube, no Argon)
GRILLES		SDL Bead Profile: <ul style="list-style-type: none"> 5/8", 7/8", 1-1/8", 1-3/8", 2-5/16" with Light Bronze Shadow Bar 5/8", 7/8", 1-1/8", 1-3/8", 2-5/16" with Silver Shadow Bar SDL Putty Profile: <ul style="list-style-type: none"> 5/8", 7/8" and 1-1/8" with Light Bronze Shadow Bar 5/8", 7/8" and 1-1/8" with Silver Shadow Bar 1" Copper SDL PDL: <ul style="list-style-type: none"> 3/4" or 1-1/2" Precise Divided Lite GBG (Grilles between the Glass): <ul style="list-style-type: none"> 5/8" Flat, 23/32" Contour, 1" Contour Full-Surround: <ul style="list-style-type: none"> 7/8", 1-1/8", 1-3/8"
HARDWARE	<ul style="list-style-type: none"> Ball Bearing Hinges No Handle Set, No Bore 	
HINGE COLOR	<ul style="list-style-type: none"> Brushed Chrome 	<ul style="list-style-type: none"> Polished Brass Oil-Rubbed Bronze
JAMB	<ul style="list-style-type: none"> Applied, 5/4 4-9/16" Handicapped Sill 	<ul style="list-style-type: none"> Up to 6-9/16" No Sill

GENERAL INFORMATION



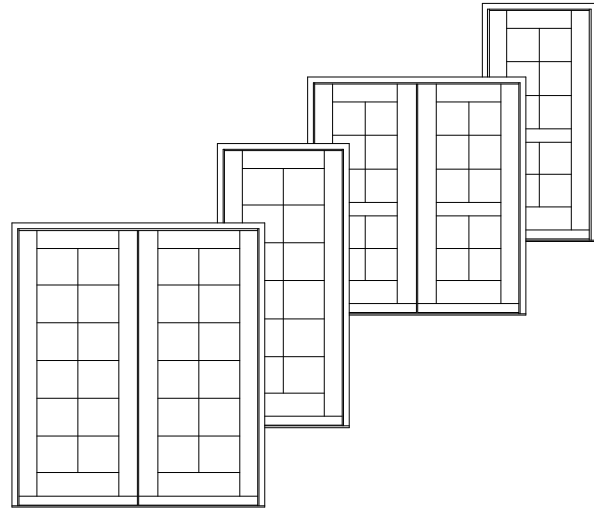
DIMENSIONAL DOORS

Wood Epic in-swing doors may be specified as "dimensional" by adjusting the desired rough opening width or height in 1/4" increments from standard.

Wood Epic in-swing doors are available in single & twin styles. The standard size range includes sizes specifically designed for replacement of older door models in existing structures, as well as a full range of "true size" products for architectural consistency.

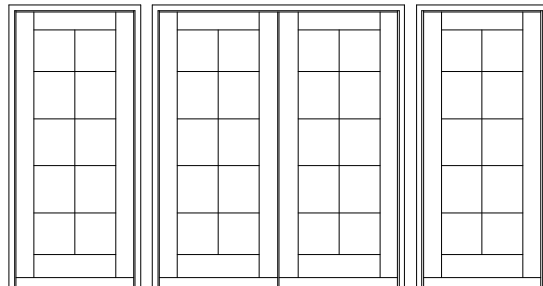
OPERATION

Wood Epic in-swing doors are available in single & twin operating styles. Single panel doors may be specified as stationary (non-venting) or can operate left or right. Two-panel doors feature two operating panels, both of which are active. Configuration and handing is based on viewing the door from the interior.



MULTIPLE ASSEMBLIES

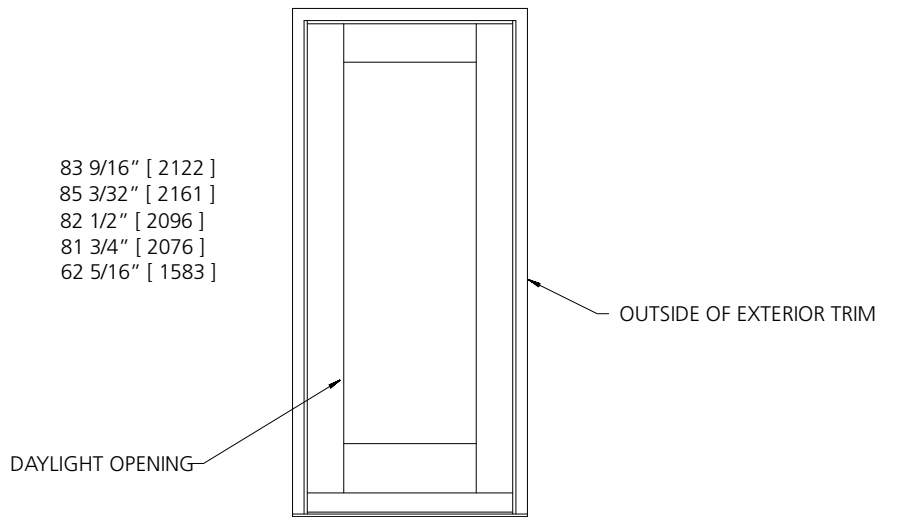
Wood Epic in-swing doors may be mulled below or beside other wood door and window products. Factory assembled mulls are limited in height (100"), width (150"), and a total area (75 square feet).



ELEVATION NOTES

ELEVATION DRAWINGS UTILIZE A LIMITED NUMBER OF PROJECTED LINES TO PRODUCE A RUDIMENTARY DRAWING INTENDED TO BE USED IN A SMALL GRAPHICAL SCALE. ELEVATIONS ARE VIEWED PERPENDICULAR FROM THE EXTERIOR OF THE STRUCTURE. IF MORE DIMENSIONS ARE NEEDED, USE THE SECTION DRAWINGS FOR MORE COMPLETE DEPICTIONS.

M.O. Brickmould	40 9/16" [1030]	Masonry Openings for Brickmould, Flat & Adams Casing. (Subtract 1/2" from Masonry Opening for Unit Size)
M.O. Adams/Flat Casing	43 5/8" [1108]	
Rough Opening	38 3/16" [970]	
Frame Size	37 7/16" [951]	
Daylight Opening	22 5/8" [575]	



WISWTC3068

'WISWTC' INDICATES WOOD EPIC IN-SWING DOOR
'WIFRTC' INDICATES WOOD EPIC IN-SWING FRENCH DOOR
'T' INDICATES 'TRUE SIZE'
'C' INDICATES 'COMMERCIAL DOOR'

BOOK CODE
THE LAST TWO NUMBERS INDICATE THE UNIT HEIGHT
THE FIRST TWO NUMBERS INDICATE THE UNIT WIDTH

GENERAL SWINGING DOOR NOTES

1. WOOD EPIC IN-SWING DOOR (WISWTC) UNITS ARE AVAILABLE AS OPERATING OR STATIONARY UNITS.
2. UNIT ELEVATIONS ARE SHOWN WITHOUT EXTERIOR TRIM. UNIT SIZES & MASONRY OPENING DIMENSIONS WILL CHANGE WITH THE ADDITION OF EXTERIOR TRIM. SEE THE 'UNIT SIZING, ROUGH OPENINGS & MASONRY OPENINGS' PAGE FOR EXTERIOR TRIM EFFECTS.
3. OPERATING UNITS ARE AVAILABLE AS LEFT OR RIGHT HAND OPERATION.
4. HANDICAP SILL AND 10 1/4" BOTTOM RAILS ARE STANDARD ON ALL UNITS.
5. INTERMEDIATE LOCK RAILS ARE AVAILABLE FOR ALL UNITS.

OPERATING 1-PANEL UNITS

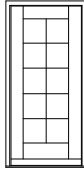
**M.O. BRICKMOUND
M.O. ADAMS/FLAT CASING
ROUGH OPENING
FRAME SIZE
DAYLIGHT OPENING**

40 9/16" [1030]
43 5/8" [1108]
38 3/16" [969]
37 7/16" [951]
22 5/8" [575]

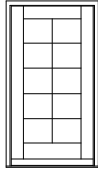
46 9/16" [1183]
49 5/8" [1260]
44 3/16" [1122]
43 7/16" [1103]
28 5/8" [727]

48 9/16" [1233]
51 5/8" [1311]
46 3/16" [1173]
45 7/16" [1154]
30 5/8" [779]

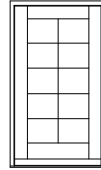
83 9/16" [2122]
85 3/2" [2161]
82 1/2" [2095]
81 3/4" [2076]
62 5/16" [1582]



WISWTC3068

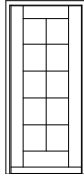


WISWTC3668

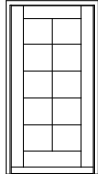


WISWTC3868

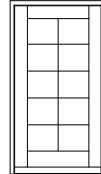
87 9/16" [2224]
89 3/2" [2263]
86 1/2" [2197]
85 3/4" [2178]
65 5/16" [1684]



WISWTC3070

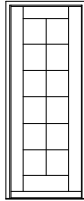


WISWTC3670

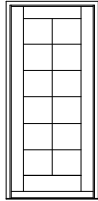


WISWTC3870

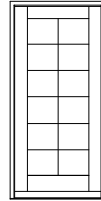
99 9/16" [2529]
101 3/2" [2568]
98 1/2" [2502]
97 3/4" [2483]
78 5/16" [1989]



WISWTC3080

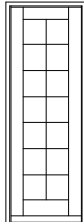


WISWTC3680

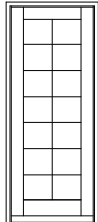


WISWTC3880

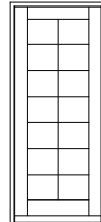
111 9/16" [2834]
113 3/2" [2873]
110 1/2" [2806]
109 3/4" [2788]
90 5/16" [2294]



WISWTC3090



WISWTC3690



WISWTC3890

ELEVATION SYMBOL LEGEND:

M.O. = MASONRY OPENING
VALUES IN [] ARE IN MILLIMETER CONVERSIONS.

Note: Elevations shown DO NOT have exterior trim. Subtract 1/2" (12.7) from M.O. (Masonry Opening) for Unit Size. For other Trim Options refer to the Unit Sizing, Rough Opening & Masonry Openings page.

SCALE: 1/8" = 1'

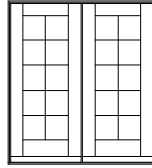
2-PANEL UNITS

M.O. BRICKMOULD
M.O. ADAMS/FLAT CASING
ROUGH OPENING
FRAME SIZE
DAYLIGHT OPENING

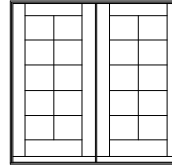
76 7/8" [1953]
79 15/16" [2030]
74 1/2" [1892]
73 3/4" [1873]
22 5/8" [575]

88 7/8" [2257]
91 15/16" [2335]
86 1/2" [2197]
85 3/4" [2178]
28 5/8" [727]

83 9/16" [2122]
85 3/32" [2161]
82 1/2" [2095]
81 3/4" [2076]
62 5/16" [1582]

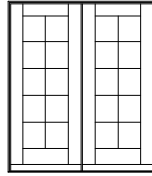


WIFRTC6068

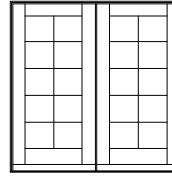


WIFRTC7068

87 9/16" [2224]
89 3/32" [2263]
86 1/2" [2197]
85 3/4" [2178]
66 5/16" [1684]

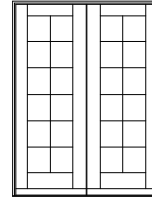


WIFRTC6070

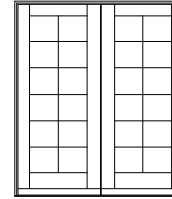


WIFRTC7070

99 9/16" [2529]
101 3/32" [2568]
98 1/2" [2502]
97 3/4" [2483]
78 5/16" [1989]

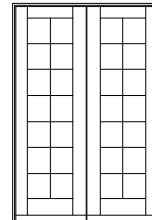


WIFRTC6080

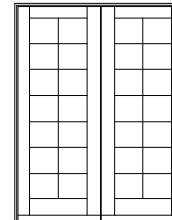


WIFRTC7080

111 9/16" [2834]
113 3/32" [2873]
110 1/2" [2806]
109 3/4" [2788]
90 5/16" [2294]



WIFRTC6090



WIFRTC7090

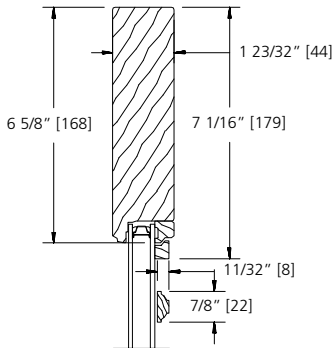
ELEVATION SYMBOL LEGEND:
M.O. = MASONRY OPENING
VALUES IN [] ARE IN MILLIMETER CONVERSIONS.

Note: Elevations shown DO NOT have exterior trim. Subtract 1/2" (12.7) from M.O. (Masonry Opening) for Unit Size. For other Trim Options refer to the Unit Sizing, Rough Opening & Masonry Openings page.

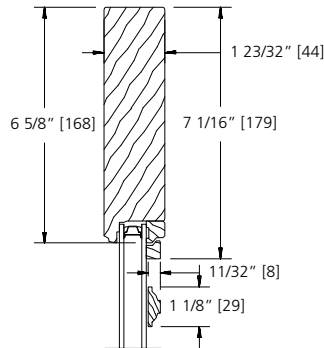
SCALE: 1/8" = 1'

GLAZING OPTIONS

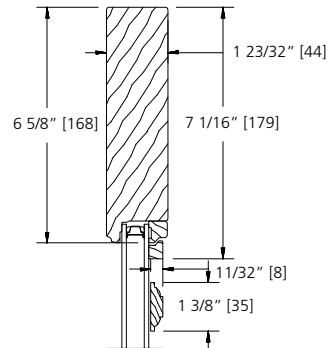
INTERIOR GLAZED
INSULATED 3/4" [19] GLASS



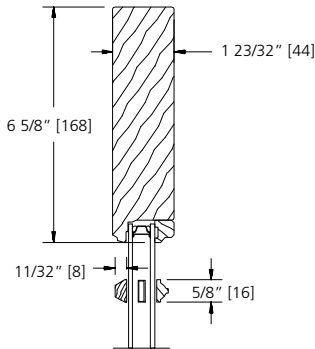
7/8" GRILLE BAR



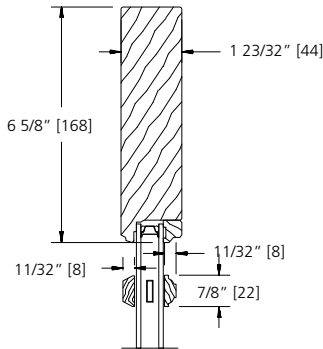
1 1/8" GRILLE BAR



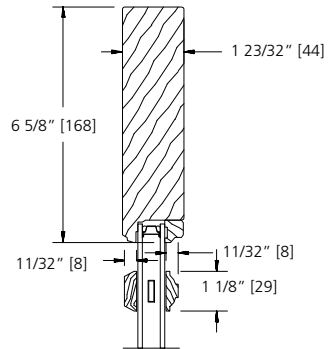
1 3/8" GRILLE BAR



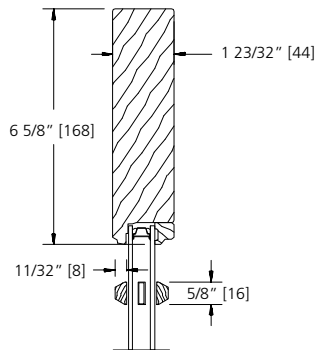
**5/8" SDL BAR
(PUTTY/BEAD)**



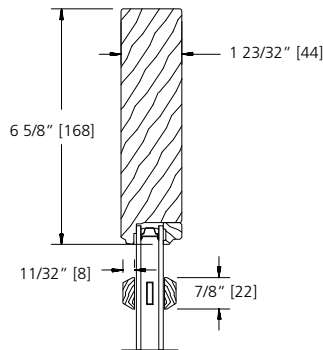
**7/8" SDL BAR
(PUTTY/BEAD)**



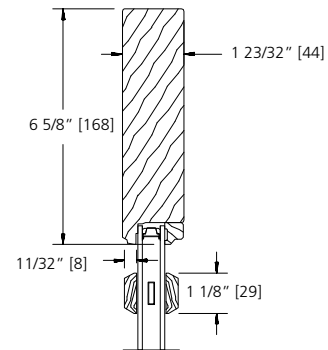
**1 1/8" SDL BAR
(PUTTY/BEAD)**



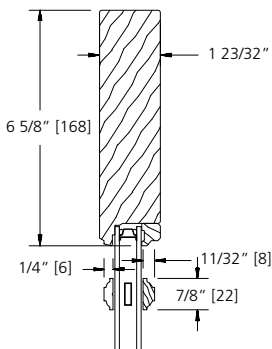
**5/8" SDL BAR
(PUTTY/PUTTY)**



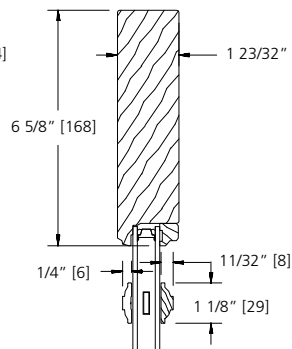
**7/8" SDL BAR
(PUTTY/PUTTY)**



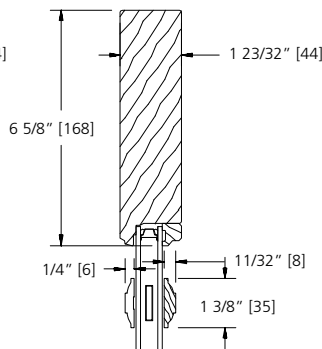
**1 1/8" SDL BAR
(PUTTY/PUTTY)**



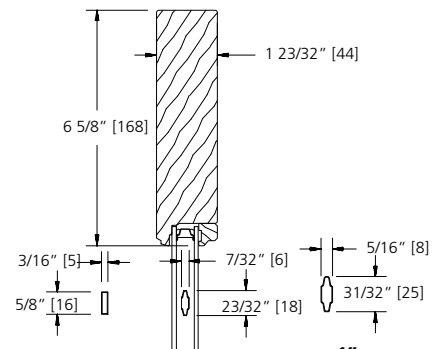
**7/8" SDL BAR
(BEAD STOP)**



**1 1/8" SDL BAR
(BEAD STOP)**



**1 3/8" SDL BAR
(BEAD STOP)**



5/8" FLAT

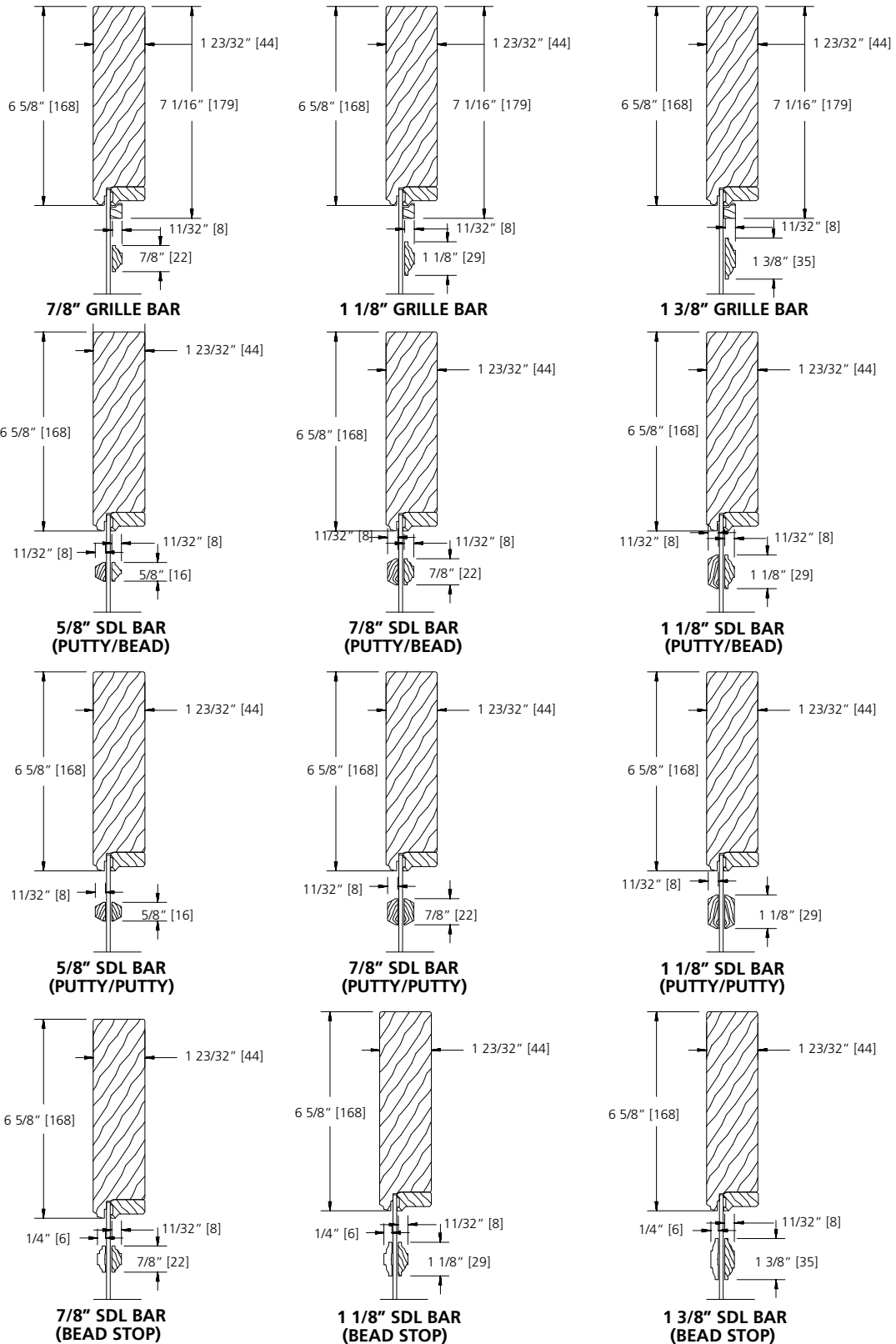
23/32" CONTOUR

1" CONTOUR

SCALE: NTS

GLAZING OPTIONS

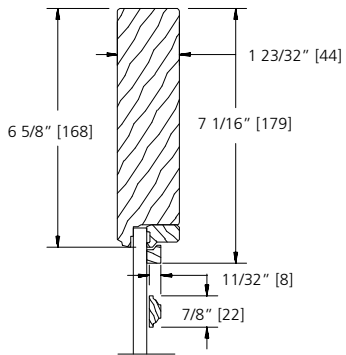
INTERIOR GLAZED
SINGLE 1/8" [3] GLASS



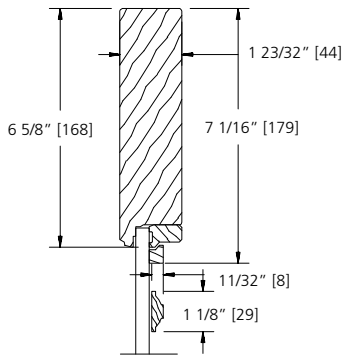
SCALE: NTS

GLAZING OPTIONS

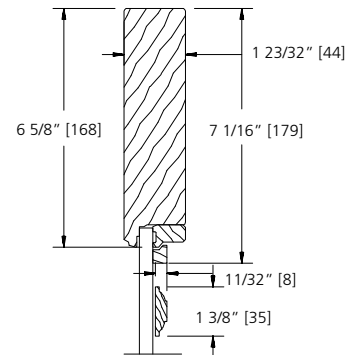
INTERIOR GLAZED
IMPACT RESISTANT GLASS



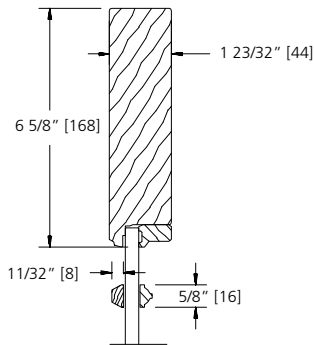
7/8" GRILLE BAR



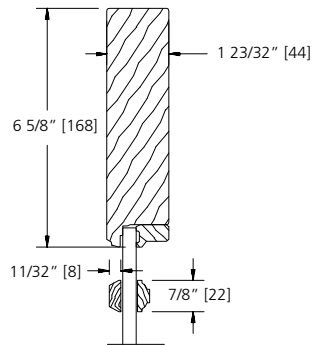
1 1/8" GRILLE BAR



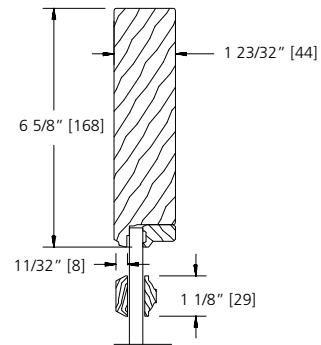
1 3/8" GRILLE BAR



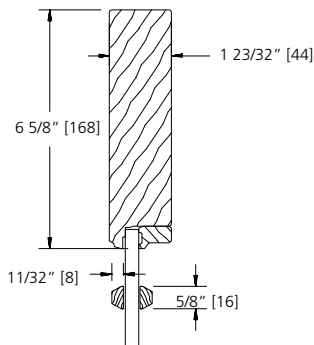
**5/8" SDL BAR
(PUTTY/BEAD)**



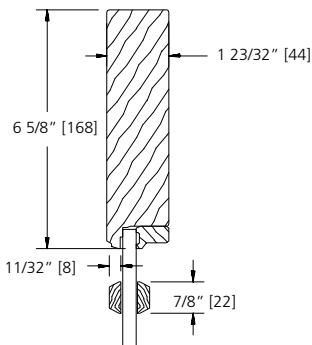
**7/8" SDL BAR
(PUTTY/BEAD)**



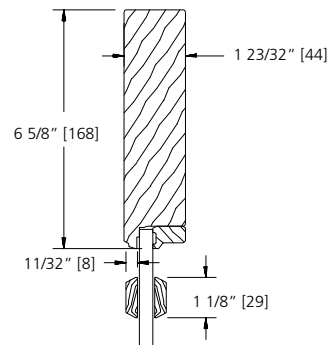
**1 1/8" SDL BAR
(PUTTY/BEAD)**



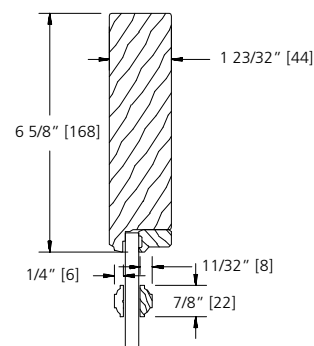
**5/8" SDL BAR
(PUTTY/PUTTY)**



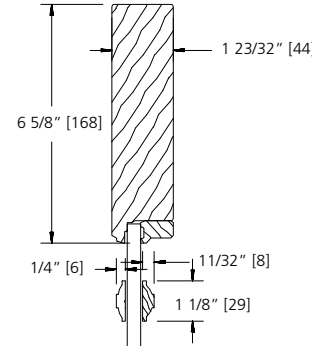
**7/8" SDL BAR
(PUTTY/PUTTY)**



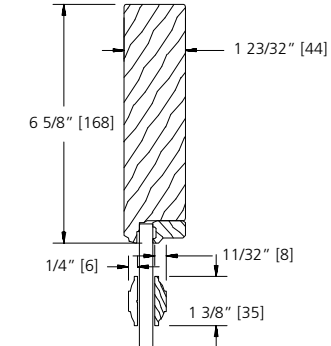
**1 1/8" SDL BAR
(PUTTY/PUTTY)**



**7/8" SDL BAR
(BEAD STOP)**



**1 1/8" SDL BAR
(BEAD STOP)**

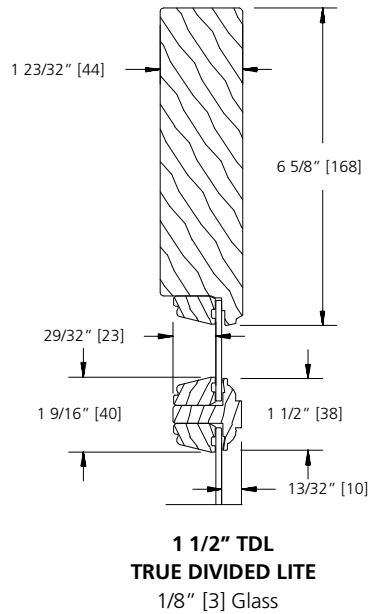
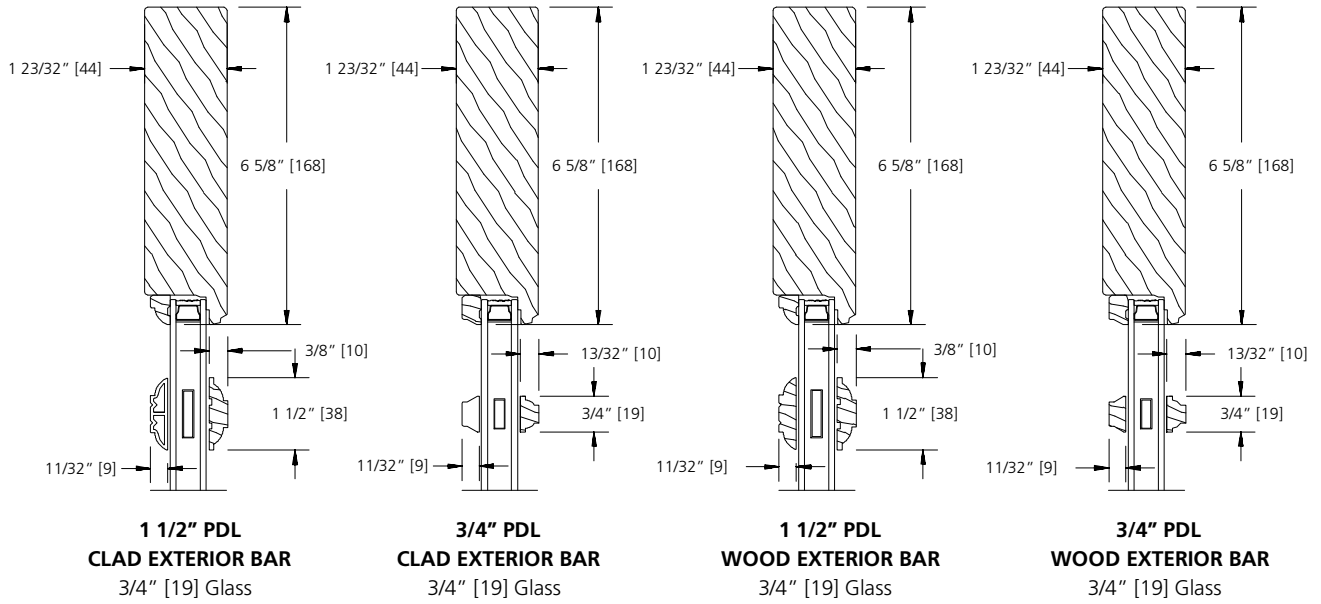


**1 3/8" SDL BAR
(BEAD STOP)**

SCALE: NTS

GLAZING OPTIONS

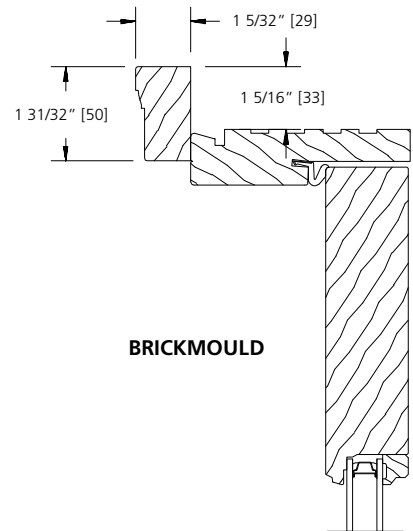
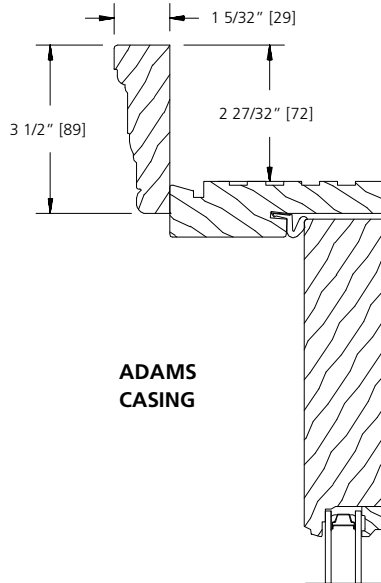
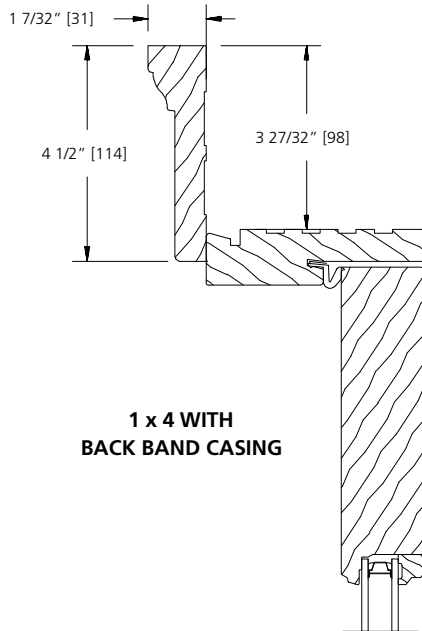
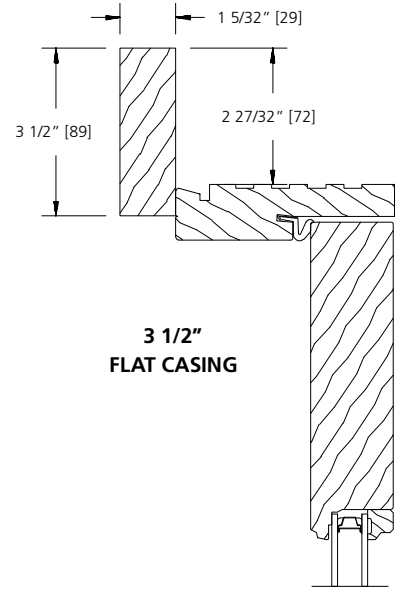
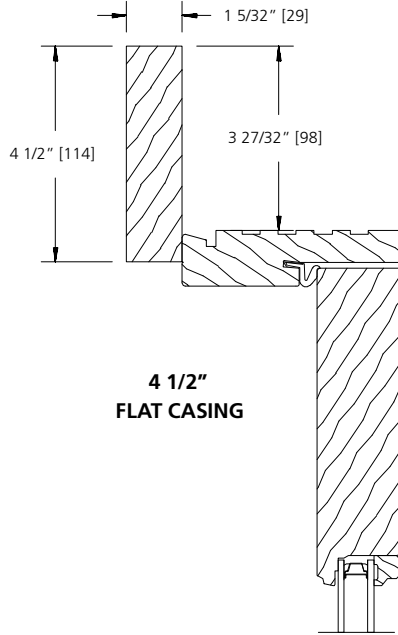
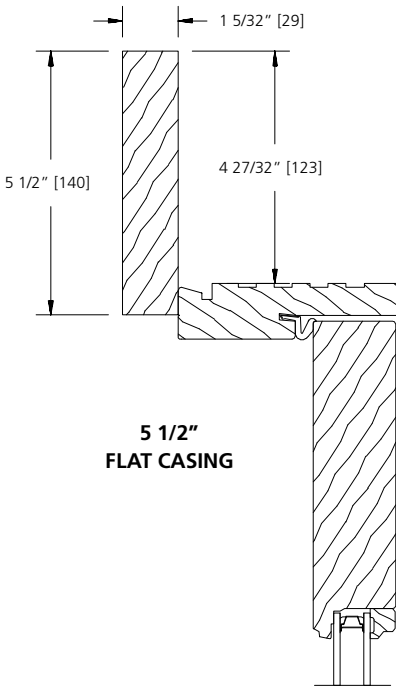
EXTERIOR GLAZED



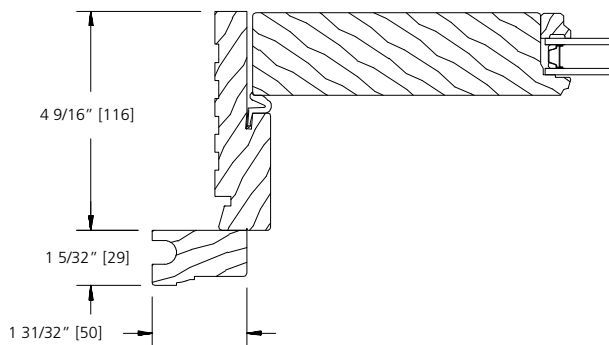
SCALE: 3" = 1'

TRIM OPTIONS

EXTERIOR TRIM

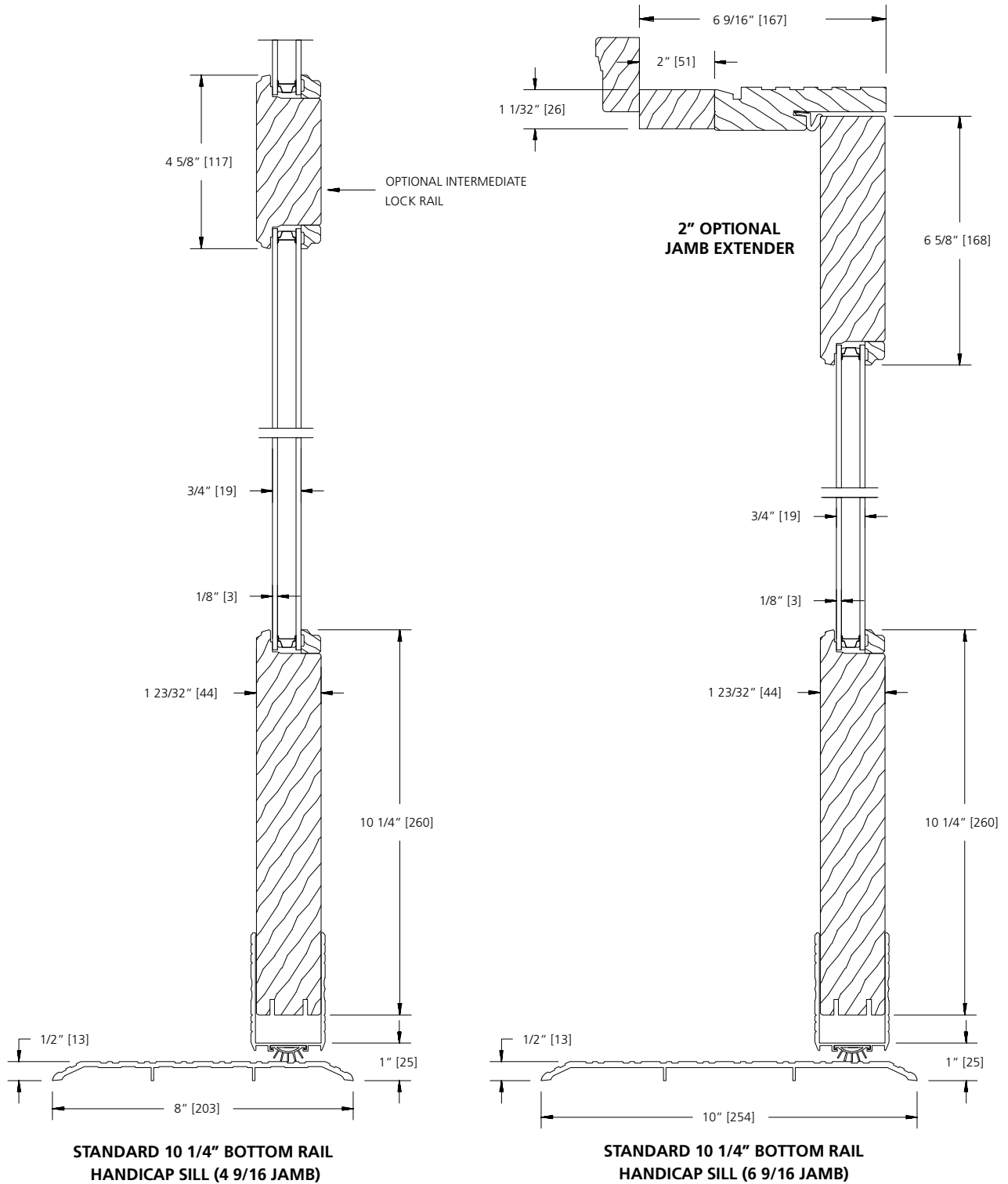


STUCCO EXTERIOR TRIM



SCALE: 3" = 1'

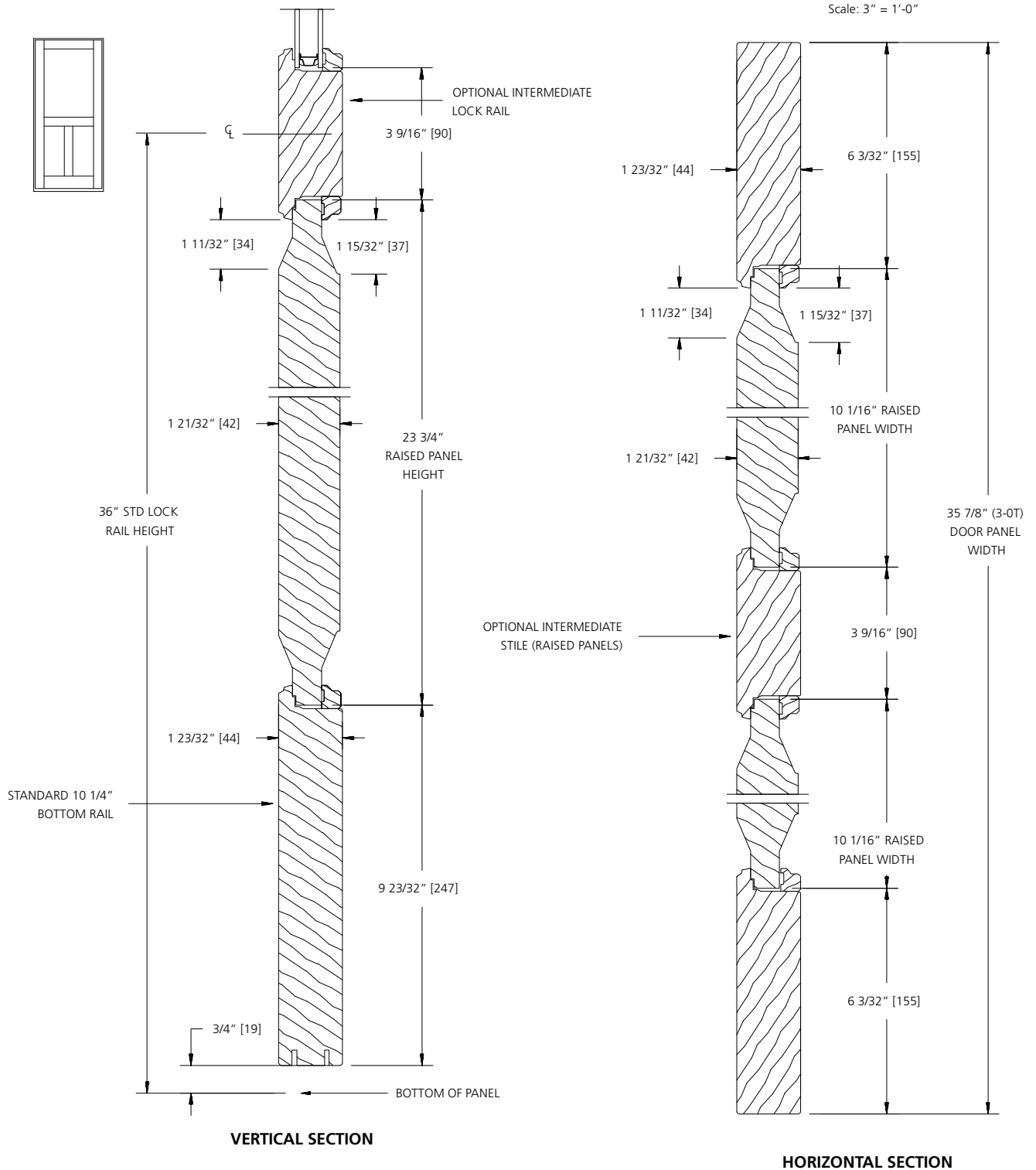
RAIL, PANEL & SILL OPTIONS



SCALE: 3" = 1'

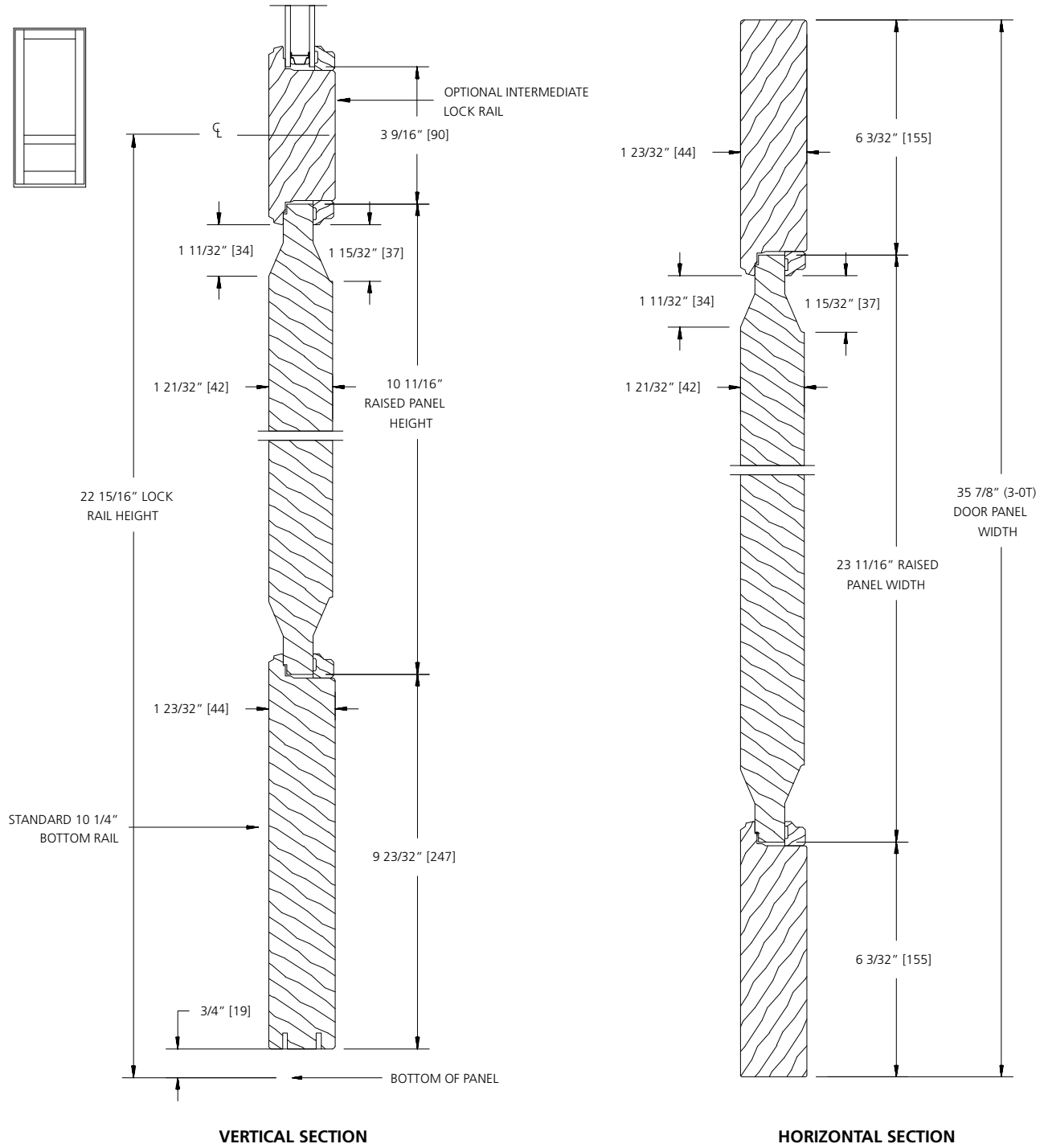
RAIL, PANEL & SILL OPTIONS

STANDARD RAISED PANEL OPTIONS



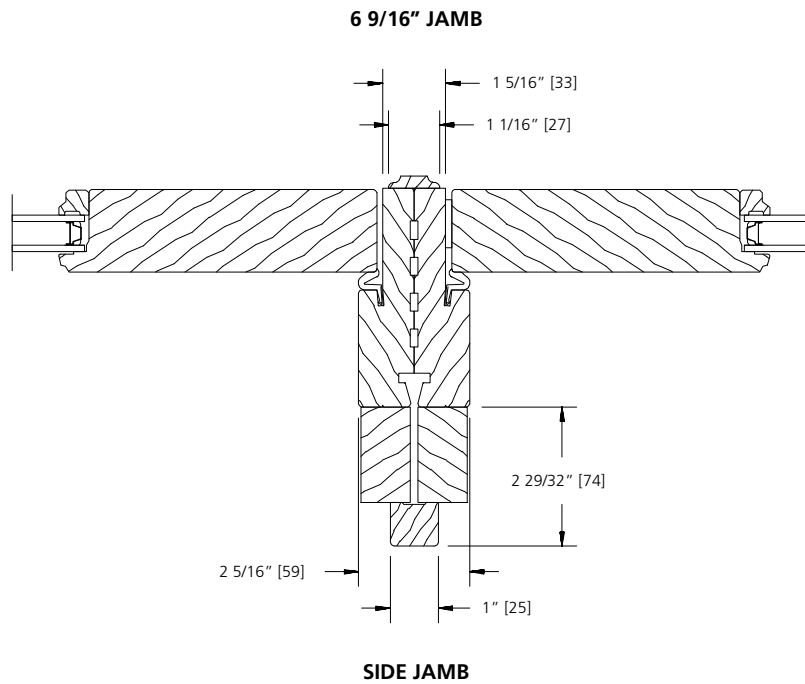
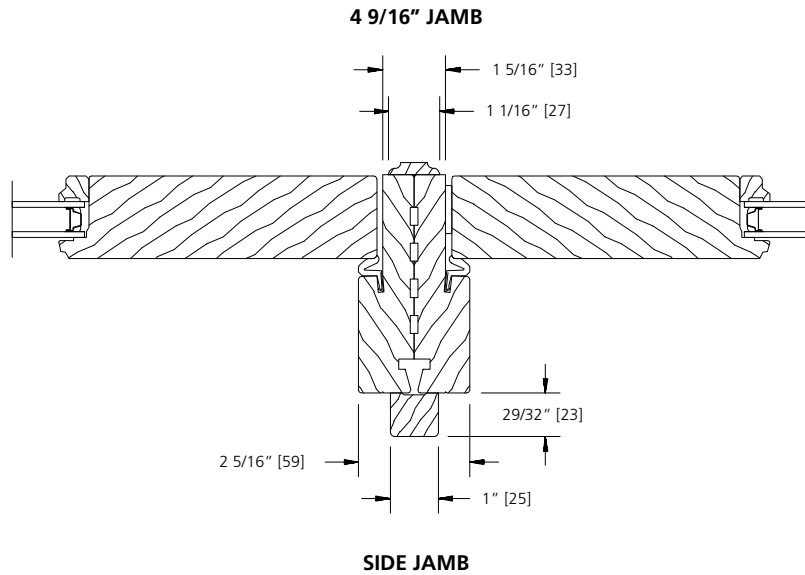
RAIL, PANEL & SILL OPTIONS

OPTIONAL RAISED PANEL OPTIONS



SCALE: 3" = 1'

STANDARD MULLION DETAILS



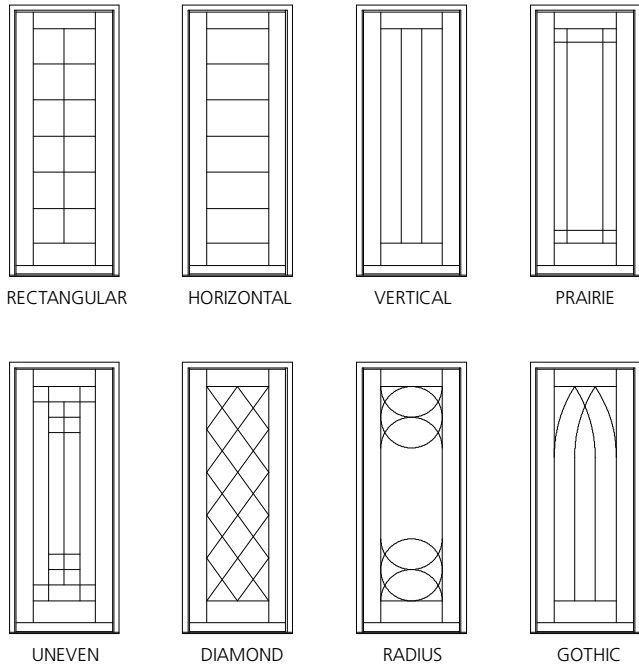
SCALE: 3" = 1'

LITE CUT INFORMATION

Wood Epic in-swing doors are available with removable grilles in 5/8", 7/8", 1-1/8", and 1-3/8" widths, with GBG (Grilles between the Glass), or with Simulated Divided Lites. Standard lite cuts as rectangular.

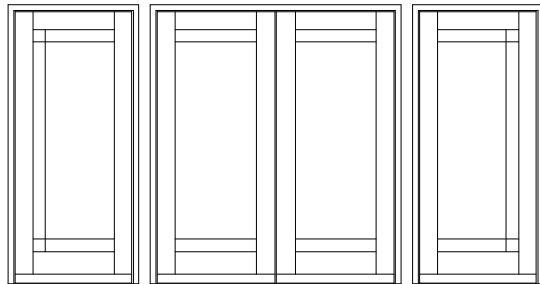
LITE CUT OPTIONS

Special lite cut patterns can include a wide variety of straight line and radius patterns. The illustrations shown here represent just a few of the possibilities. Rectangular, horizontal, vertical and Prairie lite patterns are available in all standard size wood Epic swinging doors. Uneven, diamond, radius and Gothic lite cuts are available subject to approval. Approvals are based on the ability to fulfill the design requirements while maintaining the construction integrity of the finished product.

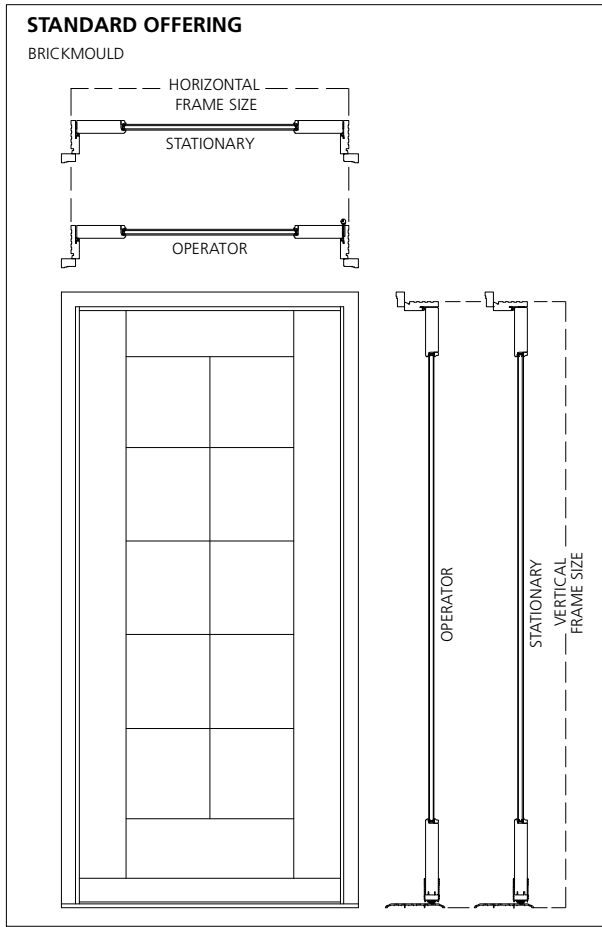


BAR ALIGNMENT

Alignment of divided lite muntin bars from one product to the next is often required by fine architectural design. Wood grilles, GBG (Grilles between the Glass), and Simulated Divided Lites may be specified with muntin bars aligned.



**UNIT SIZING, ROUGH OPENINGS
& MASONRY OPENINGS**



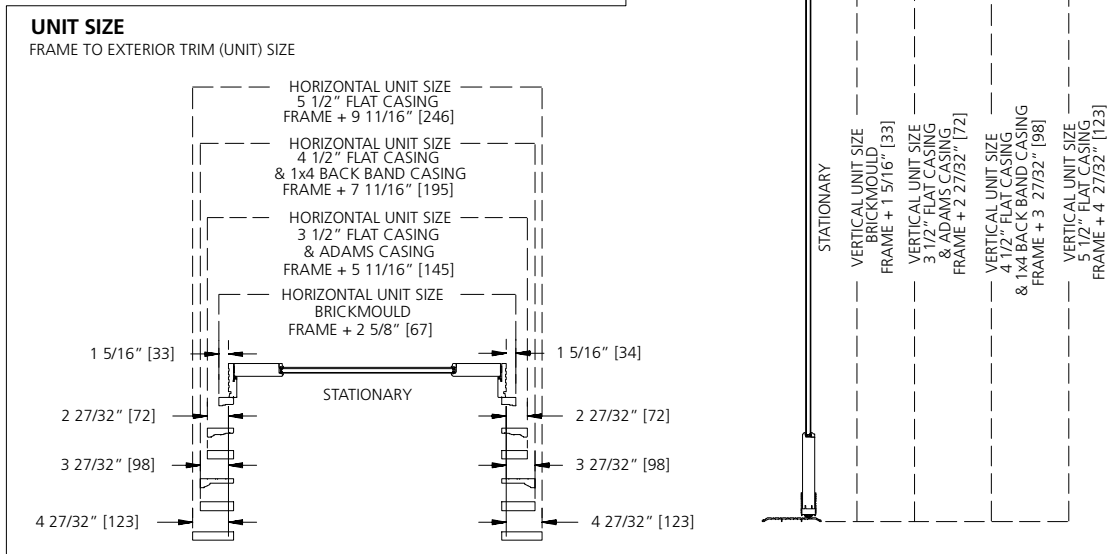
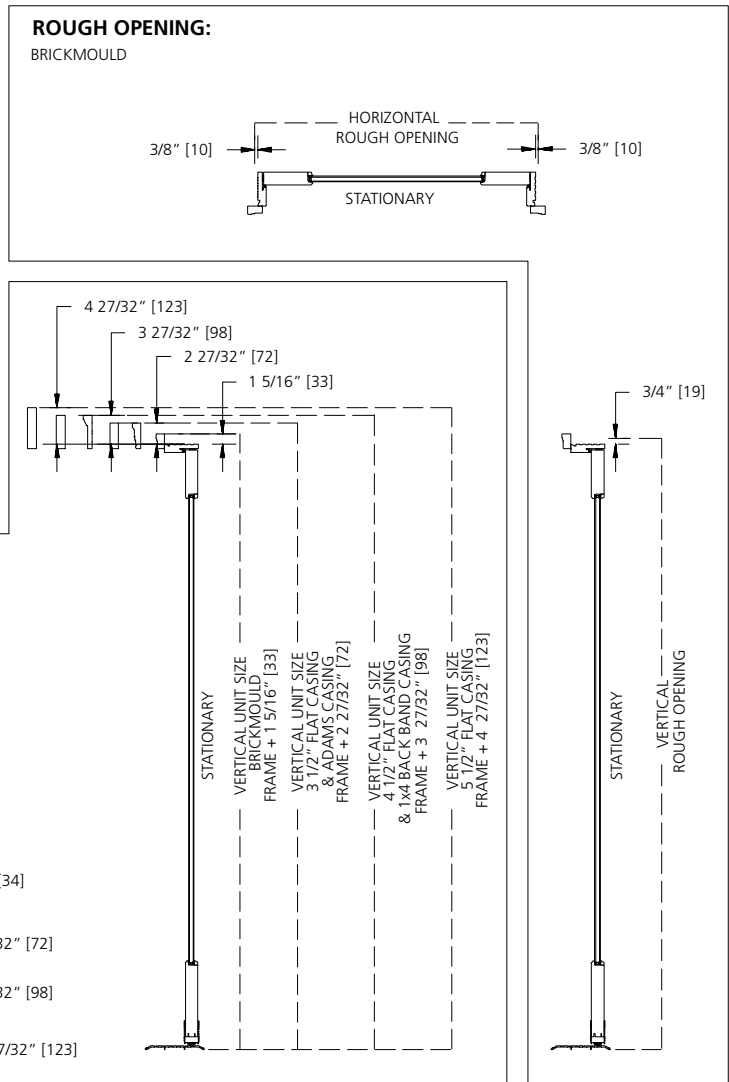
GENERAL NOTES:

UNITS WITH NO EXTERIOR TRIM
FRAME SIZE = UNIT SIZE

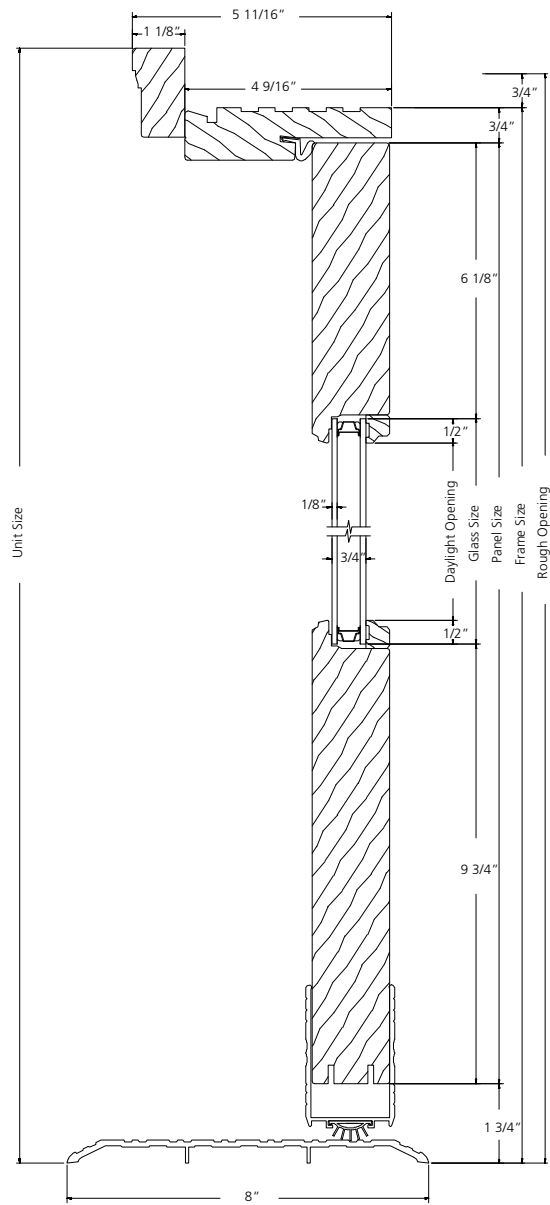
UNIT SIZE IS ALWAYS THE
EXTREME SIZE OF THE DOOR
WITH OR WITHOUT TRIM

ROUGH OPENING IS ALWAYS 3/4" OVER
FRAME SIZE OF THE DOOR

MASONRY OPENING IS ALWAYS 1/2"
OVER THE UNIT SIZE OF THE DOOR



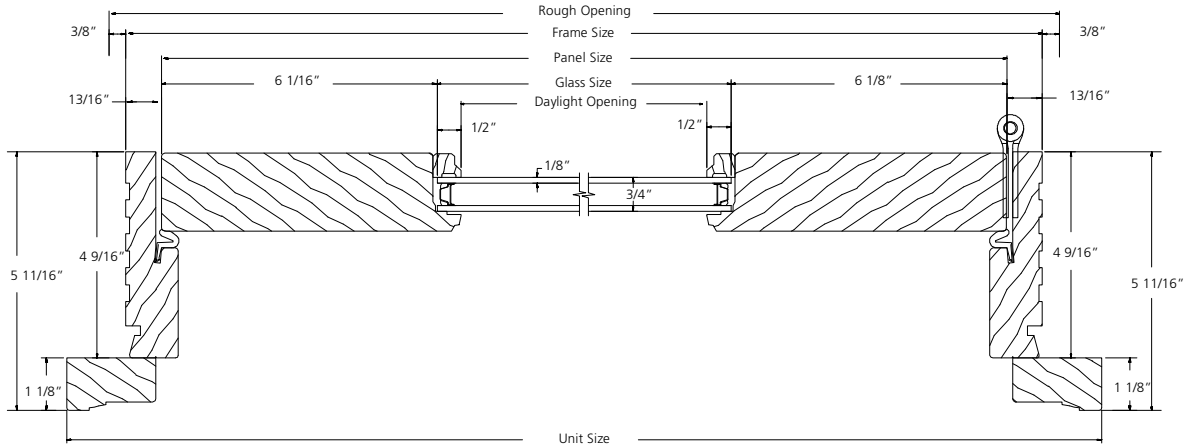
1-PANEL UNIT



VERTICAL SECTION

SCALE: 3" = 1'

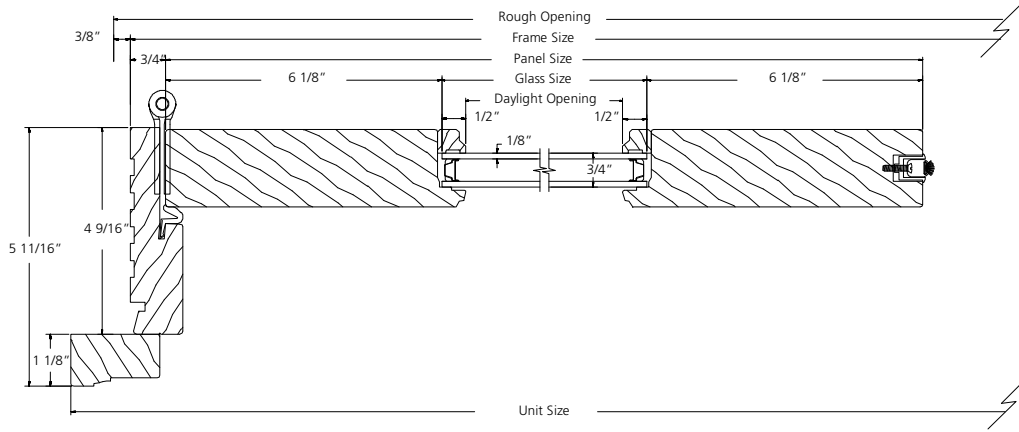
1-PANEL UNIT



HORIZONTAL SECTION

SCALE: 3" = 1'

2 PANEL FRENCH OPERATING UNIT



HORIZONTAL SECTION

SCALE: 3" = 1'