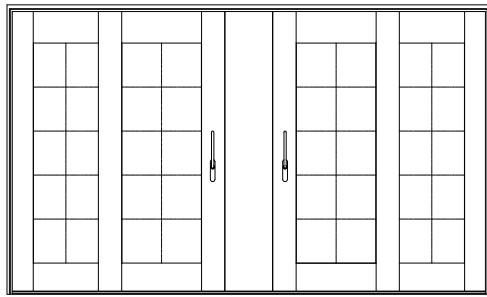

TABLE OF CONTENTS

General Information	1-2
Sizing & Configurations	1-3
Stacked Uni-Directional	1-5
Pocketed Uni-Directional	1-6
Stacked Bi-Directional	1-7
Pocketed Bi-Directional	1-8
Lite Cut Information	1-9
Sill Options	1-10
Section Details	1-11
Min-Max Sizing	1-18

GENERAL INFORMATION



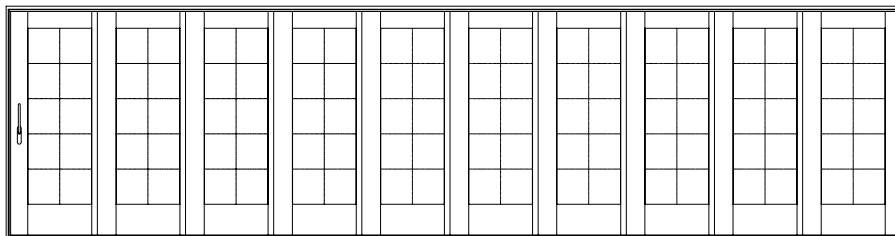
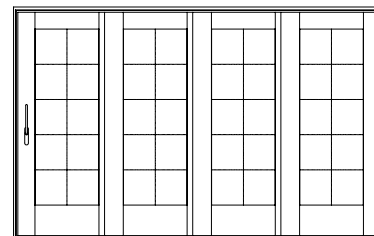
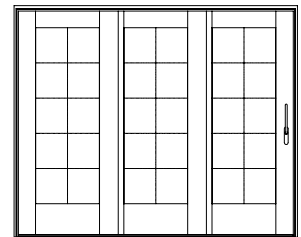
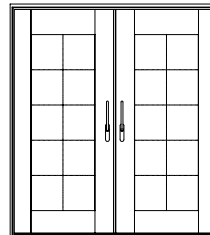
Fixed Operating Operating Fixed

SIZING OPTIONS:

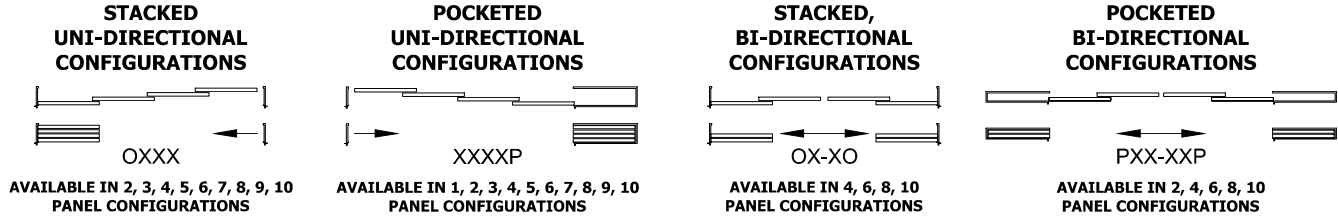
Custom Clad Lift and Slide Patio Doors are available in operating configurations from single panel pocket units through ten panel units up to 57 feet wide by 10 feet high. Available configurations include a multitude of standard panel sizes as well as custom sizes specified as "dimensional" by adjusting the desired rough opening width or height in 1/4" increments from standard.

CONFIGURATIONS:

Custom Clad Lift and Slide Patio Door operating configurations are comprised of four main types. Stacked uni-directional units open in either direction or with all panels stacking against either the left or right jamb. Stacked bi-directional units part in the center and stack half of the panels against both the left and right jambs. Uni-directional pocket units open into a pocket on either the left or right jamb. Bi-directional units part in the center and open in both directions into pockets on both the left and the right.



SIZING AND CONFIGURATIONS



➔ INDICATES THE DIRECTION OF OPERATION

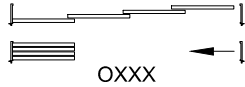
OPERATING CODE INDEX	
CODE	DEFINITION
O	Fixed panel and the position of stacked panels.
P	Indicates the position of pocket(s) in the configuration
X	Operating panels

CONFIGURATION CALLOUTS	Rough Opening Widths							
	Panel Widths							
	29 7/8	31 7/8	33 7/8	35 7/8	41 7/8	47 7/8	53 7/8	59 7/8
PX OR XP	65 11/16	69 11/16	73 11/16	77 11/16	89 11/16	101 11/16	113 11/16	125 11/16
PXX OR XXP	90 15/16	96 15/16	102 15/16	108 15/16	126 15/16	144 15/16	162 15/16	180 15/16
PXXX OR XXXP	116 3/16	124 3/16	132 3/16	140 3/16	164 3/16	188 3/16	212 3/16	236 3/16
PXXXX OR XXXXP	141 7/16	151 7/16	161 7/16	171 7/16	201 7/16	231 7/16	261 7/16	291 7/16
PXXXXX OR XXXXXP	166 11/16	178 11/16	190 11/16	202 11/16	238 11/16	274 11/16	310 11/16	346 11/16
PXXXXXX OR XXXXXXP	191 15/16	205 15/16	219 15/16	233 15/16	275 15/16	317 15/16	359 15/16	401 15/16
PXXXXXXX OR XXXXXXXP	217 3/16	233 3/16	249 3/16	265 3/16	313 3/16	361 3/16	409 3/16	457 3/16
PXXXXXXX OR XXXXXXXP	242 7/16	260 7/16	278 7/16	296 7/16	350 7/16	404 7/16	458 7/16	512 7/16
PXXXXXXX OR XXXXXXXP	267 11/16	287 11/16	307 11/16	327 11/16	387 11/16	447 11/16	507 11/16	567 11/16
PXXXXXXXX OR XXXXXXXXP	292 15/16	314 15/16	336 15/16	358 15/16	424 15/16	490 15/16	556 15/16	622 15/16
OX OR XO	58 1/4	62 1/4	66 1/4	70 1/4	82 1/4	94 1/4	106 1/4	118 1/4
OXX OR XXO	83 1/2	89 1/2	95 1/2	101 1/2	119 1/2	137 1/2	155 1/2	173 1/2
OXXX OR XXXO	108 3/4	116 3/4	124 3/4	132 3/4	156 3/4	180 3/4	204 3/4	228 3/4
OXXXX OR XXXXO	134	144	154	164	194	224	254	284
OXXXXX OR XXXXXO	159 1/4	171 1/4	183 1/4	195 1/4	231 1/4	267 1/4	303 1/4	339 1/4
OXXXXXX OR XXXXXXO	184 1/2	198 1/2	212 1/2	226 1/2	268 1/2	310 1/2	352 1/2	394 1/2
OXXXXXXX OR XXXXXXO	209 3/4	225 3/4	241 3/4	257 3/4	305 3/4	353 3/4	401 3/4	449 3/4
OXXXXXXX OR XXXXXXO	235	253	271	289	343	397	451	505
OXXXXXXXX OR XXXXXXXXP	260 1/4	280 1/4	300 1/4	320 1/4	380 1/4	440 1/4	500 1/4	560 1/4
OX-XO	114 1/4	122 1/4	130 1/4	138 1/4	162 1/4	186 1/4	210 1/4	234 1/4
OXX-XXO	164 3/4	176 3/4	188 3/4	200 3/4	236 3/4	272 3/4	308 3/4	344 3/4
OXXX-XXXO	215 1/4	231 1/4	247 1/4	263 1/4	311 1/4	359 1/4	407 1/4	455 1/4
OXXXX-XXXXO	265 3/4	285 3/4	305 3/4	325 3/4	385 3/4	445 3/4	505 3/4	565 3/4
OXXXXX-XXXXO	316 1/4	340 1/4	364 1/4	388 1/4	460 1/4	532 1/4	604 1/4	676 1/4
PX-XP	126 7/8	134 7/8	142 7/8	150 7/8	174 7/8	198 7/8	222 7/8	246 7/8
PXX-XXP	177 3/8	189 3/8	201 3/8	213 3/8	249 3/8	285 3/8	321 3/8	357 3/8
PXXX-XXXP	227 7/8	243 7/8	259 7/8	275 7/8	323 7/8	371 7/8	419 7/8	467 7/8
PXXXX-XXXXP	278 3/8	298 3/8	318 3/8	338 3/8	398 3/8	458 3/8	518 3/8	578 3/8
PXXXXX-XXXXP	328 7/8	352 7/8	376 7/8	400 7/8	472 7/8	544 7/8	616 7/8	688 7/8

Configurations	Frame Widths							
	Panel Widths							
	29 7/8	31 7/8	33 7/8	35 7/8	41 7/8	47 7/8	53 7/8	59 7/8
PX OR XP	64 11/16	68 11/16	72 11/16	76 11/16	88 11/16	100 11/16	112 11/16	124 11/16
PXX OR XXP	89 15/16	95 15/16	101 15/16	107 15/16	125 15/16	143 15/16	161 15/16	179 15/16
PXXX OR XXXP	115 3/16	123 3/16	131 3/16	139 3/16	163 3/16	187 3/16	211 3/16	235 3/16
PXXXX OR XXXXP	140 7/16	150 7/16	160 7/16	170 7/16	200 7/16	230 7/16	260 7/16	290 7/16
PXXXXX OR XXXXXP	165 11/16	177 11/16	189 11/16	201 11/16	237 11/16	273 11/16	309 11/16	345 11/16
PXXXXXX OR XXXXXXP	190 15/16	204 15/16	218 15/16	232 15/16	274 15/16	316 15/16	358 15/16	400 15/16
PXXXXXXX OR XXXXXXXP	216 3/16	232 3/16	248 3/16	264 3/16	312 3/16	360 3/16	408 3/16	456 3/16
PXXXXXXX OR XXXXXXXP	241 7/16	259 7/16	277 7/16	295 7/16	349 7/16	403 7/16	457 7/16	511 7/16
PXXXXXXX OR XXXXXXXP	266 11/16	286 11/16	306 11/16	326 11/16	386 11/16	446 11/16	506 11/16	566 11/16
PXXXXXXXX OR XXXXXXXXP	291 15/16	313 15/16	335 15/16	357 15/16	423 15/16	489 15/16	555 15/16	621 15/16
OX OR XO	57 1/4	61 1/4	65 1/4	69 1/4	81 1/4	93 1/4	105 1/4	117 1/4
OXX OR XXO	82 1/2	88 1/2	94 1/2	100 1/2	118 1/2	136 1/2	154 1/2	172 1/2
OXXX OR XXXO	107 3/4	115 3/4	123 3/4	131 3/4	155 3/4	179 3/4	203 3/4	227 3/4
OXXXX OR XXXXO	133	143	153	163	193	223	253	283
OXXXXX OR XXXXXO	158 1/4	170 1/4	182 1/4	194 1/4	230 1/4	266 1/4	302 1/4	338 1/4
OXXXXXX OR XXXXXXO	183 1/2	197 1/2	211 1/2	225 1/2	267 1/2	309 1/2	351 1/2	393 1/2
OXXXXXXX OR XXXXXXO	208 3/4	224 3/4	240 3/4	256 3/4	304 3/4	352 3/4	400 3/4	448 3/4
OXXXXXXX OR XXXXXXO	234	252	270	288	342	396	450	504
OXXXXXXXX OR XXXXXXXXP	259 1/4	279 1/4	299 1/4	319 1/4	379 1/4	439 1/4	499 1/4	559 1/4
OX-XO	113 1/4	121 1/4	129 1/4	137 1/4	161 1/4	185 1/4	209 1/4	233 1/4
OXX-XXO	163 3/4	175 3/4	187 3/4	199 3/4	235 3/4	271 3/4	307 3/4	343 3/4
OXXX-XXXO	214 1/4	230 1/4	246 1/4	262 1/4	310 1/4	358 1/4	406 1/4	454 1/4
OXXXX-XXXXO	264 3/4	284 3/4	304 3/4	324 3/4	384 3/4	444 3/4	504 3/4	564 3/4
OXXXXX-XXXXO	315 1/4	339 1/4	363 1/4	387 1/4	459 1/4	531 1/4	603 1/4	675 1/4
PX-XP	125 7/8	133 7/8	141 7/8	149 7/8	173 7/8	197 7/8	221 7/8	245 7/8
PXX-XXP	176 3/8	188 3/8	200 3/8	212 3/8	248 3/8	284 3/8	320 3/8	356 3/8
PXXX-XXXP	226 7/8	242 7/8	258 7/8	274 7/8	322 7/8	370 7/8	418 7/8	466 7/8
PXXXX-XXXXP	277 3/8	297 3/8	317 3/8	337 3/8	397 3/8	457 3/8	517 3/8	577 3/8
PXXXXX-XXXXP	327 7/8	351 7/8	375 7/8	399 7/8	471 7/8	543 7/8	615 7/8	687 7/8

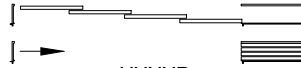
SIZING AND CONFIGURATIONS CONT'D

STACKED UNI-DIRECTIONAL CONFIGURATIONS



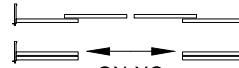
AVAILABLE IN 2, 3, 4, 5, 6, 7, 8, 9, 10
PANEL CONFIGURATIONS

POCKETED UNI-DIRECTIONAL CONFIGURATIONS



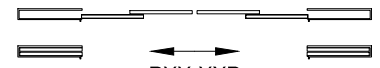
AVAILABLE IN 1, 2, 3, 4, 5, 6, 7, 8, 9, 10
PANEL CONFIGURATIONS

STACKED, BI-DIRECTIONAL CONFIGURATIONS



AVAILABLE IN 4, 6, 8, 10
PANEL CONFIGURATIONS

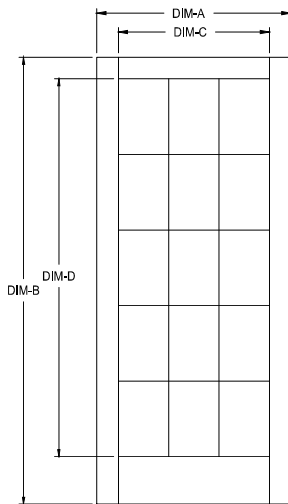
POCKETED BI-DIRECTIONAL CONFIGURATIONS



AVAILABLE IN 2, 4, 6, 8, 10
PANEL CONFIGURATIONS

→ INDICATES THE DIRECTION OF OPERATION

STANDARD PANEL SIZE OPTIONS:



Panel Heights and Corresponding Heights				
Panel Height (in)	Frame Height (in)	RO Height (in)	DO Height (in)	CO Height (in)
77	79 1/16	79 9/16	65 23/32	76 17/64
80	82 1/16	82 9/16	68 23/32	79 17/64
84	86 1/16	86 9/16	72 23/32	83 17/64
93	95 1/16	95 9/16	81 23/32	92 17/64
96	98 1/16	98 9/16	84 23/32	95 17/64
105	107 1/16	107 9/16	93 23/32	104 17/64
108	110 1/16	110 9/16	96 23/32	107 17/64
117	119 1/16	119 9/16	105 23/32	116 17/64
120	122 1/16	122 9/16	108 23/32	119 17/64

RO: Rough Opening
DO: Daylight Opening (DIM-D) [Total DO = (DO Height X DO Width) X #Panels]
CO: Clear Opening

Standard Panel Sizing Matrix	
PANEL WIDTH	PANEL HEIGHT
Dim. - A	Dim. - B
29.875	77
31.875	80
33.875	84
35.7/8	83
41 7/8	96
47 7/8	105
53 7/8	108
59 7/8	117
	120

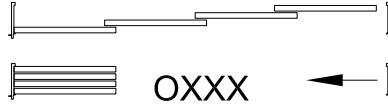
OPERATING CODE INDEX	
CODE	DEFINITION
O	Fixed panel and the position of stacked panels.
P	Indicates the position of pocket(s) in the configuration
X	Operating panels

Panel Widths And Corresponding Daylight Opening Per Panel (DIM-C)								
Panel Widths	29 7/8	31 7/8	33 7/8	35 7/8	41 7/8	47 7/8	53 7/8	59 7/8
DO width/ Panel	20 5/8	22 5/8	24 5/8	26 5/8	32 5/8	38 5/8	44 5/8	50 5/8

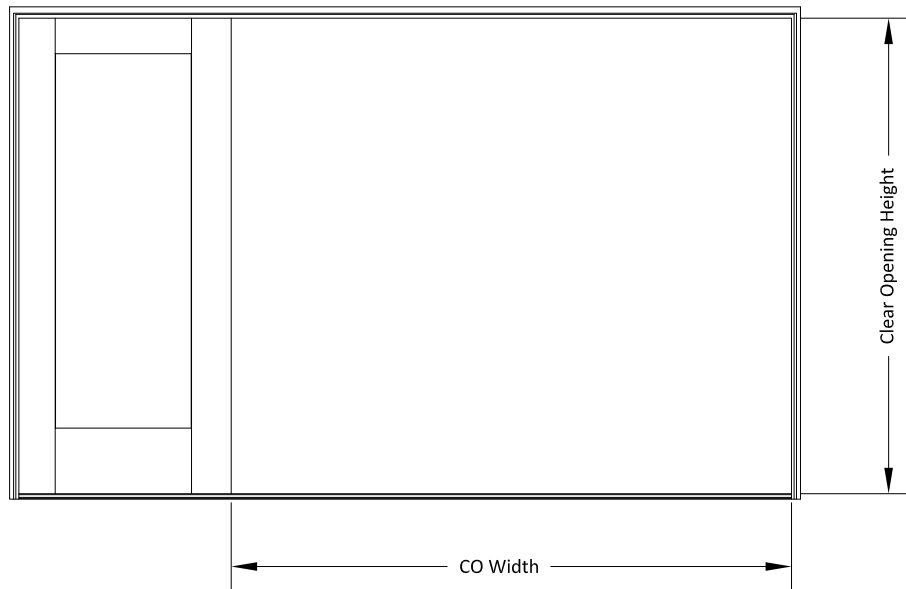
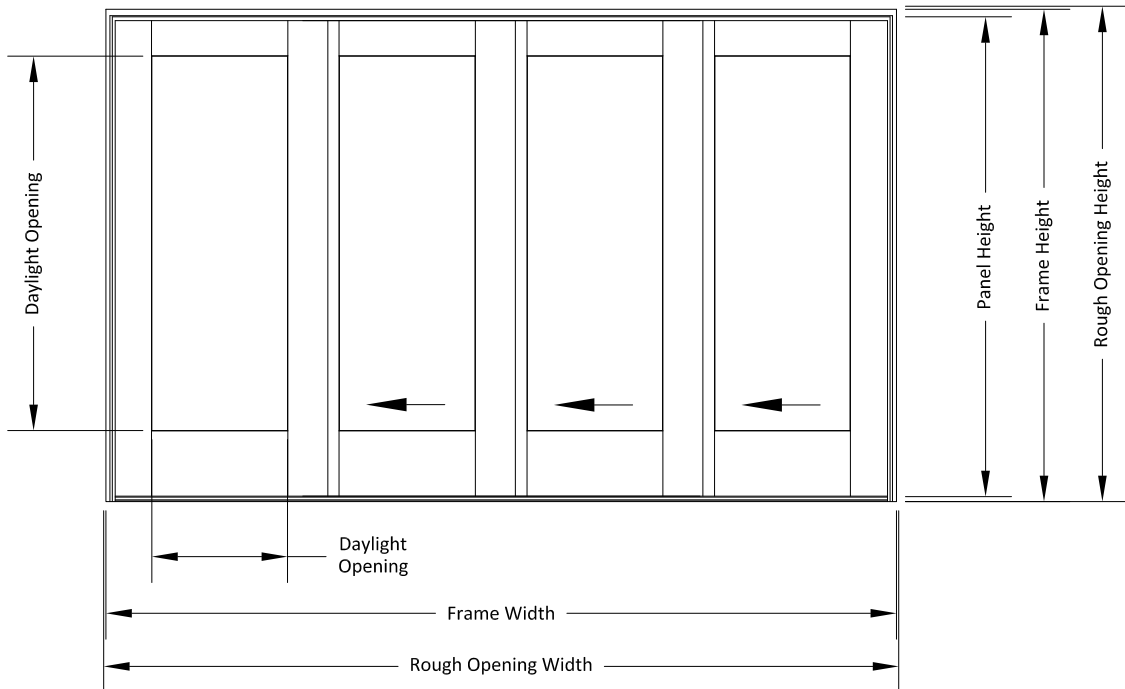
Clear Opening Widths								
Configurations	Panel Widths							
	29 7/8	31 7/8	33 7/8	35 7/8	41 7/8	47 7/8	53 7/8	59 7/8
PX OR XP	28 7/8	30 7/8	32 7/8	34 7/8	40 7/8	46 7/8	52 7/8	58 7/8
PXX OR XXP	54 1/8	58 1/8	62 1/8	66 1/8	78 1/8	90 1/8	102 1/8	114 1/8
PXXX OR XXXP	79 3/8	85 3/8	91 3/8	97 3/8	115 3/8	133 3/8	151 3/8	169 3/8
PXXXX OR XXXXP	104 5/8	112 5/8	120 5/8	128 5/8	152 5/8	176 5/8	200 5/8	224 5/8
PXXXXX OR XXXXP	129 7/8	139 7/8	149 7/8	159 7/8	189 7/8	219 7/8	249 7/8	279 7/8
PXXXXXX OR XXXXP	155 1/8	167 1/8	179 1/8	191 1/8	227 1/8	263 1/8	299 1/8	335 1/8
PXXXXXXX OR XXXXP	180 3/8	194 3/8	208 3/8	222 3/8	264 3/8	306 3/8	348 3/8	390 3/8
PXXXXXXX OR XXXXP	205 5/8	221 5/8	237 5/8	253 5/8	301 5/8	349 5/8	397 5/8	445 5/8
PXXXXXXX OR XXXXP	230 7/8	248 7/8	266 7/8	284 7/8	338 7/8	392 7/8	446 7/8	500 7/8
PXXXXXXX OR XXXXP	256 1/8	276 1/8	296 1/8	316 1/8	376 1/8	436 1/8	496 1/8	556 1/8
OX OR XO	23 15/16	25 15/16	27 15/16	29 15/16	35 15/16	41 15/16	47 15/16	53 15/16
OXX OR XXO	49 3/16	53 3/16	57 3/16	61 3/16	73 3/16	85 3/16	97 3/16	109 3/16
OXXX OR XXO	74 7/16	80 7/16	86 7/16	92 7/16	110 7/16	128 7/16	146 7/16	164 7/16
OXXXX OR XXO	99 11/16	107 11/16	115 11/16	123 11/16	147 11/16	171 11/16	195 11/16	219 11/16
OXXXXX OR XXO	124 15/16	134 15/16	144 15/16	154 15/16	184 15/16	214 15/16	244 15/16	274 15/16
OXXXXXX OR XXO	150 3/16	162 3/16	174 3/16	186 3/16	222 3/16	258 3/16	294 3/16	330 3/16
OXXXXXXX OR XXO	175 7/16	189 7/16	203 7/16	217 7/16	259 7/16	301 7/16	343 7/16	385 7/16
OXXXXXXX OR XXO	200 11/16	216 11/16	232 11/16	248 11/16	296 11/16	344 11/16	392 11/16	440 11/16
OXXXXXXX OR XXO	225 15/16	243 15/16	261 15/16	279 15/16	333 15/16	387 15/16	441 15/16	495 15/16
OX-XO	48 7/32	52 7/32	56 7/32	60 7/32	72 7/32	84 7/32	96 7/32	108 7/32
OXX-XO	98 23/32	106 23/32	114 23/32	122 23/32	146 23/32	170 23/32	194 23/32	218 23/32
OXXX-XO	149 7/32	161 7/32	173 7/32	185 7/32	221 7/32	257 7/32	293 7/32	329 7/32
OXXXX-XO	199 23/32	215 23/32	231 23/32	247 23/32	295 23/32	343 23/32	391 23/32	439 23/32
OXXXXX-XO	250 7/32	270 7/32	290 7/32	310 7/32	370 7/32	430 7/32	490 7/32	550 7/32
PX-XP	57 1/4	61 1/4	65 1/4	69 1/4	81 1/4	93 1/4	105 1/4	117 1/4
PXX-XP	107 3/4	115 3/4	123 3/4	131 3/4	155 3/4	179 3/4	203 3/4	227 3/4
PXXX-XP	158 1/4	170 1/4	182 1/4	194 1/4	230 1/4	266 1/4	302 1/4	338 1/4
PXXXX-XP	208 3/4	224 3/4	240 3/4	256 3/4	304 3/4	352 3/4	400 3/4	448 3/4
PXXXXX-XP	259 1/4	279 1/4	299 1/4	319 1/4	379 1/4	439 1/4	499 1/4	559 1/4

OPERATING CONFIGURATIONS

STACKED
UNI-DIRECTIONAL
CONFIGURATIONS

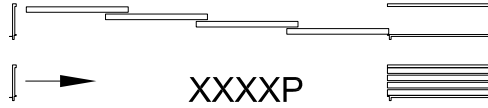


AVAILABLE IN 2, 3, 4, 5, 6, 7, 8, 9, 10
PANEL CONFIGURATIONS

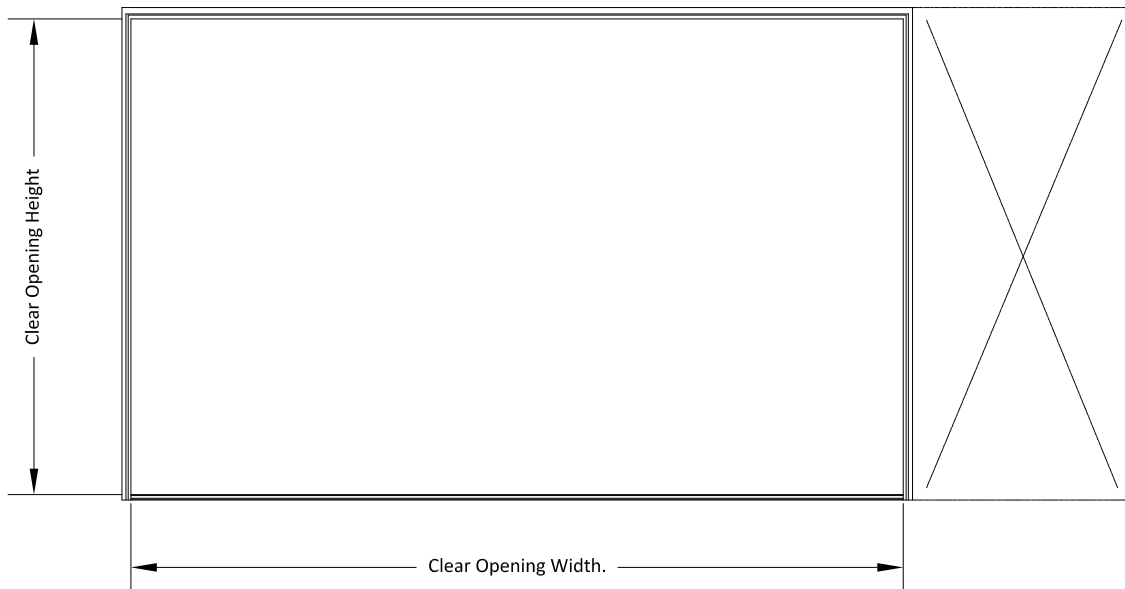
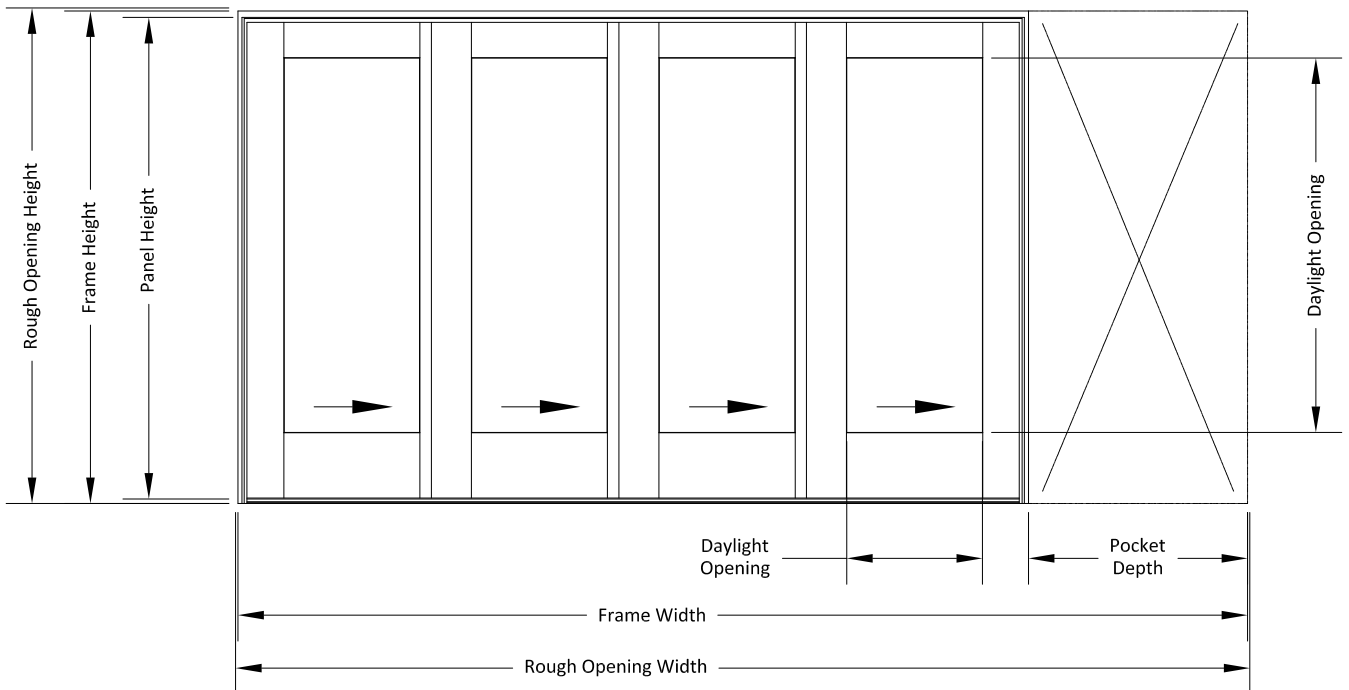


OPERATING CONFIGURATIONS
CONTINUED

POCKETED
UNI-DIRECTIONAL
CONFIGURATIONS

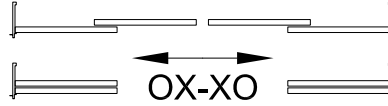


AVAILABLE IN 1, 2, 3, 4, 5, 6, 7, 8, 9, 10
PANEL CONFIGURATIONS

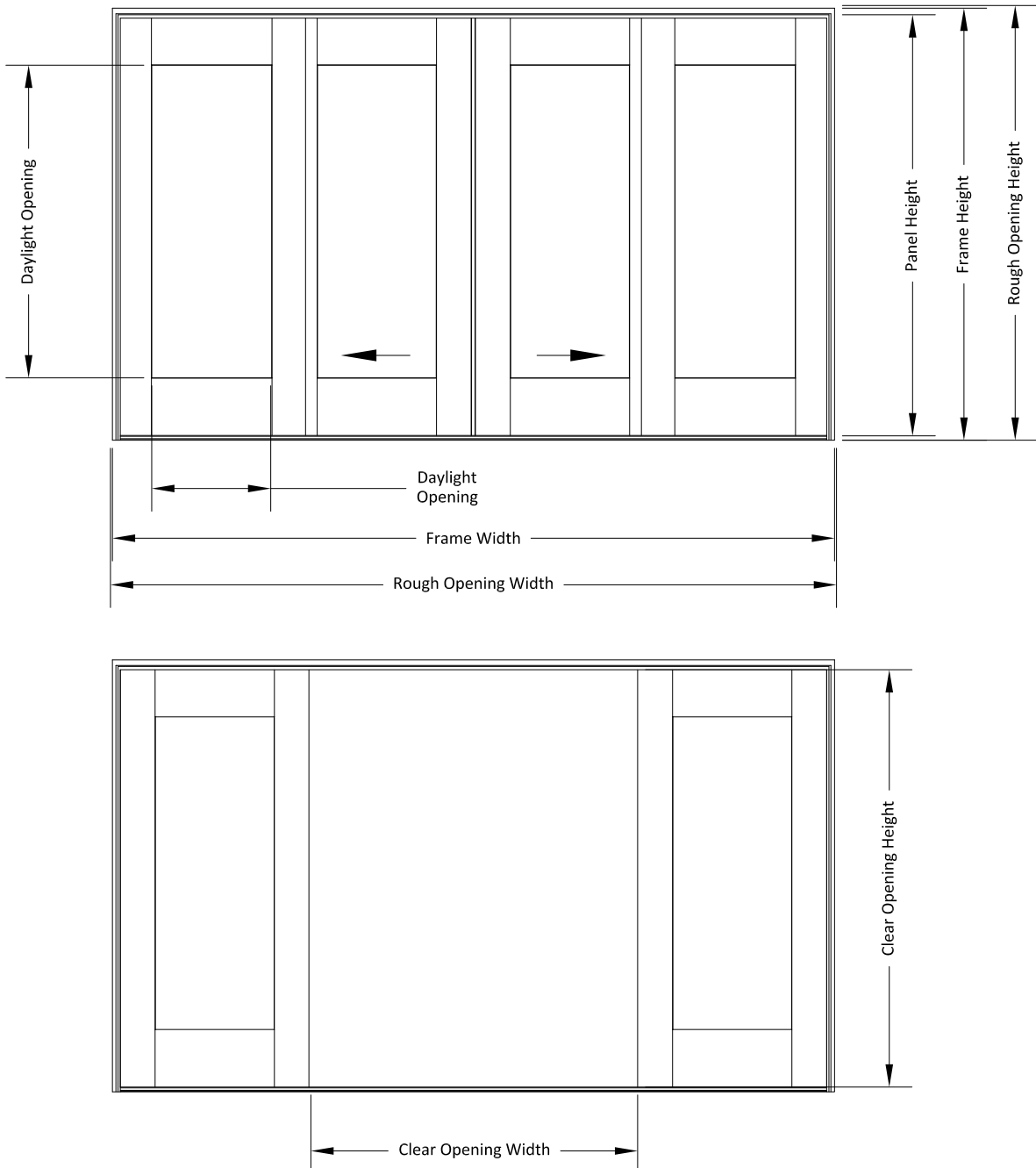


OPERATING CONFIGURATIONS
CONTINUED

**STACKED,
BI-DIRECTIONAL
CONFIGURATIONS**

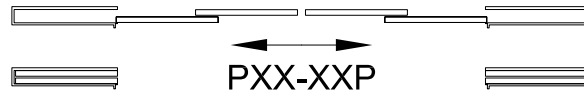


**AVAILABLE IN 4, 6, 8, 10
PANEL CONFIGURATIONS**

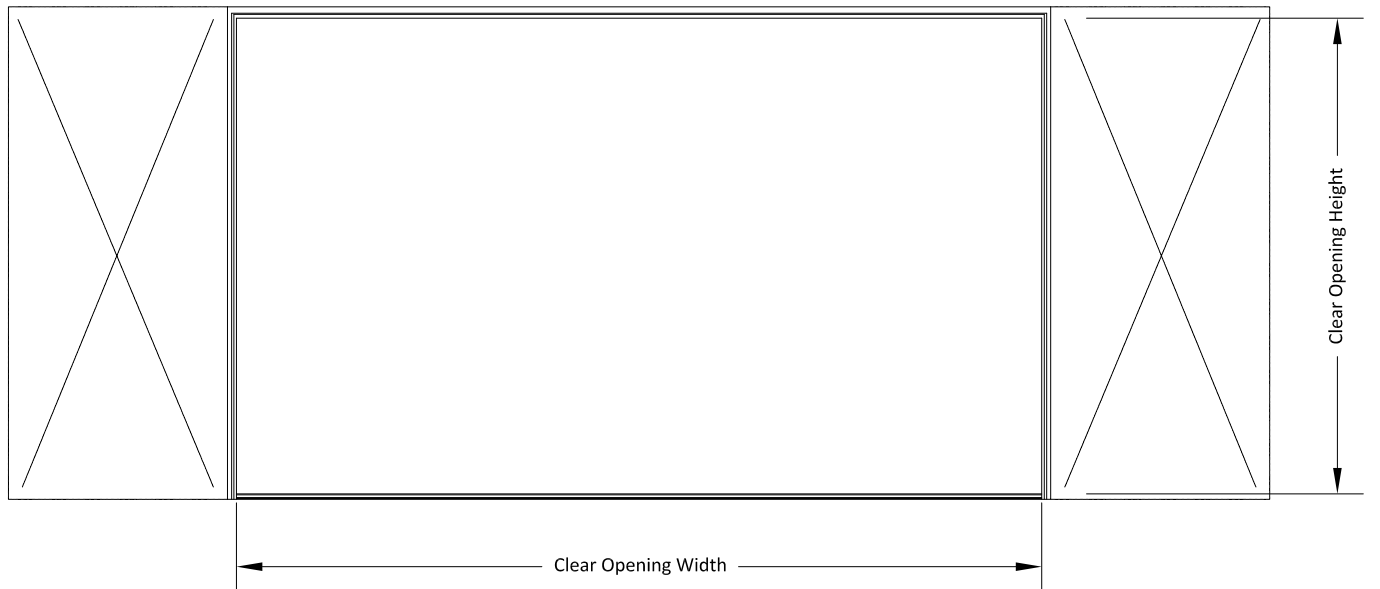
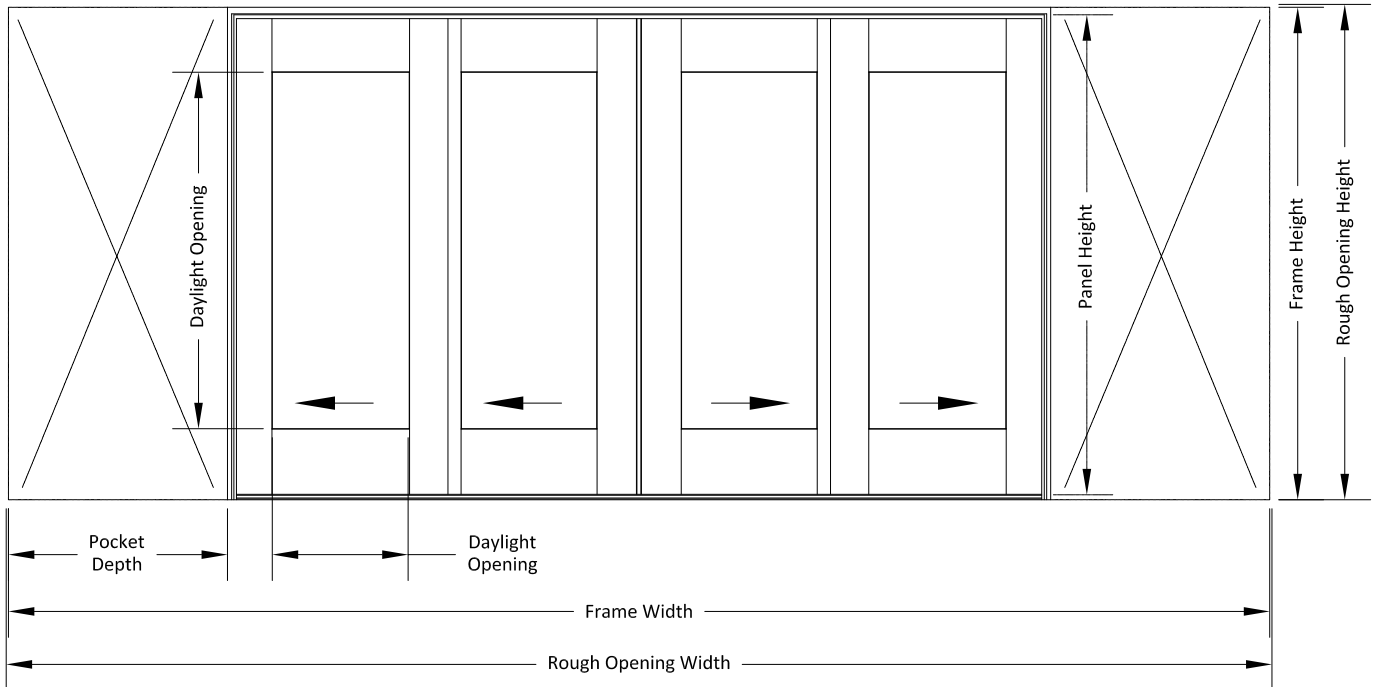


OPERATING CONFIGURATIONS
CONTINUED

POCKETED
BI-DIRECTIONAL
CONFIGURATIONS



AVAILABLE IN 2, 4, 6, 8, 10
PANEL CONFIGURATIONS

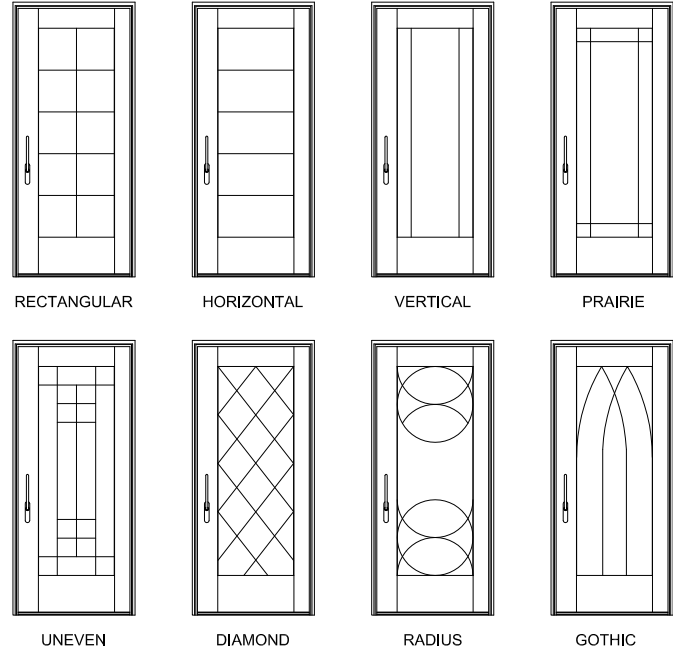


LITE CUT INFORMATION

Custom Clad Lift and Slide Patio Doors are available with removable grilles in 7/8", 1-1/8" and 1-3/8" widths, with grilles between the glass (GBG), or with Simulated Divided Lites. Standard lite cuts are rectangular, and conform to the layouts noted in the charts on the next page. To use the chart, refer to the appropriate table by the type of patio door and type of bars or grilles the section drawings illustrate. Then simply cross reference the frame height and width to determine the standard lite cut.

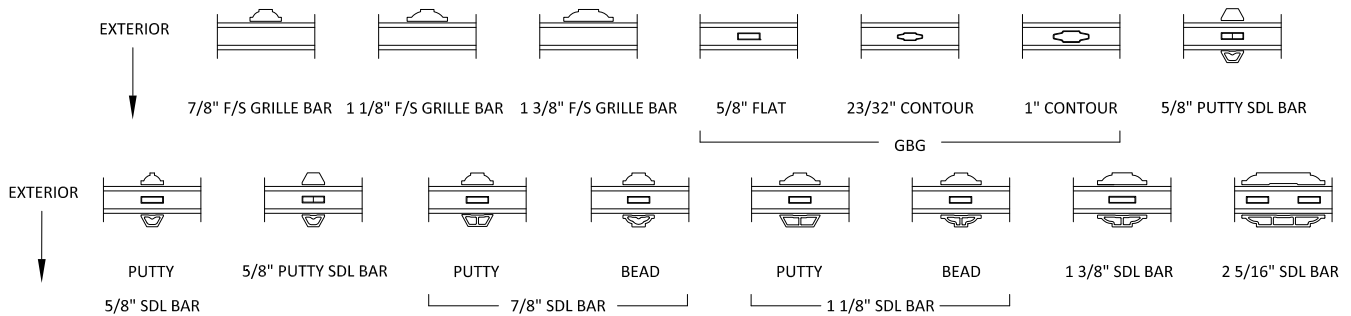
LITE CUT OPTIONS

Special lite cut patterns can include a wide variety of straight line and radius patterns. The illustrations shown here represent just a few of the possibilities. Rectangular, horizontal, vertical and Prairie lite patterns are available in all standard size clad swinging patio doors. Uneven, diamond, radius and Gothic lite cuts are available, subject to approval. Approvals are based on the ability to fulfill the design requirement while maintaining the construction integrity of the finished product.



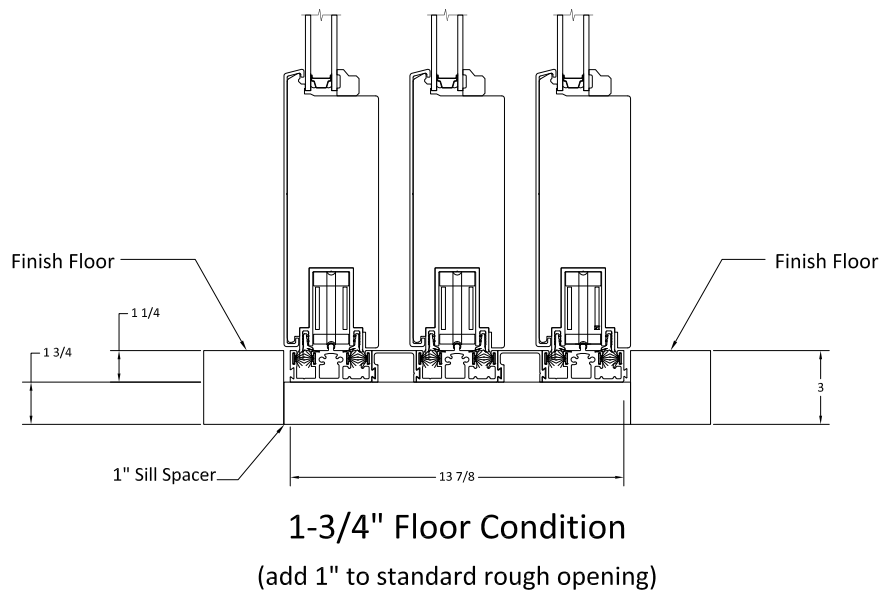
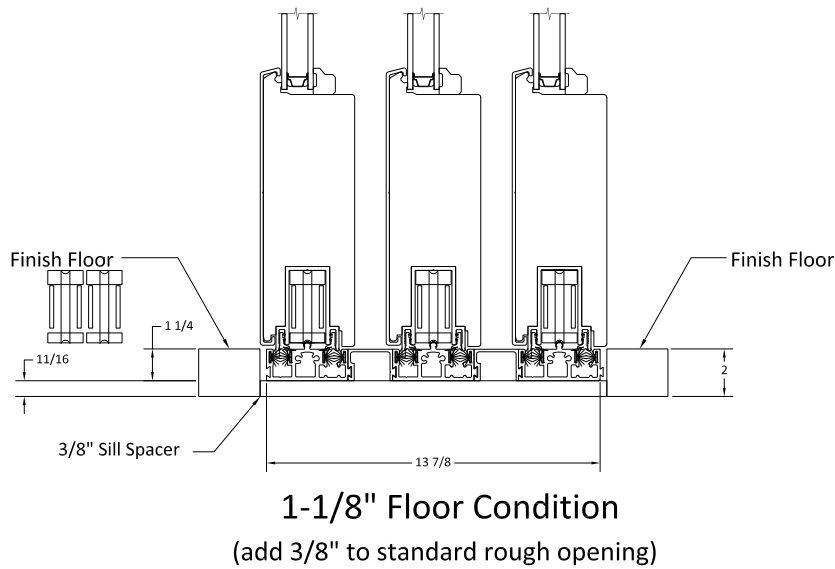
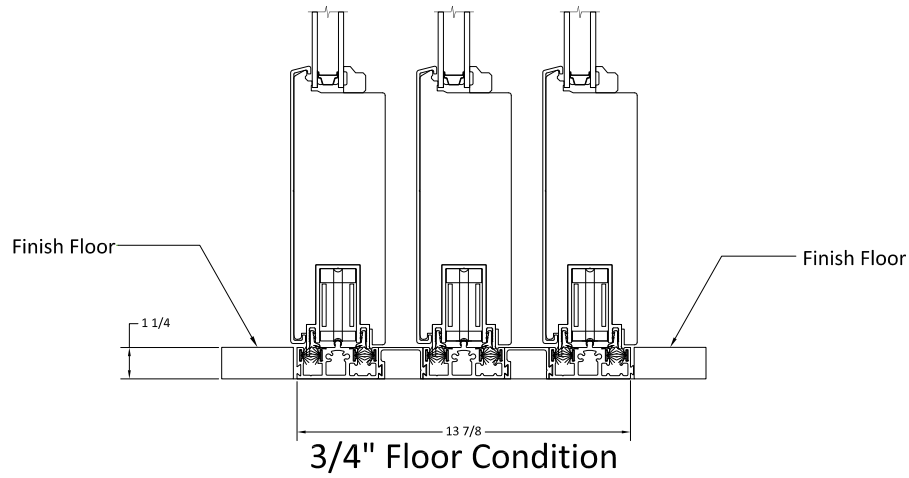
BAR ALIGNMENT

Alignment of divided lite muntin bars from one product to the next is often required by fine architectural design. Wood grilles, GBG's, and Simulated Divided Lites may be specified with muntin bars aligned.

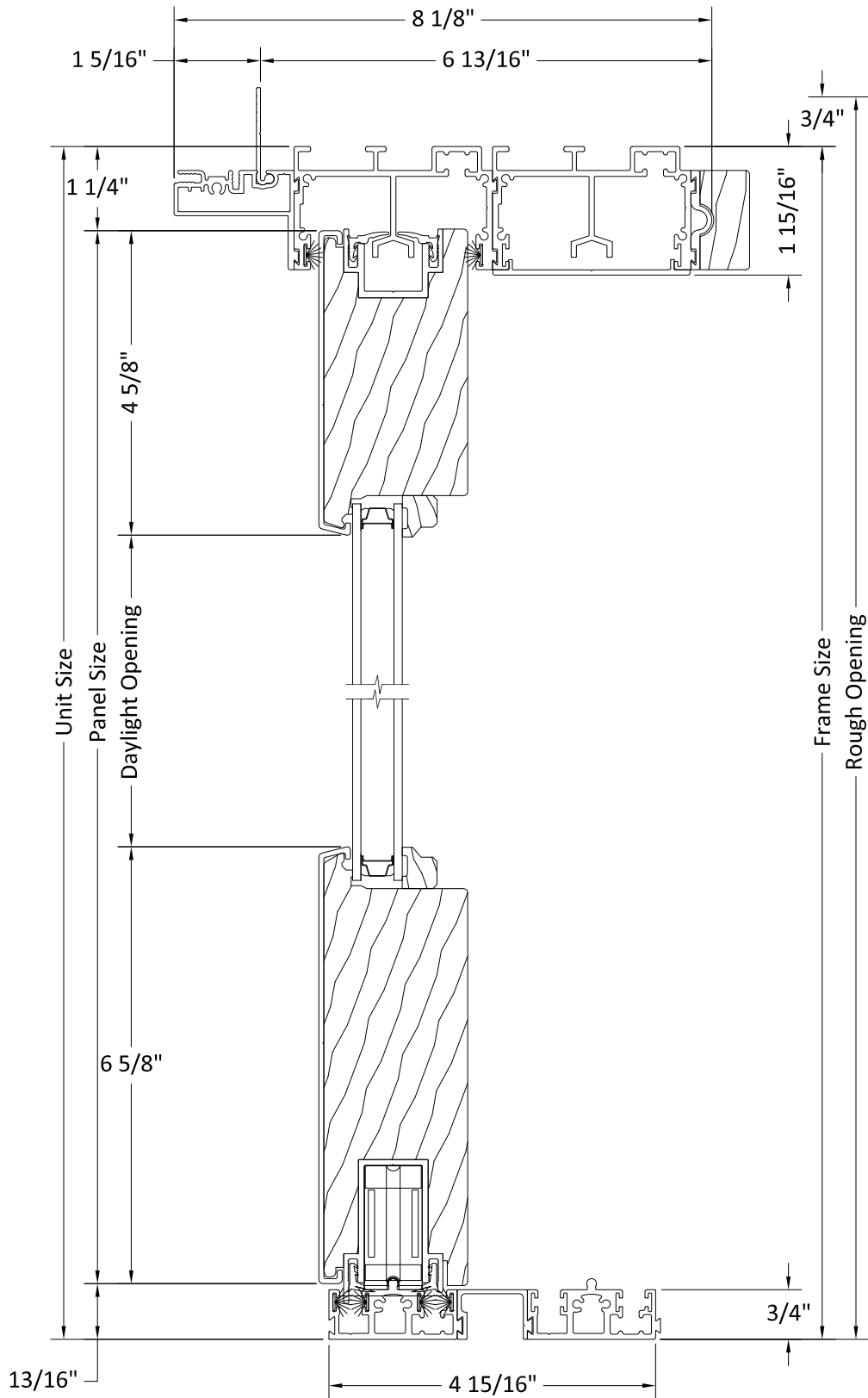


		Width Callout							
		1-0	1-2	1-4	2-0	2-6	2-8	3-0	3-6
Height Callout	6-8	1W 5H	1W 5H	1W 5H	2W 5H	2W 5H	2W 5H	2W 5H	3W 5H
	7-0	1W 5H	1W 5H	1W 5H	2W 5H	2W 5H	2W 5H	2W 5H	3W 5H
	8-0	1W 6H	1W 6H	1W 6H	2W 6H	2W 6H	2W 6H	2W 6H	3W 6H
	9-0	1W 7H	1W 7H	1W 7H	2W 7H	2W 7H	2W 7H	2W 7H	N/A

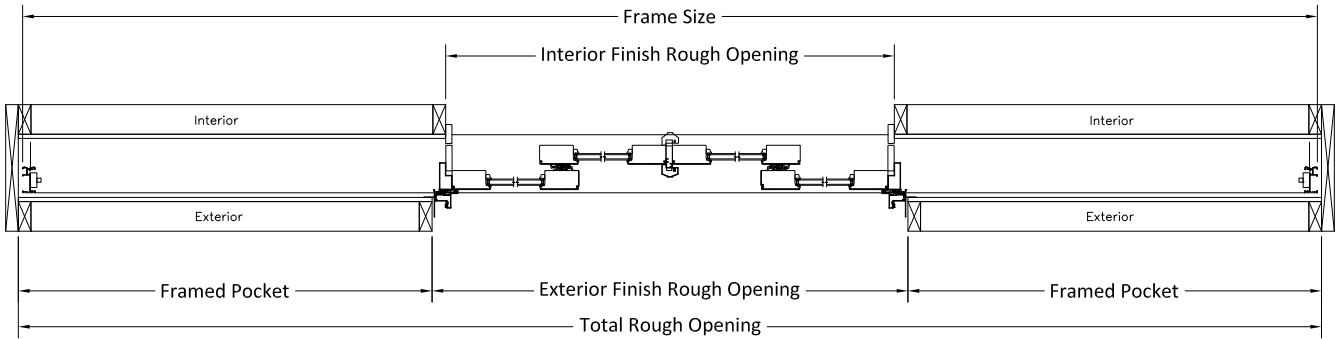
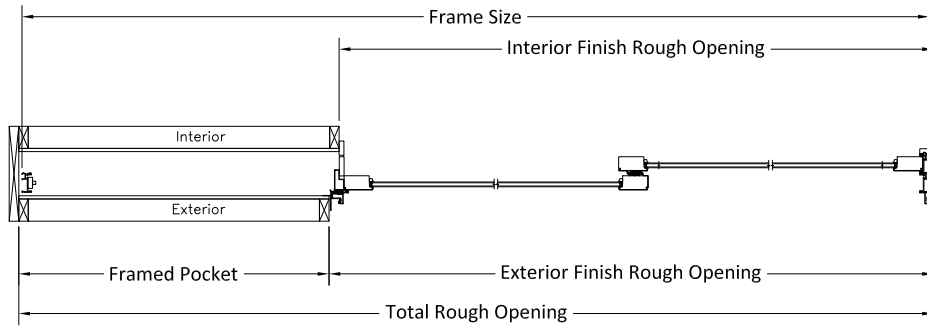
SILL OPTIONS



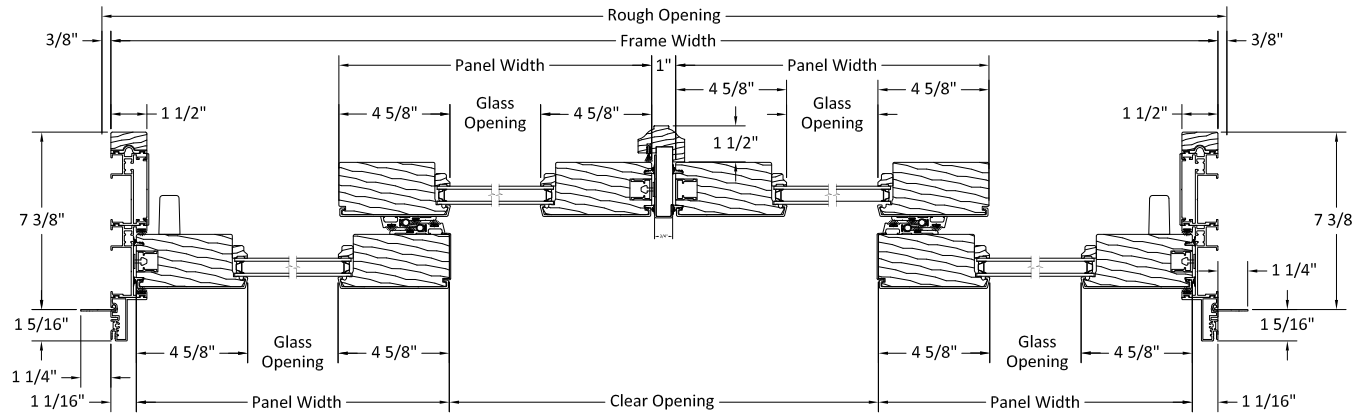
VERTICAL SECTION



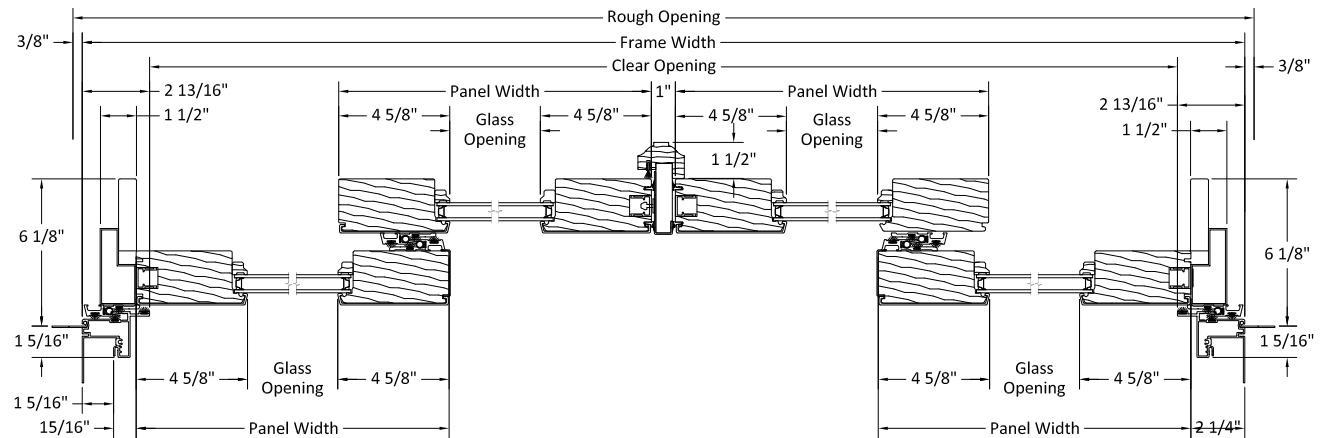
POCKET WALL HORIZONTAL SECTION



HORIZONTAL SECTION

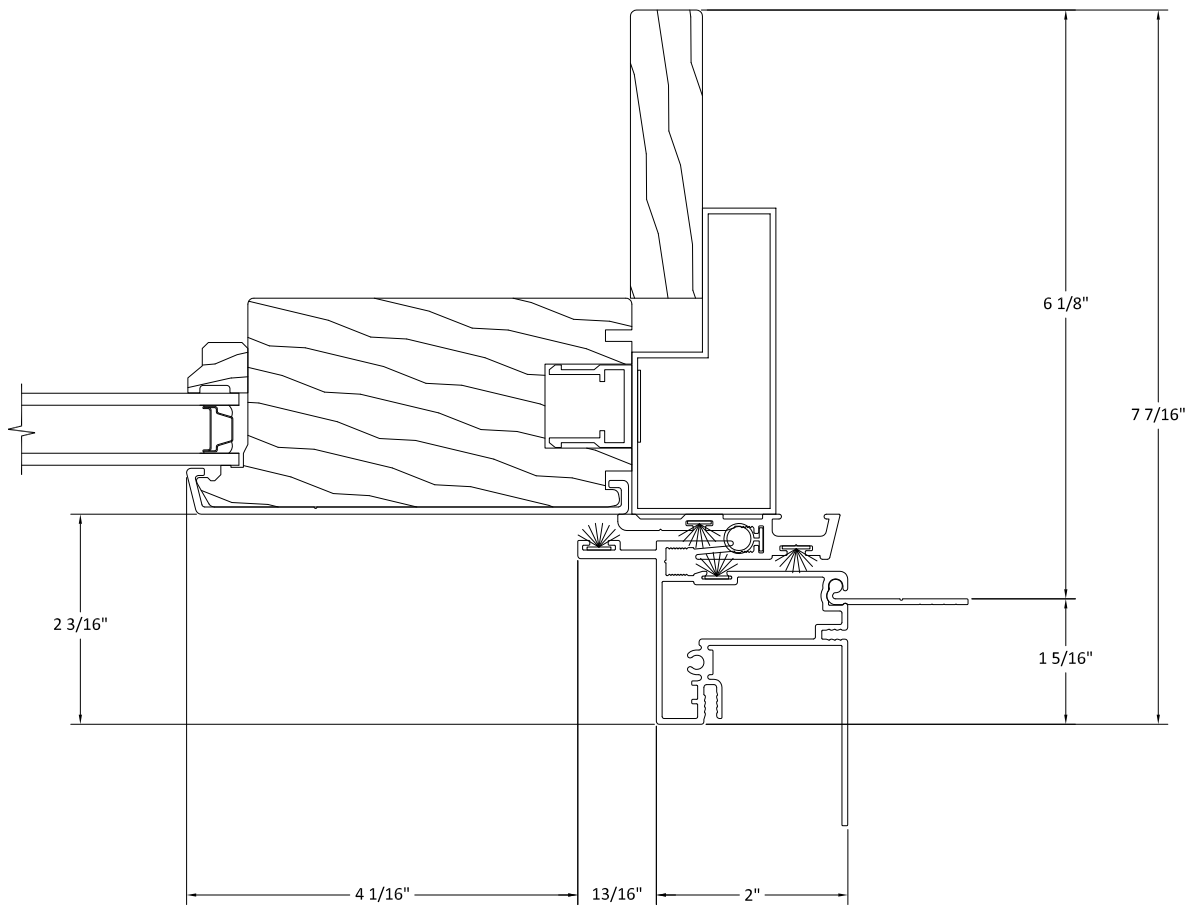


STACKED SECTION

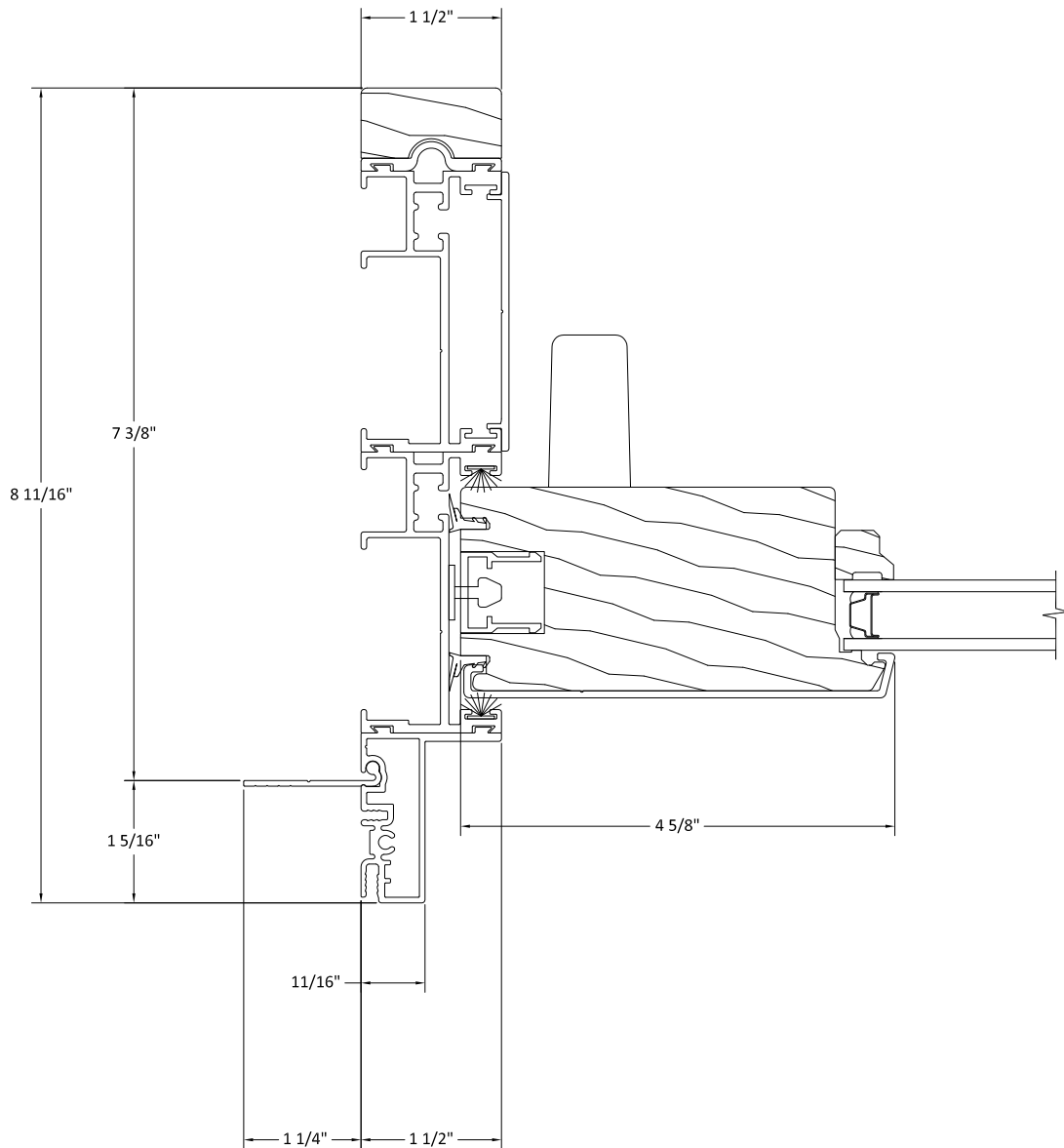


POCKETED SECTION

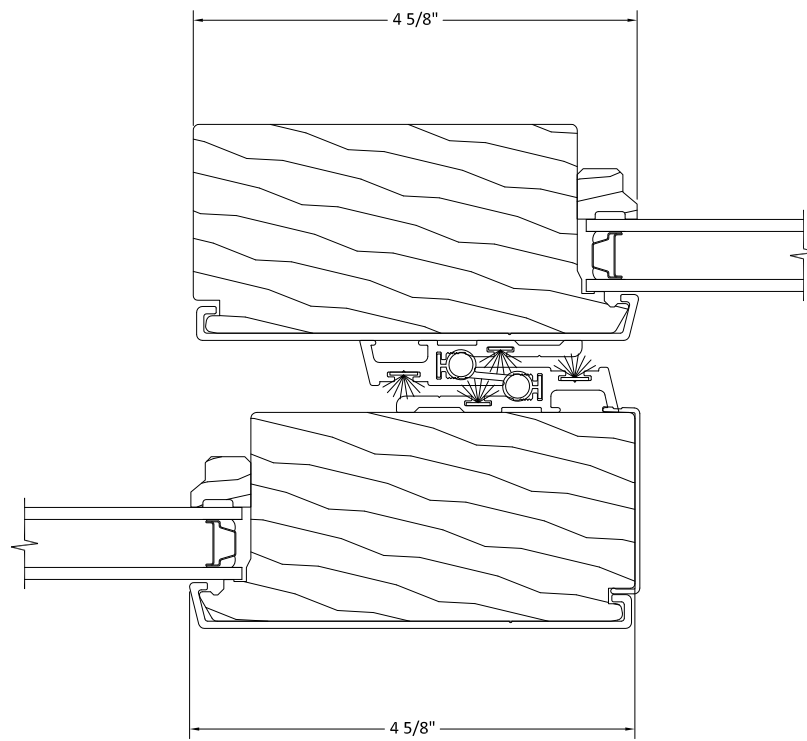
POCKET WALL HORIZONTAL SECTION



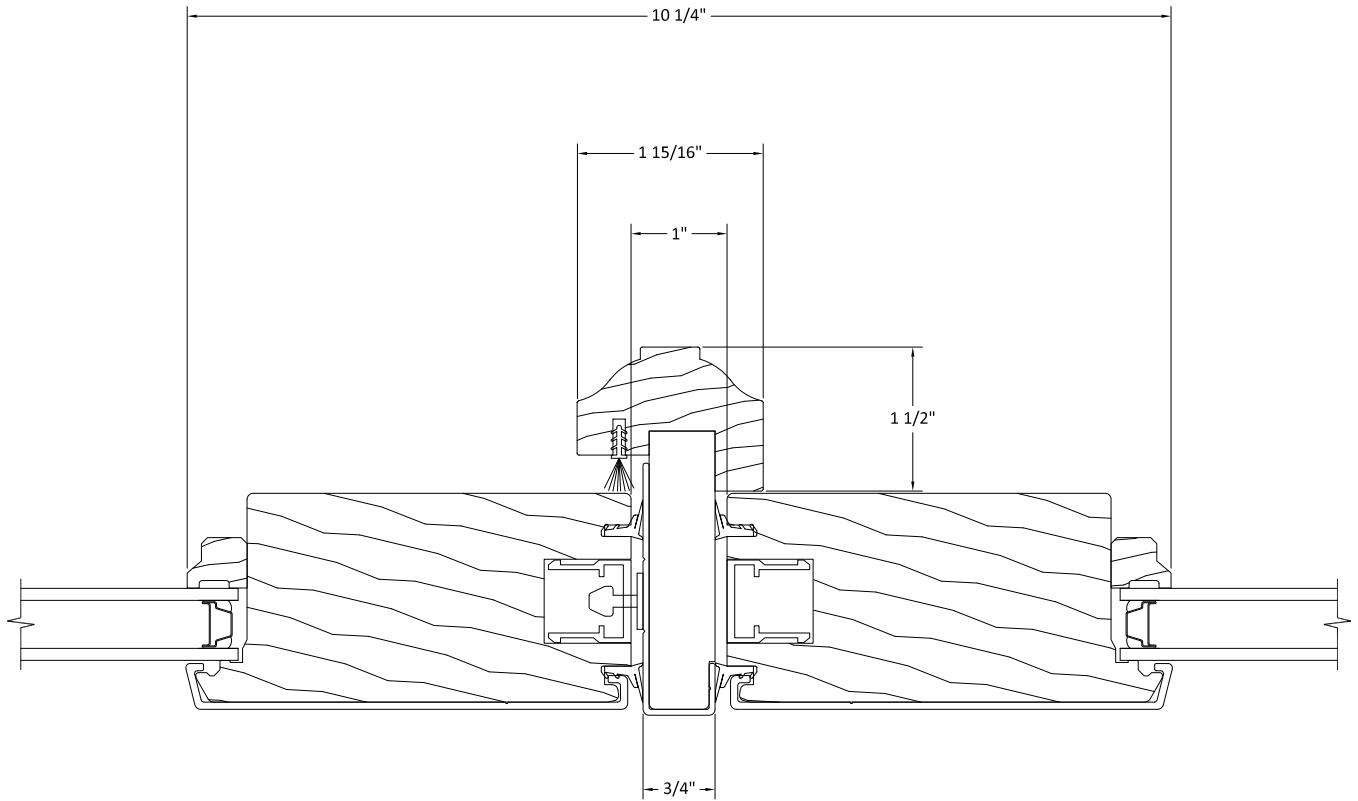
JAMB HORIZONTAL SECTION



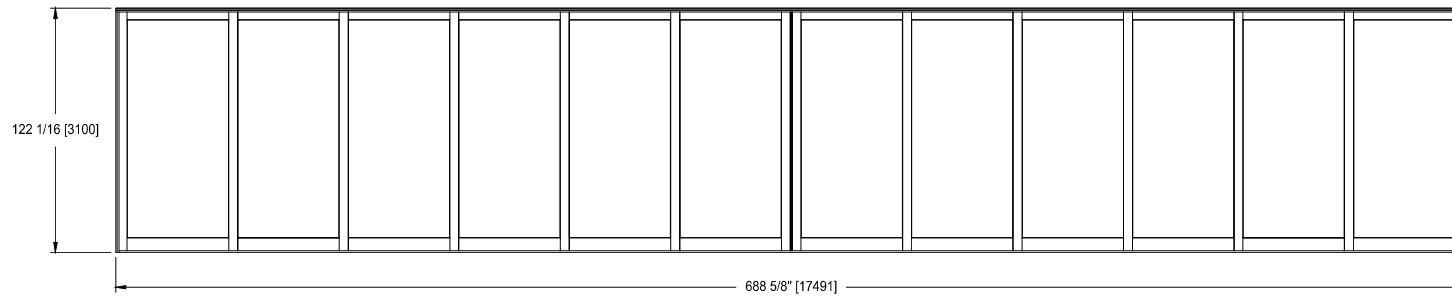
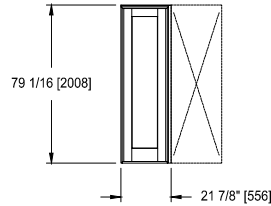
INTERLOCK HORIZONTAL SECTION



ASTRAGAL HORIZONTAL SECTION



MIN. & MAX. SIZING



Available standard panel widths for the Custom Clad Lift & Slide Patio Door:

Standard Panel Sizing Matrix	
PANEL WIDTH	PANEL HEIGHT
Dim. - A	Dim. - B
29.875	77
31.875	80
33.875	84
35 7/8	93
41 7/8	96
47 7/8	105
53 7/8	108
59 7/8	117
	120

Panel Heights and Corresponding Heights				
Panel Height (in)	Frame Height (in)	RO Height (in)	DO Height (in)	CO Height (in)
77	79 1/16	79 9/16	65 23/32	76 17/64
80	82 1/16	82 9/16	68 23/32	79 17/64
84	86 1/16	86 9/16	72 23/32	83 17/64
93	95 1/16	95 9/16	81 23/32	92 17/64
96	98 1/16	98 9/16	84 23/32	95 17/64
105	107 1/16	107 9/16	93 23/32	104 17/64
108	110 1/16	110 9/16	96 23/32	107 17/64
117	119 1/16	119 9/16	105 23/32	116 17/64
120	122 1/16	122 9/16	108 23/32	119 17/64

RO: Rough Opening
DO: Daylight Opening (DIM-D) [Total DO = (DO Height X DO Width) X #Panels]
CO: Clear Opening

The minimum size operator is: PX or XP with a 21 7/8" x 77" panel.
The maximum size operator is: OXXXX-XXXXX0 with (12) panels 59 7/8" x 120" each.