
Table of Contents

General Information 23-2

Elevation Notes 23-3

Grille & SDL Patterns 23-4

Standard Lite Cut Tables 23-5

Clear Opening Design Tables 23-6

Clear Opening Layout 23-9

Unit Sizing, Rough Openings & Masonry Openings 23-11

Trim Options 23-12

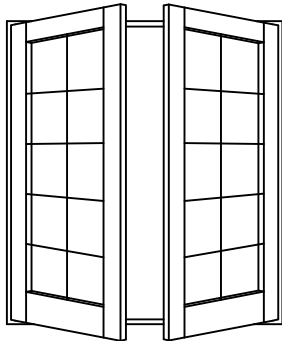
Rail, Panel & Sill Options 23-13

Mullion Details 23-17

Section Details 23-18

Min & Max Sizing 23-29

GENERAL INFORMATION



INACTIVE LEFT

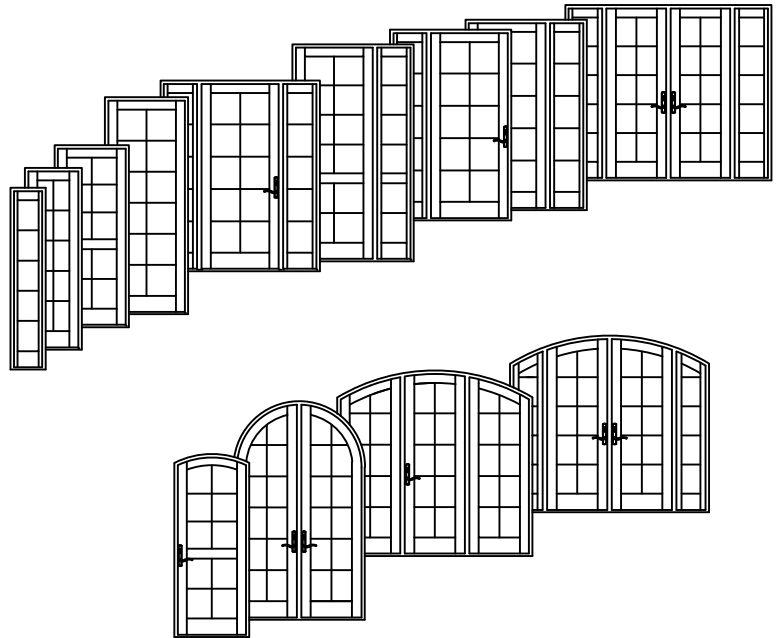
DIMENSIONAL DOORS

Custom Clad Out-Swing (2-1/4") patio doors may be specified as "dimensional", by adjusting the desired rough opening width or height in 1/16" increments from standard.

Custom Clad Out-Swing (2-1/4") patio doors are available in single, twin, triple and quad panel doors. Transoms are available to match the variety of door sizes. The standard size range includes sizes specifically designed for replacement of older patio door models in existing structures, as well as a full range of "true size" products for architectural consistency.

OPERATION

Custom Clad Out-Swing (2-1/4") patio doors are available in a full range of operating styles. Single panel doors may be specified as stationary (non-venting) or can operate left or right. Center swing two-or three-panel doors are available with left or right operation. French doors feature two operating panels (one active, which opens first; and one inactive, which closes first), and are available in two-panel and four panel styles. Configuration and handing is based on viewing the door from the exterior.



MULTIPLE ASSEMBLIES

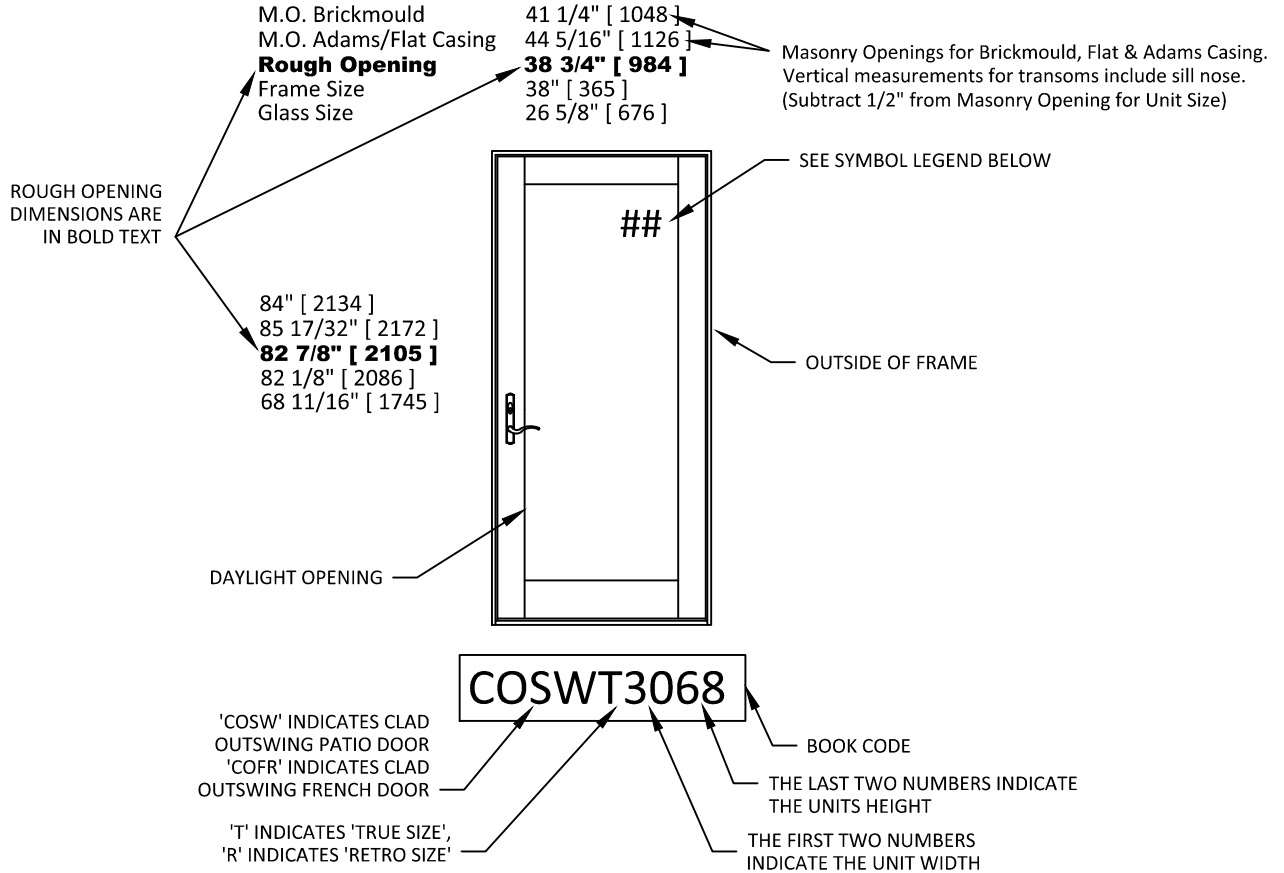
Custom Clad Out-Swing (2-1/4") patio doors are available in a wide variety of multiple panel configurations from the factory, all of which are assembled with continuous sills. Clad out swing patio doors may be mullied below, or beside other clad door and clad window products. Factory assembled mulls are limited in height (100"), width (150").



CUSTOM CLAD PATIO DOOR
CUSTOM OUT-SWING PATIO DOOR (2-1/4")

ELEVATION NOTES

ELEVATION DRAWINGS UTILIZE A LIMITED NUMBER OF PROJECTED LINES TO PRODUCE A RUDIMENTARY DRAWING INTENDED TO BE USED IN A SMALL GRAPHICAL SCALE. ELEVATIONS ARE VIEWED PERPENDICULAR FROM THE EXTERIOR OF THE STRUCTURE. IF MORE DIMENSIONS ARE NEEDED, USE THE SECTION DRAWINGS FOR MORE COMPLETE DEPICTIONS.



GENERAL SWINGING DOOR NOTES

1. CLAD OUTSWING PATIO DOOR (COSW / COFR) UNITS ARE AVAILABLE AS OPERATING OR FIXED UNITS.
2. UNIT ELEVATIONS ARE SHOWN WITHOUT EXTERIOR TRIM. UNIT SIZES & MASONRY OPENING DIMENSIONS WILL CHANGE WITH THE ADDITION OF EXTERIOR TRIM. SEE THE 'UNIT SIZING, ROUGH OPENINGS & MASONRY OPENINGS' PAGE FOR EXTERIOR TRIM EFFECTS.
3. OPERATING UNITS ARE AVAILABLE AS LEFT OR RIGHT HAND OPERATION.
4. HANDICAP SILL, 11" BOTTOM RAILS, INTERMEDIATE LOCK RAILS AND RAISED PANELS ARE AVAILABLE FOR ALL UNITS.

ELEVATION SYMBOL LEGEND

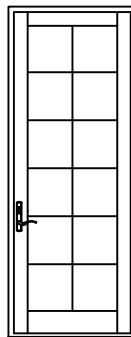
- (F) PANEL IS AVAILABLE AS FIXED ONLY.
- ## NUMBER INDICATES DESIGN PRESSURE (DP) RATING WITH STANDARD GLAZING. OPERATING UNITS UTILIZE MULTI-POINT LOCKING HARDWARE FOR DP RATINGS.

GRILLE & SDL INFORMATION

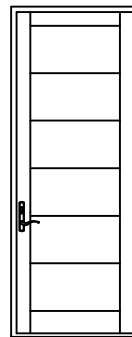
Custom Clad Out-Swing (2-1/4") patio doors are available with removable grilles in 5/8", 7/8", 1-1/8" and 1-3/8" widths, with grilles between the glass (GBG), or with Simulated Divided Lites. Standard lite cuts are rectangular, and conform to the layouts noted in the charts on the next page. To use the chart, refer to the appropriate table by the type of patio door and type of bars or grilles the section drawings illustrate. Then simply cross reference the frame height and width to determine the standard lite cut.

LITE CUT OPTIONS

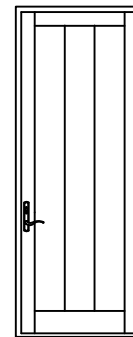
Special lite cut patterns can include a wide variety of straight line and radius patterns. The illustrations shown here represent just a few of the possibilities. Rectangular, horizontal, vertical and Prairie lite patterns are available in all standard size clad swinging patio doors. Uneven, diamond, radius and Gothic lite cuts are available, subject to approval. Approvals are based on the ability to fulfill the design requirement while maintaining the construction integrity of the finished product.



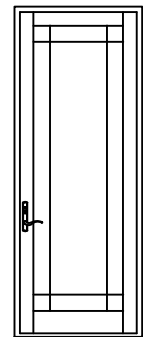
RECTANGULAR



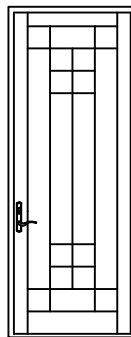
HORIZONTAL



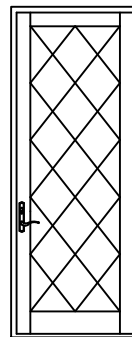
VERTICAL



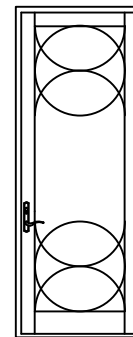
PRAIRIE



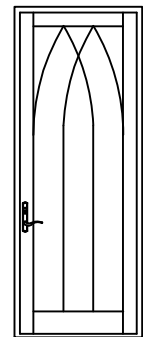
UNEVEN



DIAMOND



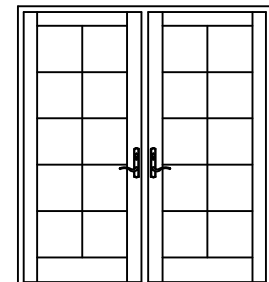
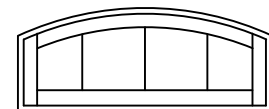
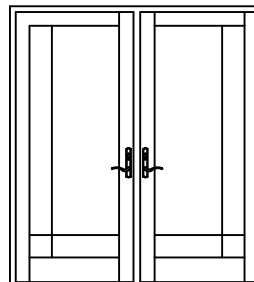
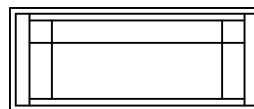
RADIUS



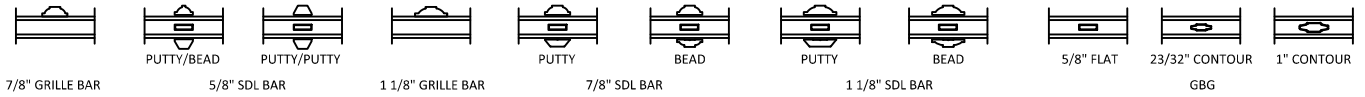
GOthic

BAR ALIGNMENT

Alignment of divided lite muntin bars from one product to the next is often required by fine architectural design. Wood grilles, GBG's, and Simulated Divided Lites may be specified with muntin bars aligned.



STANDARD LITE CUT TABLES

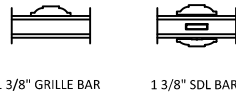


RETRO SIZES

COSWR		Width Callout						
		1-0	1-2	1-4	2-0	2-6	2-8	3-0
Height Callout	6-8	N/A	N/A	N/A	2W 5H	2W 5H	2W 5H	2W 5H
	8-0	N/A	N/A	N/A	2W 6H	2W 6H	2W 6H	2W 6H
	9-0	N/A	N/A	N/A	2W 7H	2W 7H	2W 7H	2W 7H
	10-0	N/A	N/A	N/A	2W 8H	2W 8H	2W 8H	2W 8H

TRUE SIZES

COSWT		Width Callout							
		1-0	1-2	1-4	2-0	2-6	2-8	3-0	3-6
Height Callout	6-8	1W 5H	1W 5H	1W 5H	2W 5H	2W 5H	2W 5H	2W 5H	3W 5H
	7-0	1W 5H	1W 5H	1W 5H	2W 5H	2W 5H	2W 5H	2W 5H	3W 5H
	8-0	1W 6H	1W 6H	1W 6H	2W 6H	2W 6H	2W 6H	2W 6H	3W 6H
	9-0	1W 7H	1W 7H	1W 7H	2W 7H	2W 7H	2W 7H	2W 7H	N/A
	10-0	1W 8H	1W 8H	1W 8H	2W 8H	2W 8H	2W 8H	2W 8H	N/A



RETRO SIZES

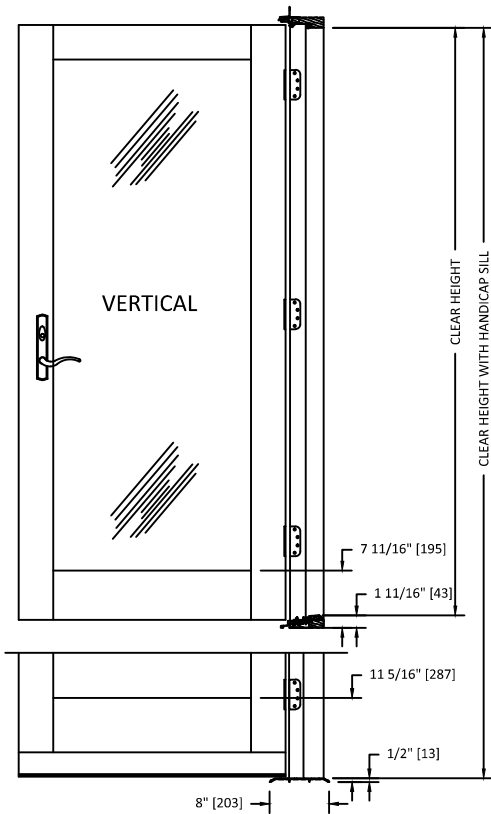
COSWR		Width Callout						
		1-0	1-2	1-4	2-0	2-6	2-8	3-0
Height Callout	6-8	N/A	N/A	N/A	2W 5H	2W 5H	2W 5H	2W 5H
	8-0	N/A	N/A	N/A	2W 6H	2W 6H	2W 6H	2W 6H
	9-0	N/A	N/A	N/A	2W 7H	2W 7H	2W 7H	2W 7H
	10-0	N/A	N/A	N/A	2W 8H	2W 8H	2W 8H	2W 8H

TRUE SIZES

COSWT		Width Callout							
		1-0	1-2	1-4	2-0	2-6	2-8	3-0	3-6
Height Callout	6-8	1W 5H	1W 5H	1W 5H	2W 5H	2W 5H	2W 5H	2W 5H	3W 5H
	7-0	1W 5H	1W 5H	1W 5H	2W 5H	2W 5H	2W 5H	2W 5H	3W 5H
	8-0	1W 6H	1W 6H	1W 6H	2W 6H	2W 6H	2W 6H	2W 6H	3W 6H
	9-0	1W 7H	1W 7H	1W 7H	2W 7H	2W 7H	2W 7H	2W 7H	N/A
	10-0	1W 8H	1W 8H	1W 8H	2W 8H	2W 8H	2W 8H	2W 8H	N/A

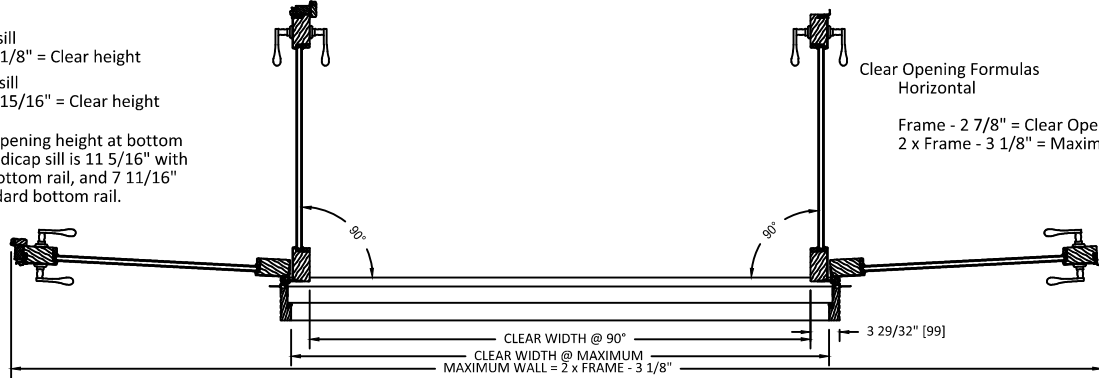
CUSTOM CLAD PATIO DOOR
CUSTOM OUT-SWING PATIO DOOR (2-1/4")

CLEAR OPENING LAYOUT

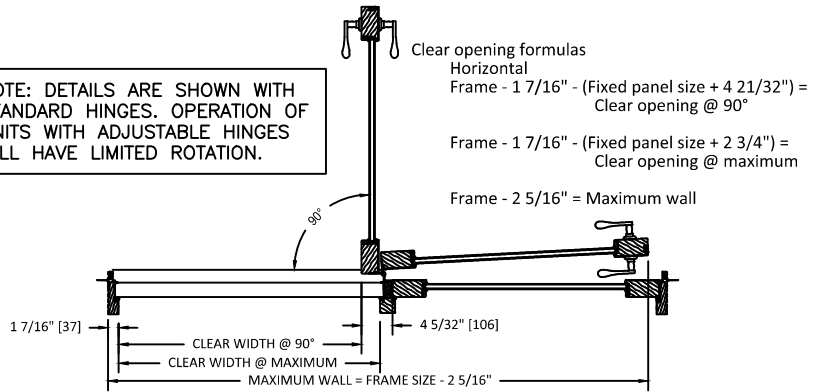


Vertical
Standard sill
Frame - 3 1/8" = Clear height
Handicap sill
Frame - 1 15/16" = Clear height

Daylight opening height at bottom rail to handicap sill is 11 5/16" with 10-1/4" bottom rail, and 7 11/16" with standard bottom rail.

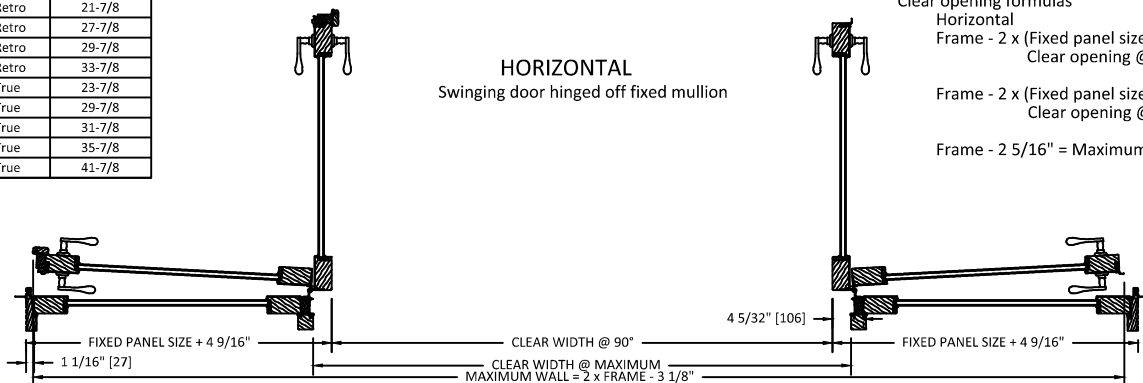


NOTE: DETAILS ARE SHOWN WITH STANDARD HINGES. OPERATION OF UNITS WITH ADJUSTABLE HINGES WILL HAVE LIMITED ROTATION.

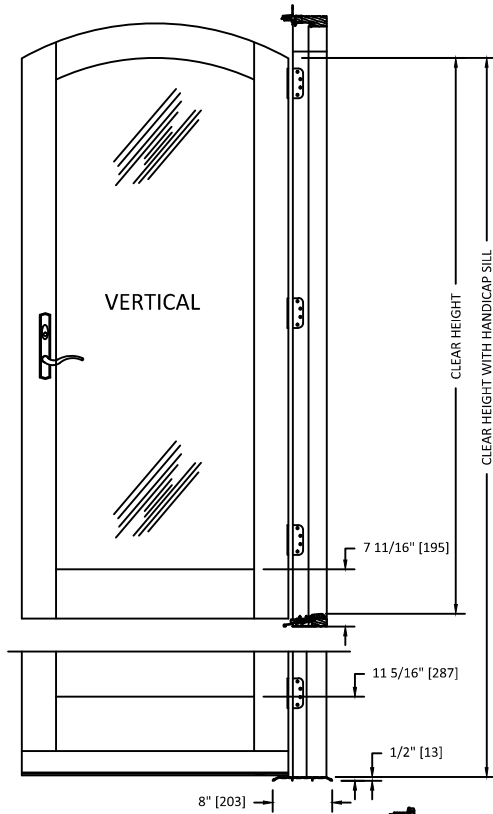


Clear Opening Formulas
Horizontal
Frame - 2 7/8" = Clear Opening @ Maximum
2 x Frame - 3 1/8" = Maximum Wall

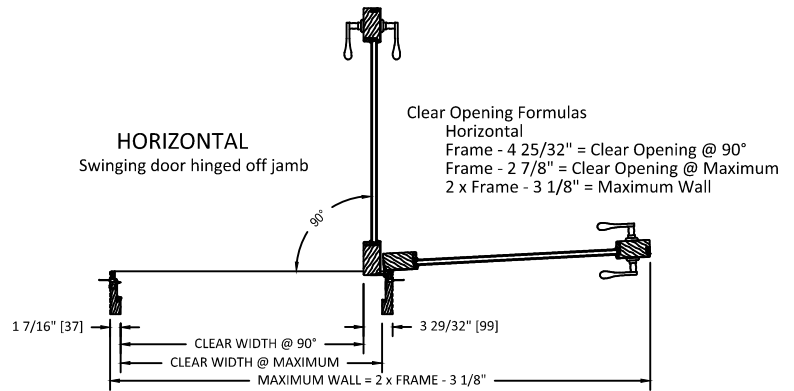
Panel Callout	Panel Width
2-0 Retro	21-7/8
2-6 Retro	27-7/8
2-8 Retro	29-7/8
3-0 Retro	33-7/8
2-0 True	23-7/8
2-6 True	29-7/8
2-8 True	31-7/8
3-0 True	35-7/8
3-6 True	41-7/8



RADIUS CLEAR OPENING LAYOUT

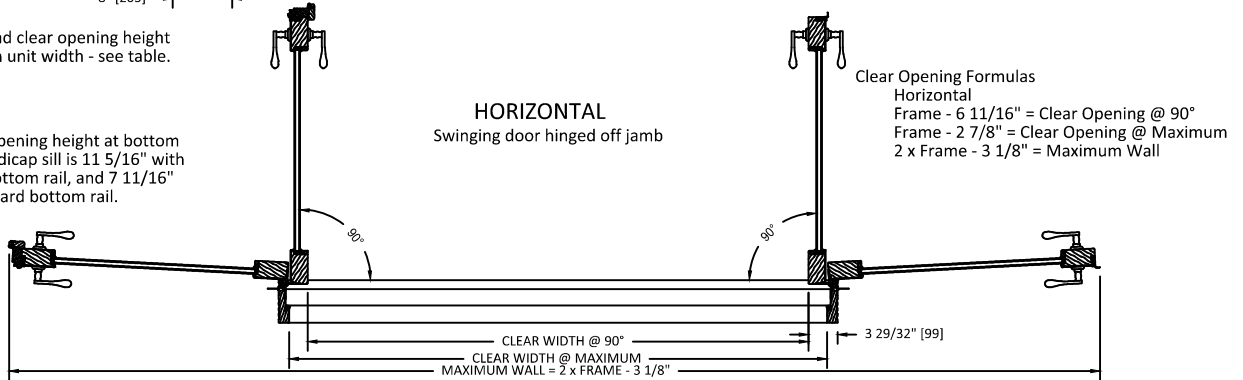


NOTE: DETAILS ARE SHOWN WITH STANDARD HINGES. OPERATION OF UNITS WITH ADJUSTABLE HINGES WILL HAVE LIMITED ROTATION.

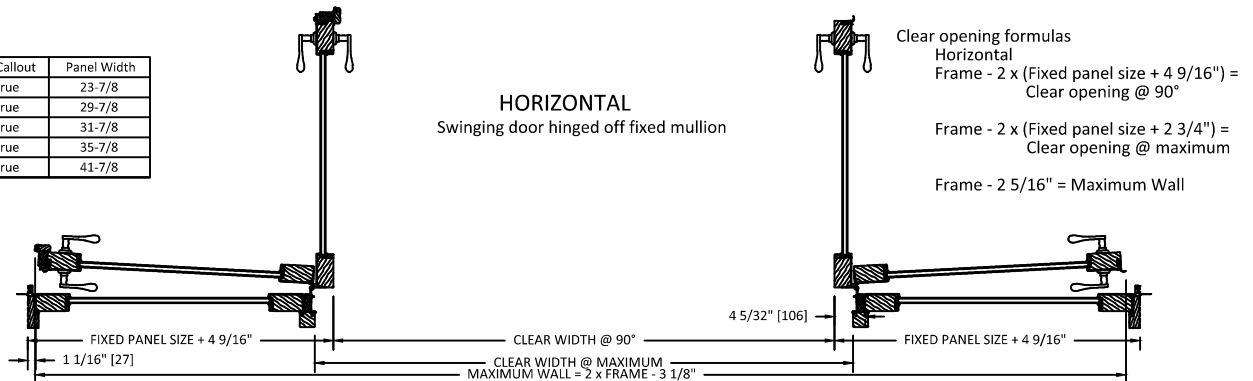


Vertical
Radius head clear opening height varies with unit width - see table.

Daylight opening height at bottom rail to handicap sill is 11 5/16" with 10-1/4" bottom rail, and 7 11/16" with standard bottom rail.



Panel Callout	Panel Width
2-0 True	23-7/8
2-6 True	29-7/8
2-8 True	31-7/8
3-0 True	35-7/8
3-6 True	41-7/8

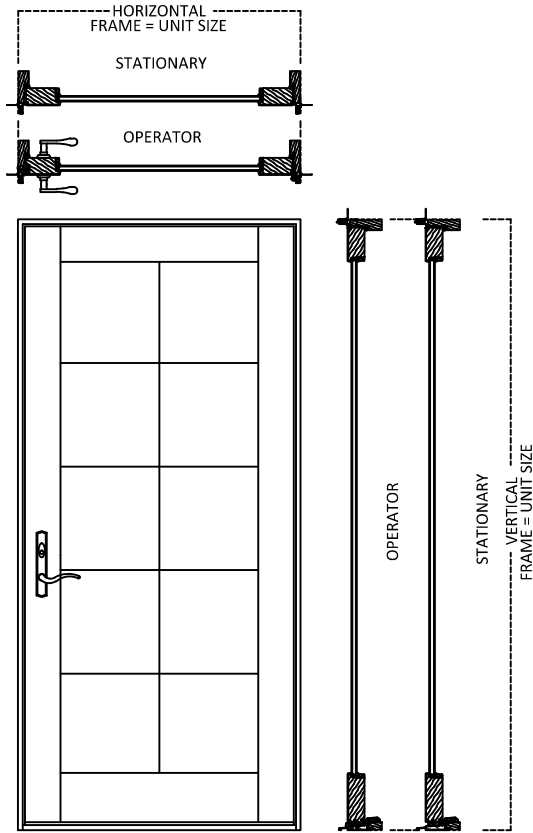


CUSTOM CLAD PATIO DOOR
CUSTOM OUT-SWING PATIO DOOR (2-1/4")

UNIT SIZING, ROUGH OPENINGS & MASONRY OPENINGS

STANDARD OFFERING

DRIP CAP & NAILING FLANGE



GENERAL NOTES:

UNITS WITH NO EXTERIOR TRIM OR DRIP CAP & NAILING FLANGE: FRAME SIZE = UNIT SIZE

UNIT SIZE IS ALWAYS THE EXTREME SIZE OF THE DOOR WITH OR WITHOUT TRIM (DRIP CAP & NAILING FLANGE ARE NOT ADDED TO ANY UNIT SIZING)

ROUGH OPENING IS ALWAYS 3/4" OVER FRAME SIZE OF THE DOOR

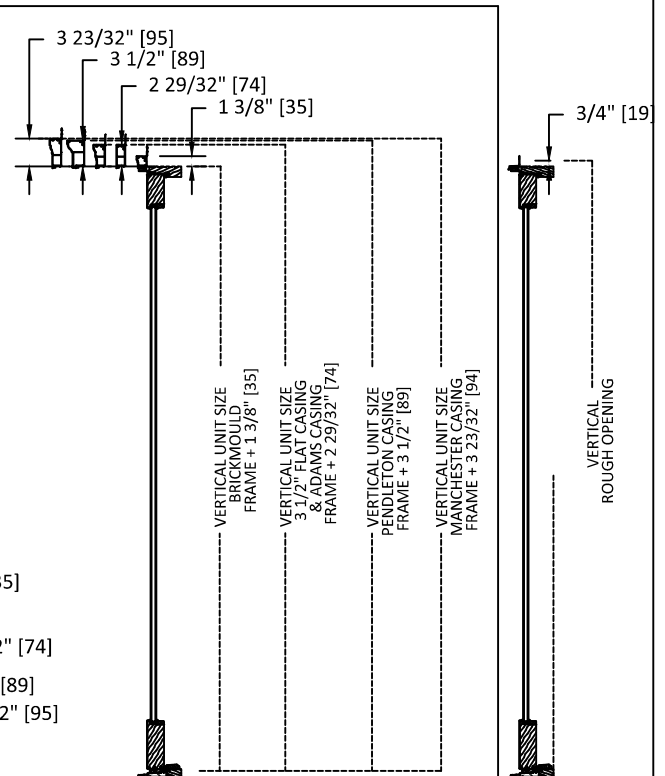
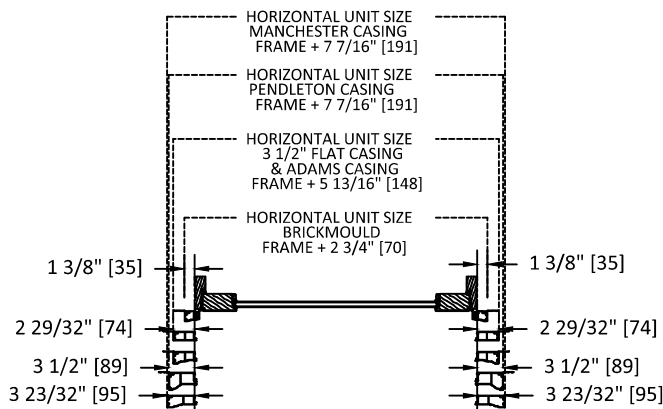
MASONRY OPENING IS ALWAYS 1/2"

ROUGH OPENING:

DRIP CAP & NAILING FLANGE

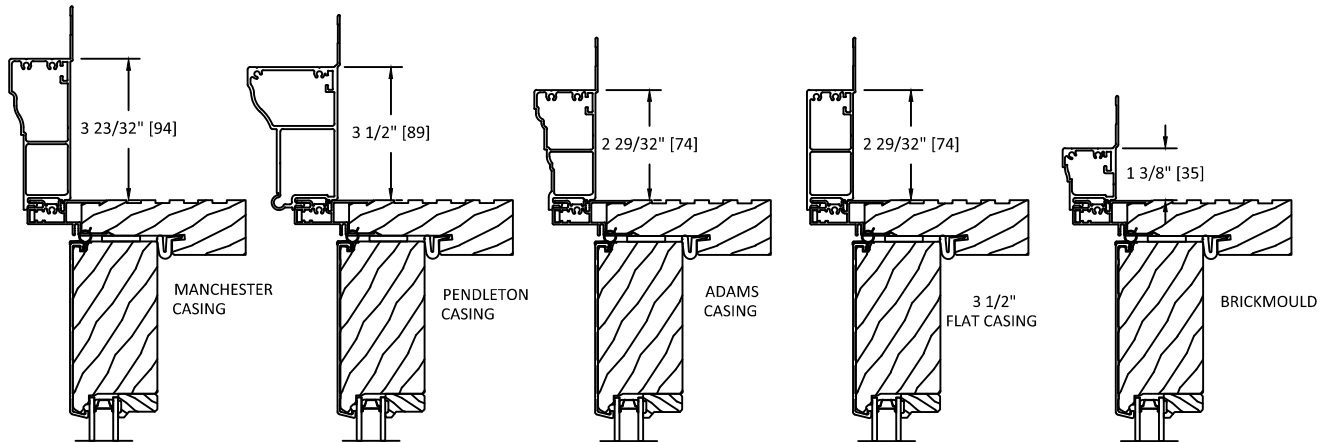


UNIT SIZE: FRAME TO EXTERIOR TRIM (UNIT) SIZE



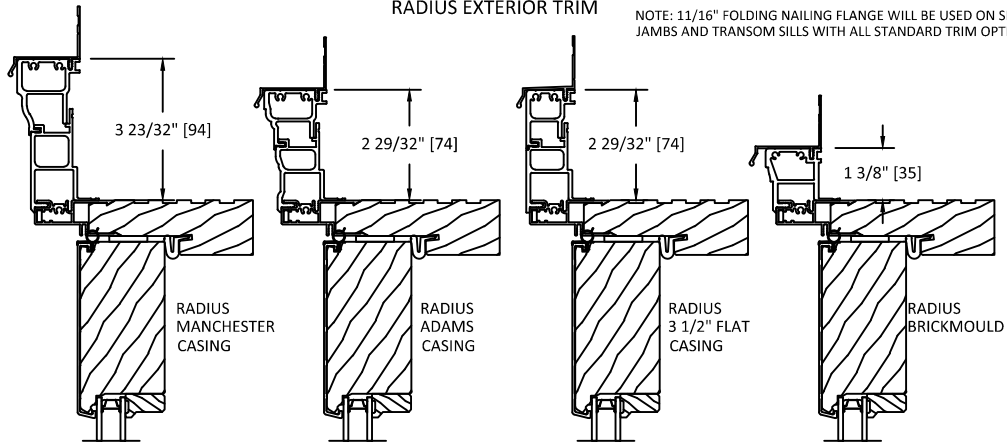
TRIM OPTIONS

EXTERIOR TRIM

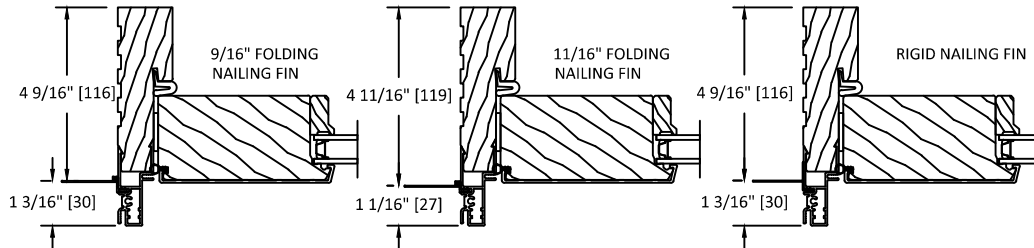


RADIUS EXTERIOR TRIM

NOTE: 11/16" FOLDING NAILING FLANGE WILL BE USED ON SIDE JAMBS AND TRANSOM SILLS WITH ALL STANDARD TRIM OPTIONS

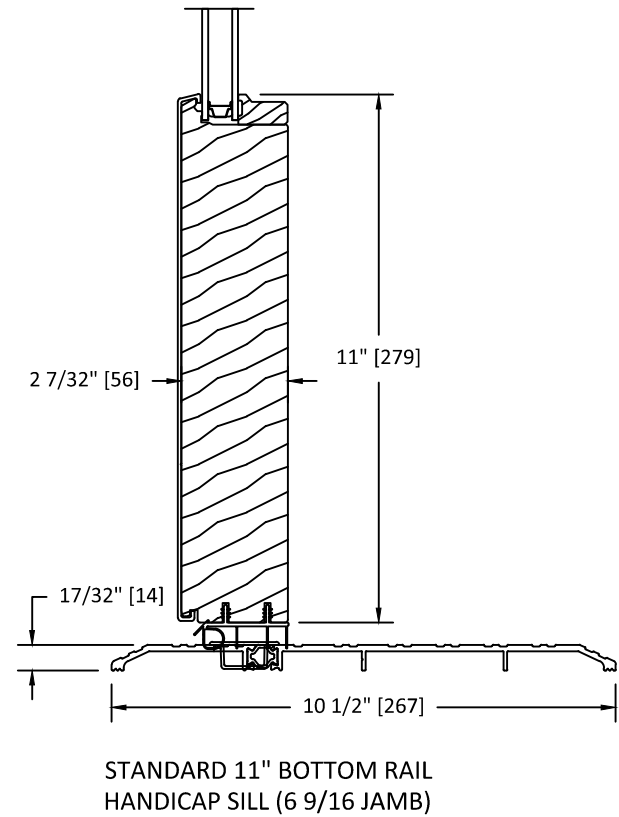
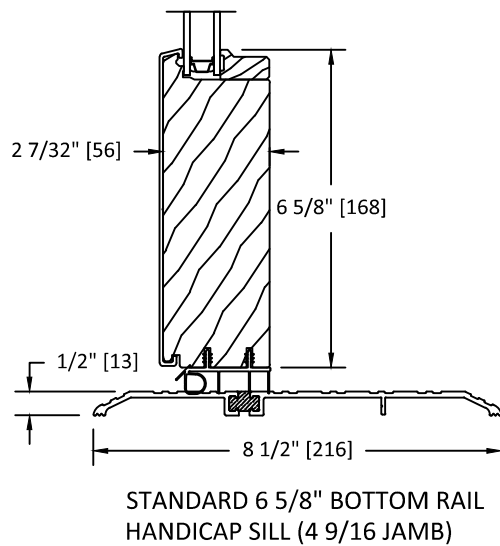
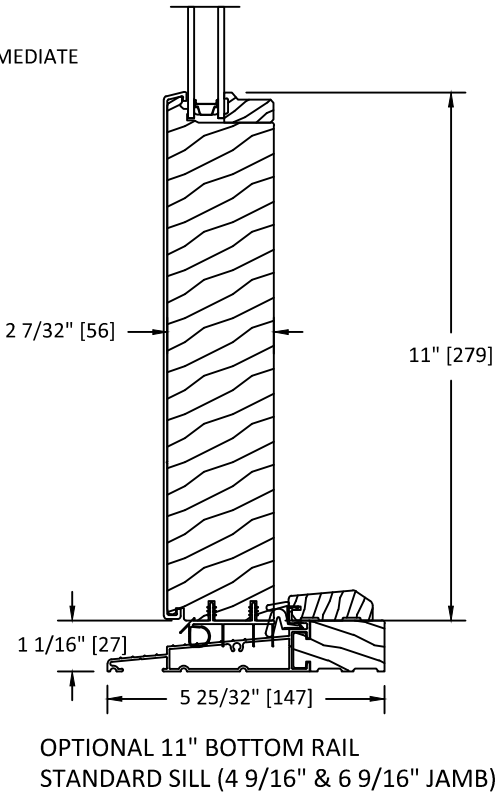
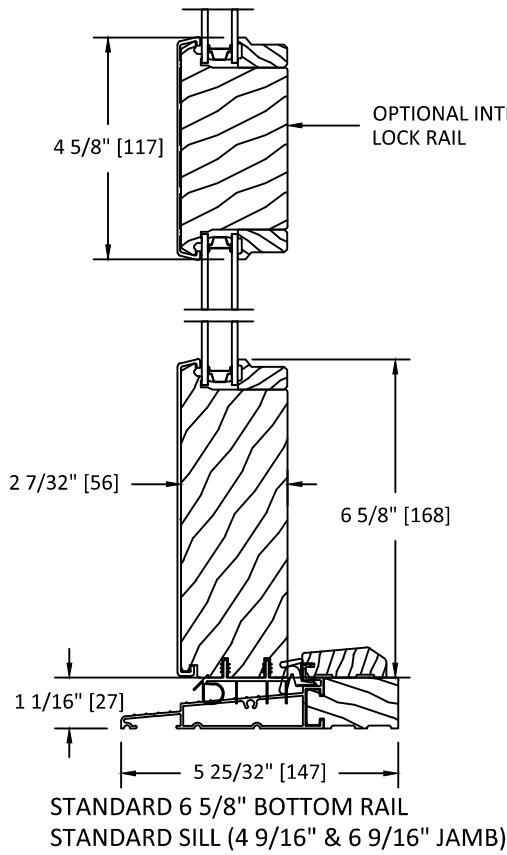


NAILING FIN OPTIONS

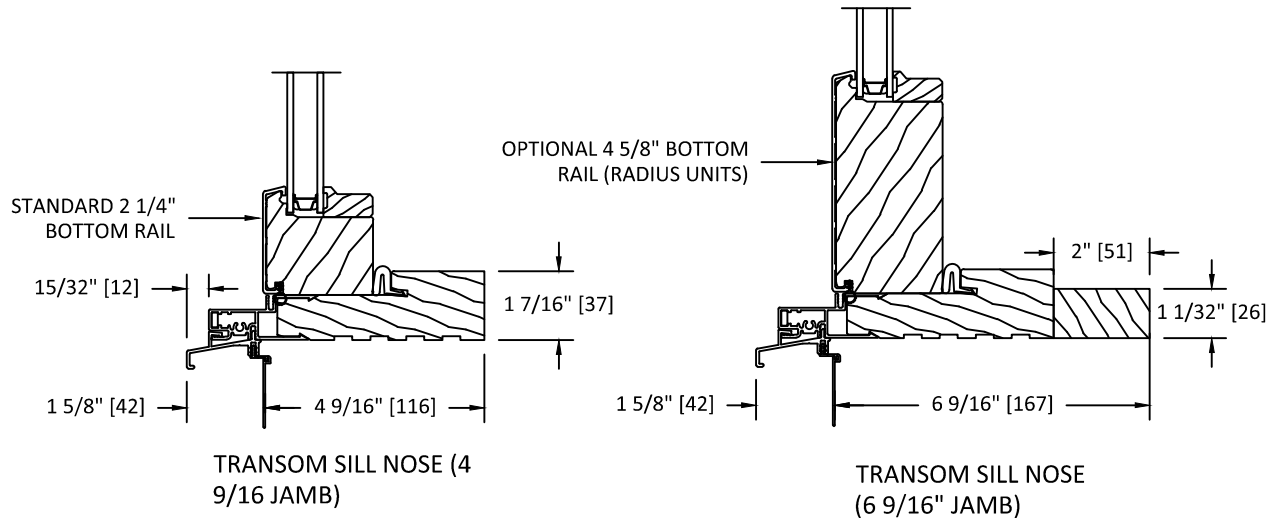


NOTE: 11/16" FOLDING NAILING FLANGE WILL BE USED ON SIDE JAMBS AND TRANSOM SILLS WITH ALL STANDARD TRIM OPTIONS. ON UNITS WITH 11/16" FOLDING NAILING FLANGE AND NO EXTERIOR TRIM, THE 11/16" DRIPCAP IS USED.

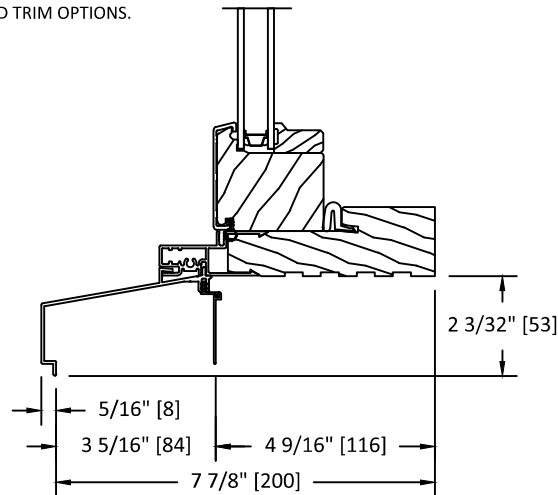
RAIL, PANEL & SILL OPTIONS



RAIL, PANEL & SILL OPTIONS
TRANSOM



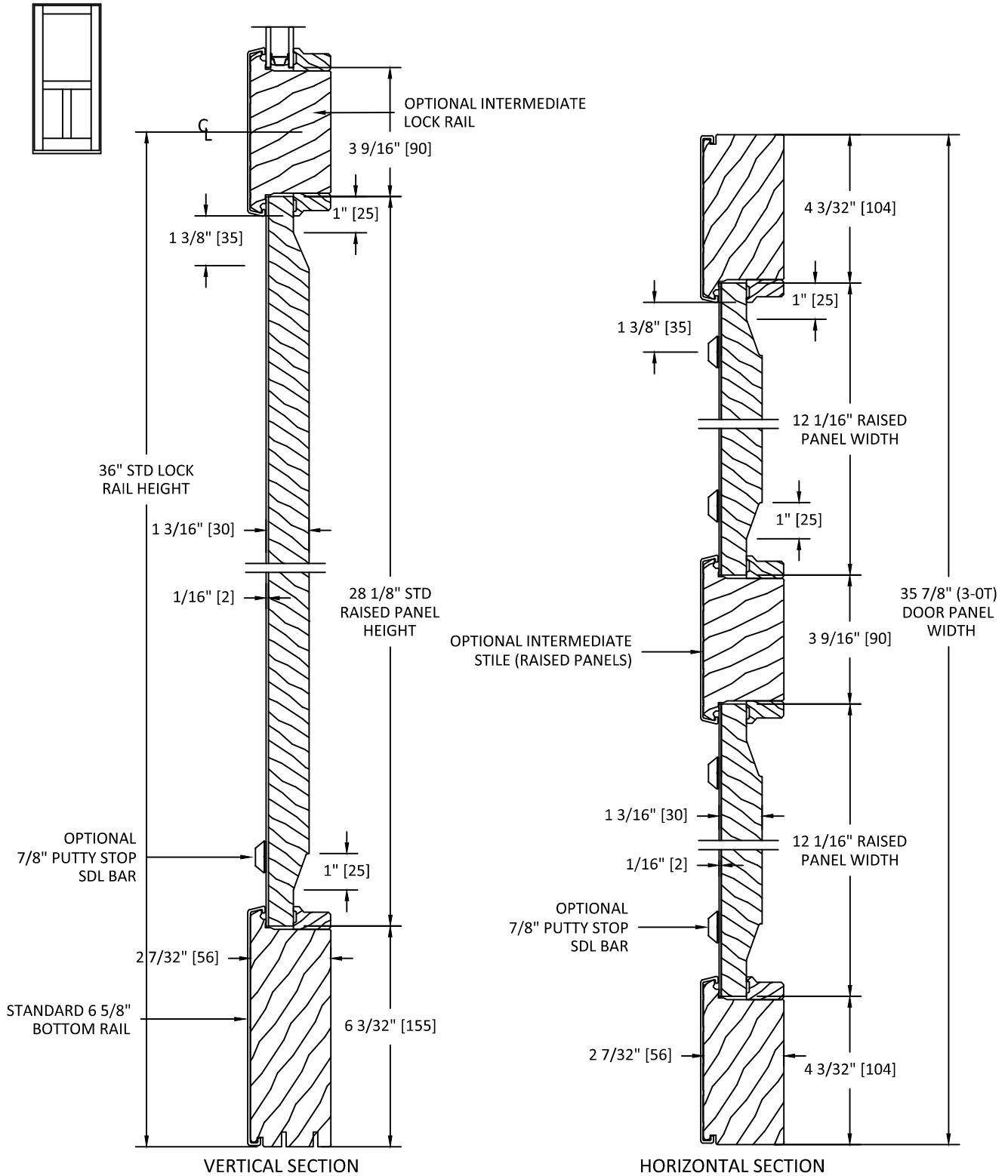
NOTE: SILL NOSE CAN BE USED WITH ALL STANDARD TRIM OPTIONS.



TRANSOM EXTENDED SILL NOSE
(4 9/16" JAMB)

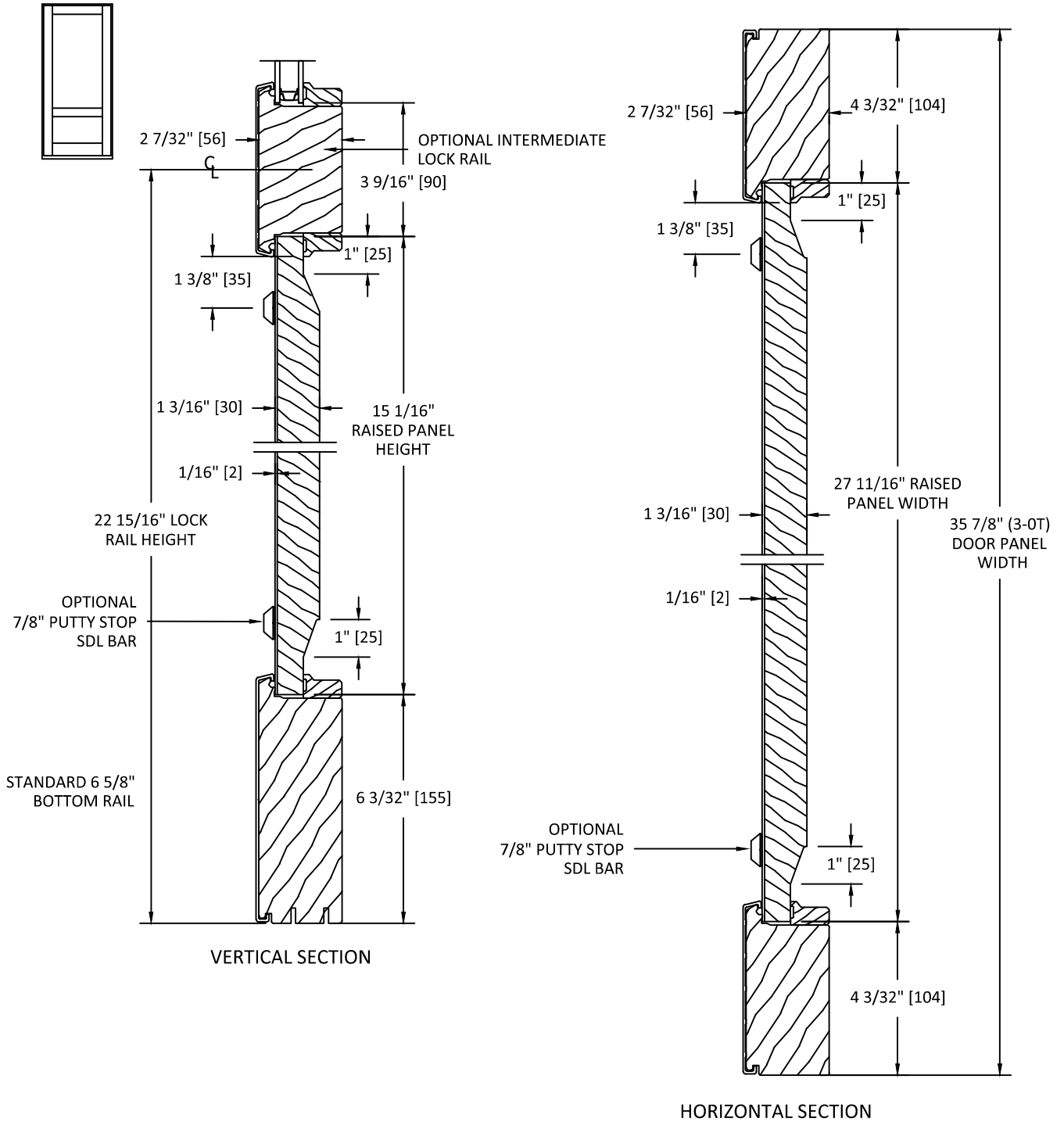
CUSTOM CLAD PATIO DOOR
CUSTOM OUT-SWING PATIO DOOR (2-1/4")

RAIL, PANEL & SILL OPTIONS
STANDARD RAISED PANEL OPTIONS

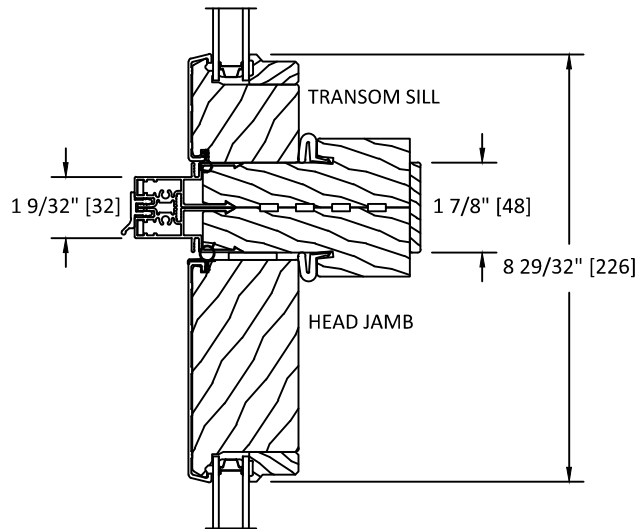
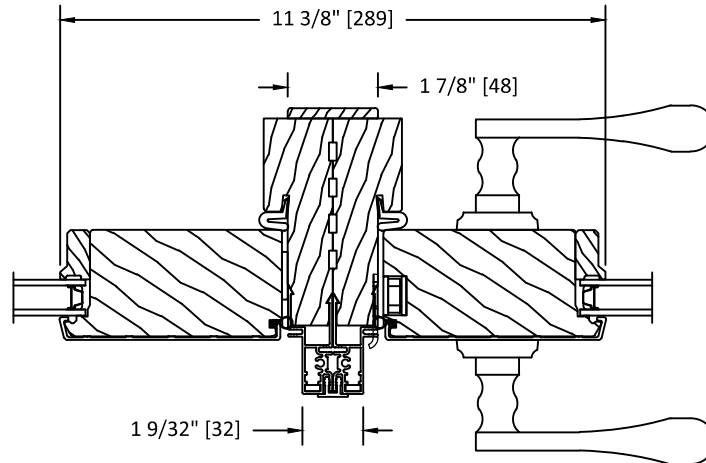


CUSTOM CLAD PATIO DOOR
CUSTOM OUT-SWING PATIO DOOR (2-1/4")

RAIL, PANEL & SILL OPTIONS
OPTIONAL RAISED PANEL OPTIONS

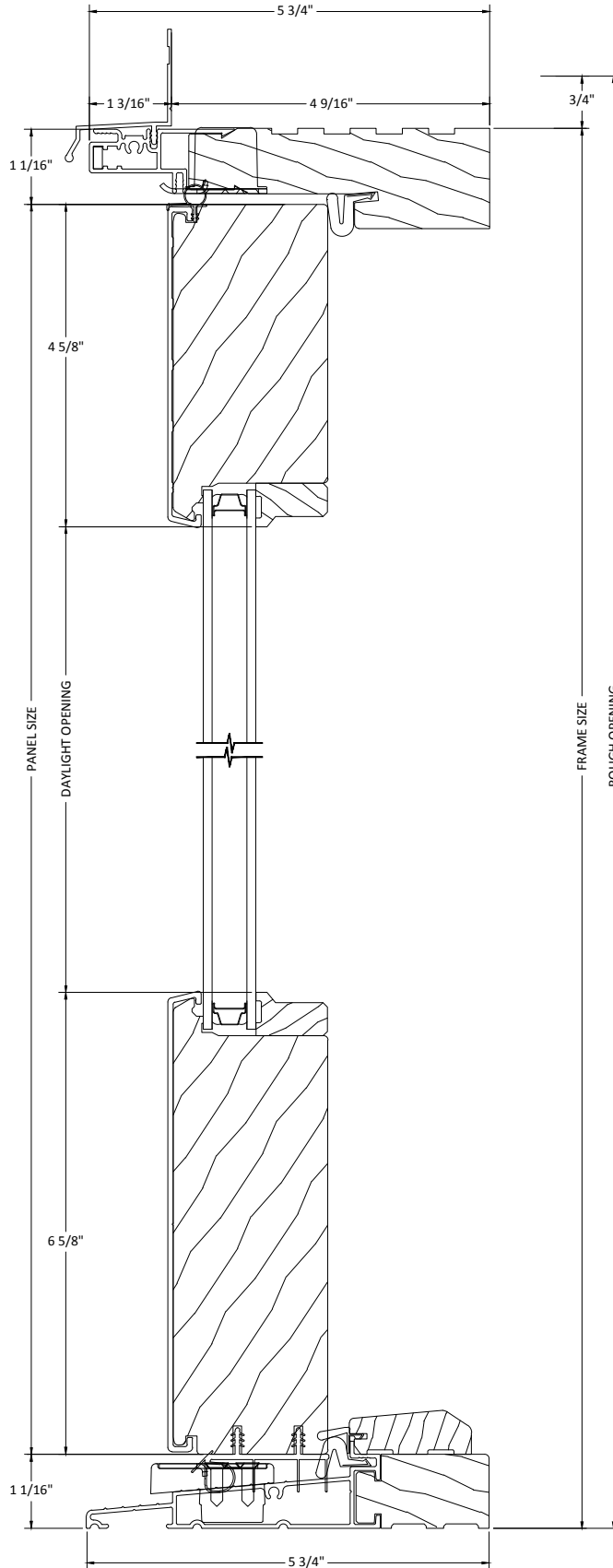


STANDARD MULLION DETAILS



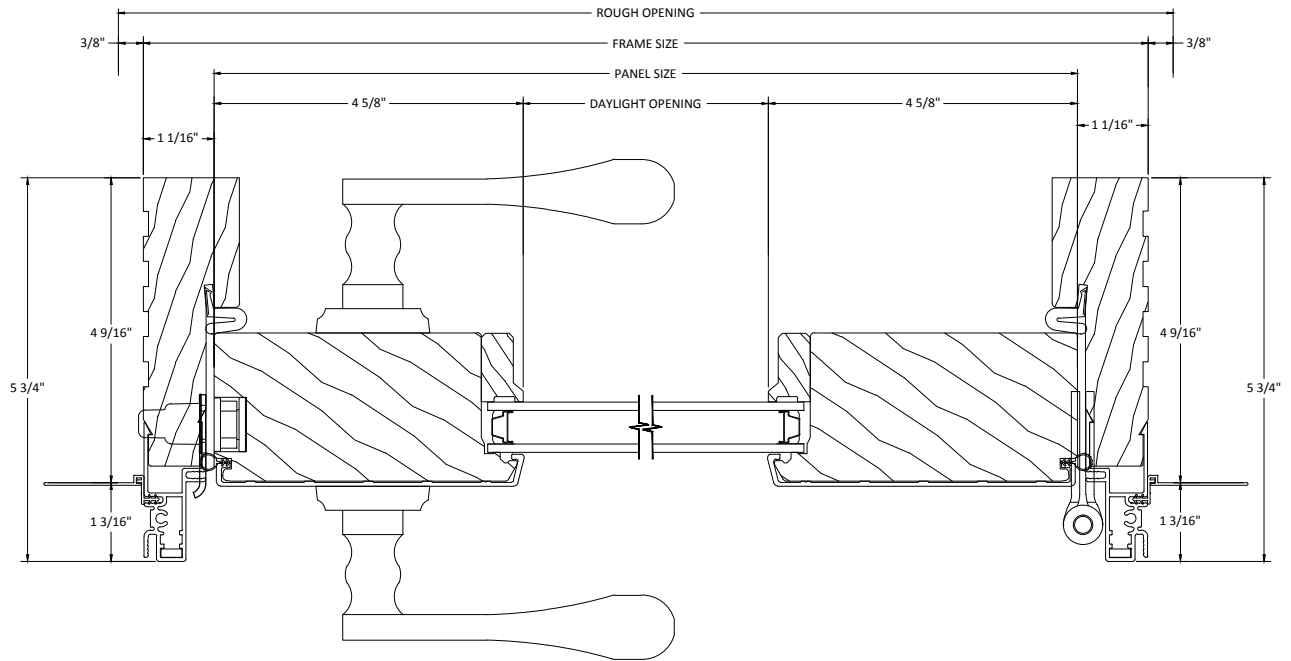
CUSTOM CLAD PATIO DOOR
CUSTOM OUT-SWING PATIO DOOR (2-1/4")

VERTICAL SECTION
1-PANEL UNIT



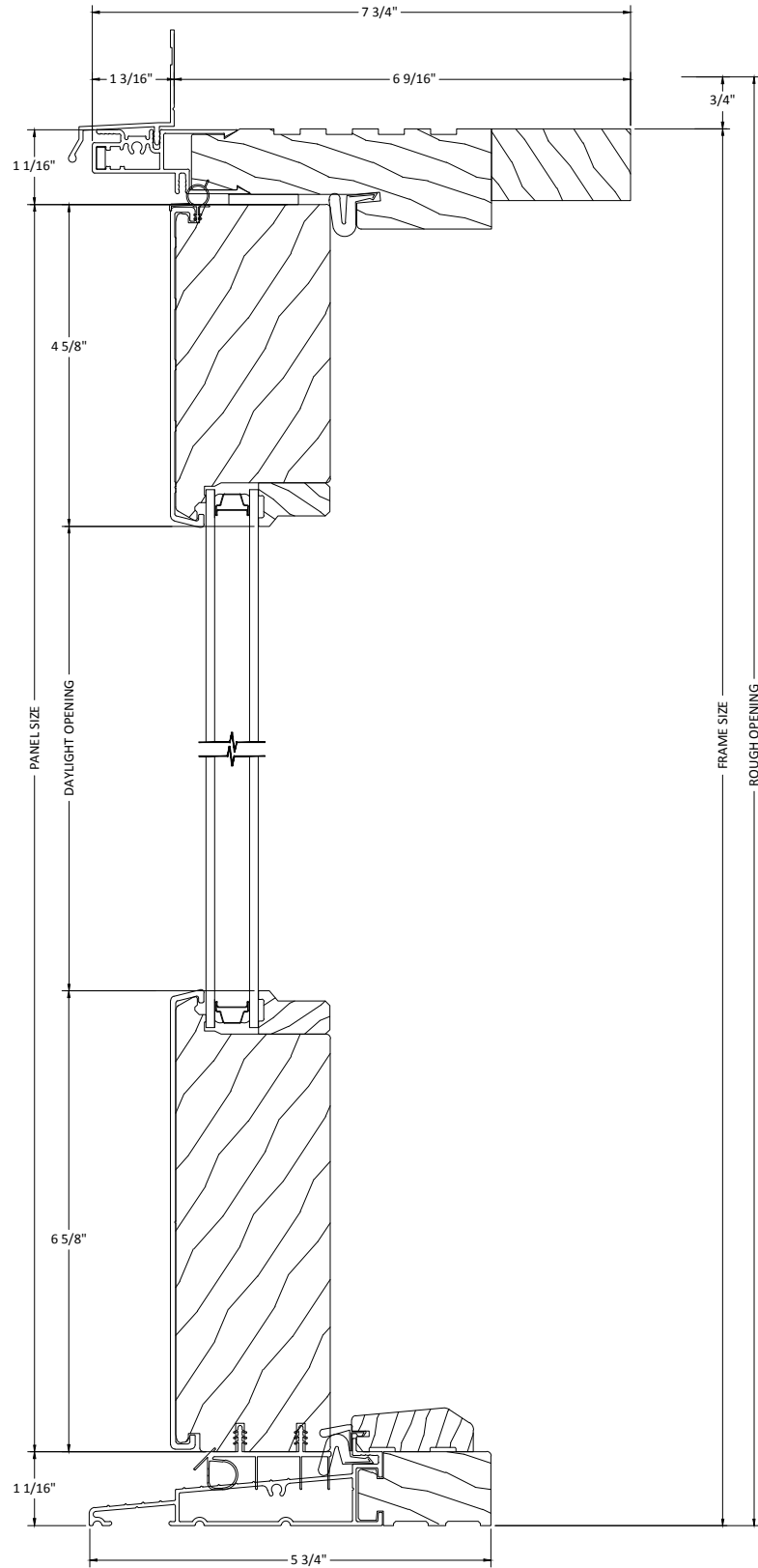
CUSTOM CLAD PATIO DOOR
CUSTOM OUT-SWING PATIO DOOR (2-1/4")

HORIZONTAL SECTION
1-PANEL UNIT



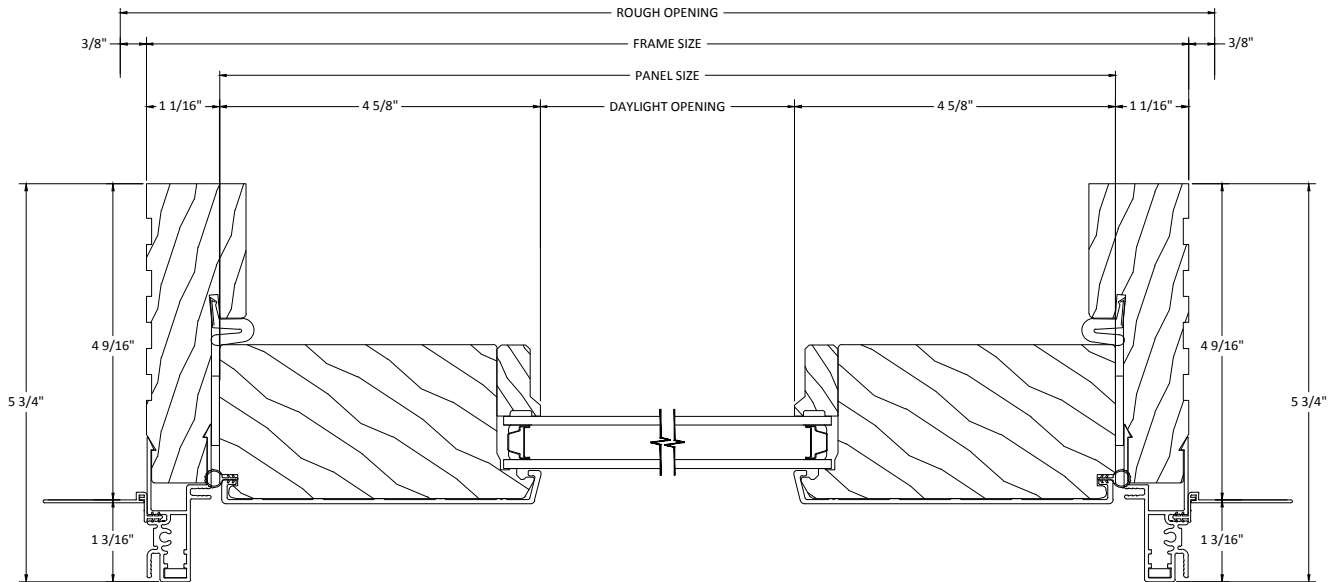
CUSTOM CLAD PATIO DOOR
CUSTOM OUT-SWING PATIO DOOR (2-1/4")

VERTICAL SECTION
STATIONARY UNIT



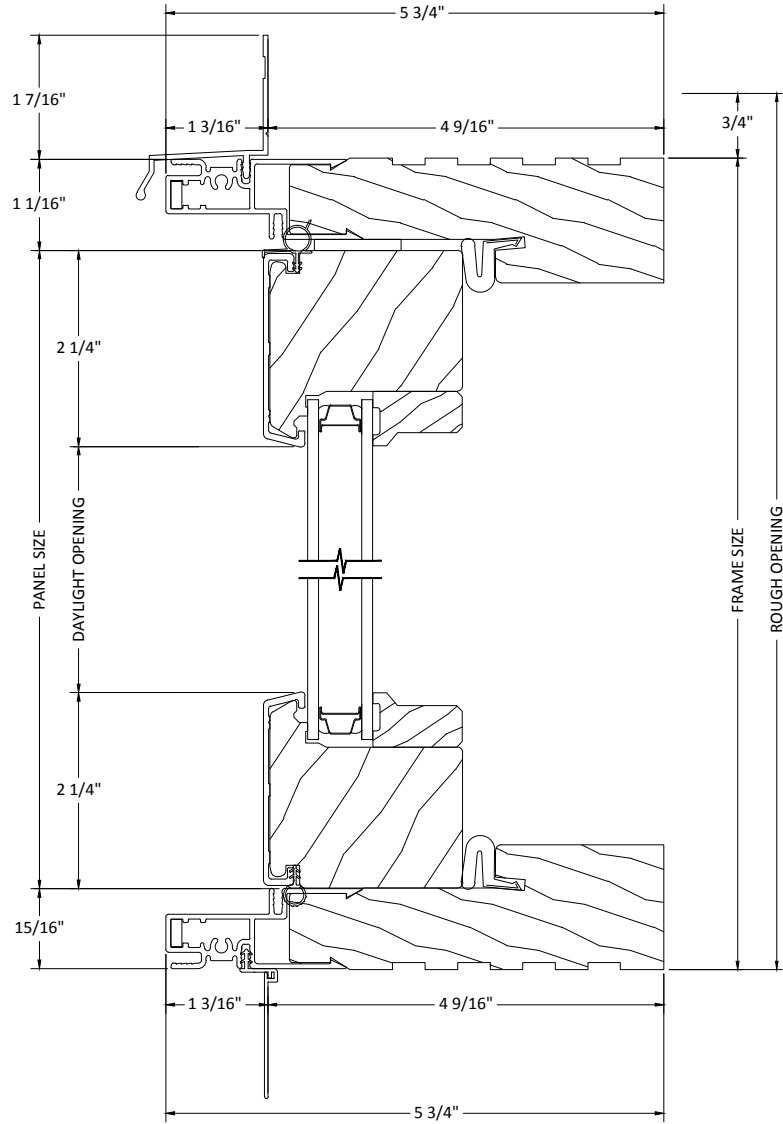
CUSTOM CLAD PATIO DOOR
CUSTOM OUT-SWING PATIO DOOR (2-1/4")

HORIZONTAL SECTION
STATIONARY UNIT



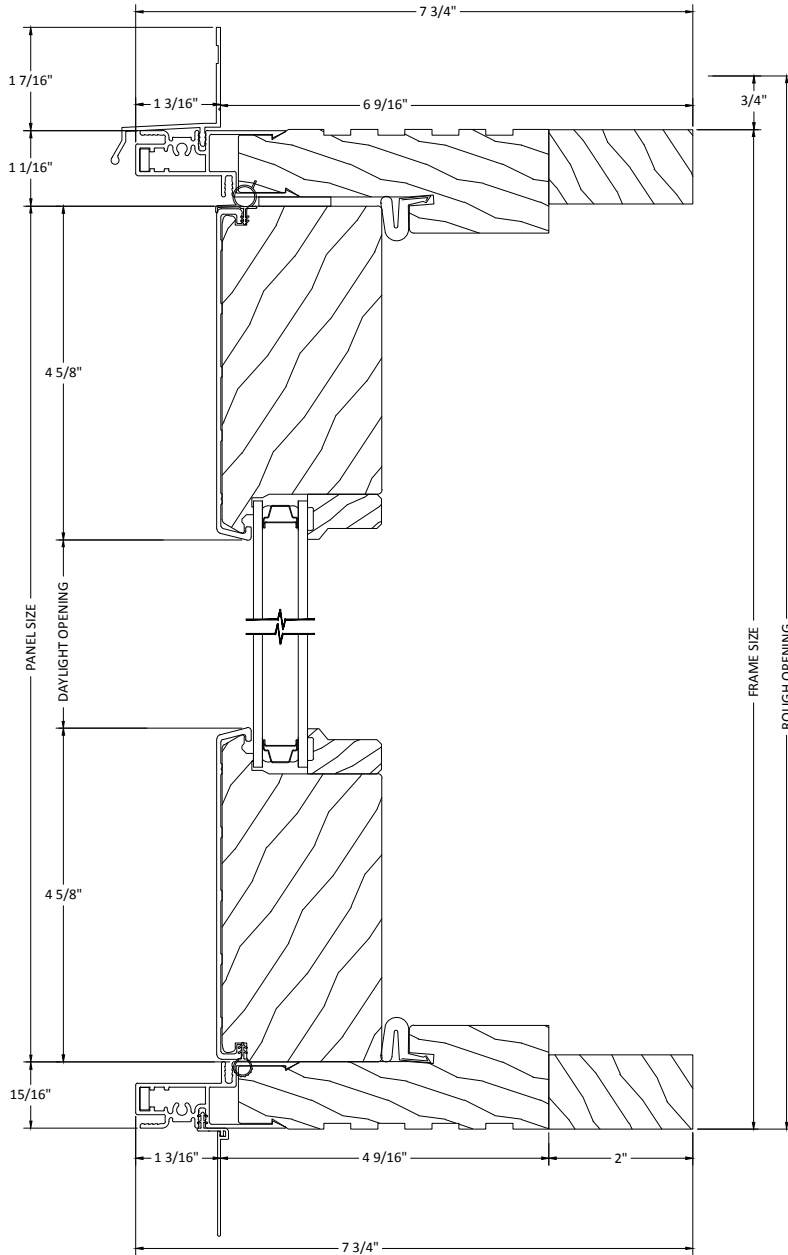
CUSTOM CLAD PATIO DOOR
CUSTOM OUT-SWING PATIO DOOR (2-1/4")

VERTICAL SECTION
TRANSOM (4 9/16" JAMB)
NARROW RAILS



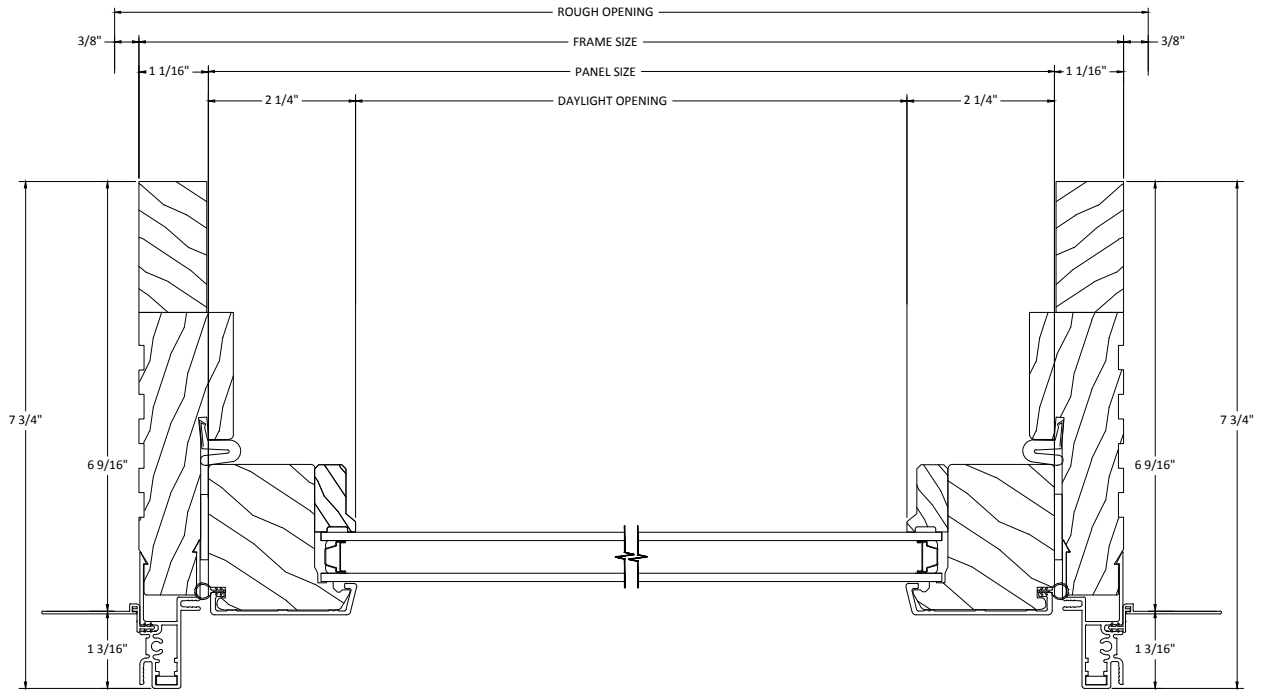
CUSTOM CLAD PATIO DOOR
CUSTOM OUT-SWING PATIO DOOR (2-1/4")

VERTICAL SECTION
TRANSOM (6 9/16" JAMB)
WIDE RAILS



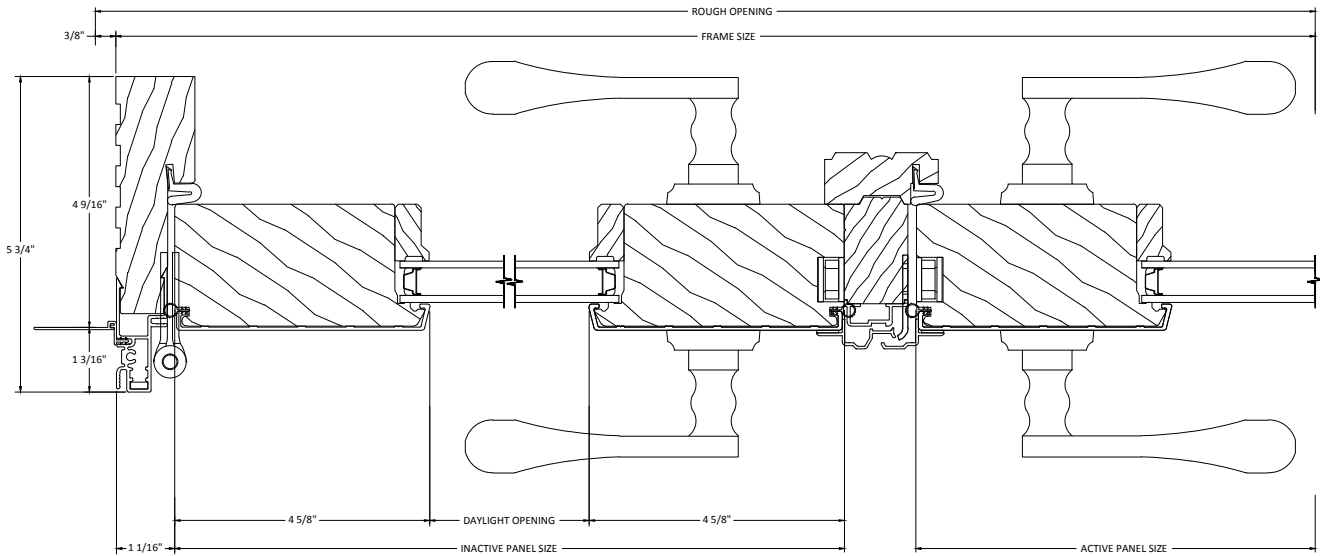
CUSTOM CLAD PATIO DOOR
CUSTOM OUT-SWING PATIO DOOR (2-1/4")

HORIZONTAL SECTION
TRANSOM (6-9/16" JAMB)
NARROW STILES



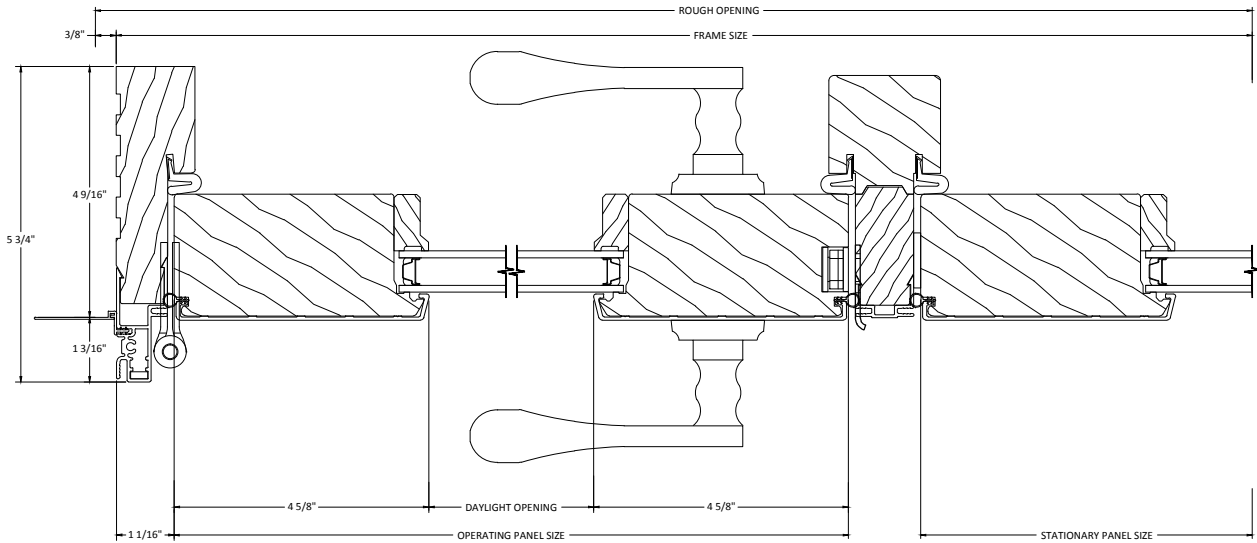
CUSTOM CLAD PATIO DOOR
CUSTOM OUT-SWING PATIO DOOR (2-1/4")

VERTICAL SECTION
FRENCH DOOR UNIT



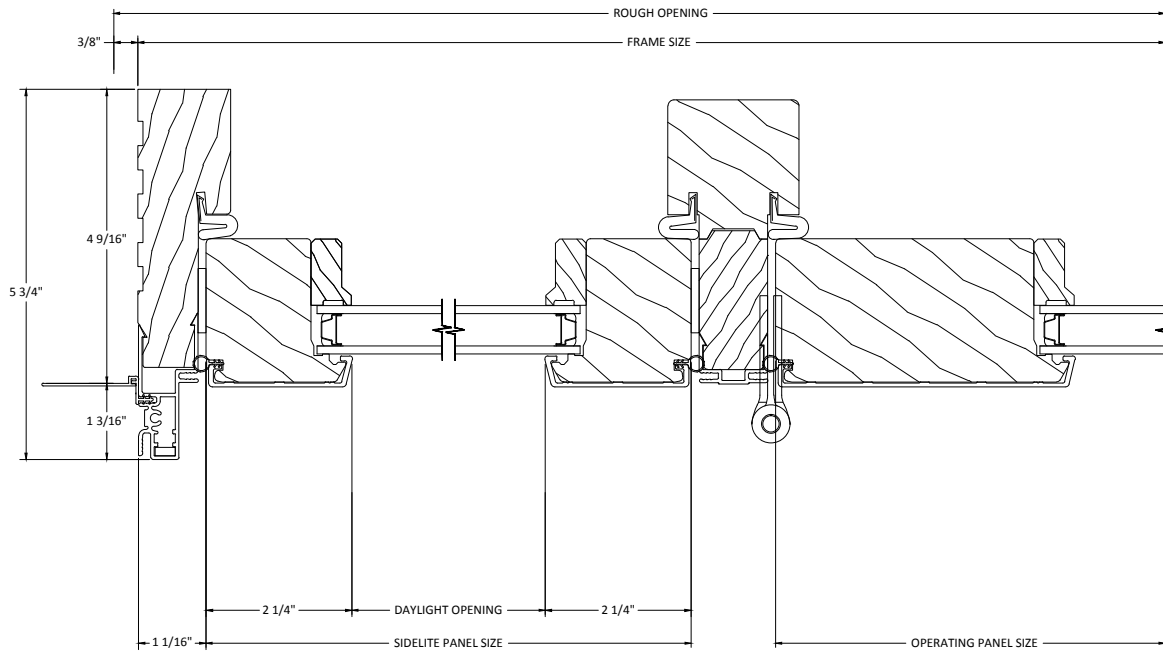
CUSTOM CLAD PATIO DOOR
CUSTOM OUT-SWING PATIO DOOR (2-1/4")

VERTICAL SECTION
2-PANEL UNIT



CUSTOM CLAD PATIO DOOR
CUSTOM OUT-SWING PATIO DOOR (2-1/4")

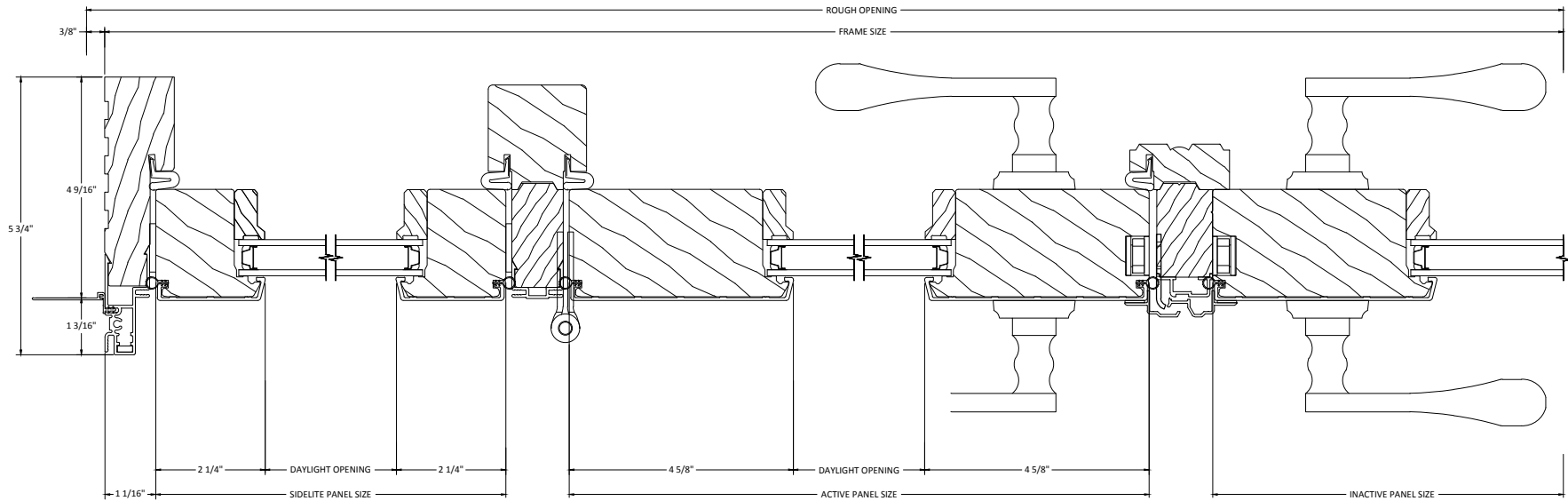
HORIZONTAL SECTION
3-PANEL UNIT



Horizontal Section

CUSTOM CLAD PATIO DOOR
CUSTOM OUT-SWING PATIO DOOR (2-1/4")

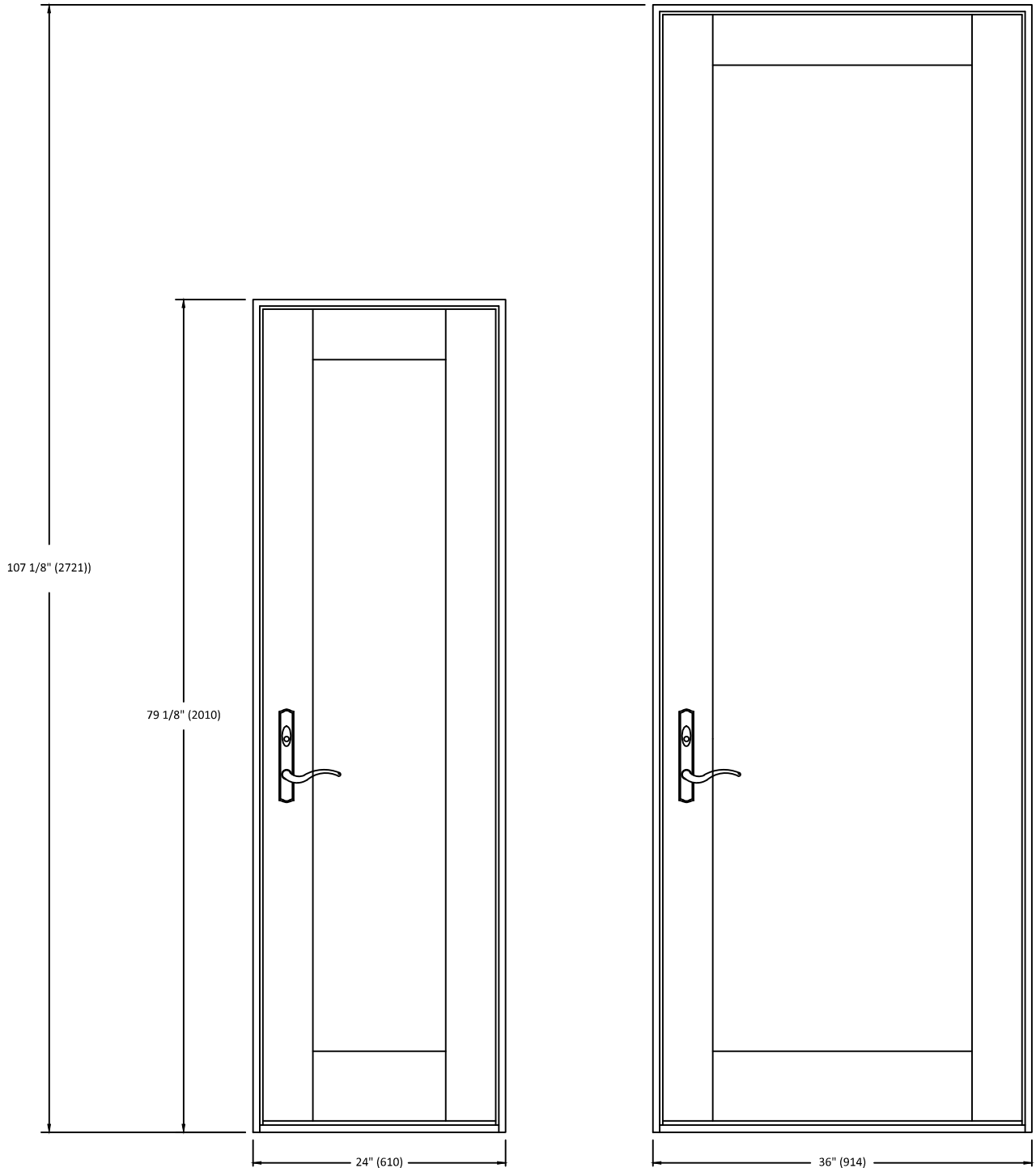
HORIZONTAL SECTION
4-PANEL UNIT



Horizontal Section

CUSTOM CLAD PATIO DOOR
CUSTOM OUT-SWING PATIO DOOR (2-1/4")

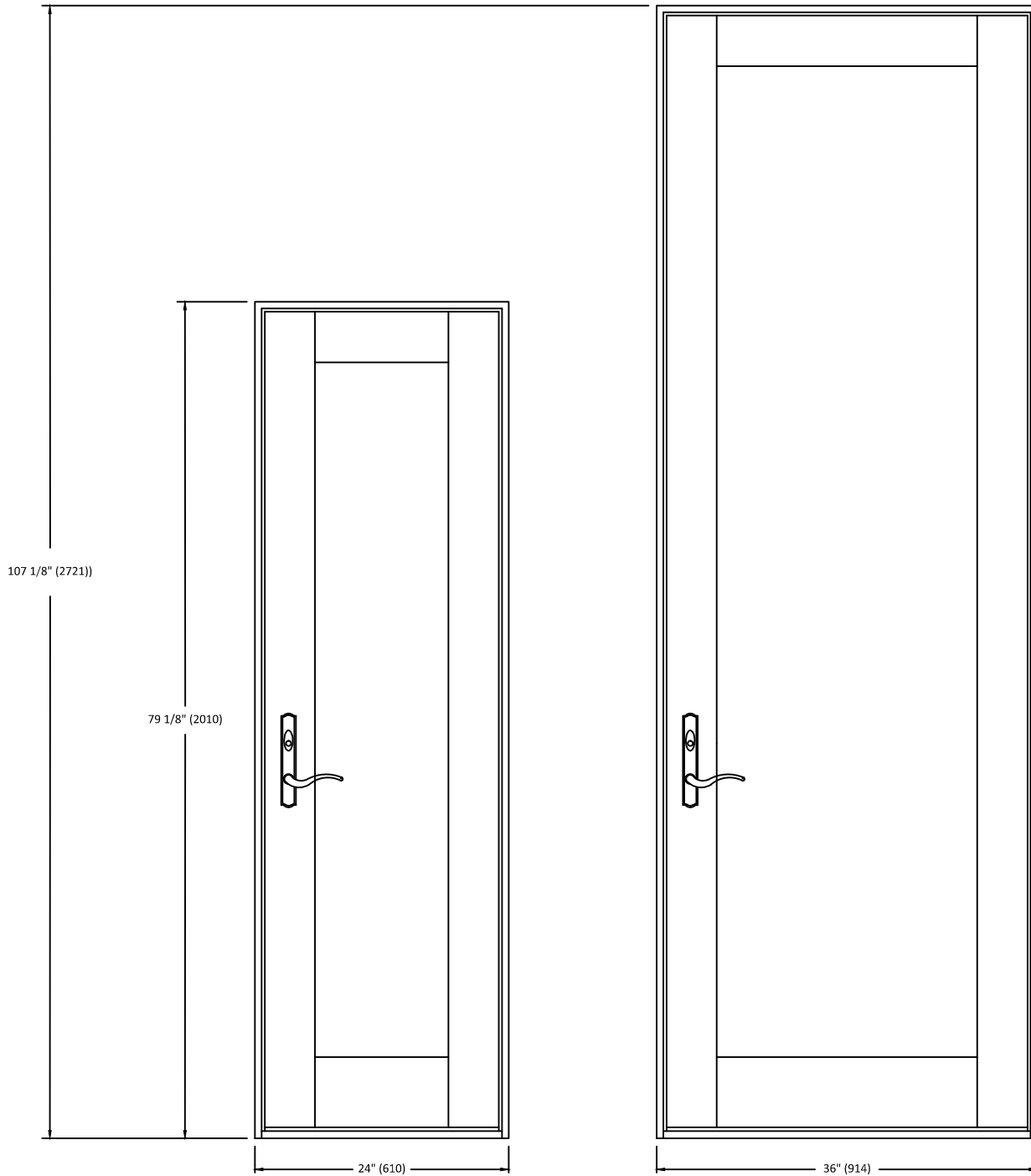
MIN & MAX SIZING 1 PANEL
TRUE SIZE



Standard widths for the Custom Swinging Patio Door 1 Panel (Retro Size) Unit:
24"(610mm), 30"(762mm), 32"(813mm), 36"(914mm).
Standard heights for the Custom Swinging Patio Door 1 Panel (Retro Size) Unit:
79 1/8"(2010mm), 95 1/8"(2416mm), 107 1/8"(2721mm).

CUSTOM CLAD PATIO DOOR
CUSTOM OUT-SWING PATIO DOOR (2-1/4")

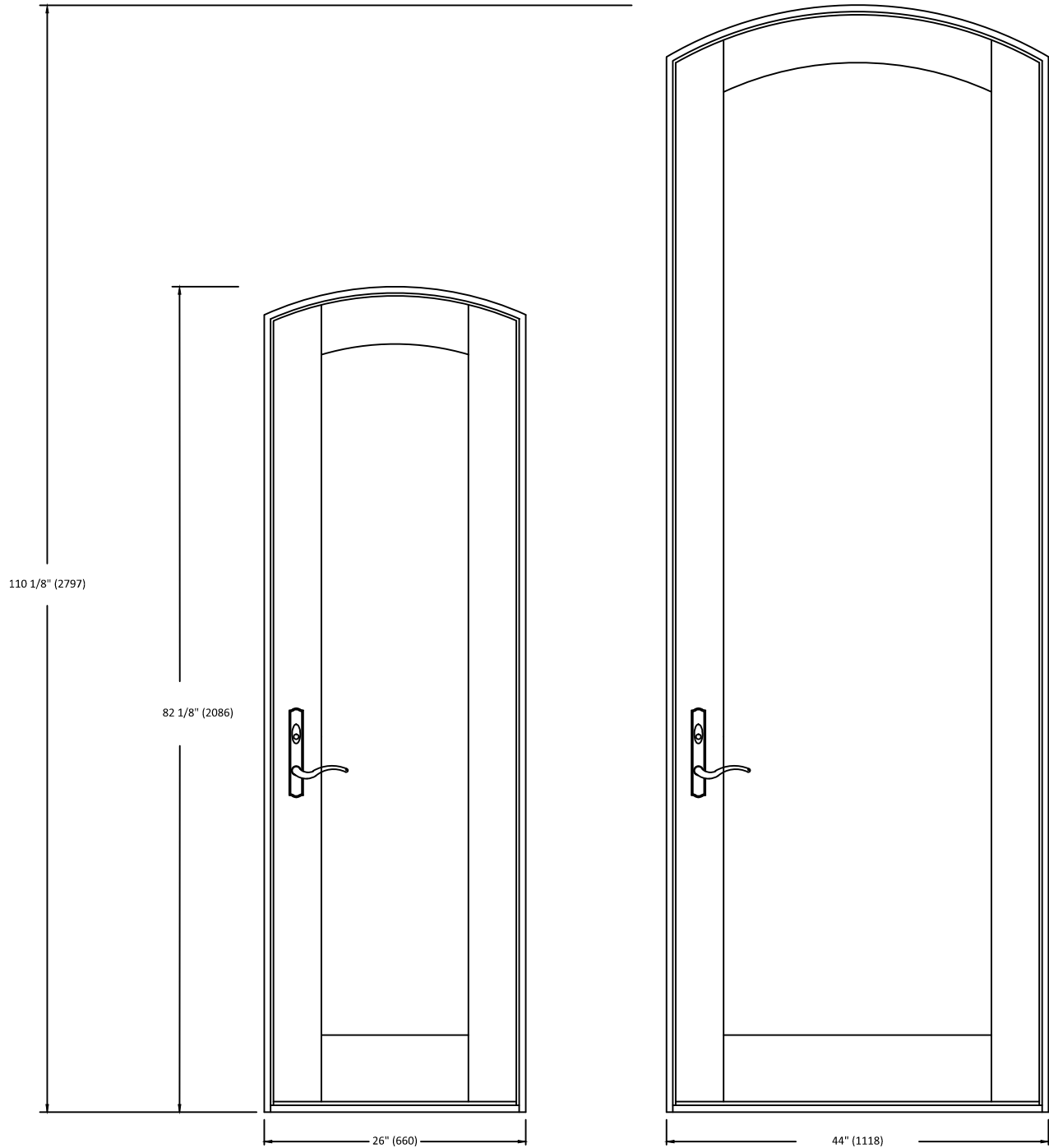
MIN & MAX SIZING 1 PANEL
RETRO SIZE



Standard widths for the Custom Swinging Patio Door 1 Panel (Retro Size) Unit:
24"(610mm), 30"(762mm), 32"(813mm), 36"(914mm).
Standard heights for the Custom Swinging Patio Door 1 Panel (Retro Size) Unit:
79 1/8"(2010mm), 95 1/8"(2416mm), 107 1/8"(2721mm).

CUSTOM CLAD PATIO DOOR
CUSTOM OUT-SWING PATIO DOOR (2-1/4")

MIN & MAX SIZING 1 PANEL
SECTOR TOP



Standard widths for the Custom Swinging Patio Door Sector Top 1 Panel Unit:
26"(660mm), 32"(813mm), 34"(864mm), 38"(965mm), 44"(1118mm).
Standard heights for the Custom Swinging Patio Door Sector Top 1 Panel Unit:
82 1/8"(2086mm), 86 1/8"(2188mm), 98 1/8"(2492mm), 110 1/8"(2797mm).