
Table of Contents

General Information. 21-2

Elevation Notes 21-3

Lite Cut Information. 21-4

Standard Lite Cut Tables. 21-5

Clear Opening Design Table. 21-6

Clear Opening Layouts 21-9

Unit Sizing, Rough Openings & Masonry Openings. 21-11

Trim Options. 21-12

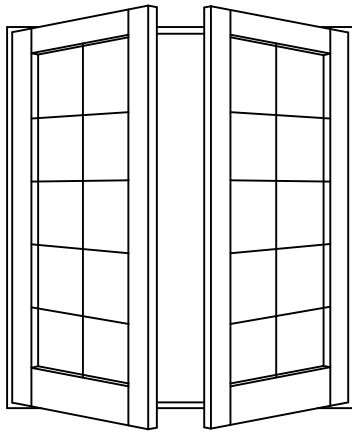
Rail, Panel & Sill Options. 21-13

Mullion details 21-17

Section Details 21-18

Min & Max Sizing 21-33

GENERAL INFORMATION



INACTIVE LEFT

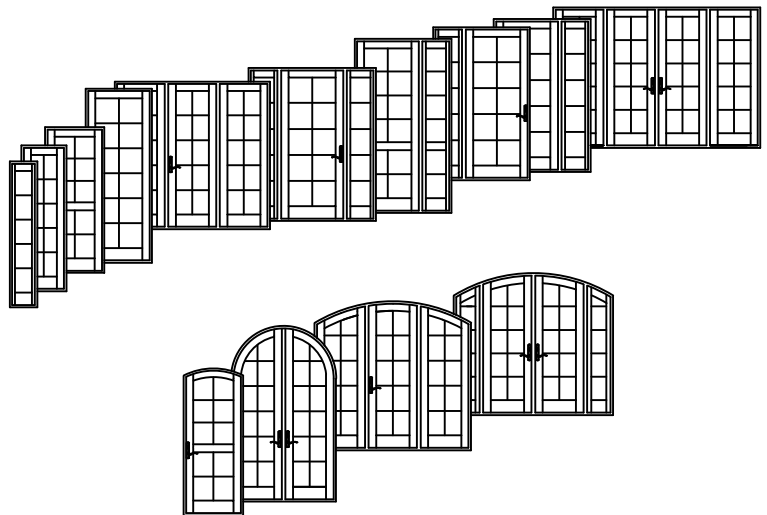
DIMENSIONAL DOORS

Custom Clad In-Swing (2 1/4") patio doors may be specified as "dimensional", by adjusting the desired rough opening width or height in 1/16" increments from standard.

Custom Clad In-Swing (2 1/4") patio doors are available in single, twin, triple and quad panel doors. Transoms are available to match the variety of door sizes. The standard size range includes sizes specifically designed for replacement of older patio door models in existing structures, as well as a full range of "true size" products for architectural consistency.

OPERATION

Custom Clad In-Swing (2 1/4") patio doors are available in a full range of operating styles. Single panel doors may be specified as stationary (non-venting) or can operate left or right. Center swing two-or three-panel doors are available with left or right operation. French doors feature two operating panels (one active, which opens first; and one inactive, which closes first), and are available in two-panel and four panel styles. Configuration and handing is based on viewing the door from the interior.



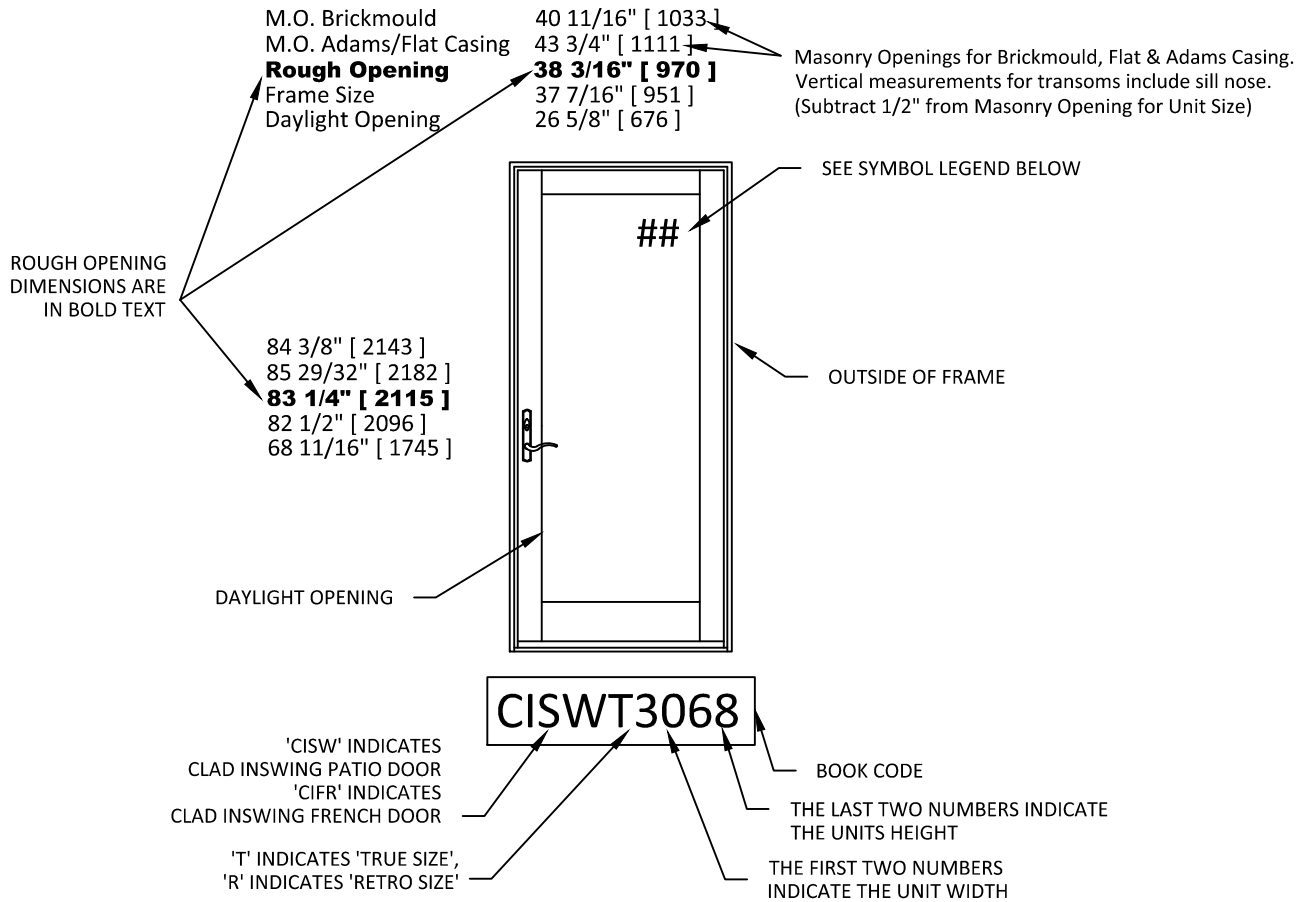
MULTIPLE ASSEMBLIES

Custom Clad In-Swing (2 1/4") patio doors are available in a wide variety of multiple panel configurations from the factory, all of which are assembled with continuous sills. Clad inswing patio doors may be mullered below, or beside other clad door and clad window products. Factory assembled mulls are limited in height (100"), width (150").



ELEVATION NOTES

ELEVATION DRAWINGS UTILIZE A LIMITED NUMBER OF PROJECTED LINES TO PRODUCE A RUDIMENTARY DRAWING INTENDED TO BE USED IN A SMALL GRAPHICAL SCALE. ELEVATIONS ARE VIEWED PERPENDICULAR FROM THE EXTERIOR OF THE STRUCTURE. IF MORE DIMENSIONS ARE NEEDED, USE THE SECTION DRAWINGS FOR MORE COMPLETE DEPICTIONS.



GENERAL SWINGING DOOR NOTES

1. CLAD INSWING PATIO DOOR (CISW / CIFR) UNITS ARE AVAILABLE AS OPERATING OR FIXED UNITS.
2. UNIT ELEVATIONS ARE SHOWN WITHOUT EXTERIOR TRIM. UNIT SIZES & MASONRY OPENING DIMENSIONS WILL CHANGE WITH THE ADDITION OF EXTERIOR TRIM. SEE THE 'UNIT SIZING, ROUGH OPENINGS & MASONRY OPENINGS' PAGE FOR EXTERIOR TRIM EFFECTS.
3. OPERATING UNITS ARE AVAILABLE AS LEFT OR RIGHT HAND OPERATION.
4. HANDICAP SILL, 11" BOTTOM RAILS, INTERMEDIATE LOCK RAILS AND RAISED PANELS ARE AVAILABLE FOR ALL UNITS.

ELEVATION SYMBOL LEGEND

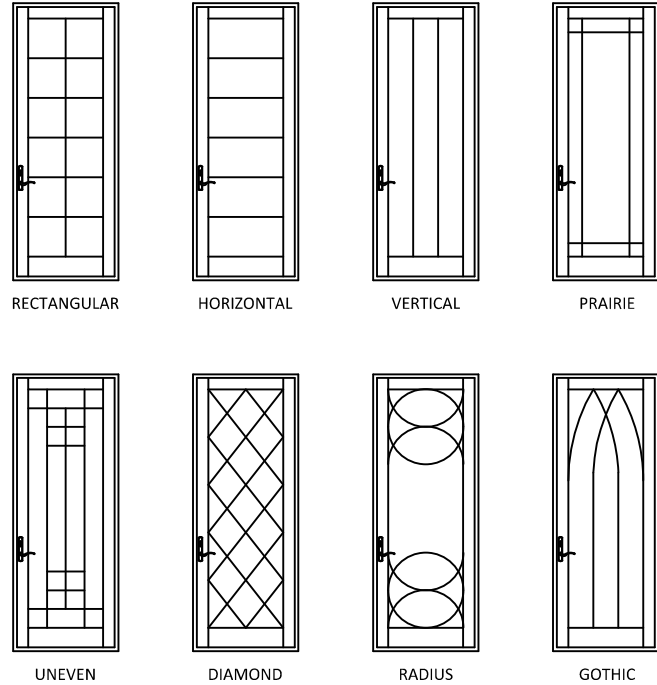
- (F) PANEL IS AVAILABLE AS FIXED ONLY.
- ## NUMBER INDICATES DESIGN PRESSURE (DP) RATING WITH STANDARD GLAZING. OPERATING UNITS UTILIZE MULTI-POINT LOCKING HARDWARE FOR DP RATINGS.

LITE CUT INFORMATION

Custom Clad In-Swing (2 1/4") patio doors are available with removable grilles in 5/8", 7/8", 1-1/8" and 1-3/8" widths, with grilles between the glass (GBG), or with Simulated Divided Lites. Standard lite cuts are rectangular, and conform to the layouts noted in the charts on the next page. To use the chart, refer to the appropriate table by the type of patio door and type of bars or grilles the section drawings illustrate. Then simply cross reference the frame height and width to determine the standard lite cut.

LITE CUT OPTIONS

Special lite cut patterns can include a wide variety of straight line and radius patterns. The illustrations shown here represent just a few of the possibilities. Rectangular, horizontal, vertical and Prairie lite patterns are available in all standard size clad swinging patio doors. Uneven, diamond, radius and Gothic lite cuts are available, subject to approval. Approvals are based on the ability to fulfill the design requirement while maintaining the construction integrity of the finished product.

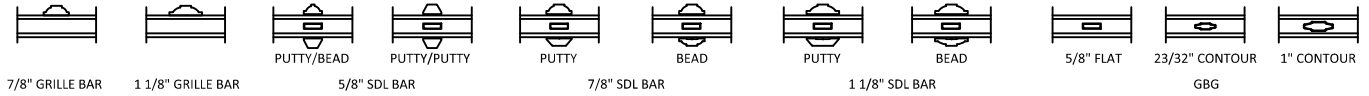


BAR ALIGNMENT

Alignment of divided lite muntin bars from one product to the next is often required by fine architectural design. Wood grilles, GBG's, and Simulated Divided Lites may be specified with muntin bars aligned.



STANDARD LITE CUT TABLES



RETRO SIZES

CISWR	Width Callout						
	1-0	1-2	1-4	2-0	2-6	2-8	3-0
6-8	N/A	N/A	N/A	2W 5H	2W 5H	2W 5H	2W 5H
8-0	N/A	N/A	N/A	2W 6H	2W 6H	2W 6H	2W 6H
9-0	N/A	N/A	N/A	2W 7H	2W 7H	2W 7H	2W 7H
10-0	N/A	N/A	N/A	2W 8H	2W 8H	2W 8H	2W 8H

TRUE SIZES

CISWT	Width Callout							
	1-0	1-2	1-4	2-0	2-6	2-8	3-0	3-6
6-8	1W 5H	1W 5H	1W 5H	2W 5H	2W 5H	2W 5H	2W 5H	3W 5H
7-0	1W 5H	1W 5H	1W 5H	2W 5H	2W 5H	2W 5H	2W 5H	3W 5H
8-0	1W 6H	1W 6H	1W 6H	2W 6H	2W 6H	2W 6H	2W 6H	3W 6H
9-0	1W 7H	1W 7H	1W 7H	2W 7H	2W 7H	2W 7H	2W 7H	N/A
10-0	1W 8H	1W 8H	1W 8H	2W 8H	2W 8H	2W 8H	2W 8H	N/A



1 3/8" GRILLE BAR 1 3/8" SDL BAR

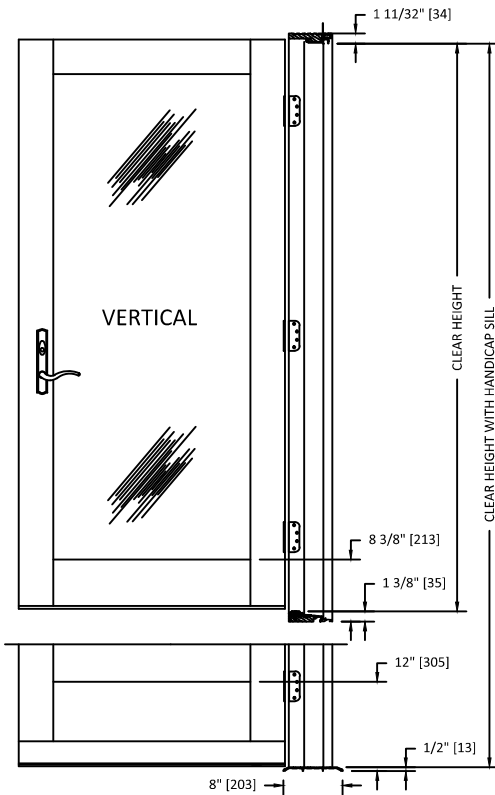
RETRO SIZES

CISWR	Width Callout						
	1-0	1-2	1-4	2-0	2-6	2-8	3-0
6-8	N/A	N/A	N/A	2W 5H	2W 5H	2W 5H	2W 5H
8-0	N/A	N/A	N/A	2W 6H	2W 6H	2W 6H	2W 6H
9-0	N/A	N/A	N/A	2W 7H	2W 7H	2W 7H	2W 7H
10-0	N/A	N/A	N/A	2W 8H	2W 8H	2W 8H	2W 8H

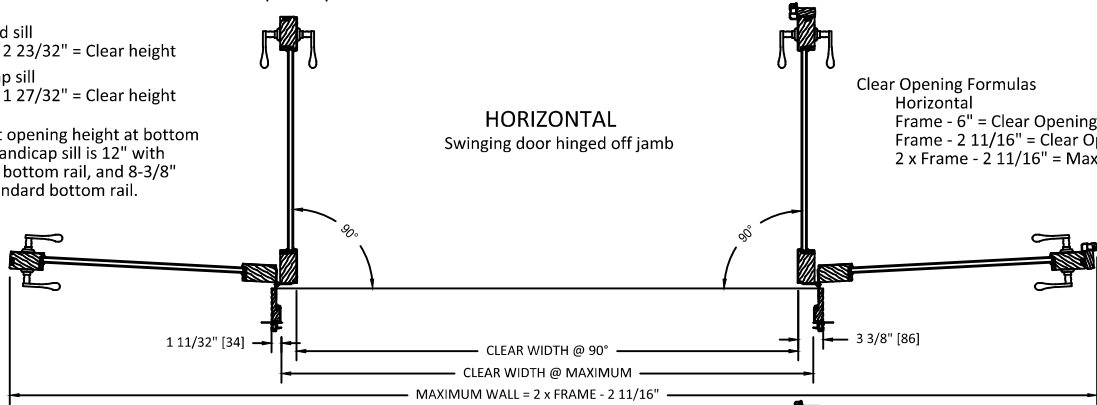
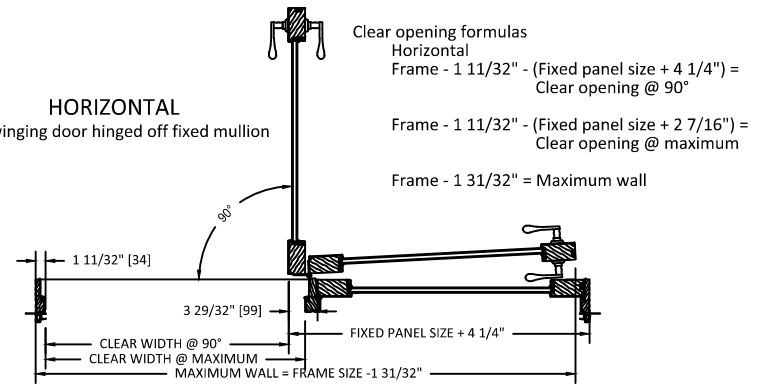
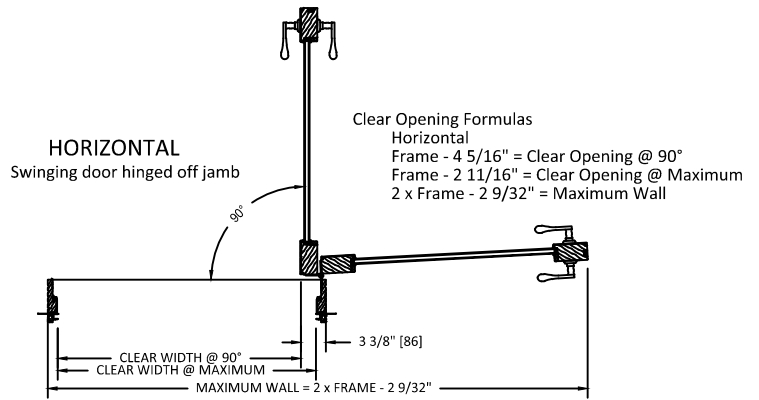
TRUE SIZES

CISWT	Width Callout							
	1-0	1-2	1-4	2-0	2-6	2-8	3-0	3-6
6-8	1W 5H	1W 5H	1W 5H	2W 5H	2W 5H	2W 5H	2W 5H	3W 5H
7-0	1W 5H	1W 5H	1W 5H	2W 5H	2W 5H	2W 5H	2W 5H	3W 5H
8-0	1W 6H	1W 6H	1W 6H	2W 6H	2W 6H	2W 6H	2W 6H	3W 6H
9-0	1W 7H	1W 7H	1W 7H	2W 7H	2W 7H	2W 7H	2W 7H	N/A
10-0	1W 8H	1W 8H	1W 8H	2W 8H	2W 8H	2W 8H	2W 8H	N/A

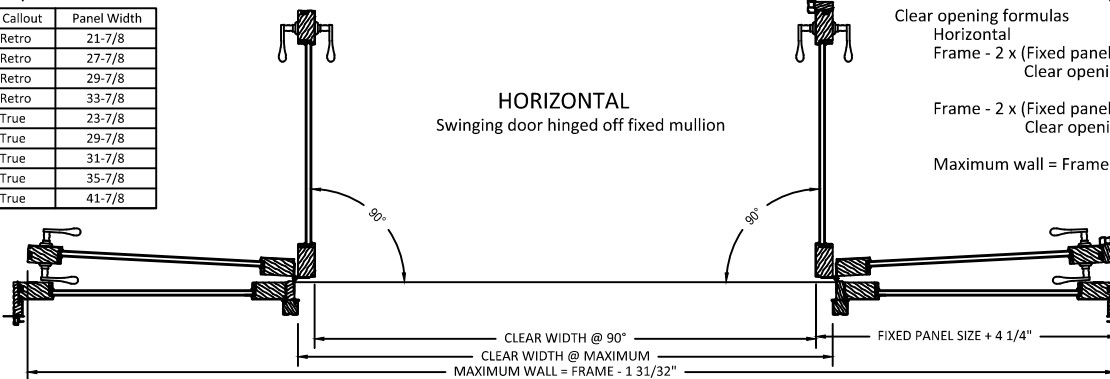
CLEAR OPENING LAYOUT



Vertical
Standard sill
Frame - 2 23/32" = Clear height
Handicap sill
Frame - 1 27/32" = Clear height
Daylight opening height at bottom rail to handicap sill is 12" with 10-1/4" bottom rail, and 8-3/8" with standard bottom rail.

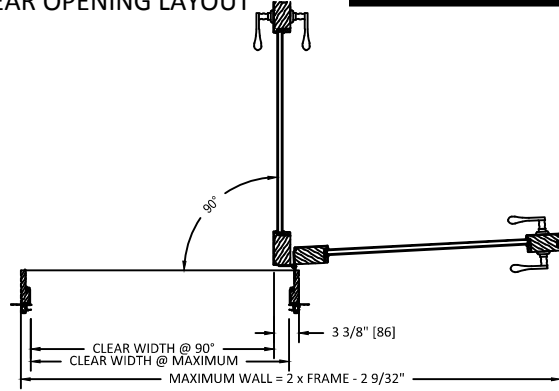
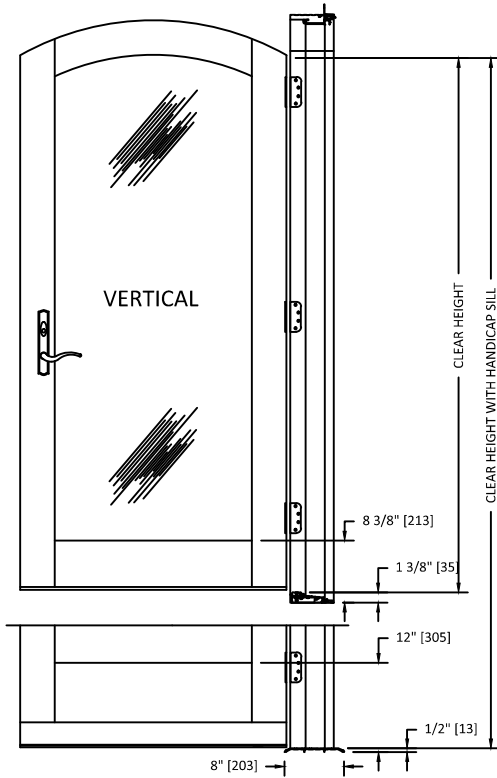


Panel Callout	Panel Width
2-0 Retro	21-7/8
2-6 Retro	27-7/8
2-8 Retro	29-7/8
3-0 Retro	33-7/8
2-0 True	23-7/8
2-6 True	29-7/8
2-8 True	31-7/8
3-0 True	35-7/8
3-6 True	41-7/8



CUSTOM CLAD PATIO DOOR
CUSTOM IN-SWING PATIO DOOR (2-1/4")

RADIUS CLEAR OPENING LAYOUT

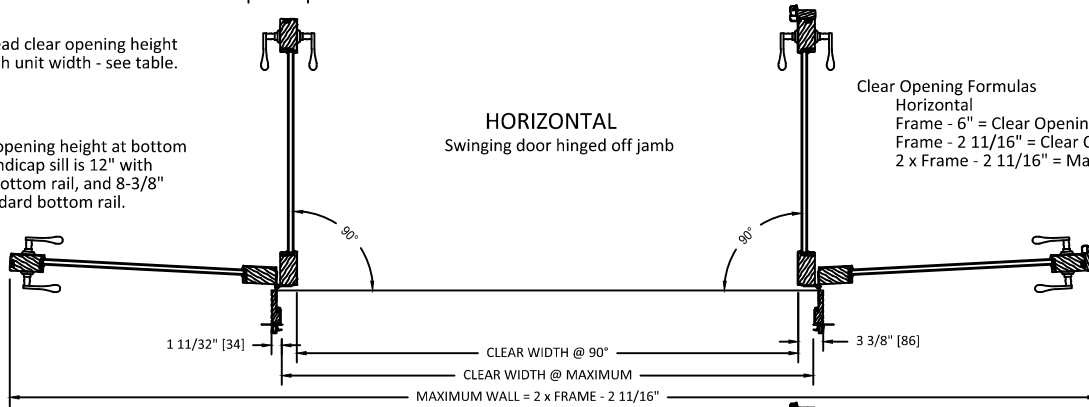


HORIZONTAL
Swinging door hinged off jamb

Clear Opening Formulas
Horizontal
Frame - 4 5/16" = Clear Opening @ 90°
Frame - 2 11/16" = Clear Opening @ Maximum
2 x Frame - 2 9/32" = Maximum Wall

Vertical
Radius head clear opening height varies with unit width - see table.

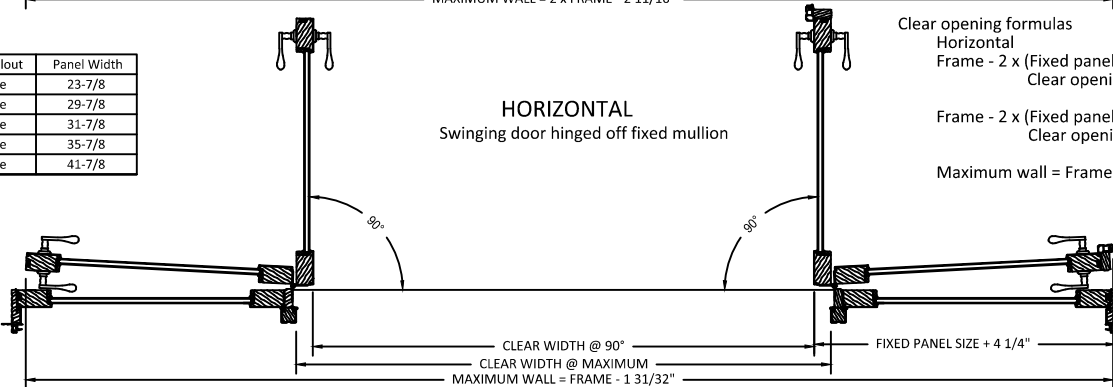
Daylight opening height at bottom rail to handicap sill is 12" with 10-1/4" bottom rail, and 8-3/8" with standard bottom rail.



HORIZONTAL
Swinging door hinged off jamb

Clear Opening Formulas
Horizontal
Frame - 6" = Clear Opening @ 90°
Frame - 2 11/16" = Clear Opening @ Maximum
2 x Frame - 2 11/16" = Maximum Wall

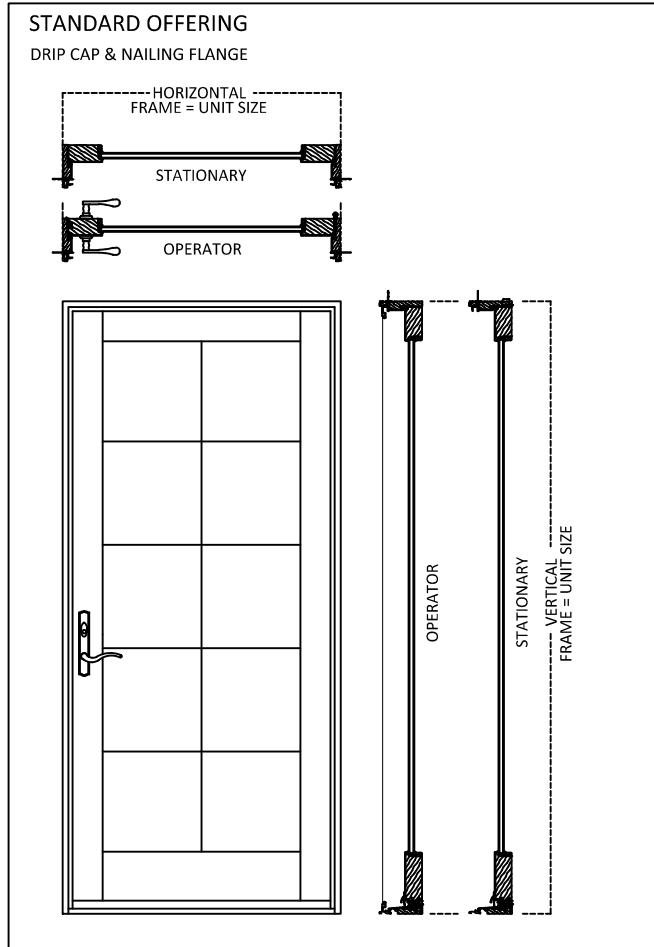
Panel Callout	Panel Width
2-0 True	23-7/8
2-6 True	29-7/8
2-8 True	31-7/8
3-0 True	35-7/8
3-6 True	41-7/8



HORIZONTAL
Swinging door hinged off fixed mullion

Clear opening formulas
Horizontal
Frame - 2 x (Fixed panel size + 4 1/4") = Clear opening @ 90°
Frame - 2 x (Fixed panel size + 2 7/16") = Clear opening @ maximum
Maximum wall = Frame size - 1 31/32"

UNIT SIZING, ROUGH OPENINGS & MASONRY OPENINGS



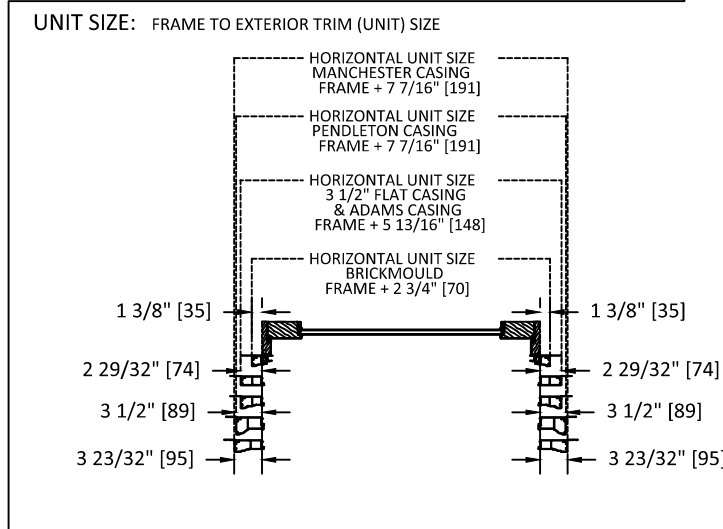
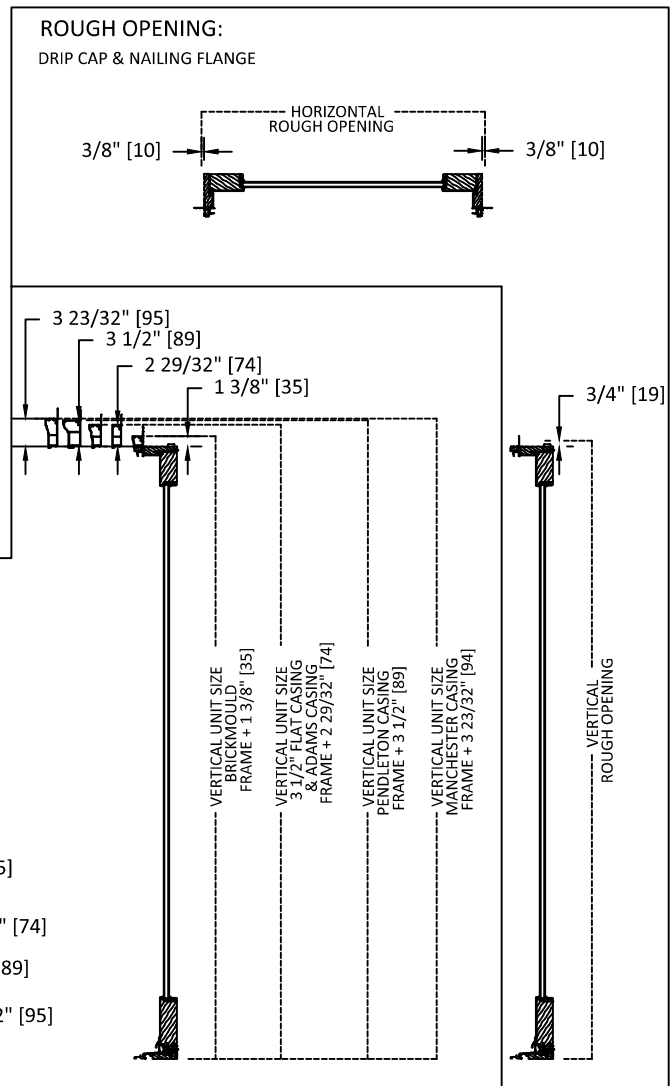
GENERAL NOTES:

UNITS WITH NO EXTERIOR TRIM OR DRIP CAP & NAILING FLANGE: FRAME SIZE = UNIT SIZE

UNIT SIZE IS ALWAYS THE EXTREME SIZE OF THE DOOR WITH OR WITHOUT TRIM (DRIP CAP & NAILING FLANGE ARE NOT ADDED TO ANY UNIT SIZING)

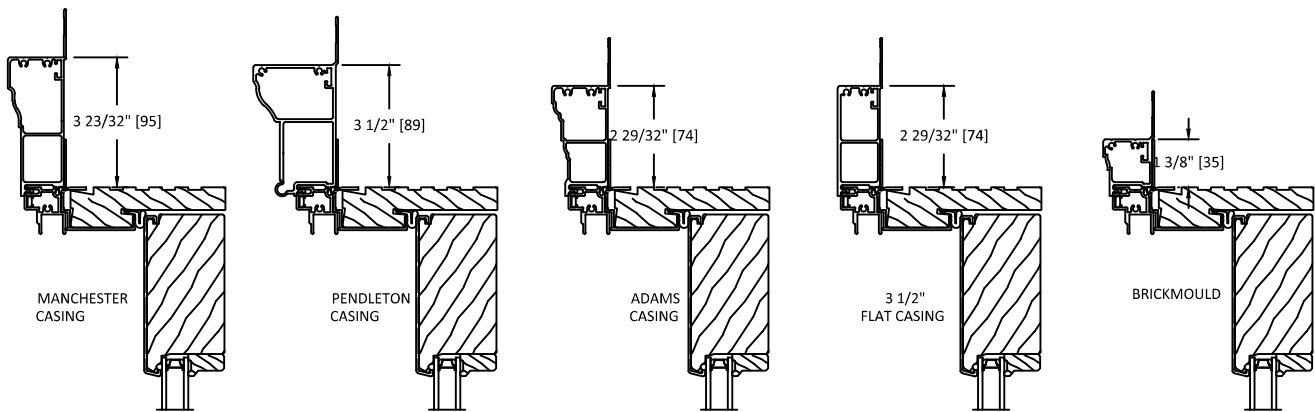
ROUGH OPENING IS ALWAYS 3/4" OVER FRAME SIZE OF THE DOOR

MASONRY OPENING IS ALWAYS 1/2" OVER THE UNIT SIZE OF THE DOOR

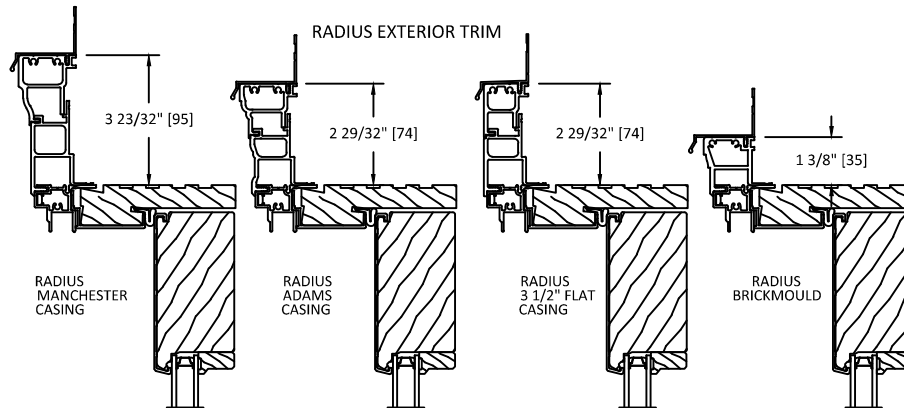


TRIM OPTIONS

EXTERIOR TRIM

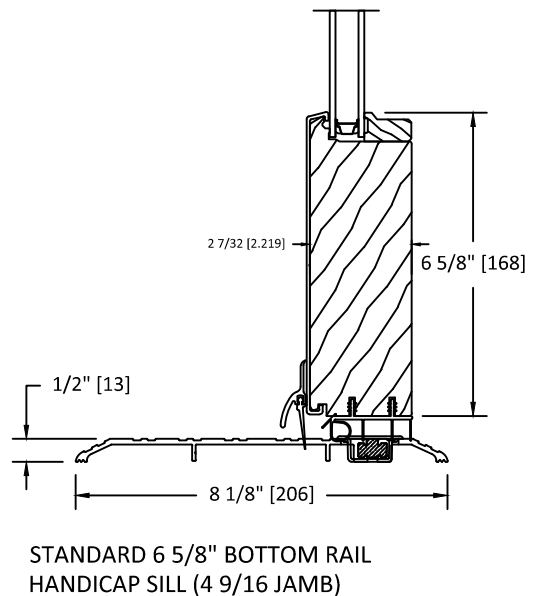
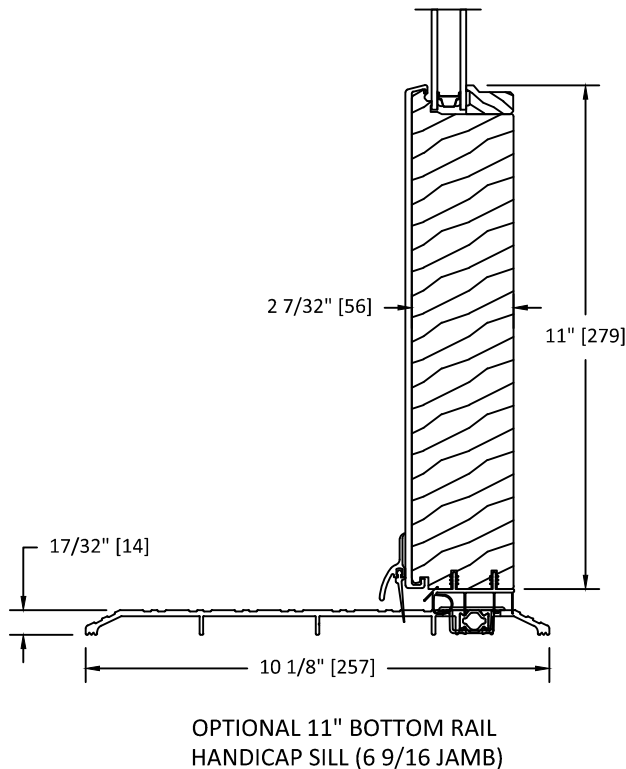
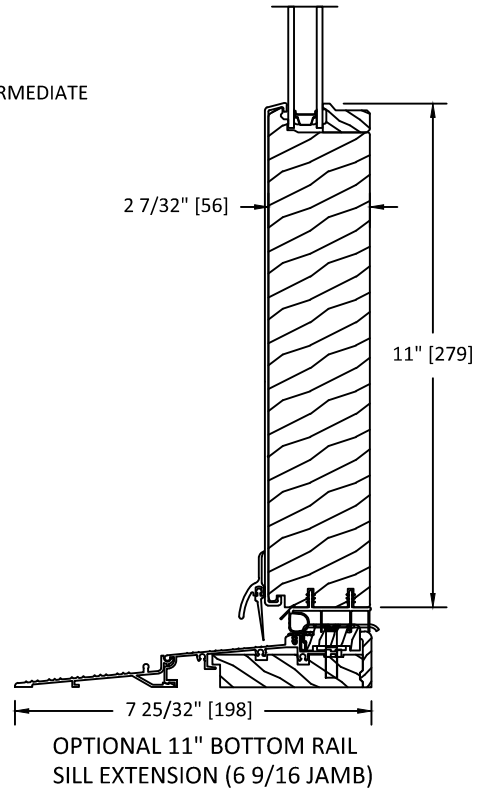
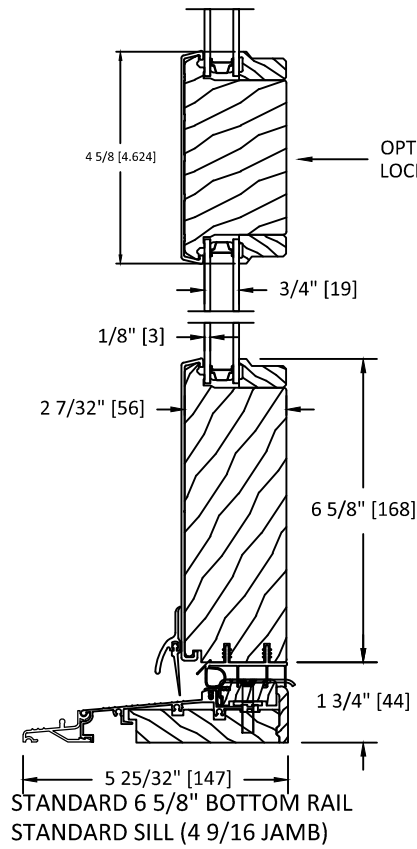


RADIUS EXTERIOR TRIM

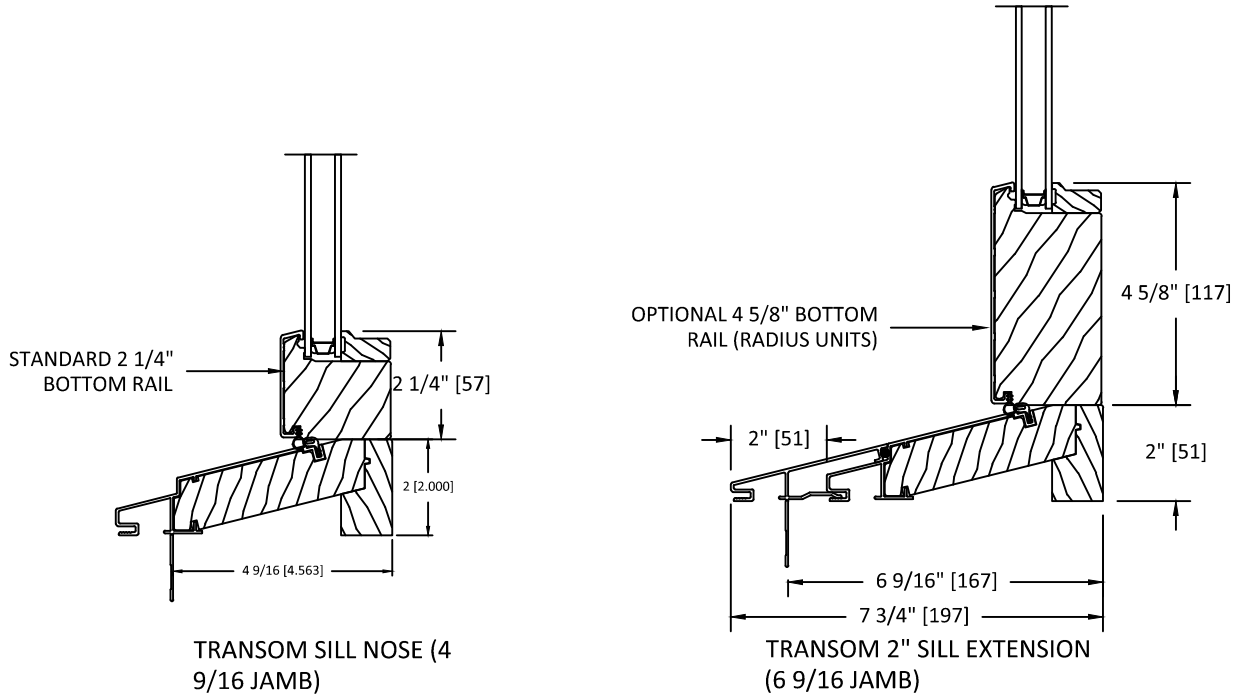


CUSTOM CLAD PATIO DOOR
CUSTOM IN-SWING PATIO DOOR (2-1/4")

RAIL, PANEL & SILL OPTIONS



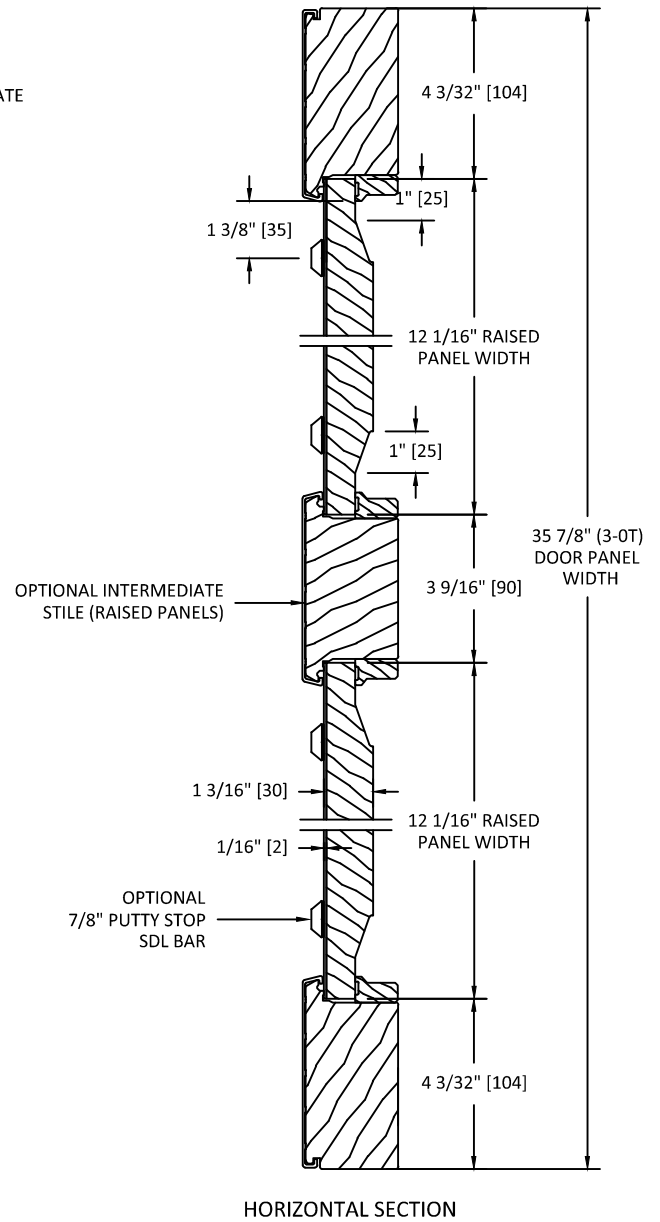
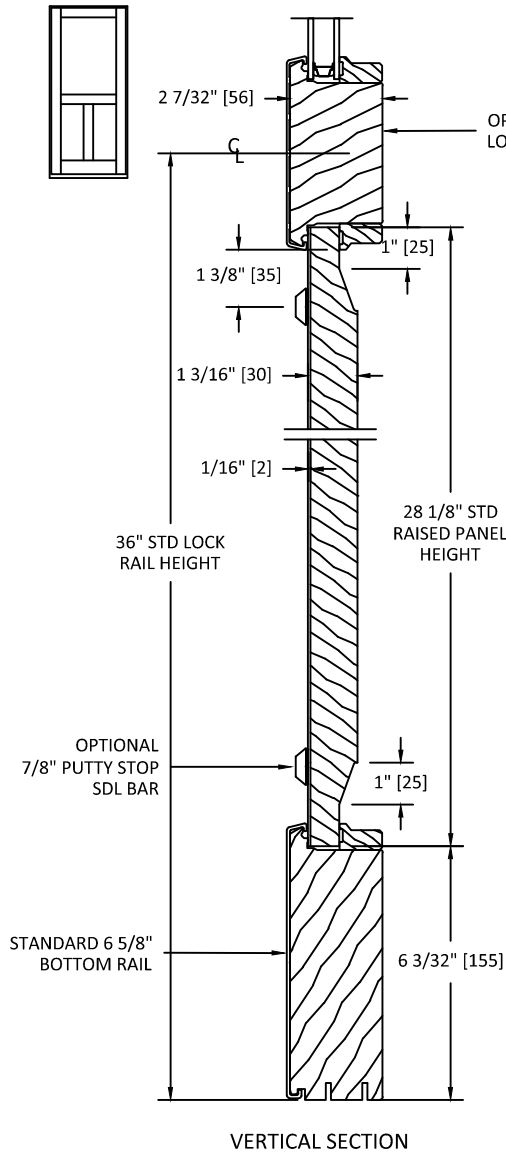
RAIL, PANEL & SILL OPTIONS



NOTE: SILL NOSE CAN BE USED WITH ALL STANDARD TRIM OPTIONS.

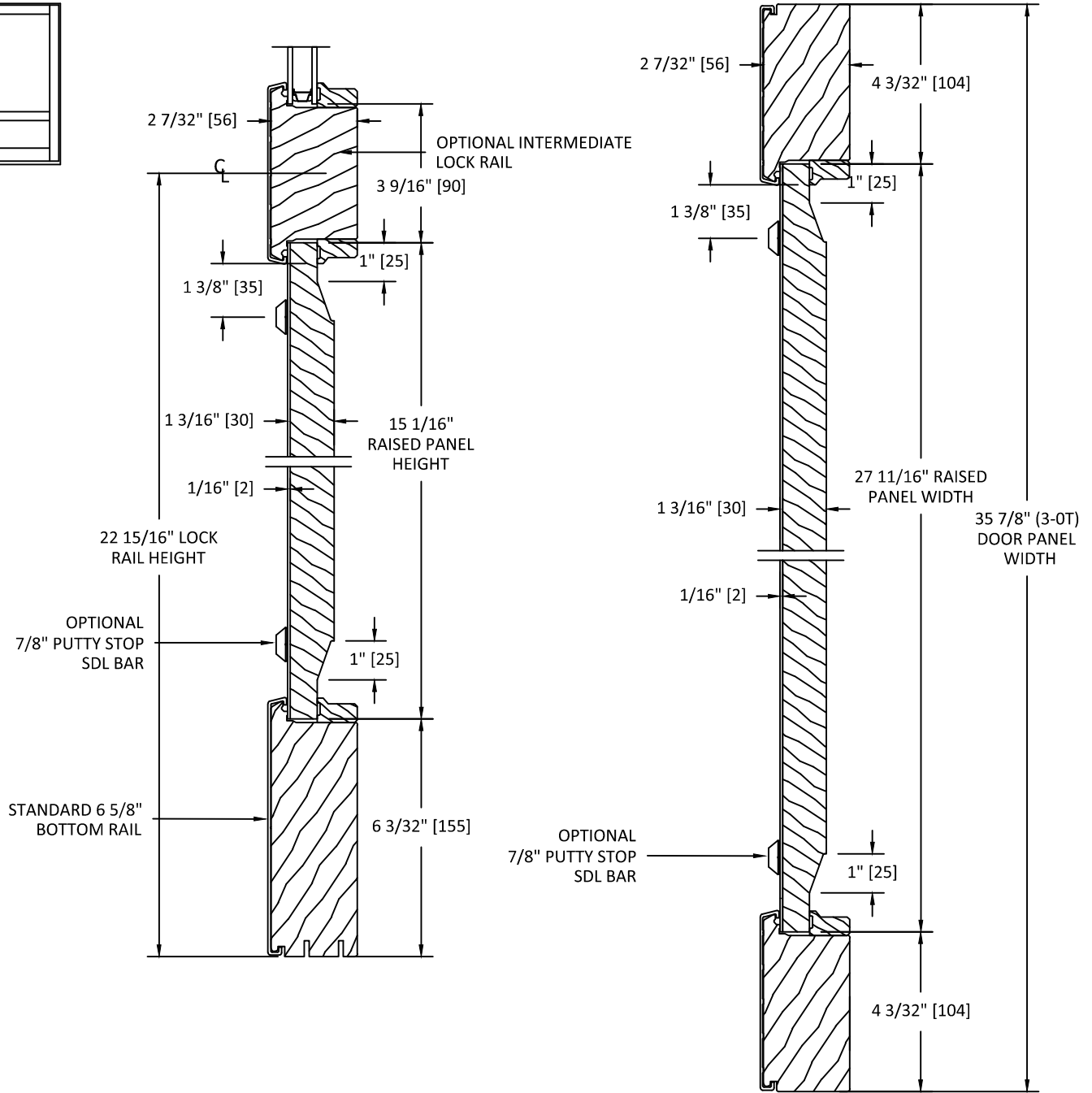
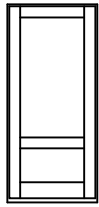
CUSTOM CLAD PATIO DOOR
CUSTOM IN-SWING PATIO DOOR (2-1/4")

RAIL, PANEL & SILL OPTIONS
STANDARD RAISED PANEL OPTIONS

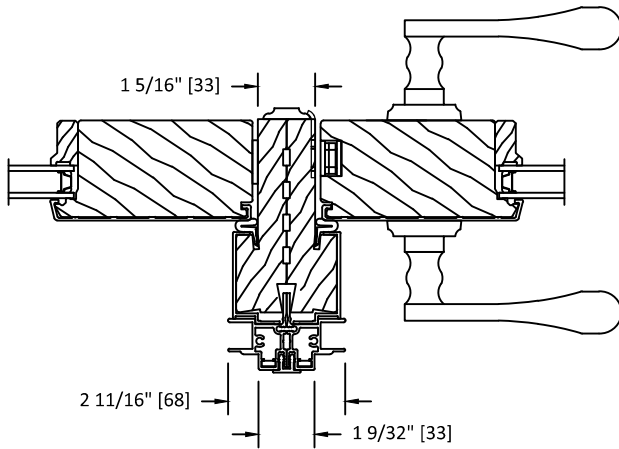


CUSTOM CLAD PATIO DOOR
CUSTOM IN-SWING PATIO DOOR (2-1/4")

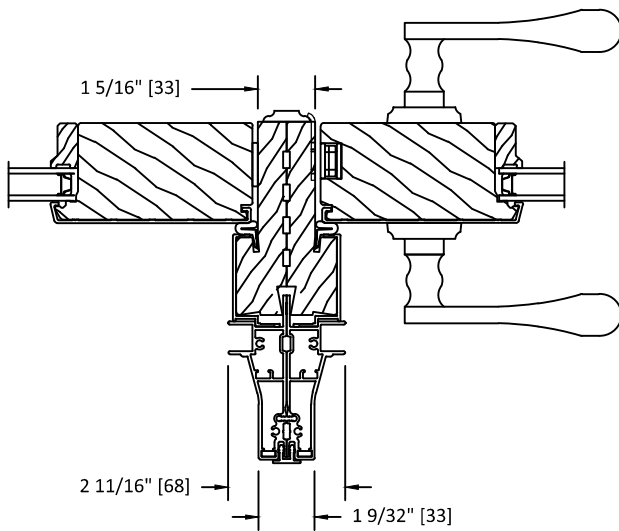
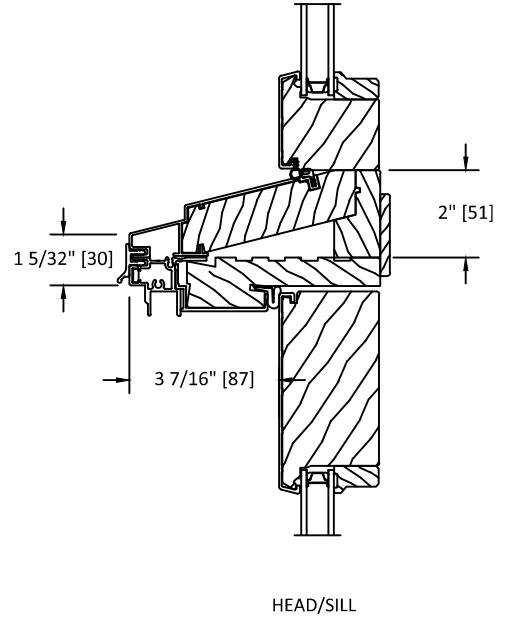
RAIL, PANEL & SILL OPTIONS
OPTIONAL RAISED PANEL OPTIONS



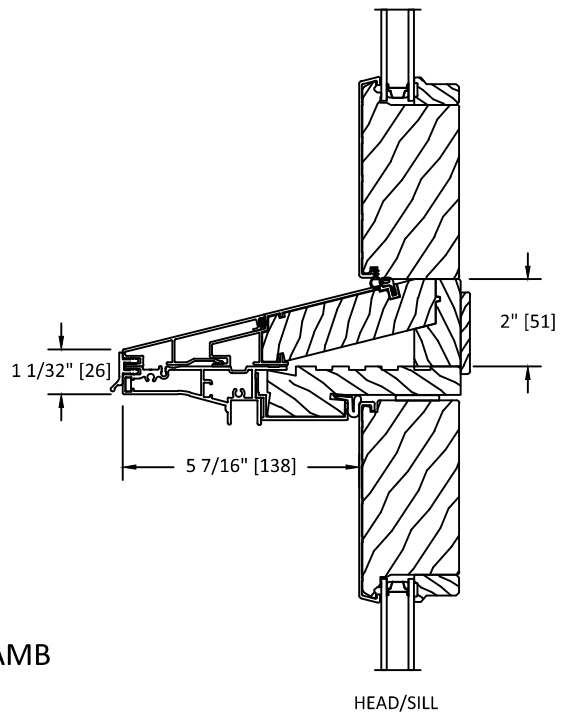
STANDARD MULLION DETAILS



4 9/16" JAMB

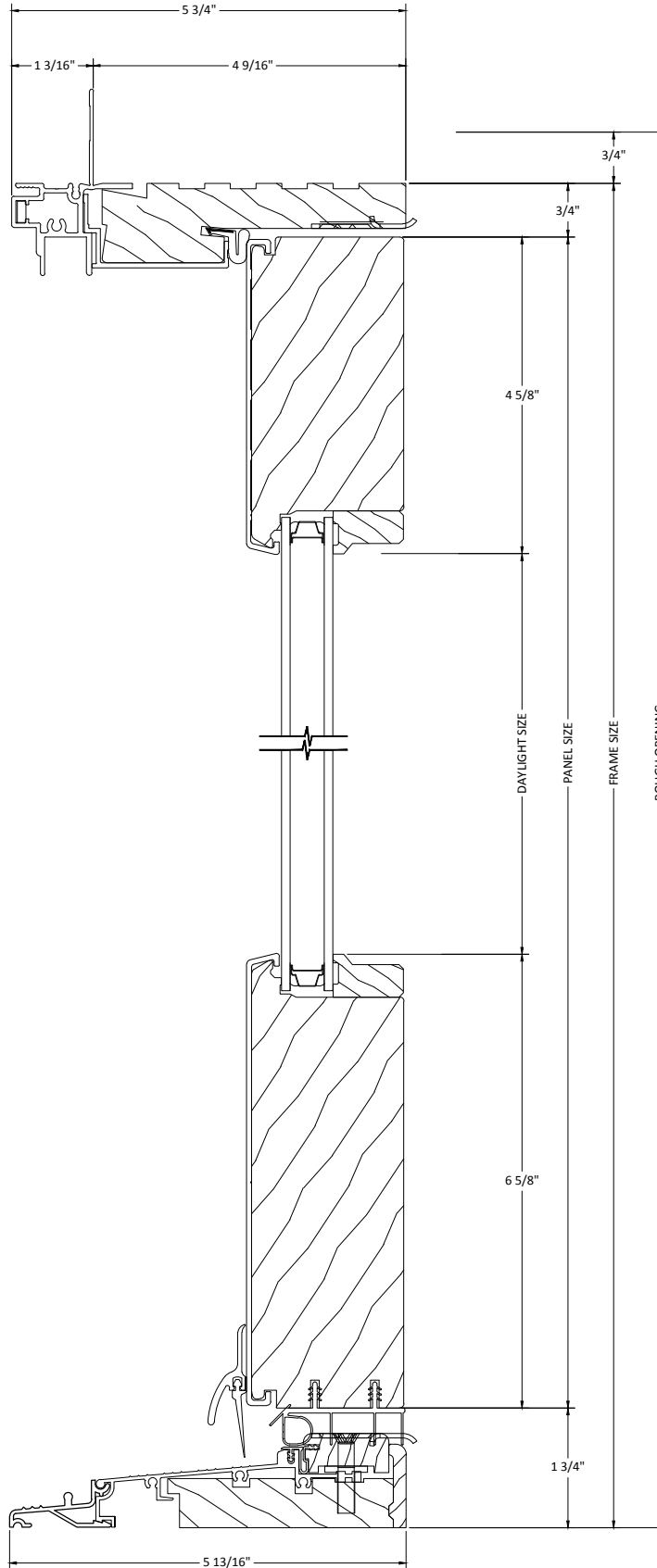


6 9/16" JAMB



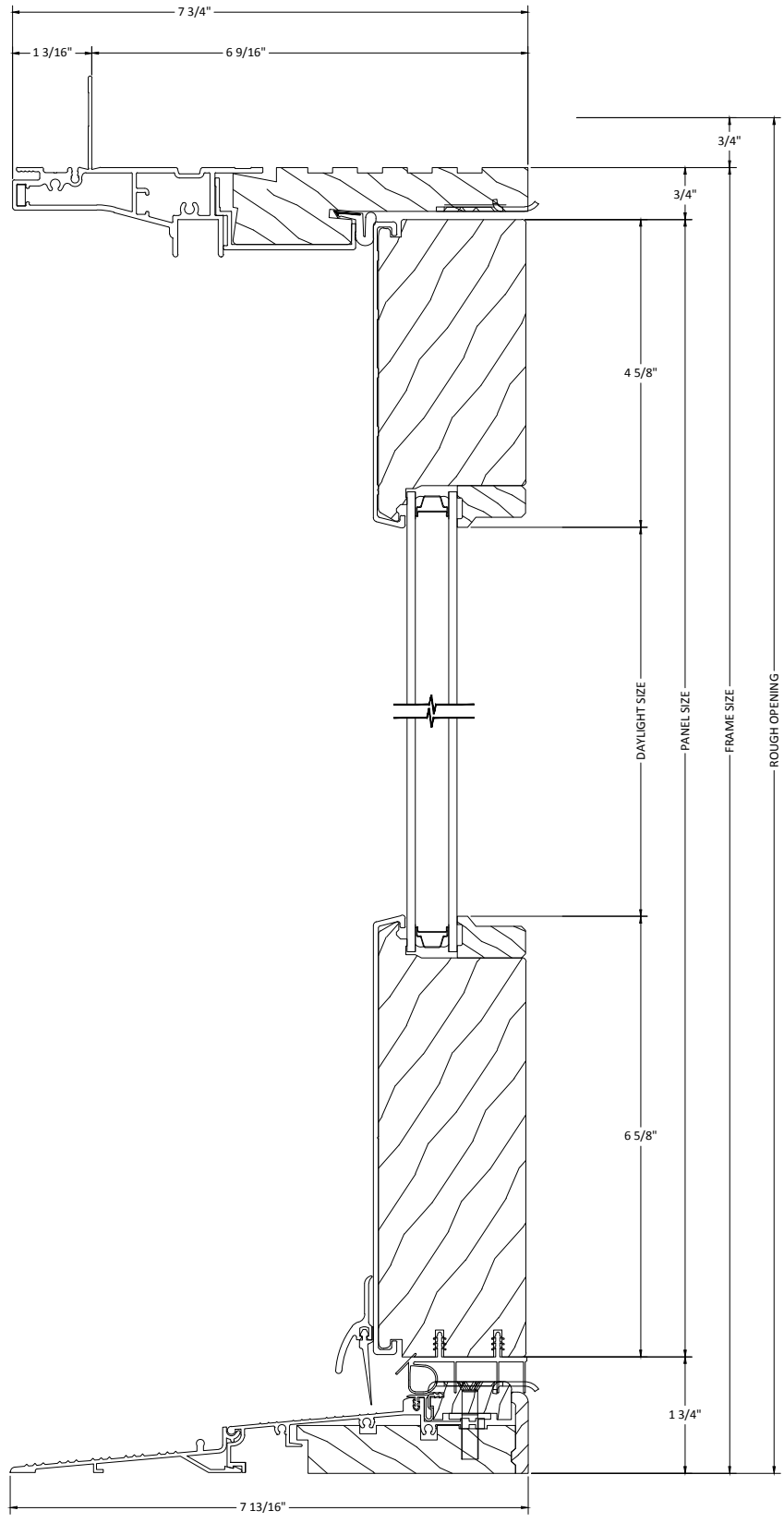
CUSTOM CLAD PATIO DOOR
CUSTOM IN-SWING PATIO DOOR (2-1/4")

VERTICAL SECTION
OPERATING UNIT (4-9/16" JAMB)



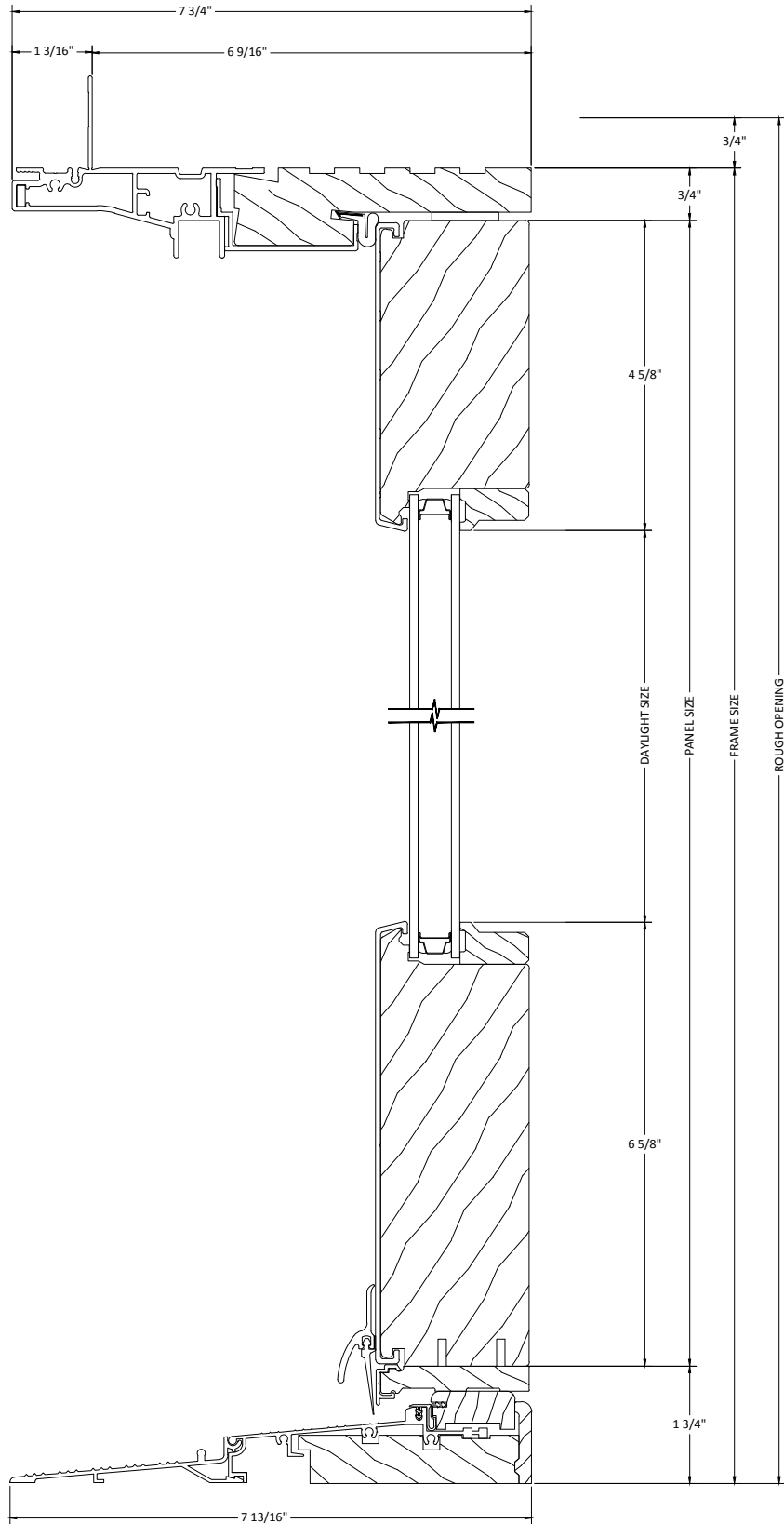
CUSTOM CLAD PATIO DOOR
CUSTOM IN-SWING PATIO DOOR (2-1/4")

HORIZONTAL SECTION
SINGLE PANEL OPERATING UNIT (6-9/16" JAMB)



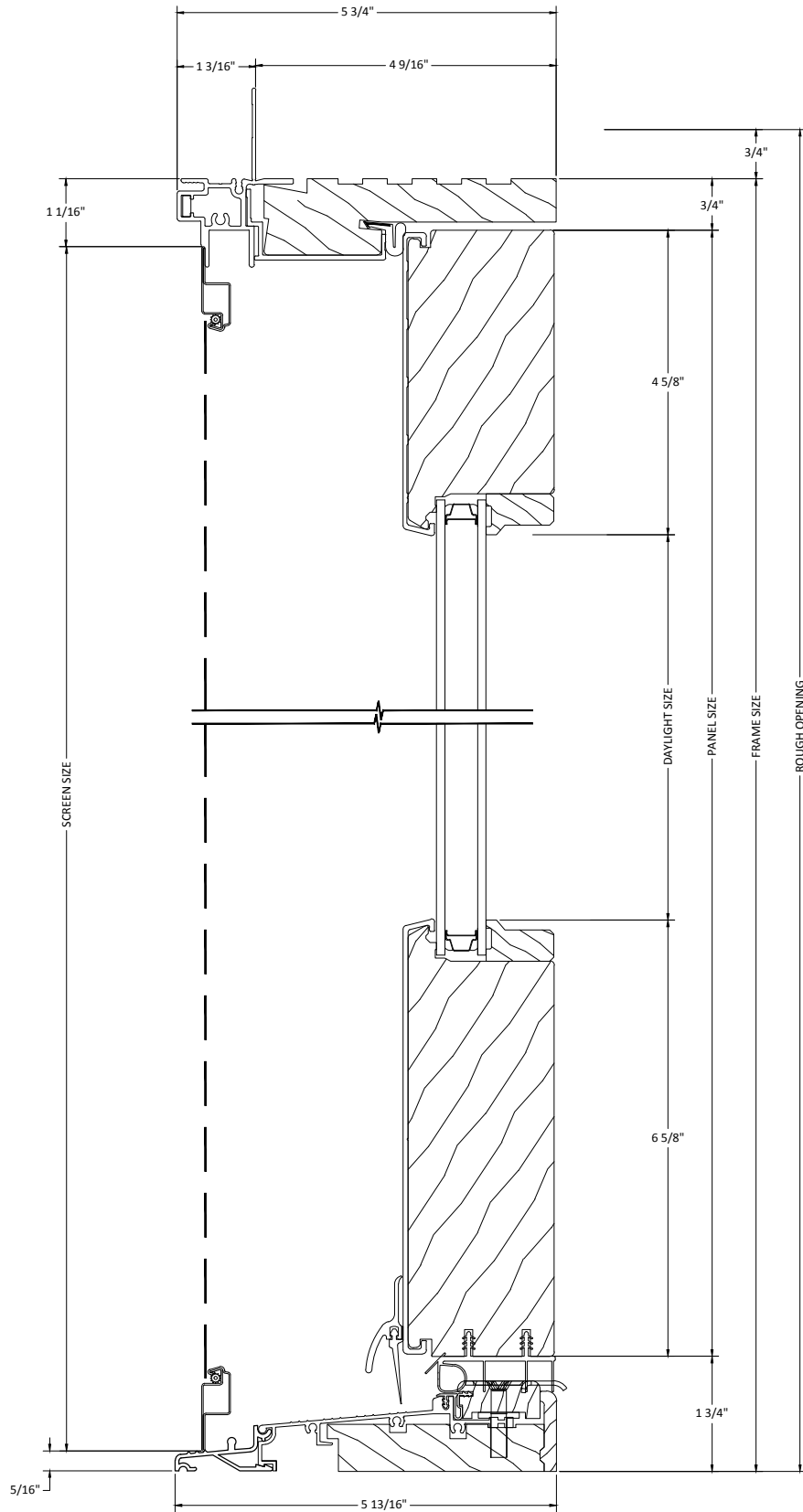
CUSTOM CLAD PATIO DOOR
CUSTOM IN-SWING PATIO DOOR (2-1/4")

HORIZONTAL SECTION
SINGLE PANEL STATIONARY UNIT (6-9/16" JAMB)



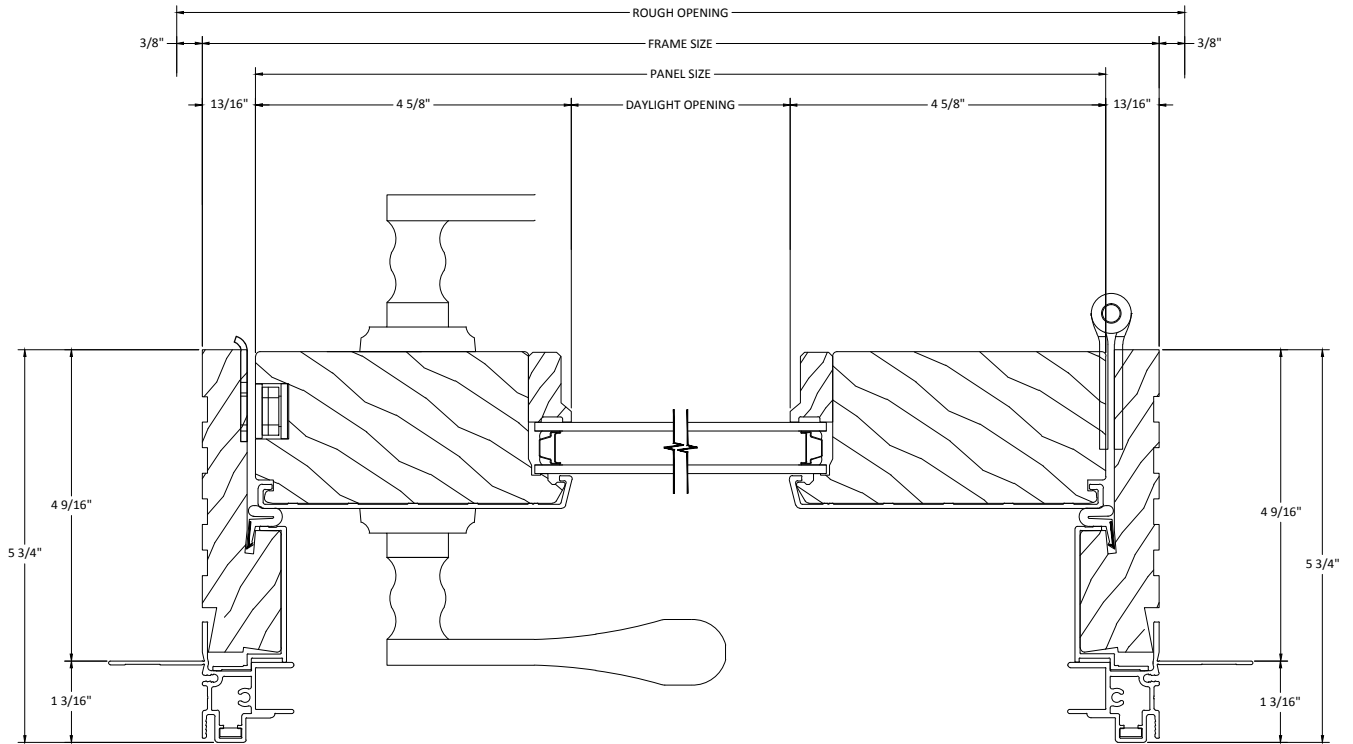
CUSTOM CLAD PATIO DOOR
CUSTOM IN-SWING PATIO DOOR (2-1/4")

VERTICAL SECTION
VENTING SIDELITE (4-9/16" JAMB)



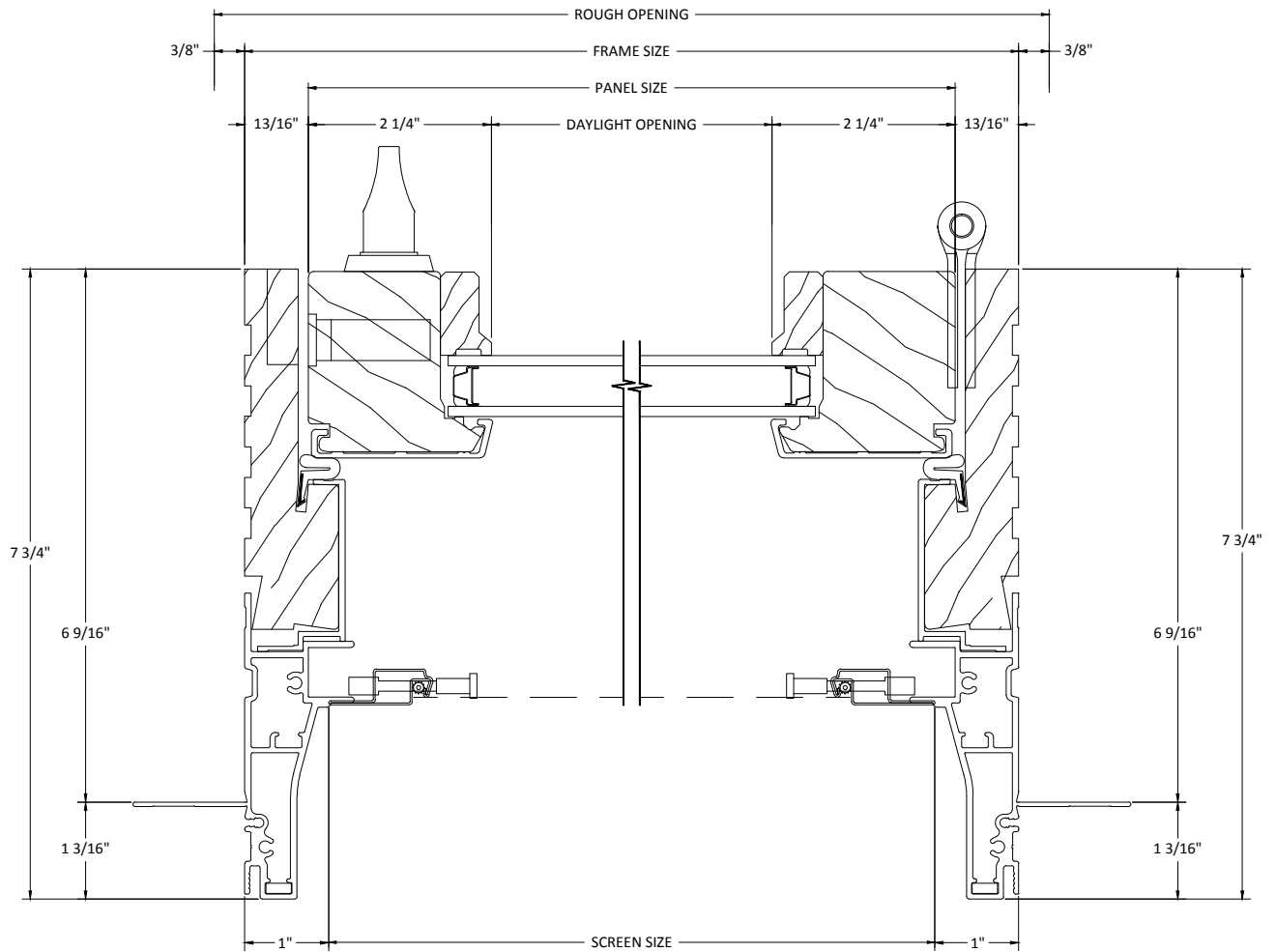
CUSTOM CLAD PATIO DOOR
CUSTOM IN-SWING PATIO DOOR (2-1/4")

HORIZONTAL SECTION
OPERATING SINGLE DOOR (4-9/16" JAMB)



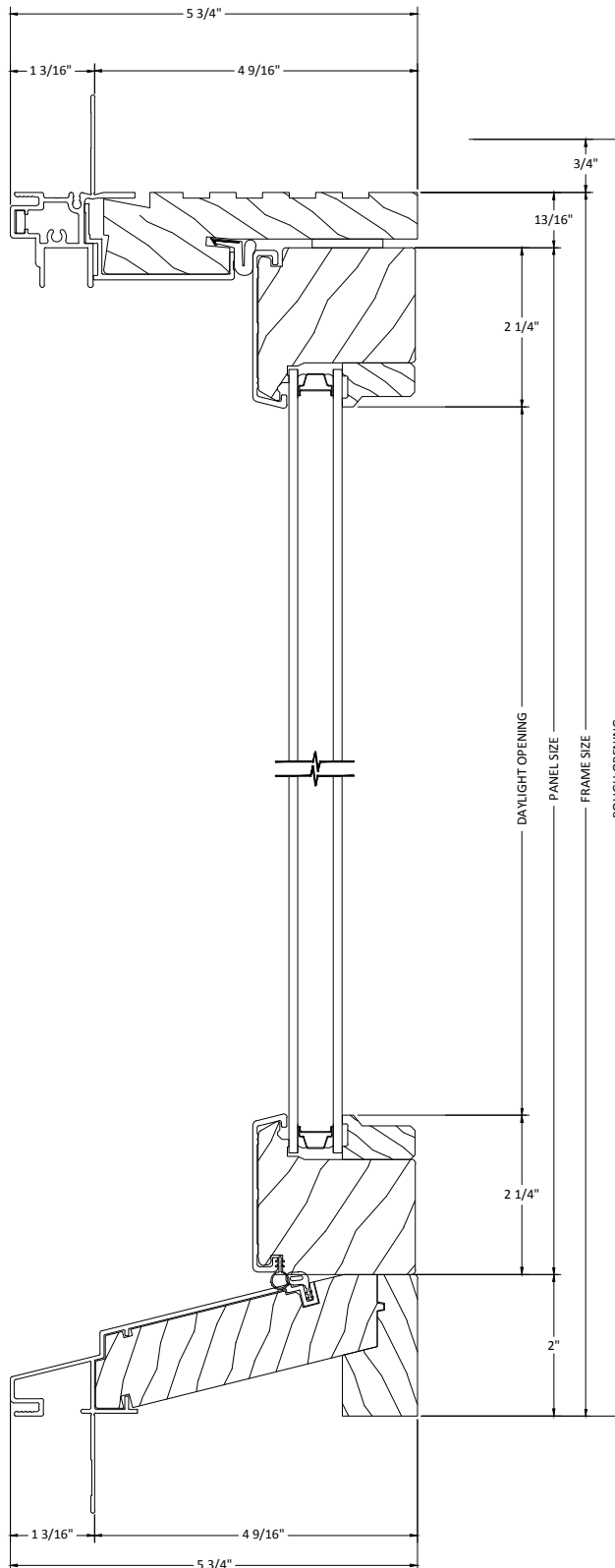
CUSTOM CLAD PATIO DOOR
CUSTOM IN-SWING PATIO DOOR (2-1/4")

HORIZONTAL SECTION
VENTING SIDELITE (4-9/16" JAMB)



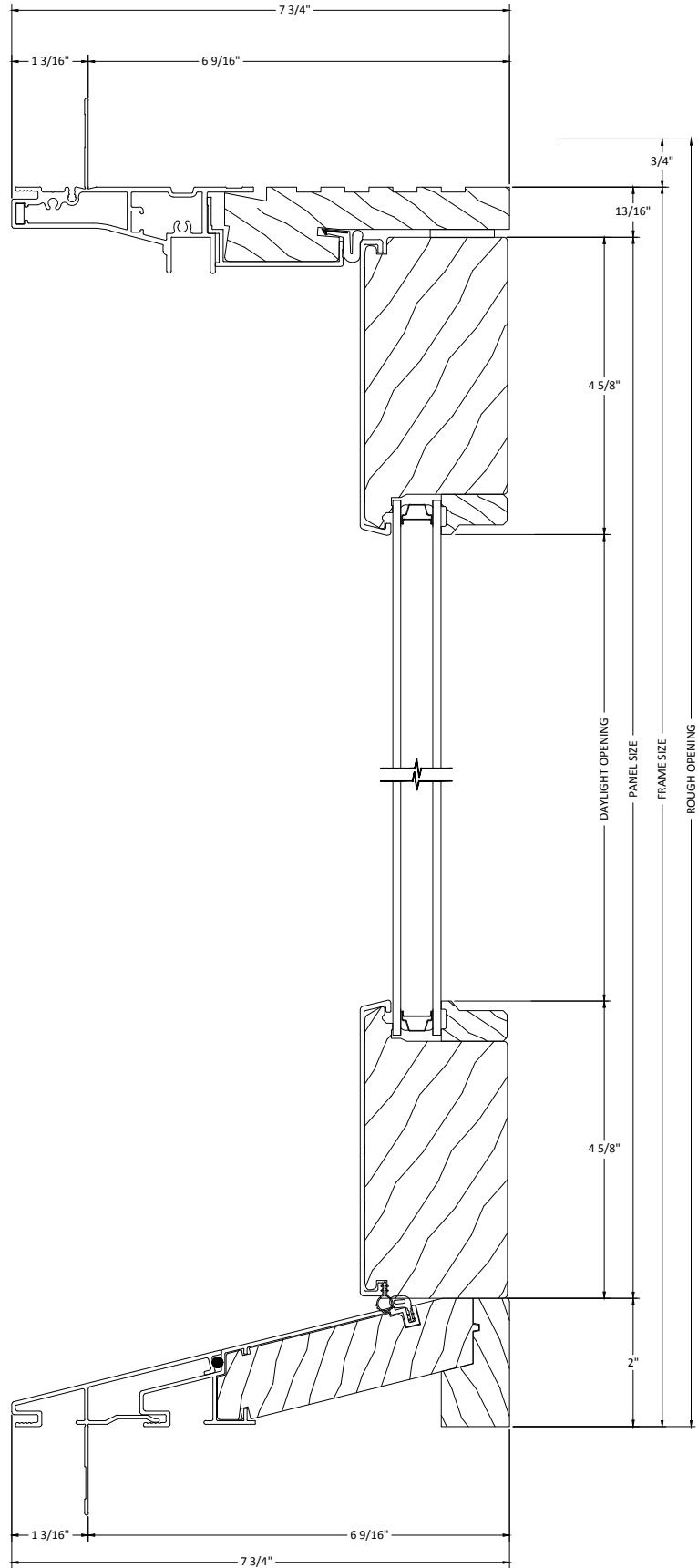
CUSTOM CLAD PATIO DOOR
CUSTOM IN-SWING PATIO DOOR (2-1/4")

VERTICAL SECTION
TRANSOM - NARROW RAILS (4 9/16" JAMB)



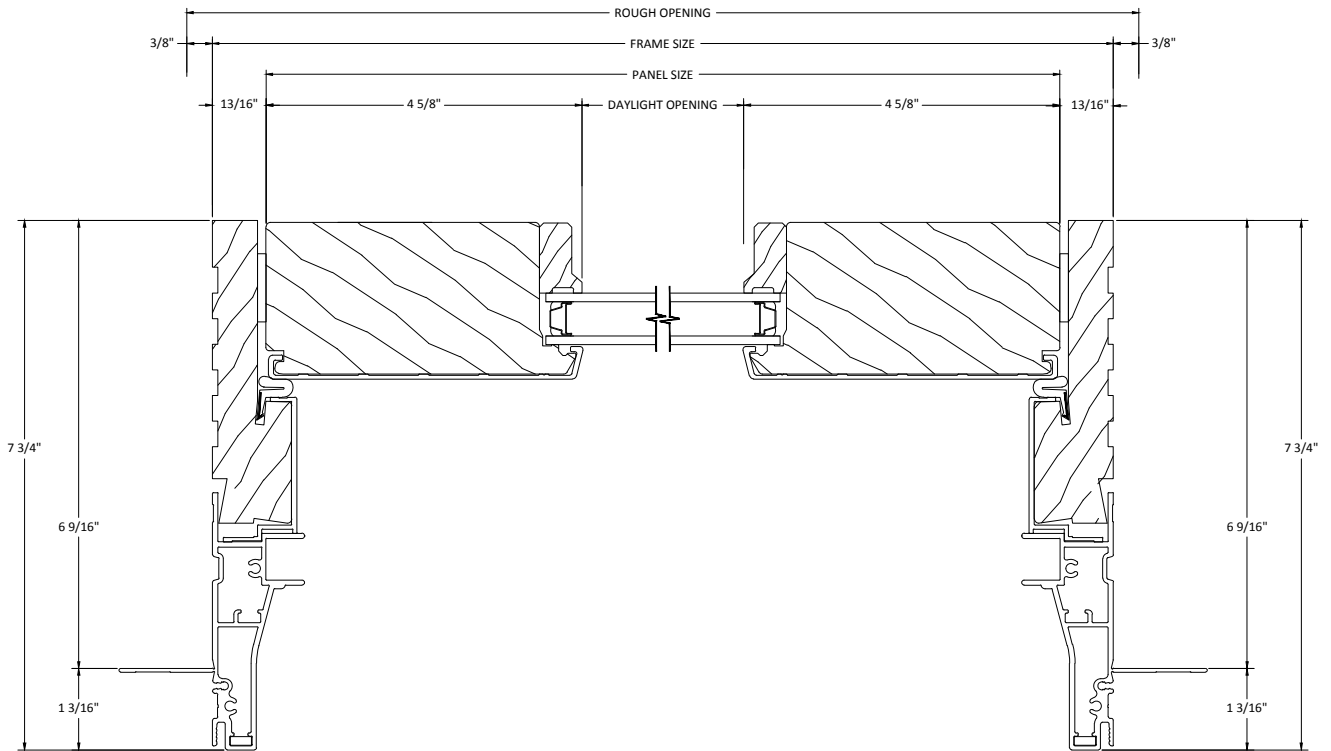
CUSTOM CLAD PATIO DOOR
CUSTOM IN-SWING PATIO DOOR (2-1/4")

TRANSOM - WIDE RAILS (6-9/16" JAMB)



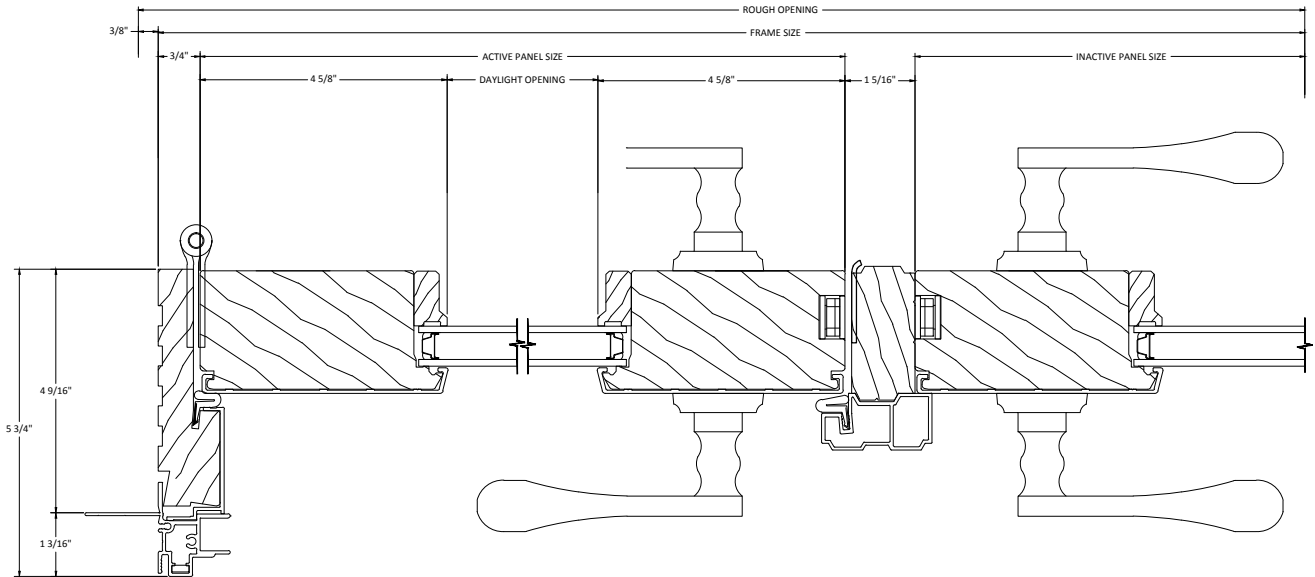
CUSTOM CLAD PATIO DOOR
CUSTOM IN-SWING PATIO DOOR (2-1/4")

HORIZONTAL SECTION
SINGLE SASH TRANSOM (6-9/16" JAMB)



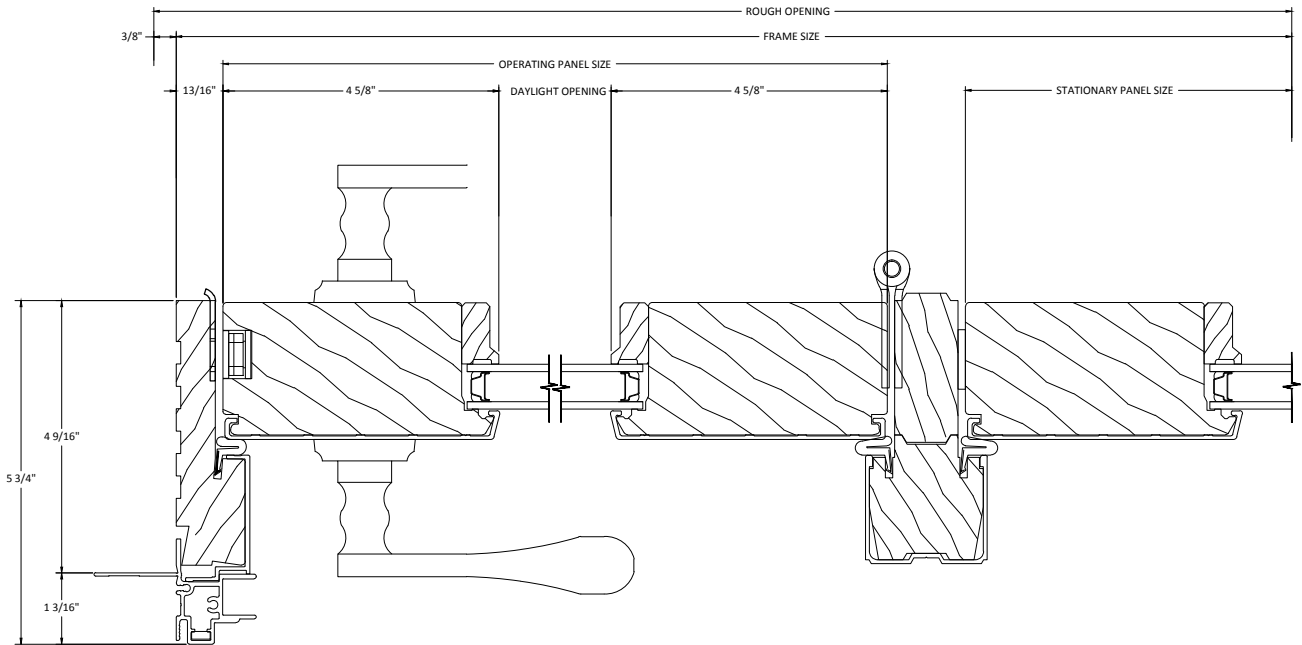
CUSTOM CLAD PATIO DOOR
CUSTOM IN-SWING PATIO DOOR (2-1/4")

HORIZONTAL SECTION
FRENCH DOOR UNIT (4-9/16" JAMB)



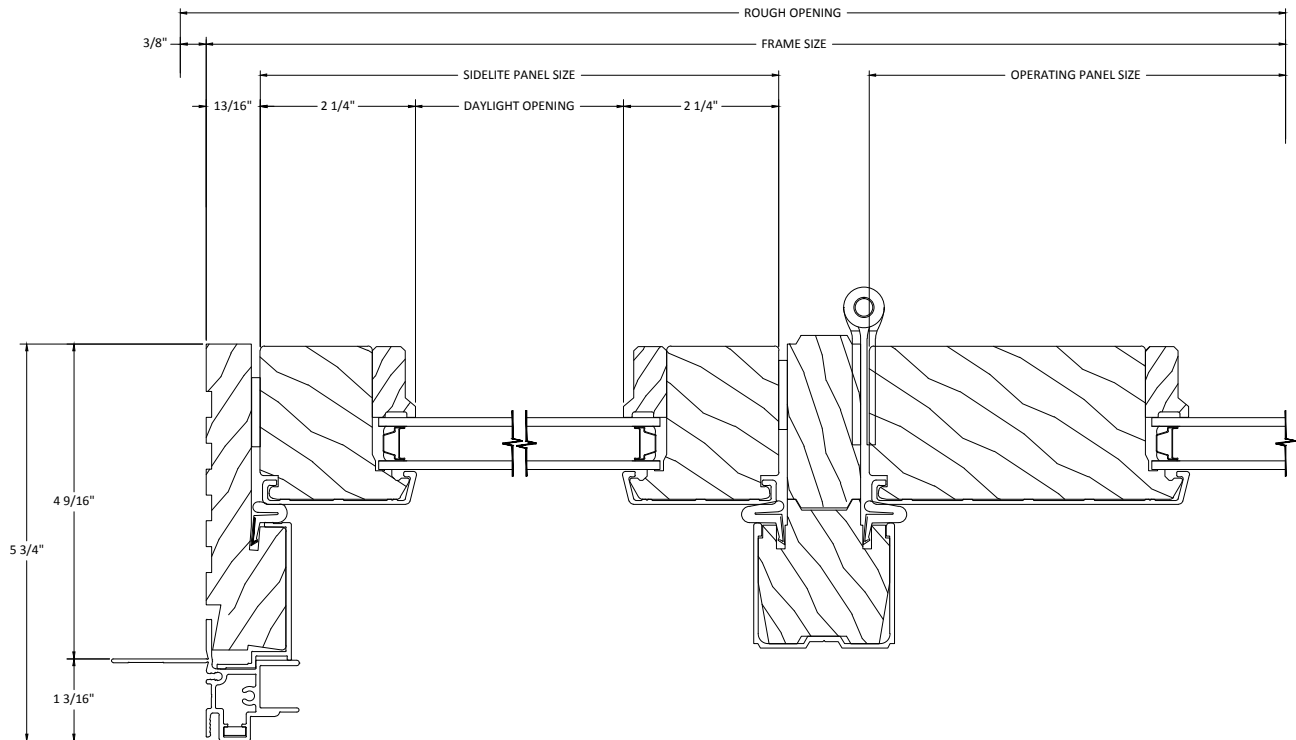
CUSTOM CLAD PATIO DOOR
CUSTOM IN-SWING PATIO DOOR (2-1/4")

HORIZONTAL SECTION
2 - PANEL SINGLE OPERATING UNIT



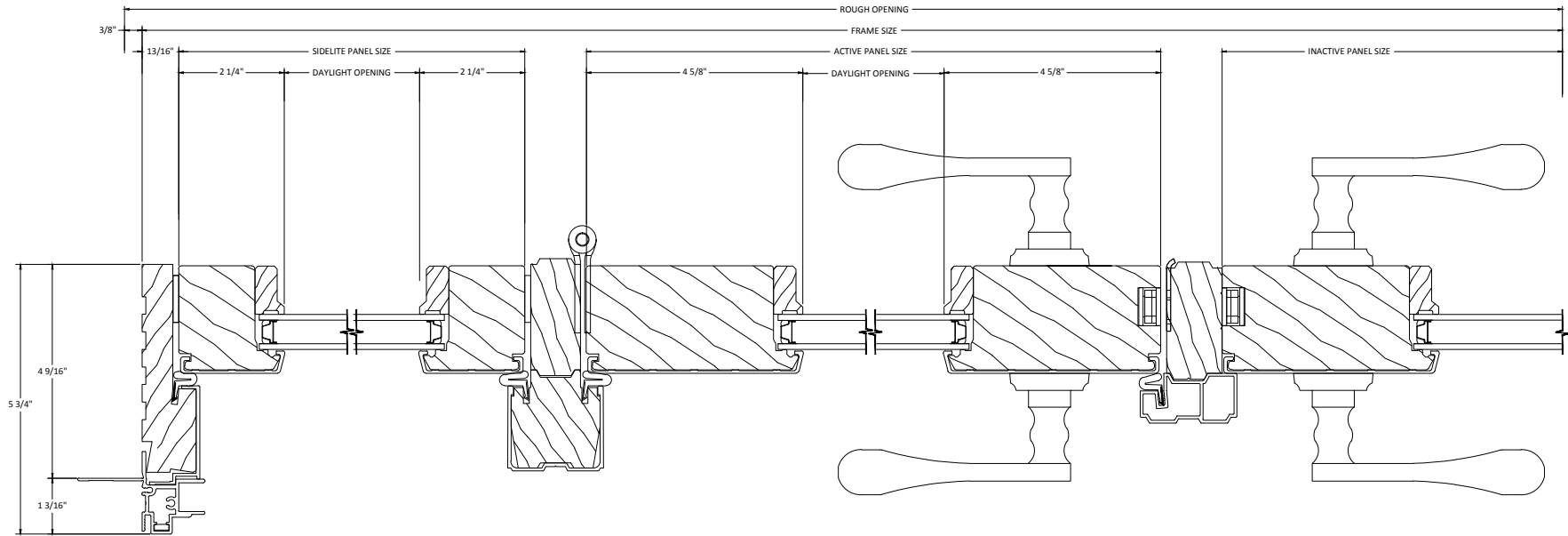
CUSTOM CLAD PATIO DOOR
CUSTOM IN-SWING PATIO DOOR (2-1/4")

HORIZONTAL SECTION
SINGLE OPERATING UNIT WITH SIDELIGHT
(4-9/16" JAMB)



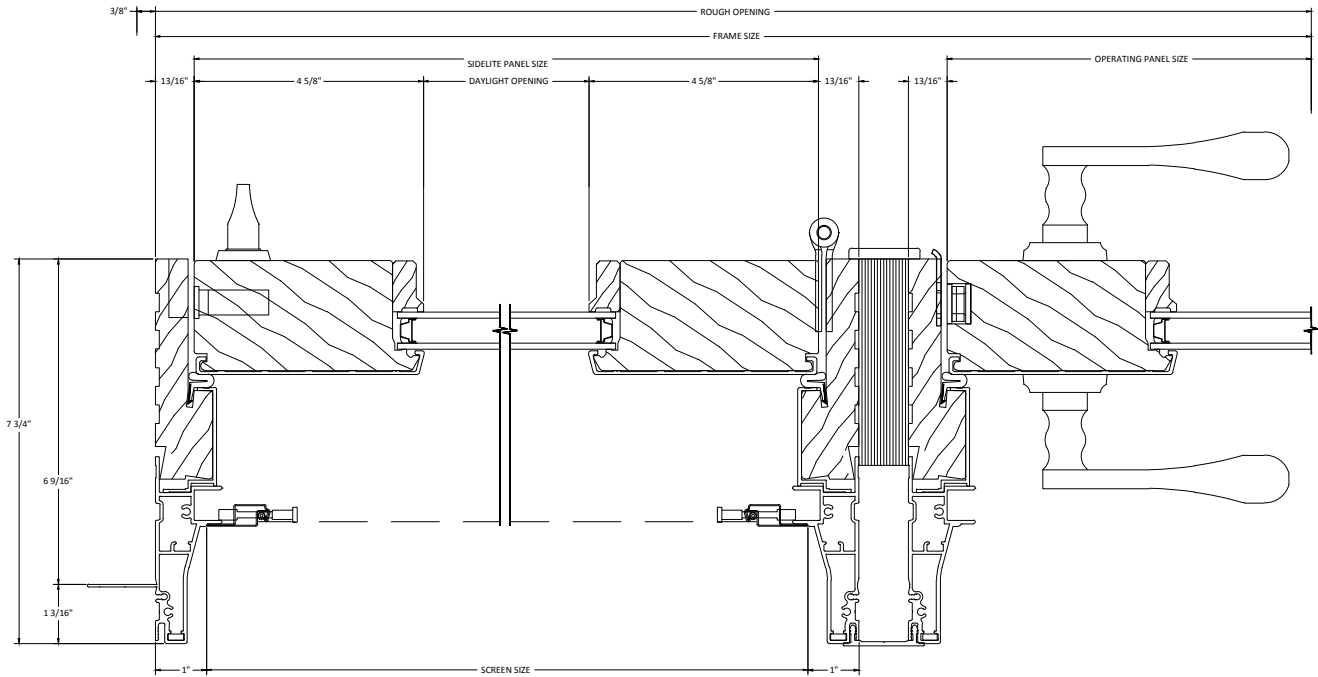
CUSTOM CLAD PATIO DOOR
CUSTOM IN-SWING PATIO DOOR (2-1/4")

HORIZONTAL SECTION
FRENCH UNIT WITH SIDELITES (4-9/16" JAMB)



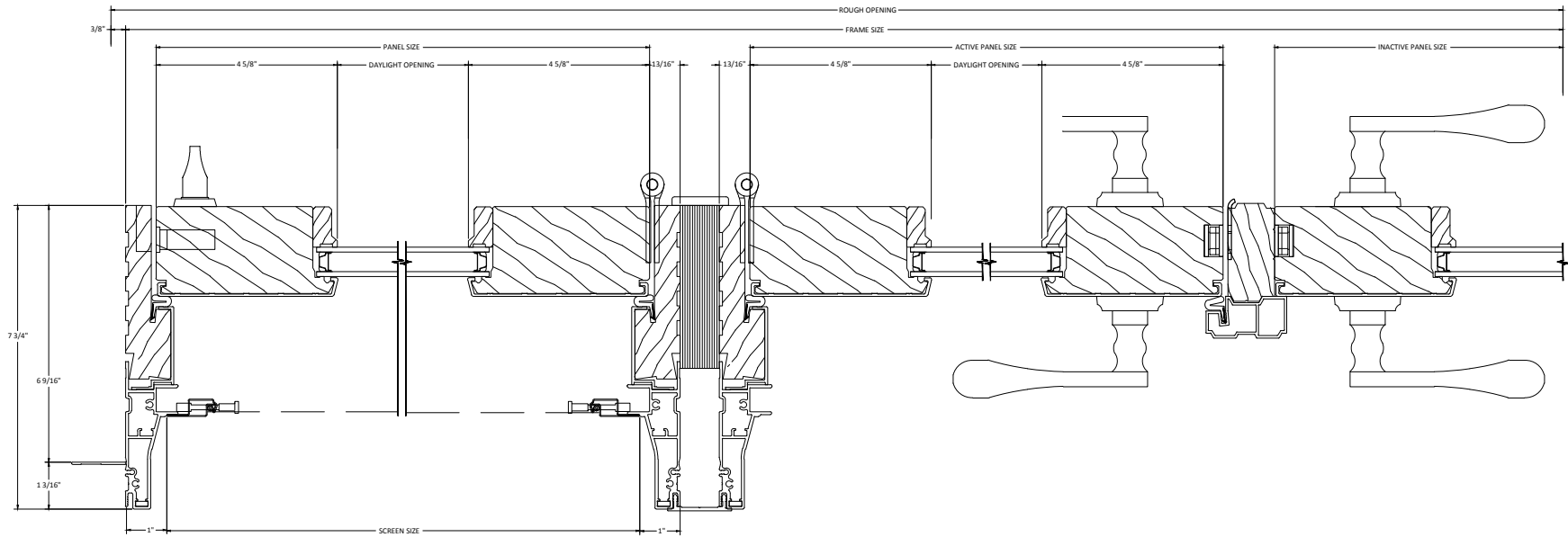
CUSTOM CLAD PATIO DOOR
CUSTOM IN-SWING PATIO DOOR (2-1/4")

HORIZONTAL SECTION
SINGLE PANEL STRUCTURAL MULLION
WITH VENTING SIDELITES

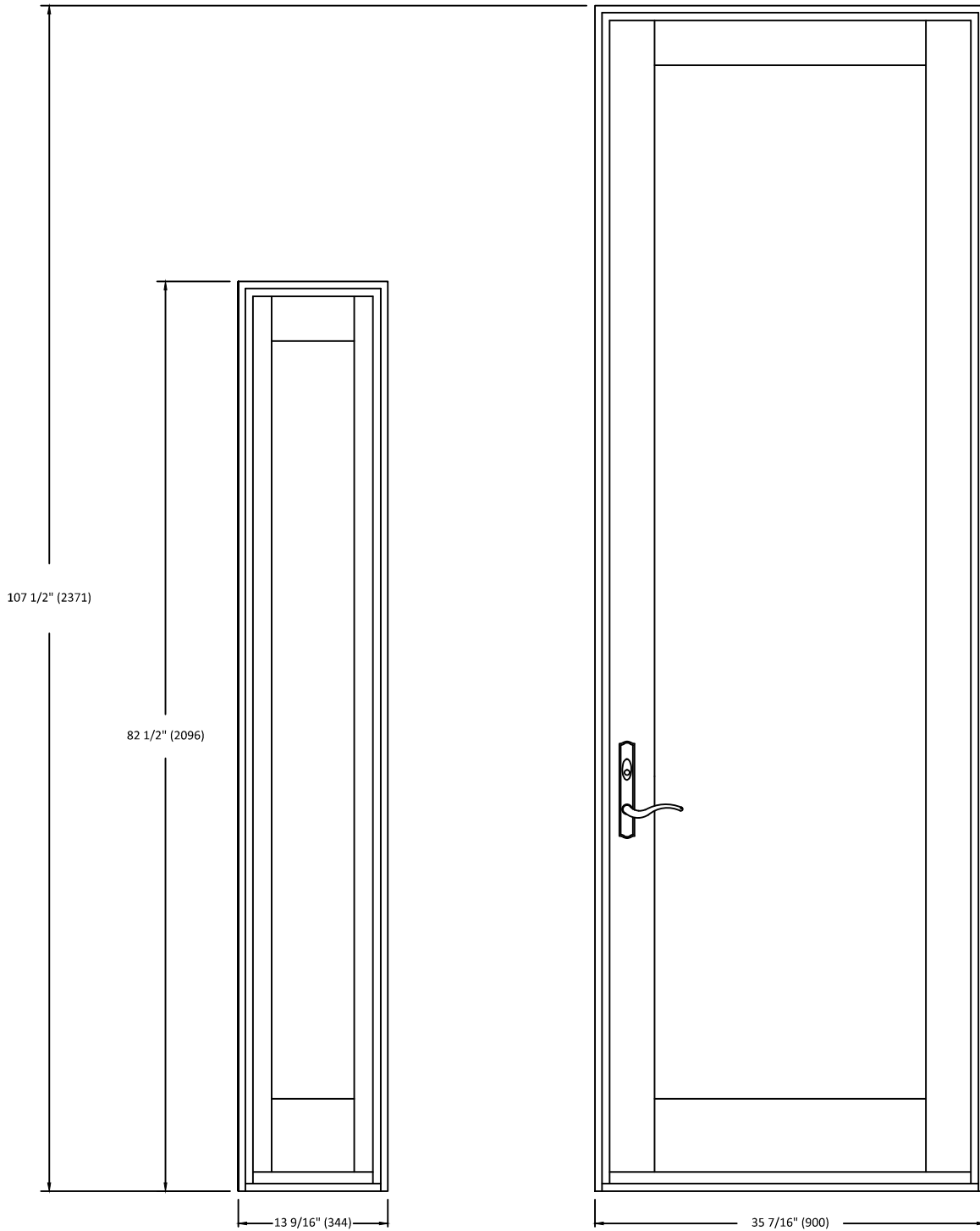


CUSTOM CLAD PATIO DOOR
CUSTOM IN-SWING PATIO DOOR (2-1/4")

HORIZONTAL SECTION
FRENCH DOOR STRUCTURAL MULLION
WITH VENTING SIDELITES



STANDARD MULLION DETAILS



Standard widths for the Custom Swinging Patio Door 1 Panel:
 13 9/16"(344mm), 15 9/16"(395mm), 17 7/16"(446mm), 23 7/16"(595mm), 25 7/16"(646mm),
 29 7/16"(748mm), 31 7/16" (799), 33 7/16" (849mm), 35 7/16"(900mm), 37 7/16" (951mm), 43 7/16" (1103mm).

Standard heights for the Custom Swinging Patio Door 1 Panel:
 79 1/2"(2019mm), 82 1/2" (2096mm), 86 1/2"(2197mm), 95 1/2"(2426mm), 98 1/2"(2502mm),
 107 1/2"(2731mm), 110 1/2"(2807mm).