
TABLE OF CONTENTS

Specifications	18-2
Quick Spec Guide	18-4
Elevations/Sizes: 1/4" Scale	18-6
Full Round Units	18-9
Octagon Units	18-10
Casement Half Round Units	18-11
Casement Quarter Round Units	18-12
Double-Hung Half Round Units	18-13
Double-Hung Quarter Round Units	18-14
In-Swing Patio Door Half Round Units	18-15
Out-Swing Patio Door Half Round Units	18-16
Glazing Options	18-17
Trim Options	18-23
Jamb Options	18-24
Mullion Details	18-25
Grille & SDL Patterns	18-30
Unit Sizing, Rough Openings & Masonry Openings	18-36
Section Details: 6" Scale	18-37

PRODUCT SPECIFICATIONS**EXTERIOR FINISH**

The standard exterior is factory-applied latex primer with an option for unfinished (stain grade) natural pine exterior available.

AURALAST® WOOD

AuraLast® wood is fundamentally different from wood treated in traditional millwork preservation processes in that it uses a proprietary vacuum/pressure process to provide protection throughout the wood parts used to make windows and doors. AuraLast® wood is distinguished from wood using traditional preservation methods by its unique ability to achieve greater penetration of the active ingredients into the wood parts, with a minimum treatment penetration of 92%.

INTERIOR FINISH

Interior surfaces are unfinished clear pine ready for on-site finishing. Optional prefinished pine interiors include four acrylic colors (Moderate White, Extra White, Natural Choice, Pure White), five stains (Wheat, Cherry, Fruitwood, Cordovan, Cider) and a clear lacquer topcoat. Primed interior is also available.

FRAME

Frame is assembled from select kiln-dried pine AuraLast® wood on all exterior parts. Standard jamb width is 4-9/16".

SASH

2-3/32" thick select kiln-dried pine AuraLast® wood. The glass is mounted into the sash using a silicone-glazing compound on the exterior and acrylic sealant on the interior, then secured with interior applied profiled wood stops. To accommodate the new nesting crank hardware, the height of the bottom rail on all operable casement, awning, radius and geometric units has been increased to 2-3/32".

GLAZING

Insulating glass is constructed from two panes of glass, utilizing a continuous roll formed stainless steel spacer with dual seal sealant. Radius insulating glass is construction of panes of glass utilizing an anodized rectangular spacer. The glass is mounted into the sash using a silicone-glazing compound and secured with interior applied profiled wood stops. All insulating glass units comply with the performance requirements of IGCC in accordance with either ASTM E774 or E2190.

GLAZING OPTIONS

Insulating glass available in Low-E with Argon, Low-E, Low-E 366, Clear, Neat Glass, Seedy Reamy, tinted, reflective, or obscure, tempered or other specialty glass as specified. Preserve® film is a 0.003" thick polyethylene film with a low tack acrylic adhesive applied to the glass for protection during shipping and installation. Installations at 4,000 foot elevations and higher require a capillary tube to equalize environmental stress (otherwise known as High Altitude glazing). High Altitude glazing does not allow the use of Argon as listed under glazing options.

WEATHER-STRIPPING

Engineered system combines foam lined bulb seal compressed between the interior of the sash and the frame in a continuous plane on all four sides with a secondary bulb seal compressed between the edge of the sash and the frame.

HARDWARE

Operating sash are mounted to the frame with corrosion resistant steel hinges. Radius operating sash are mounted into the frame with stainless steel leaf hinges. The operating hardware is made of hardened steel worm gears and a heavy gauge steel-operating arm. The sash is secured with concealed type locking hardware. The interior operator cover, nesting crank handle, and locking handle finish options are White, Chestnut Bronze, Desert Sand, plated Polished Brass, Antique Brass, Polished Chrome, Brushed Chrome and Oil-Rubbed Bronze.

INTERIOR INSECT SCREENS

Charcoal fiberglass screen cloth (18x16 mesh) set in painted roll formed aluminum frame fitted to the inside of the window with all necessary hardware, in White, Chestnut Bronze or Desert Sand finishes. Wood veneer screen frames are available in Ponderosa Pine. Insect screens are intended to allow air and light in and to keep insects out. They are not intended to keep anyone or anything from falling through an open window. For safety screens or other security devices contact your local building supply retailer.

GRILLES

SDL (Simulated Divided Lites) - extruded pre-primed aluminum muntins permanently applied to the exterior of the insulating glass unit (not available on textured glass) in 5/8", 7/8", 1-1/8", or 1-3/8" widths. Profiles are bead stop in all widths, and a putty profile in 5/8", 7/8", and 1-1/8" widths only. SDL is standard with a light bronze internal shadow bar to give a true divided lite appearance. As an option, SDL may be ordered with a silver shadow bar. Clear wood interior muntin bars match the exterior muntin width and are permanently bonded to the interior of the glass. Also available is a 2-5/16" SDL bar, which simulates a double-hung checkrail.

Full-Surround Removable Wood Grilles - Rectangular, unfinished interior clear pine wood grilles in 7/8", 1-1/8", and 1-3/8" are available in patterns selected by the owner.

GBG (Grilles between the Glass) - 5/8" flat, 23/32" contour, or 1" contour grilles mounted between the glass panes suspended within the air cavity.

EXTERIOR TRIM

Brickmould standard with optional 3-1/2", 4-1/2", 5-1/2" flat trim, 3-1/2" Adams and 1 x 4 Backband trim. Optional mull covers to accommodate 1" (spread only), 2", 3-1/2" and 6" spread and stud pocket mull.

EXTENSION JAMBS

Extensions are applied to the interior on all four sides of the frame in wall depths up to 9-1/8" for 4/4 and up to 13-11/16" for 5/4, factory applied.

Continued on next page

PRODUCT SPECIFICATIONS

INSTALLATION

Installation per JELD-WEN Installation Method for Wood Windows.
See www.jeld-wen.com/resources for instructions.

PERFORMANCE

NFRC Certified - (rated and labeled in accordance with NFRC 100 and 200 procedures)

ANSI/AAMA/NWDA/101/I.S.2-97
AMMA/WDMA/CSA 101/I.S.2/A440-05
WDMA Hallmark Certified

See www.jeld-wen.com for architectural and performance information.

QUICK SPEC GUIDE

SPECIFICATION	STANDARD FEATURES	OPTIONAL FEATURES <i>Some options may require additional lead times. Consult your JELD-WEN Sales Representative.</i>
EXTERIOR FINISH	<ul style="list-style-type: none"> • Primed 	<ul style="list-style-type: none"> • Natural • Vertical Grain Douglas Fir • Mahogany <p>Sash Only:</p> <ul style="list-style-type: none"> • Bright Copper* <i>*Copper is only available when ordered with a clad sash</i> • Speckled Patina Copper • Hand Rubbed Patina Copper
EXTERIOR TRIM	<ul style="list-style-type: none"> • Brickmould & Subsill 	<ul style="list-style-type: none"> • Adams Casing • 3-1/2" Flat Casing • 4-1/2" Flat Casing • 5-1/2" Flat Casing • 1x4 Backband • Extended Sill Nose • Historical Subsill (available on Double-Hung units only)
INTERIOR WOOD	<ul style="list-style-type: none"> • Western Pine 	<ul style="list-style-type: none"> • Vertical Grain Douglas Fir • Mahogany
INTERIOR FINISH	<ul style="list-style-type: none"> • Natural 	<ul style="list-style-type: none"> • Priming Available <p>Pre-finished Interior Options are:</p> <ul style="list-style-type: none"> • Paint - Pure White, Extra White, Natural Choice, Moderate White • Stain - Wheat, Fruitwood, Cherry, Cordovan, Cider • Clear Lacquer
SIZE	<ul style="list-style-type: none"> • Standard sizes available in Full Rounds, Octagons, Casement Half Rounds, Casement Quarter Rounds, Double-Hung Half Rounds, Twin Double-Hung Half Rounds, Double-Hung Quarter Rounds, In-Swing and Out-Swing Patio Door Half Rounds in both true and replacement sizes. 	<ul style="list-style-type: none"> • Custom sizes and shapes from 6" to 120" • Smallest frame angle is 11 degrees • Smallest frame radius is 9" • Smallest full round is 18" diameter • Operating Geometrics cannot exceed 32" in width, cannot exceed 15 sq. ft., and the short leg must be 2/3 of the overall height.
GLAZING	<ul style="list-style-type: none"> • Low-E Insulating Glass (with Argon) • Low-E 366 • Preserve® Protective Film 	<ul style="list-style-type: none"> • Clear • Obscure • Reflective • Tints: Bronze, Gray, Green • Glue Chip • Safety Laminate in Clear, Bronze or Gray • Neat Glass • Seedy Reamy • Rain • Narrow Reed • Sandblasted • Tempered • Impact Resistant <p>• High Altitude (Breather Tube, no Argon)</p>

Continued on next page

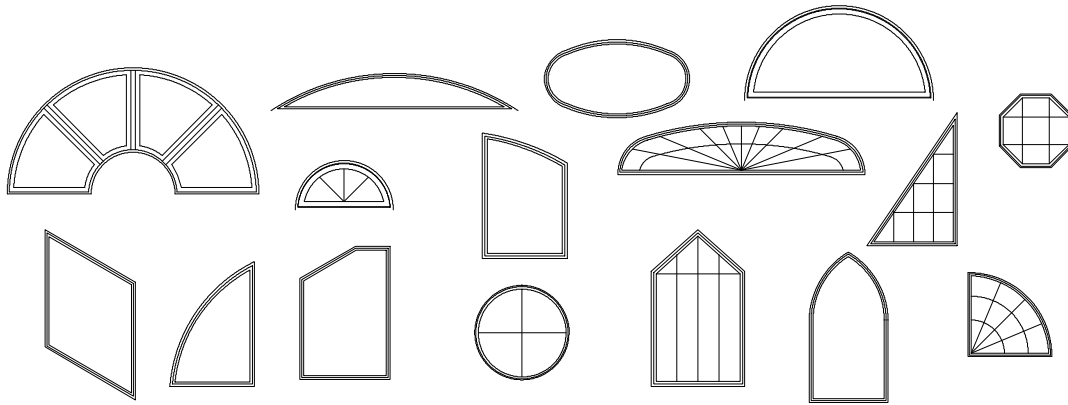
QUICK SPEC GUIDE

SPECIFICATION	STANDARD FEATURES	OPTIONAL FEATURES <i>Some options may require additional lead times. Consult your JELD-WEN Sales Representative.</i>
GRILLES		SDL Bead Profile: <ul style="list-style-type: none"> • 5/8", 7/8", 1-1/8", 1-3/8", 2-5/16" with Light Bronze Shadow Bar • 5/8", 7/8", 1-1/8", 1-3/8", 2-5/16" with Silver Shadow Bar SDL Putty Profile: <ul style="list-style-type: none"> • 5/8", 7/8" and 1-1/8" with Light Bronze Shadow Bar • 5/8", 7/8" and 1-1/8" with Silver Shadow Bar GBG (Grilles between the Glass): <ul style="list-style-type: none"> • 5/8" Flat, 23/32" Contour, 1" Contour Full Surround: <ul style="list-style-type: none"> • 7/8", 1-1/8", 1-3/8"
HARDWARE		<ul style="list-style-type: none"> • Roto Operator (single arm) • Concealed Locking System
HARDWARE COLOR		<ul style="list-style-type: none"> • White • Chestnut Bronze • Desert Sand • Polished Brass • Antique Brass • Polished Chrome • Brushed Chrome • Oil-Rubbed Bronze
JAMB	<ul style="list-style-type: none"> • Applied, 5/4 • 4-9/16" 	<ul style="list-style-type: none"> • Up to 9-1/8" 4/4 • Up to 13-11/16" 5/4
INSECT SCREENS	<ul style="list-style-type: none"> • Fiberglass 	<ul style="list-style-type: none"> • Fiberglass
SCREEN FRAME COLOR		<ul style="list-style-type: none"> • White • Chestnut Bronze • Desert Sand Wood Veneer (Interior) <ul style="list-style-type: none"> • Ponderosa Pine • Vertical Grain Douglas Fir • Mahogany • Knotty Alder

GENERAL INFORMATION

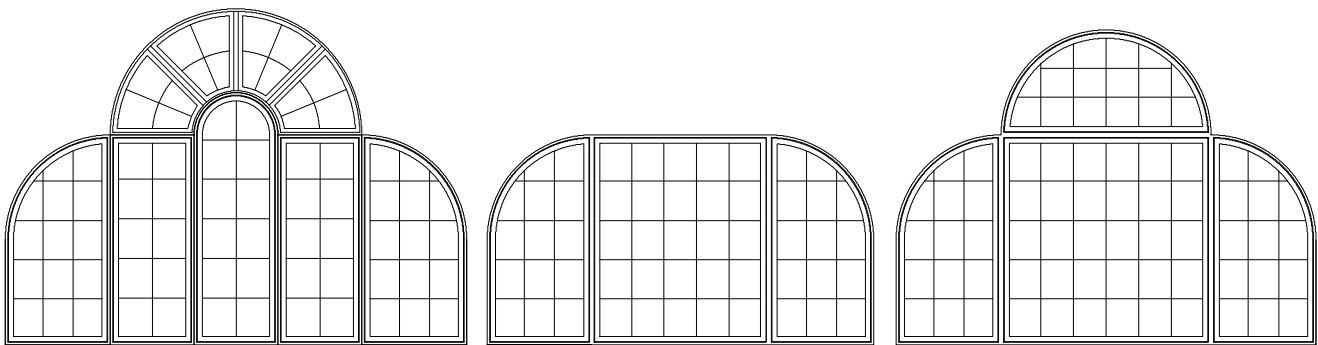
STANDARD SIZES & DESIGNS

Wood geometric windows are produced one-at-a-time to customer order, and are available in a nearly infinite range of sizes and shapes. Specified sizes, angles, and radii can be attained in finished units, to meet the most demanding architectural requirements.



MULTIPLE ASSEMBLIES

Wood in-sash geometric windows may be mullied above, below, or beside other wood geometric windows, or other wood window or patio door products. Factory assembled mulls are limited in height (100"), width (150"), and a total area (75 square feet).

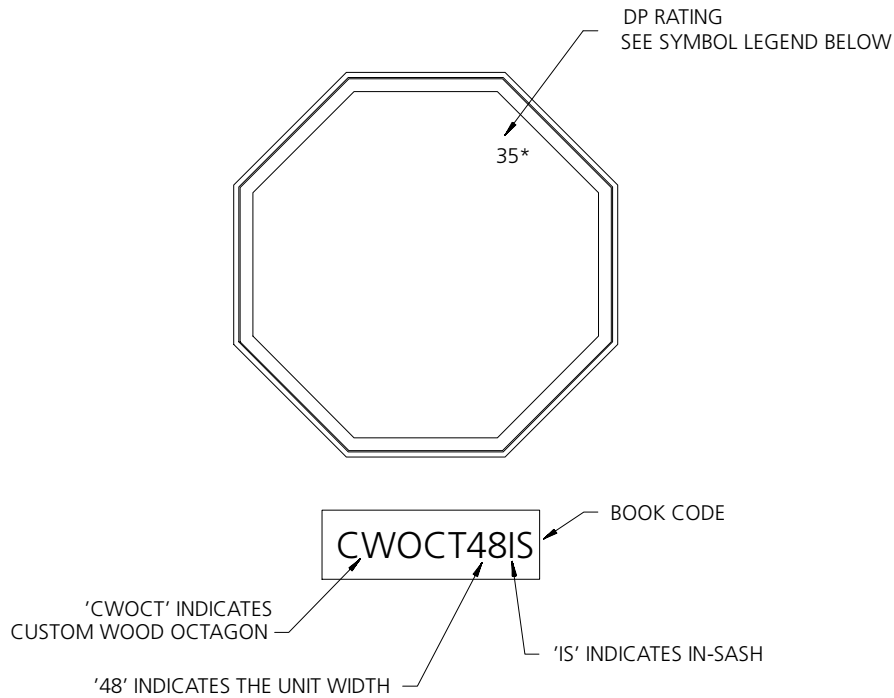


ELEVATION NOTES

ELEVATION DRAWINGS UTILIZE A LIMITED NUMBER OF PROJECTED LINES TO PRODUCE A RUDIMENTARY DRAWING INTENDED TO BE USED IN A SMALL GRAPHICAL SCALE. ELEVATIONS ARE VIEWED PERPENDICULAR FROM THE EXTERIOR OF THE STRUCTURE. IF MORE DIMENSIONS ARE NEEDED, USE THE SECTION DRAWINGS FOR MORE COMPLETE DEPICTIONS.

BOOK CODE DEFINITIONS

- | | | |
|-----|-------------|---|
| 1. | WXXHRIS | WOOD HALF ROUND IN-SASH |
| 2. | WDRHXXHRIS | WOOD DOUBLE-HUNG HALF ROUND IN-SASH |
| 3. | WIPDXXHRIS | WOOD IN-SWING PATIO DOOR HALF ROUND IN-SASH |
| 4. | WIPDTXXHRIS | WOOD IN-SWING PATIO DOOR TRUE HALF ROUND IN-SASH |
| 5. | WOPDXXHRIS | WOOD OUT-SWING PATIO DOOR HALF ROUND IN-SASH |
| 6. | WOPDTXXHRIS | WOOD OUT-SWING PATIO DOOR TRUE HALF ROUND IN-SASH |
| 7. | WXXQRIS | WOOD QUARTER ROUND IN-SASH |
| 8. | WXXFRIS | WOOD FULL ROUND IN-SASH |
| 9. | WOCTXXIS | WOOD OCTAGON IN-SASH |
| 10. | WDRHXXQRIS | WOOD DOUBLE-HUNG QUARTER ROUND IN-SASH |



GENERAL NOTES

1. UNIT ELEVATIONS ARE SHOWN WITHOUT EXTERIOR TRIM.
2. VALUES IN BRACKETS ARE MILLIMETER CONVERSIONS.
3. HALF ROUNDS, QUARTER ROUNDS AND FULL ROUNDS ARE AVAILABLE AS STATIONARY (FIXED).

ELEVATION SYMBOL LEGEND:

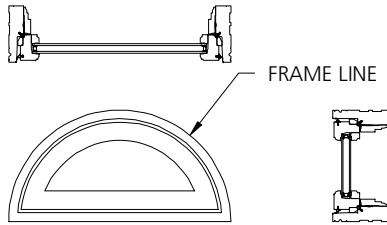
NUMBER INDICATES DESIGN PRESSURE (DP) RATING WITH STANDARD GLAZING.

ELEVATION NOTES

GEOMETRIC ELEVATIONS:

THE POSSIBLE SHAPES AND CONFIGURATIONS OF GEOMETRIC WINDOWS ARE TOO NUMEROUS TO OFFER IN A DRAWING FORMAT. CREATE THE OUTSIDE FRAME LINES OF THE GEOMETRIC SHAPE DESIRED. REFER TO SECTION DETAILS AND DIMENSIONS TO FIND THE APPROPRIATE OFFSET DIMENSIONS FOR FRAME FEATURES AND DAYLIGHT OPENING. THE FOLLOWING INFORMATION DETAILS THE CREATION OF TRIM AND SUBSILL FOR GEOMETRIC ELEVATIONS.

STANDARD ELEVATIONS



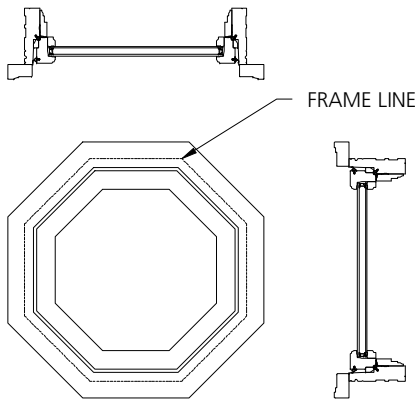
STANDARD GEOMETRIC ELEVATIONS

Geometric elevations are drawn as 'Frame Only' (without trim) to simplify mulling and multiple assemblies. Trim and subsill applications can easily be offset from frame lines to create the desired trim and finish.

MULLING WOOD UNITS

Wood elevations from other product lines have brickmould shown as the standard offering. Refer to the Section Details & Dimensions page of that product type to determine the offset from brickmould to frame. This will show the outside frame line hidden by the brickmould.

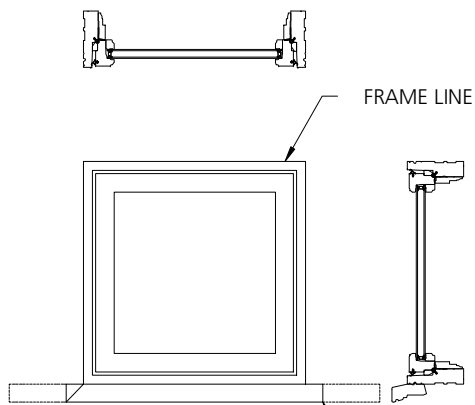
TRIM - ALL SIDES



TRIM - ALL SIDES

Applying trim to all 4 sides of an elevation is an offset from the frame. See Unit Sizing, Rough Openings & Masonry Openings page for offset dimensions of various trim options.

SUBSILL

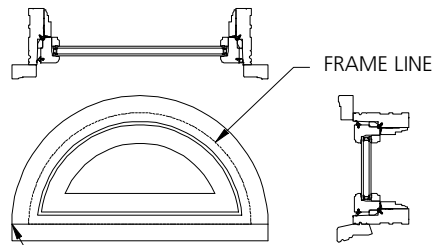


SUBSILL

Subsill is applied to the bottom of straight line portions of the window. The subsill is continuous to the outside dimensions of the units frame or trim. The application of subsill will affect the rough opening by adding 1" to the rough opening height. See Unit Sizing, Rough Opening & Masonry Openings page for more information.

SUBSILL RESTRICTIONS

Subsill may not be applied to octagon, full round, oval, inverted half round and inverted quarter round units.



SUBSILL EXTENDS TO 1 3/8" [35] OR 6" [152] OUTSIDE THE EDGE OF THE FRAME, UNLESS SPECIFIED OTHERWISE.

SUBSILL EXTENDS TO OUTSIDE EDGE OF THE BRICKMOULD

FULL ROUND UNITS

M.O. BRICKMOULD
M.O. ADAMS/FLAT CASING
ROUGH OPENING
FRAME SIZE
DAYLIGHT OPENING

23 1/4"(591)
26 5/16"(668)
20 3/4"(527)
20"(508)
15 13/64"(386)

27 1/4"(692)
30 5/16"(770)
24 3/4"(629)
24"(610)
19 13/64"(488)

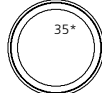
33 1/4"(845)
36 5/16"(922)
30 3/4"(781)
30"(762)
25 13/64"(640)

35 1/4"(895)
38 5/16"(973)
32 3/4"(832)
32"(813)
27 13/64"(691)

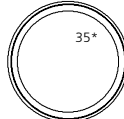
39 1/4"(997)
42 5/16"(1074)
36 3/4"(933)
36"(914)
31 13/64"(792)



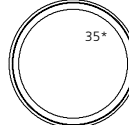
CW20FRIS



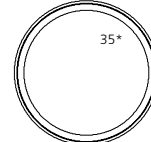
CW24FRIS



CW30FRIS



CW32FRIS



CW36FRIS

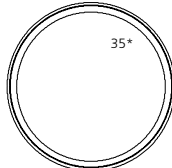
M.O. BRICKMOULD
M.O. ADAMS/FLAT CASING
ROUGH OPENING
FRAME SIZE
DAYLIGHT OPENING

45 1/4"(1149)
48 5/16"(1227)
42 3/4"(1086)
42"(1067)
37 13/64"(945)

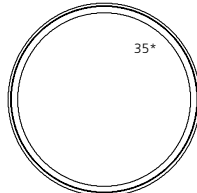
51 1/4"(1302)
54 5/16"(1379)
48 3/4"(1238)
48"(1219)
43 13/64"(1097)

57 1/4"(1454)
60 5/16"(1532)
54 3/4"(1391)
54"(1372)
49 13/64"(1250)

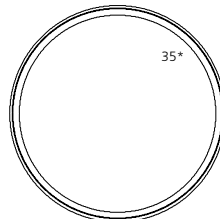
63 1/4"(1607)
66 5/16"(1684)
60 3/4"(1543)
60"(1524)
55 13/64"(1402)



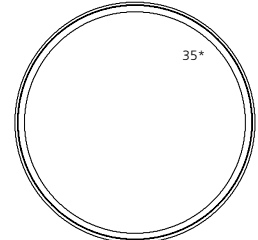
CW42FRIS



CW48FRIS



CW54FRIS



CW60FRIS

ELEVATION SYMBOL LEGEND:

M.O. = MASONRY OPENING
VALUES IN () ARE IN MILLIMETER CONVERSIONS.
##* NUMBER INDICATES DESIGN PRESSURE (DP) RATING WITH STANDARD GLAZING.

Note: Elevations shown DO NOT have exterior trim. Subtract 1/2" (12.7) from M.O. (Masonry Opening) for Unit Sizes. Masonry Openings above include Sill Nose, see Trim Options page for Sill Nose specifications. For other Trim Options refer to the Unit Sizing, Rough Opening & Masonry Openings page.

OCTAGON UNITS

**M.O. BRICKMOULD
M.O. ADAMS/FLAT CASING
ROUGH OPENING
FRAME SIZE
DAYLIGHT OPENING**

23 1/4"(591)
26 5/16"(668)
20 3/4"(527)
20"(508)
15 13/64"(386)

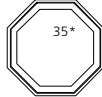
27 1/4"(692)
30 5/16"(770)
24 3/4"(629)
24"(610)
19 13/64"(488)

33 1/4"(845)
36 5/16"(922)
30 3/4"(781)
30"(762)
25 13/64"(640)

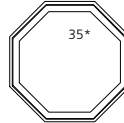
35 1/4"(895)
38 5/16"(973)
32 3/4"(832)
32"(813)
27 13/64"(691)



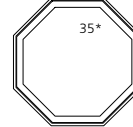
CWOCT20IS



CWOCT24IS



CWOCT30IS



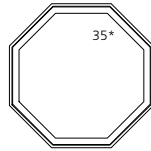
CWOCT32IS

**M.O. BRICKMOULD
M.O. ADAMS/FLAT CASING
ROUGH OPENING
FRAME SIZE
DAYLIGHT OPENING**

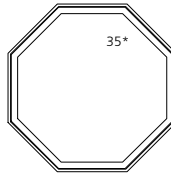
39 1/4"(997)
42 5/16"(1074)
36 3/4"(933)
36"(914)
31 13/64"(793)

45 1/4"(1149)
48 5/16"(1227)
42 3/4"(1086)
42"(1067)
37 13/64"(945)

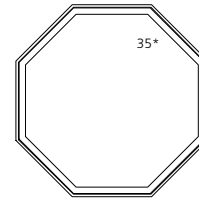
51 1/4"(1302)
54 5/16"(1379)
48 3/4"(1238)
48"(1219)
43 13/64"(1097)



CWOCT36IS



CWOCT42IS



CWOCT48IS

ELEVATION SYMBOL LEGEND:

M.O. = MASONRY OPENING

VALUES IN () ARE IN MILLIMETER CONVERSIONS.

NUMBER INDICATES DESIGN PRESSURE (DP) RATING WITH STANDARD GLAZING.

Note: Elevations shown DO NOT have exterior trim. Subtract 1/2" (12.7) from M.O. (Masonry Opening) for Unit Sizes. Masonry Openings above include Sill Nose, see Trim Options page for Sill Nose specifications. For other Trim Options refer to the Unit Sizing, Rough Opening & Masonry Openings page.

CASEMENT HALF ROUND UNITS

M.O. BRICKMOLD
M.O. ADAMS/FLAT CASING
ROUGH OPENING
FRAME SIZE
DAYLIGHT OPENING

21 1/4"(540)
24 5/16"(617)
18 3/4"(476)
18"(457)
12 19/64"(312)

23 1/4"(591)
26 5/16"(668)
20 3/4"(527)
20"(508)
14 19/64"(363)

27 1/4"(692)
30 5/16"(770)
24 3/4"(629)
24"(610)
18 19/64"(464)

31 1/4"(794)
34 5/16"(871)
28 3/4"(730)
28"(711)
22 19/64"(566)

33 1/4"(845)
36 5/16"(922)
30 3/4"(781)
30"(762)
24 19/64"(617)

12 5/16"(313)
13 7/8"(352)
10 3/4"(273)
9"(229)
4 13/64"(107)



CW18HRIS

13 5/16"(338)
14 7/8"(378)
11 3/4"(298)
10"(254)
5 13/64"(132)



CW20HRIS

15 5/16"(389)
16 7/8"(429)
13 3/4"(349)
12"(305)
7 13/64"(183)



CW24HRIS

17 5/16"(440)
18 7/8"(479)
15 3/4"(400)
14"(229)
9 13/64"(234)



CW28HRIS

18 5/16"(465)
19 7/8"(505)
16 3/4"(425)
15"(381)
10 13/64"(259)



CW30HRIS

M.O. BRICKMOLD
M.O. ADAMS/FLAT CASING
ROUGH OPENING
FRAME SIZE
DAYLIGHT OPENING

35 1/4"(895)
38 5/16"(973)
32 3/4"(832)
32"(813)
26 19/64"(668)

39 1/4"(997)
42 5/16"(1074)
36 3/4"(933)
36"(914)
30 19/64"(769)

43 1/4"(1099)
46 5/16"(1176)
40 3/4"(1035)
40"(1016)
34 19/64"(871)

45 1/4"(1149)
48 5/16"(1227)
42 3/4"(1086)
42"(1067)
36 19/64"(922)

19 5/16"(491)
20 7/8"(530)
17 3/4"(451)
16"(406)
11 13/64"(284)



CW32HRIS

21 5/16"(541)
22 7/8"(581)
19 3/4"(502)
18"(457)
13 13/64"(335)



CW36HRIS

23 5/16"(592)
24 7/8"(632)
21 3/4"(552)
20"(508)
15 13/64"(386)



CW40HRIS

24 5/16"(618)
25 7/8"(657)
22 3/4"(578)
21"(533)
16 13/64"(412)



CW42HRIS

M.O. BRICKMOLD
M.O. ADAMS/FLAT CASING
ROUGH OPENING
FRAME SIZE
DAYLIGHT OPENING

51 1/4"(1302)
54 5/16"(1379)
48 3/4"(1238)
48"(1219)
42 19/64"(1074)

57 1/4"(1454)
60 5/16"(1532)
54 3/4"(1391)
54"(1372)
48 19/64"(1227)

59 1/4"(1505)
62 5/16"(1582)
56 3/4"(1441)
56"(1422)
50 19/64"(1278)

28 7/8"(733)
27 5/16"(694)
25 3/4"(654)
24"(610)
19 13/64"(488)



CW48HRIS

30 5/16"(770)
31 7/8"(810)
28 3/4"(730)
27"(686)
22 13/64"(564)



CW54HRIS

31 5/16"(795)
32 7/8"(835)
29 3/4"(756)
28"(711)
23 13/64"(589)



CW56HRIS

M.O. BRICKMOLD
M.O. ADAMS/FLAT CASING
ROUGH OPENING
FRAME SIZE
DAYLIGHT OPENING

63 1/4"(1607)
66 5/16"(1684)
60 3/4"(1543)
60"(1524)
54 19/64"(1379)

67 1/4"(1708)
70 5/16"(1786)
64 3/4"(1645)
64"(1626)
58 19/64"(1481)

69 1/4"(1759)
72 5/16"(1836)
66 3/4"(1695)
66"(1676)
60 19/64"(1531)

33 5/16"(846)
34 7/8"(886)
31 3/4"(806)
30"(762)
25 13/64"(640)



CW60HRIS

35 5/16"(897)
36 7/8"(937)
33 3/4"(857)
32"(813)
27 13/64"(691)



CW64HRIS

36 5/16"(922)
37 7/8"(962)
34 3/4"(883)
33"(838)
28 13/64"(716)



CW66HRIS

M.O. BRICKMOLD
M.O. ADAMS/FLAT CASING
ROUGH OPENING
FRAME SIZE
DAYLIGHT OPENING

75 1/4"(1911)
78 5/16"(1989)
72 3/4"(1848)
72"(1829)
66 19/64"(1684)

87 1/4"(2216)
90 5/16"(2294)
84 3/4"(2153)
84"(2134)
78 19/64"(1989)

99 1/4"(2521)
102 5/16"(2598)
96 3/4"(2457)
96"(2438)
90 19/64"(2294)

39 5/16"(999)
40 7/8"(1038)
37 3/4"(959)
36"(914)
31 13/64"(793)



CW72HRIS

45 5/16"(1151)
46 7/8"(1191)
43 3/4"(1111)
42"(1067)
37 13/64"(945)



CW84HRIS

M.O. BRICKMOLD
M.O. ADAMS/FLAT CASING
ROUGH OPENING
FRAME SIZE
DAYLIGHT OPENING

93 1/4"(2369)
96 5/16"(2446)
90 3/4"(2305)
90"(2286)
84 19/64"(2141)

99 1/4"(2521)
102 5/16"(2598)
96 3/4"(2457)
96"(2438)
90 19/64"(2294)

48 5/16"(1227)
49 7/8"(1267)
46 3/4"(1187)
45"(1143)
40 13/64"(1021)



CW90HRIS

51 5/16"(1303)
52 7/8"(1343)
49 3/4"(1264)
48"(1219)
43 13/64"(1097)



CW96HRIS

ELEVATION SYMBOL LEGEND:

M.O. = MASONRY OPENING
VALUES IN () ARE IN MILLIMETER CONVERSIONS.
NUMBER INDICATES DESIGN PRESSURE (DP) RATING WITH STANDARD GLAZING.

Note: Elevations shown DO NOT have exterior trim. Subtract 1/2" (12.7) from M.O. (Masonry Opening) for Unit Sizes. Masonry Openings above include Sill Nose, see Trim Options page for Sill Nose specifications. For other Trim Options refer to the Unit Sizing, Rough Opening & Masonry Openings page.

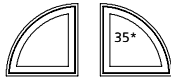
SCALE: 1/4" = 1'

CASEMENT QUARTER ROUND UNITS

M.O. BRICKMOULD
M.O. ADAMS/FLAT CASING
ROUGH OPENING
FRAME SIZE
DAYLIGHT OPENING

21 1/4" (540)
24 5/16" (617)
18 3/4" (476)
18" (457)
13 1/64" (331)

21 5/16" (541)
22 7/8" (581)
19 3/4" (502)
18" (457)
13 1/64" (331)



CW18QRIS

23 1/4" (591)
26 5/16" (668)
20 3/4" (527)
20" (508)
15 1/64" (381)

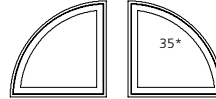
23 5/16" (592)
24 7/8" (632)
21 3/4" (552)
20" (508)
15 1/64" (381)



CW20QRIS

27 1/4" (692)
30 5/16" (770)
24 3/4" (629)
24" (610)
19 1/64" (483)

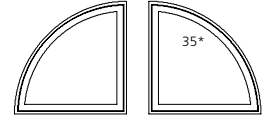
27 5/16" (694)
28 7/8" (733)
25 3/4" (654)
24" (610)
19 1/64" (483)



CW24QRIS

31 1/4" (794)
34 5/16" (871)
28 3/4" (730)
28" (711)
23 1/64" (585)

31 5/16" (795)
32 7/8" (835)
29 3/4" (756)
28" (711)
23 1/64" (585)

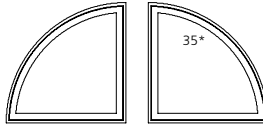


CW28QRIS

M.O. BRICKMOULD
M.O. ADAMS/FLAT CASING
ROUGH OPENING
FRAME SIZE
DAYLIGHT OPENING

33 1/4" (845)
36 5/16" (922)
30 3/4" (781)
30" (762)
25 1/64" (635)

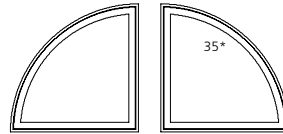
33 5/16" (846)
34 7/8" (886)
31 3/4" (806)
30" (762)
25 1/64" (635)



CW30QRIS

35 1/4" (895)
38 5/16" (973)
32 3/4" (832)
32" (813)
27 1/64" (686)

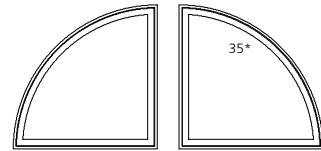
35 5/16" (897)
36 7/8" (937)
33 3/4" (857)
32" (813)
27 1/64" (686)



CW32QRIS

39 1/4" (997)
42 5/16" (1074)
36 3/4" (933)
36" (914)
31 1/64" (788)

39 5/16" (999)
40 7/8" (1038)
37 3/4" (959)
36" (914)
31 1/64" (788)

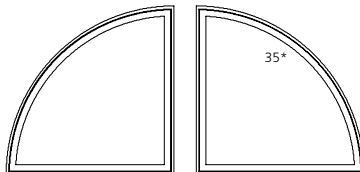


CW36QRIS

M.O. BRICKMOULD
M.O. ADAMS/FLAT CASING
ROUGH OPENING
FRAME SIZE
DAYLIGHT OPENING

45 1/4" (1149)
48 5/16" (1227)
42 3/4" (1086)
42" (1067)
37 1/64" (940)

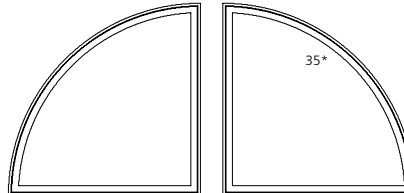
45 5/16" (1151)
46 7/8" (1191)
43 3/4" (1111)
42" (1067)
37 1/64" (940)



CW42QRIS

51 1/4" (1302)
54 5/16" (1379)
48 3/4" (1238)
48" (1219)
43 1/64" (1093)

51 5/16" (1303)
52 7/8" (1343)
49 3/4" (1264)
48" (1219)
43 1/64" (1093)



CW48QRIS

ELEVATION SYMBOL LEGEND:

M.O. = MASONRY OPENING

VALUES IN () ARE IN MILLIMETER CONVERSIONS.

NUMBER INDICATES DESIGN PRESSURE (DP) RATING WITH STANDARD GLAZING.

Note: Elevations shown DO NOT have exterior trim. Subtract 1/2" (12.7) from M.O. (Masonry Opening) for Unit Sizes. Masonry Openings above include Sill Nose, see Trim Options page for Sill Nose specifications. For other Trim Options refer to the Unit Sizing, Rough Opening & Masonry Openings page.

SCALE: 1/4" = 1'

DOUBLE-HUNG HALF ROUND UNITS

M.O. BRICKMOULD
M.O. ADAMS/FLAT CASING
ROUGH OPENING
FRAME SIZE
DAYLIGHT OPENING

24 5/8" (625)
27 11/16" (703)
22 1/8" (562)
21 3/8" (543)
15 55/64" (403)

28 5/8" (727)
31 11/16" (805)
26 1/8" (664)
25 3/8" (645)
19 55/64" (504)

32 5/8" (829)
35 11/16" (906)
30 18" (765)
29 3/8" (746)
23 55/64" (606)

36 5/8" (930)
39 11/16" (1008)
34 1/8" (867)
33 3/8" (848)
27 55/64" (708)

40 5/8" (1032)
43 11/16" (1109)
38 1/8" (968)
37 3/8" (949)
31 55/64" (809)

14" (365)
15 9/16" (395)
12 7/16" (316)
10 11/16" (271)
5 57/64" (150)



CWD25HRIS

16" (406)
17 9/16" (446)
14 7/16" (367)
12 11/16" (322)
7 57/64" (200)



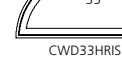
CWD29HRIS

18" (457)
19 9/16" (497)
16 7/16" (417)
14 11/16" (373)
9 57/64" (251)



CWD29HRIS

20" (508)
21 9/16" (548)
18 7/16" (468)
16 11/16" (424)
11 57/64" (302)



CWD33HRIS

22" (559)
23 9/16" (598)
20 7/16" (519)
18 11/16" (475)
13 57/64" (353)



CWD37HRIS

M.O. BRICKMOULD
M.O. ADAMS/FLAT CASING
ROUGH OPENING
FRAME SIZE
DAYLIGHT OPENING

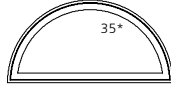
44 5/8" (1133)
47 11/16" (1211)
42 1/8" (1070)
41 3/8" (1051)
35 55/64" (911)

48 5/8" (1235)
51 11/16" (1313)
46 1/8" (1172)
45 3/8" (1153)
39 55/64" (1012)

46" (1168)
49 1/16" (1246)
43 1/2" (1105)
42 3/4" (1086)
37 41/64" (956)

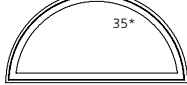
54" (1372)
57 1/16" (1449)
51 1/2" (1308)
50 3/4" (1289)
45 41/64" (1156)

24" (610)
25 9/16" (649)
22 7/16" (570)
19 11/16" (500)
15 57/64" (404)



CWD41HRIS

26" (660)
27 9/16" (700)
24 7/16" (621)
22 11/16" (614)
17 57/64" (454)



CWD45HRIS

24 11/16" (627)
26 1/4" (667)
23 1/8" (587)
21 3/8" (543)
16 37/64" (421)



CWD21-2HRIS

28 11/16" (729)
30 1/4" (768)
27 1/8" (689)
25 3/8" (645)
20 37/64" (523)



CWD25-2HRIS

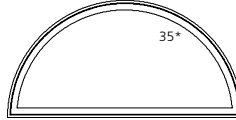
M.O. BRICKMOULD
M.O. ADAMS/FLAT CASING
ROUGH OPENING
FRAME SIZE
DAYLIGHT OPENING

62" (1575)
65 1/16" (1652)
59 1/2" (1511)
58 3/4" (1492)
53 41/64" (1363)

70" (1778)
73 1/16" (1855)
67 1/2" (1715)
66 3/4" (1695)
61 41/64" (1566)

78" (1981)
81 1/16" (2059)
75 1/2" (1918)
74 3/4" (1899)
69 41/64" (1769)

32 11/16" (830)
34 1/4" (870)
31 1/8" (791)
29 3/8" (746)
24 37/64" (624)



CWD29-2HRIS

36 11/16" (932)
38 1/4" (972)
35 1/8" (892)
33 3/8" (848)
28 37/64" (726)



CWD33-2HRIS

40 11/16" (1033)
42 1/4" (1073)
39 1/8" (994)
37 3/8" (949)
32 37/64" (827)



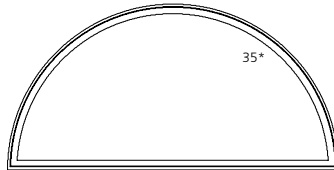
CWD37-2HRIS

M.O. BRICKMOULD
M.O. ADAMS/FLAT CASING
ROUGH OPENING
FRAME SIZE
DAYLIGHT OPENING

86" (2184)
89 1/16" (2262)
83 1/2" (2121)
82 3/4" (2102)
77 41/64" (1972)

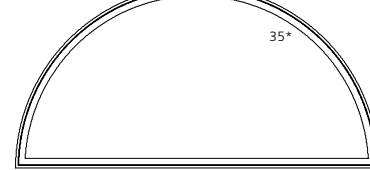
94" (2388)
97 1/16" (2465)
91 1/2" (2324)
90 3/4" (2305)
85 41/64" (2175)

44 11/16" (1135)
46 1/4" (1175)
43 1/8" (1095)
41 3/8" (1051)
36 37/64" (929)



CWD41-2HRIS

48 11/16" (1237)
50 1/4" (1276)
47 1/8" (1197)
45 3/8" (1153)
40 37/64" (1031)



CWD45-2HRIS

ELEVATION SYMBOL LEGEND:

M.O. = MASONRY OPENING

VALUES IN () ARE IN MILLIMETER CONVERSIONS.

##* NUMBER INDICATES DESIGN PRESSURE (DP) RATING WITH STANDARD GLAZING.

Note: Elevations shown DO NOT have exterior trim. Subtract 1/2" (12.7) from M.O. (Masonry Opening) for Unit Sizes. Masonry Openings above include Sill Nose, see Trim Options page for Sill Nose specifications. For other Trim Options refer to the Unit Sizing, Rough Opening & Masonry Openings page.

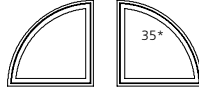
SCALE: 1/4" = 1'

DOUBLE-HUNG QUARTER ROUND UNITS

M.O. BRICKMOULD
M.O. ADAMS/FLAT CASING
ROUGH OPENING
FRAME SIZE
DAYLIGHT OPENING

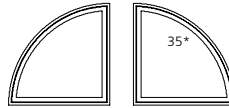
24 5/8" (625)
27 11/16" (703)
22 1/8" (562)
21 3/8" (543)
17 1/2" (445)

24 11/16" (627)
26 1/4" (667)
23 1/8" (587)
21 3/8" (543)
17 1/2" (445)



CWD21QRIS

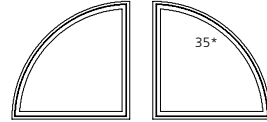
28 11/16" (729)
30 1/4" (768)
27 1/8" (689)
25 3/8" (645)
21 1/2" (546)



CWD25QRIS

32 5/8" (829)
35 11/16" (906)
30 1/8" (765)
29 3/8" (746)
25 1/2" (648)

32 11/16" (830)
34 1/4" (870)
31 1/8" (791)
29 3/8" (746)
25 1/2" (648)

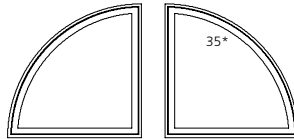


CWD29QRIS

M.O. BRICKMOULD
M.O. ADAMS/FLAT CASING
ROUGH OPENING
FRAME SIZE
DAYLIGHT OPENING

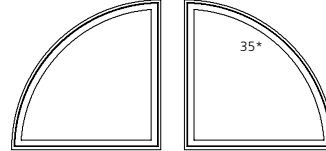
36 5/8" (930)
39 11/16" (1008)
34 1/8" (867)
33 3/8" (848)
29 1/2" (749)

36 11/16" (932)
38 1/4" (972)
35 1/8" (892)
33 3/8" (848)
29 1/2" (749)



CWD33QRIS

40 11/16" (1033)
42 1/4" (1073)
39 1/8" (994)
37 3/8" (949)
33 1/2" (851)



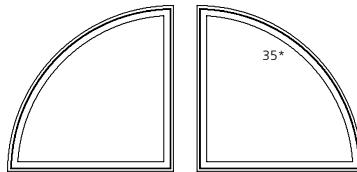
CWD37QRIS

40 5/8" (1032)
43 11/16" (1109)
38 1/8" (968)
37 3/8" (949)
33 1/2" (851)

M.O. BRICKMOULD
M.O. ADAMS/FLAT CASING
ROUGH OPENING
FRAME SIZE
DAYLIGHT OPENING

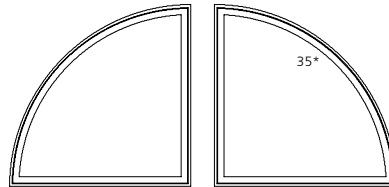
44 5/8" (1133)
47 11/16" (1211)
42 1/8" (1070)
41 3/8" (1051)
37 1/2" (953)

44 11/16" (1135)
46 1/4" (1175)
43 1/8" (1095)
41 3/8" (1051)
37 1/2" (953)



CWD41QRIS

48 11/16" (1237)
50 1/4" (1276)
47 1/8" (1197)
45 3/8" (1153)
41 1/2" (1054)



CWD45QRIS


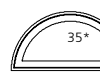


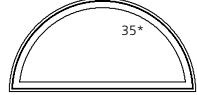
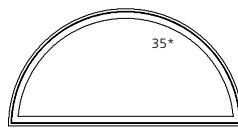
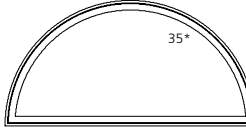
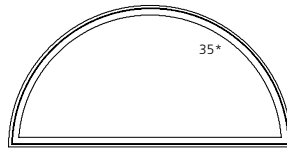


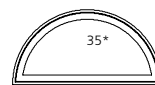
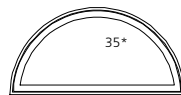
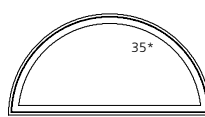
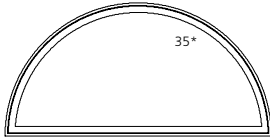
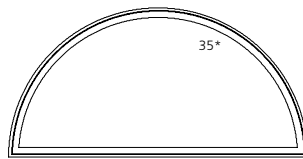
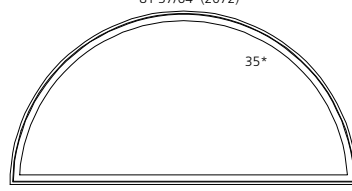
ELEVATION SYMBOL LEGEND:

M.O. = MASONRY OPENING
VALUES IN () ARE IN MILLIMETER CONVERSIONS.
##* NUMBER INDICATES DESIGN PRESSURE (DP) RATING WITH STANDARD GLAZING.

Note: Elevations shown DO NOT have exterior trim. Subtract 1/2" (12.7) from M.O. (Masonry Opening) for Unit Sizes. Masonry Openings above include Sill Nose, see Trim Options page for Sill Nose specifications. For other Trim Options refer to the Unit Sizing, Rough Opening & Masonry Openings page.

SCALE: 1/4" = 1'

IN-SWING PATIO DOOR HALF ROUND UNITS

M.O. BRICKMOULD M.O. ADAMS/FLAT CASING ROUGH OPENING FRAME SIZE DAYLIGHT OPENING	26 11/16" (678) 29 3/4" (755) 24 3/16" (614) 23 7/16" (595) 18 1/64" (458)	32 11/16" (830) 35 3/4" (908) 30 3/16" (767) 29 7/16" (748) 24 1/64" (610)	34 11/16" (881) 37 3/4" (959) 32 3/16" (818) 31 7/16" (799) 26 1/64" (661)	38 11/16" (983) 41 3/4" (1060) 36 3/16" (919) 35 7/16" (900) 30 1/64" (762)	49 11/16" (1267) 52 3/4" (1344) 47 3/8" (1197) 46 5/16" (1184) 41 1/64" (1042)				
15 1/16" (382) 16 5/8" (421) 13 1/2" (343) 11 3/4" (298) 6 59/64" (176)	 CWIPD20HRIS	 CWIPD26HRIS	 CWIPD28HRIS	 CWIPD30HRIS	 CWIPD40HRIS				
M.O. BRICKMOULD M.O. ADAMS/FLAT CASING ROUGH OPENING FRAME SIZE DAYLIGHT OPENING	61 7/8" (1572) 64 15/16" (1649) 59 3/8" (1508) 58 5/8" (1489) 53 39/64" (1362)	65 7/8" (1673) 68 15/16" (1751) 63 3/8" (1610) 62 5/8" (1591) 57 39/64" (1463)	73 7/8" (1876) 76 15/16" (1954) 71 3/8" (1813) 70 5/8" (1794) 65 39/64" (1666)	32 5/8" (829) 34 3/16" (868) 31 1/16" (789) 29 5/16" (745) 24 33/64" (623)	 CWIPD50HRIS	 CWIPD54HRIS	 CWIPD60HRIS		
M.O. BRICKMOULD M.O. ADAMS/FLAT CASING ROUGH OPENING FRAME SIZE DAYLIGHT OPENING	28 11/16" (729) 31 3/4" (806) 26 3/16" (665) 25 7/16" (646) 20 5/64" (510)	36 11/16" (932) 39 3/4" (1009) 34 3/16" (886) 33 7/16" (849) 28 5/64" (713)	40 11/16" (1033) 43 3/4" (1111) 38 3/16" (970) 37 7/16" (951) 32 5/64" (815)	46 11/16" (1186) 49 3/4" (1263) 44 3/16" (1122) 43 7/16" (1103) 38 5/64" (967)	16 1/16" (407) 17 5/8" (447) 14 1/2" (368) 12 3/4" (323) 7 59/64" (201)	 CWIPDT20HRIS	 CWIPDT28HRIS	 CWIPDT30HRIS	 CWIPDT36HRIS
M.O. BRICKMOULD M.O. ADAMS/FLAT CASING ROUGH OPENING FRAME SIZE DAYLIGHT OPENING	53 7/8" (1368) 56 15/16" (1446) 51 3/8" (1305) 50 5/8" (1286) 45 37/64" (1158)	69 7/8" (1775) 72 15/16" (1852) 67 3/8" (1711) 66 5/8" (1692) 61 37/64" (1564)	77 7/8" (1978) 80 15/16" (2055) 75 3/8" (1915) 74 5/8" (1895) 69 37/64" (1767)	28 1/16" (727) 30 5/8" (767) 27 1/16" (687) 25 5/16" (643) 20 59/64" (531)	 CWIPDT40HRIS	 CWIPDT54HRIS	 CWIPDT60HRIS		
M.O. BRICKMOULD M.O. ADAMS/FLAT CASING ROUGH OPENING FRAME SIZE DAYLIGHT OPENING	89 7/8" (2283) 92 15/16" (2360) 87 3/8" (2219) 86 5/8" (2200) 81 37/64" (2072)	46 5/8" (1184) 48 3/16" (1224) 45 1/16" (1145) 43 5/16" (1100) 38 33/64" (978)	 CWIPDT70HRIS						

ELEVATION SYMBOL LEGEND:

M.O. = MASONRY OPENING
 VALUES IN () ARE IN MILLIMETER CONVERSIONS.
 ##* NUMBER INDICATES DESIGN PRESSURE (DP) RATING WITH STANDARD GLAZING.

Note: Elevations shown DO NOT have exterior trim. Subtract 1/2" (12.7) from M.O. (Masonry Opening) for Unit Sizes. Masonry Openings above include Sill Nose, see Trim Options page for Sill Nose specifications. For other Trim Options refer to the Unit Sizing, Rough Opening & Masonry Openings page.

SCALE: 1/4" = 1'

OUT-SWING PATIO DOOR HALF ROUND UNITS

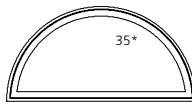
M.O. BRICKMOULD
M.O. ADAMS/FLAT CASING
ROUGH OPENING
FRAME SIZE
DAYLIGHT OPENING

50 7/16" (1281)
53 1/2" (1359)
47 15/16" (1218)
47 3/16" (1199)
42 7/64" (1070)

62 7/16" (1586)
65 1/2" (1663)
59 15/16" (1522)
59 3/16" (1503)
54 7/64" (1374)

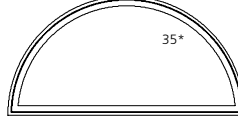
66 7/16" (1688)
69 1/2" (1765)
63 15/16" (1624)
63 3/16" (1605)
58 7/64" (1476)

26 1 5/16" (683)
28 7/8" (723)
28 3/8" (722)
23 5/8" (698)
18 5/164" (477)



CWOPD40HRIS

32 1 5/16" (836)
34 1/2" (890)
30 3/8" (772)
29 5/8" (752)
24 5 1/64" (630)



CWOPD50HRIS

34 1 5/16" (887)
36 1/2" (926)
32 3/8" (822)
31 5/8" (802)
26 5 1/64" (681)

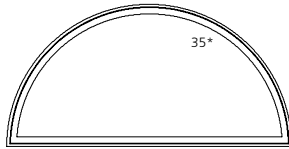


CWOPD54HRIS

M.O. BRICKMOULD
M.O. ADAMS/FLAT CASING
ROUGH OPENING
FRAME SIZE
DAYLIGHT OPENING

74 7/16" (1891)
77 1/2" (1968)
71 15/16" (1827)
71 3/16" (1808)
66 7/64" (1679)

38 1 5/16" (988)
40 1 7/8" (1028)
40 3/8" (1014)
35 5/8" (904)
30 5 1/64" (782)



CWOPD60HRIS

M.O. BRICKMOULD
M.O. ADAMS/FLAT CASING
ROUGH OPENING
FRAME SIZE
DAYLIGHT OPENING

29 1/4" (743)
32 5/16" (820)
26 3/4" (679)
26" (660)
20 19/32" (523)

37 1/4" (946)
40 5/16" (1024)
34 3/4" (883)
34" (864)
28 19/32" (726)

41 1/4" (1048)
44 5/16" (1125)
38 3/4" (984)
38" (965)
32 19/32" (828)

47 1/4" (1200)
50 5/16" (1278)
44 3/4" (1137)
44" (1118)
38 19/32" (980)

16 5/16" (414)
17 7/8" (454)
13 7/8" (358)
13 3/32" (332)
8 13/64" (208)



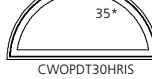
CWOPDT20HRIS

20 5/16" (516)
21 7/8" (556)
17 3/4" (451)
17" (432)
12 13/64" (310)



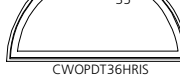
CWOPDT28HRIS

22 5/16" (567)
23 7/8" (606)
19 3/4" (502)
19" (483)
14 13/64" (361)



CWOPDT30HRIS

25 5/16" (643)
26 7/8" (683)
22 3/4" (578)
22" (559)
17 13/64" (437)



CWOPDT36HRIS

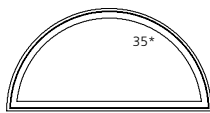
M.O. BRICKMOULD
M.O. ADAMS/FLAT CASING
ROUGH OPENING
FRAME SIZE
DAYLIGHT OPENING

54 7/16" (1383)
57 1/2" (1460)
51 15/16" (1319)
51 3/16" (1300)
46 7/64" (1171)

70 7/16" (1789)
73 1/2" (1867)
67 15/16" (1726)
67 3/16" (1707)
62 7/64" (1578)

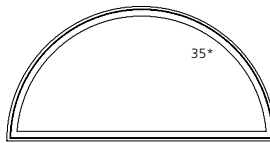
78 7/16" (1992)
81 1/2" (2070)
75 15/16" (1929)
75 3/16" (1910)
70 7/64" (1781)

28 1 5/16" (734)
30 7/8" (774)
30 3/8" (750)
25 5/8" (650)
20 51/64" (528)



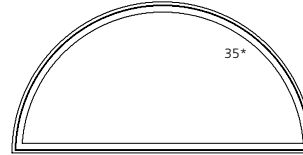
CWOPDT40HRIS

36 1 5/16" (938)
38 1/2" (978)
34 3/8" (873)
33 5/8" (854)
28 5 1/64" (731)



CWOPDT54HRIS

40 1 5/16" (1039)
42 1/2" (1079)
38 3/8" (975)
37 5/8" (955)
32 5 1/64" (833)

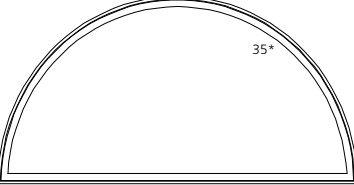


CWOPDT60HRIS

M.O. BRICKMOULD
M.O. ADAMS/FLAT CASING
ROUGH OPENING
FRAME SIZE
DAYLIGHT OPENING

90 7/16" (2297)
93 1/2" (2375)
87 15/16" (2234)
87 3/16" (2215)
82 7/64" (2086)

46 1 5/16" (1191)
48 7/8" (1231)
48 3/8" (1171)
43 5/8" (1107)
38 5 1/64" (985)



CWOPDT70HRIS

ELEVATION SYMBOL LEGEND:

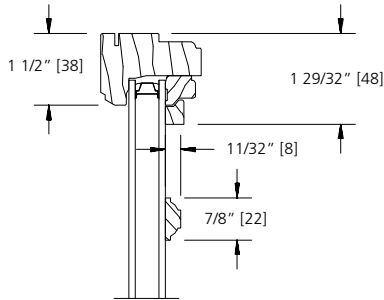
M.O. = MASONRY OPENING
VALUES IN () ARE IN MILLIMETER CONVERSIONS.
= NUMBER INDICATES DESIGN PRESSURE (DP) RATING WITH STANDARD GLAZING.

Note: Elevations shown DO NOT have exterior trim. Subtract 1/2" (12.7) from M.O. (Masonry Opening) for Unit Sizes. Masonry Openings above include Sill Nose, see Trim Options page for Sill Nose specifications. For other Trim Options refer to the Unit Sizing, Rough Opening & Masonry Openings page.

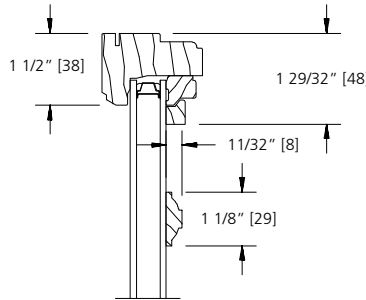
SCALE: 1/4" = 1'

GLAZING OPTIONS

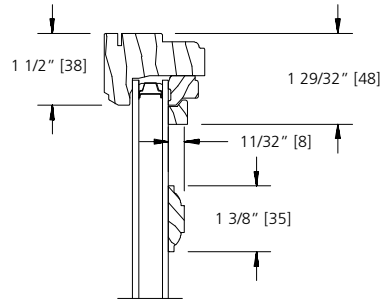
INTERIOR GLAZED
INSULATED 3/4" [19] GLASS



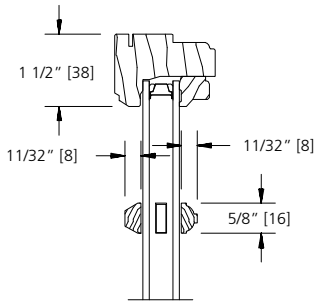
7/8" GRILLE BAR



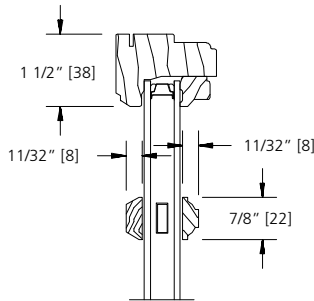
1 1/8" GRILLE BAR



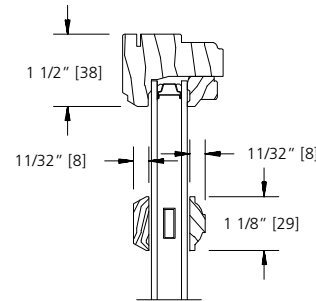
1 3/8" GRILLE BAR



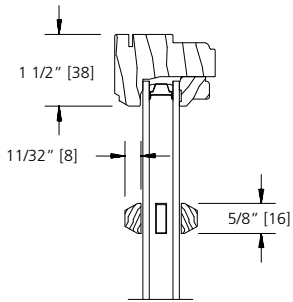
**5/8" SDL BAR
(PUTTY/BEAD)**



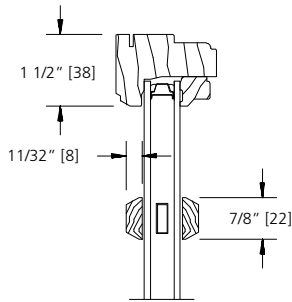
**7/8" SDL BAR
(PUTTY/BEAD)**



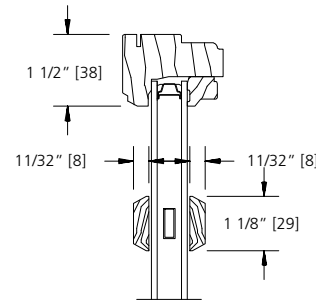
**1 1/8" SDL BAR
(PUTTY/BEAD)**



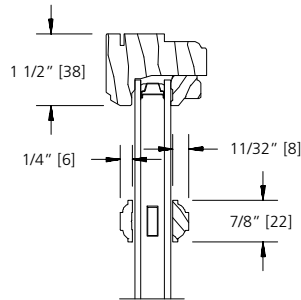
**5/8" SDL BAR
(PUTTY/PUTTY)**



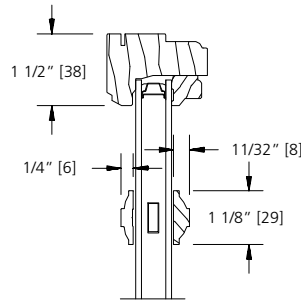
**7/8" SDL BAR
(PUTTY/PUTTY)**



**1 1/8" SDL BAR
(PUTTY/PUTTY)**



**7/8" SDL BAR
(BEAD STOP)**



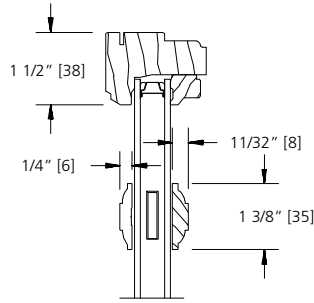
**1 1/8" SDL BAR
(BEAD STOP)**

Continued on next page

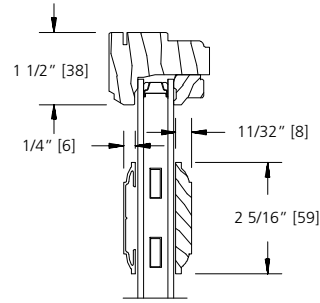
Scale: 3" = 1'

GLAZING OPTIONS

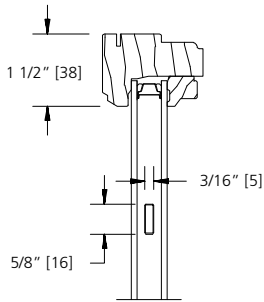
INTERIOR GLAZED
INSULATED 3/4" [19] GLASS



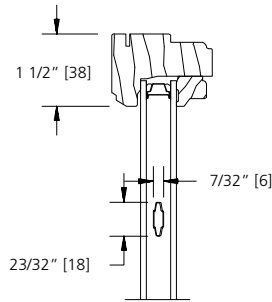
**1 3/8" SDL BAR
(BEAD STOP)**



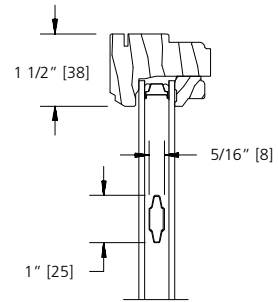
**2 5/16" SDL BAR
(BEAD STOP)**



**5/8" FLAT
GBG**



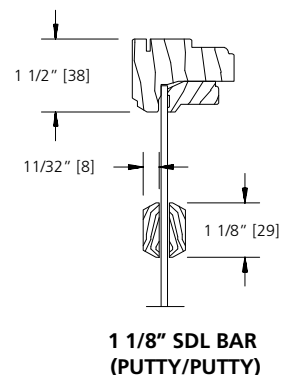
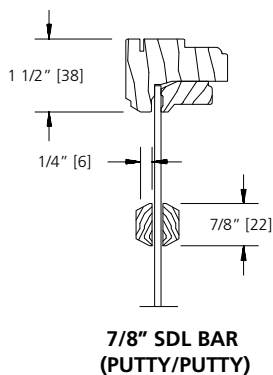
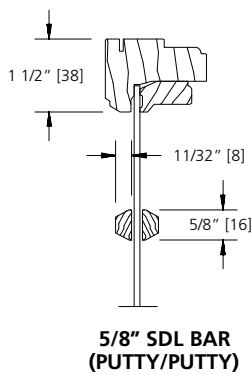
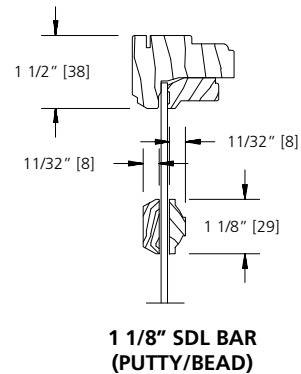
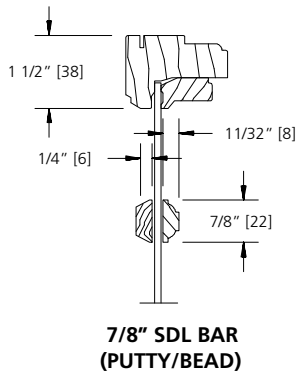
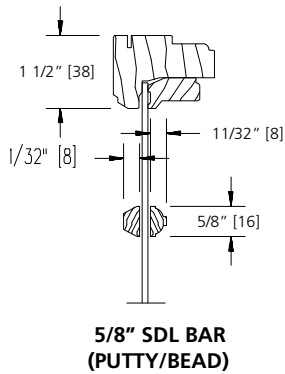
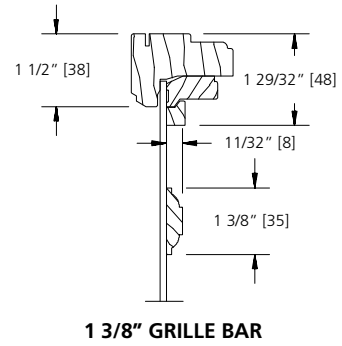
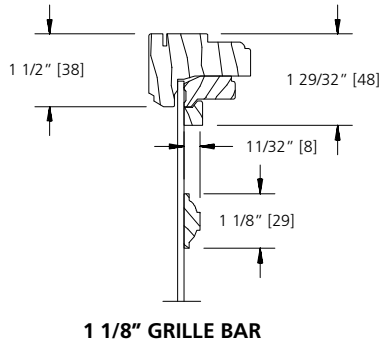
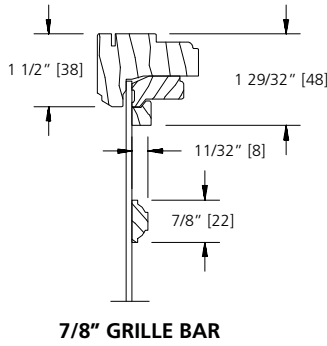
**23/32" CONTOUR
GBG**



**1" CONTOUR
GBG**

GLAZING OPTIONS

INTERIOR GLAZED
SINGLE GLAZED 1/8" [3] GLASS

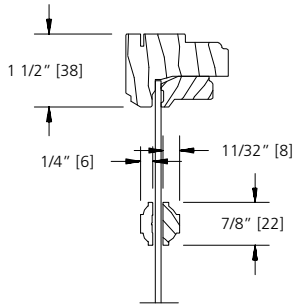


Continued on next page

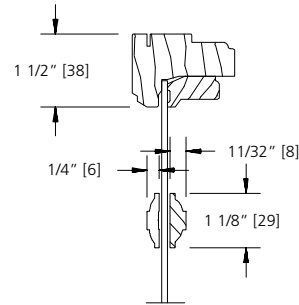
Scale: 3" = 1'

GLAZING OPTIONS

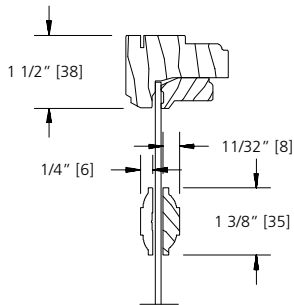
INTERIOR GLAZED
SINGLE GLAZED 1/8" [3] GLASS



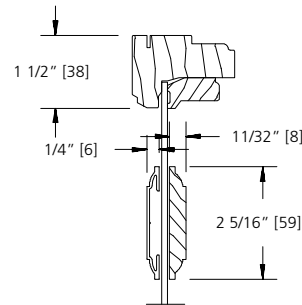
**7/8" SDL BAR
(BEAD STOP)**



**1 1/8" SDL BAR
(BEAD STOP)**



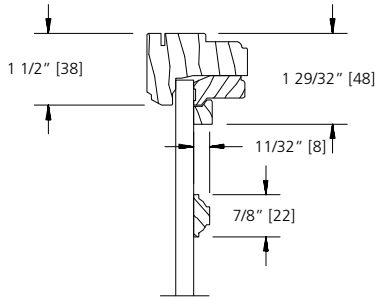
**1 3/8" SDL BAR
(BEAD STOP)**



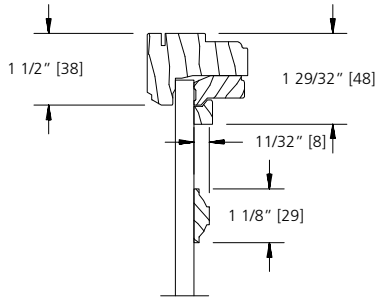
**2 5/16" SDL BAR
(BEAD STOP)**

GLAZING OPTIONS

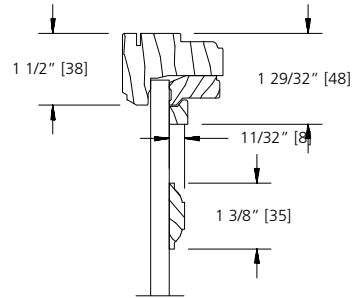
INTERIOR GLAZED
IMPACT RESISTANT GLASS



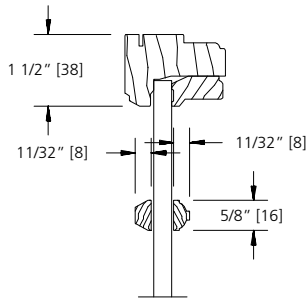
7/8" GRILLE BAR



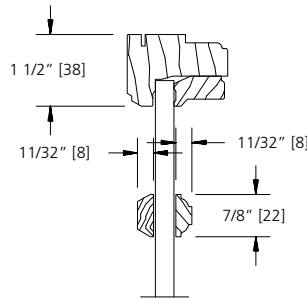
1 1/8" GRILLE BAR



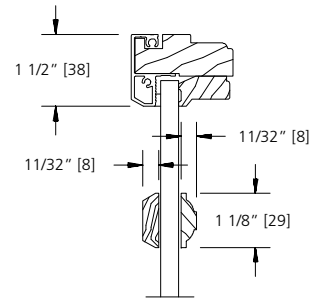
1 3/8" GRILLE BAR



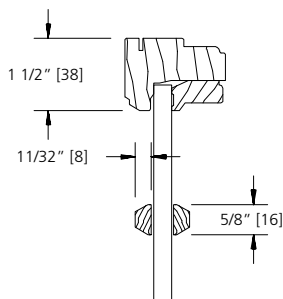
**5/8" SDL BAR
(PUTTY/BEAD)**



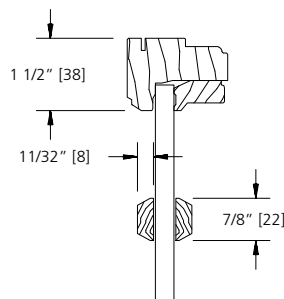
**7/8" SDL BAR
(PUTTY/BEAD)**



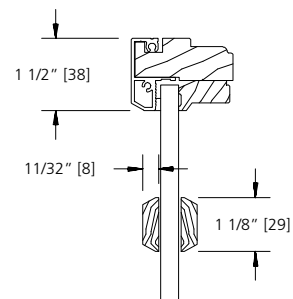
**1 1/8" SDL BAR
(PUTTY/BEAD)**



**5/8" SDL BAR
(PUTTY/PUTTY)**



**7/8" SDL BAR
(PUTTY/PUTTY)**



**1 1/8" SDL BAR
(PUTTY/PUTTY)**

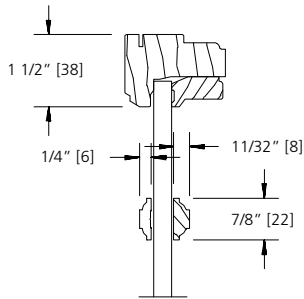
Continued on next page

Scale: 3" = 1'

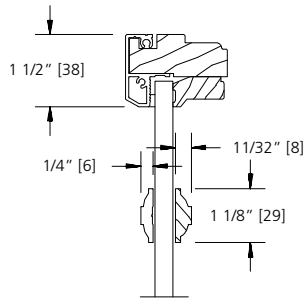
GLAZING OPTIONS

INTERIOR GLAZED

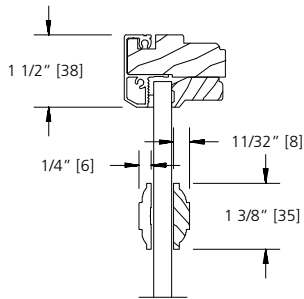
IMPACT RESISTANT GLASS



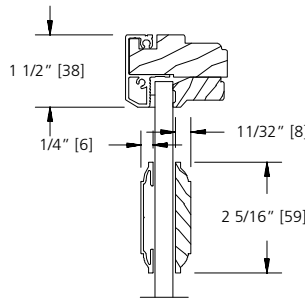
**7/8" SDL BAR
(BEAD STOP)**



**1 1/8" SDL BAR
(BEAD STOP)**



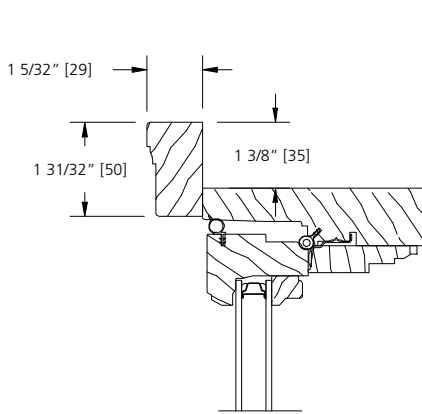
**1 3/8" SDL BAR
(BEAD STOP)**



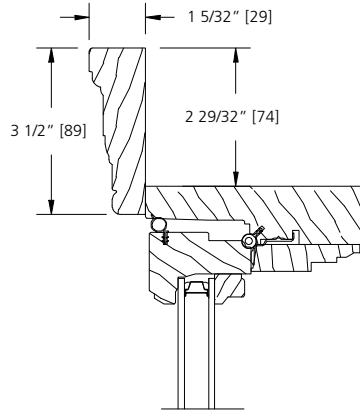
**2 5/16" SDL BAR
(BEAD STOP)**

TRIM OPTIONS

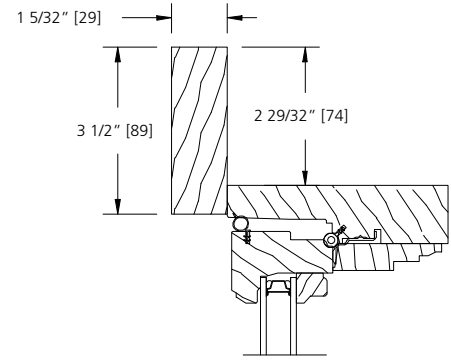
WOOD EXTERIOR TRIM



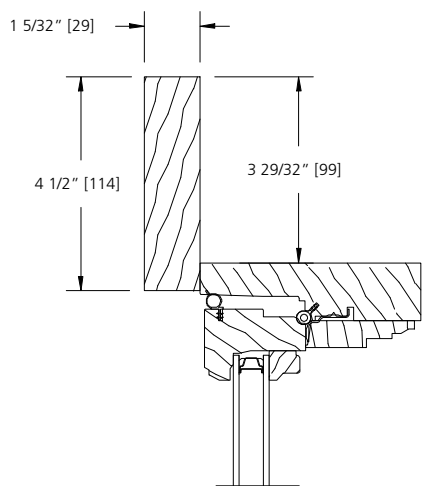
BRICKMOULD



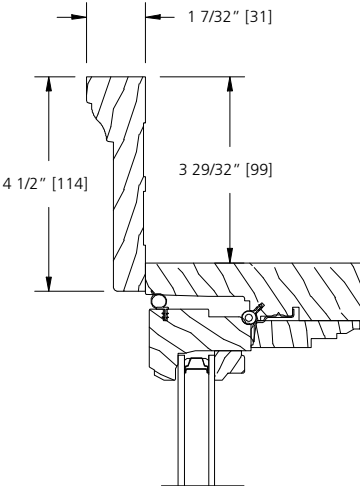
ADAMS CASING



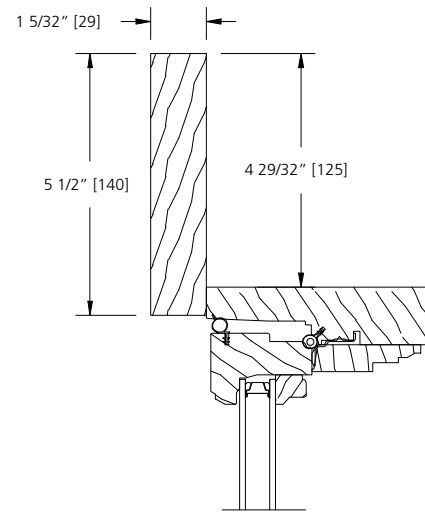
3 1/2" FLAT CASING



4 1/2" FLAT CASING

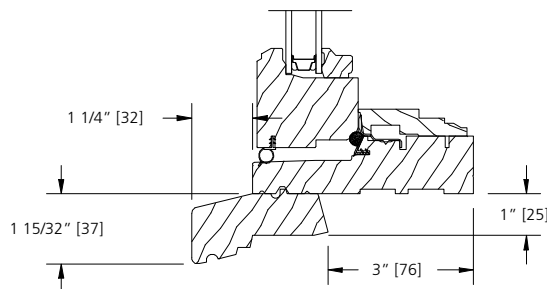


1 X 4 BACKBAND CASING

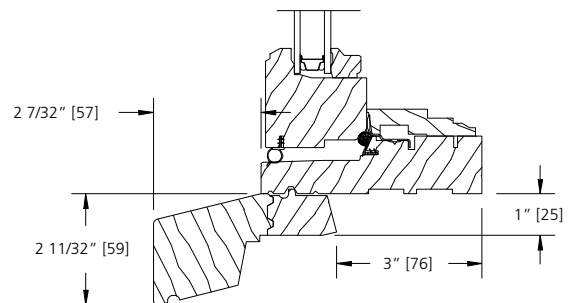


5 1/2" FLAT CASING

WOOD SUBSILL OPTIONS



WOOD SUBSILL



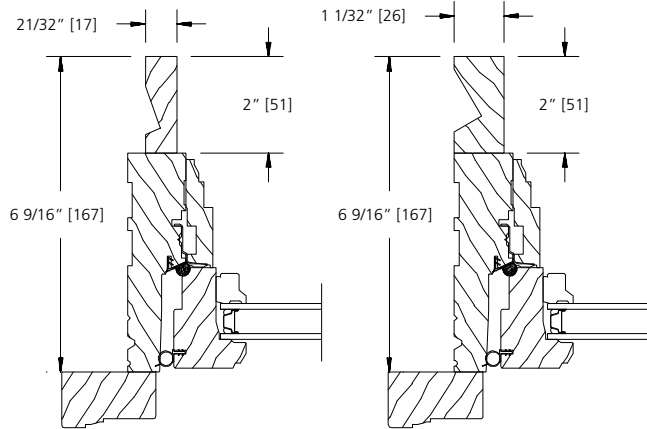
WOOD HISTORICAL SUBSILL

Available on Double-Hung units only

SCALE: 3" = 1'

JAMB EXTENDER & STUCCO TRIM OPTIONS

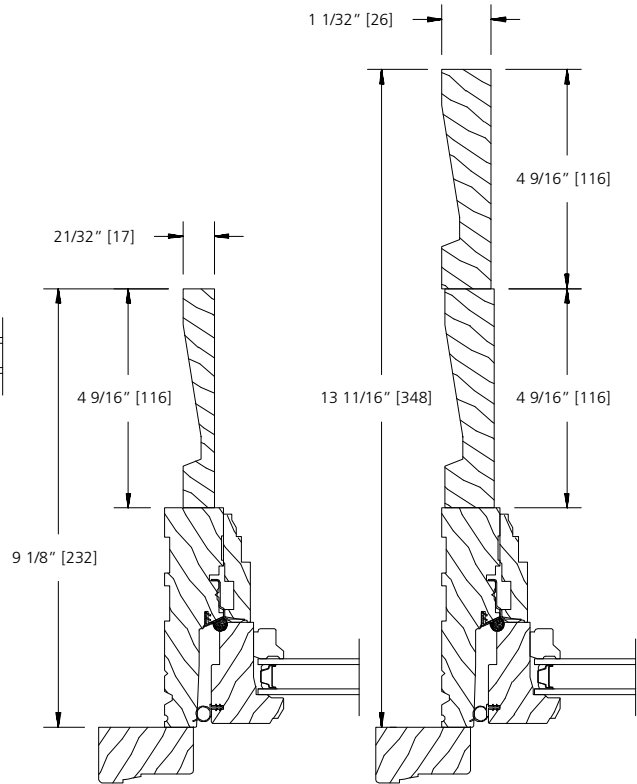
JAMB EXTENDER OPTIONS



**2" 4/4 OPTIONAL
JAMB EXTENDER**

**2" 5/4 OPTIONAL
JAMB EXTENDER**

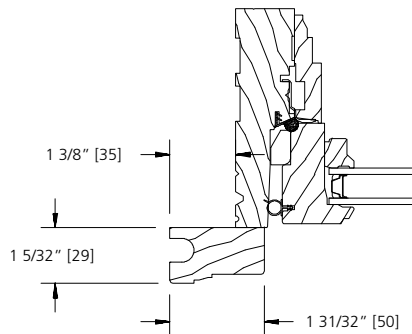
MAXIMUM JAMB WIDTHS



**4 9/16" 4/4 OPTIONAL
JAMB EXTENDER**

**4 9/16" 5/4 OPTIONAL
JAMB EXTENDER**

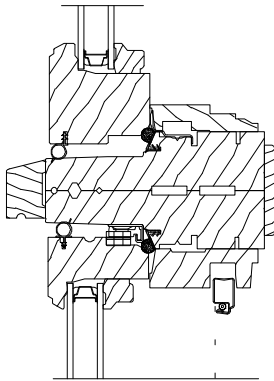
STUCCO TRIM OPTION



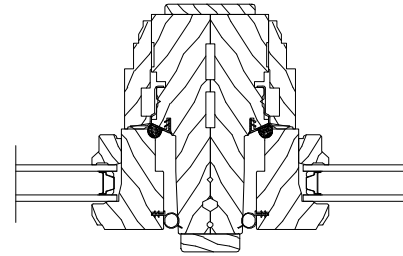
**SIDE
STUCCO BRICKMOULD**

SCALE: 3" = 1'

**MULLION DETAILS
WITH CUSTOM CASEMENT**

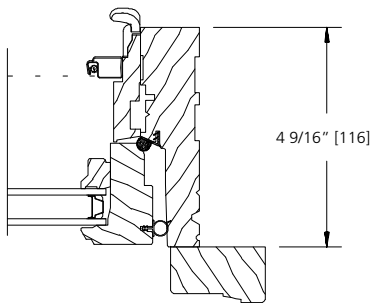


**HORIZONTAL MULLION
IN-SASH GEOMETRIC
CUSTOM CASEMENT
4 9/16" & 6 9/16" JAMB**

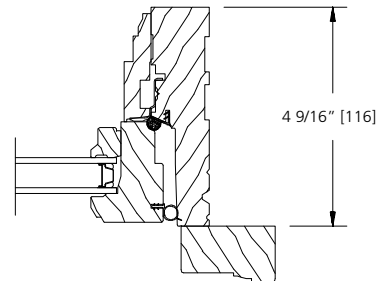


**VERTICAL MULLION
AT IN-SASH GEOMETRIC
4 9/16" & 6 9/16" JAMB**

4 9/16" JAMB

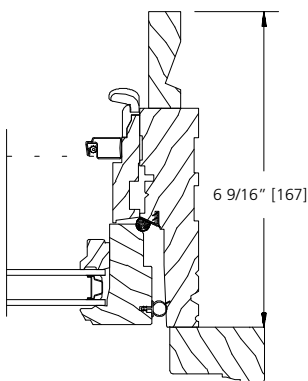


**VERTICAL JAMB
AT CUSTOM CASEMENT**

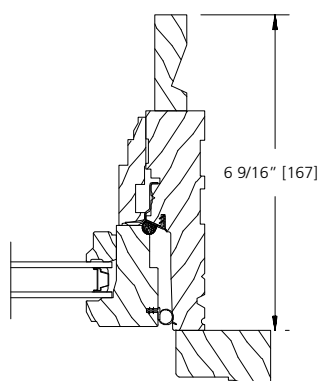


**VERTICAL JAMB
AT IN-SASH GEOMETRIC**

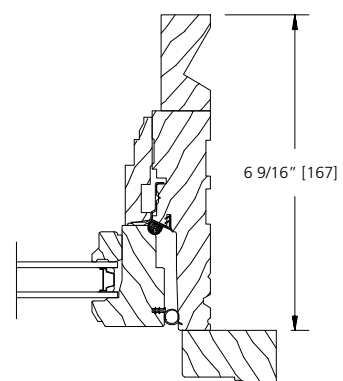
6 9/16" JAMB



**VERTICAL JAMB
AT CUSTOM CASEMENT
4/4 JAMB EXTENDER OPTION**



**VERTICAL JAMB
AT IN-SASH GEOMETRIC
4/4 JAMB EXTENDER OPTION**

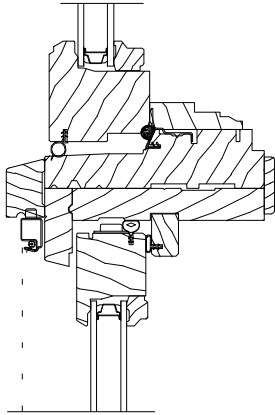


**VERTICAL JAMB
AT IN-SASH GEOMETRIC
5/4 JAMB EXTENDER OPTION**

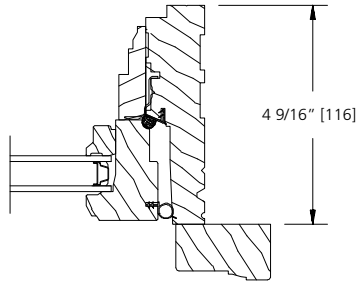
SCALE: 3" = 1'

**MULLION DETAILS
WITH CUSTOM DOUBLE-HUNG**

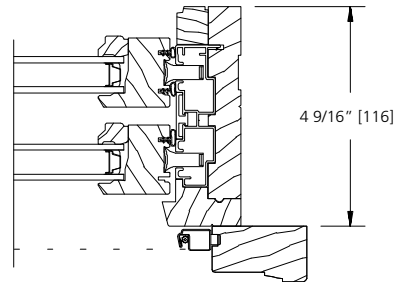
4 9/16" JAMB



IN-SASH GEOMETRIC
CUSTOM DOUBLE-HUNG
HORIZONTAL MULLION

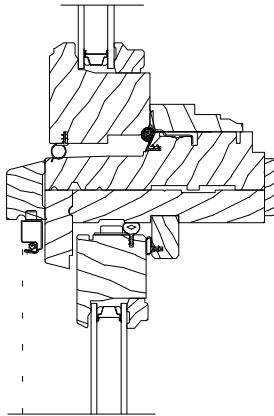


VERTICAL
AT IN-SASH GEOMETRIC

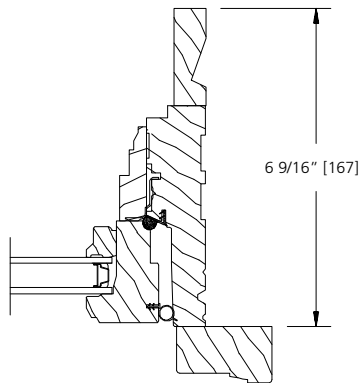


VERTICAL
AT CUSTOM DOUBLE-HUNG

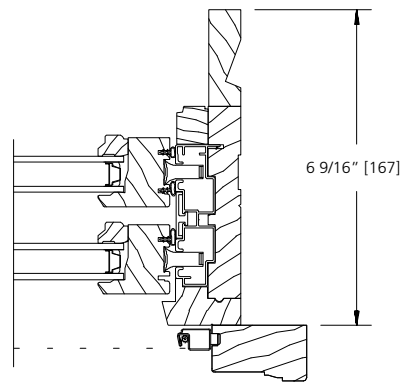
6 9/16" JAMB



IN-SASH GEOMETRIC
CUSTOM DOUBLE-HUNG
HORIZONTAL MULLION



VERTICAL
AT IN-SASH GEOMETRIC

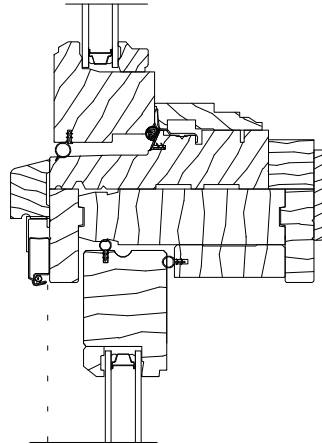


VERTICAL
AT CUSTOM DOUBLE-HUNG

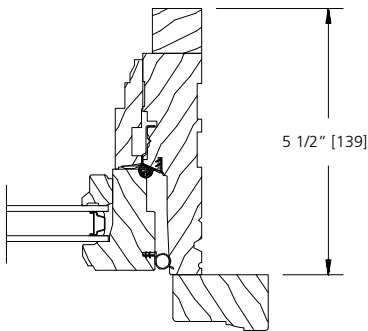
SCALE: 3" = 1'

**MULLION DETAILS
WITH CUSTOM EPIC DOUBLE-HUNG**

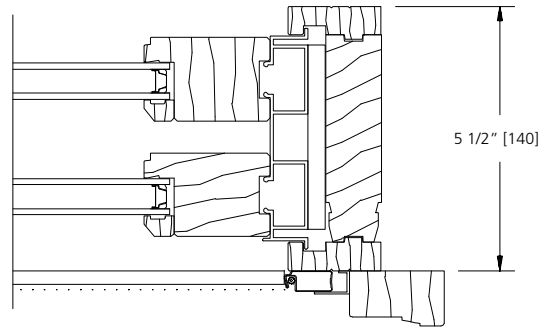
5 1/2" JAMB



**IN-SASH GEOMETRIC
EPIC DOUBLE-HUNG
HORIZONTAL MULLION**



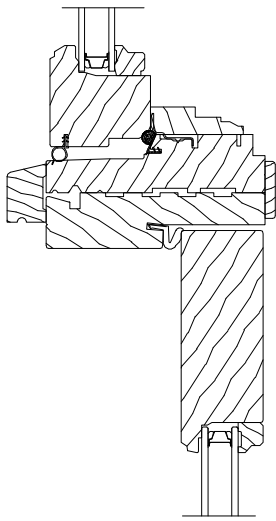
**VERTICAL
AT IN-SASH GEOMETRIC**



**VERTICAL JAMB
AT EPIC DOUBLE-HUNG**

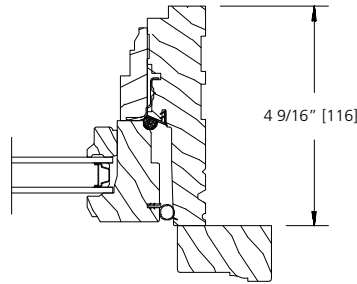
SCALE: 3" = 1'

**MULLION DETAILS
WITH CUSTOM IN-SWING DOOR**

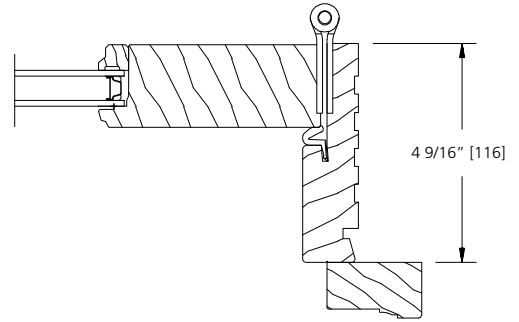


**IN-SASH GEOMETRIC
IN-SWING DOOR
HORIZONTAL MULLION**

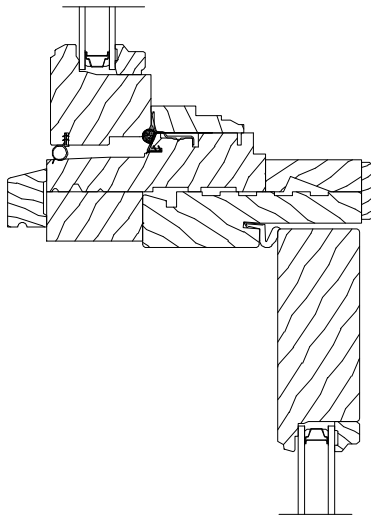
4 9/16" JAMB



**VERTICAL
AT IN-SASH GEOMETRIC**

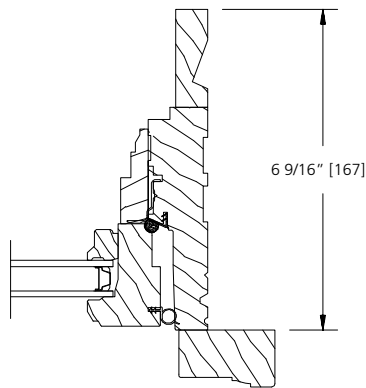


**VERTICAL
AT IN-SWING DOOR**

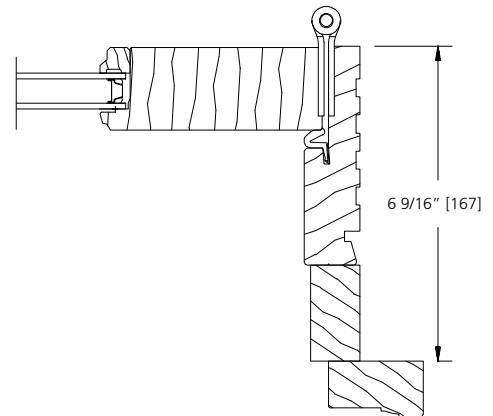


**IN-SASH GEOMETRIC
IN-SWING DOOR
HORIZONTAL MULLION**

6 9/16" JAMB



**VERTICAL
AT IN-SASH GEOMETRIC**

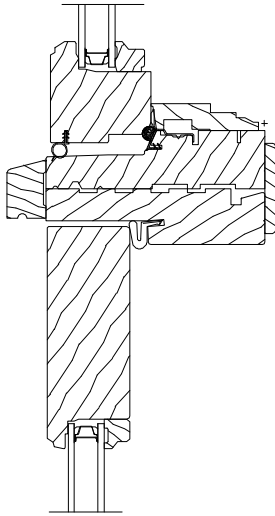


**VERTICAL
AT IN-SWING DOOR**

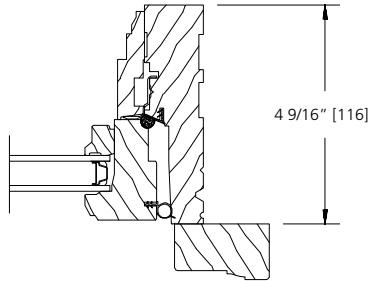
SCALE: 3" = 1'

**MULLION DETAILS
WITH CUSTOM OUT-SWING DOOR**

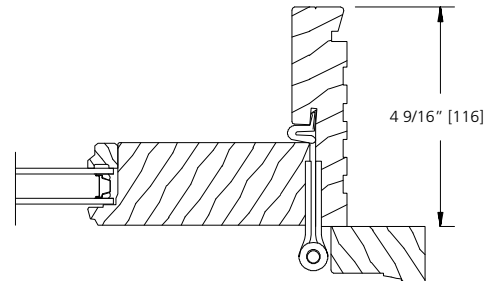
4 9/16" JAMB



**IN-SASH GEOMETRIC
OUT-SWING DOOR
HORIZONTAL MULLION**

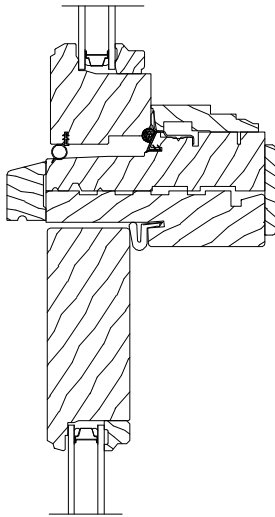


**VERTICAL
AT IN-SASH GEOMETRIC**

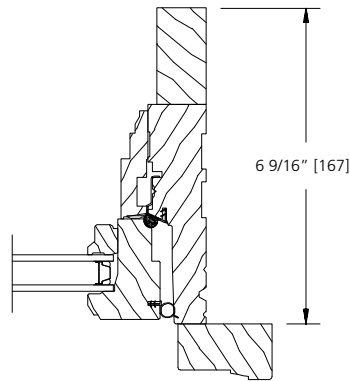


**VERTICAL
AT OUT-SWING DOOR**

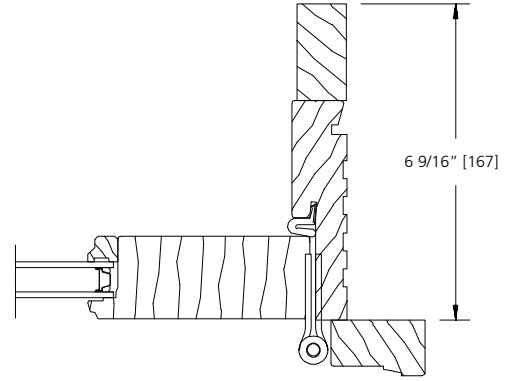
6 9/16" JAMB



**IN-SASH GEOMETRIC
OUT-SWING DOOR
HORIZONTAL MULLION**



**VERTICAL
AT IN-SASH GEOMETRIC**



**VERTICAL
AT OUT-SWING DOOR**

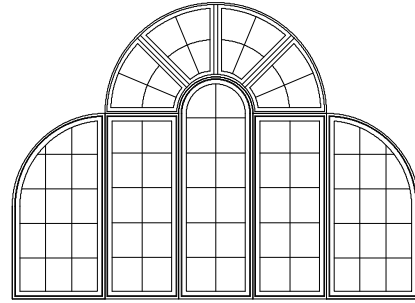
SCALE: 3" = 1'

LITE CUT INFORMATION

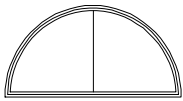
Wood geometric in-sash windows are available with removable grilles in 7/8", 1-1/8" and 1-3/8" widths, GBG (Grilles between the Glass), and Simulated Divided Lites.

BAR ALIGNMENT

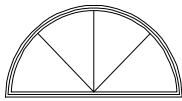
Alignment of divided lite muntin bars from one window to the next is often required by fine architectural design. Wood grilles, GBG (Grilles between the Glass), and Simulated Divided Lites may be specified with muntin bars aligned.



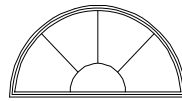
HALF ROUND BREAKUP PATTERNS



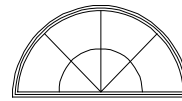
200 SERIES



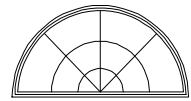
400 SERIES



500 SERIES



800 SERIES



1200 SERIES

QUARTER ROUND BREAKUP PATTERNS



200 SERIES

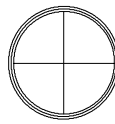


400 SERIES

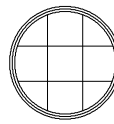


600 SERIES

FULL ROUND BREAKUP PATTERNS

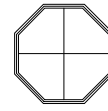


400 SERIES

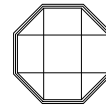


900 SERIES

OCTAGON BREAKUP PATTERNS



400 SERIES



900 SERIES

Continued on next page

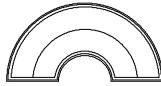
LITE CUT INFORMATION

INVERTED RADIUS SILL NOTE:

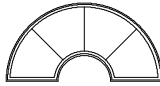
Windows with inverted radius sills have continuous head and sill configurations. The twin, triple and quad units utilize a mullion post as part of a single unit. Single lines represent grille and thermal bar lite break ups. Twin, triple and quad units are single units with mullion posts being represented by several lines.

INVERTED HALF ROUND BREAKUP PATTERNS

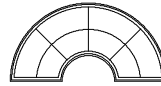
INVERTED HALF ROUND SILL



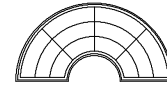
200 SERIES
RADIUS HUB



400 SERIES

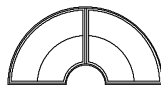


800 SERIES

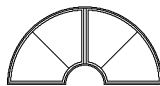


1200 SERIES

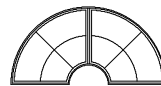
INVERTED HALF ROUND SILL - TWIN



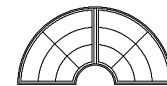
200 SERIES
RADIUS HUB



200 SERIES



400 SERIES

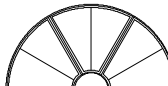


600 SERIES

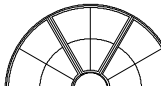
INVERTED HALF ROUND SILL - TRIPLE



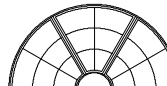
200 SERIES
RADIUS HUB



200 SERIES

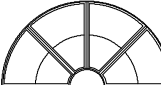


400 SERIES

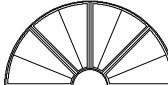


600 SERIES

INVERTED HALF ROUND SILL - QUAD



200 SERIES
RADIUS HUB



200 SERIES



400 SERIES



600 SERIES

INVERTED QUARTER ROUND BREAKUP PATTERNS

INVERTED QUARTER ROUND SILL



200 SERIES
RADIUS HUB



200 SERIES



400 SERIES



600 SERIES

INVERTED QUARTER ROUND SILL - TWIN



200 SERIES
RADIUS HUB



200 SERIES



400 SERIES



600 SERIES

INVERTED QUARTER ROUND SILL - TRIPLE



200 SERIES
RADIUS HUB



200 SERIES



400 SERIES

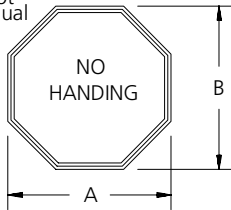


600 SERIES

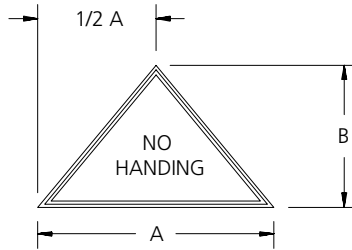
NARROW SASH LAYOUT SHAPES
ALL SIDES

ALL GEOMETRIC WINDOW SHAPES ARE VIEWED FROM THE EXTERIOR.

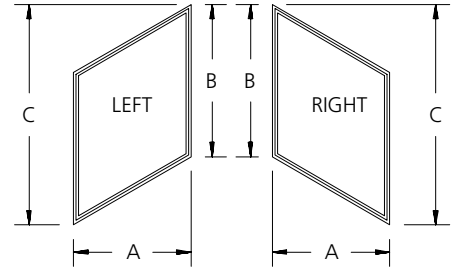
A and B do not have to be equal



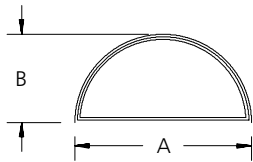
OCTAGON
FIXED OR OPERATOR



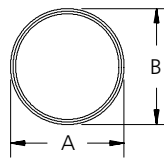
TRIANGLE
STATIONARY ONLY



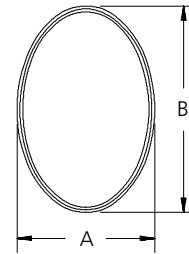
PARALLELOGRAM
STATIONARY ONLY



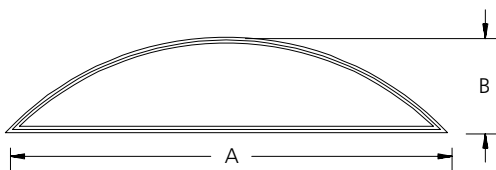
HALF ROUND
STATIONARY ONLY



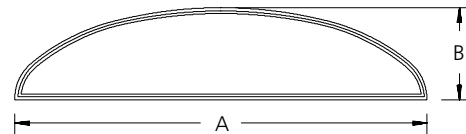
FULL ROUND
STATIONARY ONLY



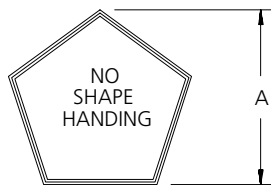
OVAL



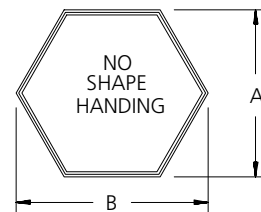
CIRCLE SEGMENT



ELLIPSE



EQUAL PENTAGON

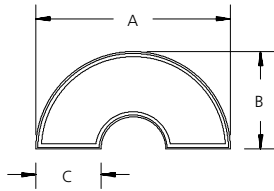


HEXAGON

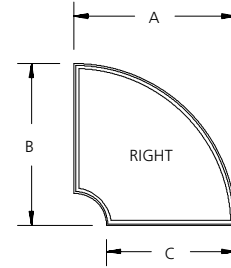
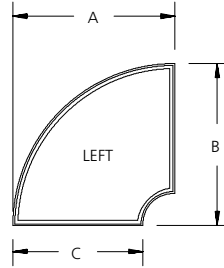
Continued on next page

NARROW SASH LAYOUT SHAPES
ALL SIDES

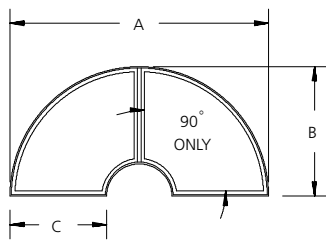
ALL GEOMETRIC WINDOW SHAPES ARE VIEWED FROM THE EXTERIOR.



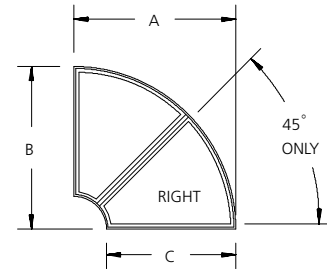
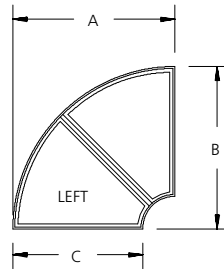
INVERTED HALF ROUND
STATIONARY ONLY



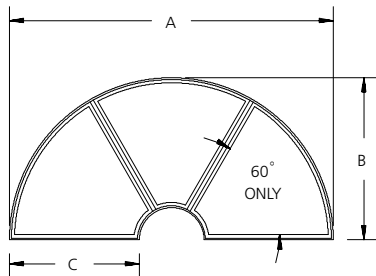
INVERTED QUARTER ROUND
STATIONARY ONLY



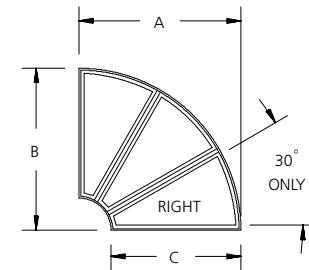
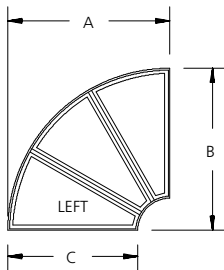
INVERTED HALF ROUND - TWIN
STATIONARY ONLY



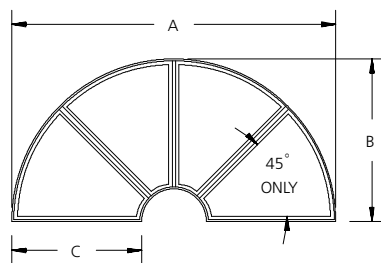
INVERTED QUARTER ROUND - TWIN
STATIONARY ONLY



INVERTED HALF ROUND - TRIPLE
STATIONARY ONLY



INVERTED QUARTER ROUND - TRIPLE
STATIONARY ONLY

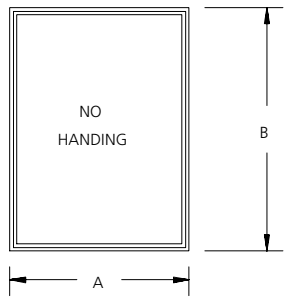


INVERTED HALF ROUND - QUAD
STATIONARY ONLY

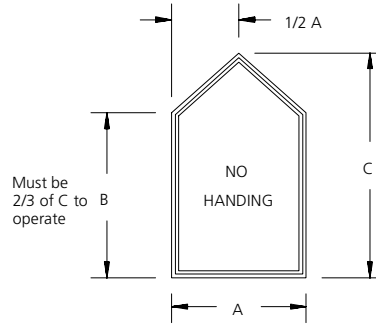
INVERTED HALF ROUND AND QUARTER ROUND UNITS

Inverted half round and quarter round units have continuous head and sill configurations which utilize mullion posts from frame to frame. See Section Details & Dimensions for mullion post specifications. The mullion posts are positioned radially from the center point of the sill radius.

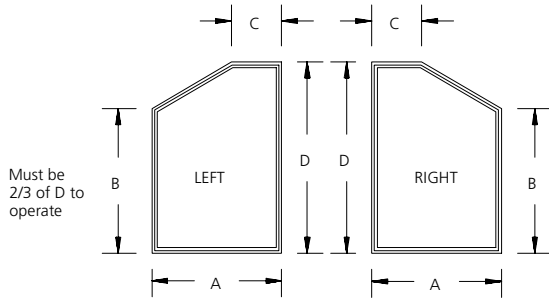
STANDARD WIDE BOTTOM RAIL SHAPES



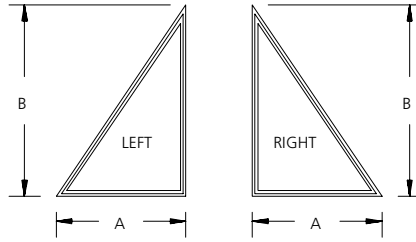
RECTANGLE
STATIONARY OR OPERATOR



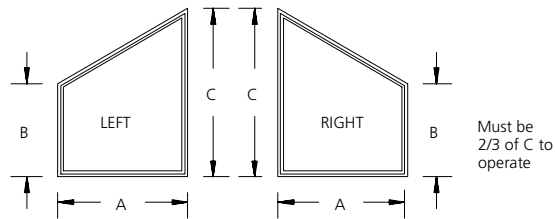
PENTAGON
STATIONARY OR OPERATOR



CLIPPED CORNER
STATIONARY OR OPERATOR



RIGHT TRIANGLE
STATIONARY ONLY

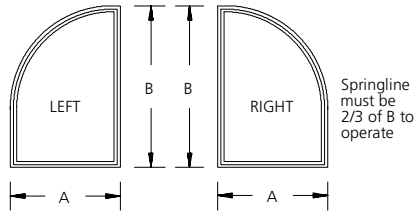


TRAPEZOID
STATIONARY OR OPERATOR

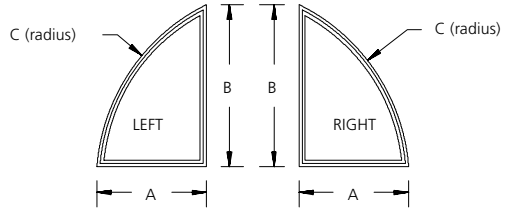
Continued on next page

STANDARD WIDE BOTTOM RAIL SHAPES

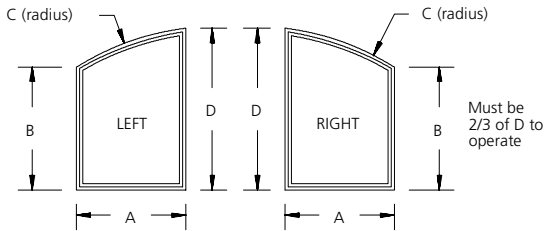
ALL GEOMETRIC WINDOW SHAPES ARE VIEWED FROM THE EXTERIOR.



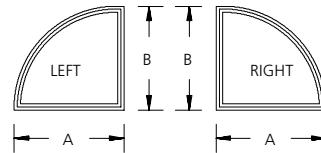
**EXTENDED
QUARTER ROUND**
STATIONARY OR OPERATOR



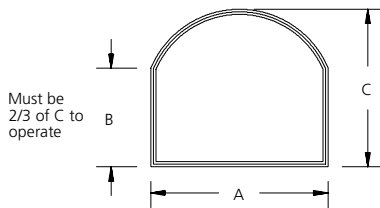
QUARTER SEGMENT
STATIONARY ONLY



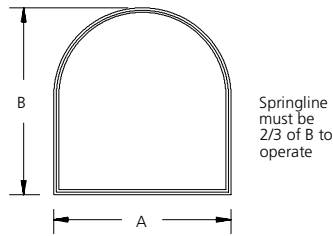
**EXTENDED
QUARTER SEGMENT**
STATIONARY OR OPERATOR



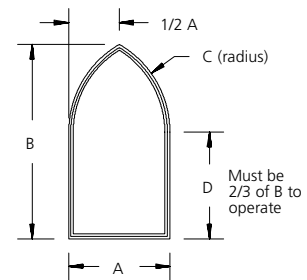
QUARTER ROUND
STATIONARY OR OPERATOR



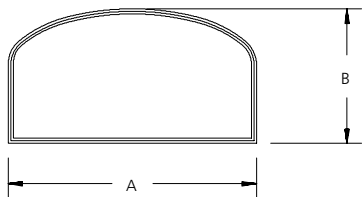
**EXTENDED
CIRCLE SEGMENT**
STATIONARY OR OPERATOR



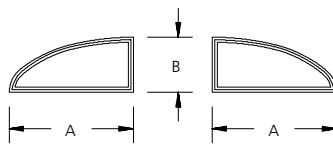
**EXTENDED
HALF ROUND**
STATIONARY OR OPERATOR



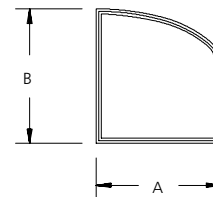
GOTHIC
STATIONARY OR OPERATOR



EXTENDED ELLIPSE



QUARTER ELLIPSE

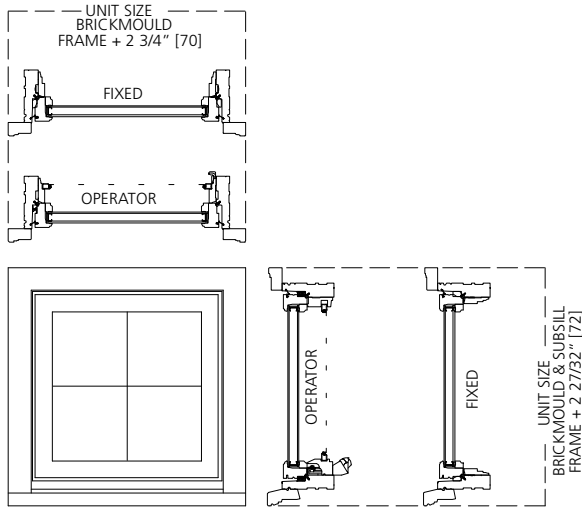


**EXTENDED
QUARTER ELLIPSE**

UNIT SIZING, ROUGH OPENINGS & MASONRY OPENINGS

STANDARD OFFERING

BRICKMOULD & SUBSILL



GENERAL NOTES:

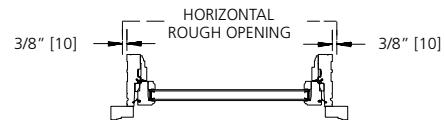
UNITS WITH NO TRIM AND SUBSILL:
UNIT SIZE = FRAME SIZE

UNIT SIZE IS ALWAYS THE
EXTREME SIZE OF THE WINDOW
WITH OR WITHOUT TRIM

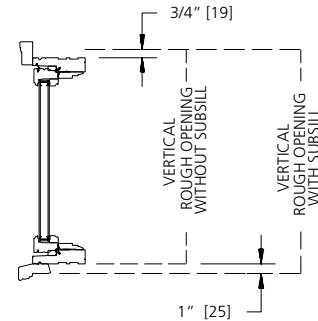
MASONRY OPENING:
MASONRY OPENING IS ALWAYS 1/2" OVER
THE UNIT SIZE OF THE WINDOW

ROUGH OPENING:

ROUGH OPENING IS ALWAYS 3/4" OVER
FRAME SIZE OF THE WINDOW

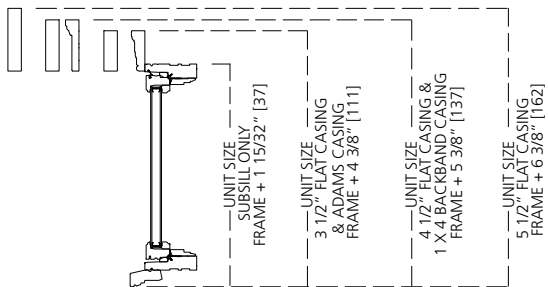


EXCEPTION: SEE DRAWING BELOW

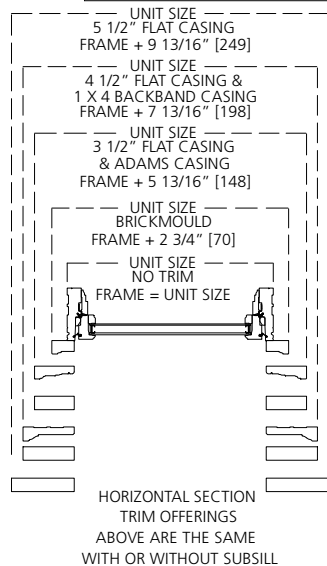
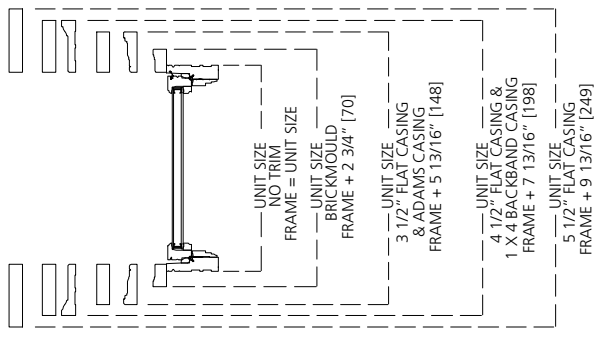


NON-STANDARD UNIT SIZING

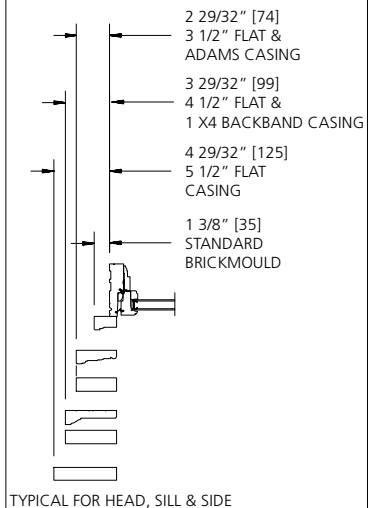
EXTERIOR TRIM OFFERINGS WITH SUBSILL



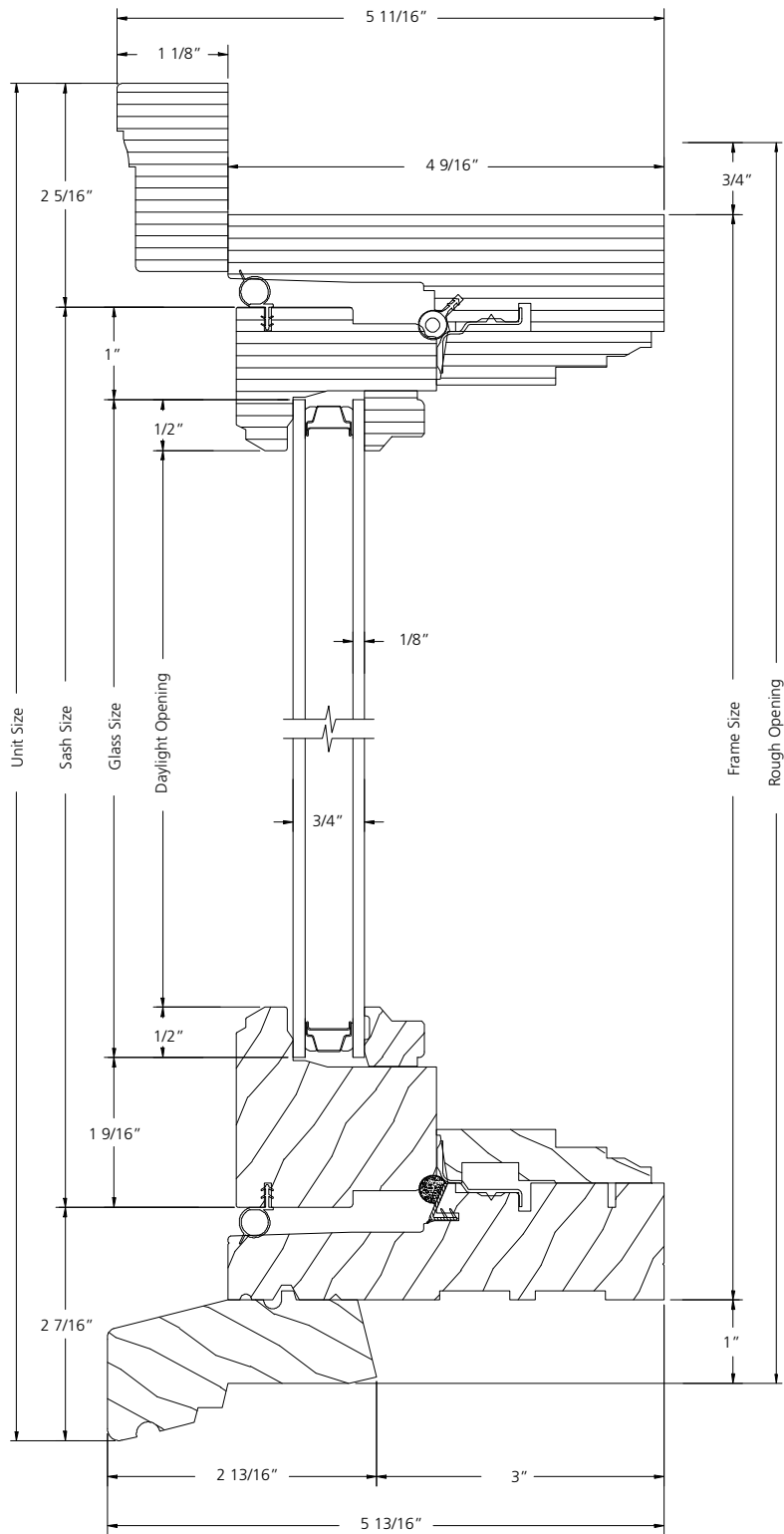
EXTERIOR TRIM OFFERINGS WITHOUT SUBSILL
EXTERIOR TRIM ON ALL 4 SIDES



FRAME TO TRIM DIMENSIONS



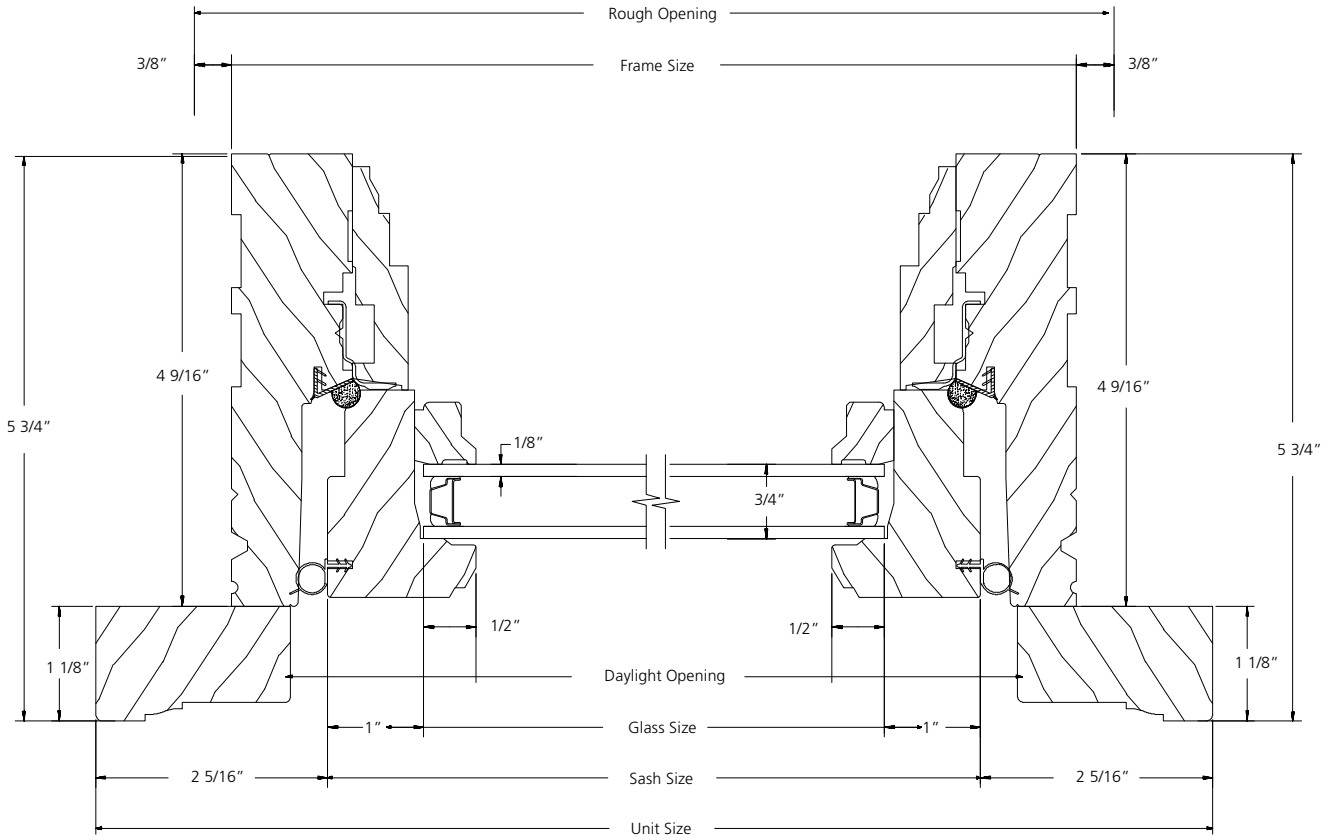
STATIONARY UNIT



VERTICAL SECTION

SCALE: 6" = 1'

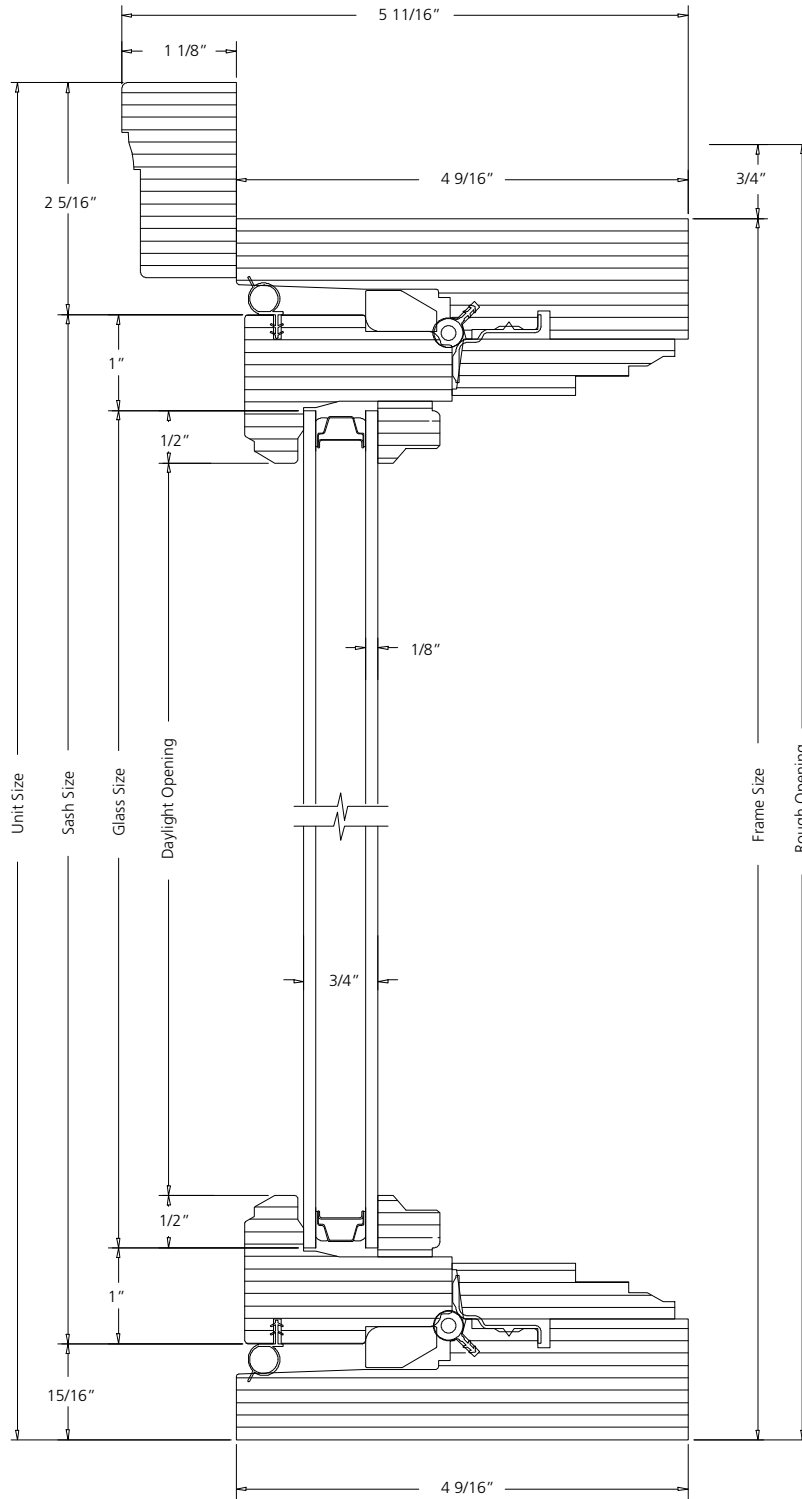
STATIONARY UNIT



HORIZONTAL SECTION

SCALE: 6" = 1'

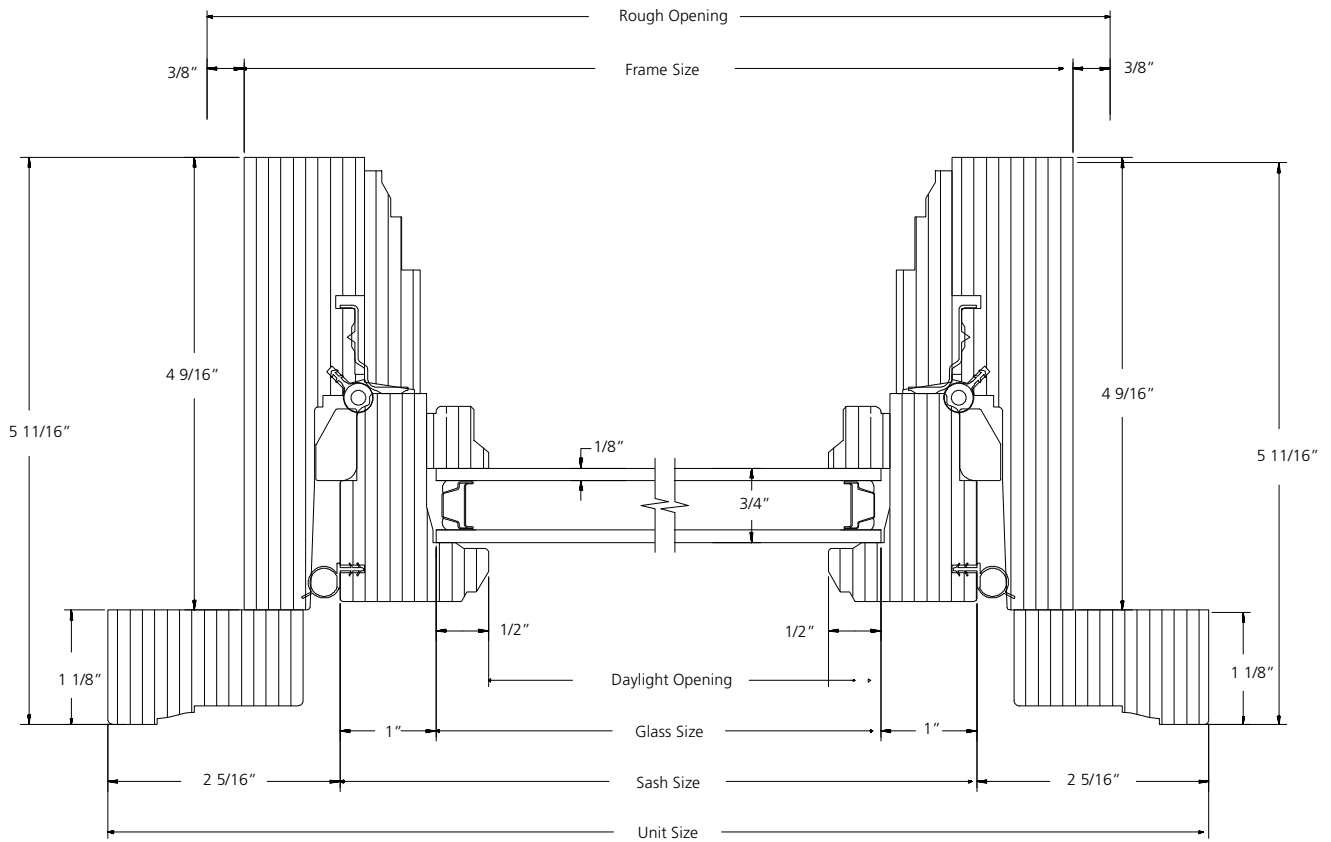
INVERTED RADIUS SILL



VERTICAL SECTION

SCALE: 6" = 1'

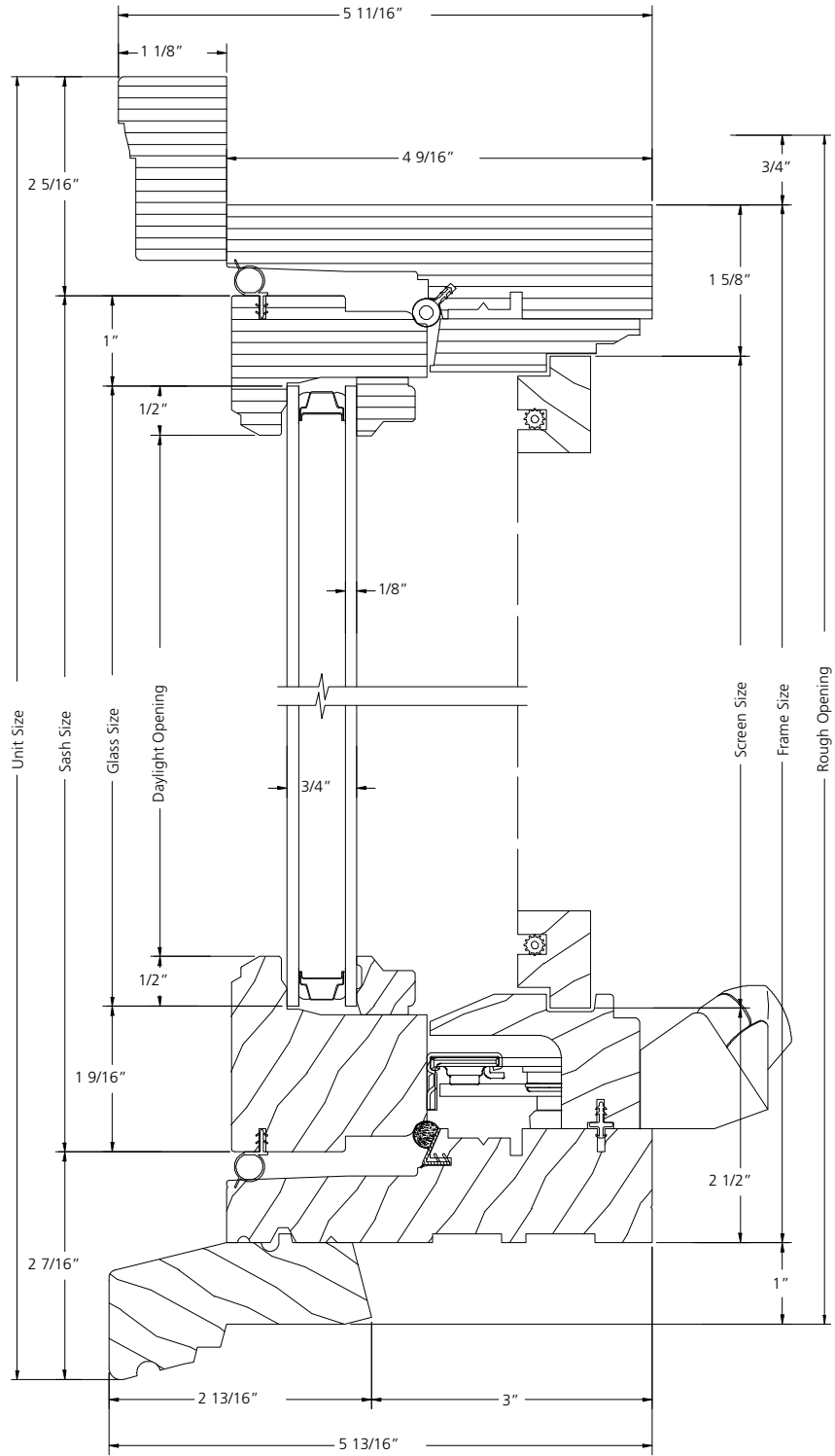
INVERTED RADIUS SILL



HORIZONTAL SECTION

SCALE: 6" = 1'

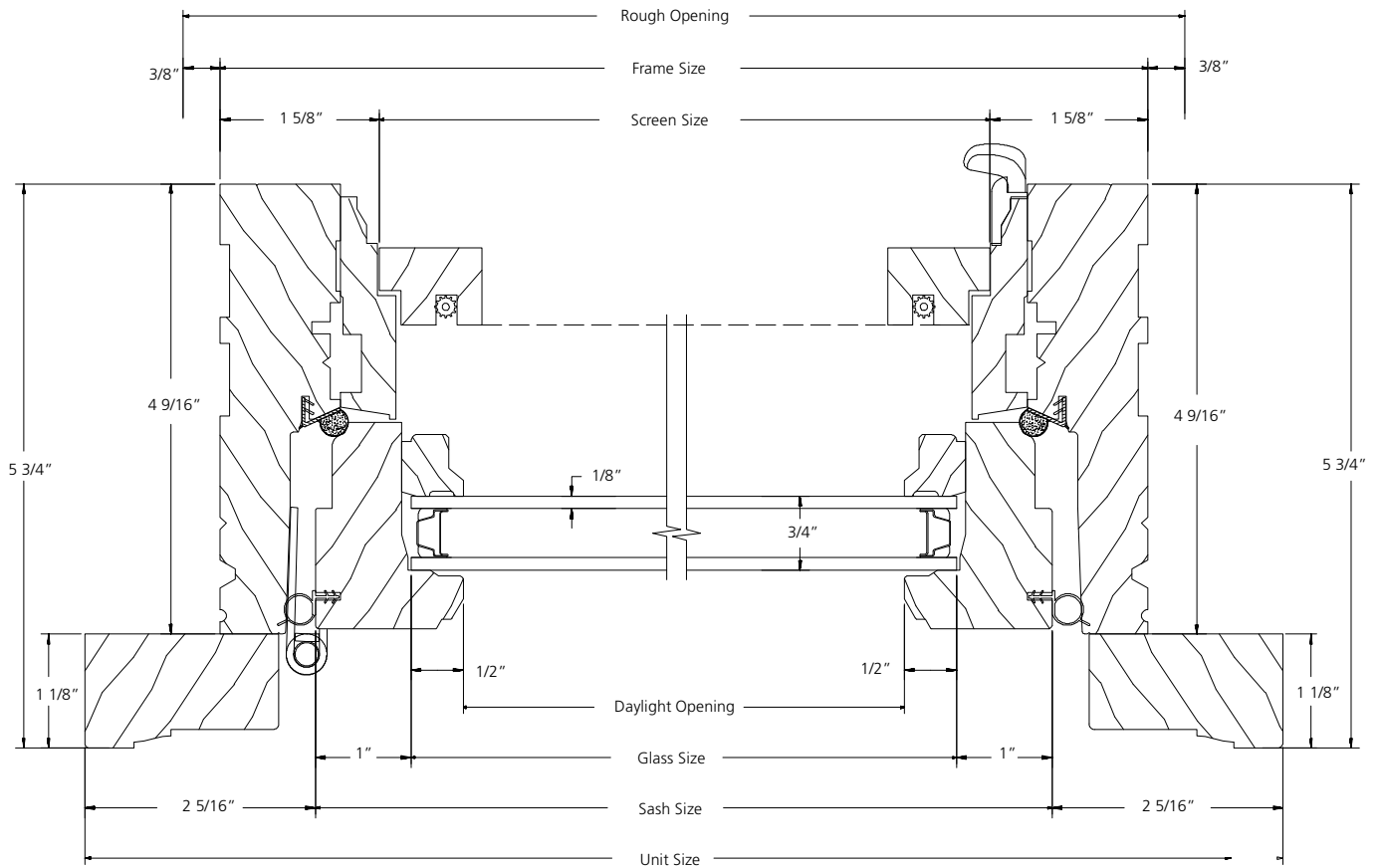
RADIUS HEAD



VERTICAL SECTION

SCALE: 6" = 1'

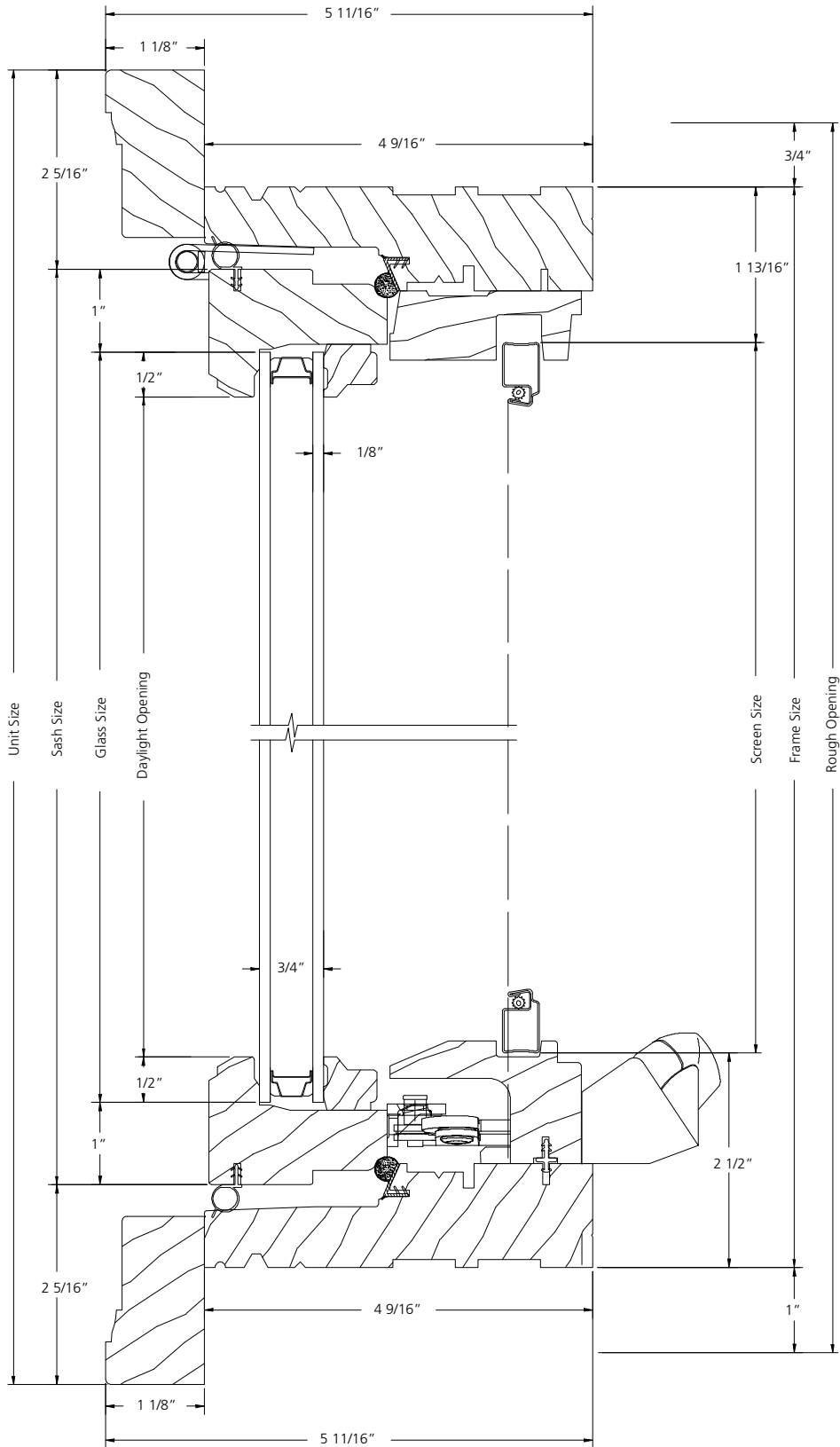
RADIUS HEAD



HORIZONTAL SECTION

SCALE: 6" = 1'

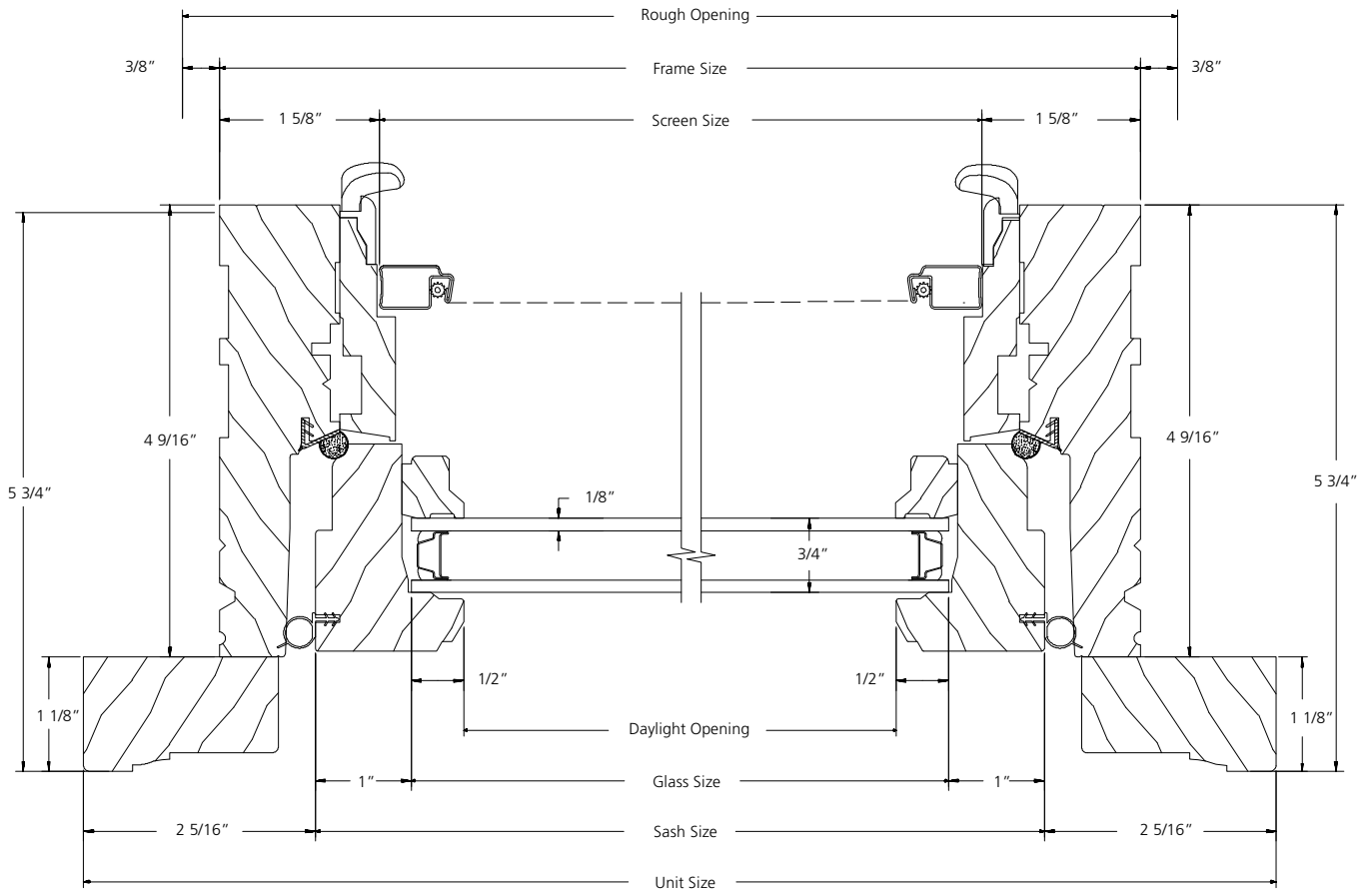
OCTAGONS



VERTICAL SECTION

SCALE: 6" = 1'

OCTAGONS



HORIZONTAL SECTION

SCALE: 6" = 1'