

---

TABLE OF CONTENTS

---

General Information . . . . . 27-2

Elevation Notes . . . . . 27-3

Lite Cut Information . . . . . 27-4

Standard Lite Cut Tables . . . . . 27-5

Clear Opening Design Tables . . . . . 27-6

Clear Opening Layout . . . . . 27-7

Unit Sizing, Rough Openings & Masonry Openings . . . . . 27-8

Trim Options . . . . . 27-9

Rail, Panel & Sill Options . . . . . 27-10

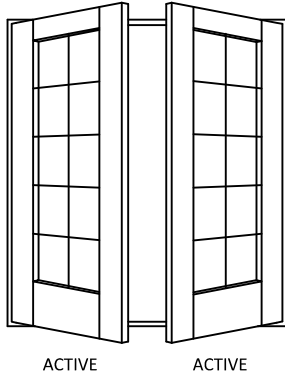
Mullion Details . . . . . 27-13

Hardware Options . . . . . 27-14

Section Details . . . . . 27-15

Min & Max Sizing . . . . . 27-22

GENERAL INFORMATION



**DIMENSIONAL DOORS**

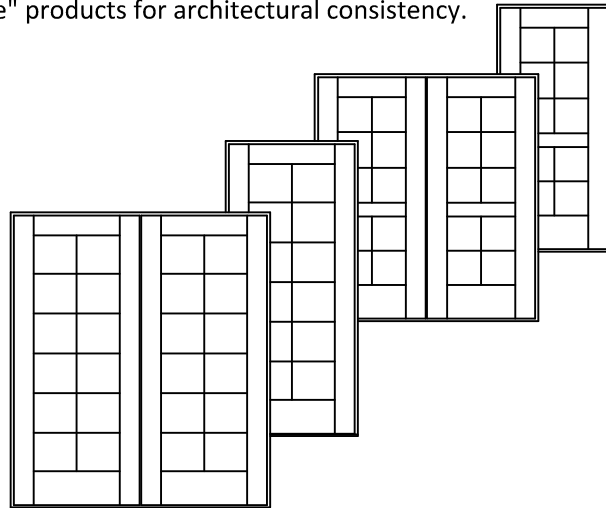
Custom Clad Epic 2 1/4" Out-Swing doors may be specified as "dimensional", by adjusting the desired rough opening width or height in 1/16" increments from standard.

The Custom Clad Epic 2 1/4" Out-Swing doors are available with a variety of Commercial hardware options for institutional and commercial applications. Commercial hardware options include a variety of finishes and exposed or concealed rod locking mechanisms.

Custom Clad Epic 2 1/4" Out-Swing doors are available in single & twin styles. The standard size range includes sizes specifically designed for replacement of older door models in existing structures, as well as a full range of "true size" products for architectural consistency.

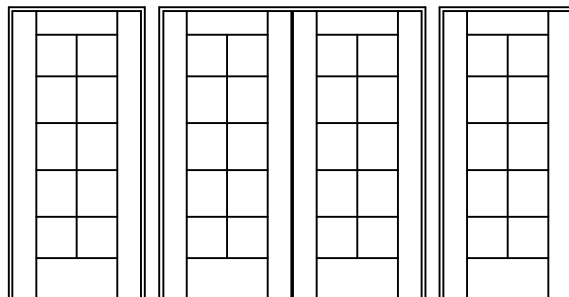
**OPERATION**

Custom Clad Epic 2 1/4" Out-Swing doors are available in single & twin operating styles. Single panel doors may be specified as stationary (non-venting) or can operate left or right. Two-panel doors feature two operating panels, both of which are active. Configuration and handing is based on viewing the door from the exterior.



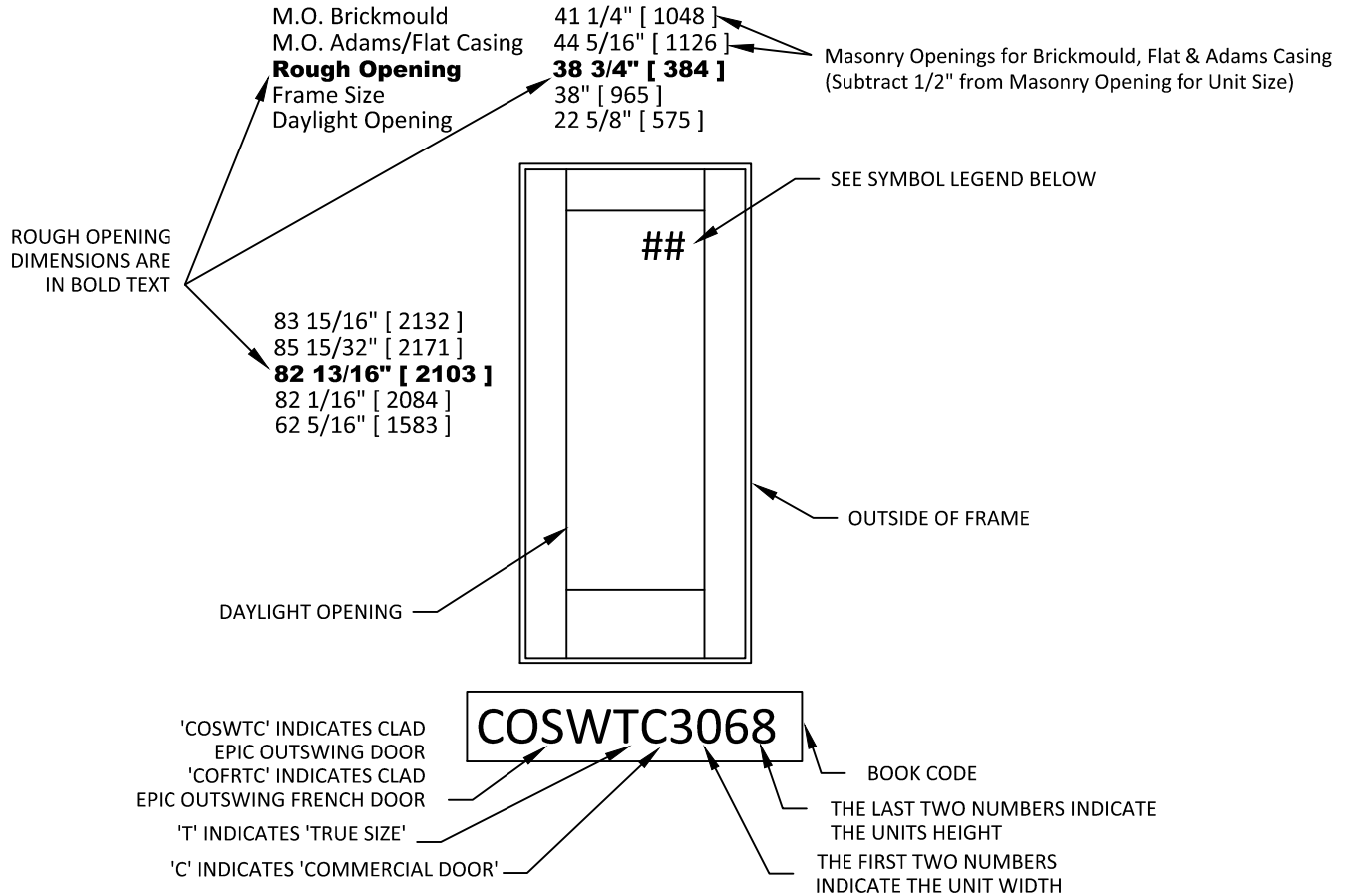
**MULTIPLE ASSEMBLIES**

Custom Clad Epic 2 1/4" outswing doors may be mullied below, or beside other clad door and clad window products. Factory assembled mulls are limited in height (100"), width (150").



ELEVATION NOTES

ELEVATION DRAWINGS UTILIZE A LIMITED NUMBER OF PROJECTED LINES TO PRODUCE A RUDIMENTARY DRAWING INTENDED TO BE USED IN A SMALL GRAPHICAL SCALE. ELEVATIONS ARE VIEWED PERPENDICULAR FROM THE EXTERIOR OF THE STRUCTURE. IF MORE DIMENSIONS ARE NEEDED, USE THE SECTION DRAWINGS FOR MORE COMPLETE DEPICTIONS.



GENERAL SWINGING DOOR NOTES

1. CLAD EPIC OUTSWING DOOR (COSWTC) UNITS ARE AVAILABLE AS OPERATING OR FIXED UNITS.
2. UNIT ELEVATIONS ARE SHOWN WITHOUT EXTERIOR TRIM. UNIT SIZES & MASONRY OPENING DIMENSIONS WILL CHANGE WITH THE ADDITION OF EXTERIOR TRIM. SEE THE 'UNIT SIZING, ROUGH OPENINGS & MASONRY OPENINGS' PAGE FOR EXTERIOR TRIM EFFECTS.
3. OPERATING UNITS ARE AVAILABLE AS LEFT OR RIGHT HAND OPERATION.
4. HANDICAP SILL AND 11" BOTTOM RAILS ARE STANDARD ON ALL UNITS.
5. INTERMEDIATE LOCK RAILS & RAISED PANELS ARE AVAILABLE FOR ALL UNITS.

ELEVATION SYMBOL LEGEND

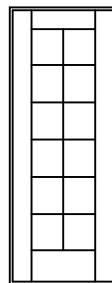
- (F) PANEL IS AVAILABLE AS FIXED ONLY.
- ## NUMBER INDICATES DESIGN PRESSURE (DP) RATING WITH STANDARD GLAZING. OPERATING UNITS ARE WITHOUT LOCKING HARDWARE.

LITE CUT INFORMATION

Custom Clad Epic 2 1/4" Out-Swing doors are available with removable grilles in 5/8", 7/8", 1-1/8" and 1-3/8" widths, with grilles between the glass (GBG), or with Simulated Divided Lites. Standard lite cuts are rectangular, and conform to the layouts noted in the charts on the next page. To use the chart, refer to the appropriate table by the type of patio door and type of bars or grilles the section drawings illustrate. Then simply cross reference the frame height and width to determine the standard lite cut.

LITE CUT OPTIONS

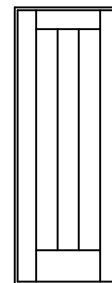
Special lite cut patterns can include a wide variety of straight line and radius patterns. The illustrations shown here represent just a few of the possibilities. Rectangular, horizontal, vertical and Prairie lite patterns are available in all standard size clad Epic swinging doors. Uneven, diamond, radius and Gothic lite cuts are available, subject to approval. Approvals are based on the ability to fulfill the design requirement while maintaining the construction integrity of the finished product.



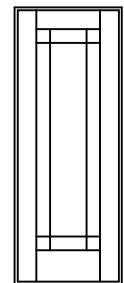
RECTANGULAR



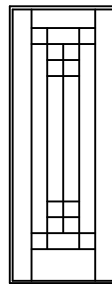
HORIZONTAL



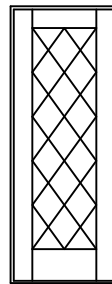
VERTICAL



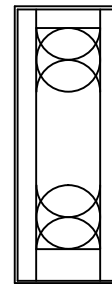
PRAIRIE



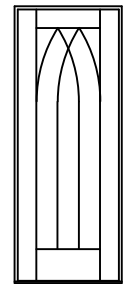
UNEVEN



DIAMOND



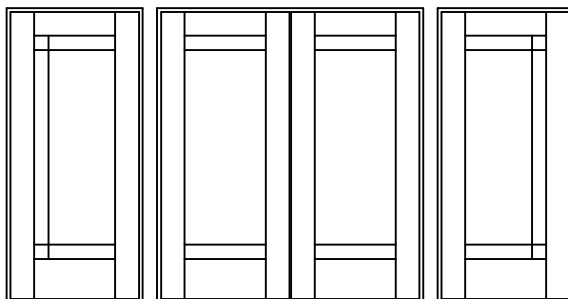
RADIUS



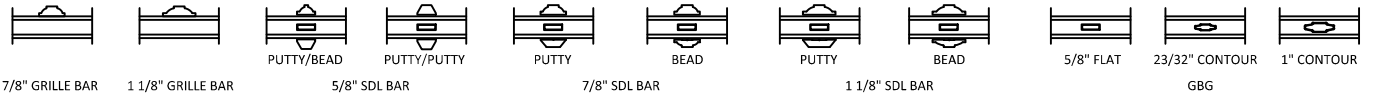
GOTHIC

BAR ALIGNMENT

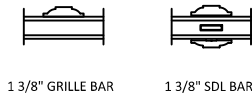
Alignment of divided lite muntin bars from one product to the next is often required by fine architectural design. Wood grilles, GBG's, and Simulated Divided Lites may be specified with muntin bars aligned.



STANDARD LITE CUT TABLES



	COSWTC	Width Callout		
		3-0	3-6	3-8
Height Callout	6-8	2W 5H	2W 5H	2W 5H
	7-0	2W 5H	2W 5H	2W 5H
	8-0	2W 6H	2W 6H	2W 6H
	9-0	2W 7H	2W 7H	2W 7H

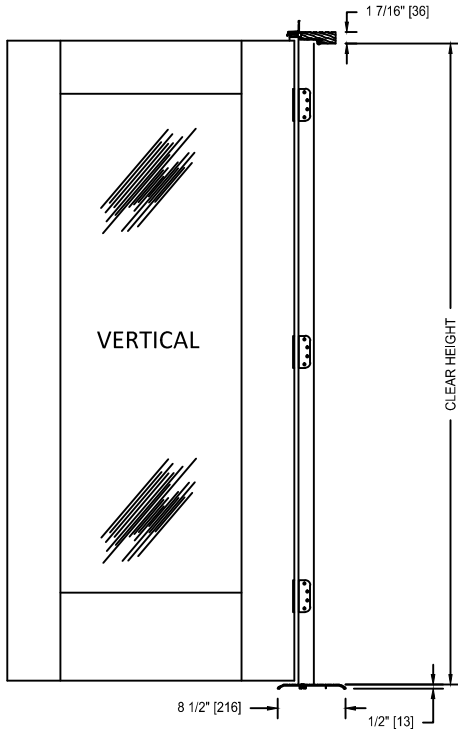


	COSWTC	Width Callout		
		3-0	3-6	3-8
Height Callout	6-8	2W 5H	2W 5H	2W 5H
	7-0	2W 5H	2W 5H	2W 5H
	8-0	2W 6H	2W 6H	2W 6H
	9-0	2W 7H	2W 7H	2W 7H

CLEAR OPENING/DESIGN DATA TABLE

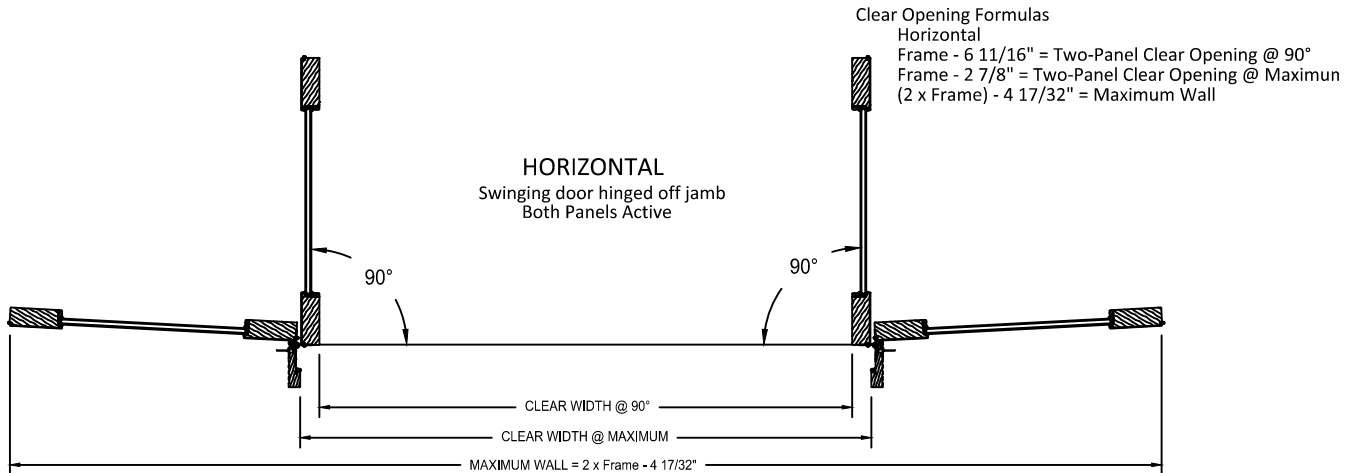
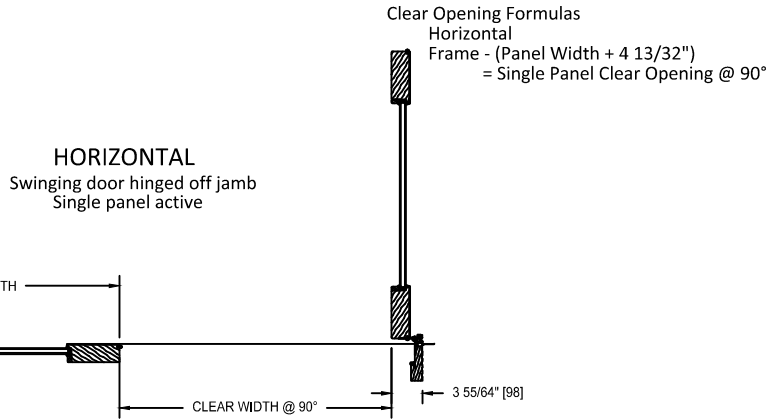
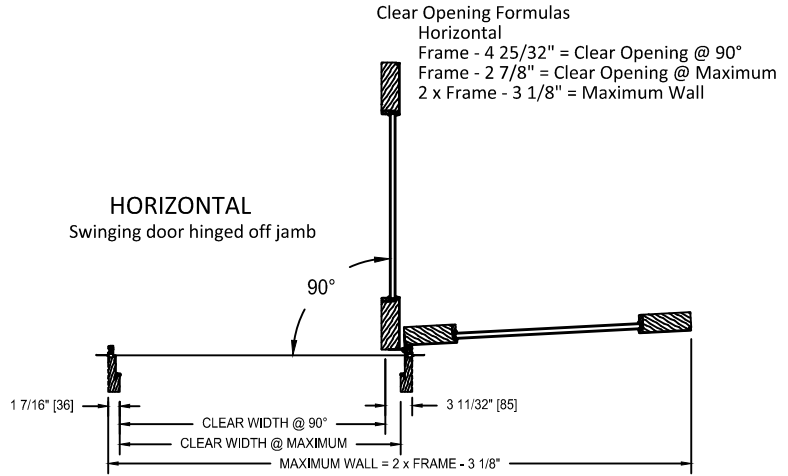
Unit Number	Frame Width	Frame Height	Square Feet of Clear Opening (One Panel)	Square Feet of Clear Opening (Two Panel)	Clear Opening Width Inches (One Panel)	Clear Opening Width Inches (Two Panel)	Clear Opening Height Inches	Square Feet of Daylight Opening Per Panel
<b>Swinging Door Basic Units</b>								
<b>Single Panel Units</b>								
COSWTC3068	38.00	82.06	18.48	N/A	33.22	N/A	80.13	9.80
COSWTC3668	44.00	82.06	21.82	N/A	39.22	N/A	80.13	12.39
COSWTC3868	46.00	82.06	22.94	N/A	41.22	N/A	80.13	13.26
COSWTC3070	38.00	96.06	19.41	N/A	33.22	N/A	84.13	10.42
COSWTC3670	44.00	96.06	22.91	N/A	39.22	N/A	84.13	13.19
COSWTC3870	46.00	96.06	24.08	N/A	41.22	N/A	84.13	14.11
COSWTC3080	38.00	98.06	22.17	N/A	33.22	N/A	96.13	12.31
COSWTC3680	44.00	98.06	26.18	N/A	39.22	N/A	96.13	15.57
COSWTC3880	46.00	98.06	27.51	N/A	41.22	N/A	96.13	16.66
COSWTC3090	38.00	110.06	24.94	N/A	33.22	N/A	108.13	14.19
COSWTC3690	44.00	110.06	29.45	N/A	39.22	N/A	108.13	17.96
COSWTC3890	46.00	110.06	30.95	N/A	41.22	N/A	108.13	19.21
<b>Two Panel Active</b>								
COFRTC6068	74.31	82.06	18.98	37.63	34.13	67.63	80.13	9.80
COFRTC7068	86.31	82.06	22.33	44.31	40.13	79.63	80.13	12.39
COFRTC6070	74.31	86.06	19.94	39.51	34.13	67.63	84.13	10.42
COFRTC7070	86.31	86.06	23.44	46.52	40.13	79.63	84.13	13.19
COFRTC6080	74.31	98.06	22.78	45.14	34.13	67.63	96.13	12.31
COFRTC7080	86.31	98.06	26.78	53.15	40.13	79.63	96.13	15.57
COFRTC6090	74.31	110.06	25.62	50.89	34.13	67.63	108.13	14.19
COFRTC7090	86.31	110.06	30.13	59.93	40.13	79.63	108.13	17.96

**CLEAR OPENING LAYOUT**

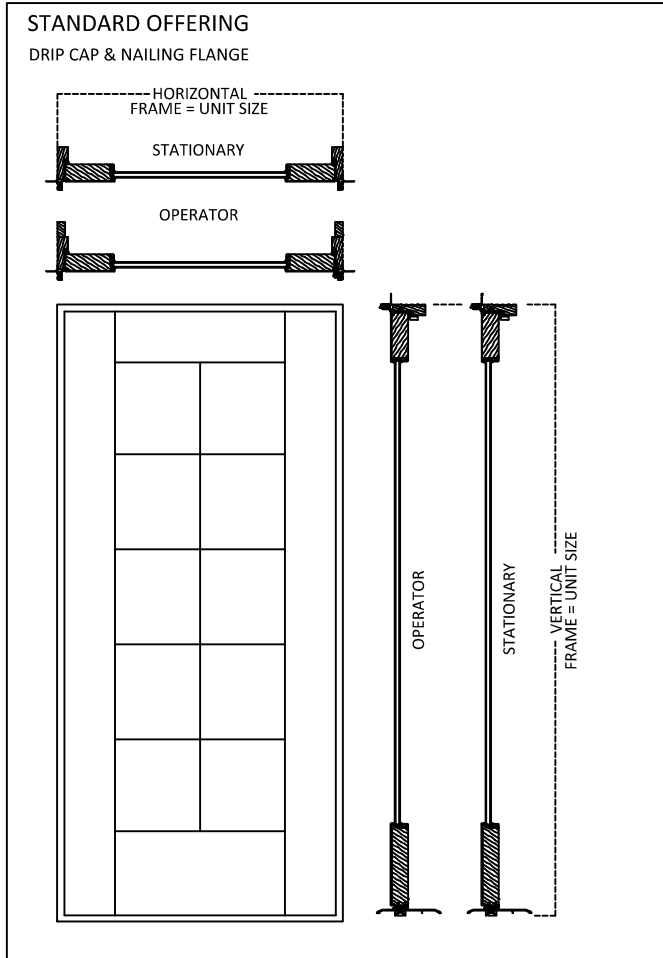


Vertical  
Handicap sill  
Frame - 1 15/16" = Clear height  
Daylight opening height at bottom rail to handicap sill is 12" with 11" bottom rail.

Panel Callout	Panel Width
3-0	35-7/8
3-6	41-7/8
3-8	43-7/8



**UNIT SIZING, ROUGH OPENINGS & MASONRY OPENINGS**



**GENERAL NOTES:**

UNITS WITH NO EXTERIOR TRIM OR DRIP CAP & NAILING FLANGE: FRAME SIZE = UNIT SIZE

UNIT SIZE IS ALWAYS THE EXTREME SIZE OF THE DOOR WITH OR WITHOUT TRIM (DRIP CAP & NAILING FLANGE ARE NOT ADDED TO ANY UNIT SIZING)

ROUGH OPENING IS ALWAYS 3/4" OVER FRAME SIZE OF THE DOOR

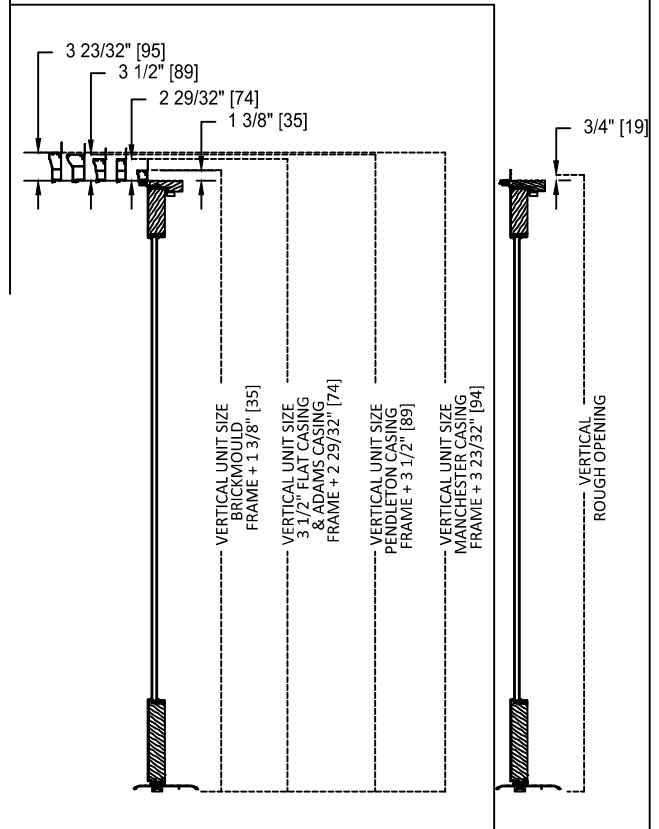
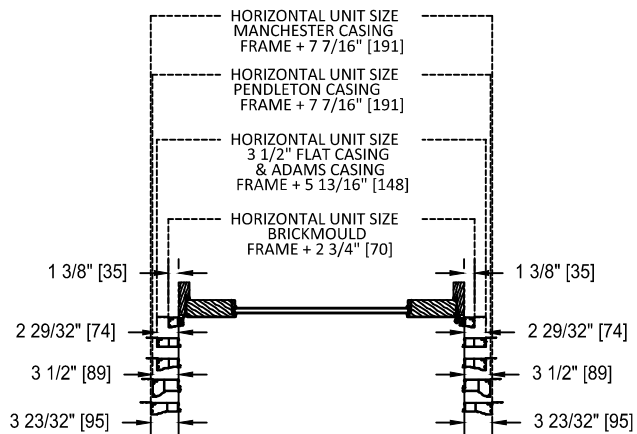
MASONRY OPENING IS ALWAYS 1/2" OVER THE UNIT SIZE OF THE DOOR

**ROUGH OPENING:**

DRIP CAP & NAILING FLANGE

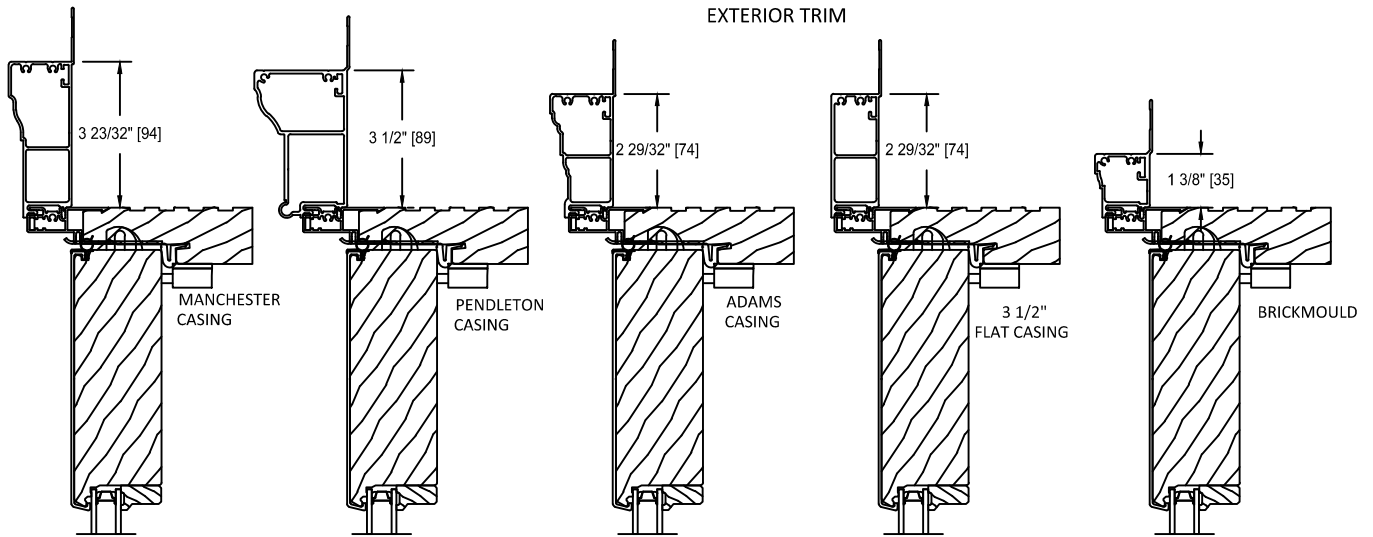


**UNIT SIZE: FRAME TO EXTERIOR TRIM (UNIT SIZE)**

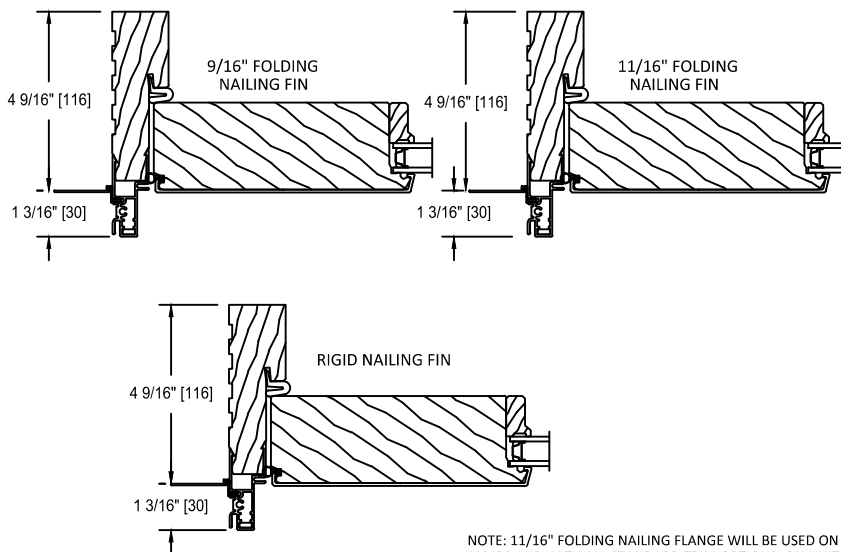




TRIM OPTIONS

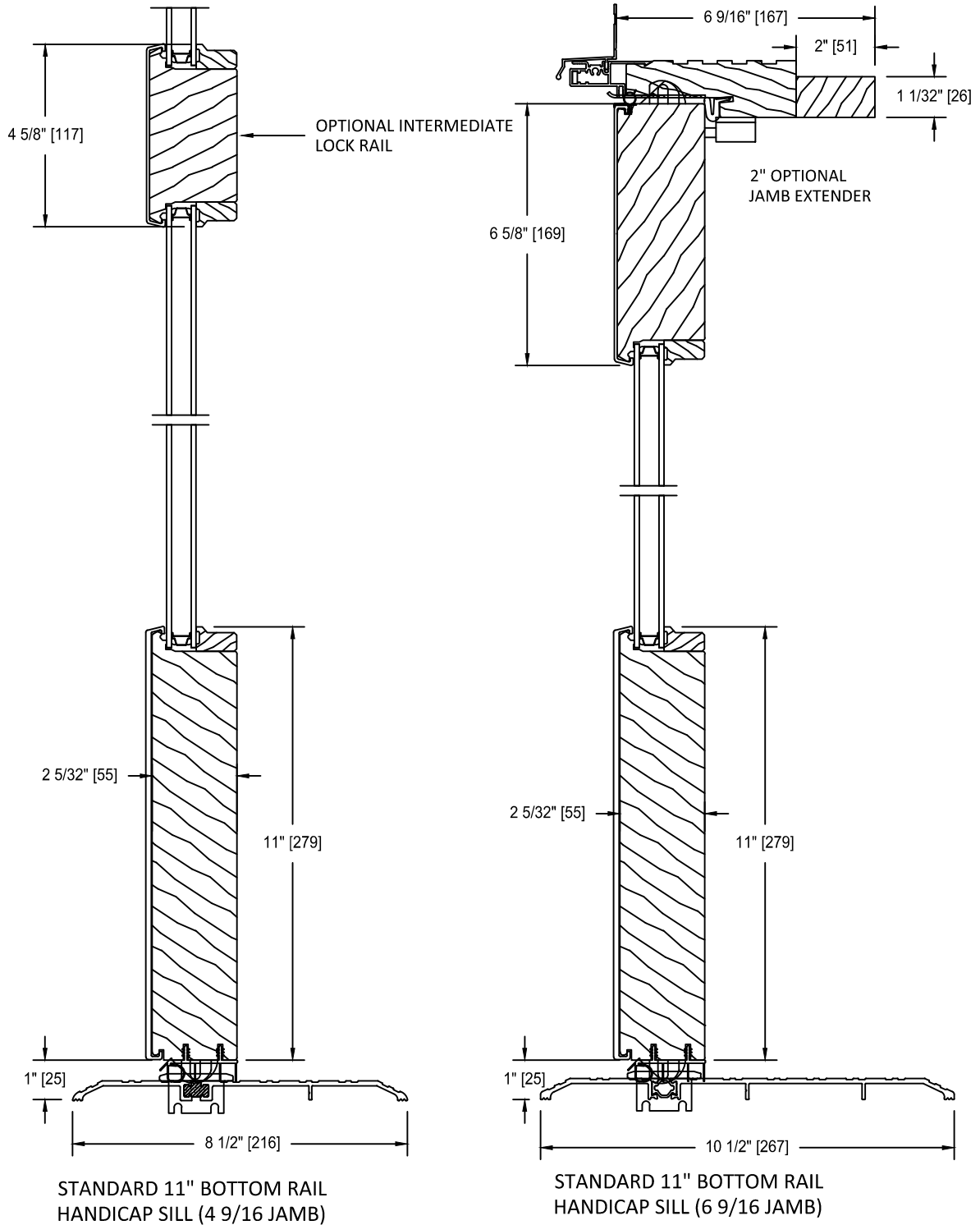


NAILING FIN OPTIONS

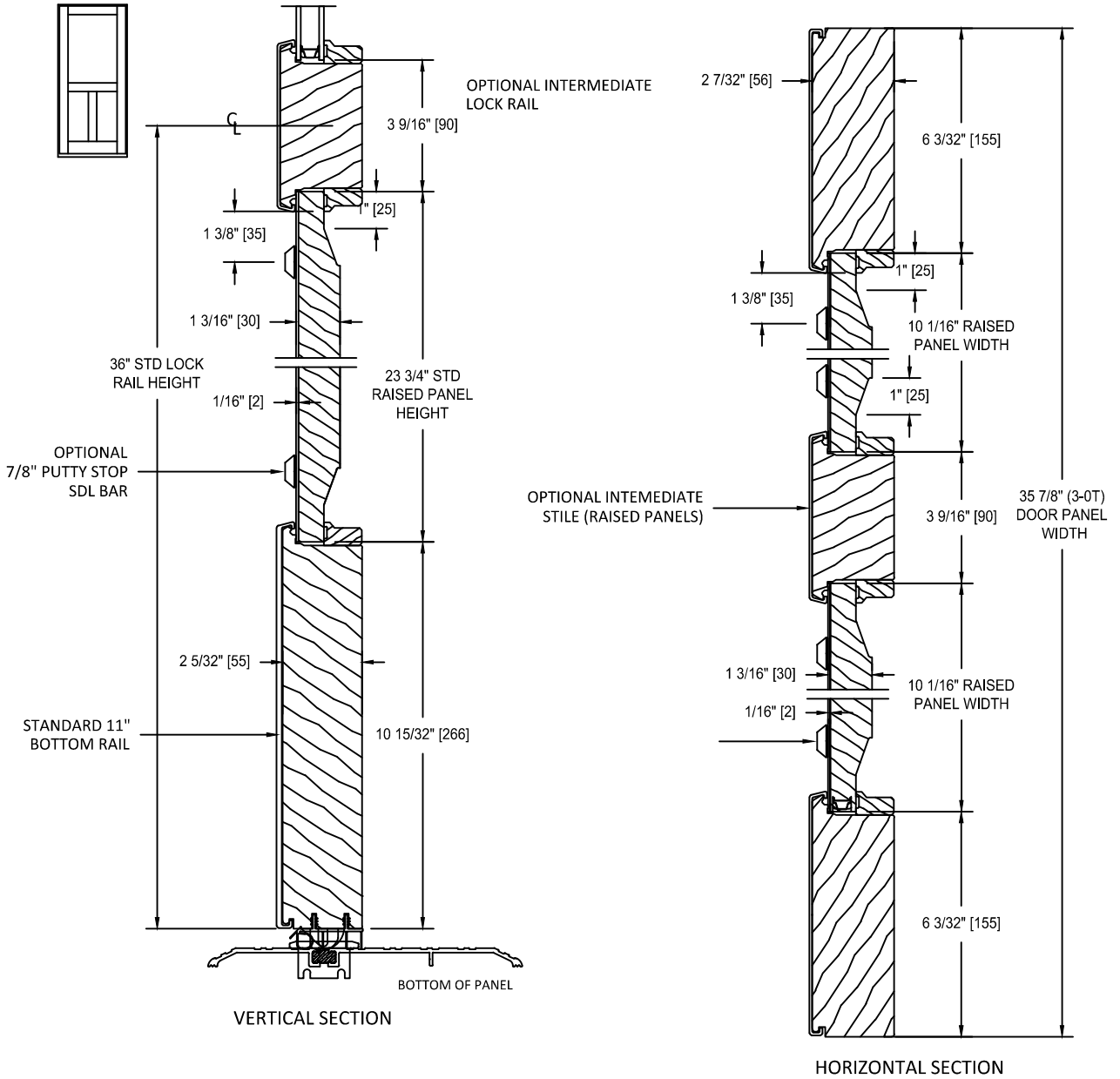


NOTE: 11/16" FOLDING NAILING FLANGE WILL BE USED ON SIDE JAMBS AND WITH ALL STANDARD TRIM OPTIONS. ON UNITS WITH 11/16" FOLDING NAILING FLANGE AND NO EXTERIOR TRIM, THE 11/16" DRIPCAP IS USED.

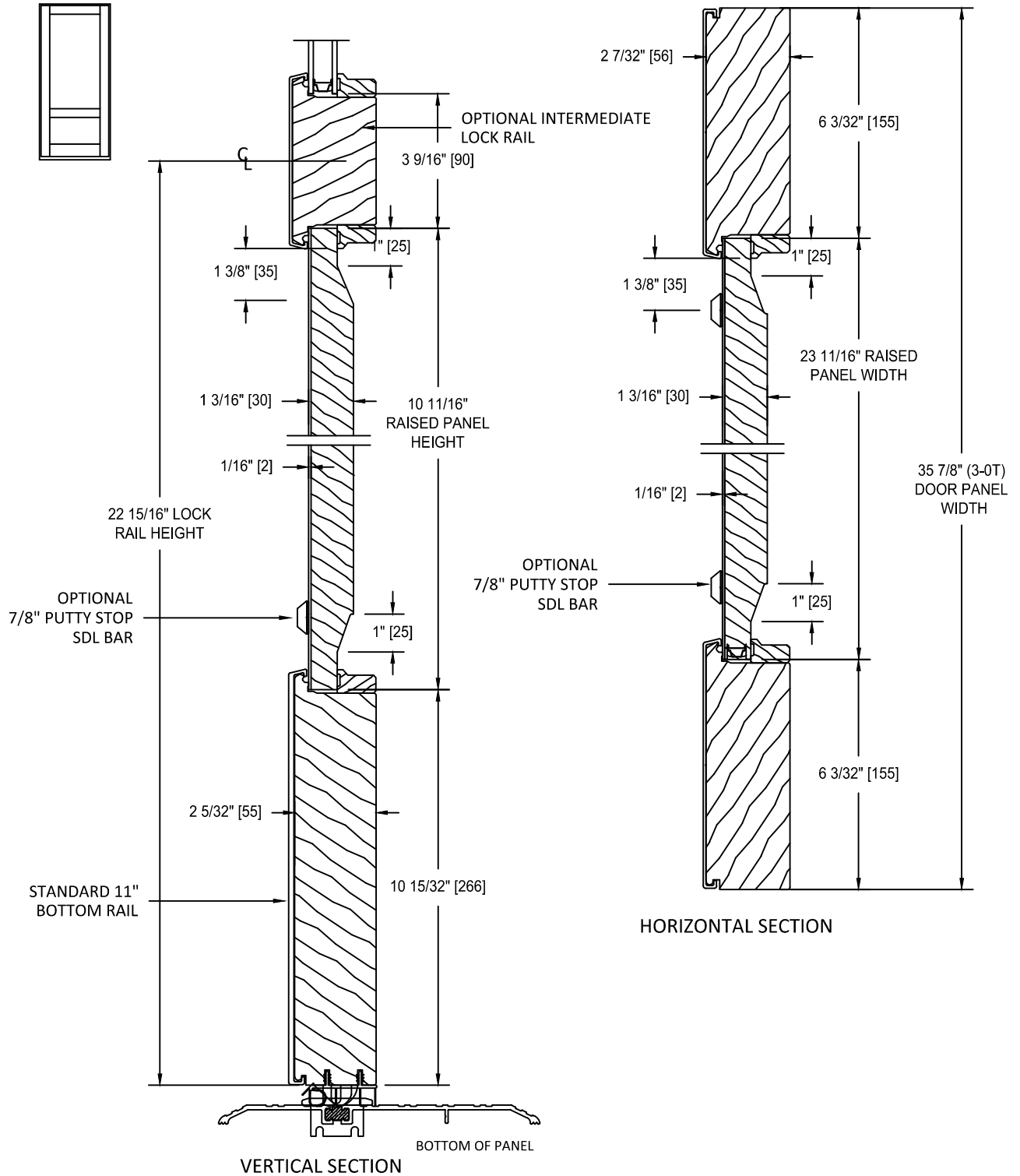
RAIL, PANEL & SILL OPTIONS



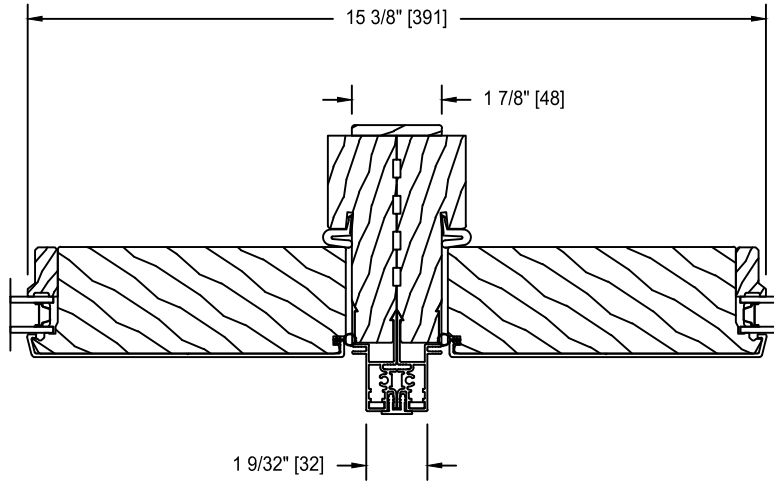
RAIL, PANEL & SILL OPTIONS  
STANDARD RAISED PANEL OPTIONS



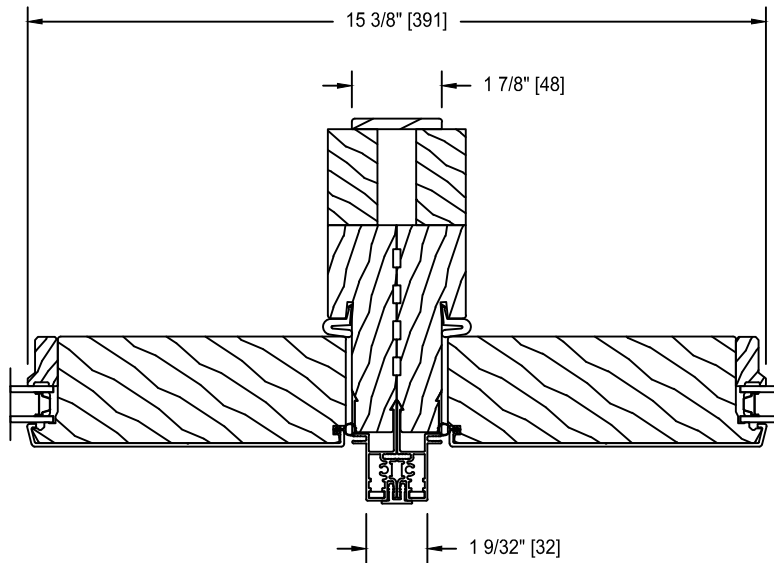
RAIL, PANEL & SILL OPTIONS  
OPTIONAL RAISED PANEL OPTIONS



STANDARD MULLION DETAILS



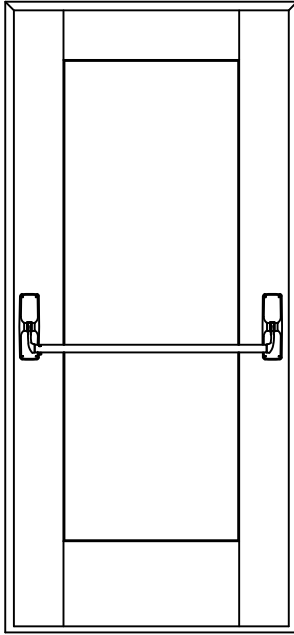
4 9/16" JAMB



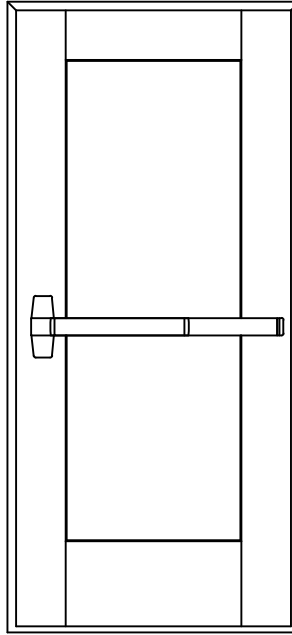
6 9/16" JAMB

COMMERCIAL HARDWARE OPTIONS

PUSH BAR



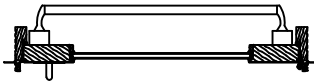
TOUCH BAR



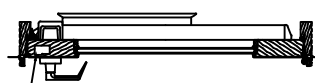
HARDWARE NOTES

1. THESE ILLUSTRATIONS REPRESENT ONLY TWO OF A BROAD RANGE OF COMMERCIAL HARDWARE OPTIONS AVAILABLE ON THIS DOOR
2. DOOR LOCKING MECHANISMS ARE AVAILABLE WITH CONCEALED OR VISIBLE ROD HARDWARE

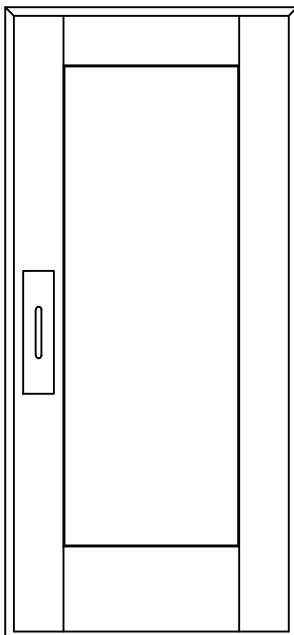
PUSH BAR



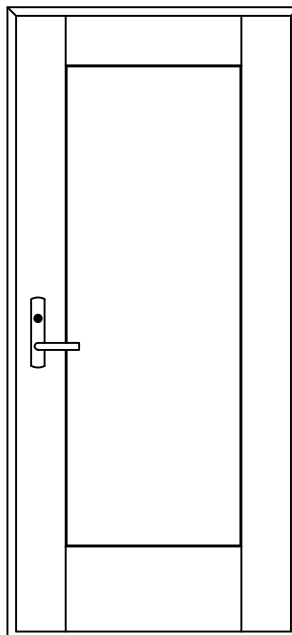
TOUCH BAR



THIS SECTION SHOWS A STILE ROUT FOR THE CONCEALED ROD HARDWARE

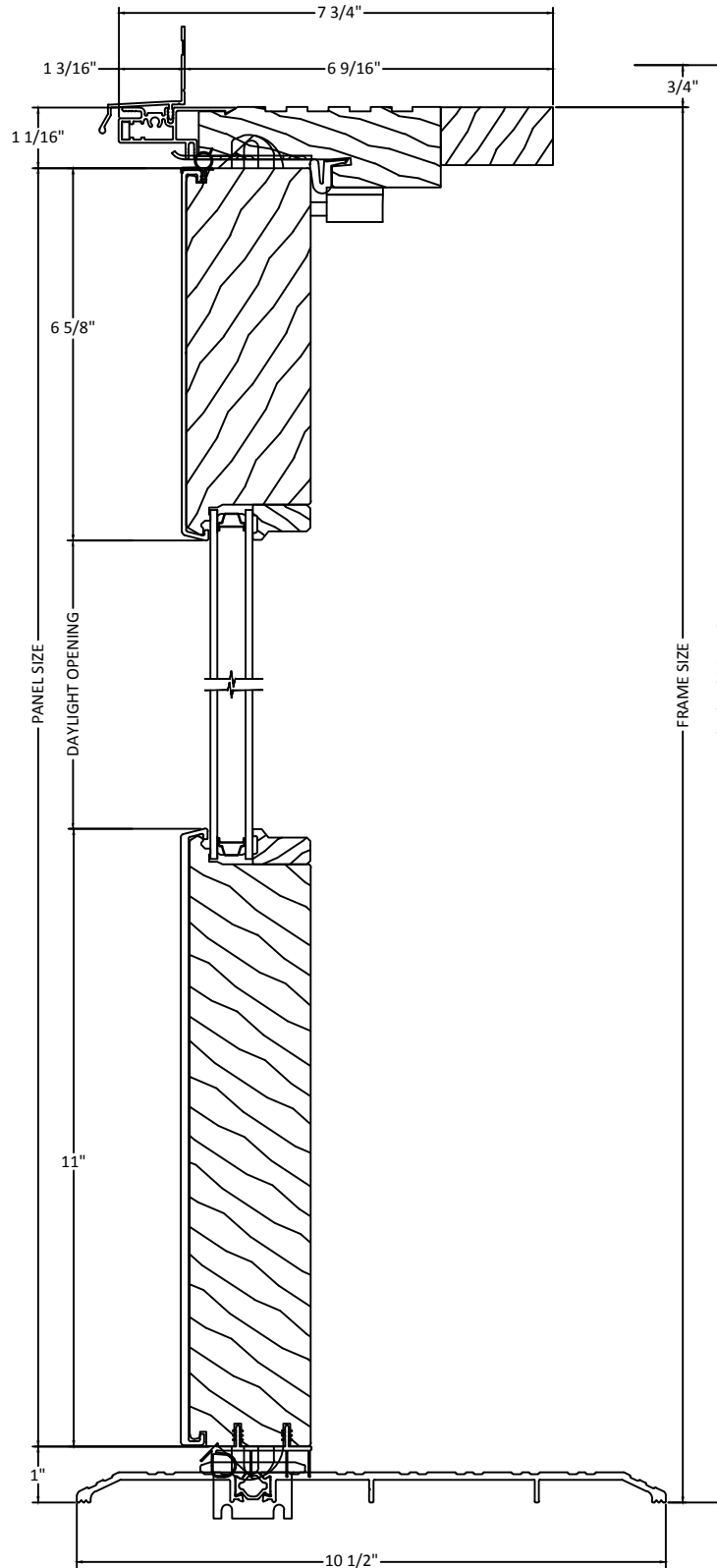


PULL PLATE

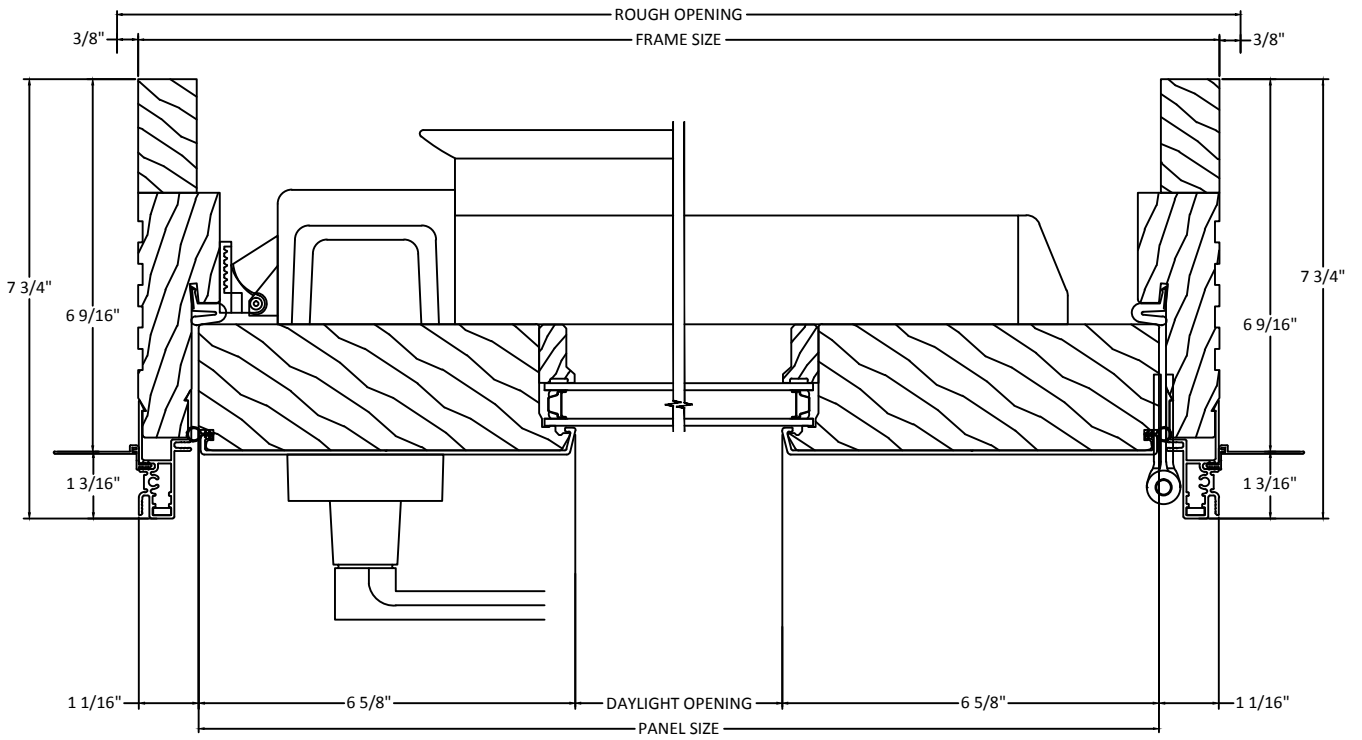


ENTRY LEVER

VERTICAL SECTION  
6-9/16" JAMB  
VON DUPRIN HARDWARE

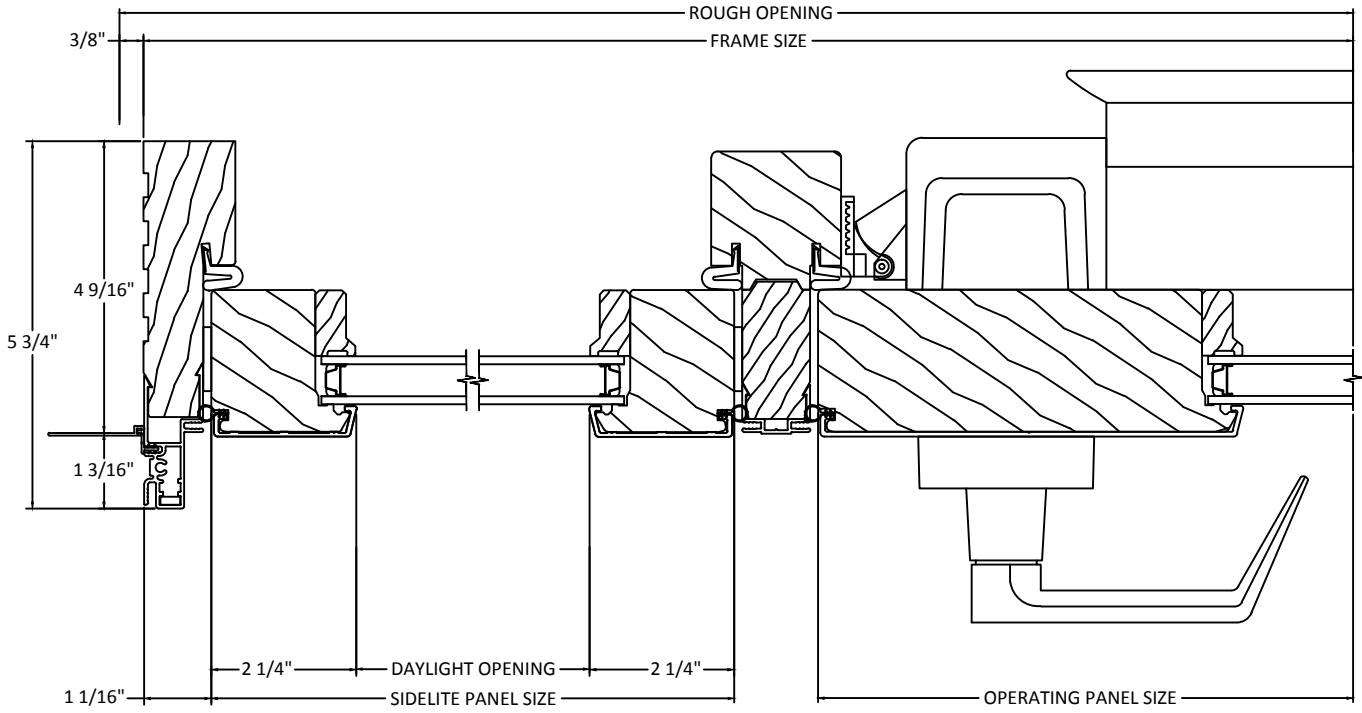


HORIZONTAL SECTION  
SINGLE DOOR (6-9/16" JAMB)  
VON DUPRIN HARDWARE

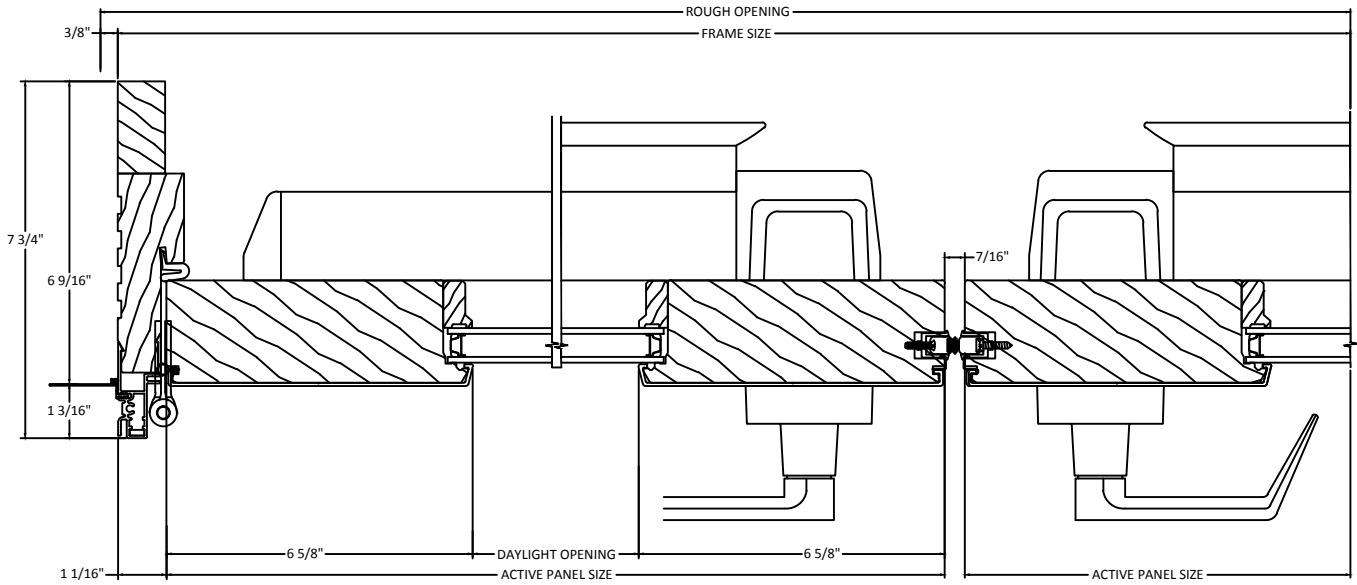




HORIZONTAL SECTION  
SINGLE PANEL w/ SIDELITE(S) (4-9/16" JAMB)  
VON DUPRIN HARDWARE

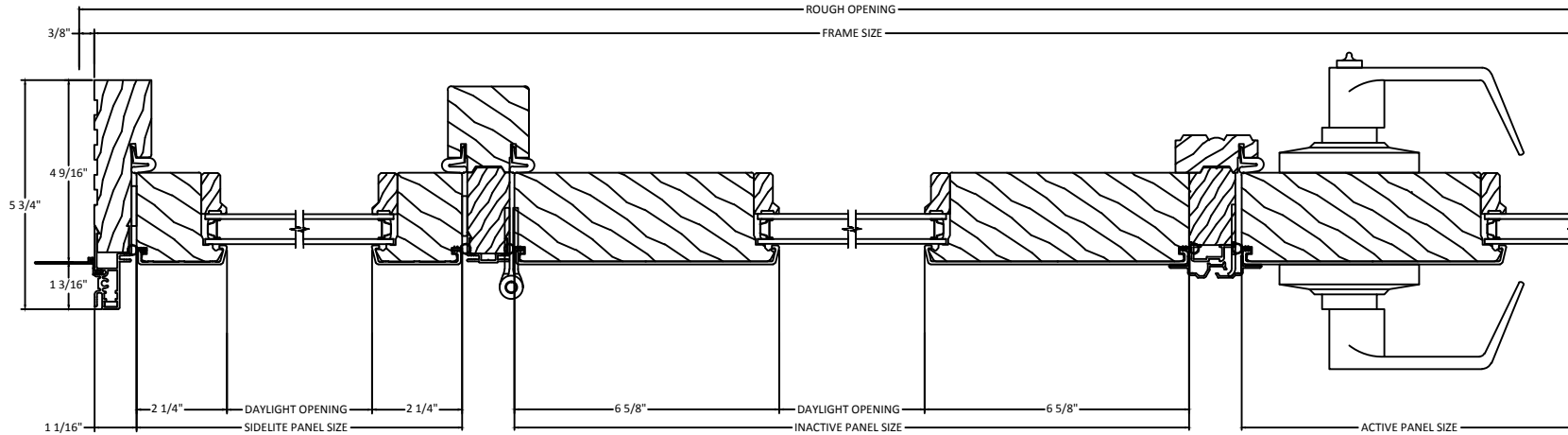


HORIZONTAL SECTION  
FRENCH w/ VON DUPRIN HARDWARE  
(6-9/16" JAMB)

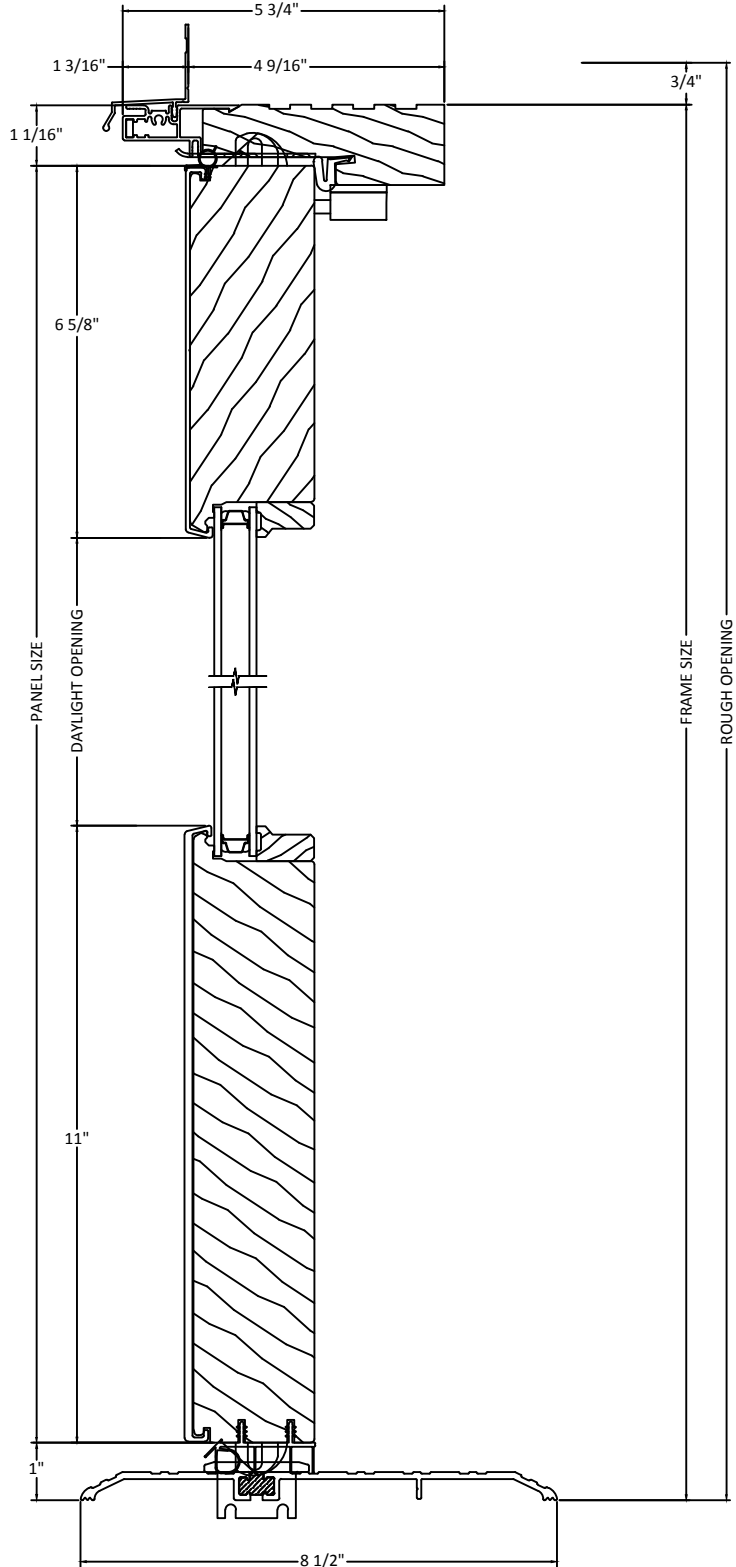


**CUSTOM CLAD PATIO DOOR**  
CUSTOM EPIC® OUT-SWING PATIO DOOR (2-1/4")

HORIZONTAL SECTION  
FRENCH w/ SIDELITE(S) ASTRAGAL  
LOCK & DEAD BOLT (4-9/16" JAMB)

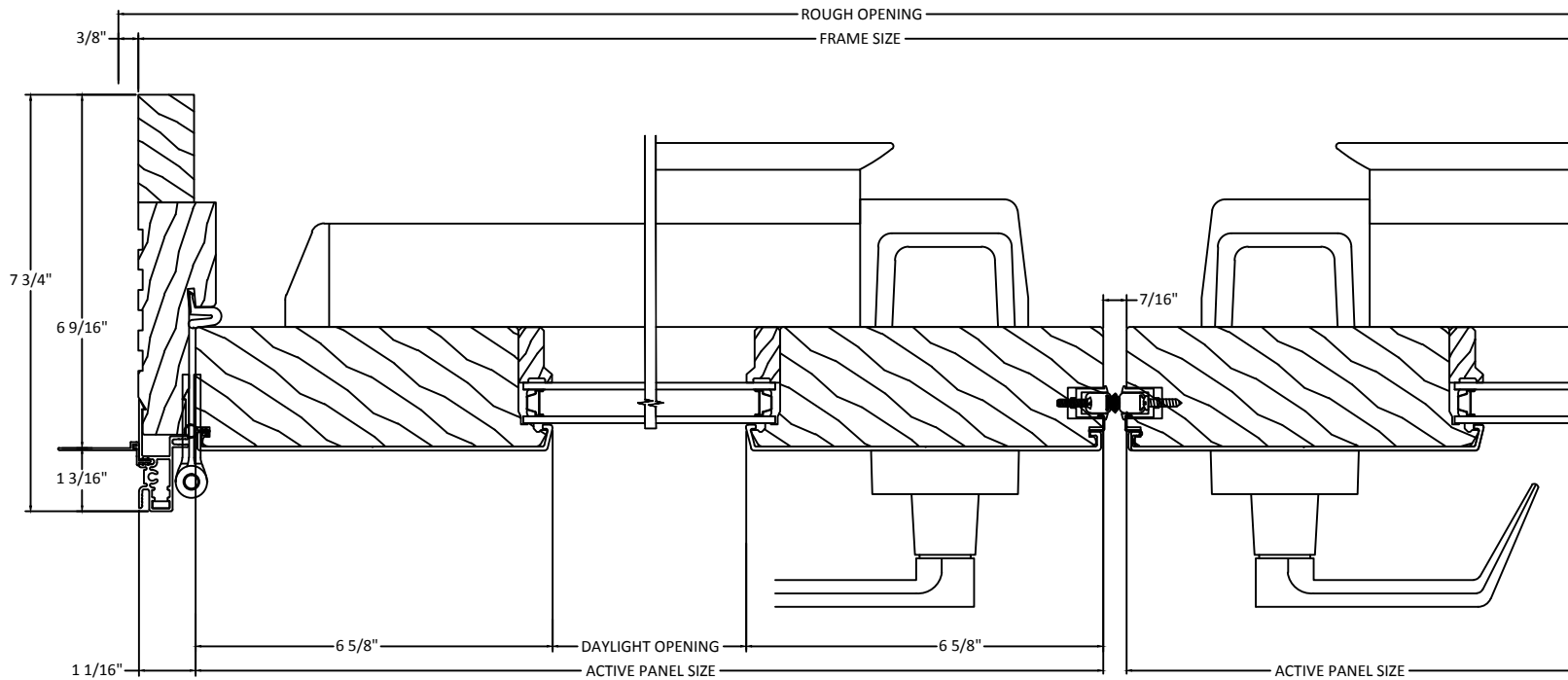


VERTICAL SECTION  
FRENCH w/ VON DUPRIN HARDWARE  
(4-9/16" JAMB)

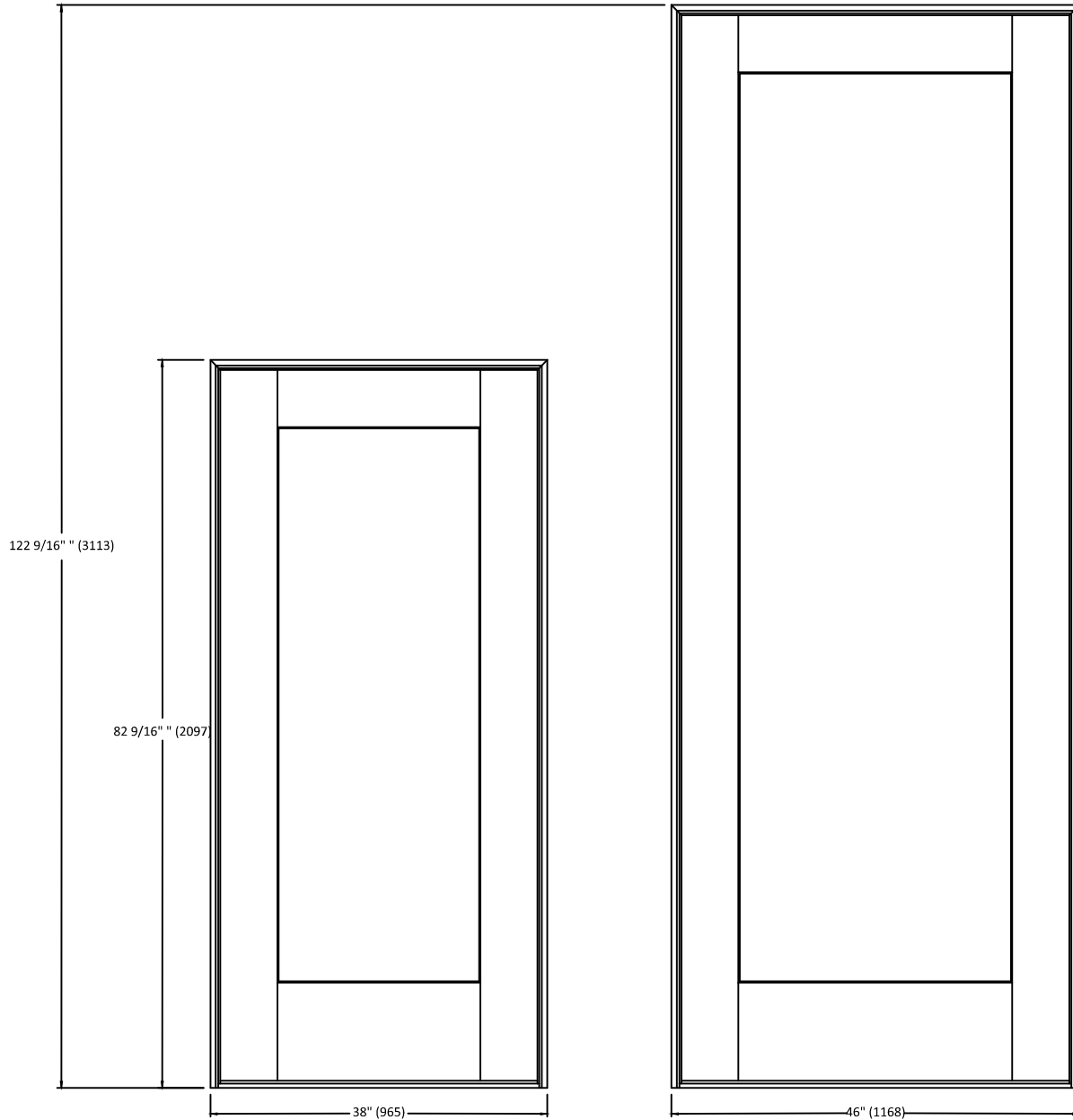


**CUSTOM CLAD PATIO DOOR**  
CUSTOM EPIC® OUT-SWING PATIO DOOR (2-1/4")

HORIZONTAL SECTION  
FRENCH SECTION (6-9/16")  
PENKO ASTRAGAL & VON DUPON HARDWARE



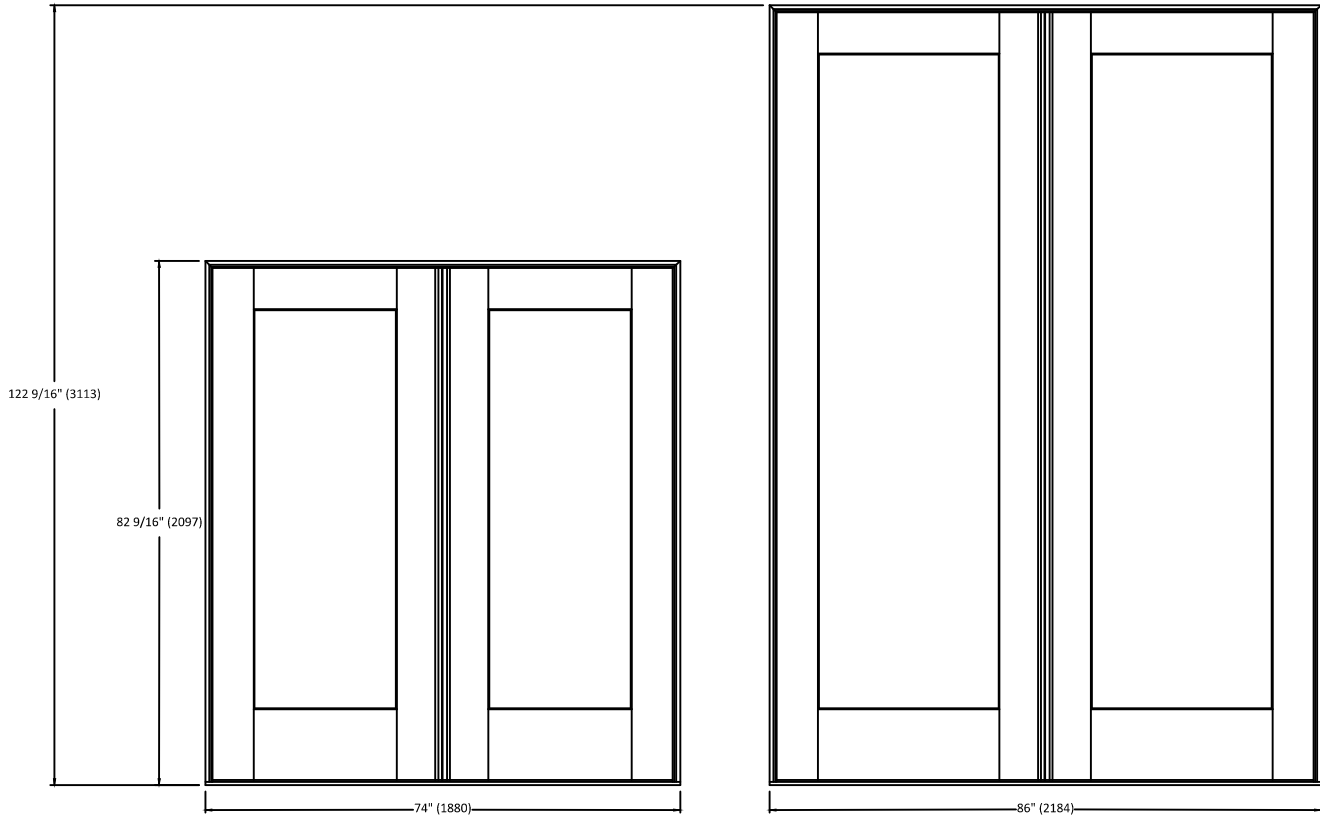
MIN & MAX SIZING 1 PANEL UNIT



Standard widths for the Custom Clad Epic out-swing door 1 Panel Unit:  
38"(965mm), 44"(1118mm), 46"(1168mm).

Standard heights for the Custom clad Epic out-swing door 1 Panel Unit:  
82 9/16"(2097mm), 86 9/16" (2199mm), 98 9/16" (2503mm), 110 9/16" (2808mm),  
122 9/16" (3113mm).

MIN & MAX SIZING 2 PANEL UNIT



Standard widths for the Custom Clad Epic out-swing door 2 Panel Unit:  
74"(1880mm), 86"(2184mm)

Standard heights for the Custom clad Epic out-swing door 2 Panel Unit:  
82 9/16"(2097mm), 86 9/16" (2199mm), 98 9/16" (2503mm), 110 9/16" (2808mm),  
122 9/16" (3113mm).