

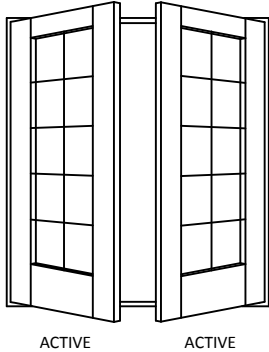
---

TABLE OF CONTENTS

---

General Information. . . . .	25-2
Elevation Notes. . . . .	25-3
Lite Cut Information. . . . .	25-4
Standard Lite Cut Tables. . . . .	25-5
Clear Opening Design Table. . . . .	25-6
Clear Opening Layouts. . . . .	25-7
Unit Sizing, Rough Openings & Masonry Openings . . . . .	25-8
Trim Options . . . . .	25-9
Rail, Panel & Sill Options . . . . .	25-10
Mullion Details . . . . .	25-13
Section Details: . . . . .	25-14
Min & Max Sizing. . . . .	25-26

TABLE OF CONTENTS



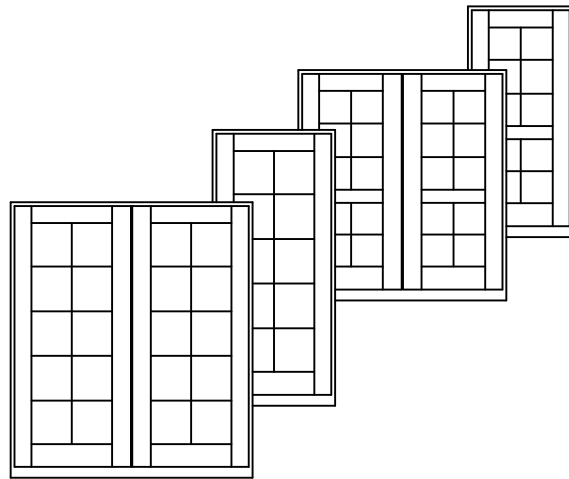
**DIMENSIONAL DOORS**

Custom Clad Epic 2-1/4" In-Swing doors may be specified as "dimensional", by adjusting the desired rough opening width or height in 1/16" increments from standard.

Custom Clad Epic 2-1/4" In-Swing doors are available in single & twin styles. The standard size range includes sizes specifically designed for replacement of older door models in existing structures, as well as a full range of "true size" products for architectural consistency.

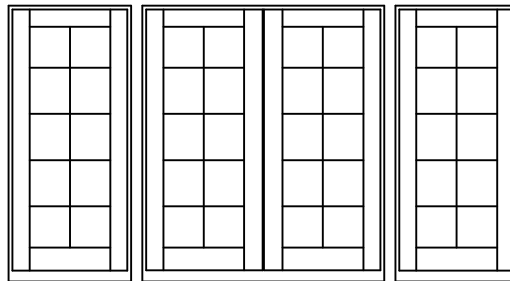
**OPERATION**

Custom Clad Epic 2-1/4" In-Swing doors are available in single & twin operating styles. Single panel doors may be specified as stationary (non-venting) or can operate left or right. Two-panel doors feature two operating panels, both of which are active. Configuration and handing is based on viewing the door from the interior.



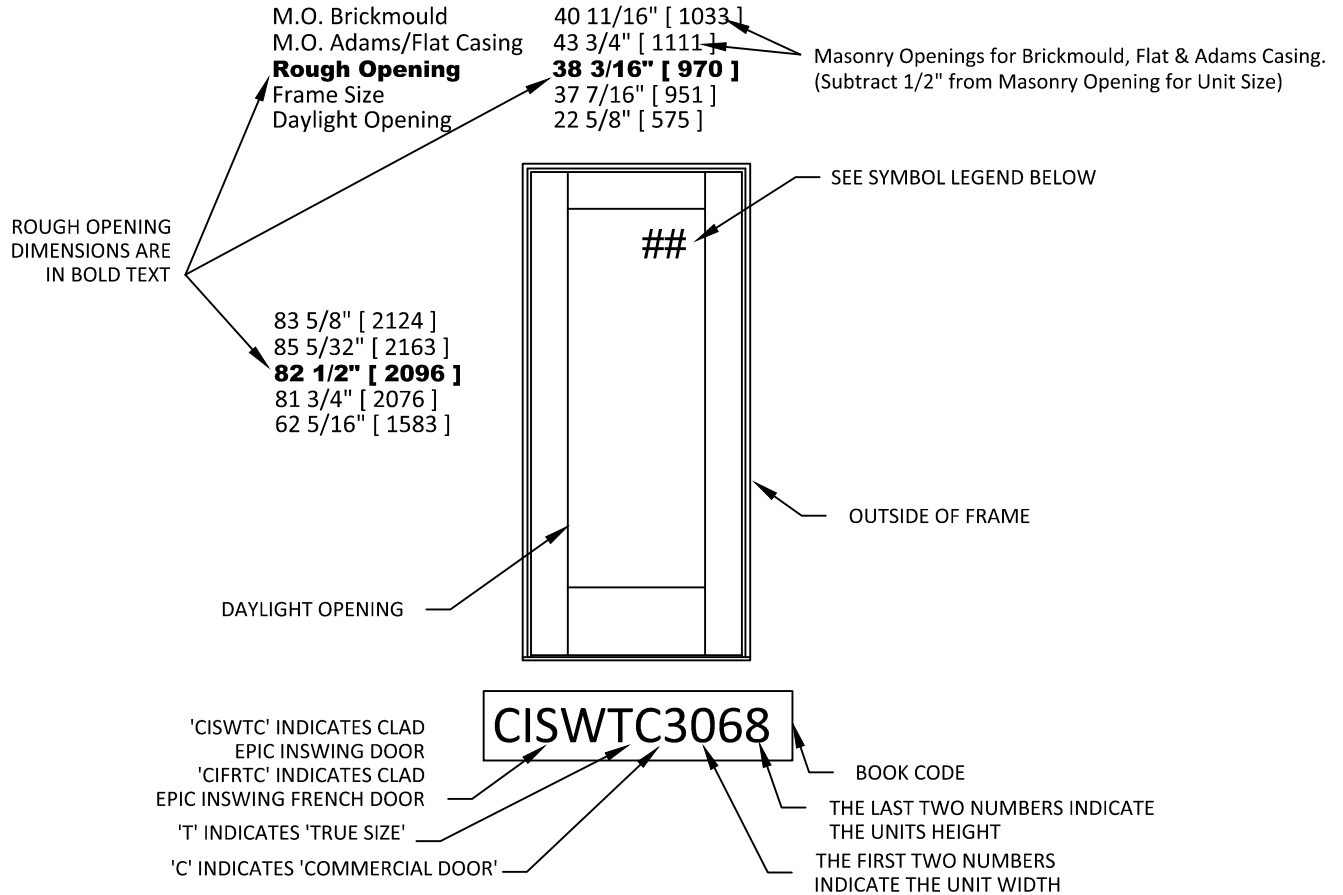
**MULTIPLE ASSEMBLIES**

Custom Clad Epic 2-1/4" In-Swing doors may be mulled below, or beside other clad door and clad window products. Factory assembled mulls are limited in height (100"), width (150").



ELEVATION NOTES

ELEVATION DRAWINGS UTILIZE A LIMITED NUMBER OF PROJECTED LINES TO PRODUCE A RUDIMENTARY DRAWING INTENDED TO BE USED IN A SMALL GRAPHICAL SCALE. ELEVATIONS ARE VIEWED PERPENDICULAR FROM THE EXTERIOR OF THE STRUCTURE. IF MORE DIMENSIONS ARE NEEDED, USE THE SECTION DRAWINGS FOR MORE COMPLETE DEPICTIONS.



GENERAL SWINGING DOOR NOTES

1. CLAD EPIC INSWING DOOR (CISWTC) UNITS ARE AVAILABLE AS OPERATING OR FIXED UNITS.
2. UNIT ELEVATIONS ARE SHOWN WITHOUT EXTERIOR TRIM. UNIT SIZES & MASONRY OPENING DIMENSIONS WILL CHANGE WITH THE ADDITION OF EXTERIOR TRIM. SEE THE 'UNIT SIZING, ROUGH OPENINGS & MASONRY OPENINGS' PAGE FOR EXTERIOR TRIM EFFECTS.
4. OPERATING UNITS ARE AVAILABLE AS LEFT OR RIGHT HAND OPERATION.
5. HANDICAP SILL AND 10 1/4" BOTTOM RAILS ARE STANDARD ON ALL UNITS.
6. INTERMEDIATE LOCK RAILS & RAISED PANELS ARE AVAILABLE FOR ALL UNITS.

ELEVATION SYMBOL LEGEND

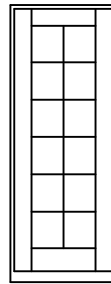
- (F) PANEL IS AVAILABLE AS FIXED ONLY.
- NUMBER INDICATES DESIGN PRESSURE (DP) RATING WITH STANDARD GLAZING. OPERATING UNITS ARE WITHOUT LOCKING HARDWARE.
- ##

LITE CUT INFORMATION

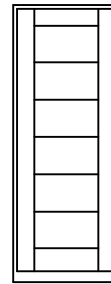
Custom Clad Epic 2-1/4" In-Swing doors are available with removable grilles in 5/8", 7/8", 1-1/8" and 1-3/8" widths, with grilles between the glass (GBG), or with Simulated Divided Lites. Standard lite cuts are rectangular, and conform to the layouts noted in the charts on the next page. To use the chart, refer to the appropriate table by the type of patio door and type of bars or grilles the section drawings illustrate. Then simply cross reference the frame height and width to determine the standard lite cut.

LITE CUT OPTIONS

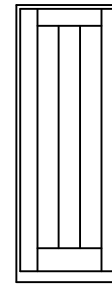
Special lite cut patterns can include a wide variety of straight line and radius patterns. The illustrations shown here represent just a few of the possibilities. Rectangular, horizontal, vertical and Prairie lite patterns are available in all standard size clad Epic swinging doors. Uneven, diamond, radius and Gothic lite cuts are available, subject to approval. Approvals are based on the ability to fulfill the design requirement while maintaining the construction integrity of the finished product.



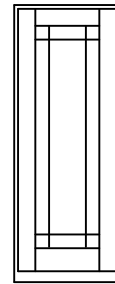
RECTANGULAR



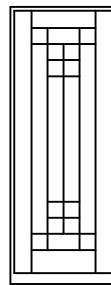
HORIZONTAL



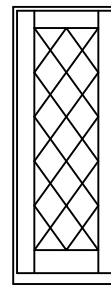
VERTICAL



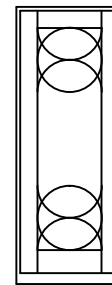
PRAIRIE



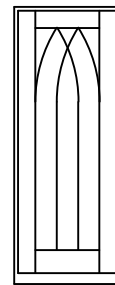
UNEVEN



DIAMOND



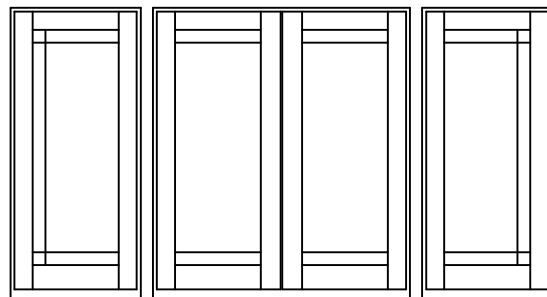
RADIUS



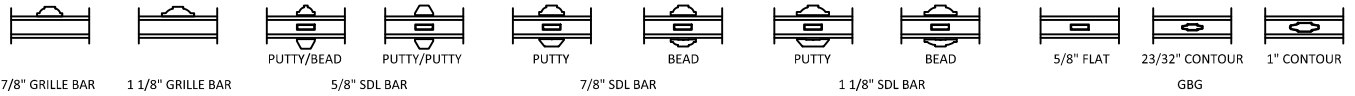
GOthic

BAR ALIGNMENT

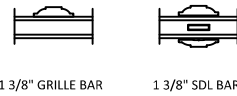
Alignment of divided lite muntin bars from one product to the next is often required by fine architectural design. Wood grilles, GBG's, and Simulated Divided Lites may be specified with muntin bars aligned.



STANDARD LITE CUT TABLES



CISWTC	Width Callout			
	3-0	3-6	3-8	
Height Callout	6-8	2W 5H	2W 5H	2W 5H
	7-0	2W 5H	2W 5H	2W 5H
	8-0	2W 6H	2W 6H	2W 6H
	9-0	2W 7H	2W 7H	2W 7H

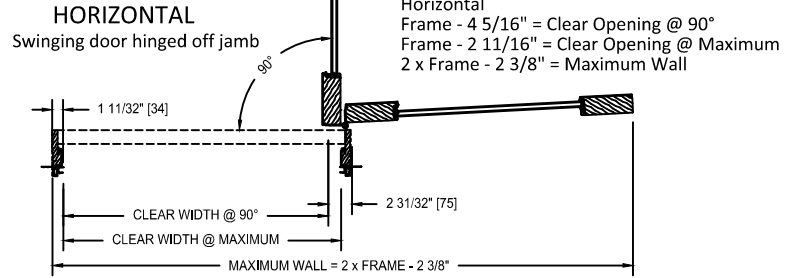
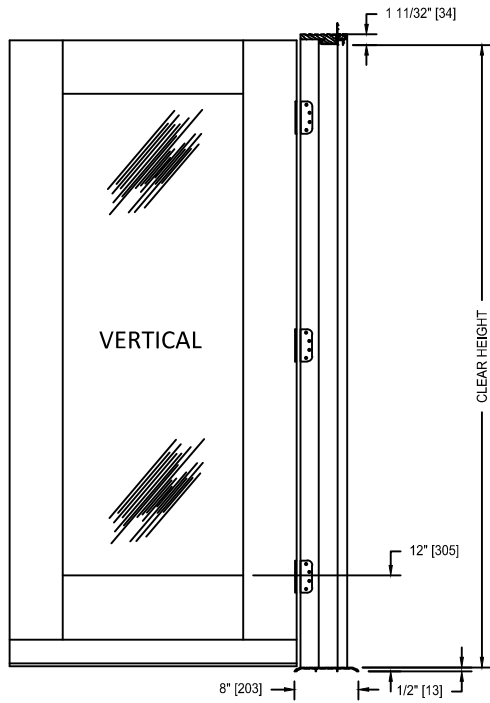


CISWTC	Width Callout			
	3-0	3-6	3-8	
Height Callout	6-8	2W 5H	2W 5H	2W 5H
	7-0	2W 5H	2W 5H	2W 5H
	8-0	2W 6H	2W 6H	2W 6H
	9-0	2W 7H	2W 7H	2W 7H

**CLEAR OPENING/DESIGN DATA TABLE**

Unit Number	Frame Width	Frame Height	Square Feet of Clear Opening (One Panel)	Square Feet of Clear Opening (Two Panel)	Clear Opening Width Inches (One Panel)	Clear Opening Width Inches (Two Panel)	Clear Opening Height Inches	Square Feet of Daylight Opening Per Panel
<b>Swinging Door Basic Units</b>								
<b>Single Panel Units</b>								
CISWTC3068	37.44	81.75	18.38	N/A	33.13	N/A	79.91	9.80
CISWTC3668	43.44	81.75	21.71	N/A	39.13	N/A	79.91	12.39
CISWTC3868	45.44	81.75	22.82	N/A	41.13	N/A	79.91	13.26
CISWTC3070	37.44	85.75	19.30	N/A	33.13	N/A	83.91	10.42
CISWTC3670	43.44	85.75	22.80	N/A	39.13	N/A	83.91	13.19
CISWTC3870	45.44	85.75	23.96	N/A	41.13	N/A	83.91	14.11
CISWTC3080	37.44	97.75	22.06	N/A	33.13	N/A	95.91	12.31
CISWTC3680	43.44	97.75	26.06	N/A	39.13	N/A	95.91	15.57
CISWTC3880	45.44	97.75	27.39	N/A	41.13	N/A	95.91	16.66
CISWTC3090	37.44	109.75	24.82	N/A	33.13	N/A	107.91	14.19
CISWTC3690	43.44	109.75	29.32	N/A	39.13	N/A	107.91	17.96
CISWTC3890	45.44	109.75	30.82	N/A	41.13	N/A	107.91	19.21
<b>Two Panel Active</b>								
CIFRTC6068	73.75	81.75	18.94	37.63	34.13	67.81	79.91	9.80
CIFRTC7068	85.75	81.75	22.27	44.29	40.13	79.81	79.91	12.39
CIFRTC6070	73.75	85.75	19.88	39.51	34.13	67.81	83.91	10.42
CIFRTC7070	85.75	85.75	23.38	46.51	40.13	79.81	83.91	13.19
CIFRTC6080	73.75	97.75	22.73	45.16	34.13	67.81	95.91	12.31
CIFRTC7080	85.75	97.75	26.72	53.16	40.13	79.81	95.91	15.57
CIFRTC6090	73.75	109.75	25.57	50.82	34.13	67.81	107.91	14.19
CIFRTC7090	85.75	109.75	30.07	59.81	40.13	79.81	107.91	17.96

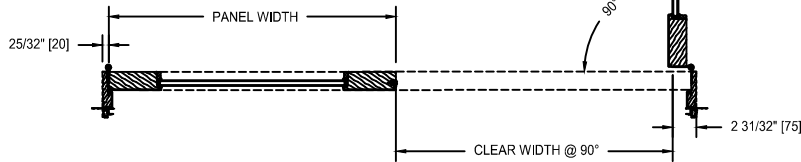
**CLEAR OPENING LAYOUT**



Vertical  
Handicap sill  
Frame - 1 27/32" = Clear height  
Daylight opening height at bottom rail to handicap sill is 12" with 10-1/4" bottom rail.

**HORIZONTAL**  
Swinging door hinged off jamb  
Single panel active

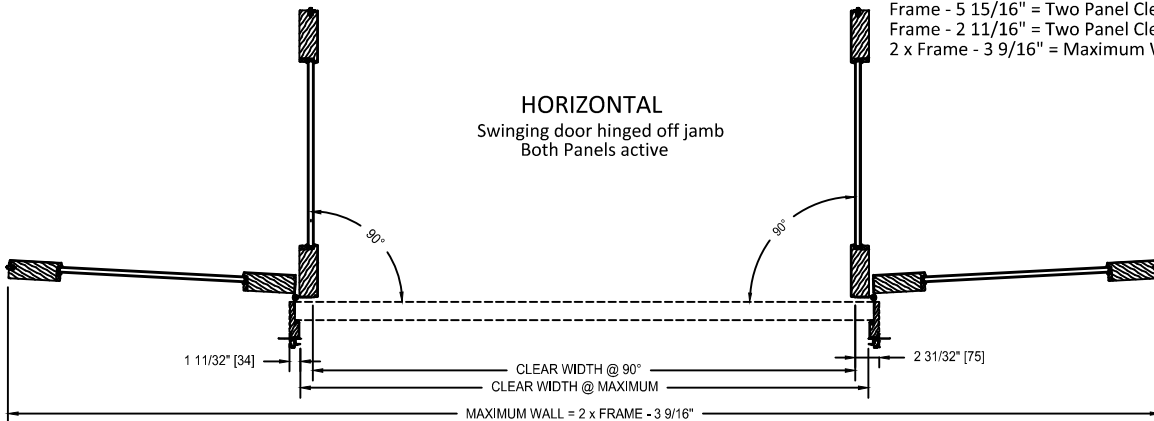
Clear Opening Formulas  
Horizontal  
Frame - (Panel Width + 3 3/4")  
= Single Panel Clear Opening @ 90°



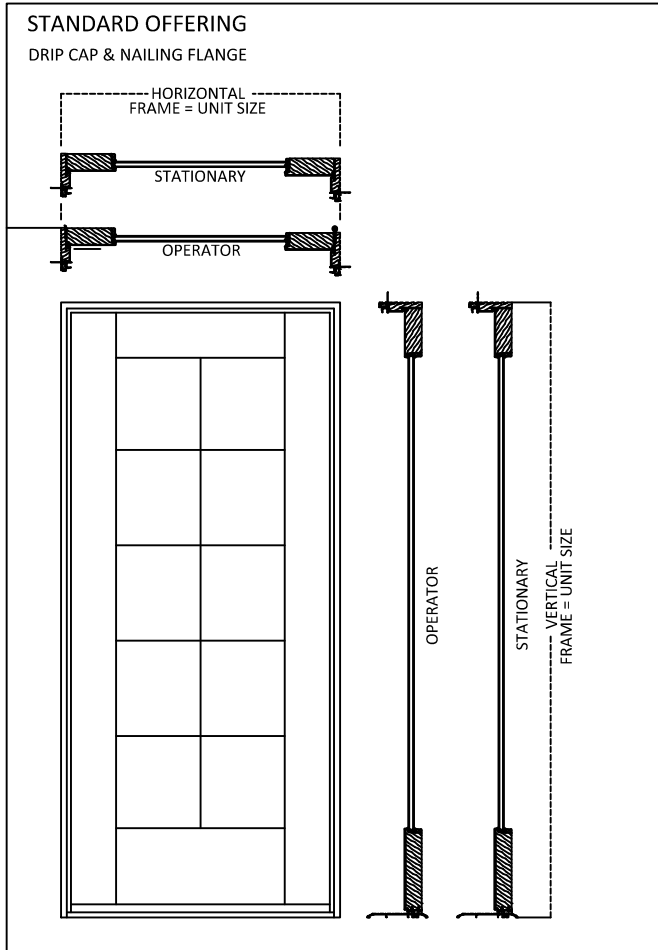
Panel Callout	Panel Width
3-0	35-7/8
3-6	41-7/8
3-8	43-7/8

Clear Opening Formulas  
Horizontal  
Frame - 5 15/16" = Two Panel Clear Opening @ 90°  
Frame - 2 11/16" = Two Panel Clear Opening @ Maximum  
2 x Frame - 3 9/16" = Maximum Wall

**HORIZONTAL**  
Swinging door hinged off jamb  
Both Panels active



**UNIT SIZING, ROUGH OPENINGS & MASONRY OPENINGS**



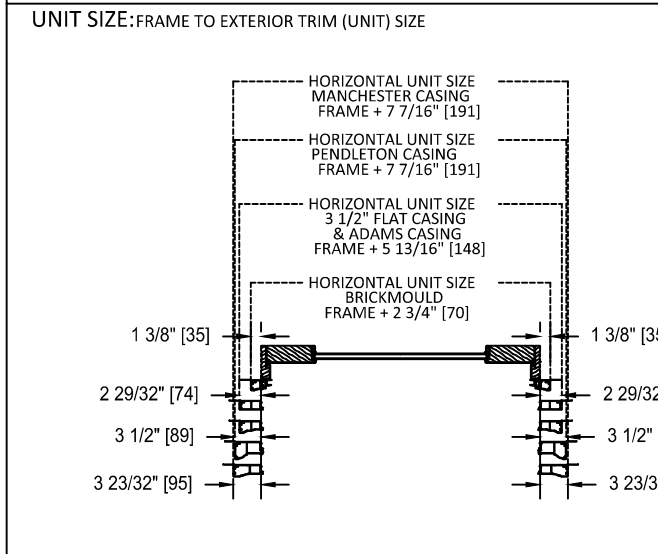
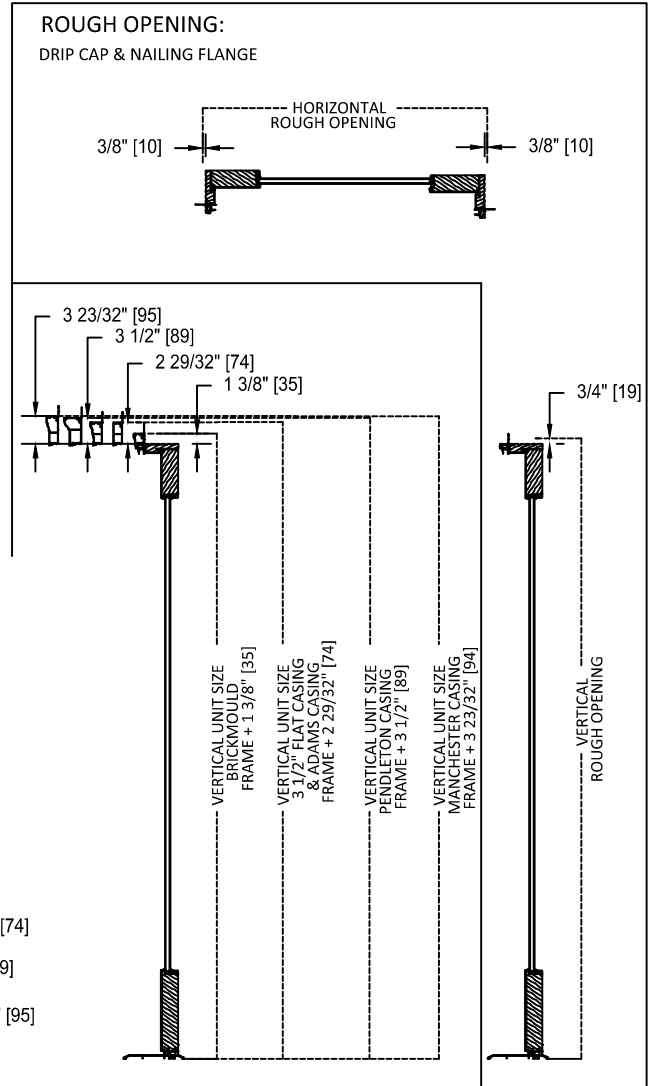
**GENERAL NOTES:**

UNITS WITH NO EXTERIOR TRIM OR DRIP CAP & NAILING FLANGE:  
FRAME SIZE = UNIT SIZE

UNIT SIZE IS ALWAYS THE EXTREME SIZE OF THE DOOR WITH OR WITHOUT TRIM (DRIP CAP & NAILING FLANGE ARE NOT ADDED TO ANY UNIT SIZING)

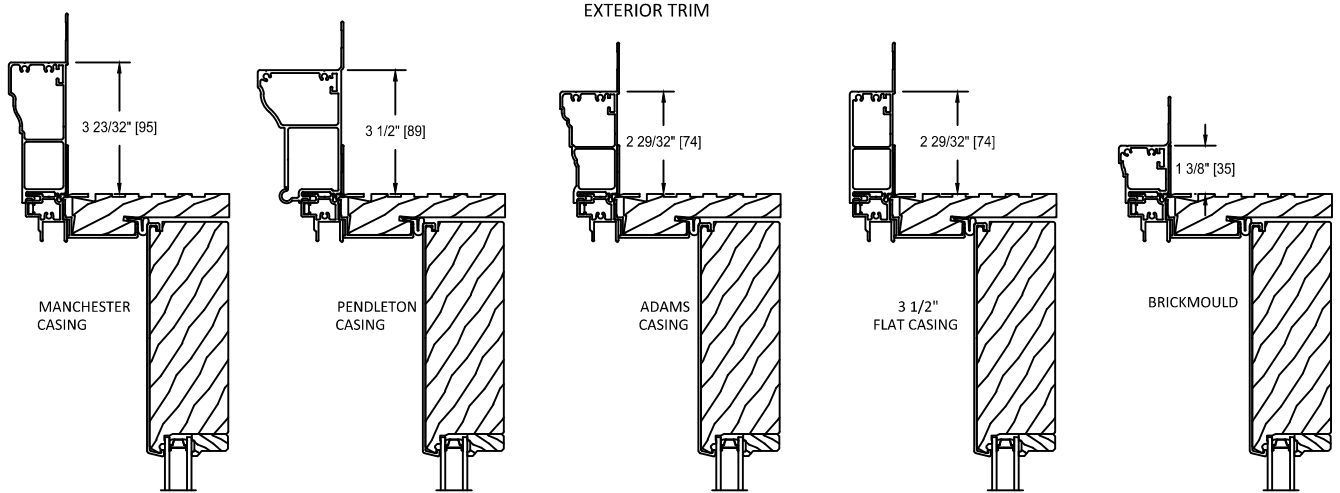
ROUGH OPENING IS ALWAYS 3/4" OVER FRAME SIZE OF THE DOOR

MASONRY OPENING IS ALWAYS 1/2" OVER THE UNIT SIZE OF THE DOOR

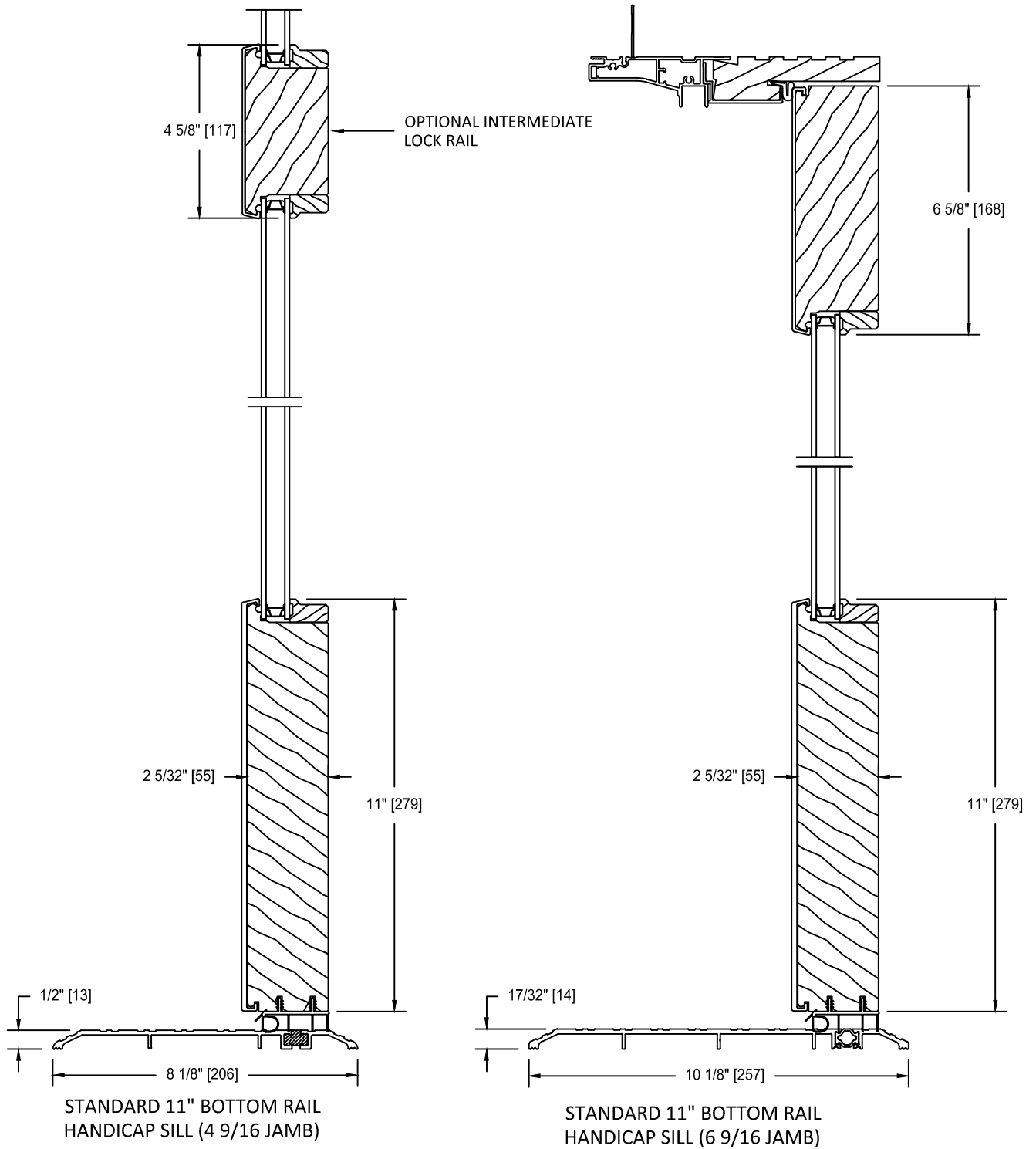




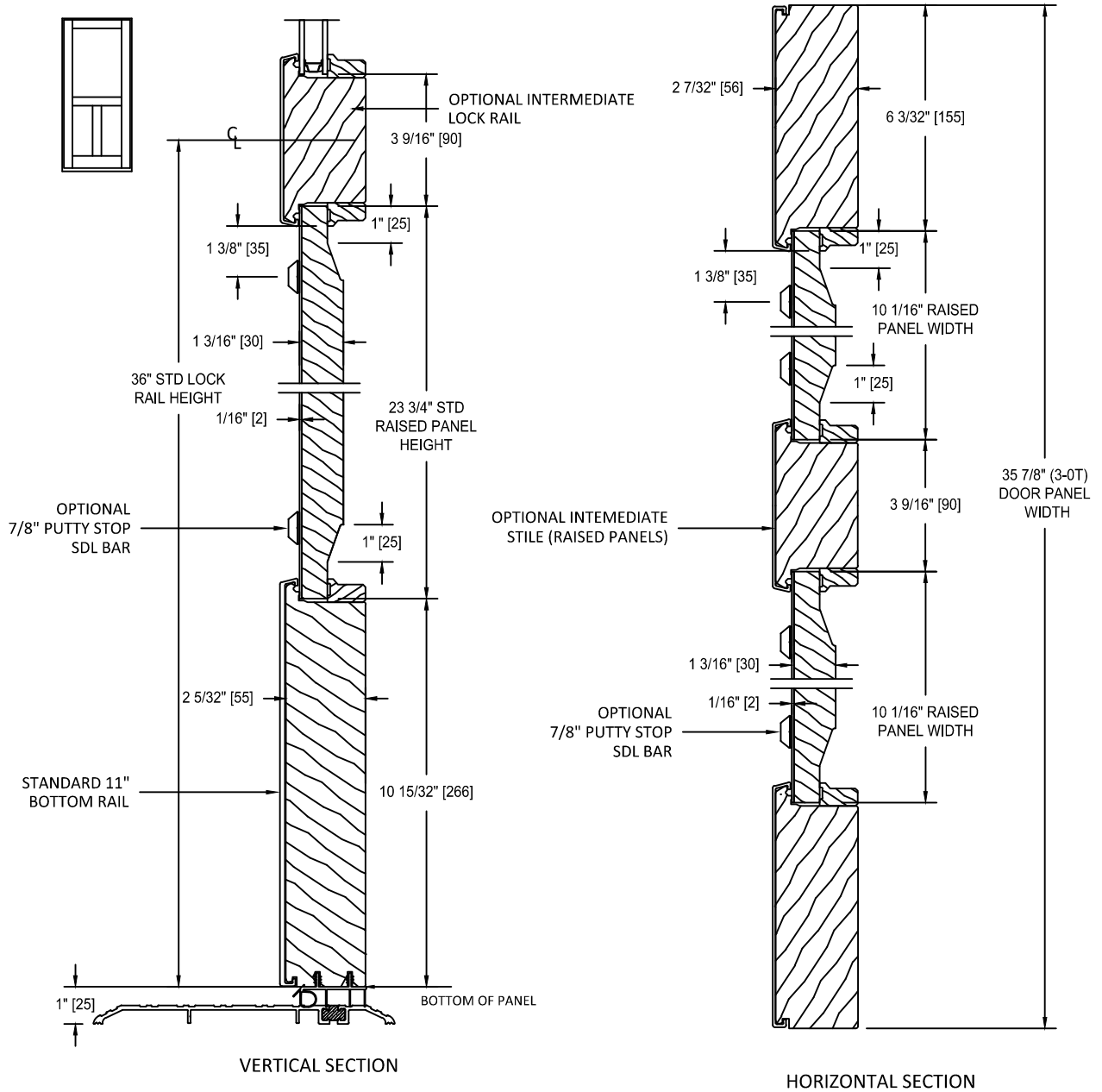
TRIM OPTIONS



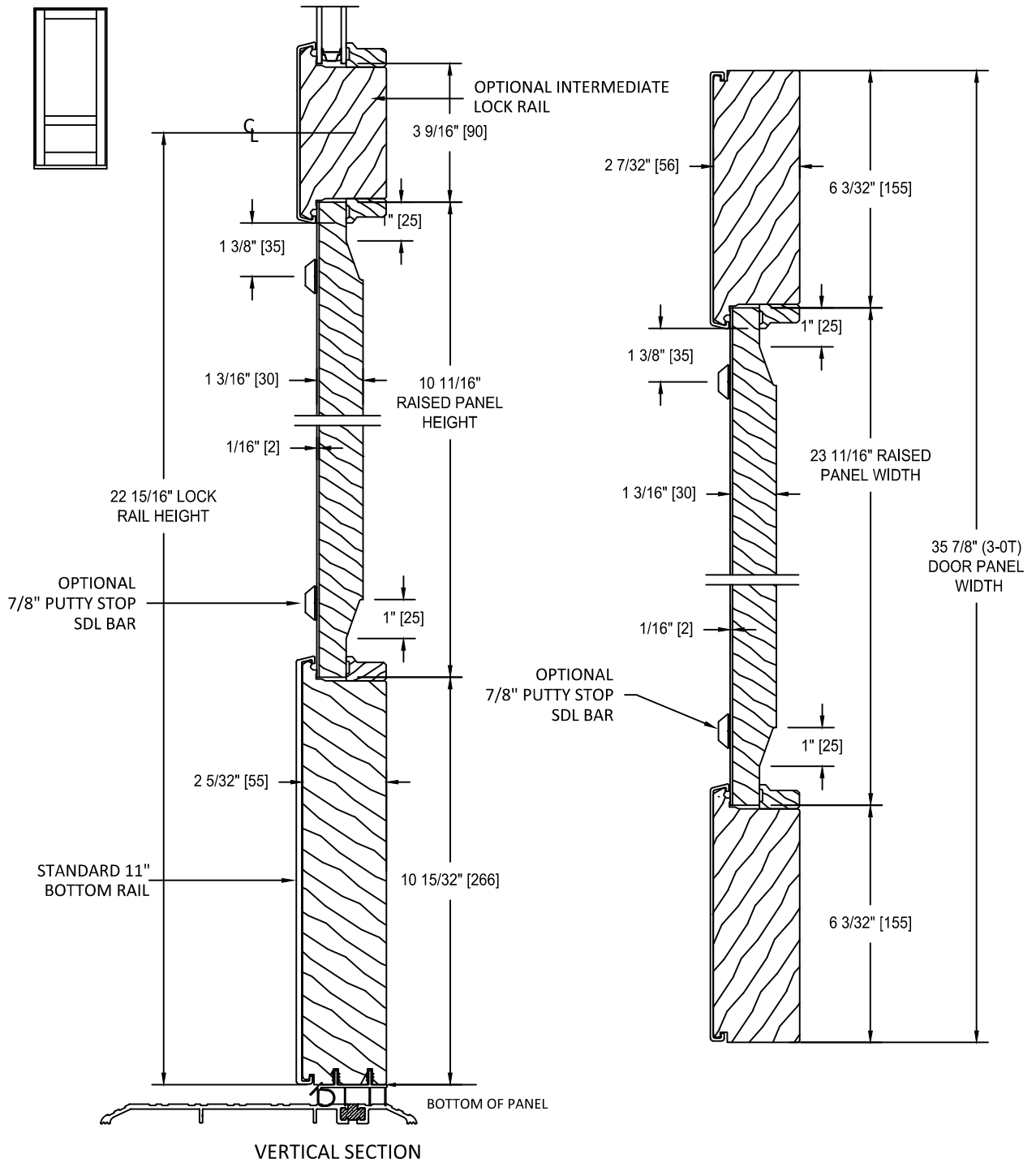
RAIL, PANEL & SILL OPTIONS



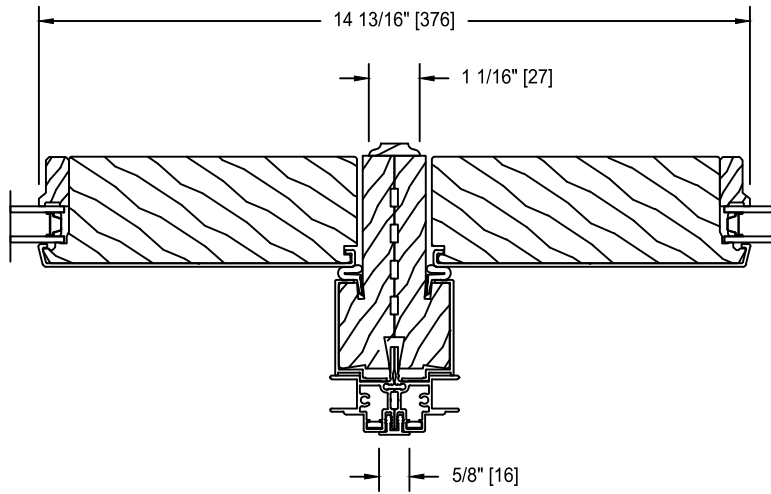
**RAIL, PANEL & SILL OPTIONS**  
**STANDARD RAISED PANEL OPTIONS**



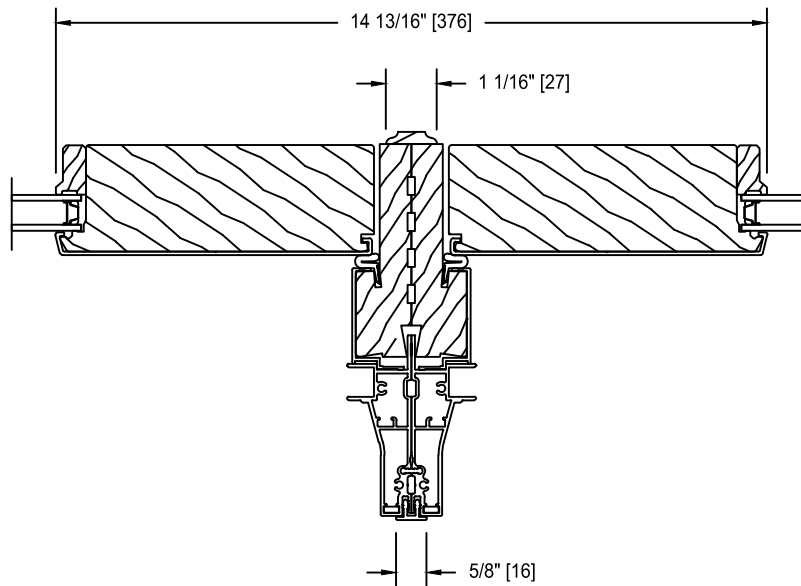
RAIL, PANEL & SILL OPTIONS  
OPTIONAL RAISED PANEL OPTIONS



STANDARD MULLION DETAILS

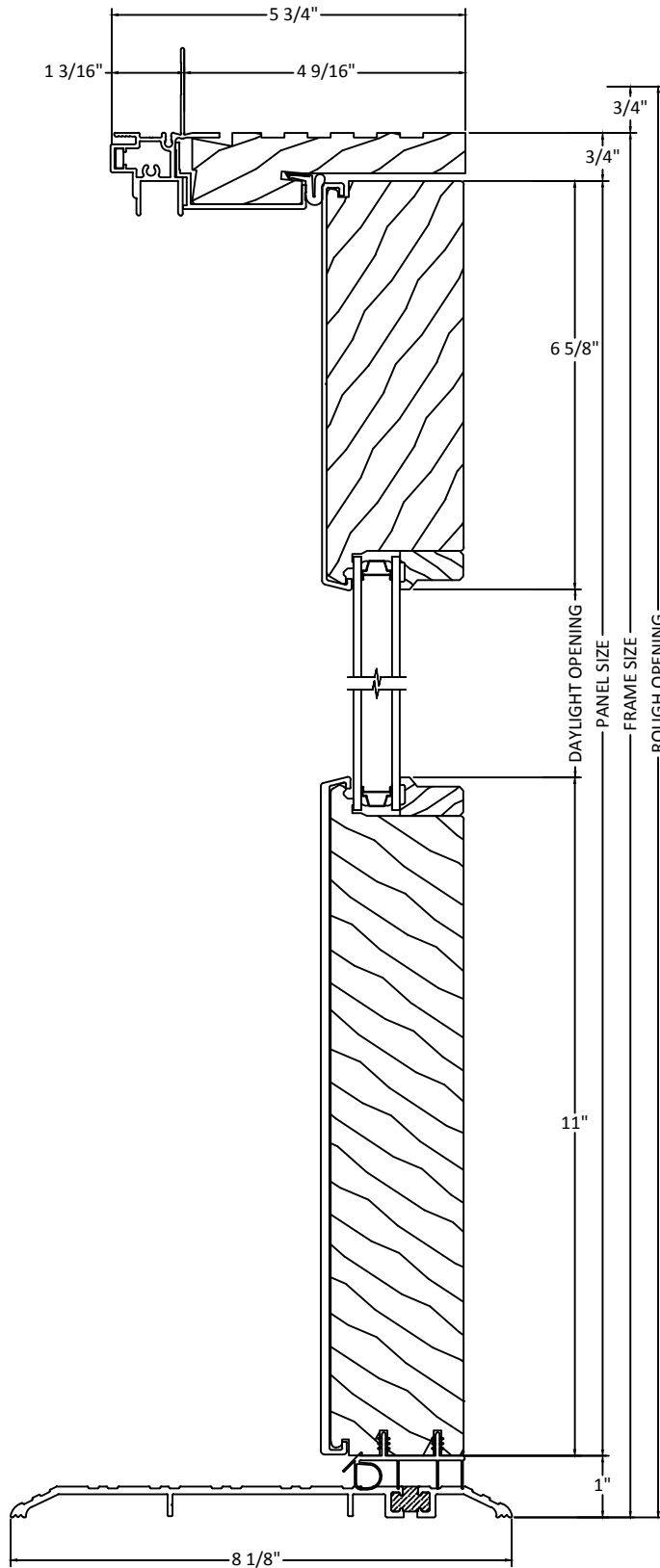


4 9/16" JAMB



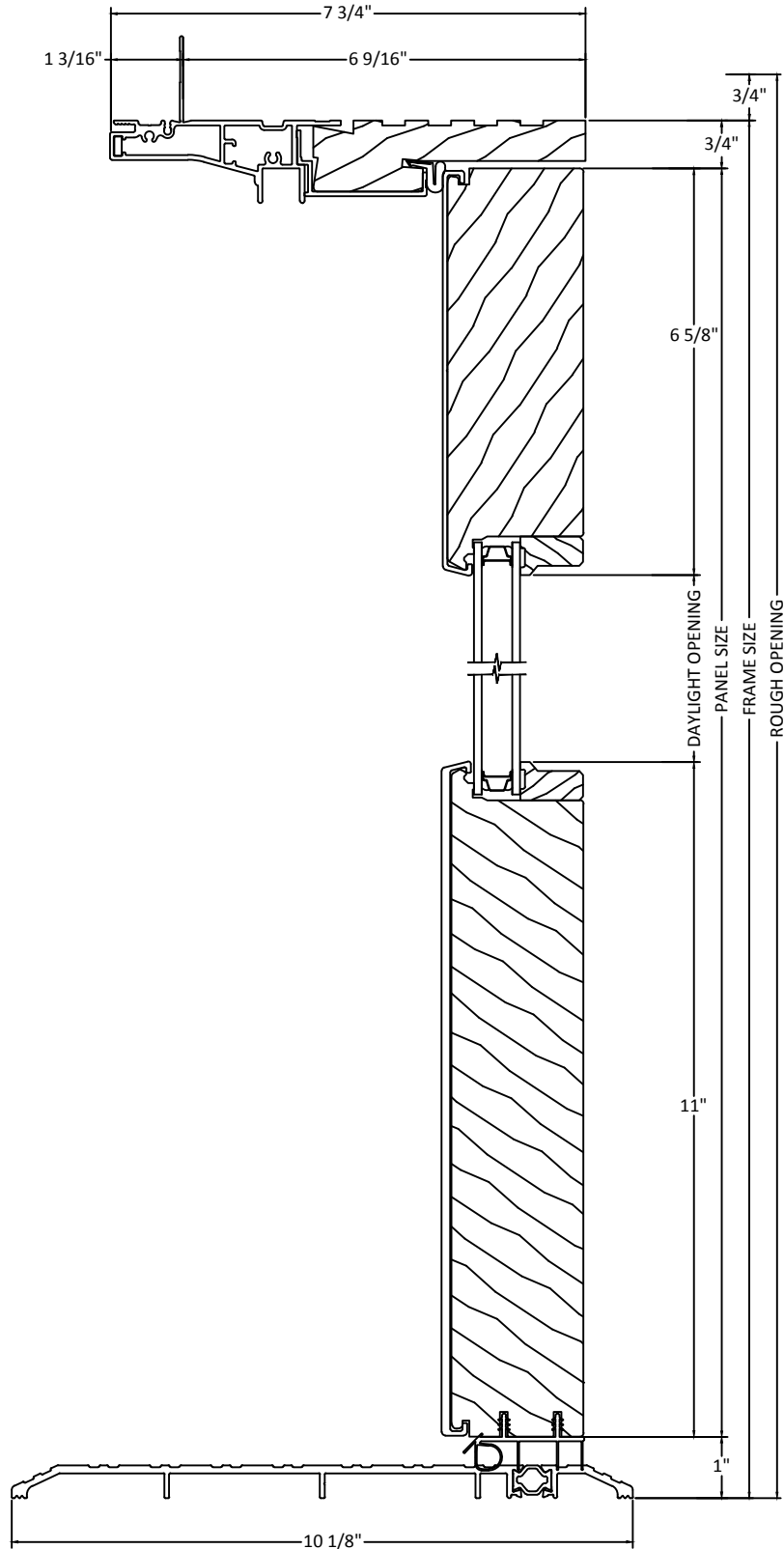
6 9/16" JAMB

VERTICAL SECTION  
4 9/16" JAMB



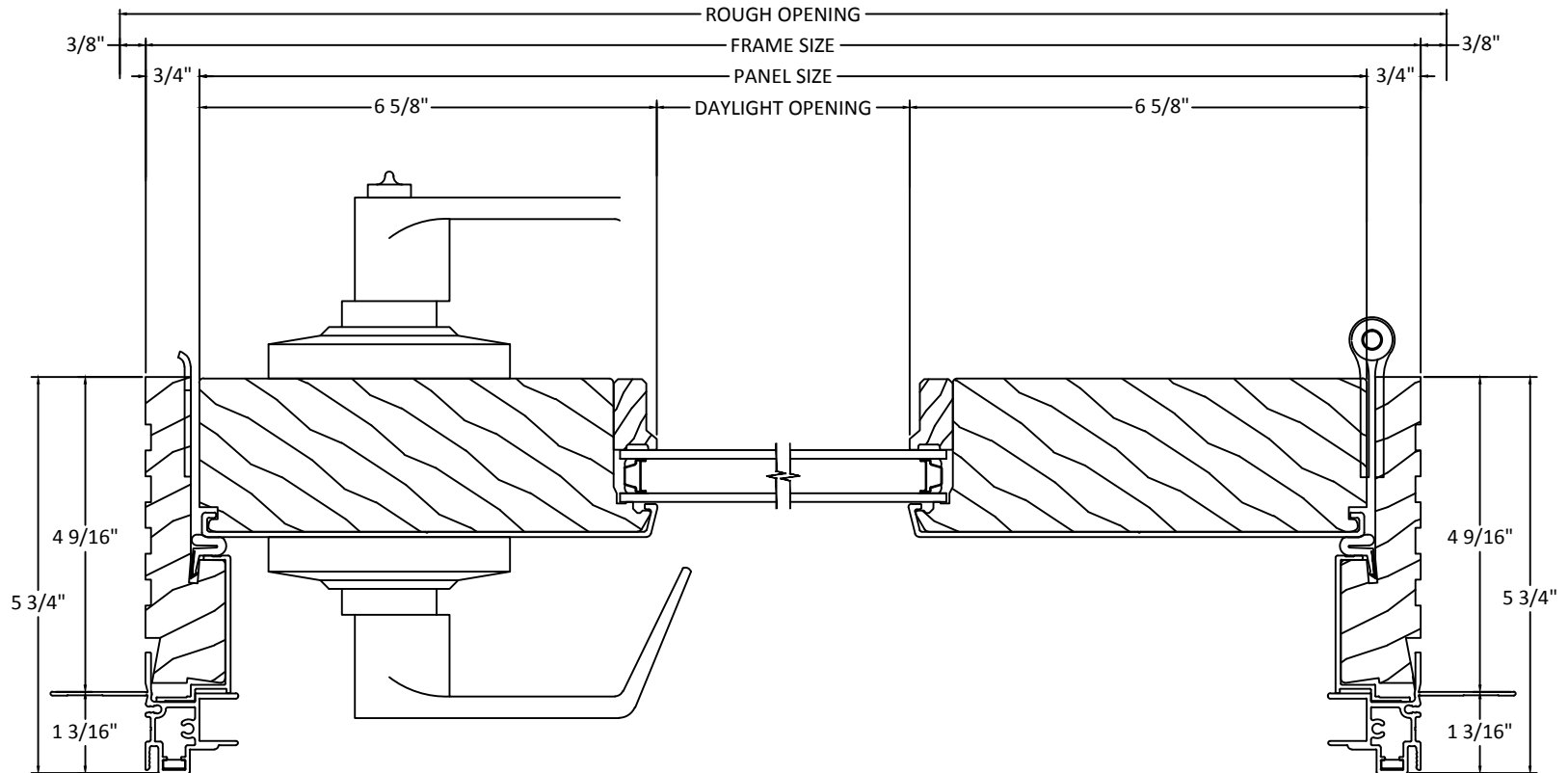
**CUSTOM CLAD PATIO DOOR**  
CUSTOM EPIC® IN-SWING PATIO DOOR (2-1/4")

VERTICAL SECTION  
6 9/16" JAMB



**CUSTOM CLAD PATIO DOOR**  
CUSTOM EPIC® IN-SWING PATIO DOOR (2-1/4")

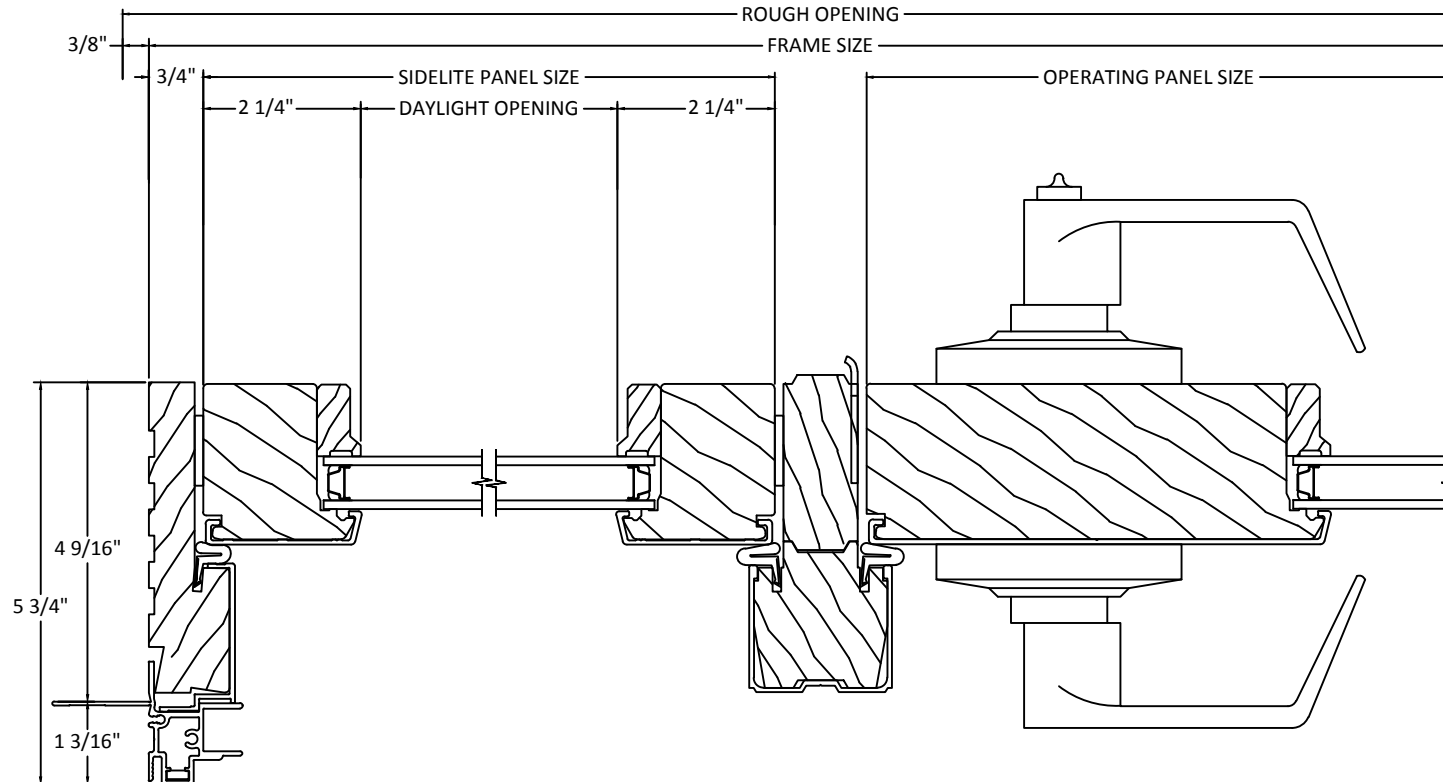
HORIZONTAL SECTION  
SINGLE DOOR (4-9/16" JAMB)





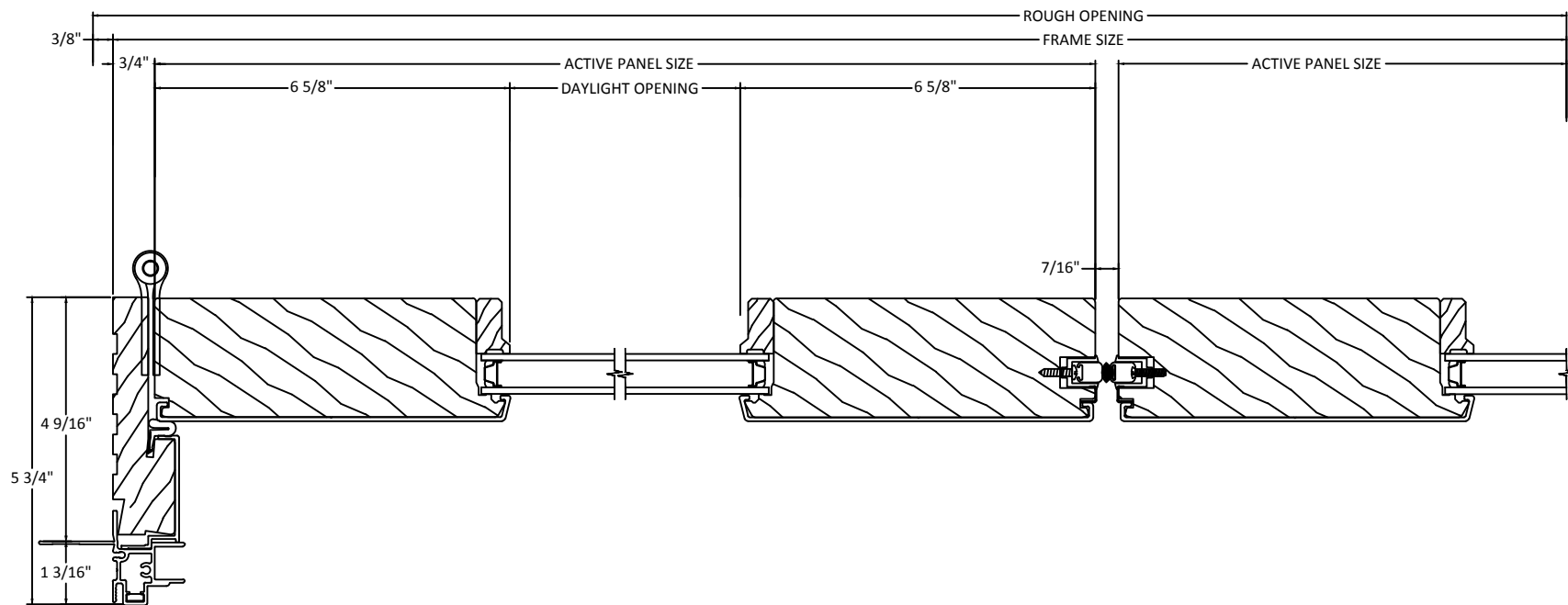
**CUSTOM CLAD PATIO DOOR**  
CUSTOM EPIC® IN-SWING PATIO DOOR (2-1/4")

HORIZONTAL SECTION  
SINGLE DOOR w/SIDELITE (4-9/16" JAMB)



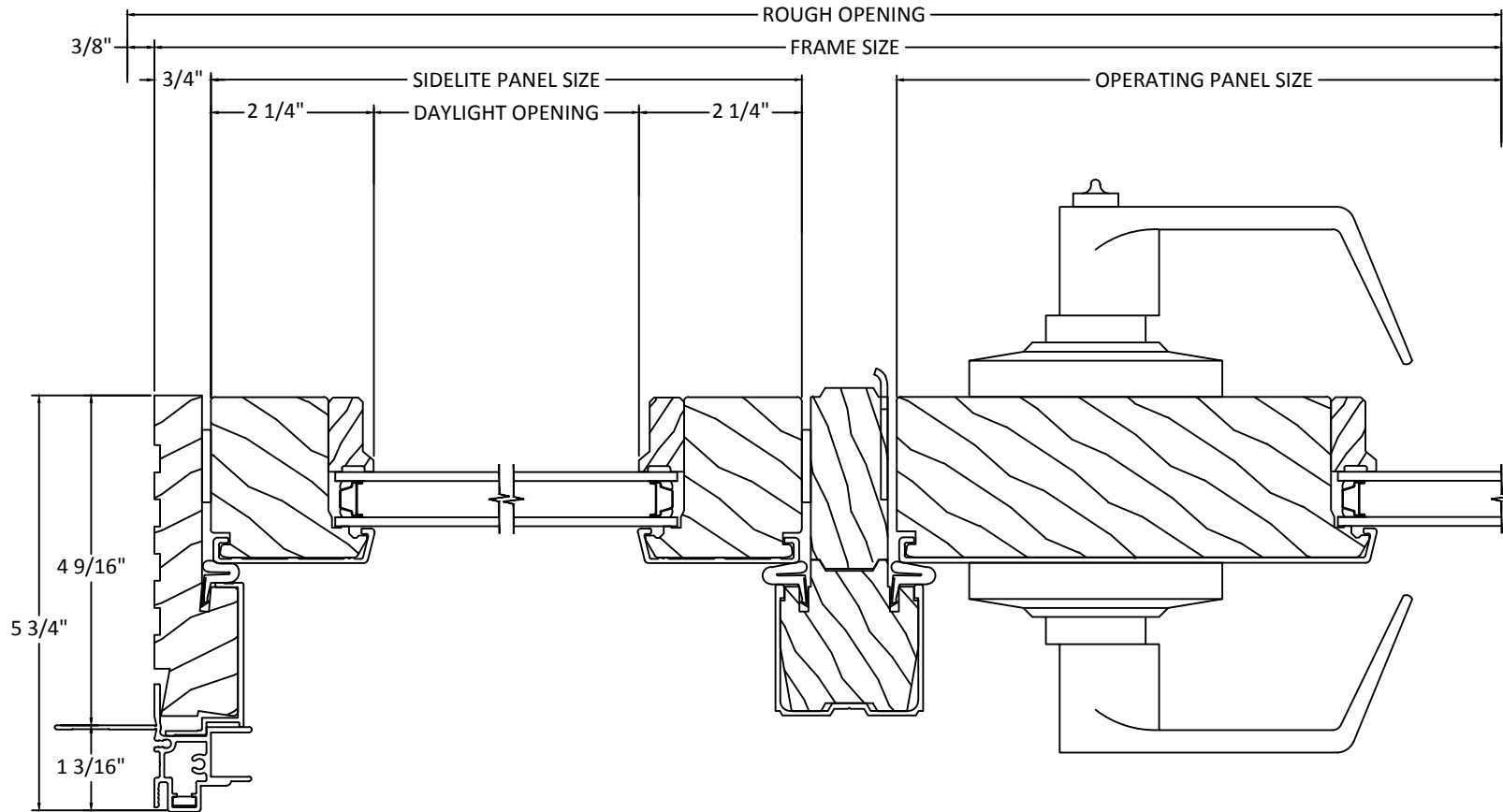
**CUSTOM CLAD PATIO DOOR**  
CUSTOM EPIC® IN-SWING PATIO DOOR (2-1/4")

HORIZONTAL SECTION  
FRENCH DOOR w/ PEMKO ASTRAGAL  
(4-9/16" JAMB)



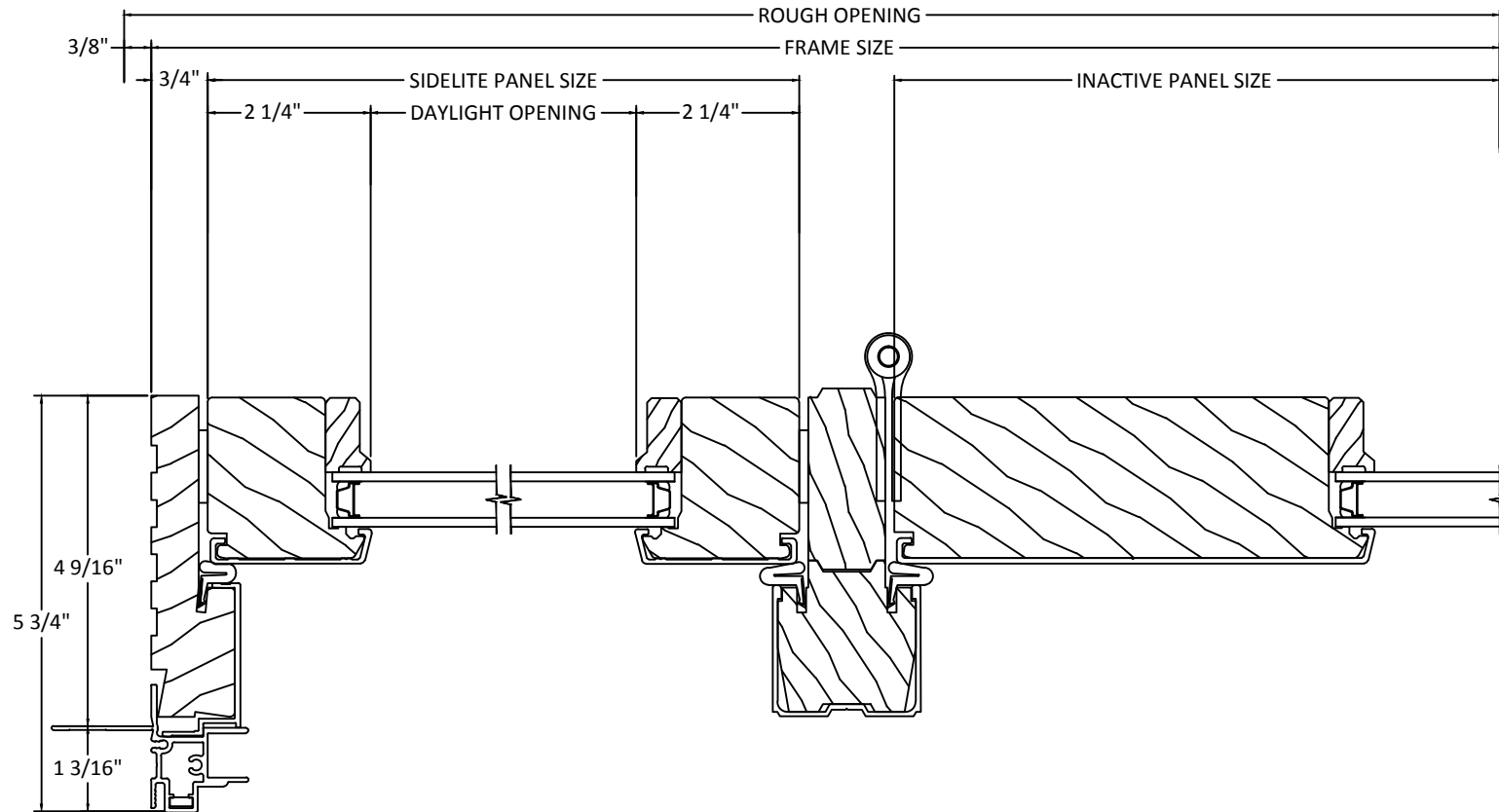
**CUSTOM CLAD PATIO DOOR**  
CUSTOM EPIC® IN-SWING PATIO DOOR (2-1/4")

HORIZONTAL SECTION  
SINGLE DOOR w/ SIDELITE (4-9/16" JAMB)



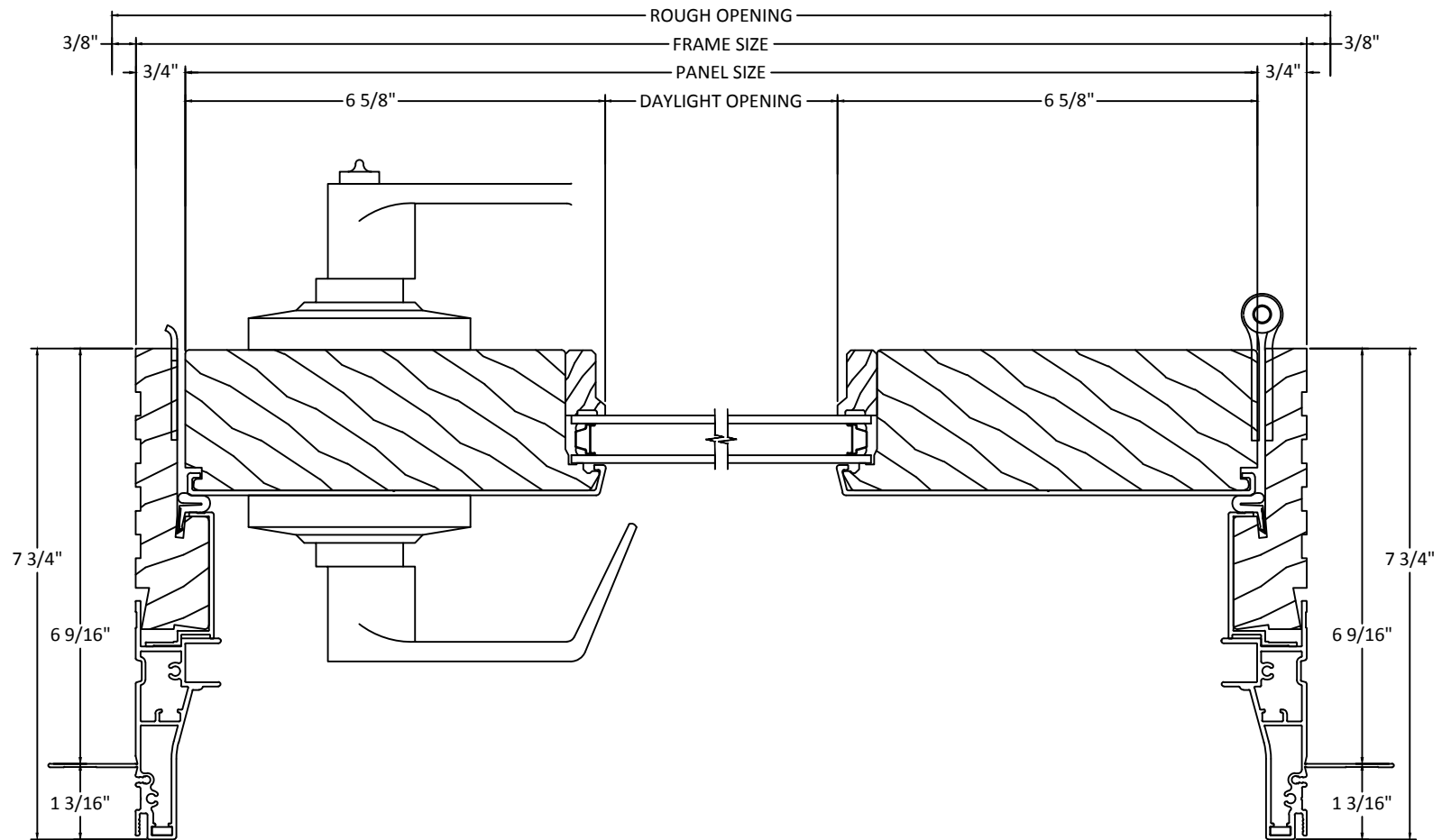
**CUSTOM CLAD PATIO DOOR**  
CUSTOM EPIC® IN-SWING PATIO DOOR (2-1/4")

HORIZONTAL SECTION  
FRENCH DOOR W/SIDELITES (4-9/16" JAMB)



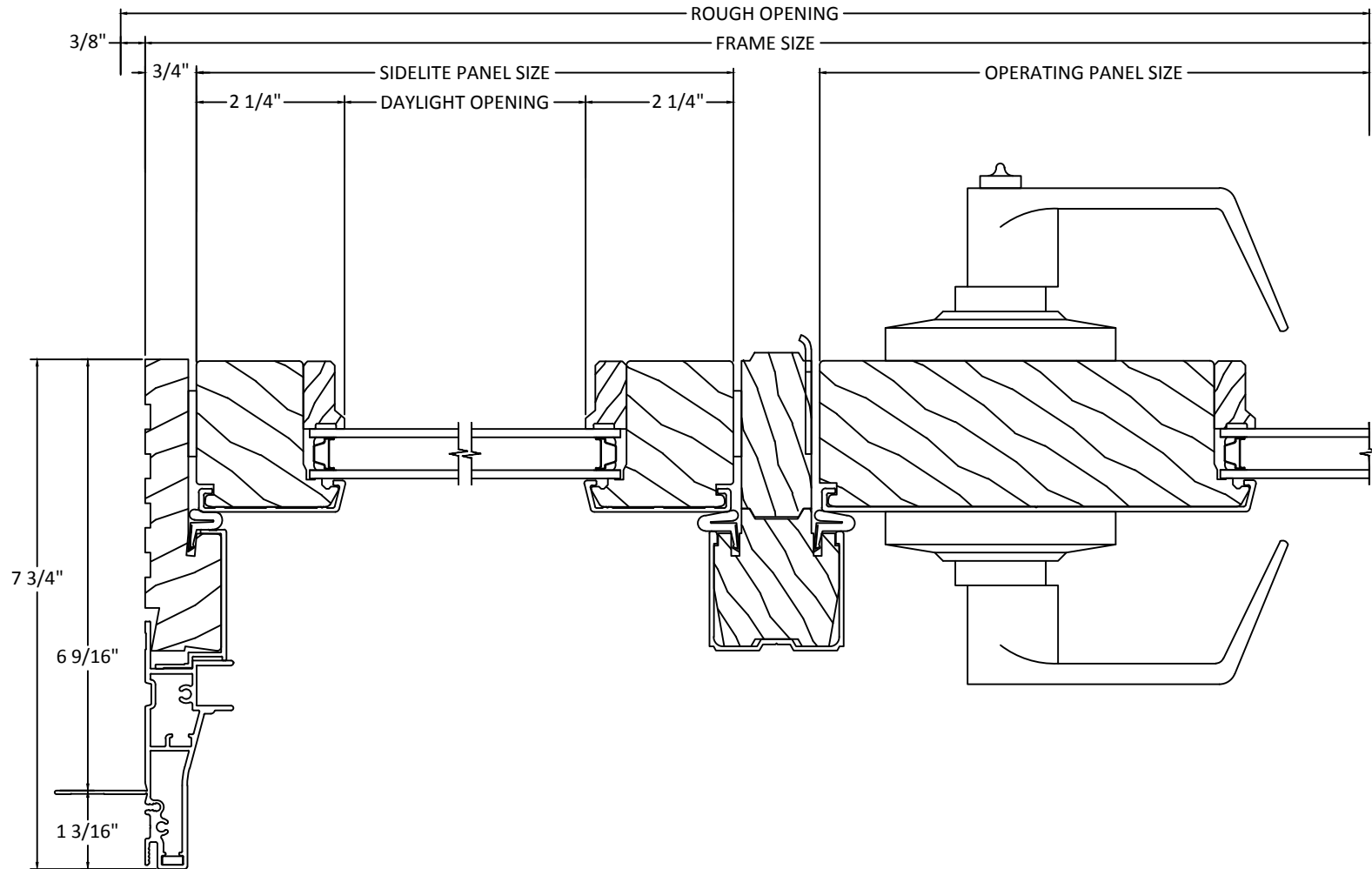
**CUSTOM CLAD PATIO DOOR**  
CUSTOM EPIC® IN-SWING PATIO DOOR (2-1/4")

HORIZONTAL SECTION  
LOCK & DEADBOLT HARDWARE (6-9/16" JAMB)



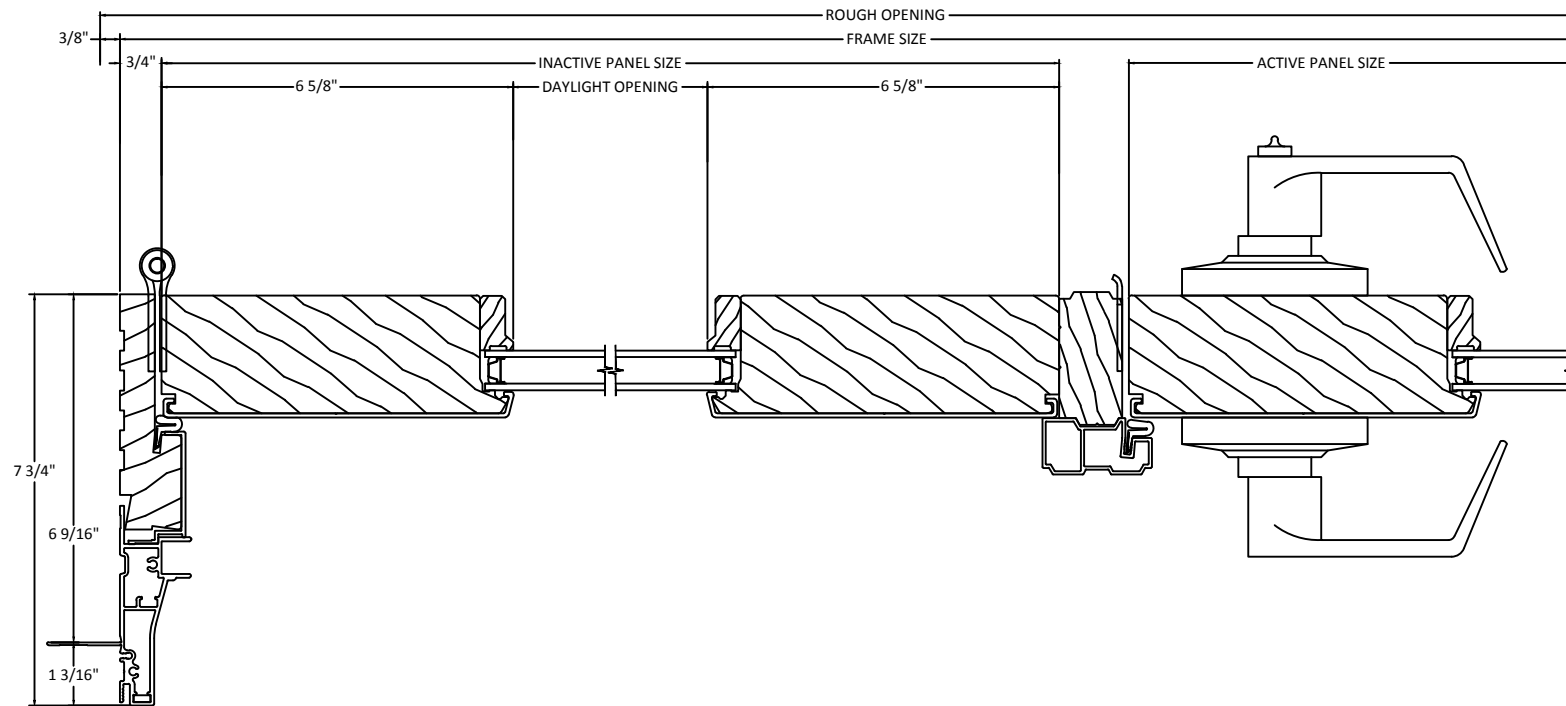
**CUSTOM CLAD PATIO DOOR**  
CUSTOM EPIC® IN-SWING PATIO DOOR (2-1/4")

**HORIZONTAL SECTION**  
SINGLE DOOR w/ SIDELITES (6-9/16" JAMB)



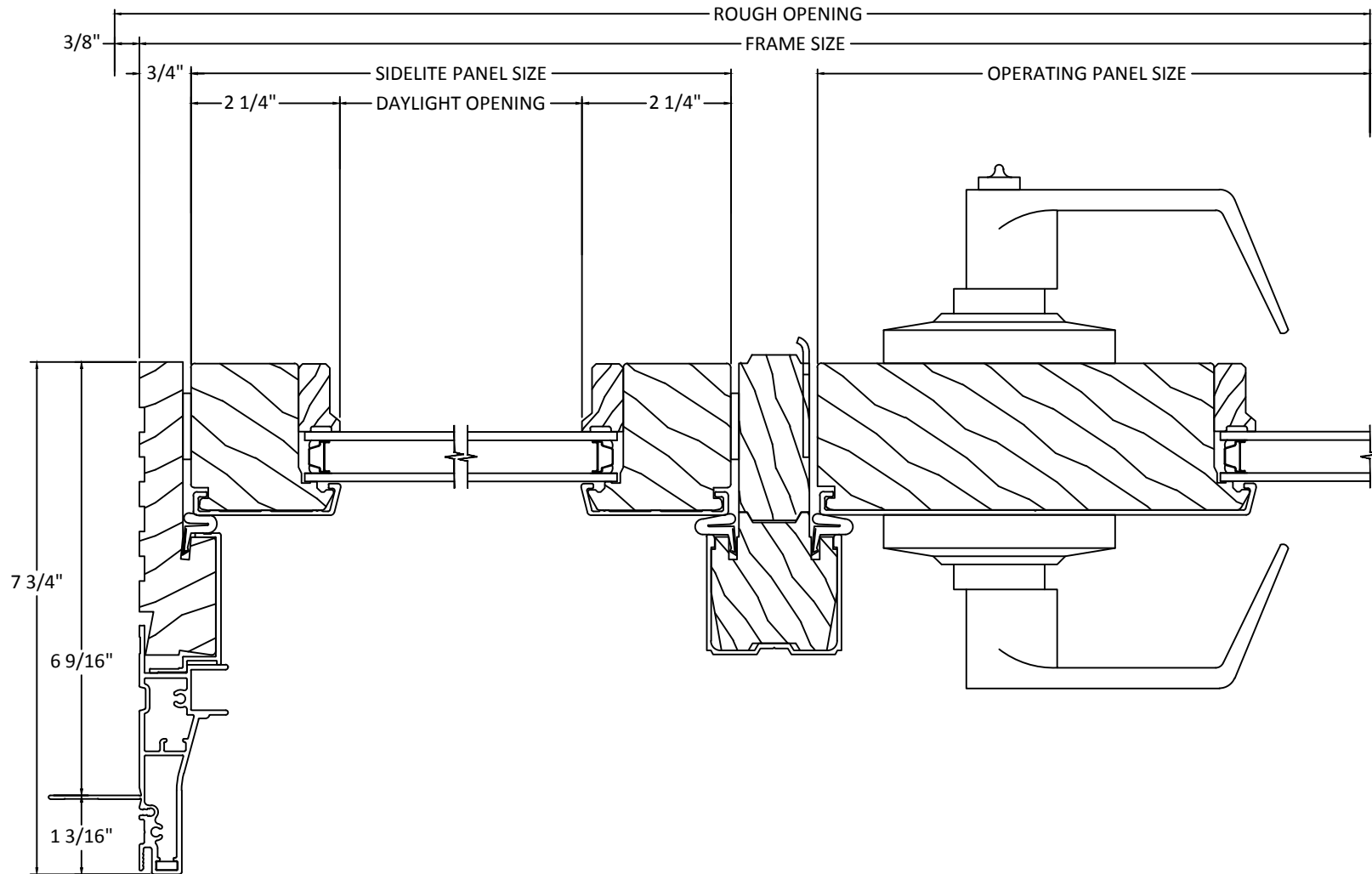
**CUSTOM CLAD PATIO DOOR**  
CUSTOM EPIC® IN-SWING PATIO DOOR (2-1/4")

HORIZONTAL SECTION  
FRENCH DOOR w/ STANDARD ASTRAGAL  
(6-9/16" JAMB)



**CUSTOM CLAD PATIO DOOR**  
CUSTOM EPIC® IN-SWING PATIO DOOR (2-1/4")

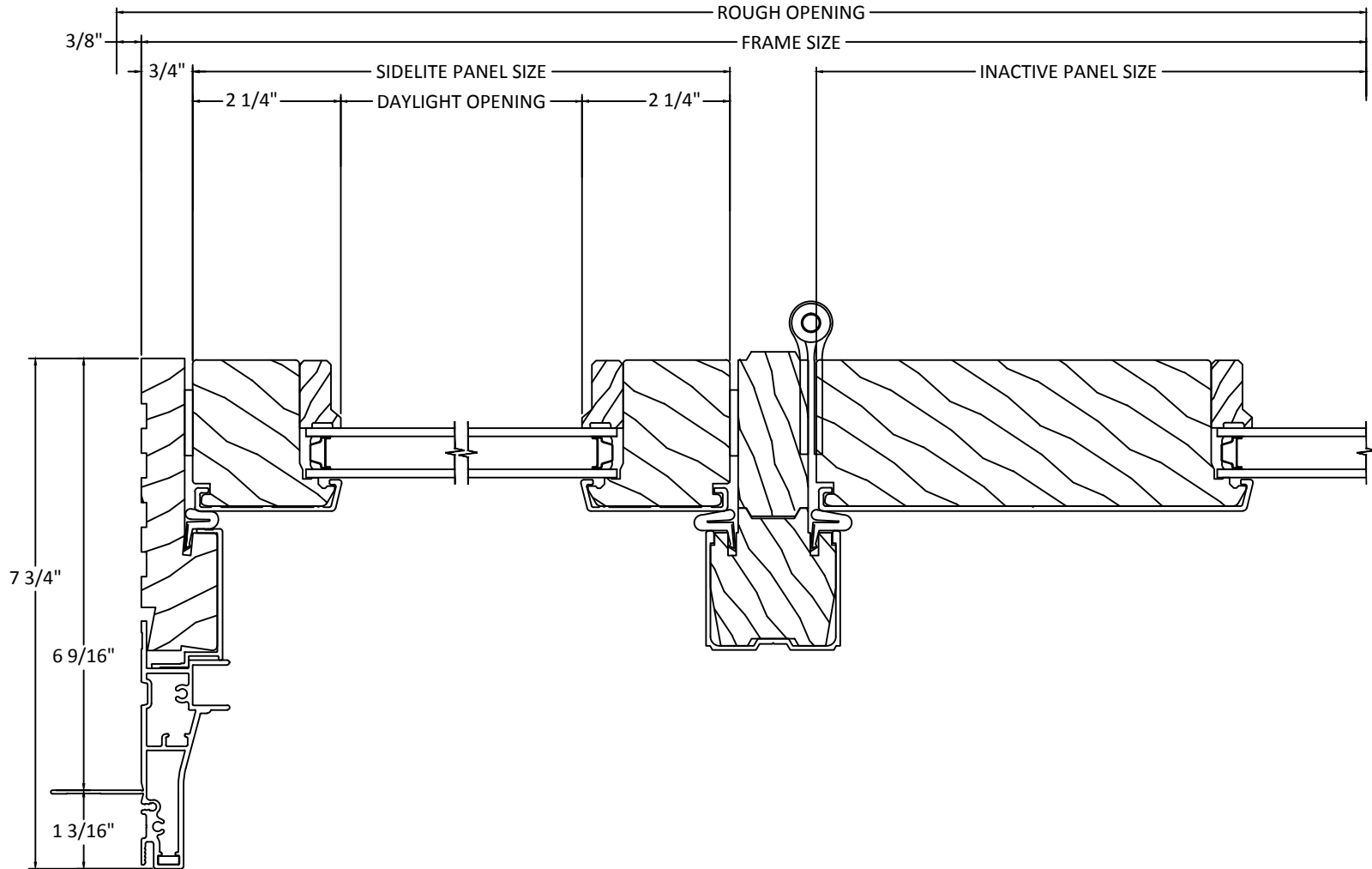
HORIZONTAL SECTION  
SINGLE DOOR w/ SIDELITES (6-9/16" JAMB)



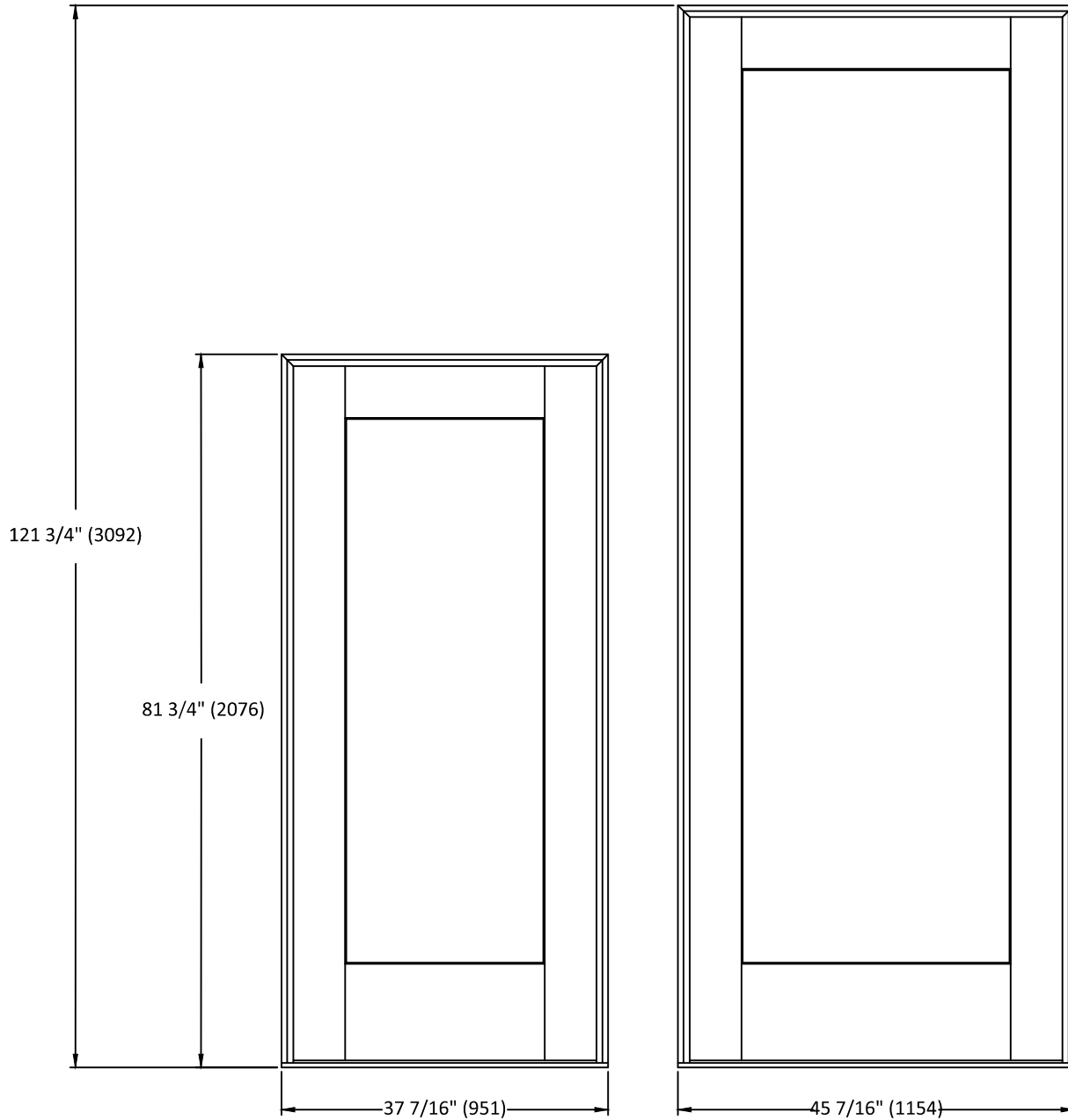


**CUSTOM CLAD PATIO DOOR**  
CUSTOM EPIC® IN-SWING PATIO DOOR (2-1/4")

HORIZONTAL SECTION  
6 9/16" JAMB 2-PANEL W/ 2 SIDELITES



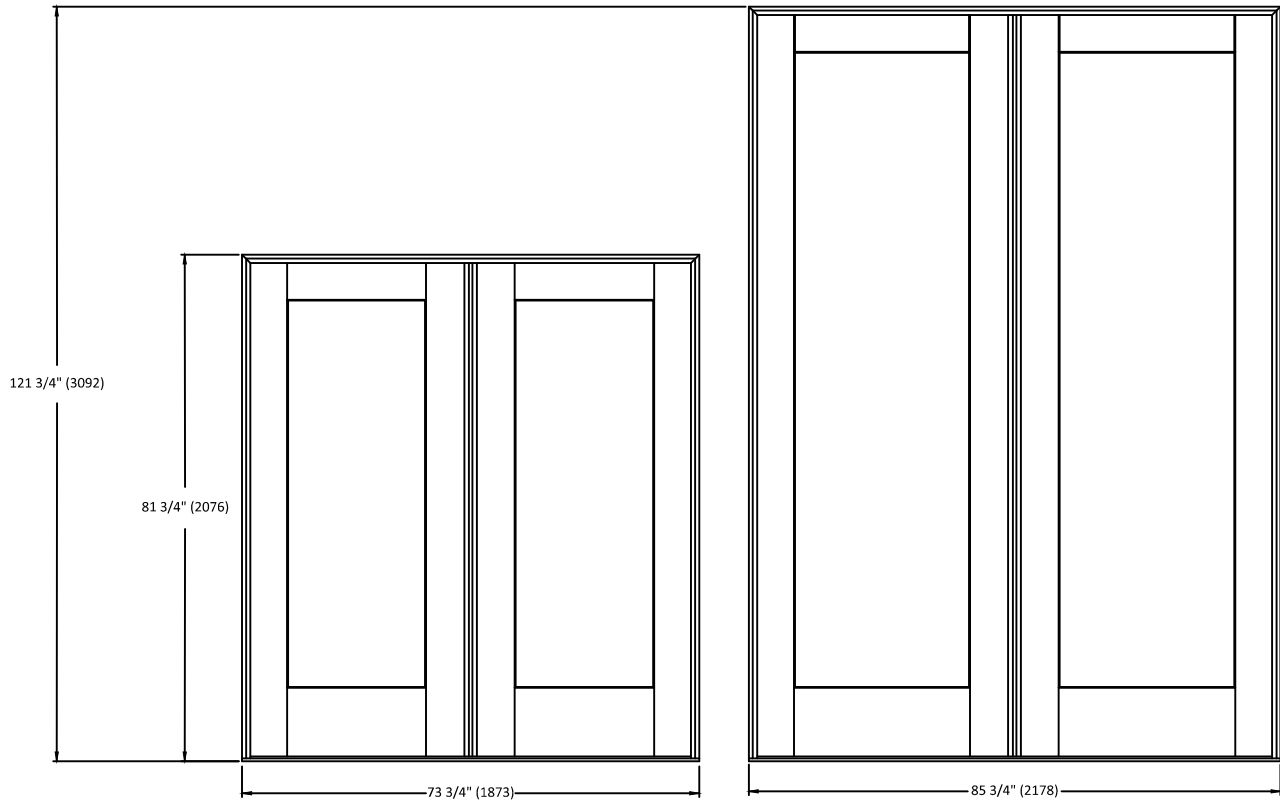
MIN & MAX SIZING  
1 PANEL



Standard widths for the Custom Epic Door 1 Panel:  
37 7/16"(951mm), 43 7/16"(1103mm), 45 7/16"(1154mm).

Standard heights for the Custom Epic Door 1 Panel:  
81 3/4"(2076mm), 85 3/4"(2178mm), 97 3/4"(2483mm), 109 3/4"(2788mm), 121 3/4" (3092mm)

MIN & MAX SIZING  
2 PANEL



Standard widths for the Custom Epic Door 2 Panel:  
73 3/4" (1873mm), 85 3/4" (2178mm)

Standard heights for the Custom Epic Door 2 Panel:  
81 3/4"(2076mm), 85 3/4"(2178mm), 97 3/4"(2483mm), 109 3/4"(2788mm), 121 3/4"(3092mm)