

---

TABLE OF CONTENTS

---

Specifications . . . . .	15-2
Quick Spec Guide . . . . .	15-3
Elevations: 1/4" Scale . . . . .	15-5
Full Round Units . . . . .	15-8
Octagon Units . . . . .	15-9
Casement Half Round Units . . . . .	15-10
Casement Quarter Round Units . . . . .	15-12
Double-Hung Half Round Units . . . . .	15-13
Double-Hung Quarter Round Units . . . . .	15-14
In-Swing Patio Door Half Round Units . . . . .	15-15
Out-Swing Patio Door Half Round Units. . . . .	15-16
Glazing Options . . . . .	15-17
Trim Options . . . . .	15-23
Jamb Options . . . . .	15-24
Mullion Details . . . . .	15-26
Grille & SDL Options. . . . .	15-31
Unit Sizing, Rough Openings & Masonry Openings . . . . .	15-37
Section Details: 6" Scale . . . . .	15-38

**PRODUCT SPECIFICATIONS****EXTERIOR FINISH**

Exterior aluminum surfaces are finished with a fluoropolymer (70% Kynar 500®) multi-coat finish system to meet the performance standards required by AAMA specification #2605. 41 standard colors include Brilliant White, Chestnut Bronze, Desert Sand, French Vanilla, Hartford Green, Mesa Red, Black Licorice, Heirloom White, Hunter Green, Redwood, Sage Brown, Smoke, and more. Custom Color Matching available.

**AURALAST® WOOD**

AuraLast® wood is fundamentally different from wood treated in traditional millwork preservation processes in that it uses a proprietary vacuum/pressure process to provide protection throughout the wood parts used to make windows and doors. AuraLast® wood is distinguished from wood using traditional preservation methods by its unique ability to achieve greater penetration of the active ingredients into the wood parts, with a minimum treatment penetration of 92%.

**INTERIOR FINISH**

Interior surfaces are unfinished clear pine ready for on-site finishing. Optional prefinished pine interiors include four acrylic colors (Moderate White, Extra White, Natural Choice, Pure White), five stains (Wheat, Cherry, Fruitwood, Cordovan, Cider) and a clear lacquer topcoat. Primed interior is also available. Optional interior wood species include vertical grain Douglas Fir, Mahogany and Knotty Alder.

**FRAME**

Frame is assembled from select kiln-dried pine AuraLast® wood on all exterior parts. Exterior surface is covered with .050 gauge extruded aluminum cladding. Standard jamb width is 4-9/16". Integral nailing fin is part of the frame extrusion on all four sides.

**GLAZING**

Insulating glass is constructed from two panes of glass, utilizing a continuous roll formed stainless steel spacer with dual seal sealant. Radius insulating glass is construction of panes of glass utilizing an anodized rectangular spacer. The glass is mounted into the sash using a silicone-glazing compound and secured with interior applied profiled wood stops. All insulating glass units comply with the performance requirements of IGCC in accordance with either ASTM E774 or E2190.

**GLAZING OPTIONS**

Insulating glass available in Low-E with Argon, Low-E, Low-E 366, Clear, Neat Glass, Seedy Reamy, tinted, reflective, or obscure, tempered or other specialty glass as specified. Preserve® film is a 0.003" thick polyethylene film with a low tack acrylic adhesive applied to the glass for protection during shipping and installation. Installations at 4,000 foot elevations and higher require a capillary tube to equalize environmental stress (otherwise known as High Altitude glazing). High Altitude glazing does not allow the use of Argon as listed under glazing options.

**GRILLES**

**SDL** (Simulated Divided Lites) - extruded aluminum muntins permanently applied to the exterior of the insulating glass unit (not available on textured glass) in 5/8", 7/8", 1-1/8", or 1-3/8" widths. Profiles are bead stop in all widths, and a putty profile in 5/8", 7/8", and 1-1/8" widths only. SDL is standard with a light bronze internal shadow bar to give a true divided lite appearance. As an option, SDL may be ordered with a silver shadow bar. Clear wood interior muntin bars match the exterior muntin width and are permanently bonded to the interior of the glass. Also available is a 2-5/16" SDL bar, which simulates a double-hung checkrail.

**Full-Surround Removable Wood Grilles** - Rectangular, unfinished interior clear pine wood grilles in 7/8", 1-1/8", and 1-3/8" are available in patterns selected by the owner.

**GBG** (Grilles between the Glass) - 5/8" flat, 23/32" contour, or 1" contour grilles mounted between the glass panes suspended within the air cavity.

**EXTERIOR TRIM**

Drip cap and integral nailing fin standard with optional extruded aluminum brickmould, 3-1/2" flat, 3-1/2" Adams and Heritage trims. Optional mull covers to accommodate 1" (spread only), 2", 3-1/2" and 6" spread and stud pocket mull.

**EXTENSION JAMBS**

Extensions are applied to the interior on all four sides of the frame in wall depths up to 7-15/16" for 4/4 and up to 12-1/2" for 5/4, factory applied.

**INSTALLATION**

Installation per JELD-WEN Installation Method for Metal Clad Windows. See [www.jeld-wen.com/resources](http://www.jeld-wen.com/resources) for instructions.

**PERFORMANCE**

**NFRC Certified** - (rated and labeled in accordance with NFRC 100 and 200 procedures)

**ANSI/AAMA/NWDA/101/I.S.2-97**  
**AMMA/WDMA/CSA 101/I.S.2/A440-05**  
**WDMA Hallmark Certified**

See [www.jeld-wen.com](http://www.jeld-wen.com) for architectural and performance information.

**QUICK SPEC GUIDE**

SPECIFICATION	STANDARD FEATURES	OPTIONAL FEATURES <i>Some options may require additional lead times. Consult your JELD-WEN Sales Representative.</i>	
<b>EXTERIOR FINISH</b>	<ul style="list-style-type: none"> <li>• Brilliant White</li> <li>• Chestnut Bronze</li> <li>• Desert Sand</li> <li>• French Vanilla</li> <li>• Mesa Red</li> <li>• Hartford Green</li> <li>• Black Licorice</li> <li>• Heirloom White</li> <li>• Hunter Green</li> <li>• Redwood</li> <li>• Sage Brown</li> <li>• Smoke</li> <li>• Artic Silver</li> <li>• Dark Chocolate</li> <li>• Black Emerald</li> <li>• Bone White</li> <li>• Bronze</li> <li>• Buckskin</li> <li>• Cambridge White</li> <li>• Capri Blue</li> <li>• Cascade</li> </ul>	<ul style="list-style-type: none"> <li>• Champagne</li> <li>• Clover Mist</li> <li>• Dark Buckskin</li> <li>• Dark Ivy</li> <li>• Deep Summer</li> <li>• Garnet</li> <li>• Haverstraw</li> <li>• Hudson Blue</li> <li>• Ivory</li> <li>• Liberty Blue</li> <li>• Mocha Cream</li> <li>• Mosaic Green</li> <li>• Pueblo Tan</li> <li>• Rosewood</li> <li>• Scarlet Haze</li> <li>• Sea Foam</li> <li>• Teal</li> <li>• Wedgewood</li> <li>• White</li> </ul>	<ul style="list-style-type: none"> <li>• Custom Color Matching</li> </ul>
<b>EXTERIOR TRIM</b>	<ul style="list-style-type: none"> <li>• Drip Cap &amp; Integral Nailing Fin</li> </ul>	<ul style="list-style-type: none"> <li>• Extruded Aluminum Brickmould</li> <li>• Adams Casing (2 pc)</li> <li>• 3-1/2" Flat Casing (2 pc)</li> <li>• Heritage Casing</li> </ul>	
<b>INTERIOR WOOD</b>	<ul style="list-style-type: none"> <li>• Western Pine</li> </ul>	<ul style="list-style-type: none"> <li>• Knotty Alder</li> <li>• Vertical Grain Douglas Fir</li> <li>• Mahogany</li> </ul>	
<b>INTERIOR FINISH</b>	<ul style="list-style-type: none"> <li>• Natural</li> </ul>	<ul style="list-style-type: none"> <li>• Priming Available</li> </ul> <p>Pre-finished Interior Options are:</p> <ul style="list-style-type: none"> <li>• Paint - Pure White, Extra White, Natural Choice, Moderate White</li> <li>• Stain - Wheat, Fruitwood, Cherry, Cordovan, Cider</li> <li>• Clear Lacquer</li> </ul>	
<b>SIZE</b>	<ul style="list-style-type: none"> <li>• Standard sizes available in Full Rounds, Octagons, Casement Half Rounds, Casement Quarter Rounds, Double-Hung Half Rounds, Twin Double-Hung Half Rounds, Double-Hung Quarter Rounds, In-Swing and Out-Swing Patio Door Half Rounds in both true size and replacement sizes.</li> </ul>	<ul style="list-style-type: none"> <li>• Custom sizes and shapes from 4" to 131-5/8"</li> <li>• Smallest frame angle is 11 degrees</li> <li>• Smallest frame radius is 9"</li> <li>• Smallest full round is 18" diameter</li> </ul>	

*Continued on next page*

QUICK SPEC GUIDE

SPECIFICATION	STANDARD FEATURES	OPTIONAL FEATURES <i>Some options may require additional lead times. Consult your JELD-WEN Sales Representative.</i>
<b>GLAZING</b>	<ul style="list-style-type: none"> <li>• Low-E Insulating Glass (with Argon)</li> <li>• Low-E 366</li> <li>• Preserve® Protective Film</li> </ul>	<ul style="list-style-type: none"> <li>• Clear</li> <li>• Obscure</li> <li>• Reflective</li> <li>• Tints: Bronze, Gray, Green</li> <li>• Glue Chip</li> <li>• Safety Laminate in Clear, Bronze or Gray</li> <li>• Neat Glass</li> <li>• Seedy Reamy</li> <li>• Rain</li> <li>• Narrow Reed</li> <li>• Sandblasted</li> <li>• Tempered</li> <li>• Impact Resistant</li> </ul>
<b>GRILLES</b>		<p>SDL Bead Profile:</p> <ul style="list-style-type: none"> <li>• 5/8", 7/8", 1-1/8", 1-3/8", 2-5/16" with Light Bronze Shadow Bar</li> <li>• 5/8", 7/8", 1-1/8", 1-3/8", 2-5/16" with Silver Shadow Bar</li> </ul> <p>SDL Putty Profile:</p> <ul style="list-style-type: none"> <li>• 5/8", 7/8" and 1-1/8" with Light Bronze Shadow Bar</li> <li>• 5/8", 7/8" and 1-1/8" with Silver Shadow Bar</li> </ul> <p>GBG (Grilles between the Glass):</p> <ul style="list-style-type: none"> <li>• 5/8" Flat, 23/32" Contour, 1" Contour</li> </ul> <p>Full-Surround:</p> <ul style="list-style-type: none"> <li>• 7/8", 1-1/8", 1-3/8"</li> </ul>
<b>JAMB</b>	<ul style="list-style-type: none"> <li>• Applied, 4/4</li> <li>• 4-9/16"</li> </ul>	<ul style="list-style-type: none"> <li>• Up to 7-15/16" 4/4</li> <li>• Up to 12-1/2" 5/4</li> </ul>

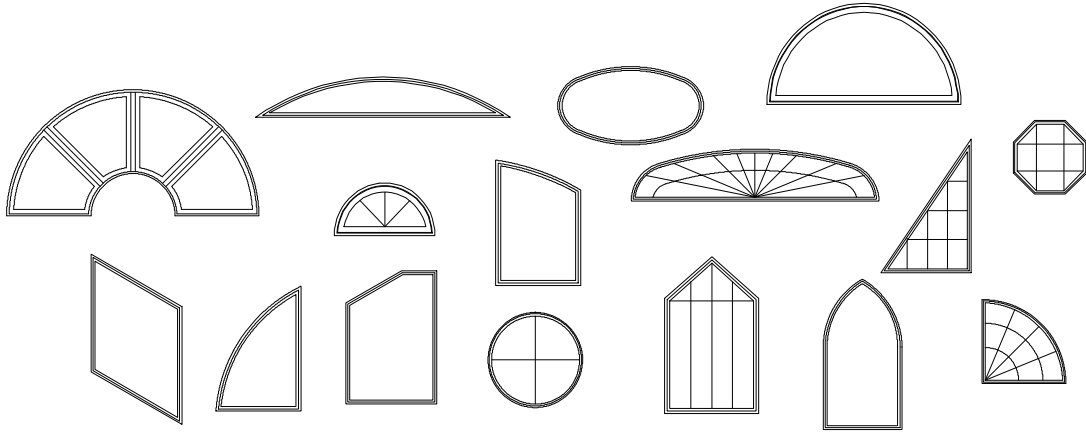
---

**GENERAL INFORMATION**

---

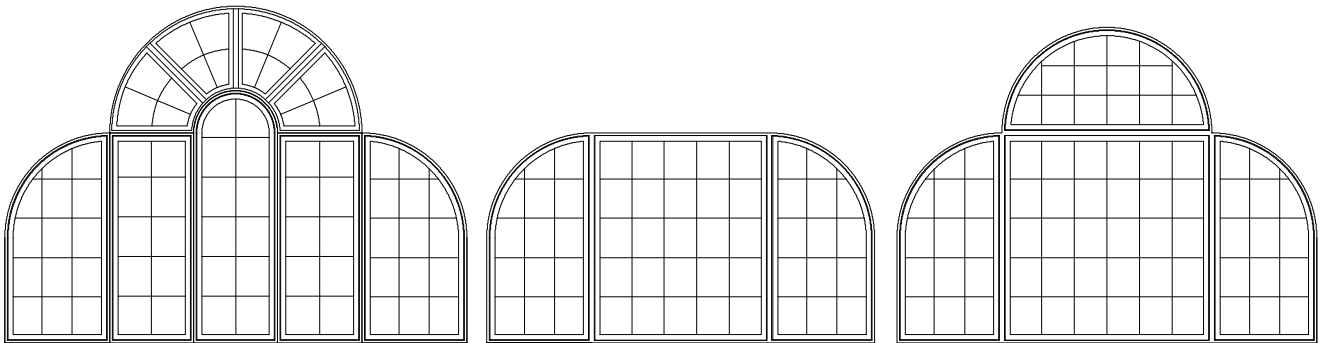
**STANDARD SIZES & DESIGNS**

Clad geometric windows are produced one-at-a-time to customer order, and are available in a nearly infinite range of sizes and shapes. Specified sizes, angles, and radii can be attained in finished units, to meet the most demanding architectural requirements.



**MULTIPLE ASSEMBLIES**

Clad direct-set geometric windows may be mullied above, below, or beside other clad geometric windows, or other clad window or patio door products. Factory assembled mulls are limited in height (100"), width (150"), and total area (75 square feet).

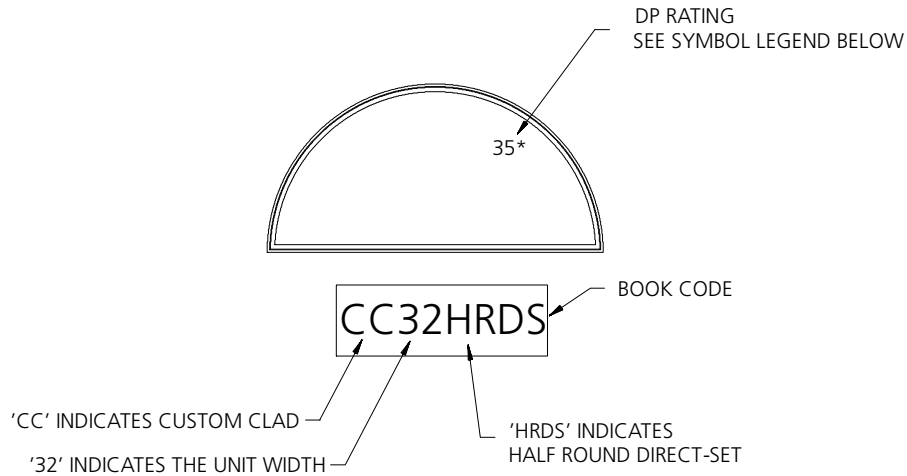


**ELEVATION NOTES**

ELEVATION DRAWINGS UTILIZE A LIMITED NUMBER OF PROJECTED LINES TO PRODUCE A RUDIMENTARY DRAWING INTENDED TO BE USED IN A SMALL GRAPHICAL SCALE. ELEVATIONS ARE VIEWED PERPENDICULAR FROM THE EXTERIOR OF THE STRUCTURE. IF MORE DIMENSIONS ARE NEEDED, USE THE SECTION DRAWINGS FOR MORE COMPLETE DEPICTIONS.

**BOOK CODE DEFINITIONS**

- |     |              |   |
|-----|--------------|---|
| 1.  | CCXXHRDS     | CUSTOM CLAD HALF ROUND DIRECT-SET                           |
| 2.  | CCDHRXXHRDS  | CUSTOM CLAD DOUBLE-HUNG HALF ROUND DIRECT-SET               |
| 3.  | CCIPDXHRDS   | CUSTOM CLAD IN-SWING PATIO DOOR HALF ROUND DIRECT-SET       |
| 4.  | CCIPDTXXHRDS | CUSTOM CLAD IN-SWING PATIO DOOR TRUE HALF ROUND DIRECT-SET  |
| 5.  | CCOPDXHRDS   | CUSTOM CLAD OUT-SWING PATIO DOOR HALF ROUND DIRECT-SET      |
| 6.  | CCOPDTXXHRDS | CUSTOM CLAD OUT-SWING PATIO DOOR TRUE HALF ROUND DIRECT-SET |
| 7.  | CCXXQRDS     | CUSTOM CLAD QUARTER ROUND DIRECT-SET                        |
| 8.  | CCXXFRDS     | CUSTOM CLAD FULL ROUND DIRECT-SET                           |
| 9.  | CCOCTXXDS    | CUSTOM CLAD OCTAGON DIRECT-SET                              |
| 10. | CCDHRXXQRDS  | CUSTOM CLAD DOUBLE-HUNG QUARTER ROUND DIRECT-SET            |



**GENERAL NOTES**

1. UNIT ELEVATIONS ARE SHOWN WITHOUT EXTERIOR TRIM. MASONRY OPENING & ROUGH OPENING ARE EQUAL. UNIT SIZE AND FRAME SIZE ARE EQUAL.
2. ALL UNITS SHOWN ARE AVAILABLE AS FIXED ONLY.
3. TO DETERMINE DAYLIGHT OPENING DEDUCT 3-13/16" [97] FROM FRAME SIZE.
4. UNITS ARE SHOWN AS ONE LITES. SEE THE STANDARD LITE CUT PAGES FOR INFORMATION ON AVAILABLE LITE CUT CONFIGURATIONS.
5. GLASS SIZES ARE NOMINAL.
6. VALUES IN BRACKETS ARE MILLIMETER CONVERSIONS.

**ELEVATION SYMBOL LEGEND:**

- ##\*** NUMBER INDICATES DESIGN PRESSURE (DP) RATING WITH STANDARD GLAZING ON OPERATING OR STATIONARY UNITS.

**SUBSILL RESTRICTIONS**

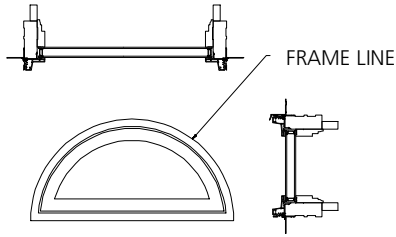
SUBSILL MAY NOT BE APPLIED TO OCTAGON, FULL ROUND, OVAL, INVERTED HALF ROUND, AND INVERTED QUARTER ROUND UNITS.

**ELEVATION NOTES**

**GEOMETRIC ELEVATIONS:**

THE POSSIBLE SHAPES AND CONFIGURATIONS OF GEOMETRIC WINDOWS ARE TOO NUMEROUS TO OFFER IN A DRAWING FORMAT. CREATE THE OUTSIDE FRAME LINES OF THE GEOMETRIC SHAPE DESIRED. REFER TO SECTION DETAILS AND DIMENSIONS TO FIND THE APPROPRIATE OFFSET DIMENSIONS FOR FRAME FEATURES AND DAYLIGHT OPENING. THE FOLLOWING INFORMATION DETAILS THE CREATION OF TRIM AND SUBSILL FOR GEOMETRIC ELEVATIONS.

**STANDARD ELEVATIONS**



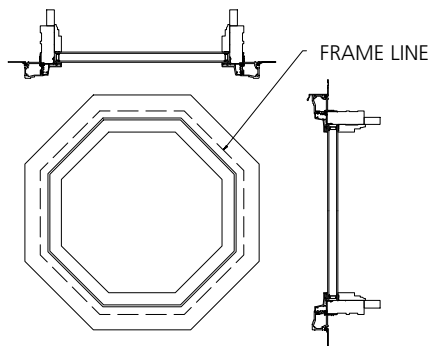
**STANDARD GEOMETRIC ELEVATIONS**

Geometric elevations are drawn as 'Frame Only' (without trim) to simplify mulling and multiple assemblies. Trim and subsill applications can easily be offset from frame lines to create the desired trim and finish.

**MULLING CLAD UNITS**

All clad elevations are shown without any exterior trim. When mulling clad units the outside line is always the frame. Refer to Mullion Details for specifications.

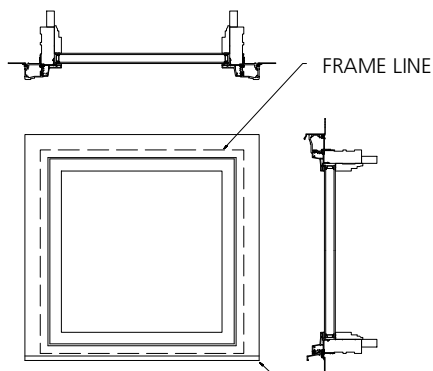
**TRIM - ALL SIDES**



**TRIM - ALL SIDES**

Applying trim to all 4 sides of an elevation is an offset from the frame. See Unit Sizing, Rough Openings & Masonry Openings page for offset dimensions of various trim options.

**SUBSILL**



**SUBSILL**

Subsill is applied to the bottom of straight line portions of the window. The subsill is continuous to the outside dimensions of the units frame or trim. The application of subsill will affect the rough opening by adding 1" to the rough opening height. See Unit Sizing, Rough Opening & Masonry Openings page for more information.

**SUBSILL RESTRICTIONS**

Subsill may not be applied to octagon, full round, oval, inverted half round and inverted quarter round units.

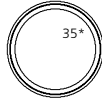
SUBSILL EXTENDS TO OUTSIDE  
EDGE OF THE TRIM

**FULL ROUND UNITS**

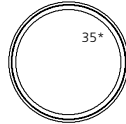
<b>M.O. BRICKMOULD</b>	23 1/4"(591)	27 1/4"(692)	33 1/4"(845)	35 1/4"(895)	39 1/4"(997)
<b>M.O. ADAMS/FLAT CASING</b>	26 5/16"(668)	30 5/16"(770)	36 5/16"(922)	38 5/16"(973)	42 5/16"(1074)
<b>ROUGH OPENING</b>	20 3/4"(527)	24 3/4"(629)	30 3/4"(781)	32 3/4"(832)	36 3/4"(933)
<b>FRAME SIZE</b>	20"(508)	24"(610)	30"(762)	32"(813)	36"(914)
<b>DAYLIGHT OPENING</b>	16 7/32"(412)	20 7/32"(514)	26 7/32"(666)	28 7/32"(717)	32 7/32"(818)



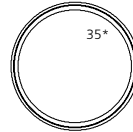
CC20 FRDS



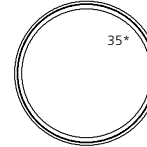
CC24 FRDS



CC30 FRDS

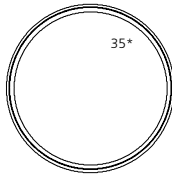


CC32 FRDS

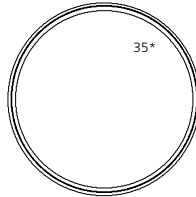


CC36 FRDS

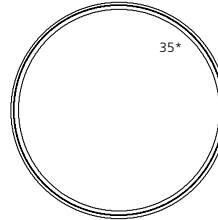
<b>M.O. BRICKMOULD</b>	45 1/4"(1149)	51 1/4"(1302)	57 1/4"(1454)	63 1/4"(1607)
<b>M.O. ADAMS/FLAT CASING</b>	48 5/16"(1227)	54 5/16"(1379)	60 5/16"(1532)	66 5/16"(1684)
<b>ROUGH OPENING</b>	42 3/4"(1086)	48 3/4"(1238)	54 3/4"(1391)	60 3/4"(1543)
<b>FRAME SIZE</b>	42"(1067)	48"(1219)	54"(1372)	60"(1524)
<b>DAYLIGHT OPENING</b>	38 7/32"(971)	44 7/32"(1123)	50 7/32"(1276)	56 7/32"(1428)



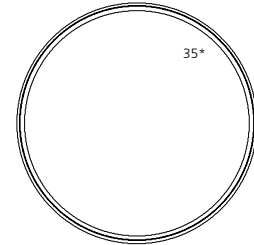
CC42 FRDS



CC48 FRDS



CC54 FRDS



CC60 FRDS

**ELEVATION SYMBOL LEGEND:**

**M.O.** = MASONRY OPENING

VALUES IN ( ) ARE IN MILLIMETER CONVERSIONS.

**##\*** NUMBER INDICATES DESIGN PRESSURE (DP) RATING WITH STANDARD GLAZING.

Note: Elevations shown DO NOT have exterior trim. Subtract 1/2" (12.7) from M.O. (Masonry Opening) for Unit Sizes. Masonry Openings above include Sill Nose, see Trim Options page for Sill Nose specifications. For other Trim Options refer to the Unit Sizing, Rough Opening & Masonry Openings page.

SCALE: 1/4" = 1'

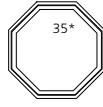


**OCTAGON UNITS**

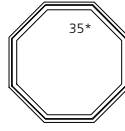
<b>M.O. BRICKMOULD</b>	23 1/4"(591)	27 1/4"(692)	33 1/4"(845)	35 1/4"(895)
<b>M.O. ADAMS/FLAT CASING</b>	26 5/16"(668)	30 5/16"(770)	36 5/16"(922)	38 5/16"(973)
<b>ROUGH OPENING</b>	20 3/4"(527)	24 3/4"(629)	30 3/4"(781)	32 3/4"(832)
<b>FRAME SIZE</b>	20"(508)	24"(610)	30"(762)	32"(813)
<b>DAYLIGHT OPENING</b>	16 7/32"(412)	20 7/32"(514)	26 7/32"(666)	28 7/32"(717)



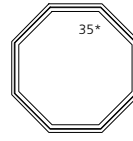
CCOCT20DS



CCOCT24DS

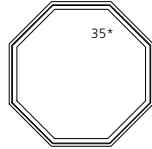


CCOCT30DS

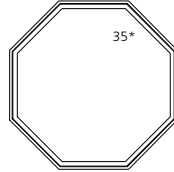


CCOCT32DS

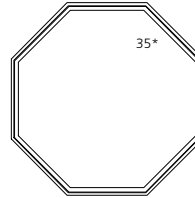
<b>M.O. BRICKMOULD</b>	39 1/4"(997)	45 1/4"(1149)	51 1/4"(1302)
<b>M.O. ADAMS/FLAT CASING</b>	42 5/16"(1074)	48 5/16"(1227)	54 5/16"(1379)
<b>ROUGH OPENING</b>	36 3/4"(933)	42 3/4"(1086)	48 3/4"(1238)
<b>FRAME SIZE</b>	36"(914)	42"(1067)	48"(1219)
<b>DAYLIGHT OPENING</b>	32 7/32"(818)	38 7/32"(971)	44 7/32"(1123)



CCOCT36DS



CCOCT42DS



CCOCT48DS

**ELEVATION SYMBOL LEGEND:**

**M.O.** = MASONRY OPENING

VALUES IN ( ) ARE IN MILLIMETER CONVERSIONS.

**##\*** NUMBER INDICATES DESIGN PRESSURE (DP) RATING WITH STANDARD GLAZING.

Note: Elevations shown DO NOT have exterior trim. Subtract 1/2" (12.7) from M.O. (Masonry Opening) for Unit Sizes. Masonry Openings above include Sill Nose, see Trim Options page for Sill Nose specifications. For other Trim Options refer to the Unit Sizing, Rough Opening & Masonry Openings page.

### CASEMENT HALF ROUND UNITS

**M.O. BRICKMOUND**  
**M.O. ADAMS/FLAT CASING**  
**ROUGH OPENING**  
**FRAME SIZE**  
**DAYLIGHT OPENING**

21 1/4" (540)  
 24 5/16" (617)  
 18 3/4" (476)  
 18" (457)  
 13 3/4" (349)

11 1/2" (292)  
 9 1/2" (241)  
 9 3/4" (248)  
 9" (229)  
 4 13/64" (107)



CC18HRDS

12 1/2" (318)  
 14" (256)  
 10 3/4" (273)  
 10" (254)  
 5 13/64" (132)



CC20HRDS

23 1/4" (591)  
 26 5/16" (668)  
 20 3/4" (527)  
 20" (508)  
 15 3/4" (400)

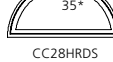
14 1/2" (368)  
 16" (406)  
 12 3/4" (324)  
 12" (305)  
 7 13/64" (183)



CC24HRDS

27 1/4" (692)  
 30 5/16" (770)  
 24 3/4" (629)  
 24" (610)  
 19 3/4" (502)

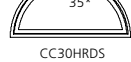
16 1/2" (419)  
 18" (457)  
 14 3/4" (375)  
 14" (356)  
 9 13/64" (233)



CC28HRDS

31 1/4" (794)  
 34 5/16" (871)  
 28 3/4" (730)  
 28" (711)  
 23 3/4" (603)

17 1/2" (445)  
 19" (483)  
 15 3/4" (400)  
 15" (381)  
 10 13/64" (259)



CC30HRDS

**M.O. BRICKMOUND**  
**M.O. ADAMS/FLAT CASING**  
**ROUGH OPENING**  
**FRAME SIZE**  
**DAYLIGHT OPENING**

35 1/4" (895)  
 38 5/16" (973)  
 32 3/4" (832)  
 32" (813)  
 27 3/4" (705)

18 1/2" (470)  
 20" (509)  
 16 3/4" (425)  
 16" (406)  
 11 13/64" (284)



CC32HRDS

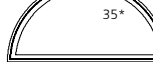
20 1/2" (521)  
 22" (559)  
 18 3/4" (476)  
 18" (457)  
 13 13/64" (335)



CC36HRDS

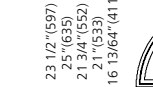
39 1/4" (997)  
 42 5/16" (1074)  
 36 3/4" (933)  
 36" (914)  
 31 3/4" (806)

22 1/2" (571)  
 24" (610)  
 20 3/4" (527)  
 20" (508)  
 15 13/64" (386)



CC40HRDS

43 1/4" (1099)  
 46 5/16" (1176)  
 40 3/4" (1035)  
 40" (1016)  
 35 3/4" (908)



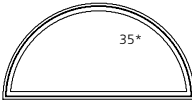
CC42HRDS

45 1/4" (1149)  
 48 5/16" (1227)  
 42 3/4" (1086)  
 42" (1067)  
 37 3/4" (959)

**M.O. BRICKMOUND**  
**M.O. ADAMS/FLAT CASING**  
**ROUGH OPENING**  
**FRAME SIZE**  
**DAYLIGHT OPENING**

51 1/4" (1302)  
 54 5/16" (1379)  
 48 3/4" (1238)  
 48" (1219)  
 43 3/4" (1111)

26 1/2" (673)  
 28" (711)  
 24 3/4" (629)  
 24" (610)  
 19 13/64" (488)



CC48HRDS

29 1/2" (749)  
 31" (787)  
 27 3/4" (705)  
 27" (686)  
 22 13/64" (564)



CC54HRDS

57 1/4" (1454)  
 60 5/16" (1532)  
 54 3/4" (1391)  
 54" (1372)  
 49 3/4" (1264)

30 1/2" (775)  
 32" (813)  
 28 3/4" (730)  
 28" (711)  
 23 13/64" (589)



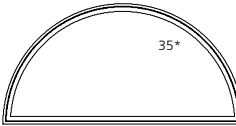
CC56HRDS

59 1/4" (1505)  
 62 5/16" (1582)  
 56 3/4" (1441)  
 56" (1422)  
 51 3/4" (1314)

**M.O. BRICKMOUND**  
**M.O. ADAMS/FLAT CASING**  
**ROUGH OPENING**  
**FRAME SIZE**  
**DAYLIGHT OPENING**

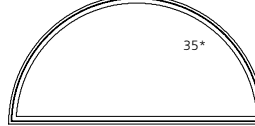
63 1/4" (1607)  
 66 5/16" (1684)  
 60 3/4" (1543)  
 60" (1524)  
 55 3/4" (1416)

32 1/2" (826)  
 34" (864)  
 30 3/4" (781)  
 30" (762)  
 25 13/64" (640)



CC60HRDS

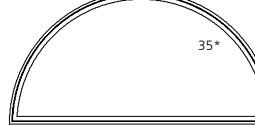
34 1/2" (876)  
 36" (914)  
 32 3/4" (832)  
 32" (813)  
 27 13/64" (691)



CC64HRDS

67 1/4" (1708)  
 70 5/16" (1786)  
 64 3/4" (1645)  
 64" (1626)  
 59 3/4" (1518)

35 1/2" (902)  
 37" (940)  
 33 3/4" (857)  
 33" (838)  
 28 13/64" (716)



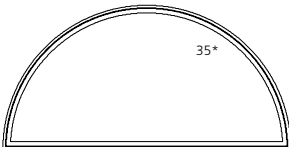
CC66HRDS

69 1/4" (1759)  
 72 5/16" (1836)  
 66 3/4" (1695)  
 66" (1676)  
 61 3/4" (1568)

**M.O. BRICKMOUND**  
**M.O. ADAMS/FLAT CASING**  
**ROUGH OPENING**  
**FRAME SIZE**  
**DAYLIGHT OPENING**

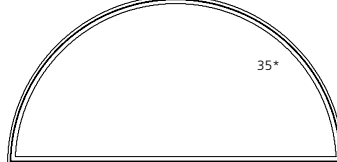
75 1/4" (1911)  
 78 5/16" (1989)  
 72 3/4" (1848)  
 72" (1829)  
 67 3/4" (1721)

38 1/2" (978)  
 40" (1016)  
 36 3/4" (933)  
 36" (914)  
 31 13/64" (792)



CC72HRDS

44 1/2" (1130)  
 46" (1168)  
 42 3/4" (1086)  
 42" (1067)  
 37 13/64" (945)



CC84HRDS

87 1/4" (2216)  
 90 5/16" (2294)  
 84 3/4" (2153)  
 84" (2134)  
 79 3/4" (2026)

**ELEVATION SYMBOL LEGEND:**

M.O. = MASONRY OPENING  
 VALUES IN ( ) ARE IN MILLIMETER CONVERSIONS.  
 ### NUMBER INDICATES DESIGN PRESSURE (DP) RATING WITH STANDARD GLAZING.

Note: Elevations shown DO NOT have exterior trim. Subtract 1/2" (12.7) from M.O. (Masonry Opening) for Unit Sizes. Masonry Openings above include Sill Nose, see Trim Options page for Sill Nose specifications. For other Trim Options refer to the Unit Sizing, Rough Opening & Masonry Openings page.

SCALE: 1/4" = 1'

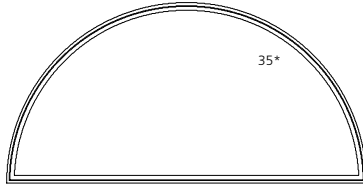
**CASEMENT HALF ROUND UNITS**

M.O. BRICKMOULD  
M.O. ADAMS/FLAT CASING  
ROUGH OPENING  
FRAME SIZE  
DAYLIGHT OPENING

93 1/4" (2369)  
96 5/16" (2446)  
90 3/4" (2305)  
90" (2218)  
85 3/4" (2178)

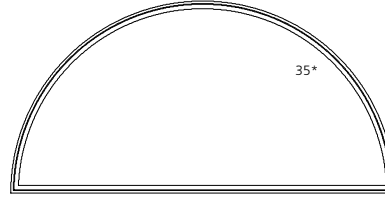
99 1/4" (2521)  
102 5/16" (2598)  
96 3/4" (2457)  
96" (2438)  
91 3/4" (2330)

47 1/2" (1207)  
49" (1245)  
45 3/4" (1162)  
45" (1143)  
40 13/64" (1021)



CC90HRDS

50 1/2" (1283)  
52" (1321)  
48 3/4" (1238)  
48" (1219)  
43 13/64" (1097)



CC96HRDS

**ELEVATION SYMBOL LEGEND:**

M.O. = MASONRY OPENING

VALUES IN () ARE IN MILLIMETER CONVERSIONS.

### NUMBER INDICATES DESIGN PRESSURE (DP) RATING WITH STANDARD GLAZING.

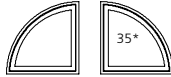
Note: Elevations shown DO NOT have exterior trim. Subtract 1/2" (12.7) from M.O. (Masonry Opening) for Unit Sizes. Masonry Openings above include Sill Nose, see Trim Options page for Sill Nose specifications. For other Trim Options refer to the Unit Sizing, Rough Opening & Masonry Openings page.

**CASEMENT QUARTER ROUND UNITS**

**M.O. BRICKMOULD**  
**M.O. ADAMS/FLAT CASING**  
**ROUGH OPENING**  
**FRAME SIZE**  
**DAYLIGHT OPENING**

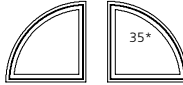
20 1/4" (523)  
23 5/16" (601)  
18 3/4" (476)  
18" (457)  
14 7/16" (367)

20 1/4" (523)  
23 5/16" (601)  
18 3/4" (476)  
18" (457)  
14 7/16" (367)



CC18QRDS

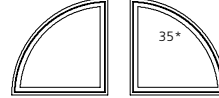
23 1/4" (591)  
26 5/16" (668)  
20 3/4" (527)  
20" (508)  
16 7/16" (418)



CC20QRDS

27 1/4" (692)  
30 5/16" (770)  
24 3/4" (629)  
24" (610)  
20 7/16" (519)

27 1/4" (692)  
30 5/16" (770)  
24 3/4" (629)  
24" (610)  
20 7/16" (519)

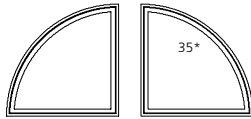


CC24QRDS

**M.O. BRICKMOULD**  
**M.O. ADAMS/FLAT CASING**  
**ROUGH OPENING**  
**FRAME SIZE**  
**DAYLIGHT OPENING**

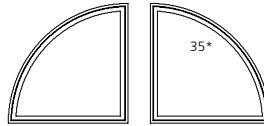
31 1/4" (794)  
34 5/16" (871)  
28 3/4" (730)  
28" (711)  
24 7/16" (672)

31 1/4" (794)  
34 5/16" (871)  
28 3/4" (730)  
28" (711)  
24 7/16" (672)



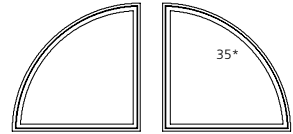
CC28QRDS

33 1/4" (845)  
36 5/16" (922)  
30 3/4" (781)  
30" (762)  
26 7/16" (672)



CC30QRDS

35 1/4" (895)  
38 5/16" (973)  
32 3/4" (832)  
32" (813)  
28 7/16" (722)

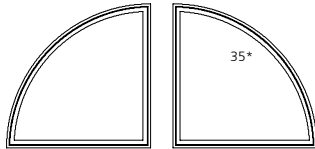


CC32QRDS

**M.O. BRICKMOULD**  
**M.O. ADAMS/FLAT CASING**  
**ROUGH OPENING**  
**FRAME SIZE**  
**DAYLIGHT OPENING**

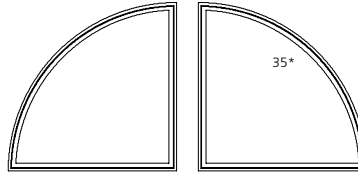
39 1/4" (997)  
42 5/16" (1074)  
36 3/4" (933)  
36" (914)  
32 7/16" (824)

39 1/4" (997)  
42 5/16" (1074)  
36 3/4" (933)  
36" (914)  
32 7/16" (824)



CC36QRDS

45 1/4" (1149)  
48 5/16" (1227)  
42 3/4" (1086)  
42" (1067)  
38 7/16" (976)

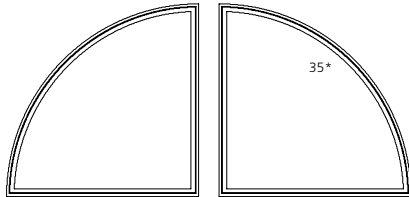


CC42QRDS

**M.O. BRICKMOULD**  
**M.O. ADAMS/FLAT CASING**  
**ROUGH OPENING**  
**FRAME SIZE**  
**DAYLIGHT OPENING**

51 1/4" (1302)  
54 5/16" (1379)  
48 3/4" (1238)  
48" (1219)  
44 7/16" (1129)

51 1/4" (1302)  
54 5/16" (1379)  
48 3/4" (1238)  
48" (1219)  
44 7/16" (1129)



CC48QRDS

**ELEVATION SYMBOL LEGEND:**

**M.O.** = MASONRY OPENING  
VALUES IN ( ) ARE IN MILLIMETER CONVERSIONS.  
##\* NUMBER INDICATES DESIGN PRESSURE (DP) RATING WITH STANDARD GLAZING.

Note: Elevations shown DO NOT have exterior trim. Subtract 1/2" (12.7) from M.O. (Masonry Opening) for Unit Sizes. Masonry Openings above include Sill Nose, see Trim Options page for Sill Nose specifications. For other Trim Options refer to the Unit Sizing, Rough Opening & Masonry Openings page.

SCALE: 1/4" = 1'

### DOUBLE-HUNG HALF ROUND UNITS

**M.O. BRICKMOULD**  
**M.O. ADAMS/FLAT CASING**  
**ROUGH OPENING**  
**FRAME SIZE**  
**DAYLIGHT OPENING**

24 5/8" (625)  
27 11/16" (703)  
22 1/8" (562)  
21 3/8" (543)  
17 5/32" (436)

28 5/8" (727)  
31 11/16" (805)  
26 1/8" (664)  
25 3/8" (645)  
21 5/32" (537)

32 5/8" (829)  
35 11/16" (906)  
30 1/8" (765)  
29 3/8" (746)  
25 5/32" (639)

36 5/8" (930)  
39 11/16" (1008)  
34 1/8" (867)  
33 3/8" (848)  
29 5/32" (741)

40 5/8" (1032)  
43 11/16" (1109)  
38 1/8" (968)  
37 3/8" (949)  
33 5/32" (842)

13 3/16" (336)  
14 11/16" (374)  
11 7/16" (290)  
10 11/16" (272)  
6 57/64" (175)



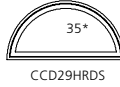
CCD21HRDS

15 3/16" (386)  
16 11/16" (424)  
13 7/16" (341)  
12 11/16" (322)  
8 57/64" (226)



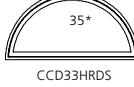
CCD25HRDS

17 3/16" (437)  
18 11/16" (475)  
15 7/16" (392)  
14 11/16" (373)  
10 57/64" (277)



CCD29HRDS

19 3/16" (487)  
20 11/16" (525)  
17 7/16" (442)  
16 11/16" (424)  
12 57/64" (327)



CCD33HRDS

21 3/16" (538)  
22 11/16" (576)  
19 7/16" (494)  
18 11/16" (475)  
14 57/64" (378)



CCD37HRDS

**M.O. BRICKMOULD**  
**M.O. ADAMS/FLAT CASING**  
**ROUGH OPENING**  
**FRAME SIZE**  
**DAYLIGHT OPENING**

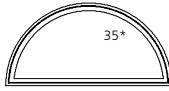
44 5/8" (1133)  
47 11/16" (1211)  
42 1/8" (1064)  
41 3/8" (1051)  
37 5/32" (944)

48 5/8" (1235)  
51 11/16" (1313)  
46 1/8" (1165)  
45 3/8" (1153)  
41 5/32" (1045)

46" (1168)  
49 1/16" (1246)  
43 1/2" (1105)  
42 3/4" (1086)  
38 49/64" (985)

54" (1372)  
57 1/16" (1449)  
51 1/2" (1308)  
50 3/4" (1289)  
46 49/64" (1188)

23 3/16" (589)  
24 11/16" (627)  
21 7/16" (544)  
20 11/16" (525)  
16 57/64" (429)



CCD41HRDS

25 3/16" (640)  
26 11/16" (678)  
23 7/16" (595)  
22 11/16" (576)  
18 57/64" (480)



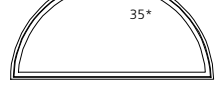
CCD45HRDS

23 7/8" (606)  
25 3/8" (645)  
22 1/8" (562)  
21 3/8" (543)  
17 37/64" (446)



CCD21-2HRDS

27 7/8" (708)  
29 3/8" (746)  
26 1/8" (664)  
25 3/8" (645)  
21 37/64" (548)



CCD25-2HRDS

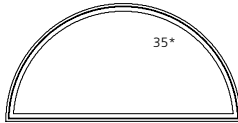
**M.O. BRICKMOULD**  
**M.O. ADAMS/FLAT CASING**  
**ROUGH OPENING**  
**FRAME SIZE**  
**DAYLIGHT OPENING**

62" (1575)  
65 1/16" (1652)  
59 1/2" (1511)  
58 3/4" (1492)  
54 49/64" (1391)

70" (1778)  
73 1/16" (1855)  
67 1/2" (1715)  
66 3/4" (1695)  
62 49/64" (1594)

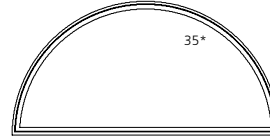
78" (1981)  
81 1/16" (2059)  
75 1/2" (1918)  
74 3/4" (1899)  
70 49/64" (1797)

31 7/8" (810)  
33 3/8" (848)  
30 1/8" (765)  
29 3/8" (746)  
25 37/64" (650)



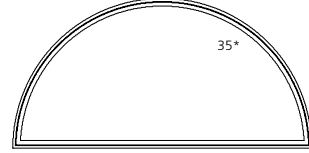
CCD29-2HRDS

35 7/8" (911)  
37 3/8" (949)  
34 1/8" (866)  
33 3/8" (848)  
29 37/64" (751)



CCD33-2HRDS

40 5/8" (1032)  
43 11/16" (1109)  
38 1/8" (968)  
37 3/8" (949)  
33 37/64" (853)



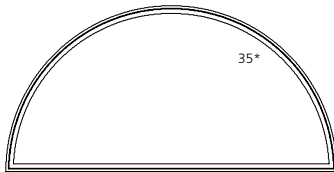
CCD37-2HRDS

**M.O. BRICKMOULD**  
**M.O. ADAMS/FLAT CASING**  
**ROUGH OPENING**  
**FRAME SIZE**  
**DAYLIGHT OPENING**

86" (2184)  
89 1/16" (2262)  
83 1/2" (2121)  
82 3/4" (2102)  
78 49/64" (2001)

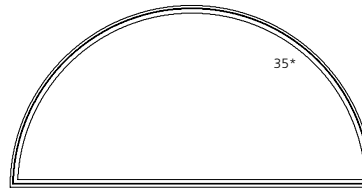
94" (2388)  
97 1/16" (2465)  
91 1/2" (2324)  
90 3/4" (2305)  
86 49/64" (2204)

43 7/8" (1114)  
45 3/8" (1153)  
42 1/8" (1070)  
41 3/8" (1051)  
37 37/64" (954)



CCD41-2HRDS

47 7/8" (1216)  
49 3/8" (1254)  
46 1/8" (1171)  
45 3/8" (1153)  
41 37/64" (1056)



CCD45-2HRDS

**ELEVATION SYMBOL LEGEND:**

**M.O.** = MASONRY OPENING

VALUES IN ( ) ARE IN MILLIMETER CONVERSIONS.

**###** NUMBER INDICATES DESIGN PRESSURE (DP) RATING WITH STANDARD GLAZING.

Note: Elevations shown DO NOT have exterior trim. Subtract 1/2" (12.7) from M.O. (Masonry Opening) for Unit Sizes. Masonry Openings above include Sill Nose, see Trim Options page for Sill Nose specifications. For other Trim Options refer to the Unit Sizing, Rough Opening & Masonry Openings page.

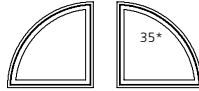
SCALE: 1/4" = 1'

**DOUBLE-HUNG QUARTER ROUND UNITS**

**M.O. BRICKMOUND**  
**M.O. ADAMS/FLAT CASING**  
**ROUGH OPENING**  
**FRAME SIZE**  
**DAYLIGHT OPENING**

24 5/8" (625)  
27 11/16" (703)  
22 1/8" (562)  
21 3/8" (543)  
17 1/2" (445)

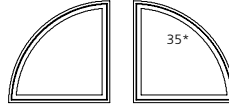
23 7/8" (606)  
25 3/8" (645)  
22 1/8" (562)  
21 3/8" (543)  
17 1/2" (445)



CCD21QRDS

28 5/8" (727)  
31 11/16" (805)  
26 1/8" (664)  
25 3/8" (645)  
21 33/64" (547)

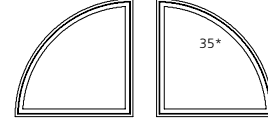
27 7/8" (708)  
29 3/8" (746)  
26 1/8" (664)  
25 3/8" (645)  
21 33/64" (547)



CCD25QRDS

32 5/8" (829)  
35 11/16" (906)  
30 1/8" (765)  
29 3/8" (746)  
25 17/32" (648)

31 7/8" (810)  
33 3/8" (848)  
30 1/8" (765)  
29 3/8" (746)  
25 17/32" (648)

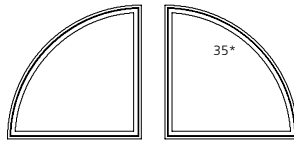


CCD29QRDS

**M.O. BRICKMOUND**  
**M.O. ADAMS/FLAT CASING**  
**ROUGH OPENING**  
**FRAME SIZE**  
**DAYLIGHT OPENING**

36 5/8" (930)  
39 11/16" (1008)  
34 1/8" (867)  
33 3/8" (848)  
29 35/64" (751)

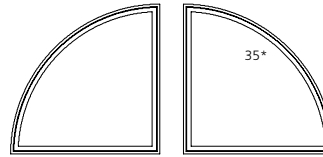
35 7/8" (911)  
37 3/8" (949)  
34 1/8" (867)  
33 3/8" (848)  
29 35/64" (751)



CCD33QRDS

40 5/8" (1032)  
43 11/16" (1109)  
38 1/8" (968)  
37 3/8" (949)  
33 35/64" (852)

39 7/8" (1013)  
41 3/8" (1051)  
38 1/8" (968)  
37 3/8" (949)  
33 35/64" (852)

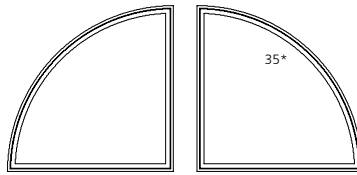


CCD37QRDS

**M.O. BRICKMOUND**  
**M.O. ADAMS/FLAT CASING**  
**ROUGH OPENING**  
**FRAME SIZE**  
**DAYLIGHT OPENING**

44 5/8" (1133)  
47 11/16" (1211)  
42 1/8" (1070)  
41 3/8" (1051)  
41 35/64" (954)

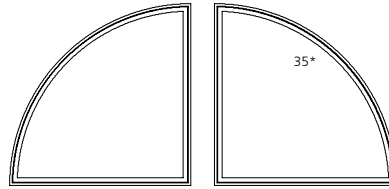
43 7/8" (1114)  
45 3/8" (1153)  
42 1/8" (1070)  
41 3/8" (1051)  
41 35/64" (954)



CCD41QRDS

48 5/8" (1235)  
51 11/16" (1313)  
46 1/8" (1172)  
45 3/8" (1153)  
41 35/64" (1055)

47 7/8" (1216)  
49 3/8" (1254)  
46 1/8" (1172)  
45 3/8" (1153)  
41 35/64" (1055)



CCD45QRDS

**ELEVATION SYMBOL LEGEND:**

**M.O.** = MASONRY OPENING  
VALUES IN ( ) ARE IN MILLIMETER CONVERSIONS.  
###\* NUMBER INDICATES DESIGN PRESSURE (DP) RATING WITH STANDARD GLAZING.

Note: Elevations shown DO NOT have exterior trim. Subtract 1/2" (12.7) from M.O. (Masonry Opening) for Unit Sizes. Masonry Openings above include Sill Nose, see Trim Options page for Sill Nose specifications. For other Trim Options refer to the Unit Sizing, Rough Opening & Masonry Openings page.

SCALE: 1/4" = 1'

### IN-SWING PATIO DOOR HALF ROUND UNITS

**M.O. BRICKMOULD**  
**M.O. ADAMS/FLAT CASING**  
**ROUGH OPENING**  
**FRAME SIZE**  
**DAYLIGHT OPENING**

26 11/16" (678)  
29 3/4" (755)  
24 3/16" (614)  
23 7/16" (595)  
19 17/64" (489)

32 11/16" (830)  
35 3/4" (908)  
30 3/16" (767)  
29 7/16" (748)  
25 23/64" (644)

34 11/16" (881)  
37 3/4" (959)  
32 3/16" (818)  
31 7/16" (799)  
27 3/8" (695)

38 11/16" (983)  
41 3/4" (1060)  
36 3/16" (919)  
35 7/16" (900)  
31 13/32" (789)

49 7/8" (1267)  
52 15/16" (1344)  
47 3/8" (1203)  
46 5/8" (1184)  
42 21/32" (1083)

14 1/4" (361)  
15 3/4" (399)  
12 1/2" (318)  
11 3/4" (298)  
7 59/64" (201)



CCIPD20HRDS

17 1/4" (437)  
18 3/4" (475)  
15 1/2" (394)  
14 3/4" (374)  
10 59/64" (277)



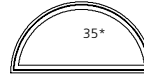
CCIPD26HRDS

18 1/4" (463)  
19 3/4" (501)  
16 1/2" (419)  
15 3/4" (399)  
11 59/64" (303)



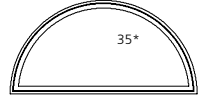
CCIPD28HRDS

20 1/4" (514)  
21 3/4" (552)  
18 1/2" (470)  
17 5/8" (450)  
13 59/64" (354)



CCIPD30HRDS

25 13/16" (656)  
27 5/16" (694)  
24 1/16" (611)  
23 5/16" (592)  
19 33/64" (496)



CCIPD40HRDS

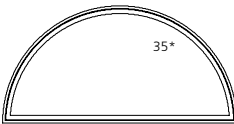
**M.O. BRICKMOULD**  
**M.O. ADAMS/FLAT CASING**  
**ROUGH OPENING**  
**FRAME SIZE**  
**DAYLIGHT OPENING**

61 7/8" (1572)  
64 15/16" (1649)  
59 3/8" (1508)  
58 5/8" (1489)  
54 11/16" (1389)

65 7/8" (1673)  
68 15/16" (1751)  
63 3/8" (1610)  
62 5/8" (1591)  
58 45/64" (1491)

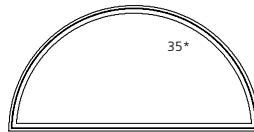
73 7/8" (1876)  
76 15/16" (1954)  
71 3/8" (1813)  
70 5/8" (1794)  
66 23/32" (1695)

31 13/16" (808)  
33 5/16" (846)  
30 1/16" (764)  
29 5/16" (745)  
25 33/64" (648)



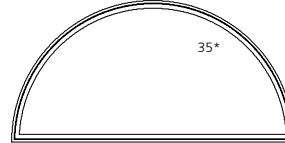
CCIPD50HRDS

33 13/16" (859)  
35 5/16" (897)  
32 1/16" (814)  
31 5/16" (795)  
27 33/64" (699)



CCIPD54HRDS

37 13/16" (960)  
39 5/16" (999)  
36 1/16" (916)  
35 5/16" (897)  
31 33/64" (800)



CCIPD60HRDS

**M.O. BRICKMOULD**  
**M.O. ADAMS/FLAT CASING**  
**ROUGH OPENING**  
**FRAME SIZE**  
**DAYLIGHT OPENING**

28 11/16" (729)  
31 3/4" (806)  
26 3/16" (665)  
25 7/16" (646)  
21 19/64" (541)

36 11/16" (932)  
39 3/4" (1009)  
34 3/16" (868)  
33 7/16" (849)  
29 25/64" (747)

40 11/16" (1033)  
43 3/4" (1111)  
38 3/16" (970)  
37 7/16" (951)  
33 27/64" (849)

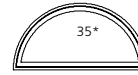
46 11/16" (1186)  
49 3/4" (1263)  
44 3/16" (1122)  
43 7/16" (1103)  
39 29/64" (1002)

15 1/4" (387)  
16 3/4" (425)  
13 1/2" (343)  
12 3/4" (323)  
8 59/64" (227)



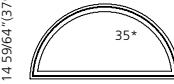
CCIPD20HRDS

19 1/4" (488)  
20 3/4" (526)  
17 1/2" (445)  
16 3/4" (425)  
12 59/64" (328)



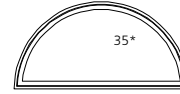
CCIPD28HRDS

21 1/4" (539)  
22 3/4" (577)  
19 1/2" (495)  
18 3/4" (475)  
14 59/64" (379)



CCIPD30HRDS

24 1/4" (615)  
25 3/4" (653)  
22 1/2" (572)  
2 3/4" (535)  
17 59/64" (455)



CCIPD36HRDS

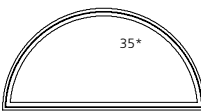
**M.O. BRICKMOULD**  
**M.O. ADAMS/FLAT CASING**  
**ROUGH OPENING**  
**FRAME SIZE**  
**DAYLIGHT OPENING**

53 7/8" (1368)  
56 15/16" (1446)  
51 3/8" (1305)  
50 5/8" (1286)  
46 43/64" (1185)

69 7/8" (1775)  
72 1/2" (1852)  
67 3/8" (1711)  
66 5/8" (1692)  
62 45/64" (1592)

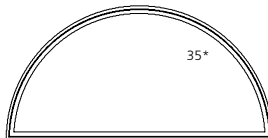
77 7/8" (1978)  
80 1/2" (2055)  
75 3/8" (1915)  
74 5/8" (1895)  
70 23/32" (1796)

27 13/16" (706)  
29 5/16" (745)  
26 1/16" (663)  
25 5/16" (643)  
21 33/64" (546)



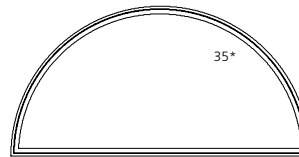
CCIPD40HRDS

35 13/16" (910)  
37 5/16" (948)  
34 1/16" (865)  
33 5/16" (846)  
29 33/64" (750)



CCIPD54HRDS

39 13/16" (1011)  
41 5/16" (1049)  
38 1/16" (967)  
37 5/16" (948)  
33 33/64" (851)

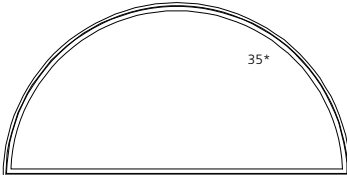


CCIPD60HRDS

**M.O. BRICKMOULD**  
**M.O. ADAMS/FLAT CASING**  
**ROUGH OPENING**  
**FRAME SIZE**  
**DAYLIGHT OPENING**

89 7/8" (2283)  
92 1/2" (2360)  
87 3/8" (2219)  
86 5/8" (2200)  
82 47/64" (2102)

45 13/16" (1164)  
47 5/16" (1202)  
44 1/16" (1119)  
43 5/16" (1100)  
39 33/64" (1004)



CCIPD70HRDS

**ELEVATION SYMBOL LEGEND:**

**M.O.** = MASONRY OPENING  
VALUES IN ( ) ARE IN MILLIMETER CONVERSIONS.  
##\* NUMBER INDICATES DESIGN PRESSURE (DP) RATING WITH STANDARD GLAZING.

Note: Elevations shown DO NOT have exterior trim. Subtract 1/2" (12.7) from M.O. (Masonry Opening) for Unit Sizes. Masonry Openings above include Sill Nose, see Trim Options page for Sill Nose specifications. For other Trim Options refer to the Unit Sizing, Rough Opening & Masonry Openings page.

SCALE: 1/4" = 1'

**OUT-SWING PATIO DOOR HALF ROUND UNITS**

**M.O. BRICKMOULD**  
**M.O. ADAMS/FLAT CASING**  
**ROUGH OPENING**  
**FRAME SIZE**  
**DAYLIGHT OPENING**

50 7/16" (1281)  
53 1/2" (1359)  
47 15/16" (1218)  
47 3/16" (1199)  
43 7/32" (1117)

62 7/16" (1586)  
65 1/2" (1663)  
59 15/16" (1522)  
59 3/16" (1503)  
55 1/4" (1403)

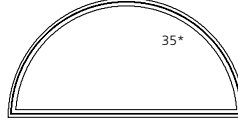
66 7/16" (1688)  
69 1/2" (1765)  
63 15/16" (1624)  
63 3/16" (1605)  
59 1/4" (1505)

26 1/2" (673)  
27" (686)  
24 3/8" (619)  
23 5/8" (600)  
20 13/64" (513)



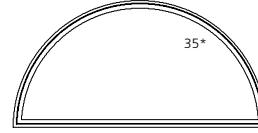
CCOPD40HRDS

32 7/8" (834)  
35 7/8" (912)  
30 3/8" (772)  
29 5/8" (752)  
25 51/64" (656)



CCOPD50HRDS

34 1/8" (866)  
35 5/8" (904)  
32 3/8" (822)  
31 5/8" (803)  
27 51/64" (707)

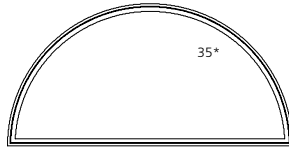


CCOPD54HRDS

**M.O. BRICKMOULD**  
**M.O. ADAMS/FLAT CASING**  
**ROUGH OPENING**  
**FRAME SIZE**  
**DAYLIGHT OPENING**

74 7/16" (1891)  
77 1/2" (1968)  
71 15/16" (1827)  
71 3/16" (1808)  
67 1/4" (1708)

38 1/8" (968)  
39 5/8" (1006)  
36 3/8" (924)  
35 5/8" (905)  
31 51/64" (808)



CCOPD60HRDS

**M.O. BRICKMOULD**  
**M.O. ADAMS/FLAT CASING**  
**ROUGH OPENING**  
**FRAME SIZE**  
**DAYLIGHT OPENING**

29 1/4" (743)  
32 5/16" (820)  
26 3/4" (679)  
26" (660)  
21 7/8" (556)

37 1/4" (946)  
40 5/16" (1024)  
34 3/4" (883)  
34" (864)  
29 7/8" (759)

41 1/4" (1048)  
44 5/16" (1125)  
38 3/4" (984)  
38" (965)  
33 7/8" (860)

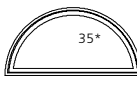
47 1/4" (1200)  
50 5/16" (1278)  
44 3/4" (1137)  
44" (1118)  
39 7/8" (1013)

15 1/2" (394)  
17" (432)  
13 3/4" (349)  
13" (330)  
9 13/64" (234)



CCOPDT20HRDS

19 1/2" (495)  
21" (533)  
17 3/4" (451)  
17" (432)  
13 13/64" (335)



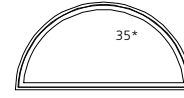
CCOPDT28HRDS

21 1/2" (546)  
23" (584)  
19 3/4" (502)  
19" (483)  
15 13/64" (386)



CCOPDT30HRDS

24 1/2" (622)  
26" (660)  
22 3/4" (578)  
22" (559)  
18 13/64" (462)



CCOPDT36HRDS

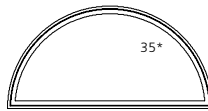
**M.O. BRICKMOULD**  
**M.O. ADAMS/FLAT CASING**  
**ROUGH OPENING**  
**FRAME SIZE**  
**DAYLIGHT OPENING**

54 7/16" (1383)  
57 1/2" (1460)  
51 15/16" (1319)  
51 3/16" (1300)  
47 15/64" (1200)

70 7/16" (1789)  
73 1/2" (1867)  
67 15/16" (1726)  
67 3/16" (1707)  
63 15/64" (1606)

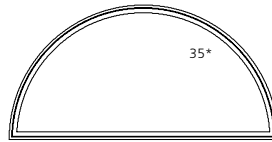
78 7/16" (1992)  
81 1/2" (2070)  
75 15/16" (1929)  
75 3/16" (1910)  
71 15/64" (1809)

28 1/2" (724)  
29" (737)  
26 3/8" (670)  
25 5/8" (651)  
21 51/64" (554)



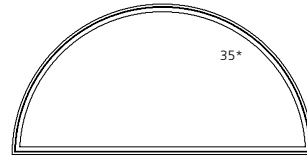
CCOPDT40HRDS

36 1/16" (917)  
37 9/16" (955)  
34 3/8" (873)  
33 5/8" (854)  
29 51/64" (757)



CCOPDT54HRDS

40 1/16" (1018)  
41 9/16" (1056)  
38 3/8" (975)  
37 5/8" (956)  
33 51/64" (858)

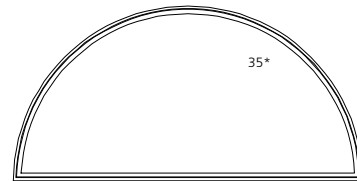


CCOPDT60HRDS

**M.O. BRICKMOULD**  
**M.O. ADAMS/FLAT CASING**  
**ROUGH OPENING**  
**FRAME SIZE**  
**DAYLIGHT OPENING**

90 7/16" (2297)  
93 1/2" (2375)  
87 15/16" (2234)  
87 3/16" (2215)  
83 15/64" (2114)

46 1/16" (1171)  
47 9/16" (1209)  
44 3/8" (1127)  
43 5/8" (1108)  
39 51/64" (1011)



CCOPDT70HRDS

**ELEVATION SYMBOL LEGEND:**

**M.O.** = MASONRY OPENING  
VALUES IN ( ) ARE IN MILLIMETER CONVERSIONS.  
### NUMBER INDICATES DESIGN PRESSURE (DP) RATING WITH STANDARD GLAZING.

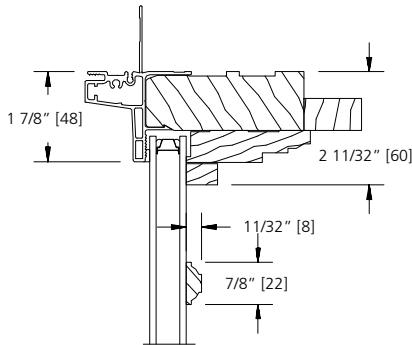
Note: Elevations shown DO NOT have exterior trim. Subtract 1/2" (12.7) from M.O. (Masonry Opening) for Unit Sizes. Masonry Openings above include Sill Nose, see Trim Options page for Sill Nose specifications. For other Trim Options refer to the Unit Sizing, Rough Opening & Masonry Openings page.

SCALE: 1/4" = 1'

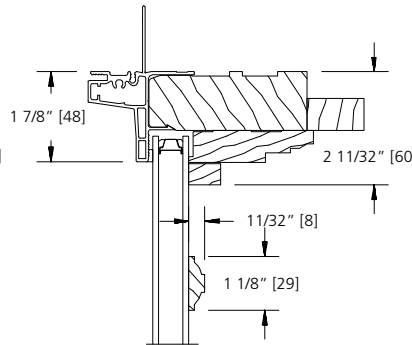


**GLAZING OPTIONS**

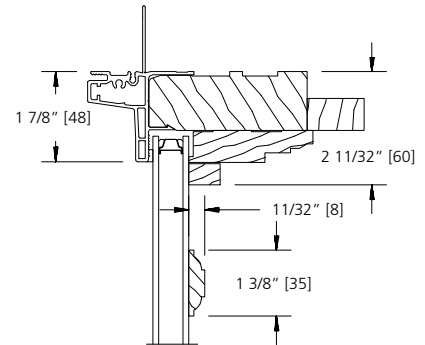
INTERIOR GLAZED  
INSULATED 3/4" [19] GLASS



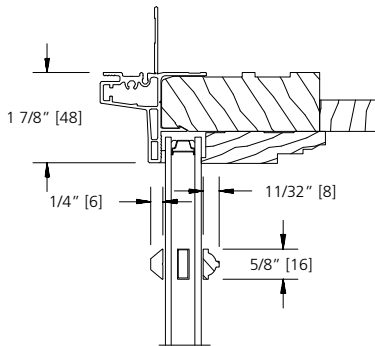
**7/8" GRILLE BAR**



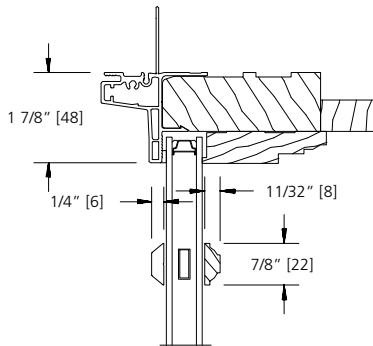
**1 1/8" GRILLE BAR**



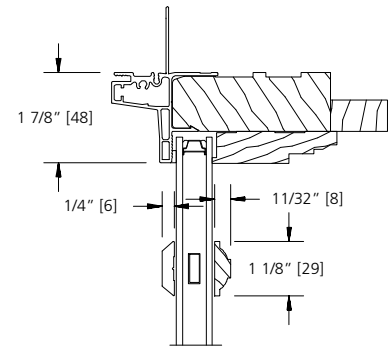
**1 3/8" GRILLE BAR**



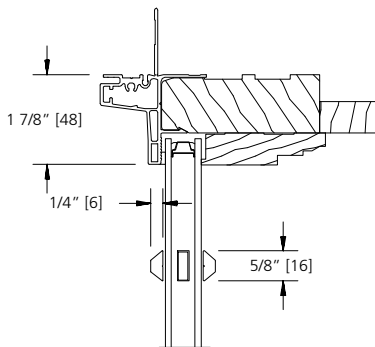
**5/8" SDL BAR  
(PUTTY/BEAD)**



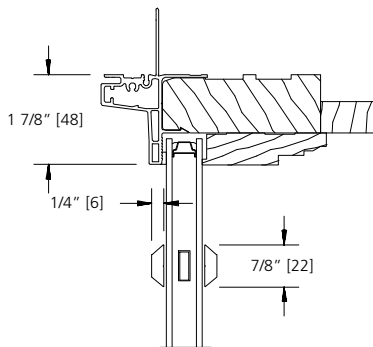
**7/8" SDL BAR  
(PUTTY/BEAD)**



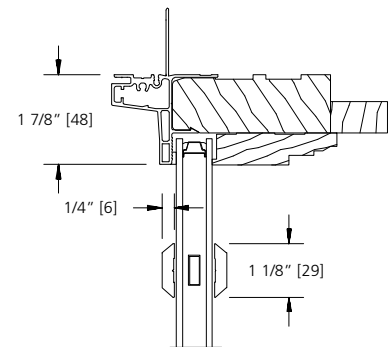
**1 1/8" SDL BAR  
(PUTTY/BEAD)**



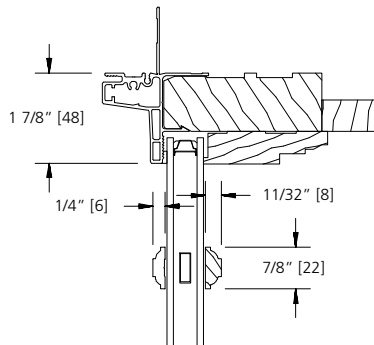
**5/8" SDL BAR  
(PUTTY/PUTTY)**



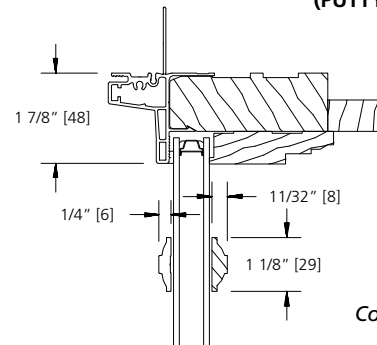
**7/8" SDL BAR  
(PUTTY/PUTTY)**



**1 1/8" SDL BAR  
(PUTTY/PUTTY)**



**7/8" SDL BAR  
(BEAD STOP)**



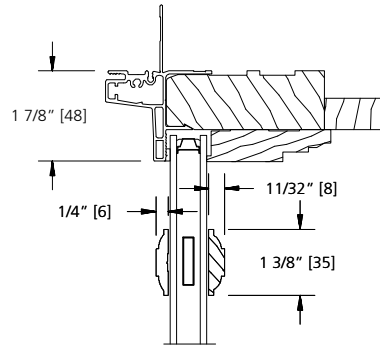
**1 1/8" SDL BAR  
(BEAD STOP)**

Continued on next page

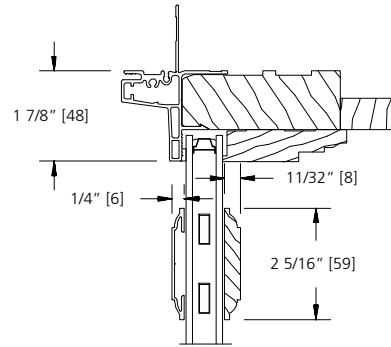
SCALE: 3" = 1'

**GLAZING OPTIONS**

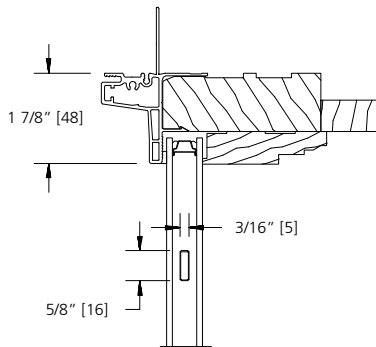
**INTERIOR GLAZED**  
INSULATED 3/4" [19] GLASS



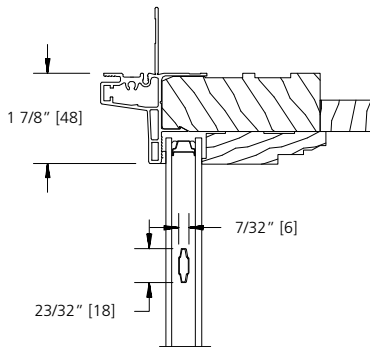
**1 3/8" SDL BAR  
(BEAD STOP)**



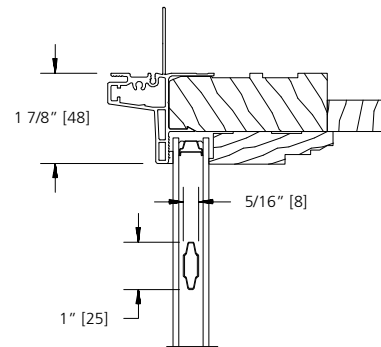
**2 5/16" SDL BAR  
(BEAD STOP)**



**5/8" FLAT  
GBG**



**23/32" CONTOUR  
GBG**

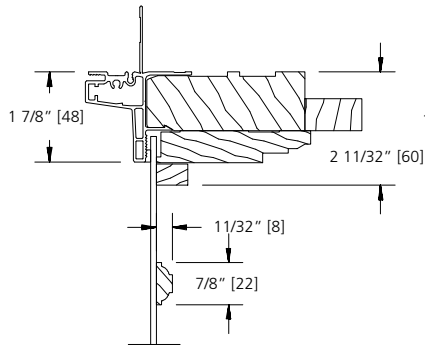


**1" CONTOUR  
GBG**

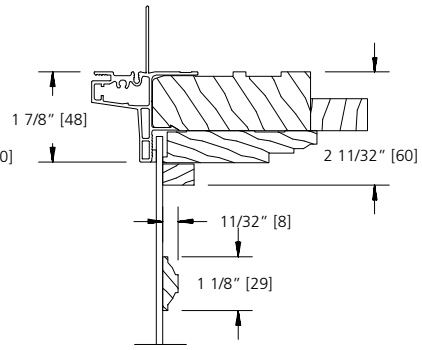
SCALE: 3" = 1'

**GLAZING OPTIONS**

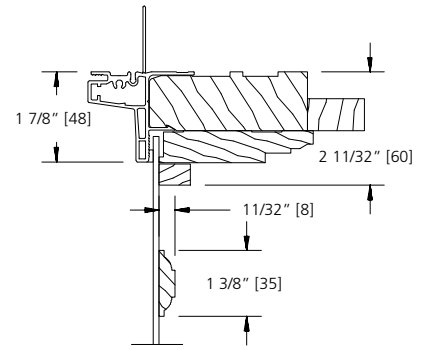
**INTERIOR GLAZED**  
SINGLE GLAZED 1/8" [3] GLASS



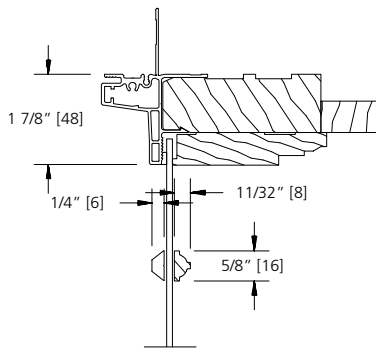
**7/8" GRILLE BAR**



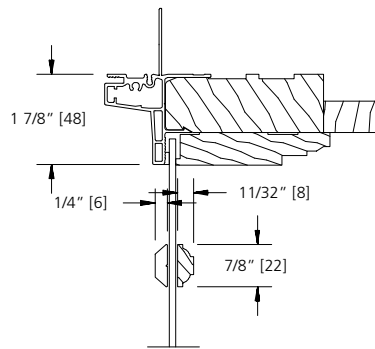
**1 1/8" GRILLE BAR**



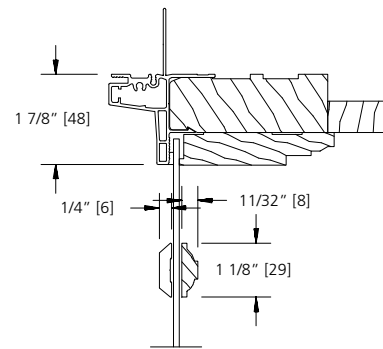
**1 3/8" GRILLE BAR**



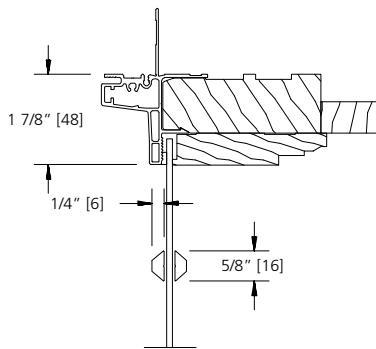
**5/8" SDL BAR  
(PUTTY/BEAD)**



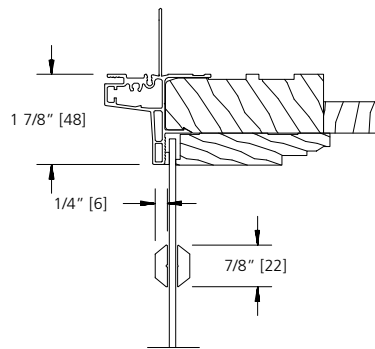
**7/8" SDL BAR  
(PUTTY/BEAD)**



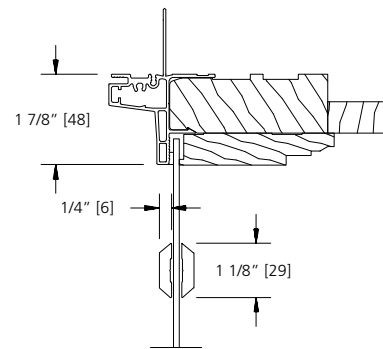
**1 1/8" SDL BAR  
(PUTTY/BEAD)**



**5/8" SDL BAR  
(PUTTY/PUTTY)**



**7/8" SDL BAR  
(PUTTY/PUTTY)**



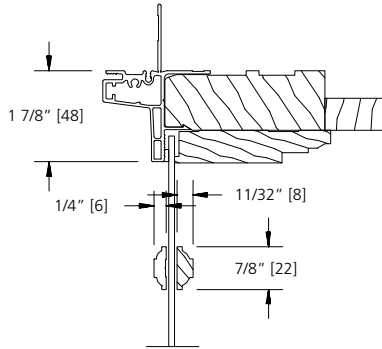
**1 1/8" SDL BAR  
(PUTTY/PUTTY)**

*Continued on next page*

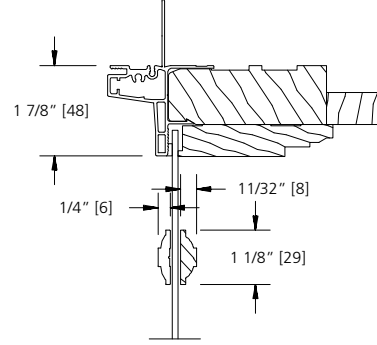
SCALE: 3" = 1'

**GLAZING OPTIONS**

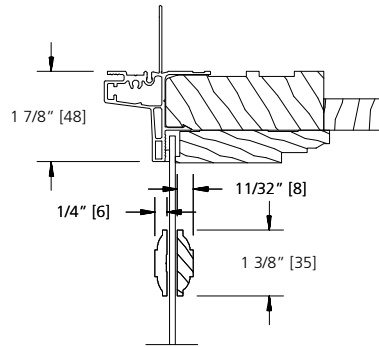
**INTERIOR GLAZED**  
SINGLE GLAZED 1/8" [3] GLASS



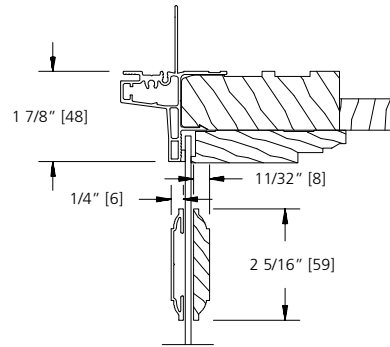
**7/8" SDL BAR  
(BEAD STOP)**



**1 1/8" SDL BAR  
(BEAD STOP)**



**1 3/8" SDL BAR  
(BEAD STOP)**

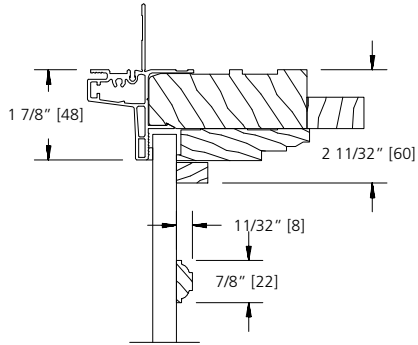


**2 5/16" SDL BAR  
(BEAD STOP)**

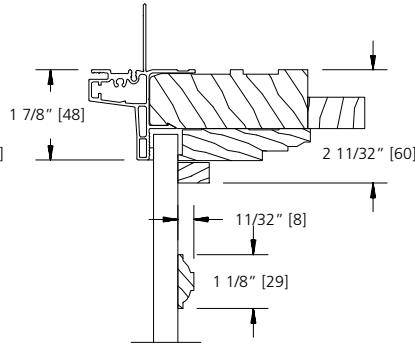
SCALE: 3" = 1'

**GLAZING OPTIONS**

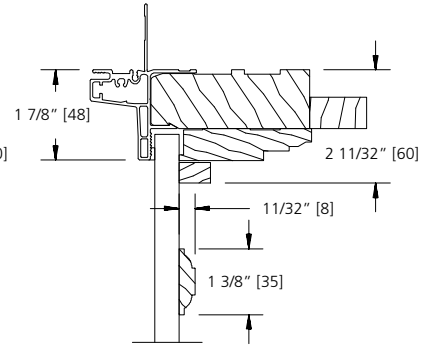
**INTERIOR GLAZED**  
IMPACT RESISTANT GLASS



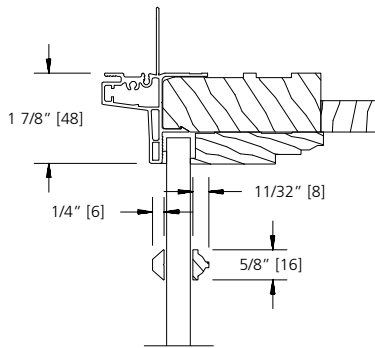
**7/8" GRILLE BAR**



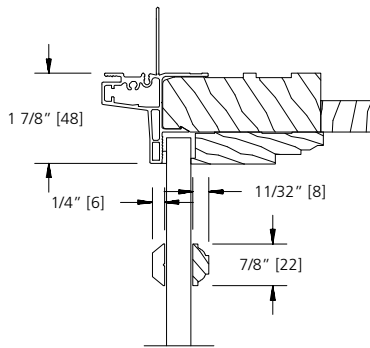
**1 1/8" GRILLE BAR**



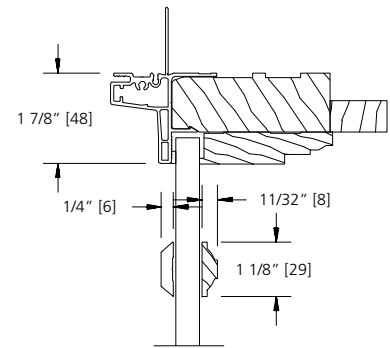
**1 3/8" GRILLE BAR**



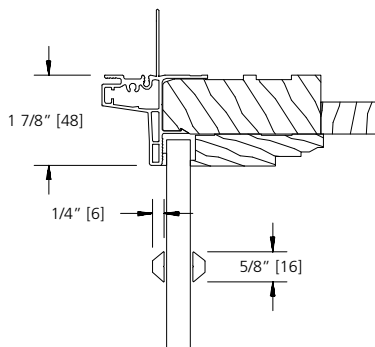
**5/8" SDL BAR**  
**(PUTTY/BEAD)**



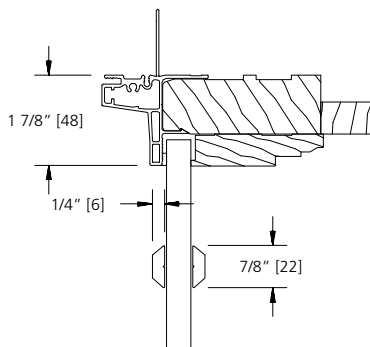
**7/8" SDL BAR**  
**(PUTTY/BEAD)**



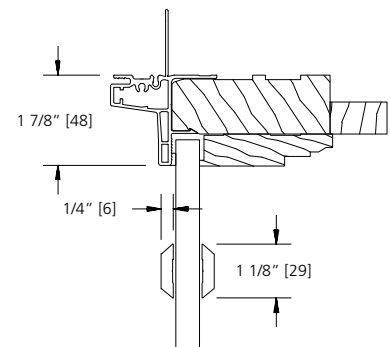
**1 1/8" SDL BAR**  
**(PUTTY/BEAD)**



**5/8" SDL BAR**  
**(PUTTY/BEAD)**



**7/8" SDL BAR**  
**(PUTTY/BEAD)**



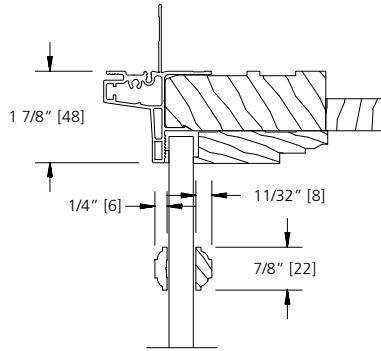
**1 1/8" SDL BAR**  
**(PUTTY/BEAD)**

*Continued on next page*

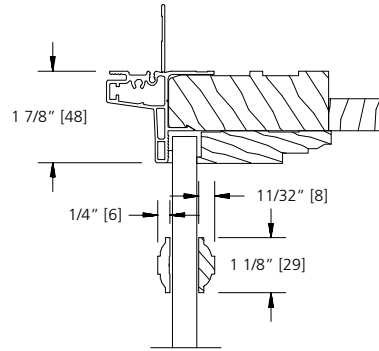
SCALE: 3" = 1'

**GLAZING OPTIONS**

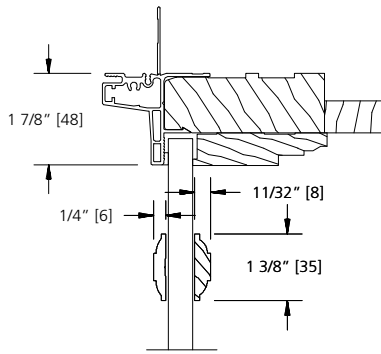
**INTERIOR GLAZED**  
IMPACT RESISTANT GLASS



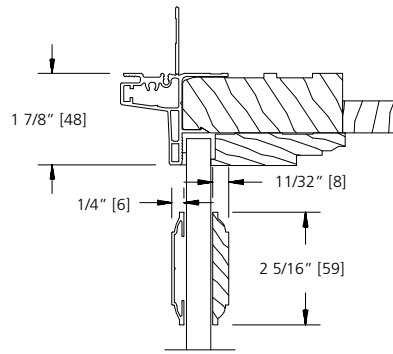
**7/8" SDL BAR  
(BEAD STOP)**



**1 1/8" SDL BAR  
(BEAD STOP)**



**1 3/8" SDL BAR  
(BEAD STOP)**



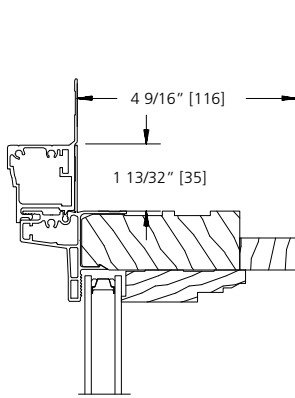
**2 5/16" SDL BAR  
(BEAD STOP)**

SCALE: 3" = 1'

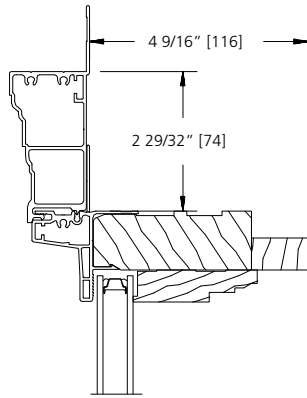
**TRIM OPTIONS**

FOLDING NAILING FLANGE  
WILL BE USED ON SIDE  
JAMBS AND SILL FOR ALL  
TRIM TYPES.

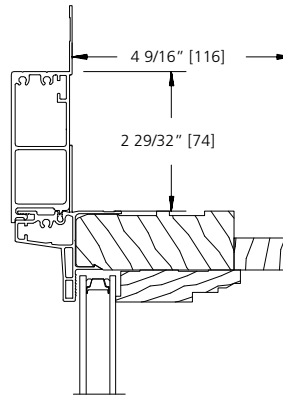
**STRAIGHTLINE EXTERIOR TRIM**



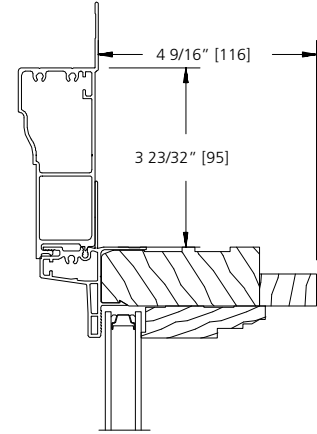
**BRICKMOULD**



**3 1/2"  
FLAT CASING**

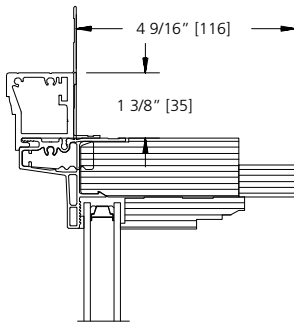


**ADAMS  
CASING**

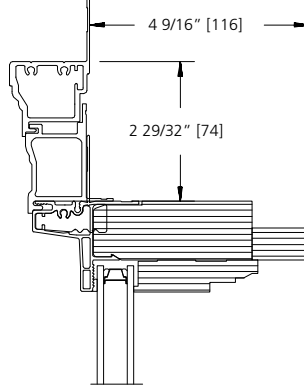


**HERITAGE  
CASING**

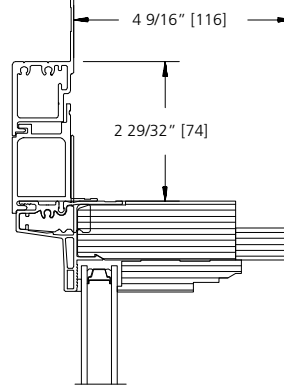
**RADIUS EXTERIOR TRIM**



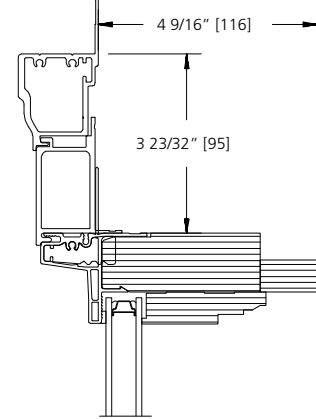
**RADIUS  
BRICKMOULD**



**RADIUS  
3 1/2"  
FLAT CASING**



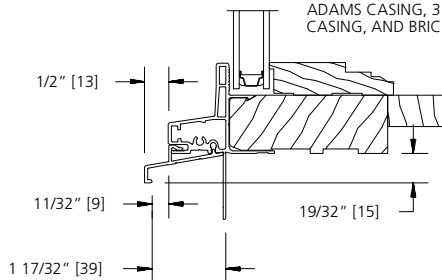
**RADIUS  
ADAMS  
CASING**



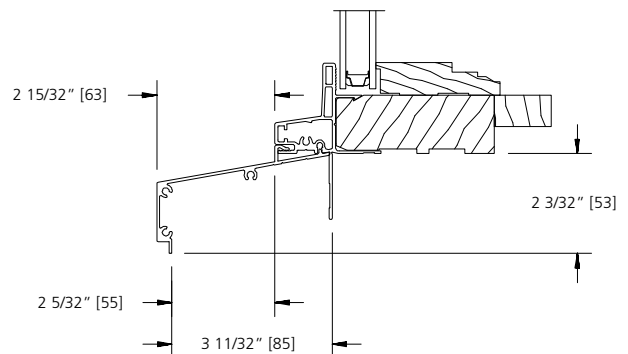
**RADIUS  
HERITAGE  
CASING**

**SILL NOSE**

SILL NOSE CAN BE USED WITH  
ADAMS CASING, 3 1/2" FLAT  
CASING, AND BRICKMOULD.



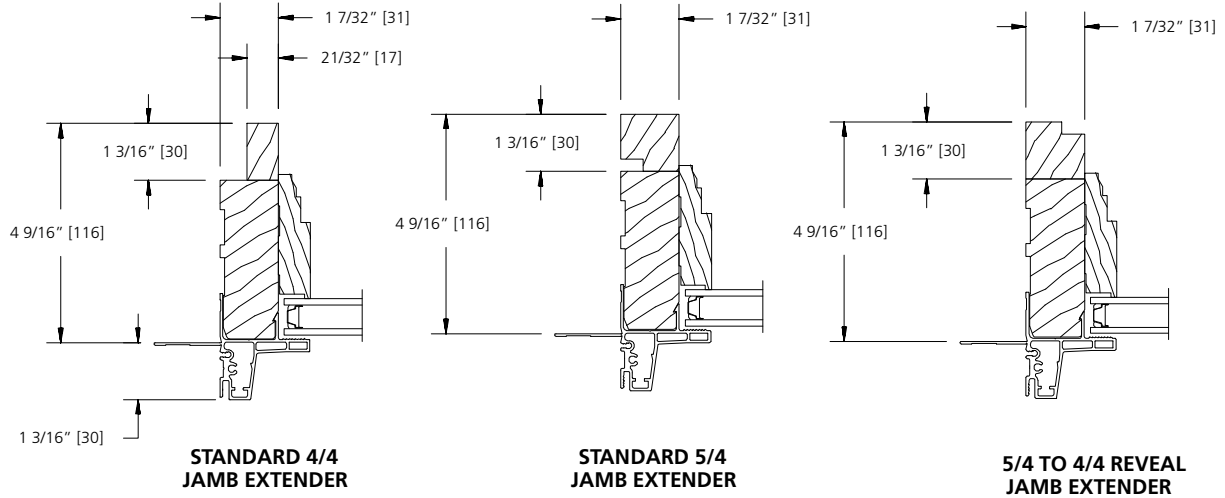
**EXTENDED SILL NOSE**



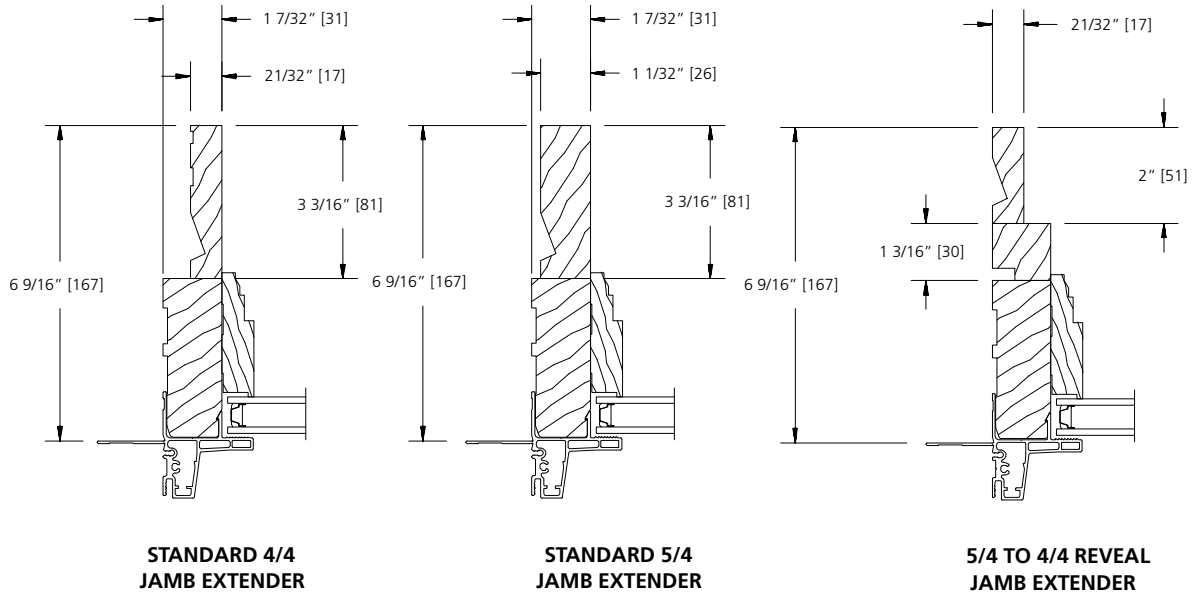
SCALE: 3" = 1'

**JAMB EXTENDER OPTIONS**

**4 9/16" WALL**



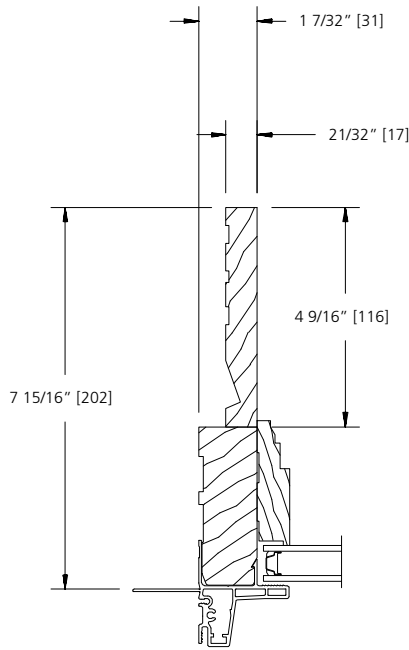
**6 9/16" WALL**



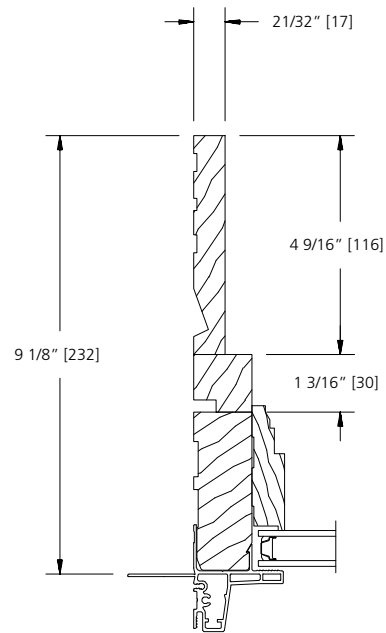
SCALE: 3" = 1'



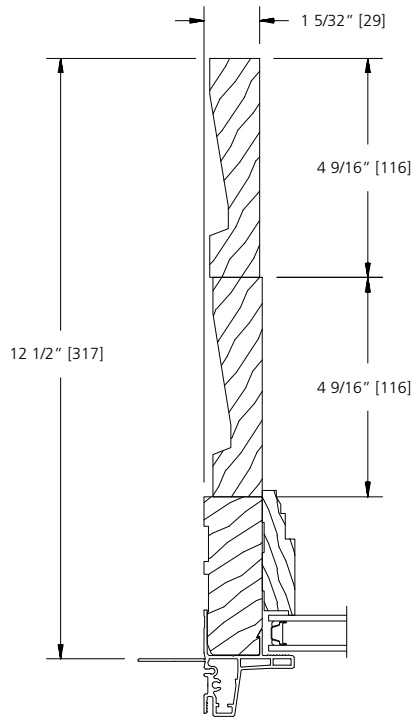
**MAXIMUM JAMB WIDTHS**



**STANDARD 4/4  
JAMB EXTENDER**



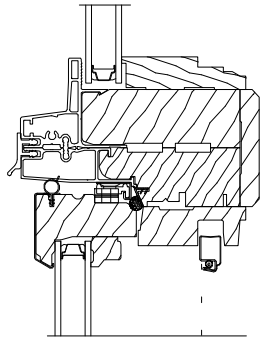
**5/4 TO 4/4 REVEAL  
JAMB EXTENDER**



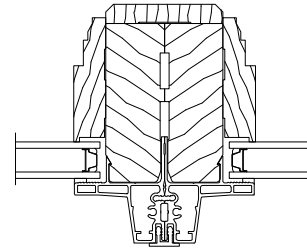
**STANDARD 5/4  
JAMB EXTENDER**

SCALE: 3" = 1'

**MULLION DETAILS  
WITH CUSTOM CASEMENT**

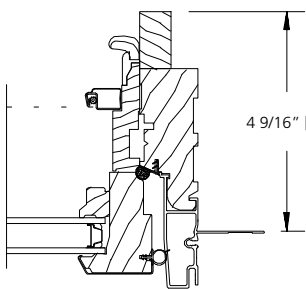


**HORIZONTAL MULLION  
AT DIRECT-SET GEOMETRIC  
WITH CUSTOM CASEMENT  
4 9/16" & 6 9/16" JAMB**

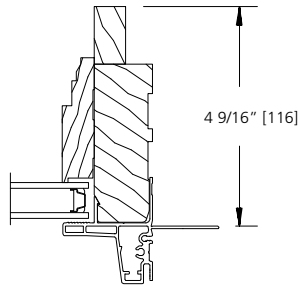


**VERTICAL MULLION  
AT DIRECT-SET GEOMETRIC  
4 9/16" & 6 9/16" JAMB**

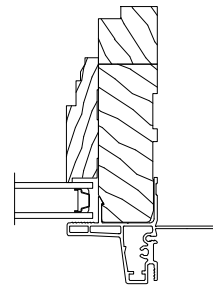
**4 9/16" JAMB**



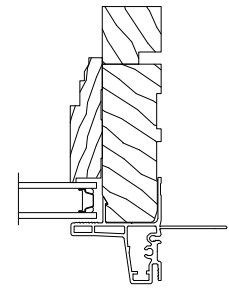
**VERTICAL  
AT CUSTOM CASEMENT  
4/4 JAMB EXTENDER OPTION**



**VERTICAL  
AT DIRECT-SET GEOMETRIC  
4/4 JAMB EXTENDER OPTION**

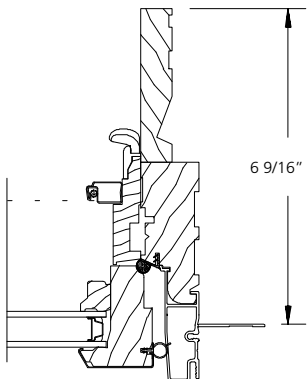


**5/4 TO 4/4 REVEAL  
JAMB EXTENDER OPTION**

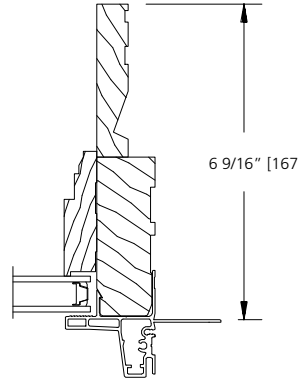


**5/4 JAMB EXTENDER OPTION**

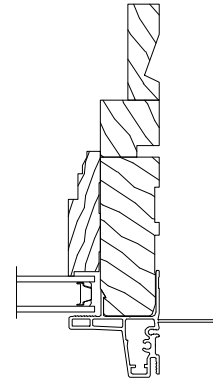
**6 9/16" JAMB**



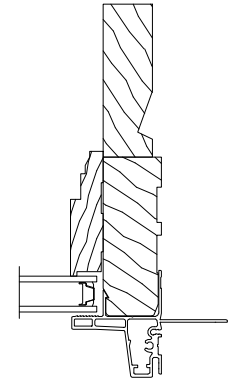
**VERTICAL  
AT CUSTOM CASEMENT  
4/4 JAMB EXTENDER OPTION**



**VERTICAL  
AT DIRECT-SET GEOMETRIC  
4/4 JAMB EXTENDER OPTION**



**5/4 TO 4/4 REVEAL  
JAMB EXTENDER OPTION**

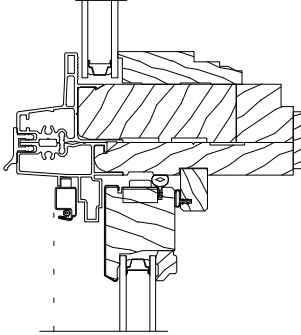


**5/4 JAMB EXTENDER OPTION**

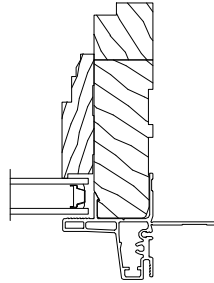
SCALE: 3" = 1'

**MULLION DETAILS  
WITH CUSTOM DOUBLE-HUNG**

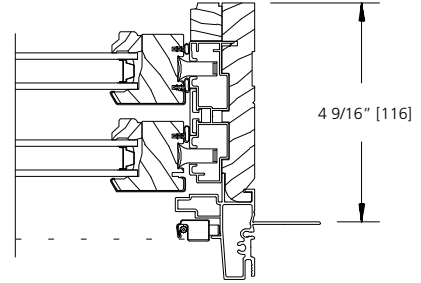
4 9/16" JAMB



**DIRECT-SET GEOMETRIC  
CUSTOM DOUBLE-HUNG  
HORIZONTAL MULLION**

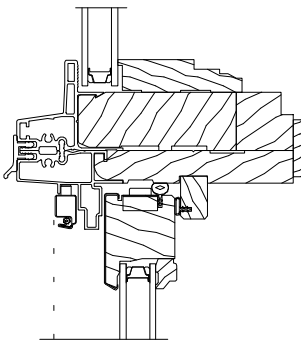


**VERTICAL  
AT DIRECT-SET GEOMETRIC**

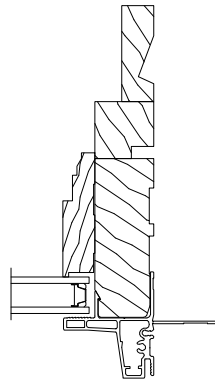


**VERTICAL  
AT CUSTOM DOUBLE-HUNG**

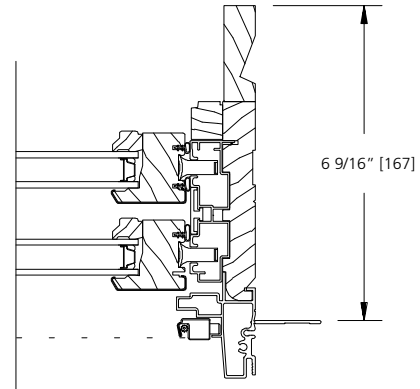
6 9/16" JAMB



**DIRECT-SET GEOMETRIC  
CUSTOM DOUBLE-HUNG  
HORIZONTAL MULLION**



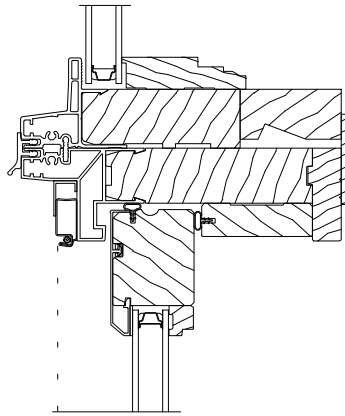
**VERTICAL  
AT DIRECT-SET GEOMETRIC**



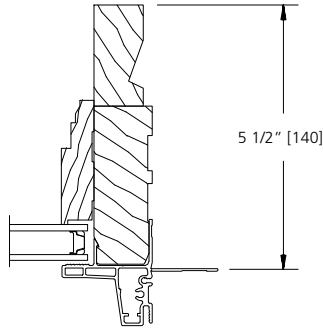
**VERTICAL  
AT CUSTOM DOUBLE-HUNG**

SCALE: 3" = 1'

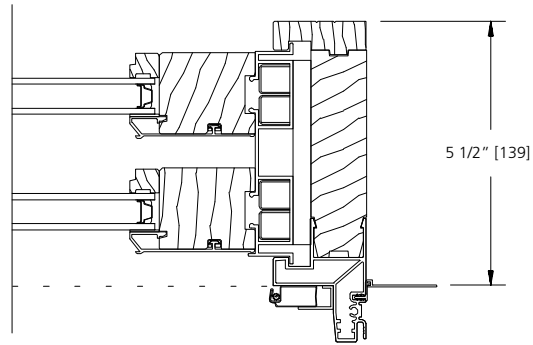
**MULLION DETAILS  
WITH CUSTOM EPIC DOUBLE-HUNG**



**DIRECT-SET GEOMETRIC  
EPIC DOUBLE-HUNG  
HORIZONTAL MULLION**



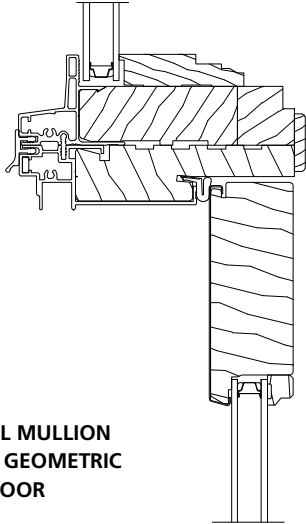
**VERTICAL  
AT DIRECT-SET GEOMETRIC**



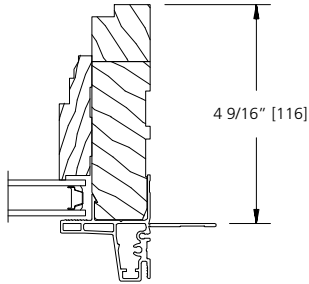
**VERTICAL  
AT EPIC DOUBLE-HUNG**

**MULLION DETAILS  
WITH CUSTOM IN-SWING DOOR**

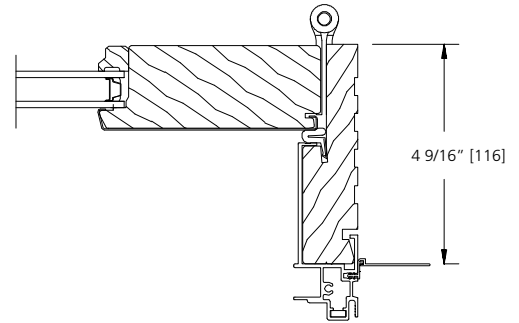
4 9/16" JAMB



**HORIZONTAL MULLION  
DIRECT-SET GEOMETRIC  
IN-SWING DOOR**

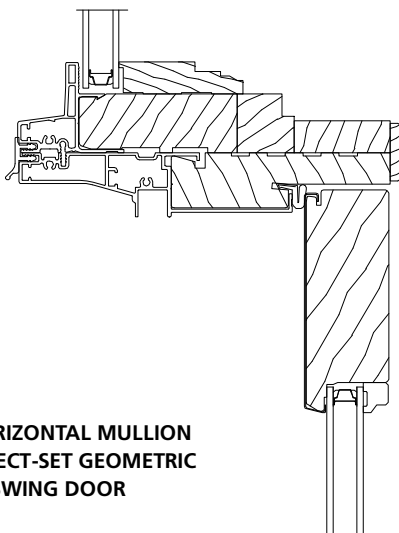


**VERTICAL  
AT DIRECT-SET GEOMETRIC**

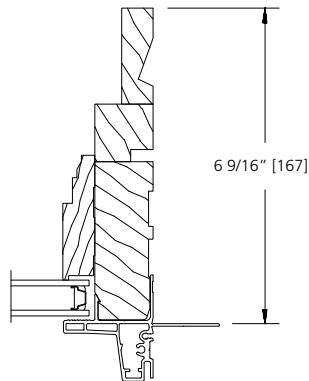


**VERTICAL  
AT IN-SWING DOOR**

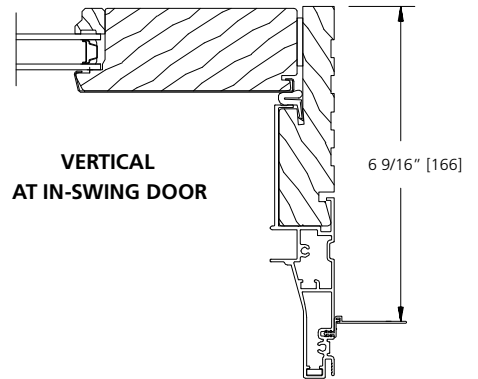
6 9/16" JAMB



**HORIZONTAL MULLION  
DIRECT-SET GEOMETRIC  
IN-SWING DOOR**



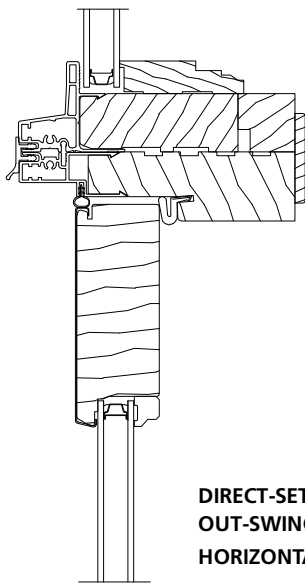
**VERTICAL  
AT DIRECT-SET GEOMETRIC**



**VERTICAL  
AT IN-SWING DOOR**

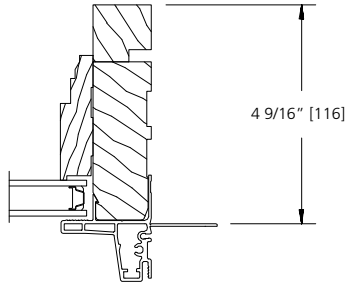
SCALE: 3" = 1'

**MULLION DETAILS  
WITH CUSTOM OUT-SWING DOOR**

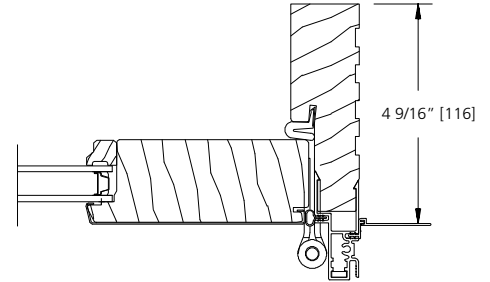


**DIRECT-SET GEOMETRIC  
OUT-SWING DOOR  
HORIZONTAL MULLION**

**4 9/16" JAMB**

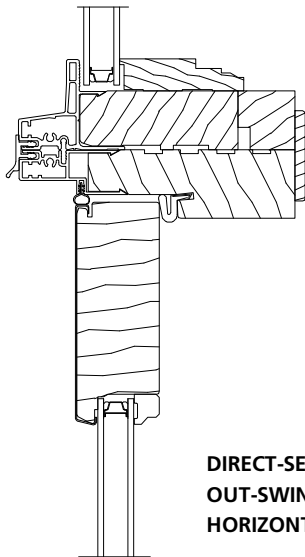


**VERTICAL  
AT DIRECT-SET GEOMETRIC**

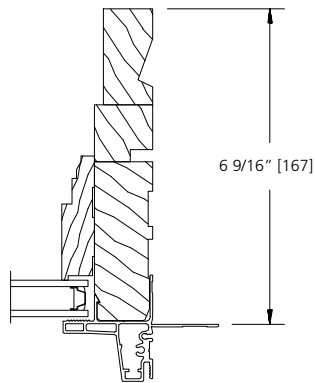


**VERTICAL  
AT OUT-SWING DOOR**

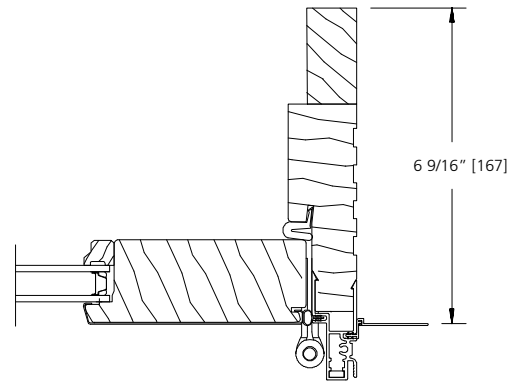
**6 9/16" JAMB**



**DIRECT-SET GEOMETRIC  
OUT-SWING DOOR  
HORIZONTAL MULLION**



**VERTICAL  
AT DIRECT-SET GEOMETRIC**



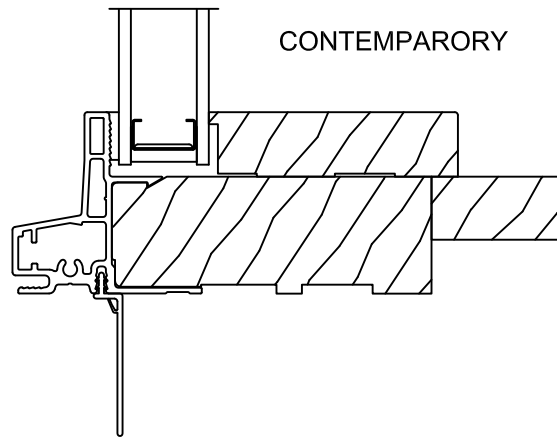
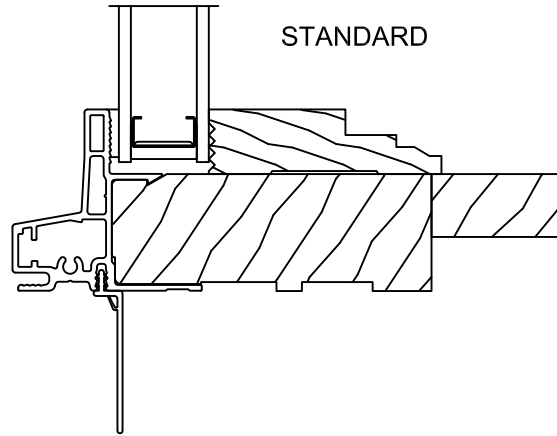
**VERTICAL  
AT OUT-SWING DOOR**

SCALE: 3" = 1'

---

CUSTOM DIRECT SET  
STOP OPTIONS

---

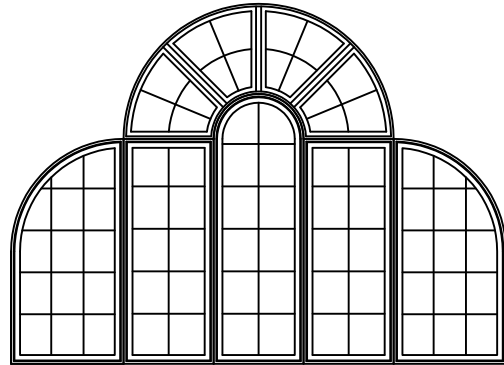


LITE CUT INFORMATION

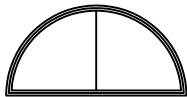
Clad direct set geometric windows are available with removable grilles in 7/8", 1-1/8" and 1-3/8" widths, GBG (Grilles between the glass) and Simulated Divided Lites. Standard lite cuts are rectangular.

**BAR ALIGNMENT**

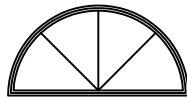
Alignment of divided lite muntin bars from one window to the next is often required by fine architectural design. Wood grilles, GBG (Grilles between the Glass), and Simulated Divided Lites may be specified with muntin bars aligned.



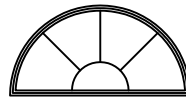
HALF ROUND BREAKUP PATTERNS



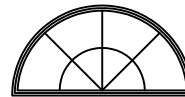
200 SERIES



400 SERIES



500 SERIES



800 SERIES



1200 SERIES

QUARTER ROUND BREAKUP PATTERNS



200 SERIES

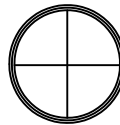


400 SERIES

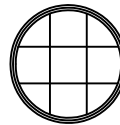


600 SERIES

FULL ROUND BREAKUP PATTERNS

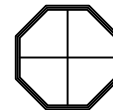


400 SERIES

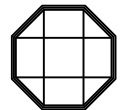


900 SERIES

OCTAGON BREAKUP PATTERNS



400 SERIES



900 SERIES



LITE CUT INFORMATION

**INVERTED RADIUS SILL NOTE:**

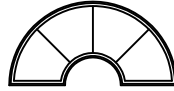
Windows with inverted radius sills have continuous head and sill configurations. The twin, triple and quad units utilize a mullion post as part of a single unit. Single lines represent grille and thermal bar lite break ups. Twin, triple and quad units are single units with mullion posts being represented by several lines.

INVERTED HALF ROUND BREAKUP PATTERNS

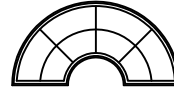
INVERTED HALF ROUND SILL



200 SERIES  
RADIUS HUB



400 SERIES

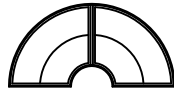


800 SERIES

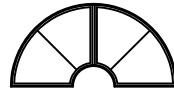


1200 SERIES

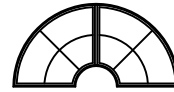
INVERTED HALF ROUND SILL - TWIN



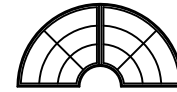
200 SERIES  
RADIUS HUB



200 SERIES



400 SERIES



600 SERIES

INVERTED HALF ROUND SILL - TRIPLE



200 SERIES  
RADIUS HUB



200 SERIES



400 SERIES



600 SERIES

INVERTED HALF ROUND SILL - QUAD



200 SERIES  
RADIUS HUB



200 SERIES



400 SERIES



600 SERIES

INVERTED QUARTER ROUND BREAKUP PATTERNS

INVERTED QUARTER ROUND SILL



200 SERIES  
RADIUS HUB



200 SERIES



400 SERIES

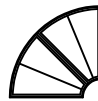


600 SERIES

INVERTED QUARTER ROUND SILL - TWIN



200 SERIES  
RADIUS HUB



200 SERIES



400 SERIES



600 SERIES

INVERTED QUARTER ROUND SILL - TRIPLE



200 SERIES  
RADIUS HUB



200 SERIES



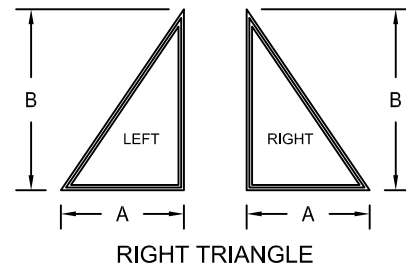
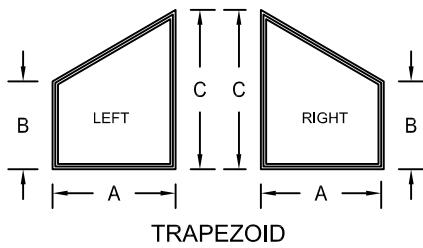
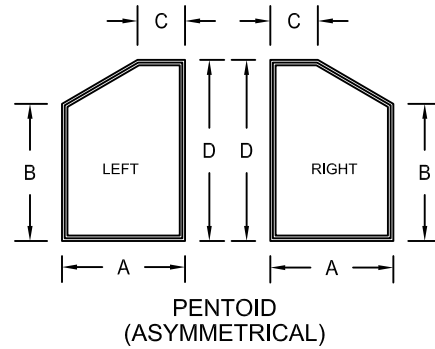
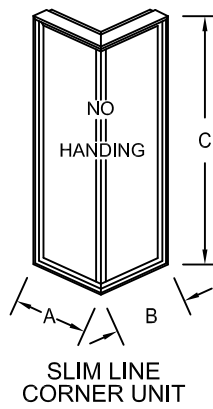
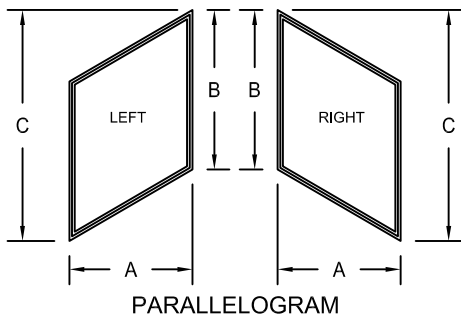
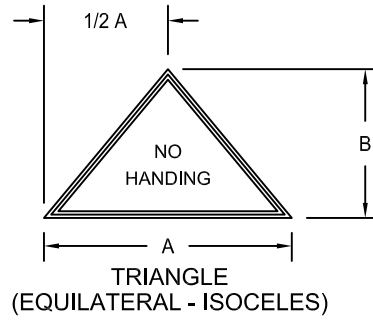
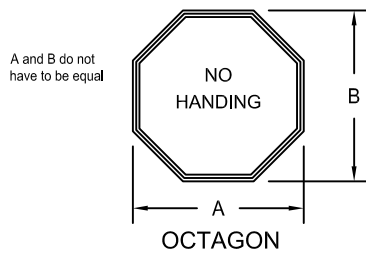
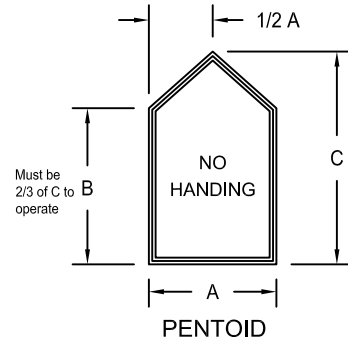
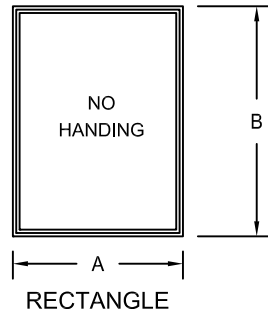
400 SERIES



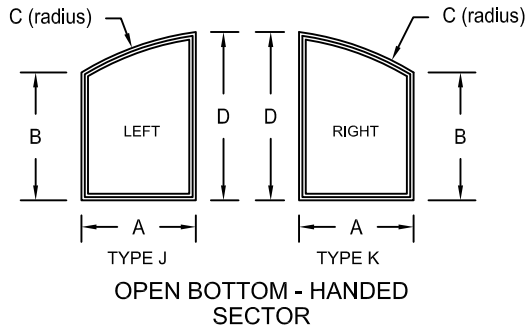
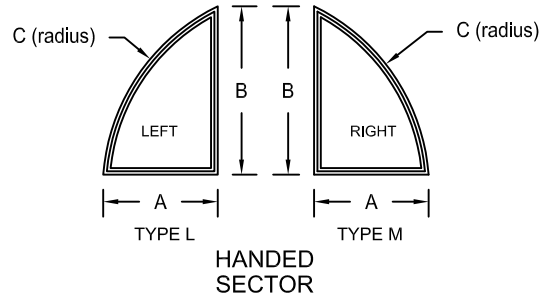
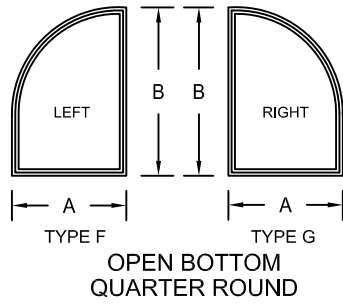
600 SERIES

STRAIGHT LINE SHAPES

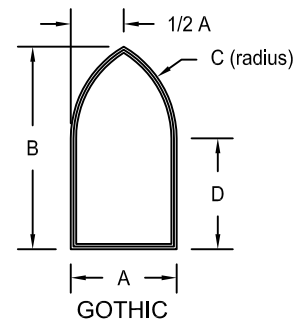
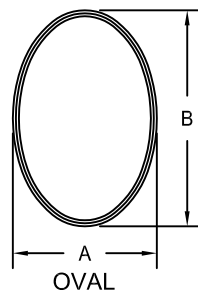
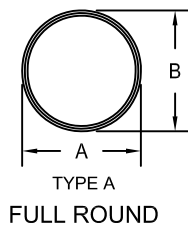
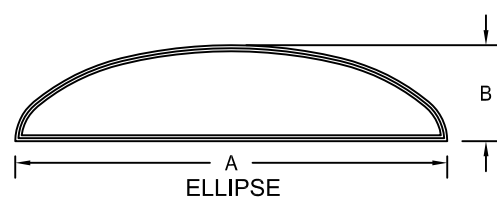
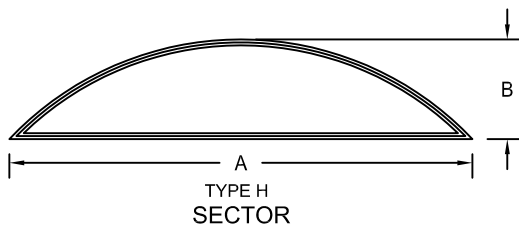
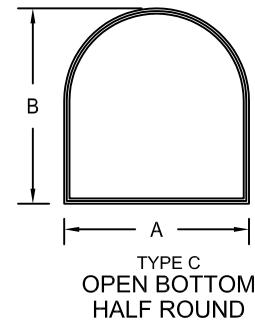
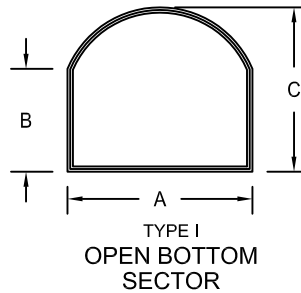
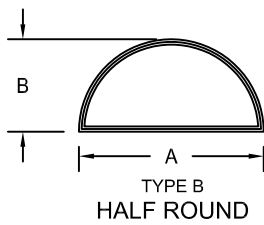
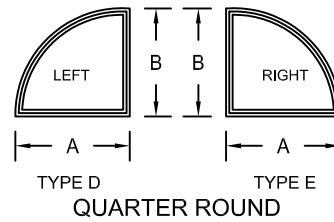
ALL GEOMETRIC WINDOW SHAPES ARE VIEWED FROM THE EXTERIOR.



RADIUS SHAPES

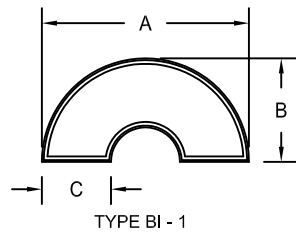


ALL GEOMETRIC WINDOW SHAPES ARE VIEWED FROM THE EXTERIOR.

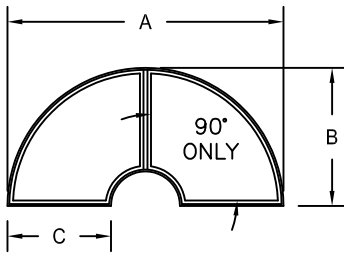


**RADIUS SHAPES**

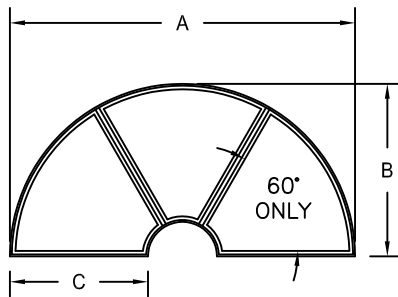
ALL GEOMETRIC WINDOW SHAPES ARE VIEWED FROM THE EXTERIOR.



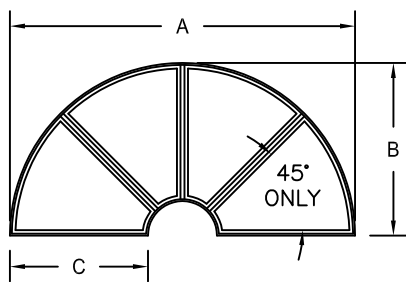
TYPE BI - 1  
INVERTED HALF ROUND



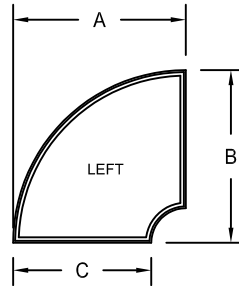
TYPE BI - 2  
INVERTED HALF ROUND - TWIN



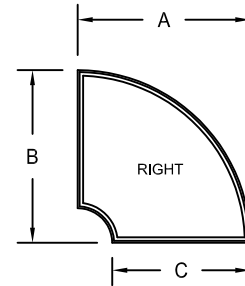
TYPE BI - 3  
INVERTED HALF ROUND - TRIPLE



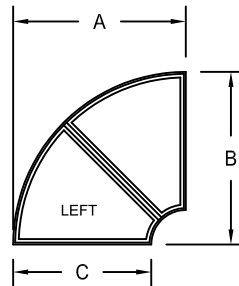
TYPE BI - 4  
INVERTED HALF ROUND - QUAD



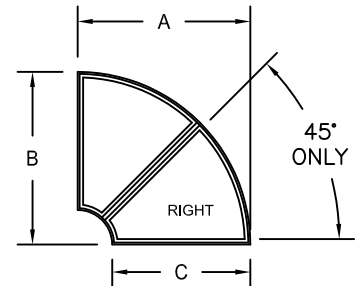
TYPE DI - 1  
INVERTED QUARTER ROUND



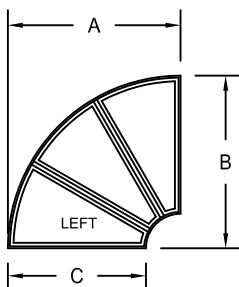
TYPE EI - 1



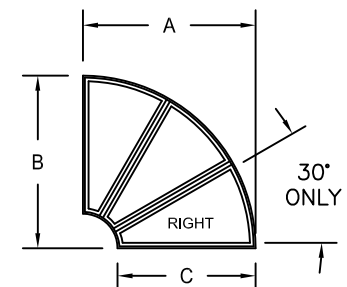
TYPE DI - 2  
INVERTED QUARTER ROUND - TWIN



TYPE EI - 2



TYPE DI - 3  
INVERTED QUARTER ROUND - TRIPLE



TYPE EI - 3

**INVERTED HALF ROUND AND QUARTER ROUND UNITS**

INVERTED HALF ROUND AND QUARTER ROUND UNITS HAVE CONTINUOUS HEAD AND SILL CONFIGURATIONS WHICH UTILIZE MULLION POSTS FROM FRAME TO FRAME. SEE PAGE 9 (SECTION DETAILS & DIMENSIONS) FOR MULLION POST SPECIFICATIONS. THE MULLION POSTS ARE POSITIONED RADIALLY FROM THE CENTER POINT OF THE SILL RADIUS.

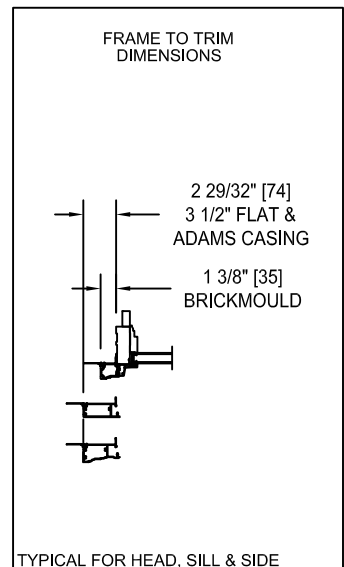
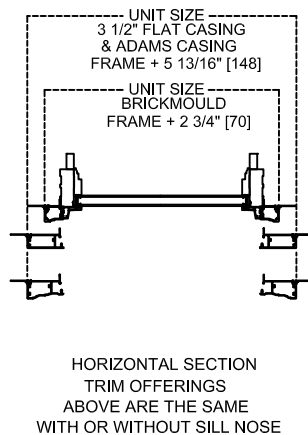
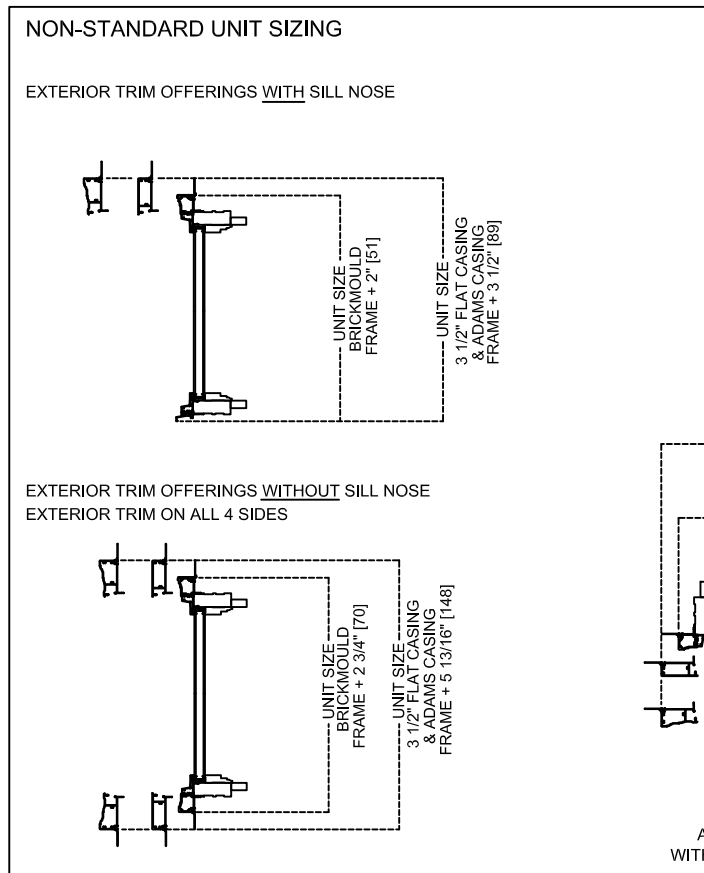
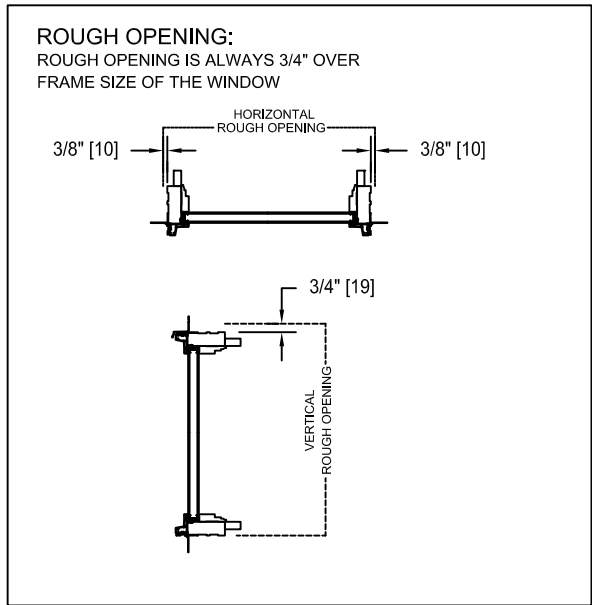
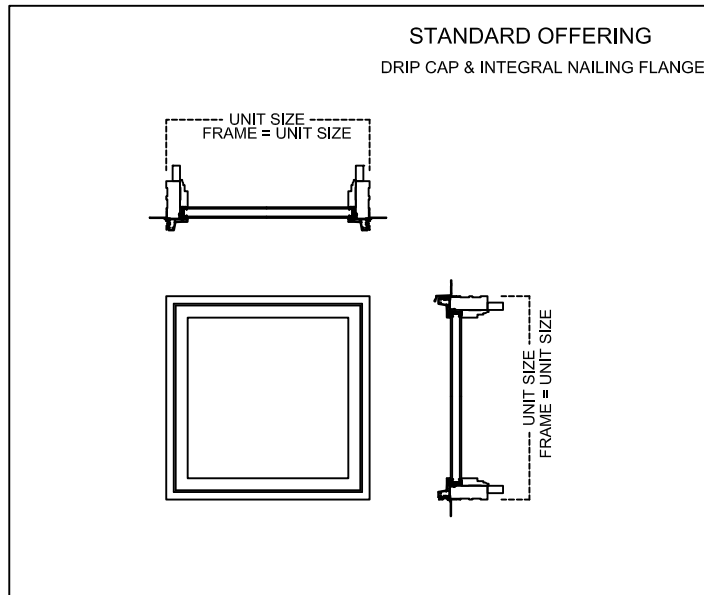
**UNIT SIZING, ROUGH OPENINGS &  
MASONRY OPENINGS**

**GENERAL NOTES:**

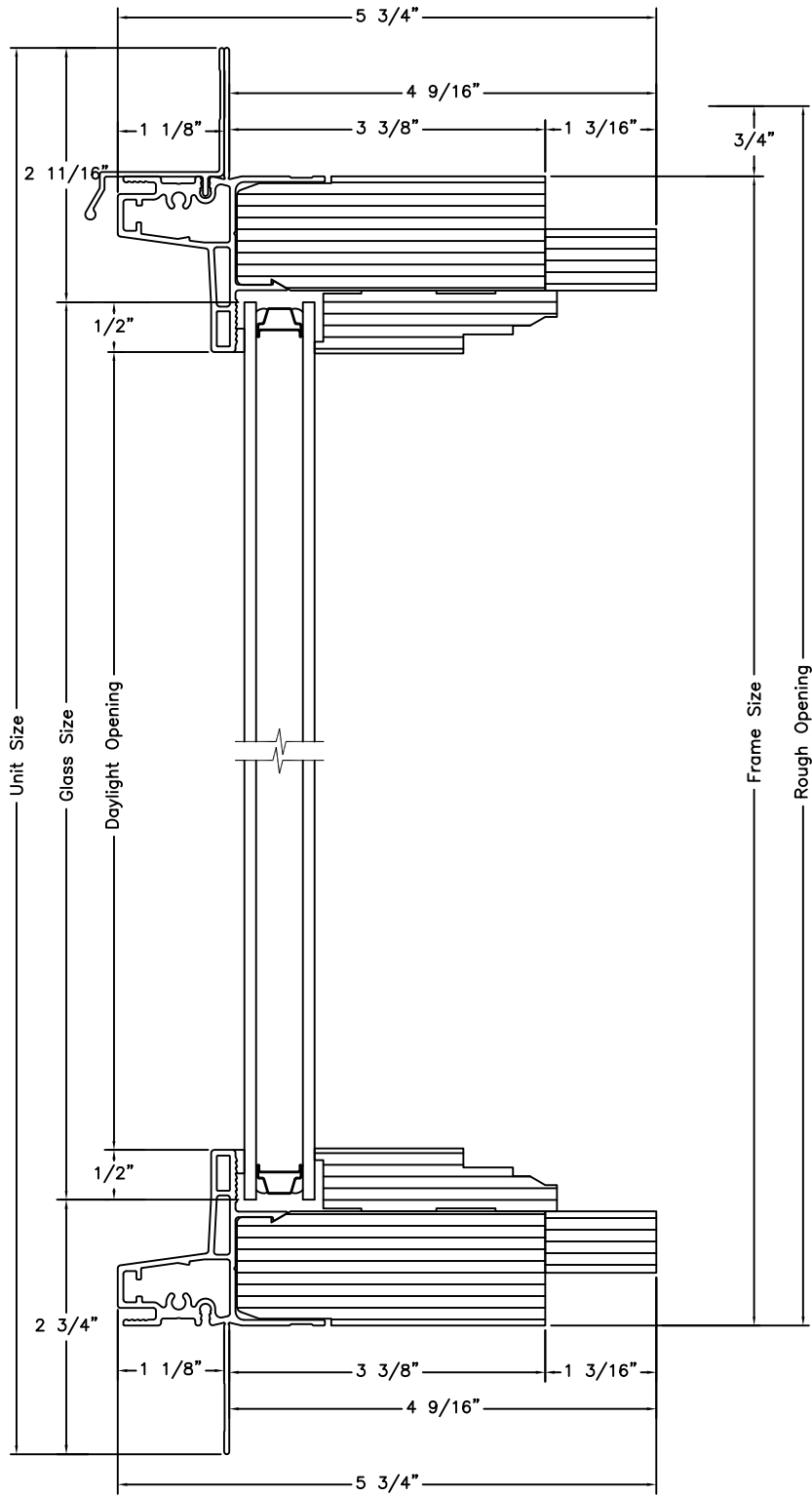
UNITS WITH NO TRIM AND SILL NOSE:  
UNIT SIZE = FRAME SIZE

UNIT SIZE IS ALWAYS THE  
EXTREME SIZE OF THE WINDOW  
WITH OR WITHOUT TRIM  
(DRIP CAP & NAILING FLANGE ARE  
NOT ADDED TO ANY UNIT SIZING)

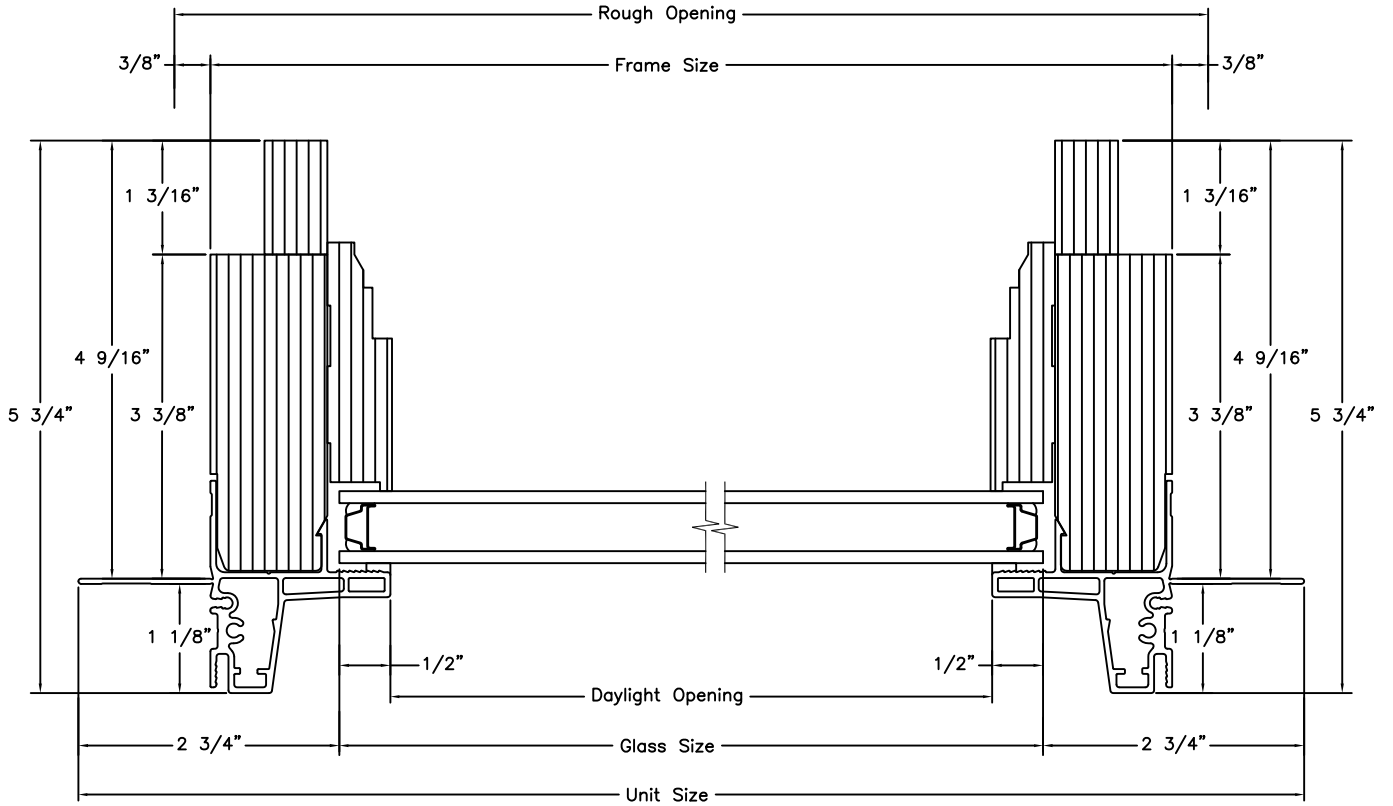
**MASONRY OPENING:**  
MASONRY OPENING IS ALWAYS 1/2" OVER  
THE UNIT SIZE OF THE WINDOW



VERTICAL SECTION  
INVERTED RADIUS SILL

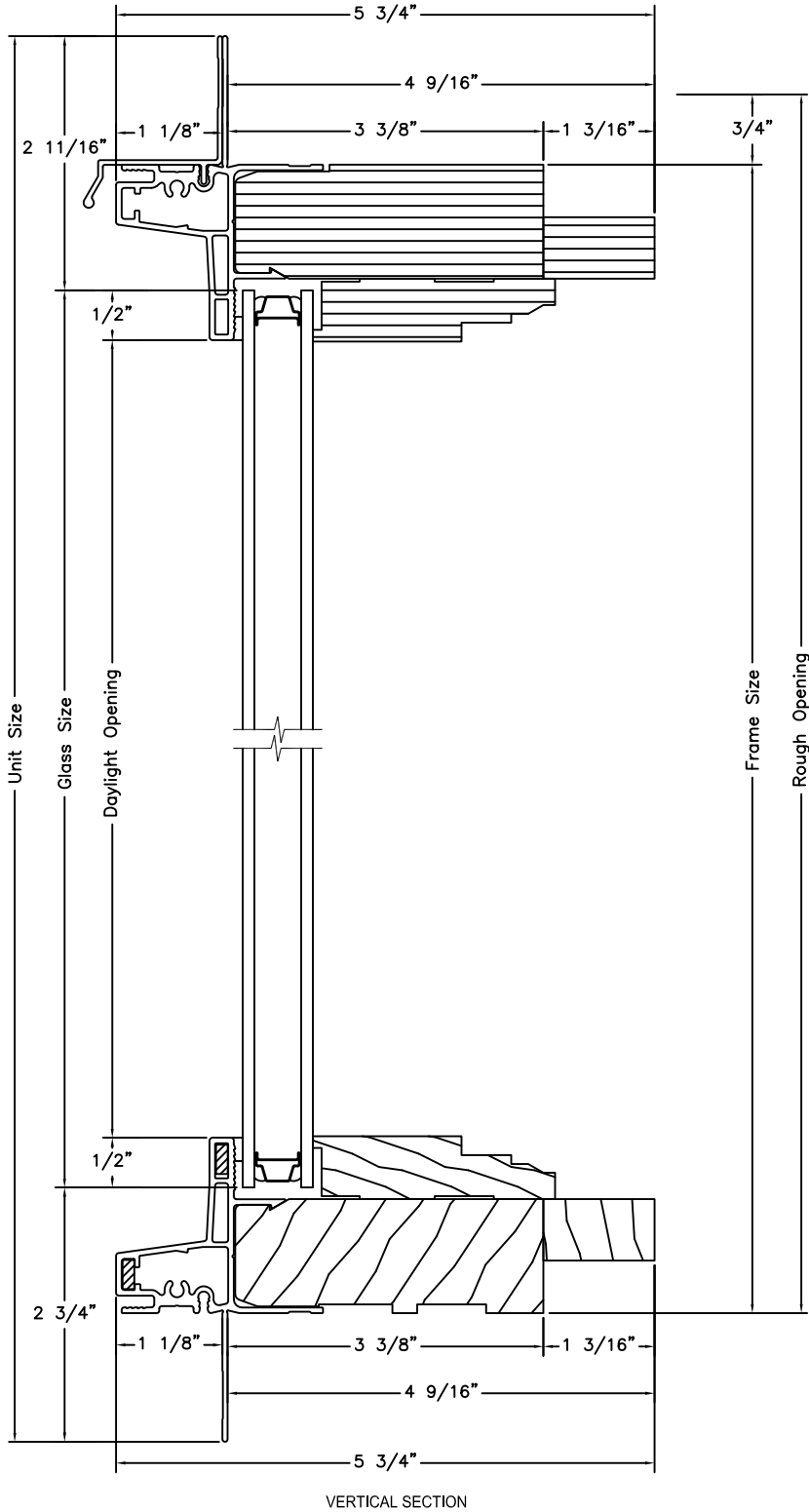


HORIZONTAL SECTION  
INVERTED RADIUS SILL



HORIZONTAL SECTION

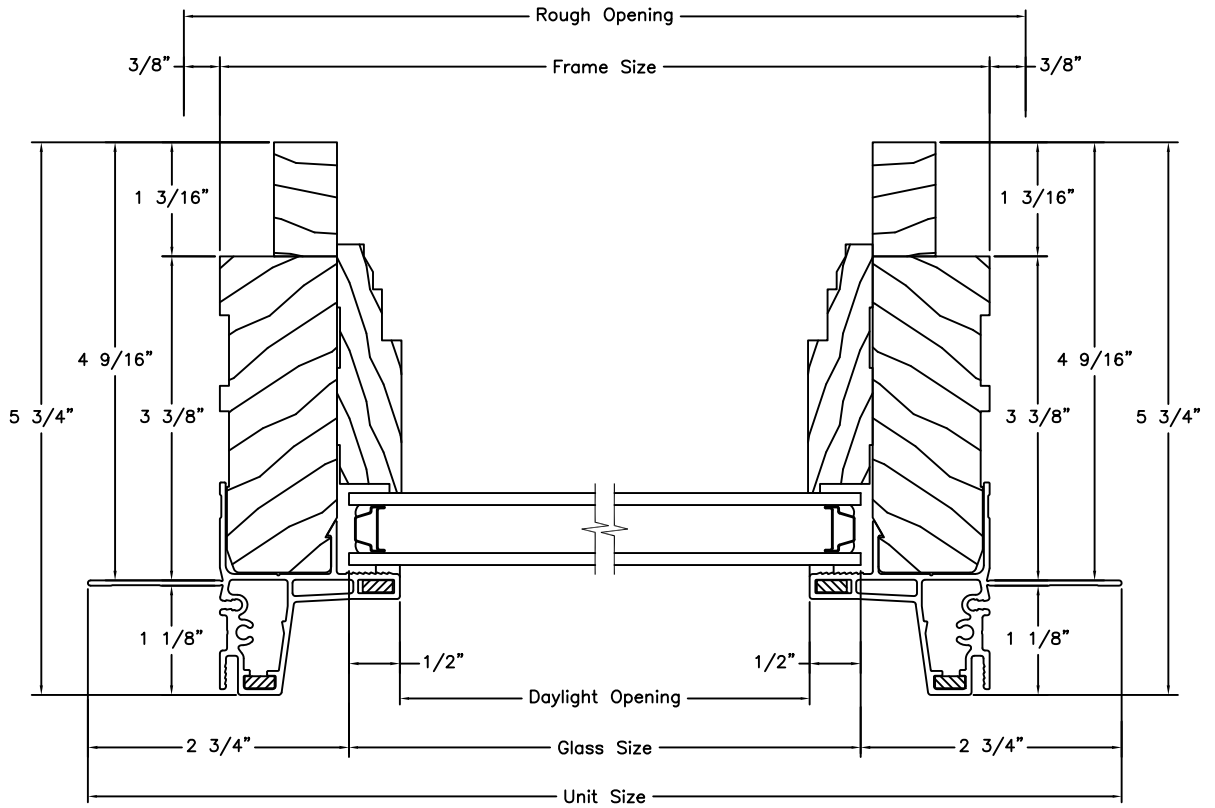
VERTICAL SECTION  
RADIUS HEAD



VERTICAL SECTION

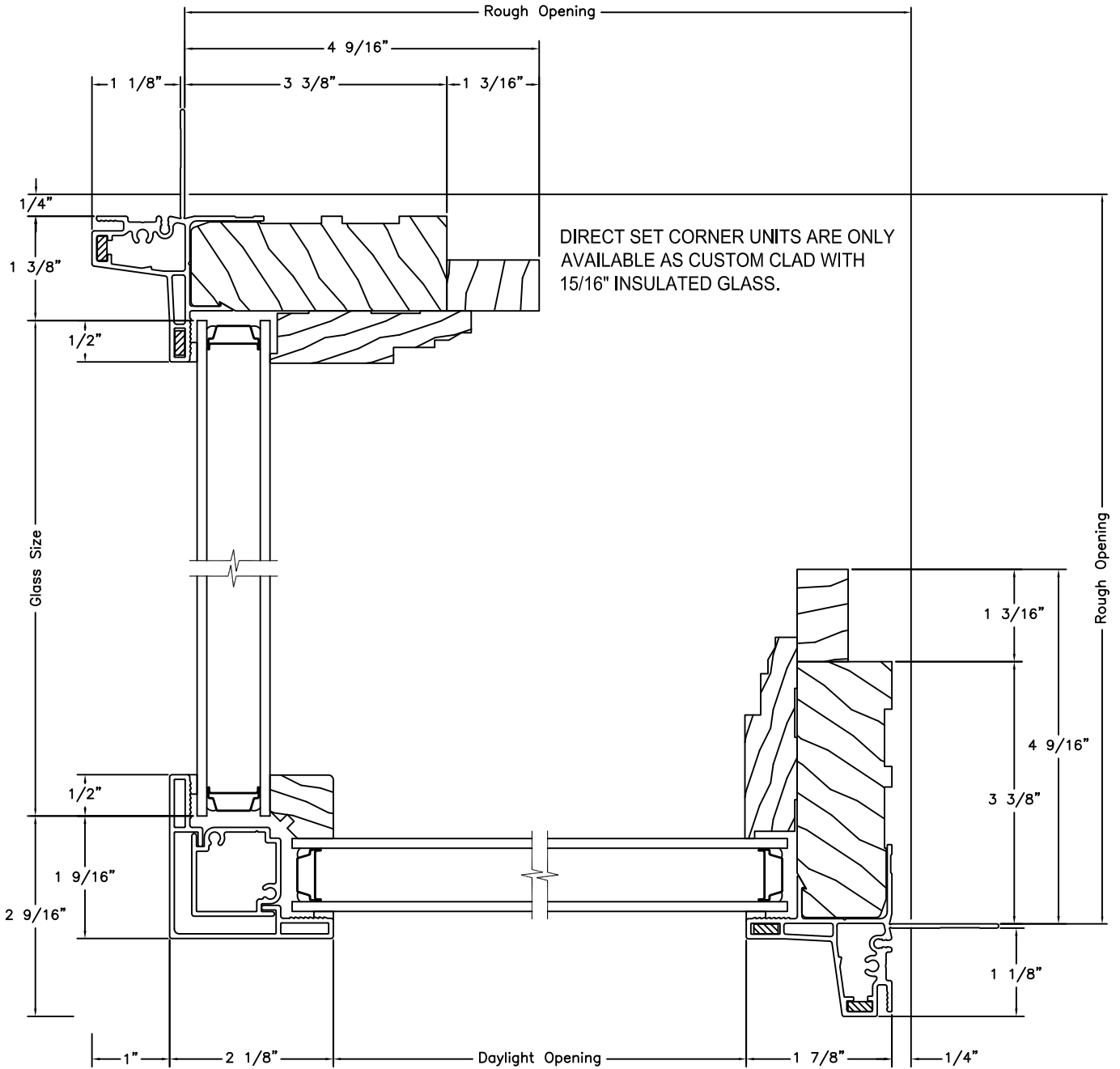


VERTICAL SECTION  
INVERTED RADIUS HEAD



HORIZONTAL SECTION

HORIZONTAL SECTION  
CORNER UNIT



HORIZONTAL SECTION