
TABLE OF CONTENTS

Specifications	14-2
Quick Spec Guide	14-4
Elevations/Sizes: 1/4" Scale	14-6
2-Wide Units	14-8
3-Wide Units	14-8
Glazing Options	14-9
Trim Options	14-13
Jamb Options	14-14
Mullion Details	14-15
Grille & SDL Patterns	14-16
Unit Sizing, Rough Openings & Masonry Openings	14-17
Section Details: 6" Scale	14-18

PRODUCT SPECIFICATIONS**EXTERIOR FINISH**

The standard exterior is factory-applied latex primer with an option for unfinished (stain grade) natural pine exterior available.

AURALAST® WOOD

AuraLast® wood is fundamentally different from wood treated in traditional millwork preservation processes in that it uses a proprietary vacuum/pressure process to provide protection throughout the wood parts used to make windows and doors. AuraLast® wood is distinguished from wood using traditional preservation methods by its unique ability to achieve greater penetration of the active ingredients into the wood parts, with a minimum treatment penetration of 92%.

INTERIOR FINISH

Interior surfaces are unfinished clear pine ready for on-site finishing. Optional prefinished pine interiors include four acrylic colors (Moderate White, Extra White, Natural Choice, Pure White), five stains (Wheat, Cherry, Fruitwood, Cordovan, Cider) and a clear lacquer topcoat. Primed interior is also available.

FRAME

Frame is assembled from select kiln-dried pine AuraLast® wood on all exterior parts, factory primed. Standard jamb width is 4-9/16".

SASH

1-7/16" thick select kiln-dried pine AuraLast® wood. Exterior surface is factory primed. Corner joints are mortised-and-tenoned, glued and nailed from the interior, with the glass mounted into the sash using silicone glazing compound, then secured with interior applied profiled wood stops.

GLAZING

Insulating glass is constructed from two panes of glass, utilizing a continuous roll formed stainless steel spacer with dual seal sealant. The glass is mounted into the sash using a silicone-glazing compound and secured with interior applied profiled wood stops. All insulating glass units comply with the performance requirements of IGCC in accordance with either ASTM E774 or E2190.

GLAZING OPTIONS

Insulating glass available in Low-E with Argon, Low-E, Low-E 366, Clear, Neat Glass, Seedy Reamy, tinted, reflective, or obscure, tempered or other specialty glass as specified. Preserve® film is a 0.003" thick polyethylene film with a low tack acrylic adhesive applied to the glass for protection during shipping and installation. Installations at 4,000 foot elevations and higher require a capillary tube to equalize environmental stress (otherwise known as High Altitude glazing). High Altitude glazing does not allow the use of Argon as listed under glazing options.

WEATHER-STRIPPING

Engineered system combines a compressible bulb seal on the sash, with the exterior side and head jamb fillers that are fitted with foam filled vinyl.

HARDWARE

The operating sash is equipped with special reduced friction buttons that allow the sash to glide smoothly on a vinyl track. The interior sash locks and sash pulls are surface mounted to the sash and available in the standard finish options of White, Chestnut Bronze, and Desert Sand, with optional finishes in plated Polished Brass, Antique Brass, Polished Chrome, Brushed Chrome and Oil-Rubbed Bronze.

EXTERIOR INSECT SCREENS

Charcoal fiberglass screen cloth (18x16 mesh) set in painted roll formed aluminum frame fitted to the outside of the window with all necessary hardware, in Brilliant White, Chestnut Bronze, Desert Sand, French Vanilla, Hartford Green, Mesa Red, Black Licorice, Heirloom White, Hunter Green, Redwood, Sage Brown, and Smoke finishes. Interior Phantom screens are available in Pine. Insect screens are intended to allow air and light in and to keep insects out. They are not intended to keep anyone or anything from falling through an open window. For safety screens or other security devices contact your local building supply retailer.

GRILLES

SDL (Simulated Divided Lites) - extruded aluminum muntins permanently applied to the exterior of the insulating glass unit (not available on textured glass) in 5/8", 7/8", 1-1/8", or 1-3/8" widths. Profiles are bead stop in all widths, and a putty profile in 5/8", 7/8", and 1-1/8" widths only. 1" Copper SDL is also available. SDL is standard with a light bronze internal shadow bar to give a true divided lite appearance. As an option, SDL may be ordered with a silver shadow bar. Clear wood interior muntin bars match the exterior muntin width and are permanently bonded to the interior of the glass. Also available is a 2-5/16" SDL bar, which simulates a double-hung checkrail.

PDL (Precise Divided Lites) - Wood or extruded aluminum muntins permanently applied to the exterior of the insulating unit (not available on textured glass) in 3/4" and 1-1/2" widths without a shadow bar. Clear wood interior muntin bars match the exterior muntin width and are permanently bonded to the interior of the glass.

GBG (Grilles between the Glass) - 5/8" (15.9mm) flat and 23/32" or 1" contour mounted between the glass panes suspended within the air cavity.

Full-Surround Removable Wood Grilles - Rectangular, unfinished interior clear pine wood grilles in 7/8", 1-1/8", and 1-3/8" are available in patterns selected by the owner.

EXTERIOR TRIM

Brickmould standard with optional 3-1/2", 4-1/2", 5-1/2" flat trim, 3-1/2" Adams and 1 x 4 Backband trim. Optional mull covers to accommodate 1" (spread only), 2", 3-1/2" and 6" spread and stud pocket mull.

EXTENSION JAMBS

Extensions are applied to the interior on all four sides of the frame in wall depths up to 9-1/8" for 4/4, factory applied.

Continued on next page

PRODUCT SPECIFICATIONS

INSTALLATION

Installation per JELD-WEN Installation Method for Wood Windows.
See www.jeld-wen.com/resources for instructions.

PERFORMANCE

NFRC Certified - (rated and labeled in accordance with NFRC 100 and 200 procedures)

ANSI/AAMA/NWDA/101/I.S.2-97
AMMA/WDMA/CSA 101/I.S.2/A440-05
WDMA Hallmark Certified

See www.jeld-wen.com for architectural and performance information.

QUICK SPEC GUIDE

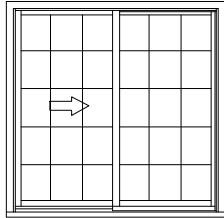
SPECIFICATION	STANDARD FEATURES	OPTIONAL FEATURES <i>Some options may require additional lead times. Consult your JELD-WEN Sales Representative.</i>
EXTERIOR FINISH	<ul style="list-style-type: none"> • Primed 	<ul style="list-style-type: none"> • Natural <p>Sash Only:</p> <ul style="list-style-type: none"> • Bright Copper* <i>*Copper is only available when ordered with a clad sash</i> • Speckled Patina Copper • Hand Rubbed Patina Copper
EXTERIOR TRIM	<ul style="list-style-type: none"> • Brickmould & Subsill 	<ul style="list-style-type: none"> • Adams Casing • 3-1/2" Flat Casing • 4-1/2" Flat Casing • 5-1/2" Flat Casing • 1x4 Backband • Extended Sill Nose
INTERIOR WOOD	<ul style="list-style-type: none"> • Western Pine 	<ul style="list-style-type: none"> • Vertical Grain Douglas Fir • Mahogany
INTERIOR FINISH	<ul style="list-style-type: none"> • Natural 	<ul style="list-style-type: none"> • Priming Available <p>Pre-finished Interior Options are:</p> <ul style="list-style-type: none"> • Paint - Pure White, Extra White, Natural Choice, Moderate White • Stain - Wheat, Fruitwood, Cherry, Cordovan, Cider • Clear Lacquer
SIZE	<ul style="list-style-type: none"> • Width: 35-1/2, 47-1/2, 59-1/2, 71-1/2 • Height: 23-1/2, 35-1/2, 41-1/2, 47-1/2, 59-1/2 	<ul style="list-style-type: none"> • Any Width: 35-1/2 to 71-1/2 • Any Height: 23-1/2 to 59-1/2
GLAZING	<ul style="list-style-type: none"> • Low-E Insulating Glass (with Argon) • Low-E 366 • Preserve® Protective Film 	<ul style="list-style-type: none"> • Clear • Obscure • Reflective • Tints: Bronze, Gray, Green • Glue Chip • Safety Laminate in Clear, Bronze or Gray • Neat Glass • Seedy Reamy • Rain • Narrow Reed • Sandblasted • Tempered • Impact Resistant <hr/> <ul style="list-style-type: none"> • High Altitude (Breather Tube, no Argon)
GRILLES		<p>SDL Bead Profile:</p> <ul style="list-style-type: none"> • 5/8", 7/8", 1-1/8", 1-3/8", 2-5/16" with Light Bronze Shadow Bar • 5/8", 7/8", 1-1/8", 1-3/8", 2-5/16" with Silver Shadow Bar <p>SDL Putty Profile:</p> <ul style="list-style-type: none"> • 5/8", 7/8" and 1-1/8" with Light Bronze Shadow Bar • 5/8", 7/8" and 1-1/8" with Silver Shadow Bar <ul style="list-style-type: none"> • 1" Copper SDL <p>PDL:</p> <ul style="list-style-type: none"> • 3/4" or 1-1/2" Precise Divided Lite <p>GBG (Grilles between the Glass):</p> <ul style="list-style-type: none"> • 5/8" Flat, 23/32" Contour, 1" Contour <p>Full-Surround:</p> <ul style="list-style-type: none"> • 7/8", 1-1/8", 1-3/8"

Continued on next page

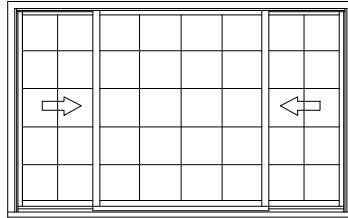
QUICK SPEC GUIDE

SPECIFICATION	STANDARD FEATURES	OPTIONAL FEATURES <i>Some options may require additional lead times. Consult your JELD-WEN Sales Representative.</i>
HARDWARE	<ul style="list-style-type: none"> • Cam Action Sash Locks • Sash Pulls 	
HARDWARE COLOR	<ul style="list-style-type: none"> • White • Chestnut Bronze • Desert Sand 	<ul style="list-style-type: none"> <li style="width: 50%;">• Polished Brass <li style="width: 50%;">• Brushed Chrome <li style="width: 50%;">• Antique Brass <li style="width: 50%;">• Oil-Rubbed Bronze <li style="width: 50%;">• Polished Chrome
JAMB	<ul style="list-style-type: none"> • Applied, 4/4 • 4-9/16" 	<ul style="list-style-type: none"> • Up to 9-1/8" 4/4
INSECT SCREENS	<ul style="list-style-type: none"> • Fiberglass 	<ul style="list-style-type: none"> • Phantom Screen and wood veneer wrapped screens available in Pine, Vertical Grain, Knotty Alder, and Mahogany
SCREEN FRAME COLOR	<ul style="list-style-type: none"> <li style="width: 50%;">• Brilliant White <li style="width: 50%;">• Black Licorice <li style="width: 50%;">• Chestnut Bronze <li style="width: 50%;">• Heirloom White <li style="width: 50%;">• Desert Sand <li style="width: 50%;">• Hunter Green <li style="width: 50%;">• French Vanilla <li style="width: 50%;">• Redwood <li style="width: 50%;">• Mesa Red <li style="width: 50%;">• Sage Brown <li style="width: 50%;">• Hartford Green <li style="width: 50%;">• Smoke 	<ul style="list-style-type: none"> • Custom Color Matching

GENERAL INFORMATION



OPERATING UNIT
(LEFT SHOWN)

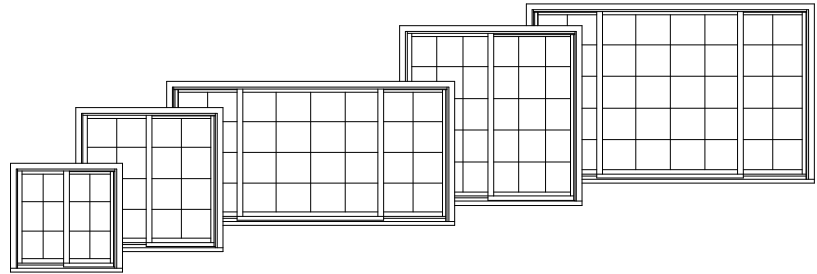


OPERATING UNIT
(LEFT/STATIONARY/RIGHT)

DIMENSIONAL WINDOWS

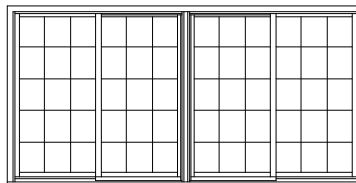
Wood horizontal gliding windows may be specified as "dimensional" by adjusting the desired rough opening width or height in 1/4" increments from standard.

Wood horizontal gliding windows are available in standard and triple unit styles. Standard units feature one operating sash and one fixed sash. Triple unit styles feature a fixed center sash with operating sash on both sides. Operating sashes are easily removable for cleaning. Units are supplied with dual cam-type sash locks installed. Die-cast sash pulls supplied for field installation are an option. There are several hardware finish options available. Refer to the specifications for finish options.



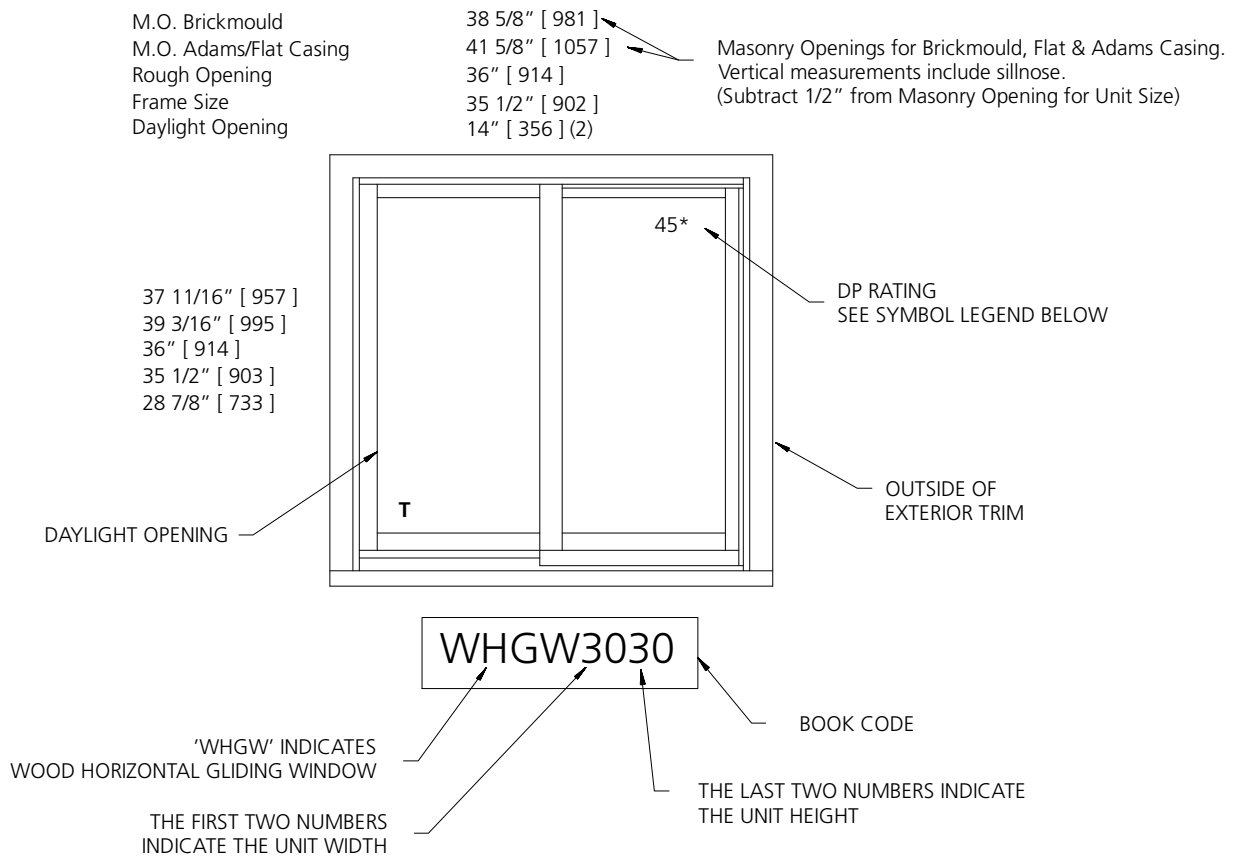
MULTIPLE ASSEMBLIES

Wood horizontal gliding windows may be mullered side-by-side to fill larger openings. Factory assembled mulls are limited to a maximum of two basic units, not to exceed 40 square feet in total area. Larger assemblies may be field mullered.



ELEVATION NOTES

ELEVATION DRAWINGS UTILIZE A LIMITED NUMBER OF PROJECTED LINES TO PRODUCE A RUDIMENTARY DRAWING INTENDED TO BE USED IN A SMALL GRAPHICAL SCALE. ELEVATIONS ARE VIEWED PERPENDICULAR FROM THE EXTERIOR OF THE STRUCTURE. IF MORE DIMENSIONS ARE NEEDED, USE THE SECTION DRAWINGS FOR MORE COMPLETE DEPICTIONS.



GENERAL HORIZONTAL GLIDING WINDOW NOTES

1. ALL UNITS SHOWN ARE AVAILABLE AS OPERATORS ONLY.
2. UNIT ELEVATIONS ARE SHOWN WITH BRICKMOULD & SILLNOSE.
3. DIMENSIONAL VALUES IN BRACKETS ARE MILLIMETER CONVERSIONS.

ELEVATION SYMBOL LEGEND:

- E** UNIT MEETS EGRESS REQUIREMENTS FOR IRC CODE. STATE AND LOCAL EGRESS CODES MAY DIFFER. ALWAYS REFER TO LOCAL BUILDING CODES FOR COMPLETE REQUIREMENTS. CHECK WITH LOCAL OFFICIALS TO ENSURE COMPLIANCE BEFORE INSTALLING THE UNIT.
- T** BASIC UNIT IS NOT AVAILABLE WITH TRIPLE GLAZE, IMPACT RESISTANT, OR SAFETY LAMINATED GLASS.
- ##*** NUMBER INDICATES DESIGN PRESSURE (DP) RATING WITH STANDARD GLAZING.

2- & 3-WIDE UNITS

MO BRICKMOULD
MO ADAMS FLAT CASING
ROUGH OPENING
FRAME SIZE
GLASS SIZE

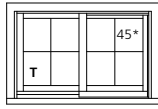
38 5/8" [981]
41 5/8" [1057]
36 1/4" [921]
35 1/2" [902]
14" [346] (2)

50 5/8" [1286]
53 5/8" [1362]
48 1/4" [1226]
47 1/2" [1207]
20" [508] (2)

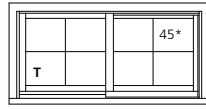
62 5/8" [1590]
65 5/8" [1667]
60 1/4" [1531]
59 1/2" [1511]
26" [660] (2)

74 5/8" [1895]
77 5/8" [1972]
72 1/4" [1835]
71 1/2" [1816]
32" [813] (2)

25 11/16" [652]
27 3/16" [691]
24 1/4" [616]
23 1/2" [597]
16 7/8" [429]

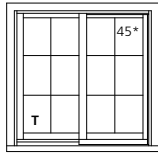


WHGW3020

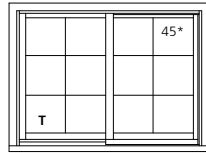


WHGW4020

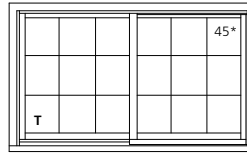
37 11/16" [957]
39 3/16" [995]
36 1/4" [921]
35 1/2" [903]
28 7/8" [733]



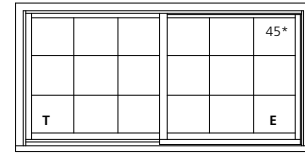
WHGW3030



WHGW4030

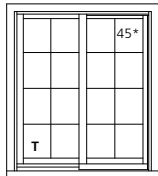


WHGW5030

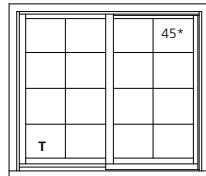


WHGW6030

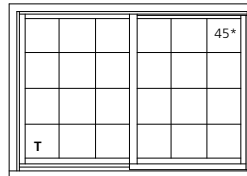
43 11/16" [1059]
45 3/16" [1148]
42 1/4" [1073]
41 1/2" [1054]
34 7/8" [886]



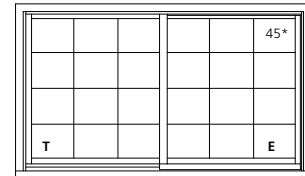
WHGW3036



WHGW4036

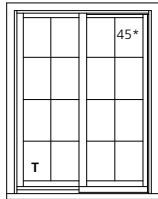


WHGW5036

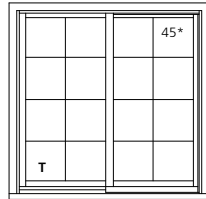


WHGW6036

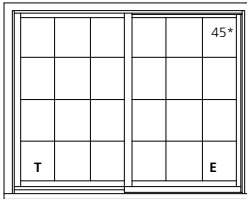
49 11/16" [1262]
51 3/16" [1300]
48 1/4" [1226]
47 1/2" [1207]
40 7/8" [1038]



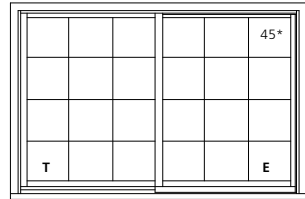
WHGW3040



WHGW4040

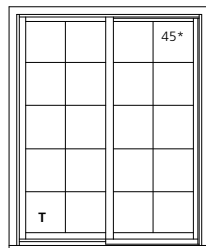


WHGW5040

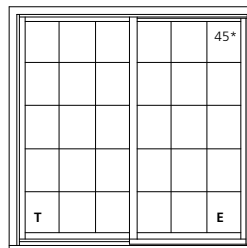


WHGW6040

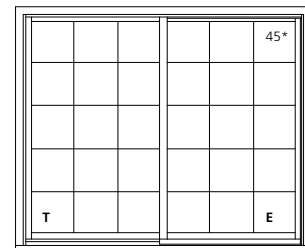
61 11/16" [1567]
63 3/16" [1605]
60 1/4" [1530]
59 1/2" [1511]
52 7/8" [1343]



WHGW4050

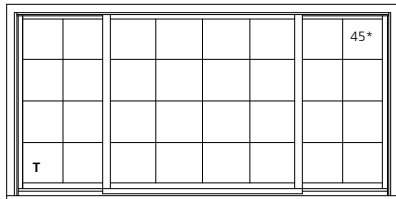


WHGW5050



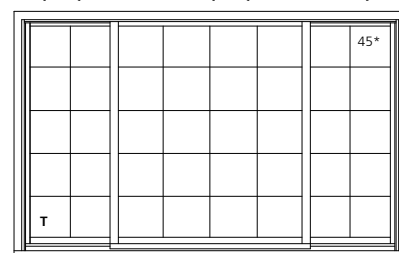
WHGW6050

98 5/8" [2505]
101 5/8" [2581]
96 1/4" [2445]
95 1/2" [2426]
20" [508]



WHGW8040

98 5/8" [2505]
101 5/8" [2581]
96" [2438]
95 1/2" [2426]
46 1/16" [1170]



WHGW8050

49 11/16" [1262]
51 3/16" [1300]
48 1/4" [1226]
47 1/2" [1207]
40 7/8" [1038]

61 11/16" [1567]
63 3/16" [1605]
60 1/4" [1530]
59 1/2" [1511]
52 7/8" [1343]

ELEVATION SYMBOL LEGEND:

M.O. = MASONRY OPENING
VALUES IN [] ARE IN MILLIMETER CONVERSIONS.

E UNIT MEETS EGRESS REQUIREMENTS FOR IRC CODE. STATE AND LOCAL EGRESS CODES MAY DIFFER. ALWAYS REFER TO LOCAL BUILDING CODES FOR COMPLETE REQUIREMENTS.
CHECK WITH LOCAL OFFICIALS TO ENSURE COMPLIANCE BEFORE INSTALLING THE UNIT.

T BASIC UNIT IS NOT AVAILABLE WITH TRIPLE GLAZE, IMPACT RESISTANT, OR SAFETY LAMINATED GLASS.

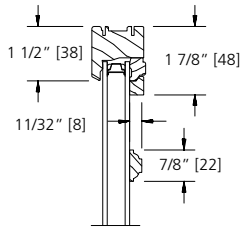
NUMBER INDICATES DESIGN PRESSURE (DP) RATING WITH STANDARD GLAZING.

Note: Elevations shown DO NOT have exterior trim. Subtract 1/2" (12.7) from M.O. (Masonry Opening) for Unit Sizes. Masonry Openings above include Sill Nose, see Trim Options page for Sill Nose specifications. For other Trim Options refer to the Unit Sizing, Rough Opening & Masonry Openings page.

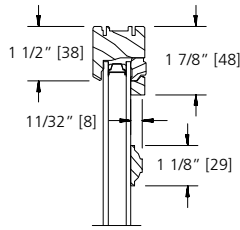
SCALE: 1/4" = 1'

GLAZING OPTIONS

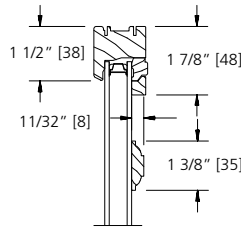
INTERIOR GLAZED
INSULATED 3/4" [19] GLASS



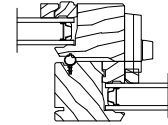
7/8" GRILLE BAR



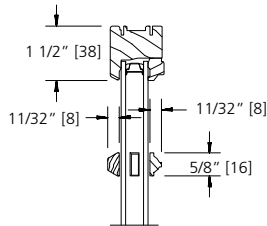
1 1/8" GRILLE BAR



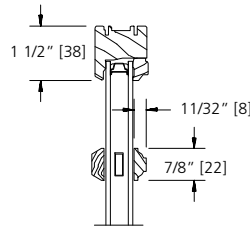
1 3/8" GRILLE BAR



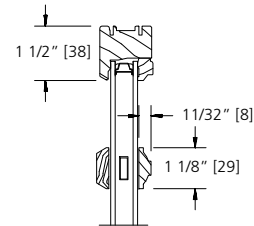
**MEETING STILE
GRILLE SURROUND**



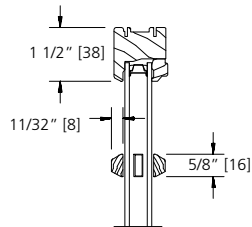
**5/8" T-BAR
(PUTTY/BEAD)**



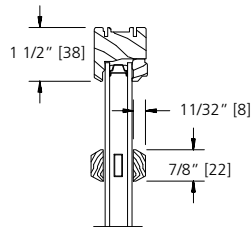
**7/8" T-BAR
(PUTTY/BEAD)**



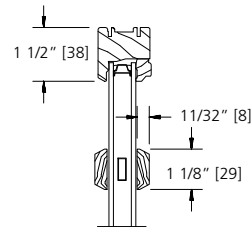
**1 1/8" SDL BAR
(PUTTY/BEAD)**



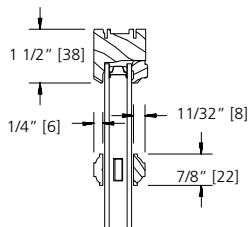
**5/8" T-BAR
(PUTTY/PUTTY)**



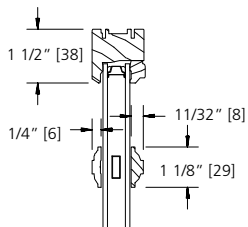
**7/8" T-BAR
(PUTTY/PUTTY)**



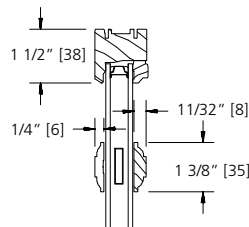
**1 1/8" SDL BAR
(PUTTY/PUTTY)**



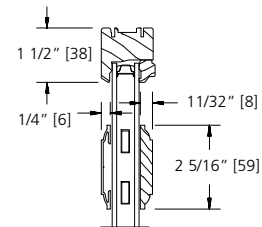
**7/8" T-BAR
(BEAD STOP)**



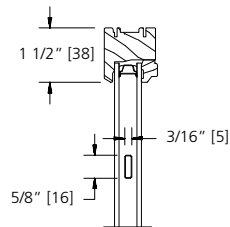
**1 1/8" SDL BAR
(BEAD STOP)**



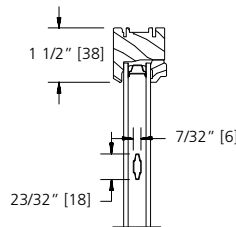
**1 3/8" SDL BAR
(BEAD STOP)**



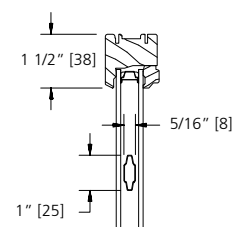
**2 5/16" SDL BAR
(BEAD STOP)**



**5/8" FLAT
GBG**



**23/32" CONTOUR
GBG**

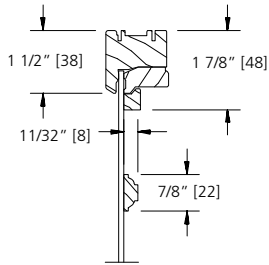


**1" CONTOUR
GBG**

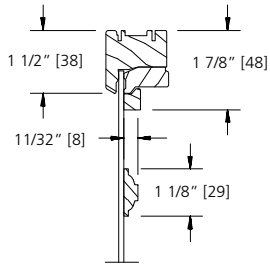
SCALE: NTS

GLAZING OPTIONS

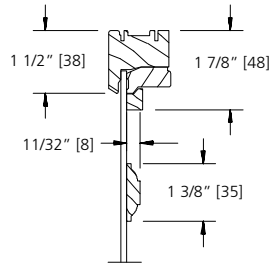
INTERIOR GLAZED
SINGLE GLAZED 1/8" [3] GLASS



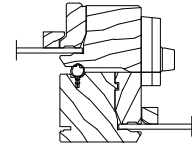
7/8" GRILLE BAR



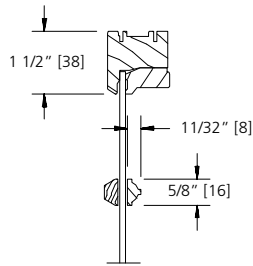
1 1/8" GRILLE BAR



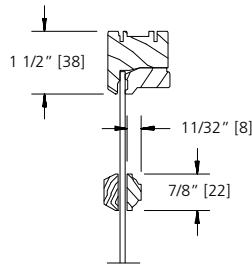
1 3/8" GRILLE BAR



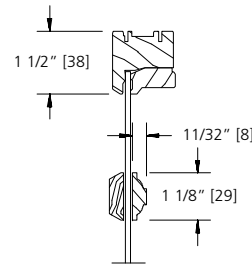
**MEETING STILE
GRILLE SURROUND**



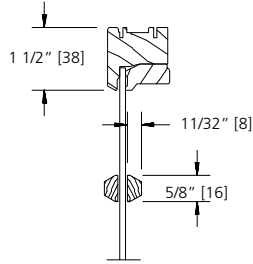
**5/8" T-BAR
(PUTTY/BEAD)**



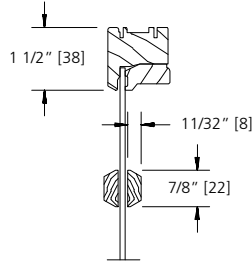
**7/8" T-BAR
(PUTTY/BEAD)**



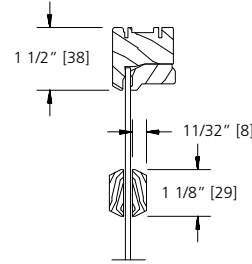
**1 1/8" SDL BAR
(PUTTY/BEAD)**



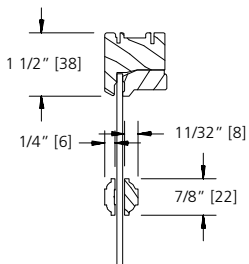
**5/8" T-BAR
(PUTTY/PUTTY)**



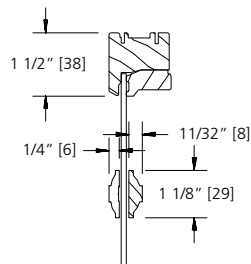
**7/8" T-BAR
(PUTTY/PUTTY)**



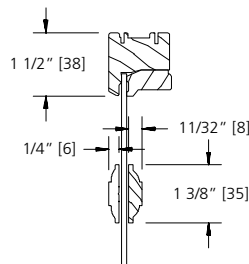
**1 1/8" SDL BAR
(PUTTY/PUTTY)**



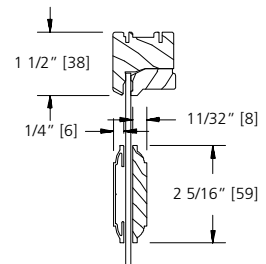
**7/8" T-BAR
(BEAD STOP)**



**1 1/8" SDL BAR
(BEAD STOP)**



**1 3/8" SDL BAR
(BEAD STOP)**

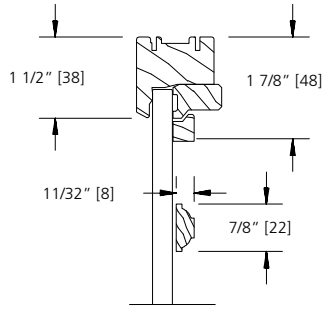


**2 5/16" SDL BAR
(BEAD STOP)**

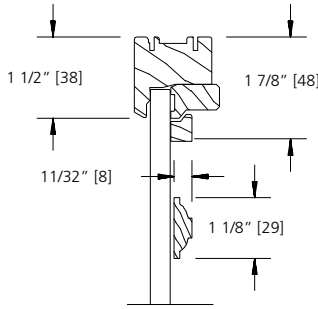
SCALE: NTS

GLAZING OPTIONS

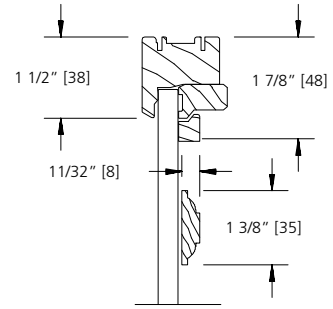
**INTERIOR GLAZED
IMPACT RESISTANT GLASS**



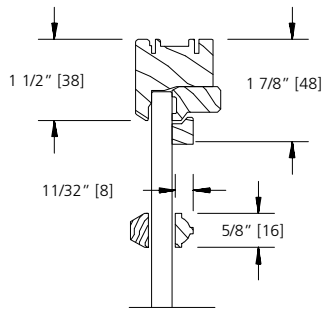
7/8" GRILLE BAR



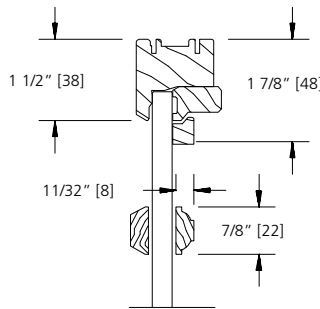
1 1/8" GRILLE BAR



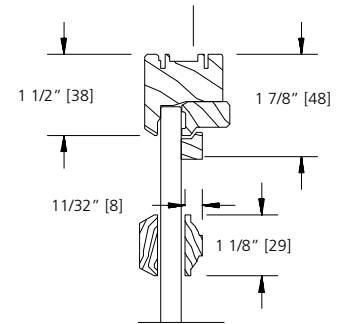
1 3/8" GRILLE BAR



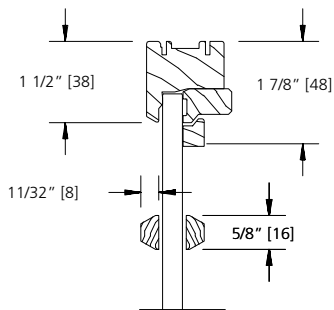
**5/8" SDL BAR
(PUTTY/BEAD)**



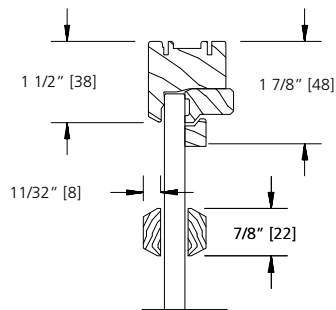
**7/8" SDL BAR
(PUTTY/BEAD)**



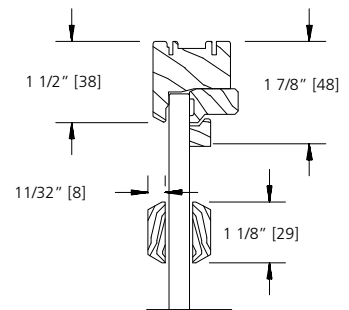
**1 1/8" SDL BAR
(PUTTY/BEAD)**



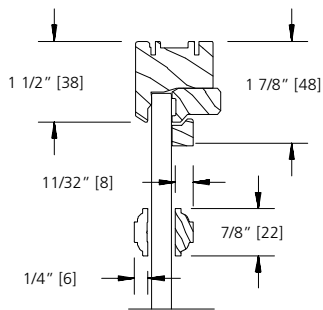
**5/8" SDL BAR
(PUTTY/PUTTY)**



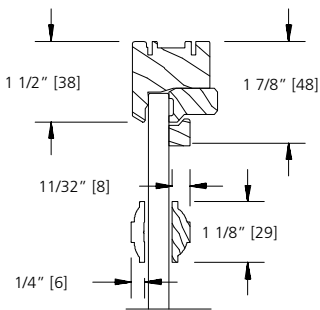
**7/8" SDL BAR
(PUTTY/PUTTY)**



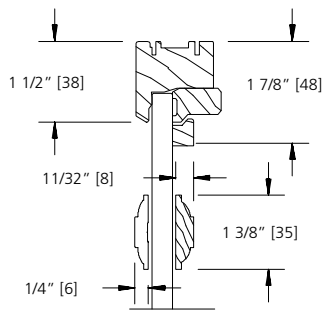
**1 1/8" SDL BAR
(PUTTY/PUTTY)**



**7/8" SDL BAR
(BEAD STOP)**



**1 1/8" SDL BAR
(BEAD STOP)**

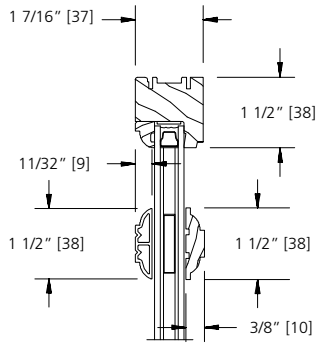


**1 3/8" SDL BAR
(BEAD STOP)**

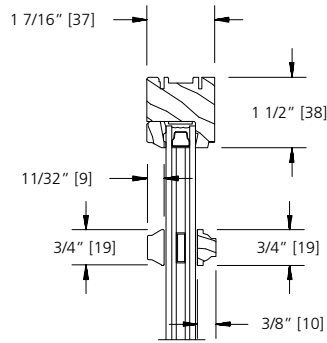
SCALE: NTS

GLAZING OPTIONS

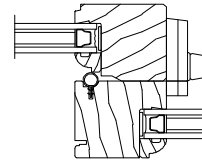
EXTERIOR GLAZED



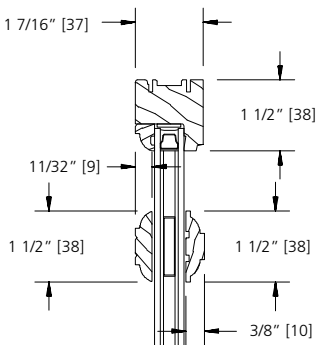
1 1/2" PDL
CLAD EXTERIOR BAR
3/4" [19] Glass



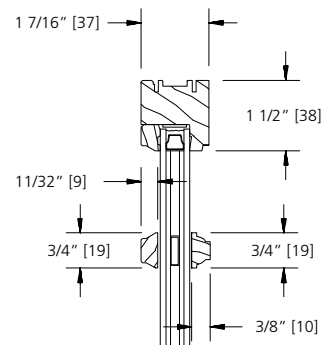
3/4" PDL
CLAD EXTERIOR BAR
3/4" [19] Glass



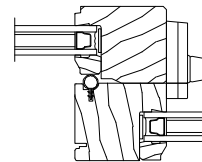
MEETING STILE
1 1/2" PDL



1 1/2" PDL
WOOD EXTERIOR BAR
3/4" [19] Glass



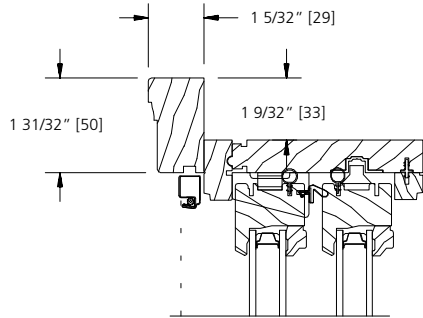
3/4" PDL
WOOD EXTERIOR BAR
3/4" [19] Glass



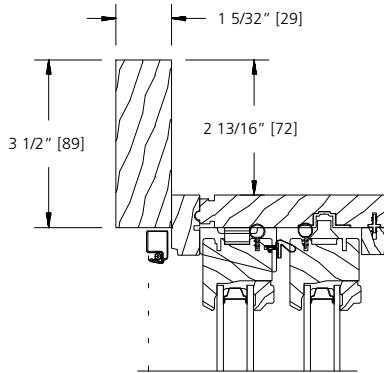
MEETING STILE
3/4" PDL

TRIM OPTIONS

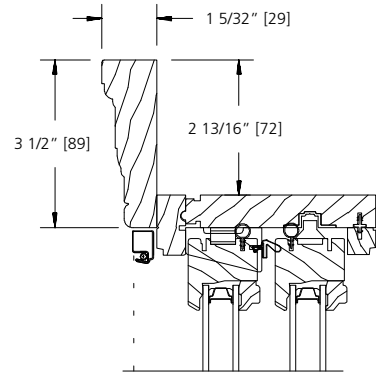
EXTERIOR TRIM



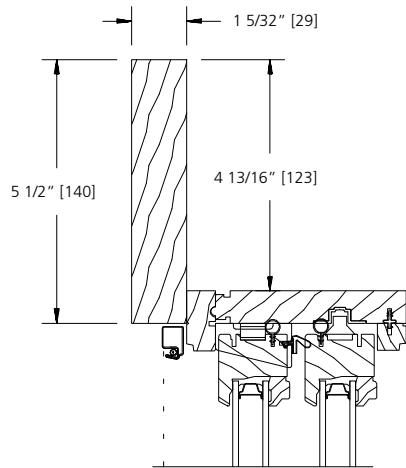
BRICKMOULD



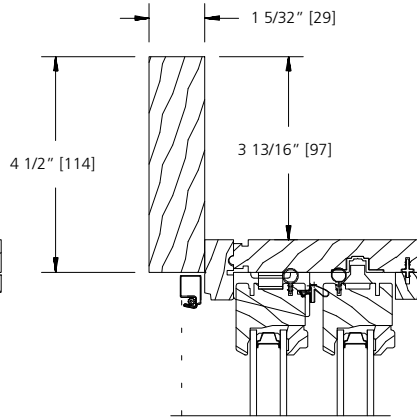
3 1/2\"/>



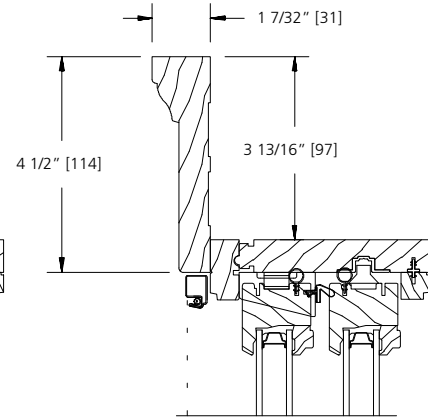
ADAMS CASING



5 1/2\"/>

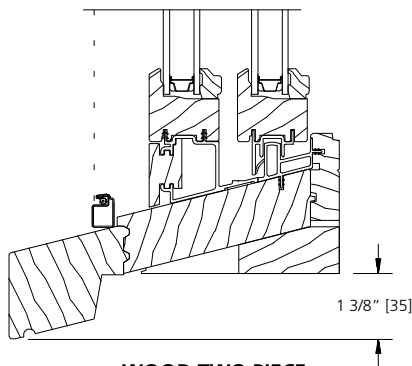


4 1/2\"/>



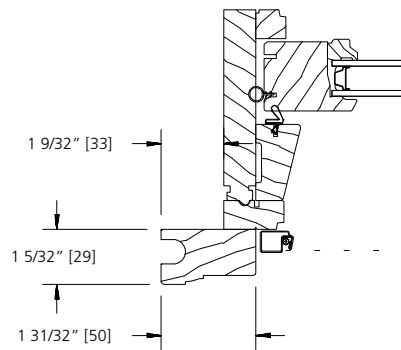
1 x 4 BACKBAND CASING

EXTENDED SILL OPTION



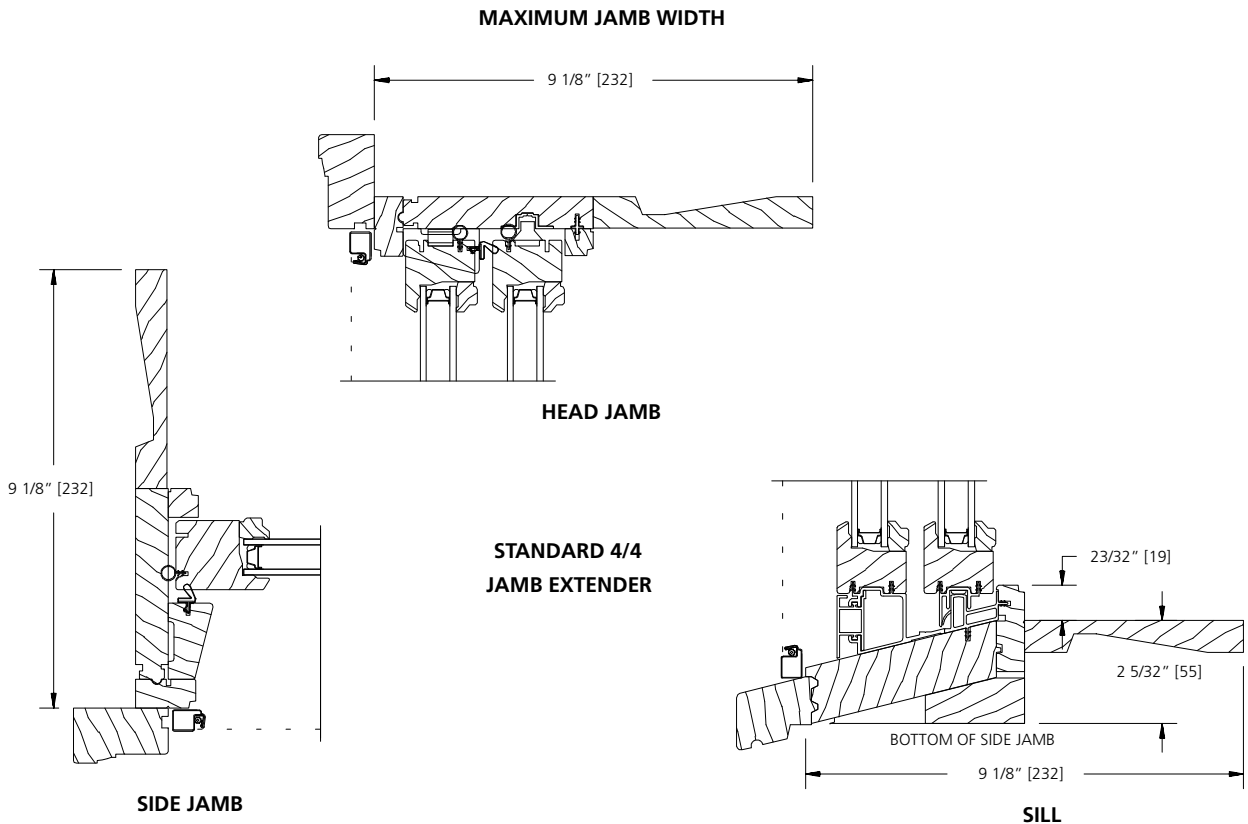
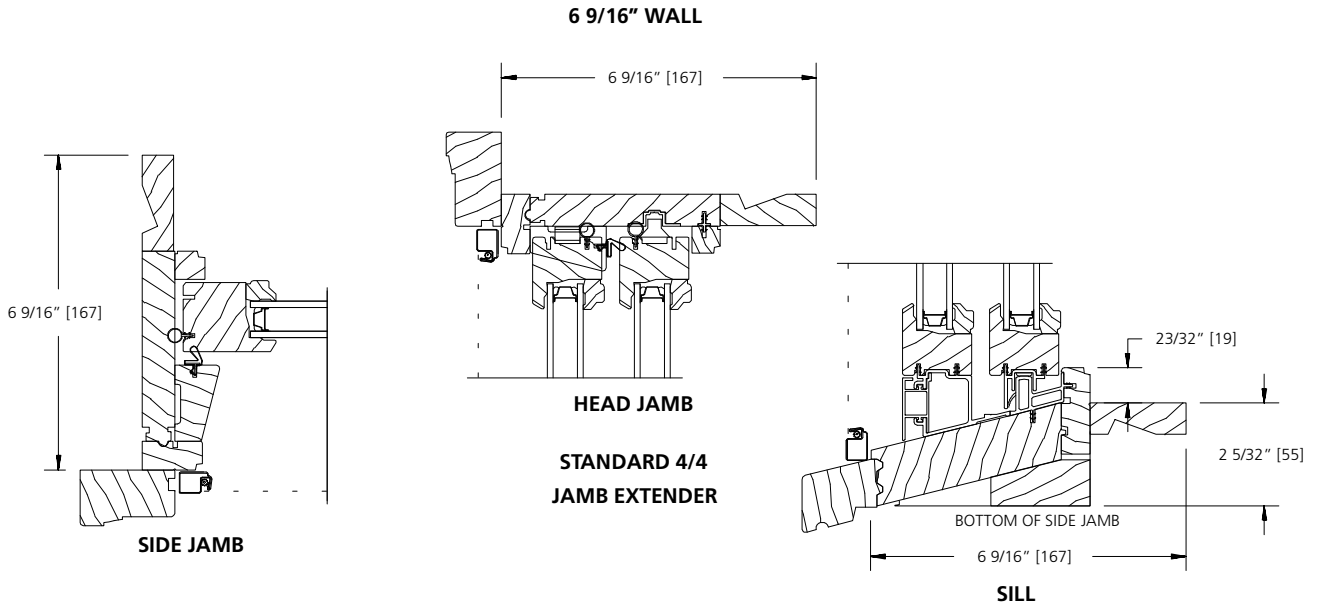
WOOD TWO PIECE EXTENDED SILL NOSE

STUCCO TRIM OPTION



SCALE: 3" = 1'

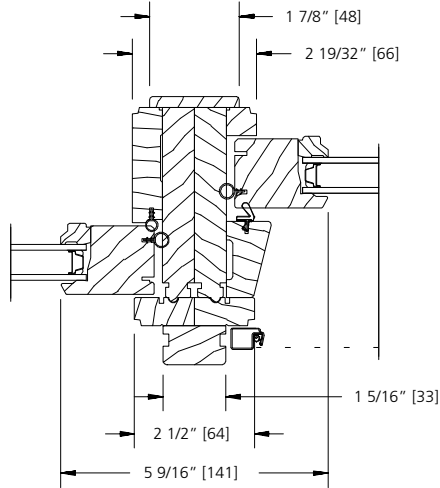
JAMB EXTENDER OPTIONS



SCALE: 3" = 1'

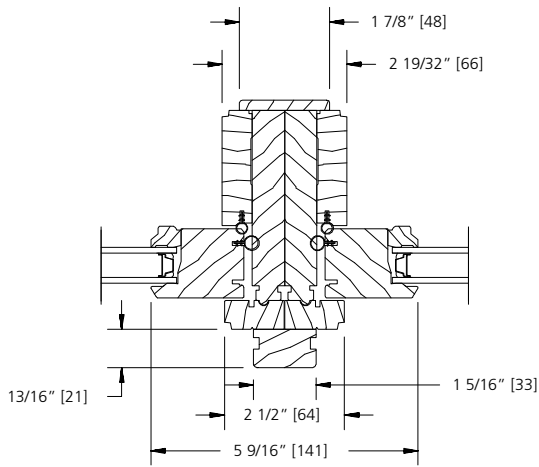
STANDARD MULLION DETAILS

HORIZONTAL MULLION



LEFT HAND OPERATOR

LEFT HAND OPERATOR
OR 3-WIDE WINDOW



LEFT HAND OPERATOR

RIGHT HAND OPERATOR

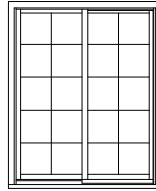
SCALE: 3" = 1'

LITE CUT INFORMATION

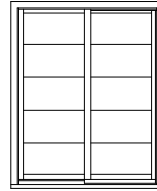
Wood horizontal gliding windows are available with removable grilles in 7/8", 1-1/8" and 1-3/8" widths, GBG (Grilles between the Glass), and Simulated Divided Lites. Standard lite cuts are rectangular.

LITE CUT OPTIONS

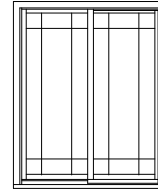
Special lite cut patterns can include a wide variety of straight line and radius patterns. The illustrations shown here represent just a few of the possibilities. Rectangular, horizontal, vertical and Prairie lite patterns are available in all standard size wood horizontal gliding windows. Uneven, diamond, radius and Gothic lite cuts are available, subject to approval. Approvals are based on the ability to fulfill the design requirement while maintaining the construction integrity of the finished product.



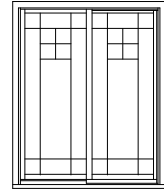
RECTANGULAR



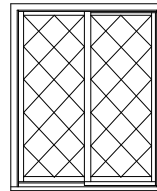
HORIZONTAL



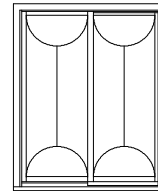
PRAIRIE



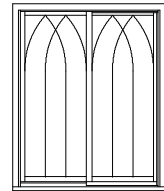
UNEVEN



DIAMOND



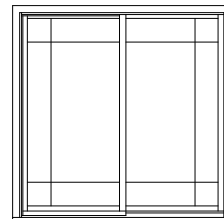
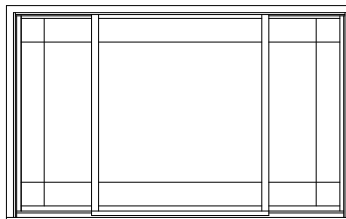
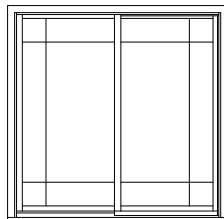
RADIUS



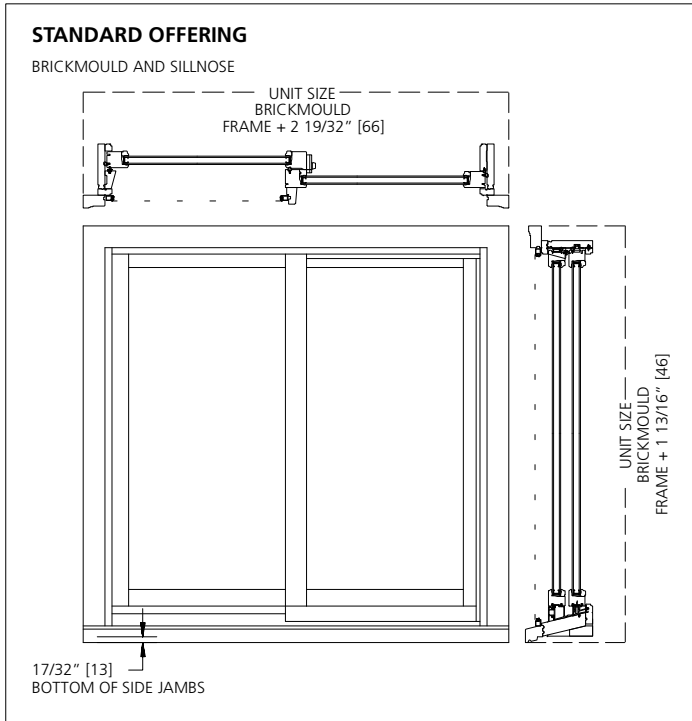
GOTHIC

BAR ALIGNMENT

Alignment of divided lite muntin bars from one window to the next is often required by fine architectural design. Wood grilles, GBG (Grilles between the Glass) and Simulated Divided Lites may be specified with muntin bars aligned.



**UNIT SIZING, ROUGH OPENINGS
& MASONRY OPENINGS**

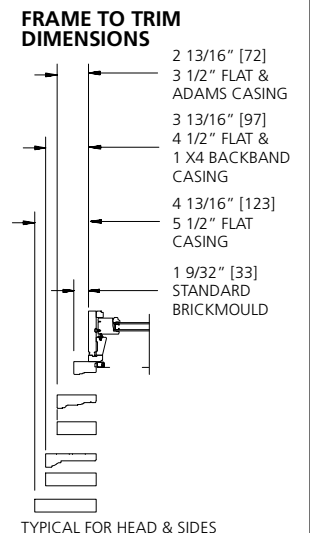
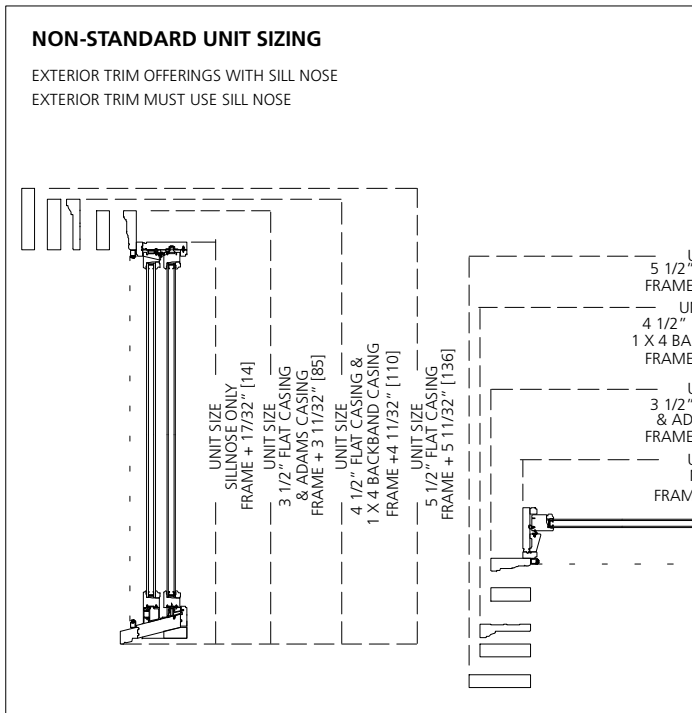
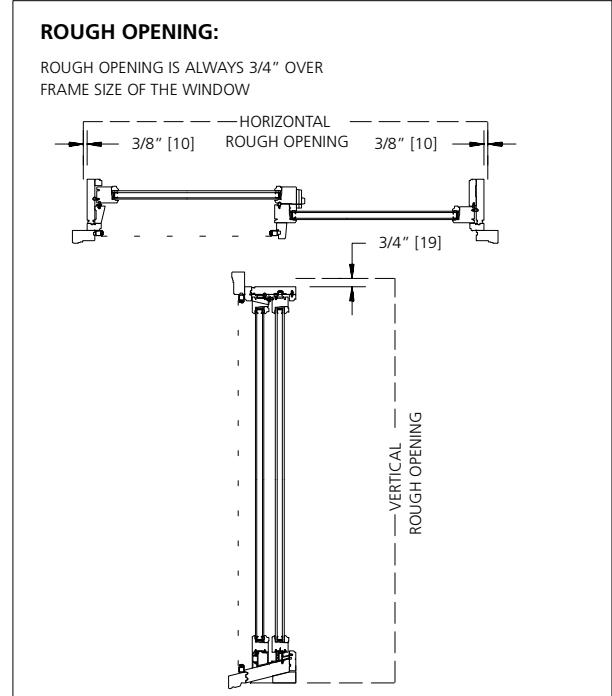


GENERAL NOTES:

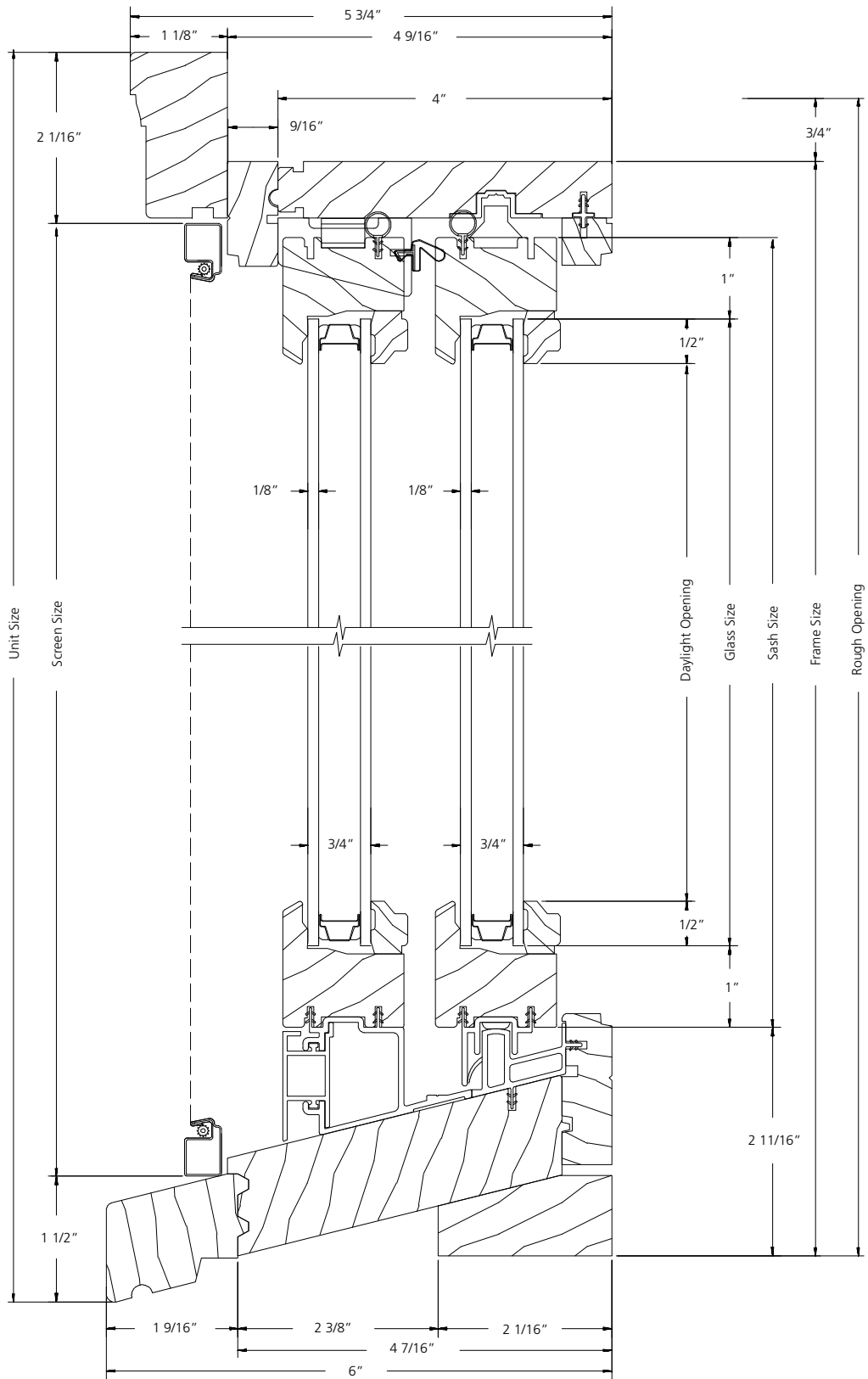
UNITS WITH NO TRIM AND SILL NOSE:
UNIT SIZE = FRAME SIZE

UNIT SIZE IS ALWAYS THE
EXTREME SIZE OF THE WINDOW
WITH OR WITHOUT TRIM

MASONRY OPENING:
MASONRY OPENING IS ALWAYS 1/2" OVER
THE UNIT SIZE OF THE WINDOW



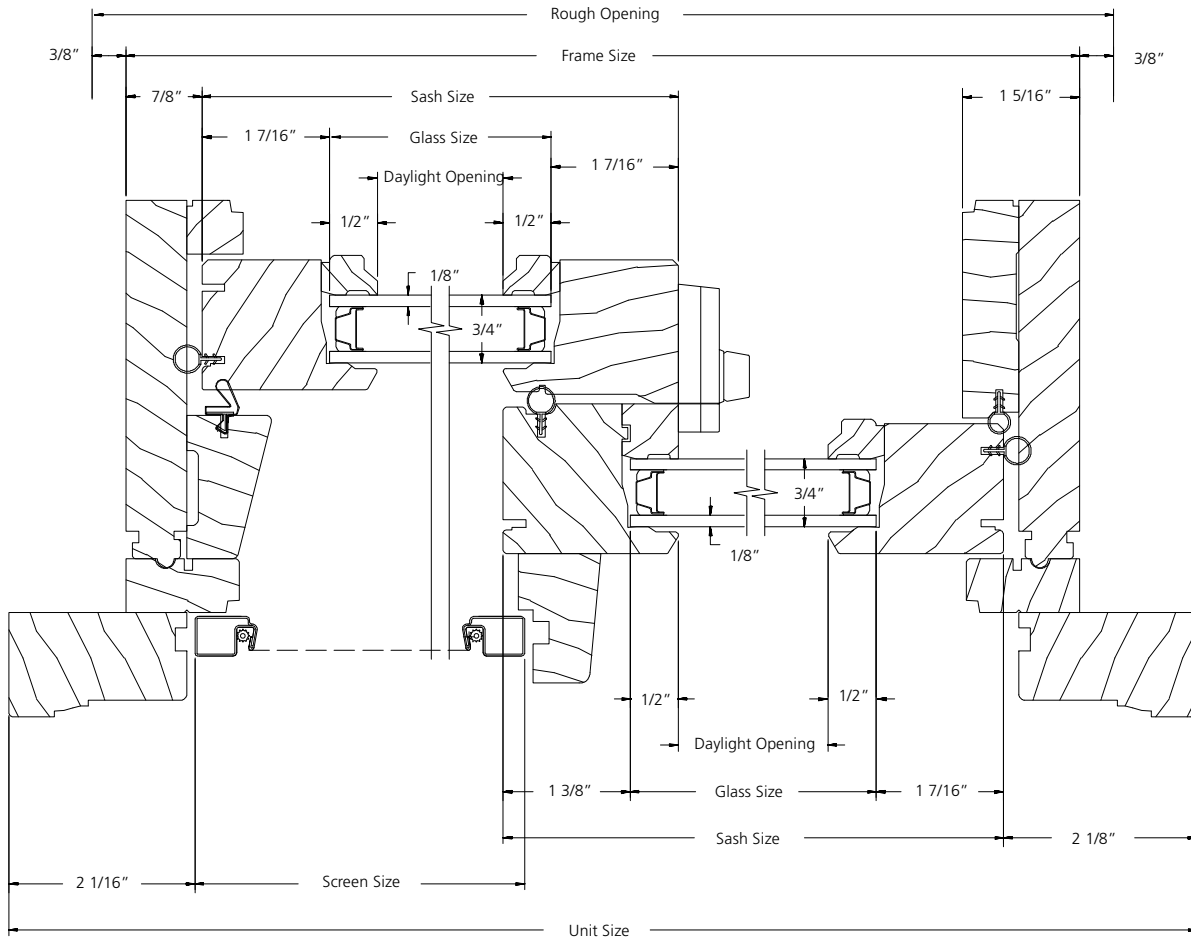
2- & 3-WIDE UNITS



VERTICAL SECTION

SCALE: 6" = 1'

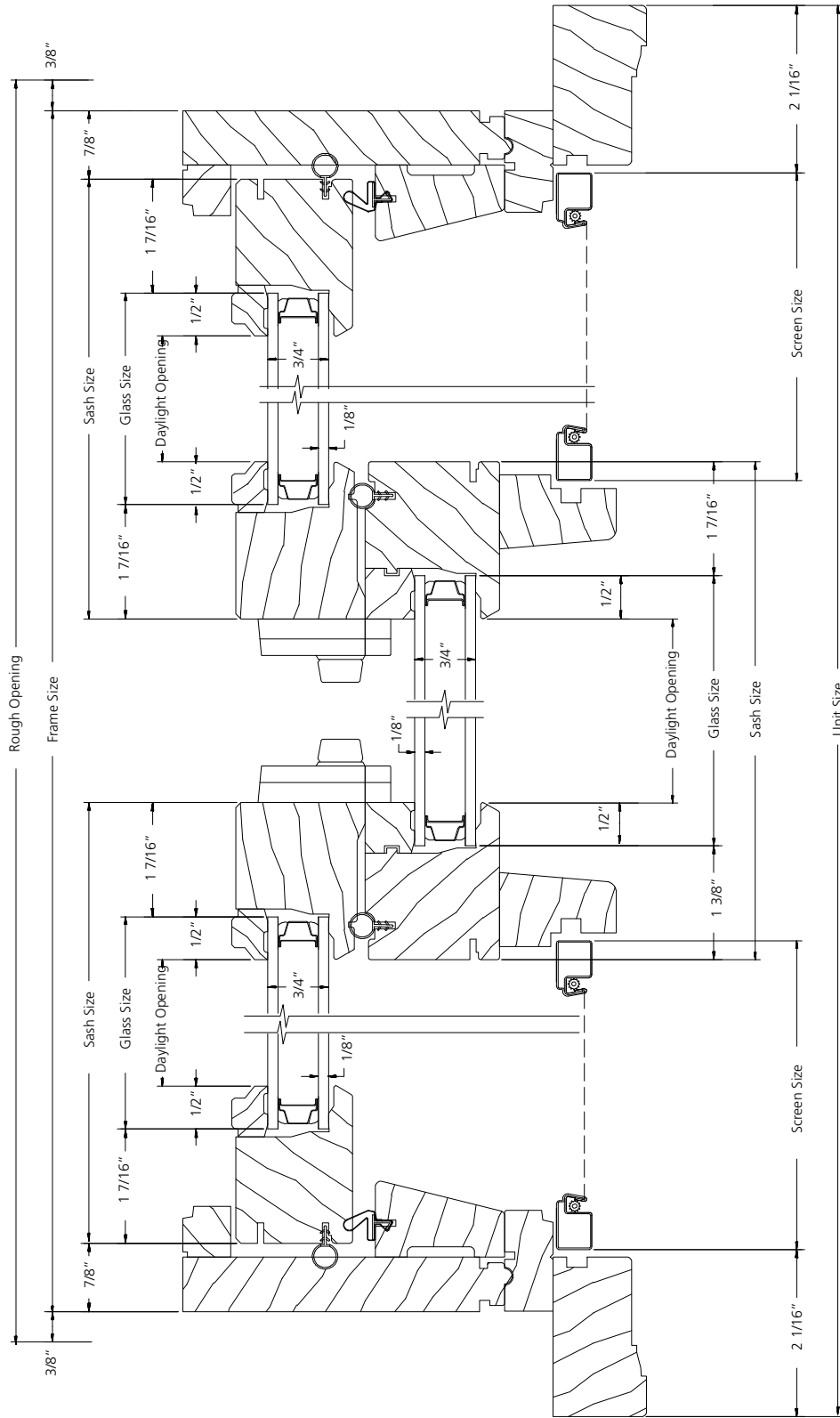
2-WIDE UNIT



HORIZONTAL SECTION

SCALE: 6" = 1'

3-WIDE UNIT



HORIZONTAL SECTION

SCALE: 6" = 1'