

---

TABLE OF CONTENTS

---

General Information .....	20-2
Elevation Notes .....	20-3
Lite Information .....	20-4
Clear Opening Information .....	20-5
Unit Sizing .....	20-6
Trim Options .....	20-7
Sill Options .....	20-8
Sections .....	20-9

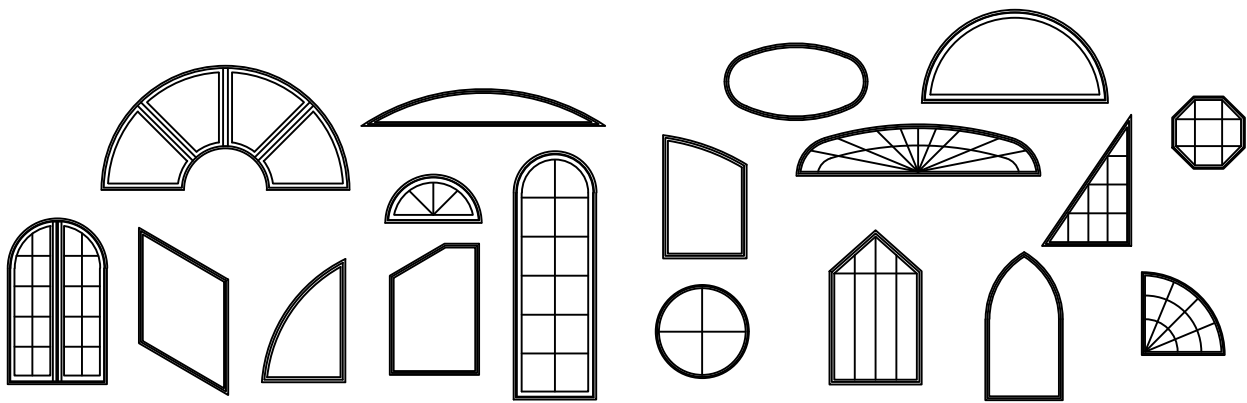
---

GENERAL INFORMATION

---

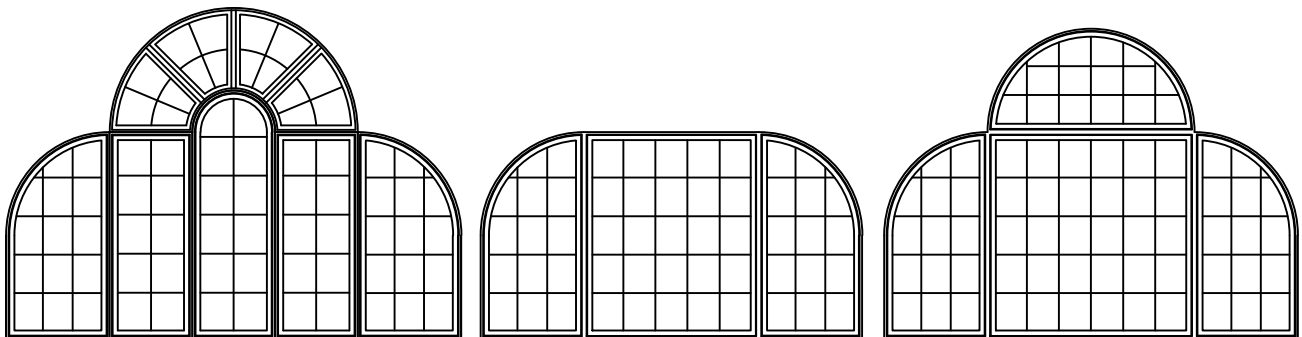
**STANDARD SIZES & DESIGNS**

Custom wood geometric windows are produced one-at-a-time to customer order, and are available in a nearly infinite range of sizes and shapes. Specified sizes, angles, and radii can be attained in finished units to meet the most demanding architectural requirements.



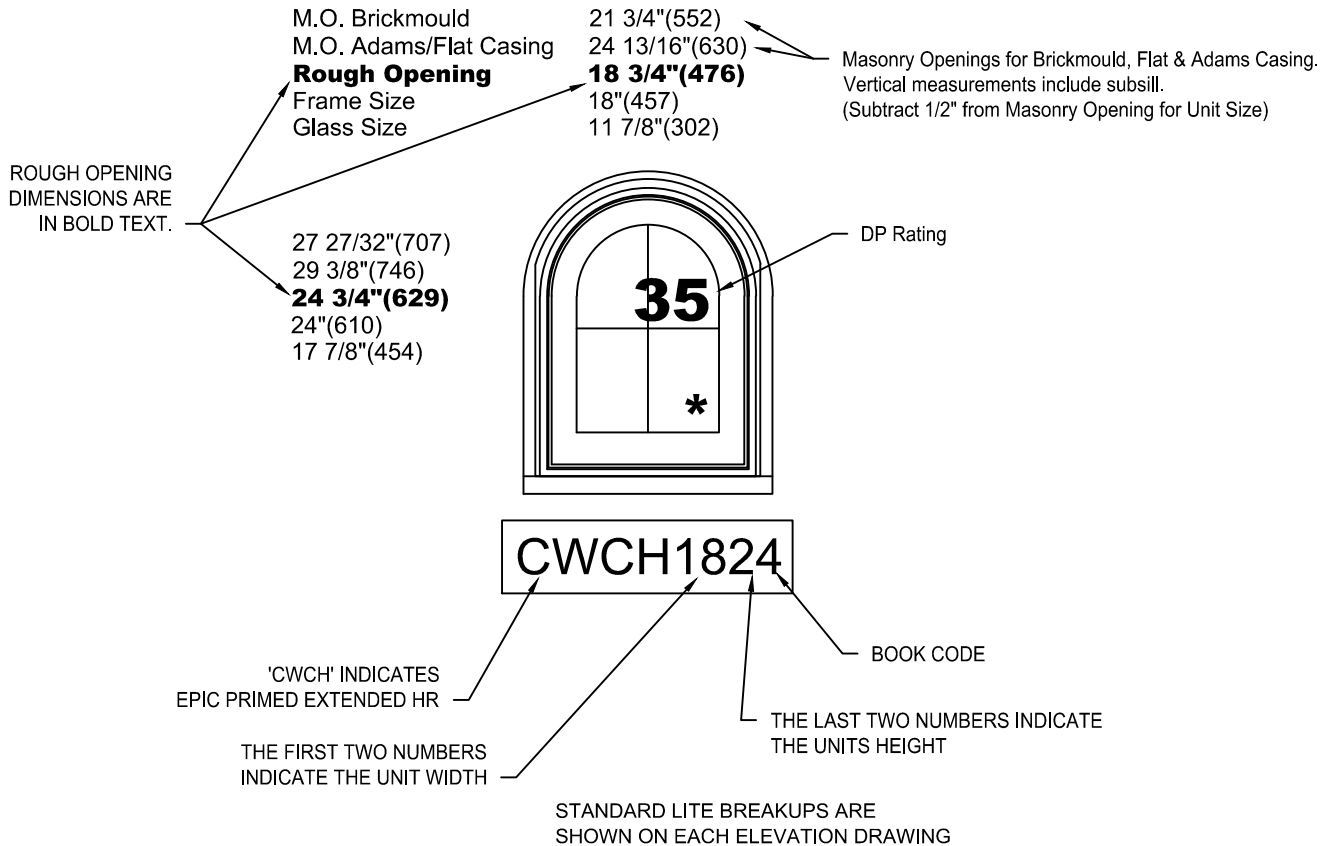
**MULTIPLE ASSEMBLIES**

Wood In Sash geometric windows may be mullied above, below, or beside other wood geometric windows, or other wood window or patio door products. Factory assembled mulls are limited in height (100"), width (150").



ELEVATION NOTES

ELEVATION DRAWINGS UTILIZE A LIMITED NUMBER OF PROJECTED LINES TO PRODUCE A RUDIMENTARY DRAWING INTENDED TO BE USED IN A SMALL GRAPHICAL SCALE. ELEVATIONS ARE VIEWED PERPENDICULAR FROM THE EXTERIOR OF THE STRUCTURE. IF MORE DIMENSIONS ARE NEEDED, USE THE SECTION DRAWINGS (Pages 14 through 20) FOR MORE COMPLETE DEPICTIONS.



**GENERAL NOTES**

1. UNIT ELEVATIONS ARE SHOWN WITHOUT EXTERIOR TRIM.
2. ELEVATION DRAWINGS SHOW STANDARD LIGHT CUTS FOR 7/8" [22] OR 1 1/8" [29] GRILLE BARS OR SIMULATED DIVIDED LITE.
3. VALUES IN BRACKETS ARE MILLIMETER CONVERSIONS.
4. HALF ROUNDS, QUARTER ROUNDS AND FULL ROUNDS ARE ONLY AVAILABLE AS STATIONARY (FIXED).

**ELEVATION SYMBOL LEGEND:**

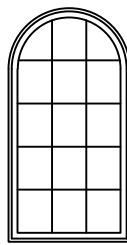
- E** BASIC UNIT CLEAR OPENING EXCEEDS 20" IN WIDTH, 24" IN HEIGHT & A MINIMUM OF 5.7 SQ. FT.
- \*** THESE UNITS ARE ONLY AVAILABLE AS STATIONARY (FIXED).
- ##** NUMBER INDICATES DESIGN PRESSURE (DP) RATING WITH STANDARD GLAZING.
- \*\*** THESE UNITS REQUIRE LIMIT DEVICE ON SASH WHEN OPERATING.

LITE CUT INFORMATION

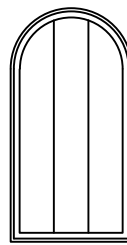
Custom wood geometric in sash windows are available with removable grilles in 7/8", 1-1/8" and 1-3/8" widths, grids between the glass, and Simulated Divided Lites. Standard lite cuts are rectangular, and conform to the layouts noted in the charts on the next page. To use the chart, refer to the appropriate table by the type of window and type of bars or grilles the section drawings illustrate. Then simply cross reference the frame Height and Width to determine the standard lite cut.

LITE CUT OPTIONS

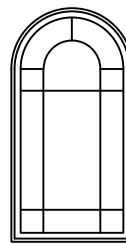
Special lite cut patterns can include a wide variety of straight line and radius patterns. The illustrations shown here represent just a few of the possibilities. Rectangular, horizontal, vertical and Prairie lite patterns are available in all standard size wood in sash geometric windows. Uneven, diamond, radius and Gothic lite cuts are available, subject to approval. Approvals are based on the ability to fulfill the design requirement while maintaining the construction integrity of the finished product.



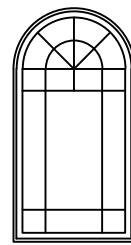
RECTANGULAR



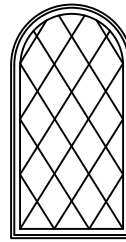
VERTICAL



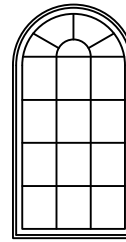
PRAIRIE



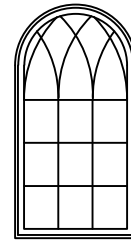
UNEVEN



DIAMOND



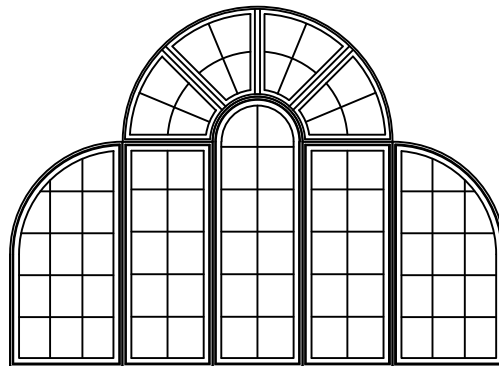
RADIUS



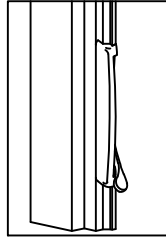
GOthic

BAR ALIGNMENT

Alignment of divided lite muntin bars from one window to the next is often required by fine architectural design. Wood grilles, grids between the glass, and Simulated Divided Lites may be specified with muntin bars aligned.

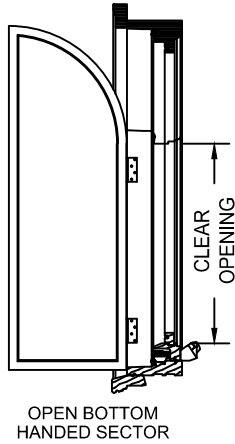


**CLEAR OPENING INFORMATION**



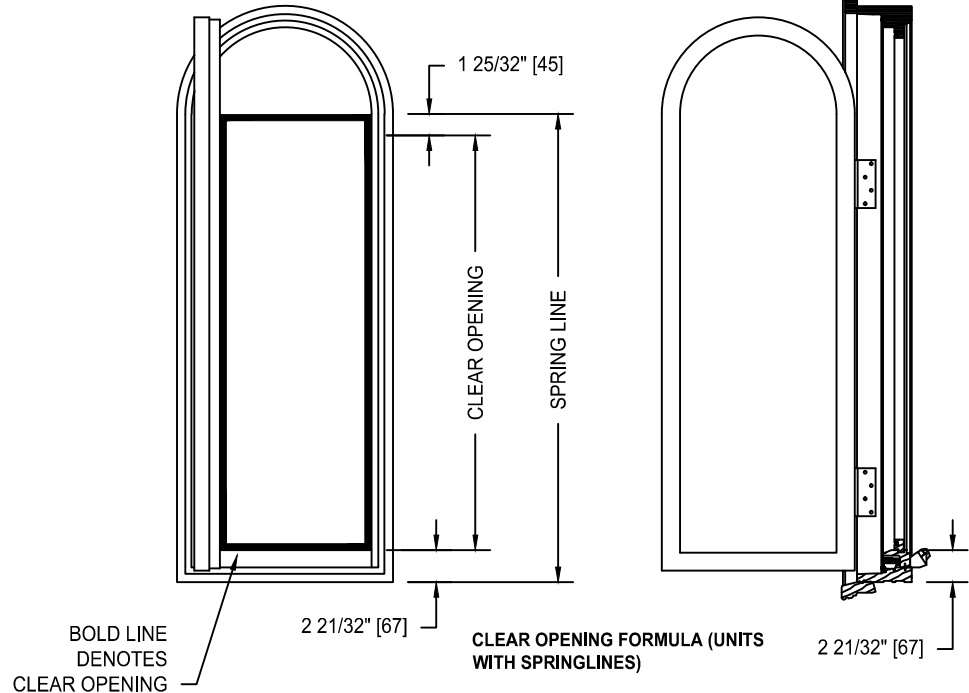
**SASH LOCK RESTRICTIONS**  
UNITS WITH A SPRINGLINE HEIGHT, OR FRAME HEIGHT FOR RECTANGULAR UNITS, OF 15" [381] OR GREATER MAY UTILIZE THE CONCEALED LOCKING SYSTEM.

**RADIUS OPERATING UNITS**



CONCEALED LOCKING SYSTEM

**VERTICAL CLEAR OPENING**



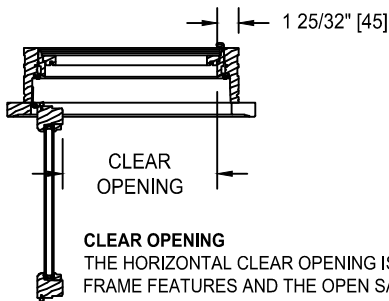
BOLD LINE DENOTES CLEAR OPENING

**CLEAR OPENING FORMULA (UNITS WITH SPRINGLINES)**

HORIZONTAL CLEAR OPENING:  
FRAME - 5 3/8" [137]

VERTICAL CLEAR OPENING:  
SPRINGLINE - 4 7/16" [113]

**HORIZONTAL CLEAR OPENING**



**CLEAR OPENING FORMULA (RECTANGULAR UNIT)**

HORIZONTAL CLEAR OPENING:  
FRAME - 5 3/8" [137]

VERTICAL CLEAR OPENING:  
FRAME - 4 7/16" [113]

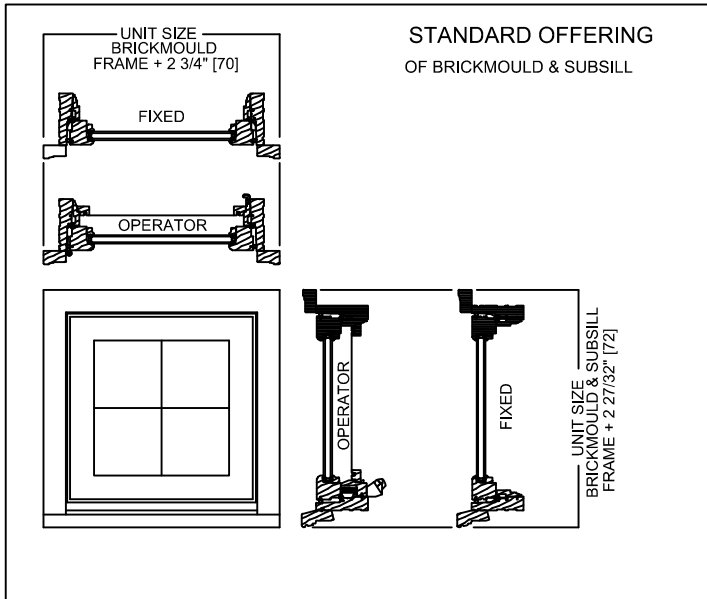
**CLEAR OPENING**

THE HORIZONTAL CLEAR OPENING IS THE UNOBSTRUCTED LINEAR DIMENSION BETWEEN FRAME FEATURES AND THE OPEN SASH. THE VERTICAL CLEAR OPENING IS THE UNOBSTRUCTED LINEAR DIMENSION BETWEEN THE OPERATOR COVER AT THE SILL AND THE POINT THE FRAME DEVIATES FROM VERTICAL (INTERIOR SPRINGLINE). THIS ASSUMES THE WINDOW IS OPEN FULLY THROUGH NORMAL OPERATION FROM THE INSIDE.

**SPRINGLINE**

THE SPRINGLINE IS THE DIMENSION FROM THE BOTTOM OF THE FRAME TO THE POINT THE FRAME DEVIATES FROM VERTICAL. ALL UNIT SPRINGLINES ARE DEFINED FROM THE OUTSIDE (WALL SIDE) OF THE FRAME, AS SHOWN ABOVE.

**UNIT SIZING, ROUGH OPENINGS & MASONRY OPENINGS**

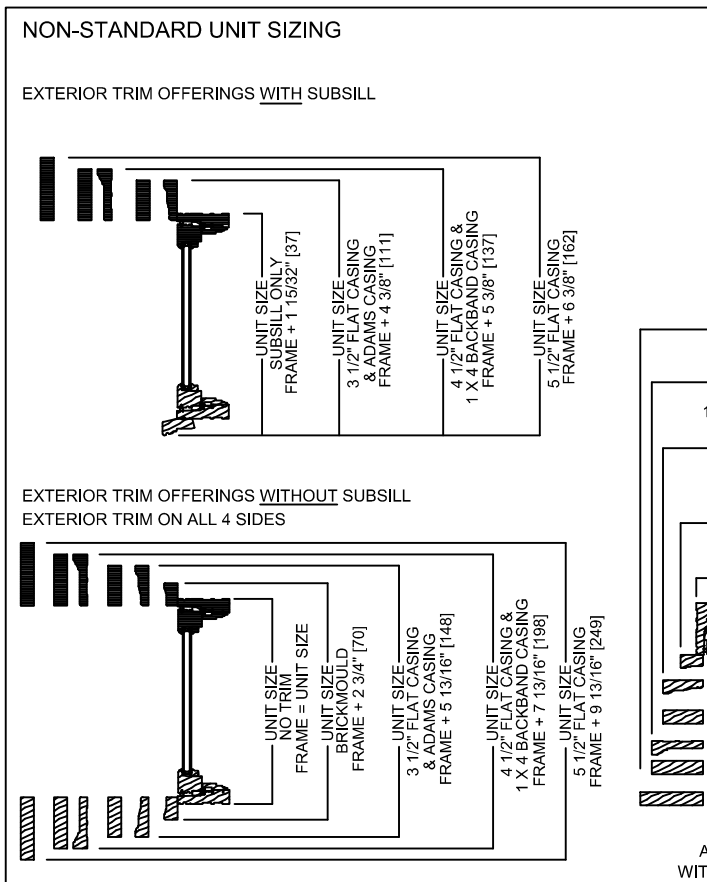
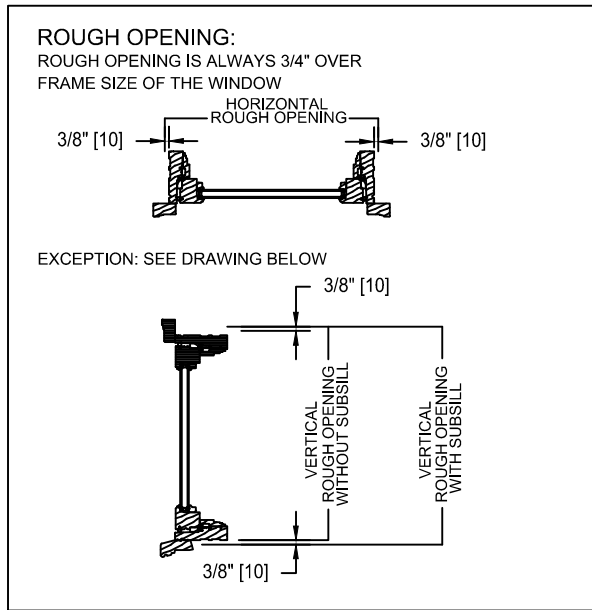


**GENERAL NOTES:**

UNITS WITH NO TRIM AND SUBSILL:  
UNIT SIZE = FRAME SIZE

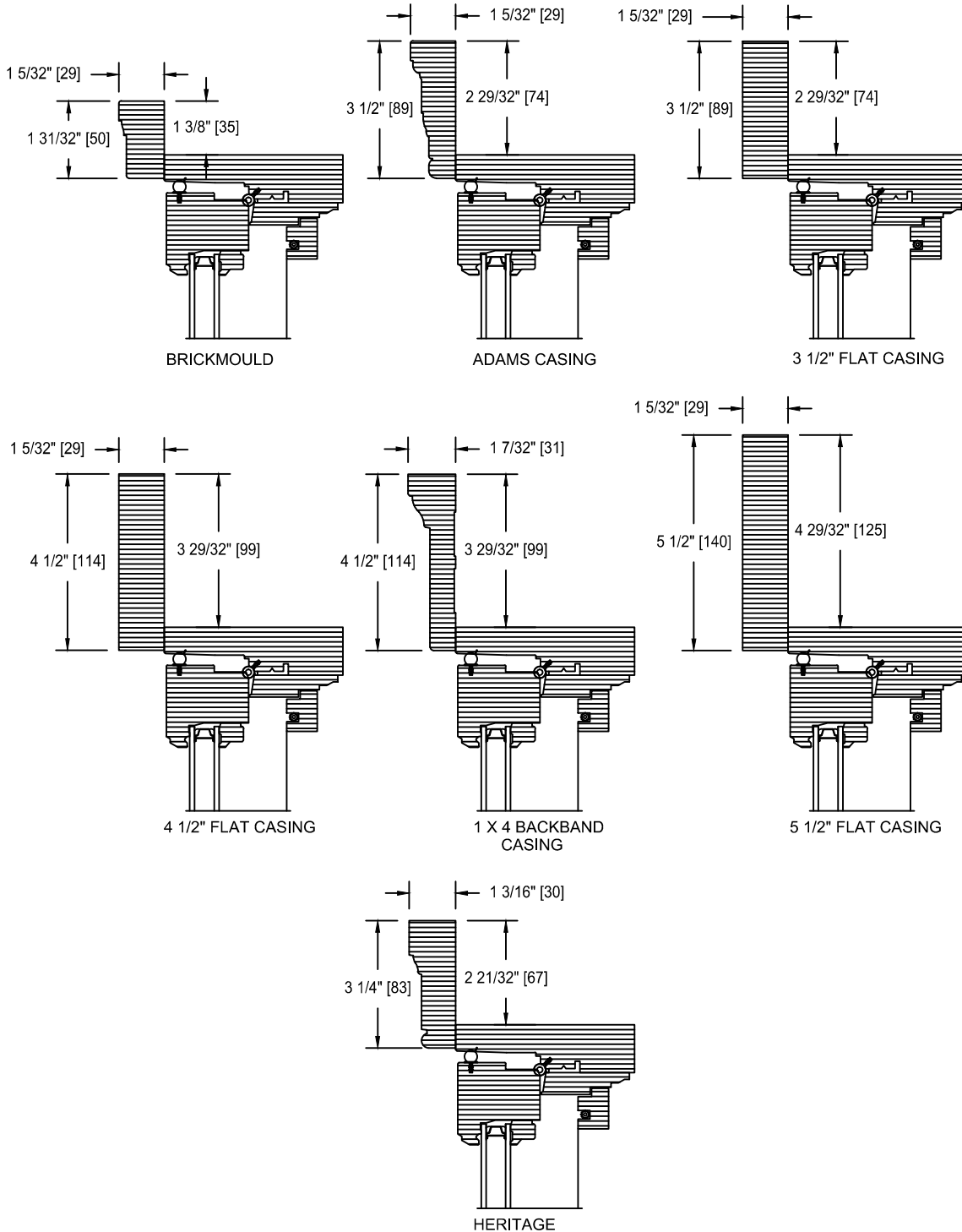
UNIT SIZE IS ALWAYS THE  
EXTREME SIZE OF THE WINDOW  
WITH OR WITHOUT TRIM

**MASONRY OPENING:**  
MASONRY OPENING IS ALWAYS 1/2" OVER  
THE UNIT SIZE OF THE WINDOW



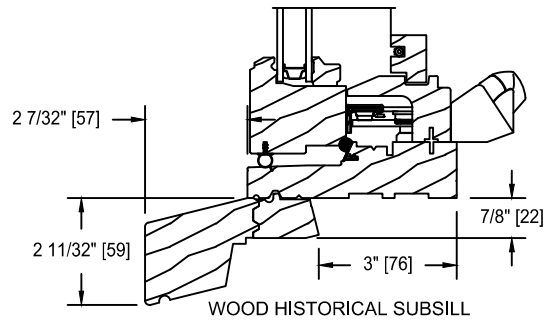
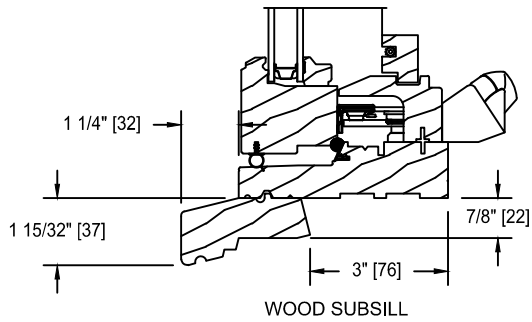
TRIM OPTIONS

WOOD EXTERIOR TRIM



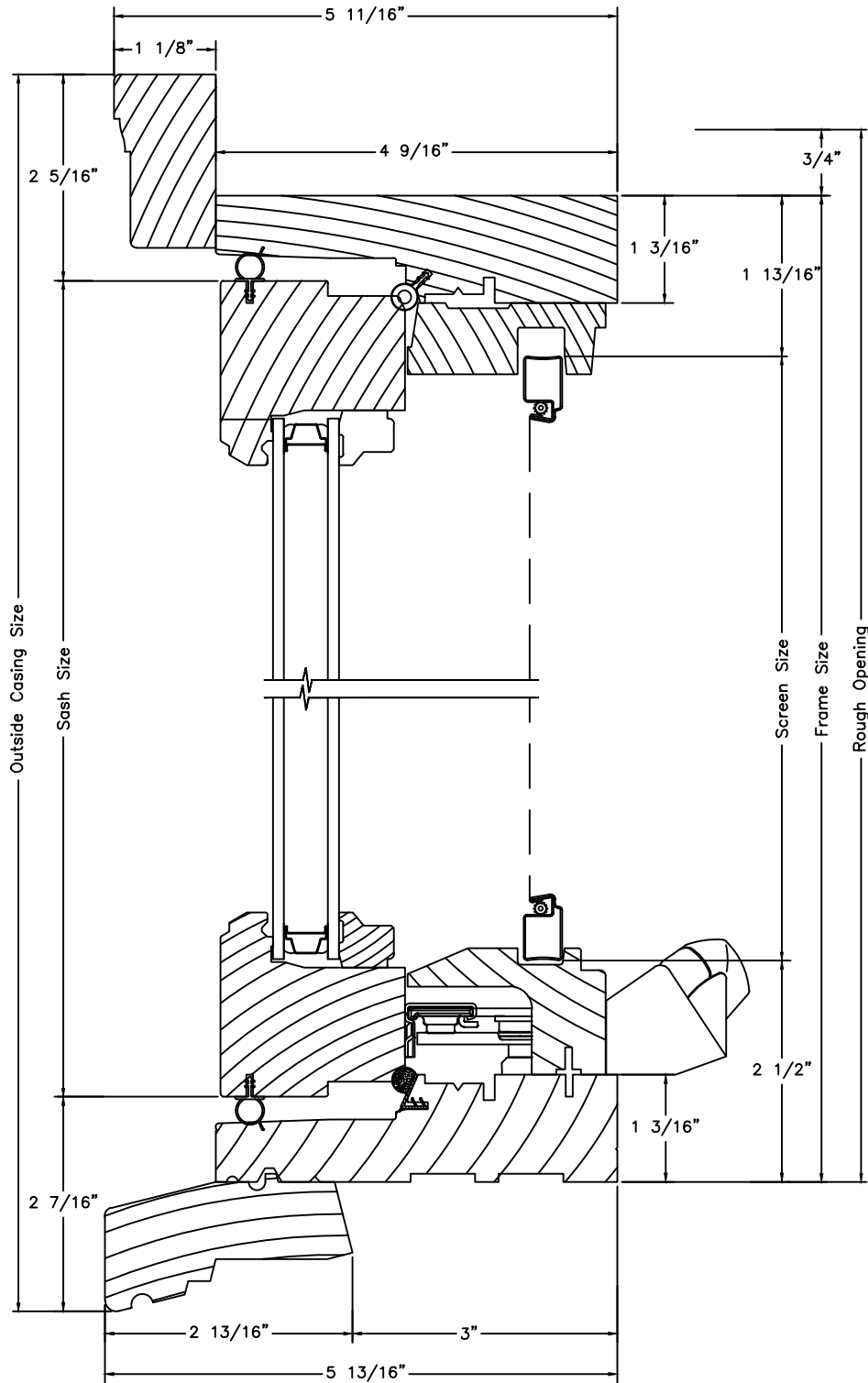
SILL OPTIONS

WOOD SUBSILL OPTIONS

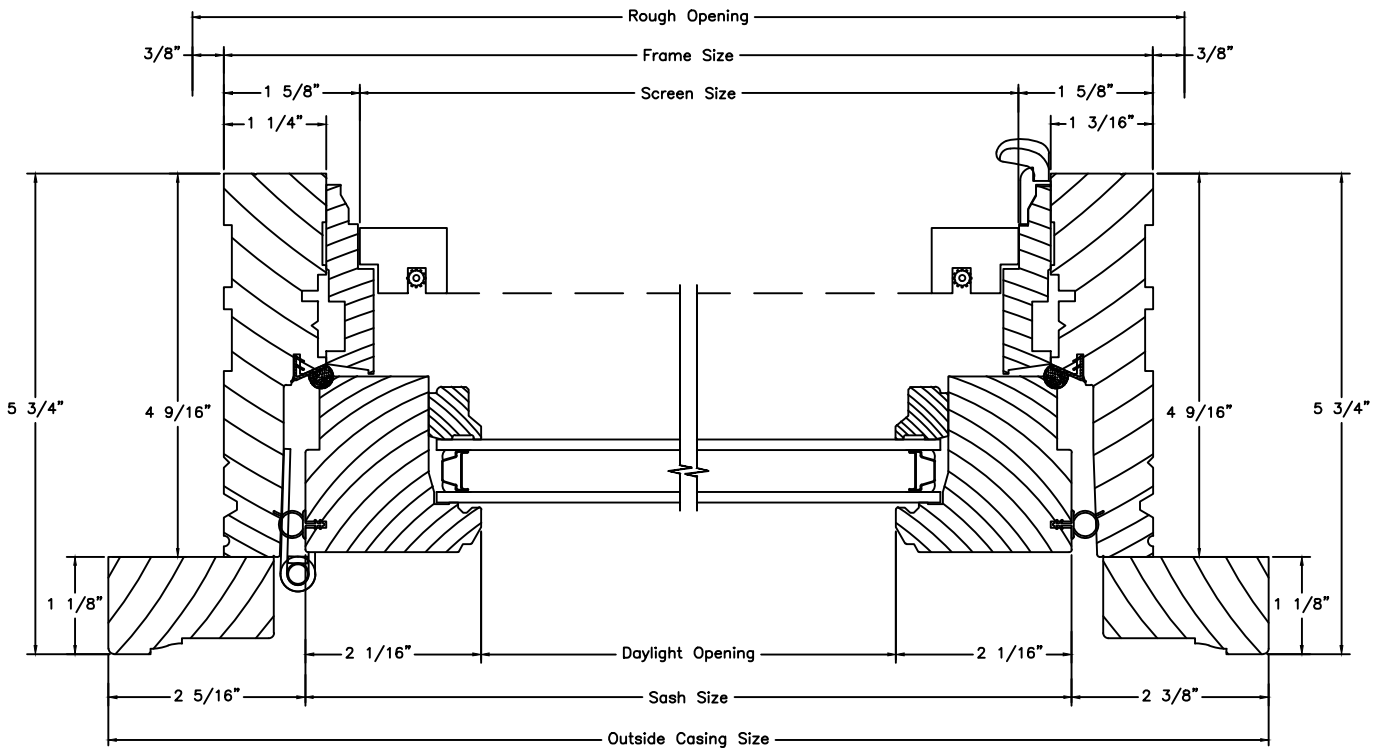




VERTICAL SECTION



HORIZONTAL SECTION  
RADIUS UNIT



VERTICAL SECTION  
RADIUS UNIT

