

TABLE OF CONTENTS

Specifications .....	8-2
Quick Spec Guide .....	8-4
General Information .....	8-6
Elevation Notes .....	8-7
Elevations/Sizes: 3/16" Scale	
1-Wide 1-High Operating and Stationary. ....	8-8
Glazing Options .....	8-12
Trim Options .....	8-15
Sill Options .....	8-16
Jamb & Stucco Trim Options .....	8-17
Mullion Details .....	8-18
Grille & SDL Patterns .....	8-19
Vent Projections .....	8-20
Unit Sizing, Rough Opening & Masonry Openings .....	8-21
Section Details: 6" Scale. ....	8-22

**PRODUCT SPECIFICATIONS****EXTERIOR FINISH**

The standard exterior is factory-applied latex primer with an option for unfinished (stain grade) natural pine exterior available.

**AURALAST® WOOD**

AuraLast® wood is fundamentally different from wood treated in traditional millwork preservation processes in that it uses a proprietary vacuum/pressure process to provide protection throughout the wood parts used to make windows and doors. AuraLast® wood is distinguished from wood using traditional preservation methods by its unique ability to achieve greater penetration of the active ingredients into the wood parts, with a minimum treatment penetration of 92%.

**INTERIOR FINISH**

Interior surfaces are unfinished clear pine ready for on-site finishing. Optional prefinished pine interiors include four acrylic colors (Moderate White, Extra White, Natural Choice, Pure White), five stains (Wheat, Cherry, Fruitwood, Cordovan, Cider) and a clear lacquer topcoat. Primed interior is also available.

**FRAME**

Frame is assembled from select kiln-dried pine AuraLast® wood on all exterior parts. Standard jamb width is 4-9/16".

**SASH**

2-3/32" thick select kiln-dried pine AuraLast® wood. Corner joints are mortised-and-tenoned, with the glass mounted into the sash using a silicone-glazing compound on the exterior and acrylic sealant on the interior, then secured with interior applied profiled wood stops. To accommodate the new nesting crank hardware, the height of the bottom rail has been increased to 2-3/32".

**GLAZING**

Insulating glass is constructed from two panes of glass, utilizing a continuous roll formed stainless steel spacer with dual seal sealant. The glass is mounted into the sash using a silicone-glazing compound and secured with interior applied profiled wood stops. All insulating glass units comply with the performance requirements of IGCC in accordance with either ASTM E774 or E2190.

**GLAZING OPTIONS**

Insulating glass available in Low-E with Argon, Low-E, Low-E 366, Clear, Neat Glass, Seedy Reamy, tinted, reflective, or obscure, tempered or other specialty glass as specified. Preserve® film is a 0.003" thick polyethylene film with a low tack acrylic adhesive applied to the glass for protection during shipping and installation. Installations at 4,000 foot elevations and higher require a capillary tube to equalize environmental stress (otherwise known as High Altitude glazing). High Altitude glazing does not allow the use of Argon as listed under glazing options.

**WEATHER-STRIPPING**

Engineered system combines foam lined bulb seal compressed between the interior of the sash and the frame in a continuous plane on all four sides with a secondary bulb seal compressed between the edge of the sash and the frame.

**HARDWARE**

Operating sash are mounted to the frame with corrosion resistant steel hinges. The operating hardware consists of hardened steel worm gears and dual action heavy gauge steel operating arms. The sash is secured with concealed type locking hardware. The interior operator cover, nesting crank handle, and locking handle standard finish options are White, Chestnut Bronze, and Desert Sand, with optional finishes in plated Polished Brass, Antique Brass, Polished Chrome, Brushed Chrome, Oil-Rubbed Bronze, Satin Nickel, and Powder Coat Black.

**INTERIOR INSECT SCREENS**

Charcoal fiberglass screen cloth (18x16 mesh) set in painted roll formed aluminum frame fitted to the inside of the window with all necessary hardware, in White, Chestnut Bronze or Desert Sand finishes. Wood veneer wrapped screen frames and Phantom screens are available in Ponderosa Pine. Insect screens are intended to allow air and light in and to keep insects out. They are not intended to keep anyone or anything from falling through an open window. For safety screens or other security devices contact your local building supply retailer.

**GRILLES**

**SDL** (Simulated Divided Lites) - extruded aluminum muntins permanently applied to the exterior of the insulating glass unit (not available on textured glass) in 5/8", 7/8", 1-1/8", or 1-3/8" widths. Profiles are bead stop in all widths, and a putty profile in 5/8", 7/8", and 1-1/8" widths only. 1" Copper SDL is also available. SDL is standard with a light bronze internal shadow bar to give a true divided lite appearance. As an option, SDL may be ordered with a silver shadow bar. Clear wood interior muntin bars match the exterior muntin width and are permanently bonded to the interior of the glass. Also available is a 2-5/16" SDL bar, which simulates a double-hung checkrail.

**PDL** (Precise Divided Lites) - Wood or extruded aluminum muntins permanently applied to the exterior of the insulating unit (not available on textured glass) in 3/4" and 1-1/2" widths.

**Full-Surround Removable Wood Grilles** - Rectangular, unfinished interior clear pine wood grilles in 7/8", 1-1/8", and 1-3/8" are available in patterns selected by the owner.

**GBG** (Grilles between the Glass) - 5/8" (15.9mm) flat and 23/32" or 1" contour mounted between the glass panes suspended within the air cavity.

**EXTERIOR TRIM**

Brickmould standard with optional 3-1/2", 4-1/2", 5-1/2" flat trim, 3-1/2" Adams and 1 x 4 Backband trim. Optional mull covers to accommodate 1" (spread only), 2", 3-1/2" and 6" spread and stud pocket mull.

**EXTENSION JAMBS**

Extensions are applied to the interior on all four sides of the frame in wall depths up to 9-1/8" for 4/4 and up to 13-11/16" for 5/4, factory applied.

*Continued on next page*

---

**PRODUCT SPECIFICATIONS**

---

**INSTALLATION**

Installation per JELD-WEN Installation Method for Wood Windows.  
See [www.jeld-wen.com/resources](http://www.jeld-wen.com/resources) for instructions.

**PERFORMANCE**

**NFRC Certified** - (rated and labeled in accordance with NFRC 100 and 200 procedures)

**ANSI/AAMA/NWDA/101/I.S.2-97**  
**AMMA/WDMA/CSA 101/I.S.2/A440-05**  
**WDMA Hallmark Certified**

See [www.jeld-wen.com](http://www.jeld-wen.com) for architectural and performance information.

**QUICK SPEC GUIDE**

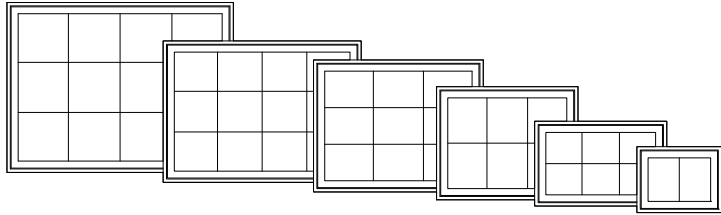
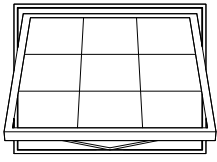
SPECIFICATION	STANDARD FEATURES	OPTIONAL FEATURES <i>Some options may require additional lead times. Consult your JELD-WEN Sales Representative.</i>
<b>EXTERIOR FINISH</b>	<ul style="list-style-type: none"> <li>• Primed</li> </ul>	<ul style="list-style-type: none"> <li>• Natural</li> <li>• Vertical Grain Douglas Fir</li> <li>• Mahogany</li> </ul>
		<p>Sash Only:</p> <ul style="list-style-type: none"> <li>• Bright Copper* <span style="float: right;"><i>*Copper is only available when ordered with a clad sash</i></span></li> <li>• Speckled Patina Copper</li> <li>• Hand Rubbed Patina Copper (sash only)</li> </ul>
<b>EXTERIOR TRIM</b>	<ul style="list-style-type: none"> <li>• Brickmould &amp; Subsill</li> </ul>	<ul style="list-style-type: none"> <li>• Adams Casing</li> <li>• 3-1/2" Flat Casing</li> <li>• 4-1/2" Flat Casing</li> <li>• 5-1/2" Flat Casing</li> <li>• 1x4 Backband</li> <li>• Extended Sill Nose</li> </ul>
<b>INTERIOR WOOD</b>	<ul style="list-style-type: none"> <li>• Western Pine</li> </ul>	<ul style="list-style-type: none"> <li>• Vertical Grain Douglas Fir</li> <li>• Mahogany</li> </ul>
<b>INTERIOR FINISH</b>	<ul style="list-style-type: none"> <li>• Natural</li> </ul>	<ul style="list-style-type: none"> <li>• Priming Available</li> <li>Pre-finished Interior Options are: <ul style="list-style-type: none"> <li>• Paint - Pure White, Extra White, Natural Choice, Moderate White</li> <li>• Stain - Wheat, Fruitwood, Cherry, Cordovan, Cider</li> <li>• Clear Lacquer</li> </ul> </li> </ul>
<b>SIZE</b>	<ul style="list-style-type: none"> <li>• Width: 18, 20, 24, 28, 30, 32, 36, 40, 42, 48, 54, 56, 60, 66, 72</li> <li>• Height: 14, 18, 20, 24, 28, 30, 32, 36, 40, 42, 48</li> </ul>	<ul style="list-style-type: none"> <li>• Any Width: 18 to 72</li> <li>• Any Height: 14 to 48</li> </ul>
<b>GLAZING</b>	<ul style="list-style-type: none"> <li>• Low-E Insulating Glass (with Argon)</li> <li>• Low-E 366</li> <li>• Preserve® Protective Film</li> </ul>	<ul style="list-style-type: none"> <li>• Clear</li> <li>• Obscure</li> <li>• Reflective</li> <li>• Tints: Bronze, Gray, Green</li> <li>• Glue Chip</li> <li>• Safety Laminate in Clear, Bronze or Gray</li> <li>• Neat Glass</li> <li>• Seedy Reamy</li> <li>• Rain</li> <li>• Narrow Reed</li> <li>• Sandblasted</li> <li>• Tempered</li> <li>• Impact Resistant</li> </ul>
		<ul style="list-style-type: none"> <li>• High Altitude (Breather Tube, no Argon)</li> </ul>
<b>GRILLES</b>		<p>SDL Bead Profile:</p> <ul style="list-style-type: none"> <li>• 5/8", 7/8", 1-1/8", 1-3/8", 2-5/16" with Light Bronze Shadow Bar</li> <li>• 5/8", 7/8", 1-1/8", 1-3/8", 2-5/16" with Silver Shadow Bar</li> </ul> <p>SDL Putty Profile:</p> <ul style="list-style-type: none"> <li>• 5/8", 7/8" and 1-1/8" with Light Bronze Shadow Bar</li> <li>• 5/8", 7/8" and 1-1/8" with Silver Shadow Bar</li> </ul> <ul style="list-style-type: none"> <li>• 1" Copper SDL</li> </ul> <p>PDL:</p> <ul style="list-style-type: none"> <li>• 3/4" or 1-1/2" Precise Divided Lite</li> </ul> <p>GBG (Grilles between the Glass):</p> <ul style="list-style-type: none"> <li>• 5/8" Flat, 23/32" Contour, 1" Contour</li> </ul> <p>Full-Surround:</p> <ul style="list-style-type: none"> <li>• 7/8", 1-1/8", 1-3/8"</li> </ul>

*Continued on next page*

QUICK SPEC GUIDE

SPECIFICATION	STANDARD FEATURES	<b>OPTIONAL FEATURES</b> <i>Some options may require additional lead times. Consult your JELD-WEN Sales Representative.</i>
<b>HARDWARE</b>	<ul style="list-style-type: none"> <li>• Nesting Handle</li> <li>• Concealed Locking System</li> </ul>	
<b>HARDWARE COLOR</b>	<ul style="list-style-type: none"> <li>• White</li> <li>• Chestnut Bronze</li> <li>• Desert Sand</li> </ul>	<ul style="list-style-type: none"> <li>• Polished Brass</li> <li>• Antique Brass</li> <li>• Polished Chrome</li> </ul> <ul style="list-style-type: none"> <li>• Brushed Chrome</li> <li>• Oil-Rubbed Bronze</li> </ul>
<b>JAMB</b>	<ul style="list-style-type: none"> <li>• Applied, 5/4</li> <li>• 4-9/16"</li> </ul>	<ul style="list-style-type: none"> <li>• Up to 9-1/8" 4/4</li> <li>• Up to 13-11/16" 5/4</li> </ul>
<b>INSECT SCREENS</b>	<ul style="list-style-type: none"> <li>• Fiberglass</li> </ul>	<ul style="list-style-type: none"> <li>• Phantom Screen and wood veneer wrapped screens available in Pine, Vertical Grain, Knotty Alder, and Mahogany</li> </ul>
<b>SCREEN FRAME COLOR</b>	<ul style="list-style-type: none"> <li>• White</li> <li>• Chestnut Bronze</li> <li>• Desert Sand</li> </ul>	Wood Veneer (Interior) <ul style="list-style-type: none"> <li>• Ponderosa Pine</li> <li>• Vertical Grain Douglas Fir</li> <li>• Mahogany</li> <li>• Knotty Alder</li> </ul>

GENERAL INFORMATION



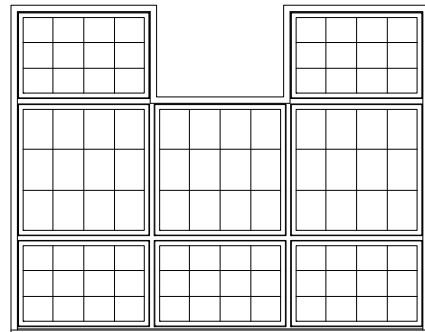
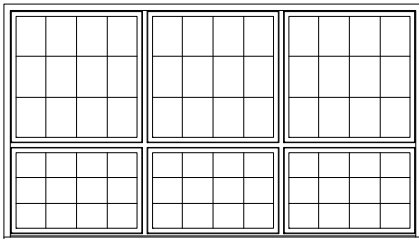
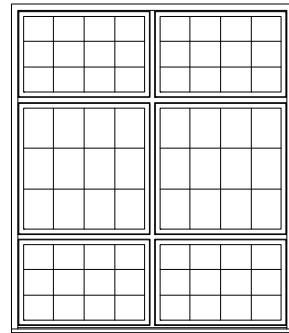
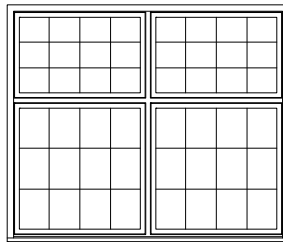
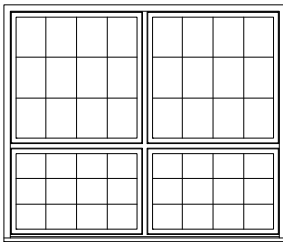
**DIMENSIONAL WINDOWS**

Wood awning windows may be specified as "dimensional" by adjusting the desired rough opening width or height in 1/16" increments from standard.

Wood awning windows are available as operating or stationary (non - venting). Operating mechanism includes corrosion resistant steel hinges and roto type operators for venting units. Sash locks are concealed unison type with an exposed locking lever and escutcheon plate. There are several interior hardware finish options. Refer to the Specifications for finish options.

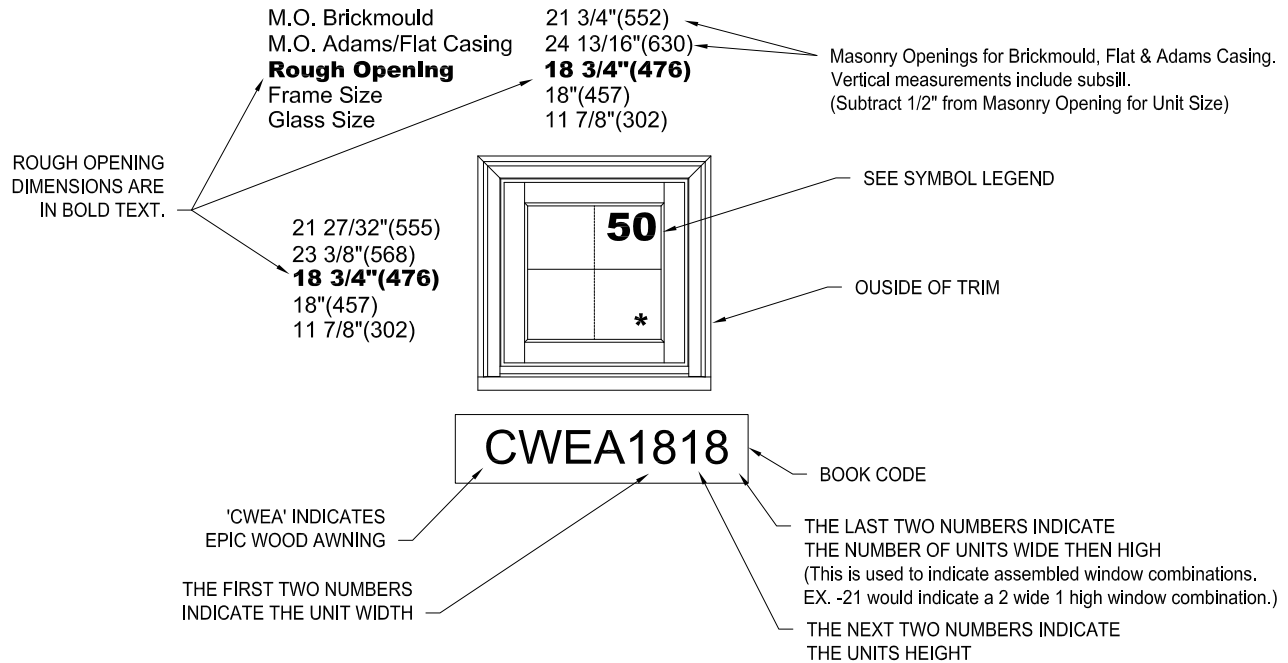
**MULTIPLE ASSEMBLIES**

Wood awning windows may be mullied above, below, or beside other wood awning windows, or other wood window products. Factory assembled mulls are limited in height (100"), width (150"), and a total area of 75 square feet.



ELEVATIONS NOTES

ELEVATION DRAWINGS UTILIZE A LIMITED NUMBER OF PROJECTED LINES TO PRODUCE A RUDIMENTARY DRAWING INTENDED TO BE USED IN A SMALL GRAPHICAL SCALE. ELEVATIONS ARE VIEWED PERPENDICULAR FROM THE EXTERIOR OF THE STRUCTURE. IF MORE DIMENSIONS ARE NEEDED, USE THE SECTION DRAWINGS FOR MORE COMPLETE DEPICTIONS.



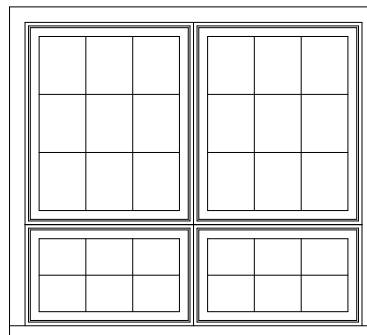
WOOD AWNING PICTURE COMBINATIONS

GENERAL AWNING NOTES

1. EPIC WOOD AWNING (CWEA) UNITS ARE AVAILABLE AS OPERATING OR FIXED UNITS.
2. UNIT ELEVATIONS ARE SHOWN WITH BRICKMOULD AND SUBSILL.
3. DIMENSIONAL VALUES IN BRACKETS ARE MILLIMETER CONVERSIONS.

ELEVATION SYMBOL LEGEND:

- \* THESE UNITS ARE ONLY AVAILABLE AS FIXED (STATIONARY) UNITS.
- ## NUMBER INDICATES DESIGN PRESSURE (DP) RATING WITH STANDARD GLAZING. OPERATING UNITS UTILIZE A CONCEALED LOCKING SYSTEM FOR DP RATINGS.



CWEA30[36]18

THE THIRD AND FOURTH NUMBERS OF THE BOOK CODE INDICATE THE PICTURE UNIT HEIGHT.

**ELEVATIONS**  
**SINGLE UNITS**

MO BRICKMOLD MO FLAT CASING ROUGH OPENING FRAME SIZE DAYLIGHT OPENING	21 1/4"(540) 24 5/16"(618) 18 3/4"(476) 18"(457) 11 7/8"(302)	23 1/4"(591) 26 5/16"(668) 20 3/4"(527) 20"(508) 13 7/8"(352)	27 1/4"(692) 30 5/16"(770) 24 3/4"(629) 24"(610) 17 7/8"(454)	31 1/4"(794) 34 5/16"(872) 28 3/4"(730) 28"(711) 21 7/8"(556)	33 1/4"(845) 36 5/16"(922) 30 3/4"(781) 30"(762) 23 7/8"(606)	35 1/4"(895) 38 5/16"(973) 32 3/4"(832) 32"(813) 25 7/8"(657)	39 1/4"(997) 42 5/16"(1075) 36 3/4"(933) 38"(914) 29 7/8"(759)
17 11/32"(441) 18 7/8"(479) 14 3/4"(375) 14"(356) 7 7/8"(200)							
	CWEA1814	CWEA2014	CWEA2414	CWEA2814	CWEA3014	CWEA3214	CWEA3614
21 11/32"(542) 22 7/8"(581) 18 3/4"(476) 18"(457) 11 7/8"(302)							
	CWEA1818	CWEA2018	CWEA2418	CWEA2818	CWEA3018	CWEA3218	CWEA3618
23 11/32"(593) 24 7/8"(632) 20 3/4"(527) 20"(508) 13 7/8"(352)							
	CWEA1820	CWEA2020	CWEA2420	CWEA2820	CWEA3020	CWEA3220	CWEA3620
27 11/32"(695) 28 7/8"(733) 24 3/4"(629) 24"(610) 17 7/8"(454)							
	CWEA1824	CWEA2024	CWEA2424	CWEA2824	CWEA3024	CWEA3224	CWEA3624
31 11/32"(796) 32 7/8"(835) 28 3/4"(730) 28"(711) 21 7/8"(556)							
	CWEA1828	CWEA2028	CWEA2428	CWEA2828	CWEA3028	CWEA3228	CWEA3628
33 11/32"(847) 34 7/8"(886) 30 3/4"(781) 30"(762) 23 7/8"(606)							
	CWEA1830	CWEA2030	CWEA2430	CWEA2830	CWEA3030	CWEA3230	CWEA3630
35 11/32"(898) 36 7/8"(937) 32 3/4"(832) 32"(813) 25 7/8"(657)							
	CWEA1832	CWEA2032	CWEA2432	CWEA2832	CWEA3032	CWEA3232	CWEA3632
39 11/32"(999) 40 7/8"(1038) 36 3/4"(933) 36"(914) 29 7/8"(759)							
	CWEA1836	CWEA2036	CWEA2436	CWEA2836	CWEA3036	CWEA3236	CWEA3636
43 11/32"(1101) 44 7/8"(1140) 40 3/4"(1035) 40"(1016) 33 7/8"(860)							
	CWEA1840	CWEA2040	CWEA2440	CWEA2840	CWEA3040	CWEA3240	CWEA3640
45 11/32"(1152) 46 7/8"(1191) 42 3/4"(1086) 42"(1067) 35 7/8"(911)							
	CWEA1842	CWEA2042	CWEA2442	CWEA2842	CWEA3042	CWEA3242	CWEA3642

**ELEVATION SYMBOL LEGEND:**  
M.O. = MASORNY OPENING  
VALUES IN ( ) ARE IN MILLIMETER CONVERSIONS  
## NUMBER INDICATES PERFORMANCE GRADE (PG) RATING WITH STANDARD GLAZING



**ELEVATIONS**  
**SINGLE UNITS**

MO BRICKMOLD  
MO FLAT CASING  
ROUGH OPENING  
FRAME SIZE  
DAYLIGHT OPENING

43 1/4"(1099)  
46 5/16"(1176)  
40 3/4"(1035)  
40"(1016)  
33 7/8"(860)

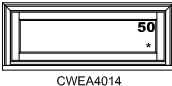
45 1/4"(1149)  
48 5/16"(1227)  
42 3/4"(1086)  
42"(1067)  
35 7/8"(911)

51 1/4"(1302)  
54 5/16"(1380)  
48 3/4"(1238)  
48"(1219)  
41 7/8"(1064)

57 1/4"(1454)  
60 5/16"(1532)  
54 3/4"(1391)  
54"(1372)  
47 7/8"(1216)

59 1/4"(1505)  
62 5/16"(1583)  
56 3/4"(1441)  
56"(1422)  
49 7/8"(1267)

17 11/32"(441)  
18 7/8"(479)  
14 3/4"(476)  
14"(356)  
7 7/8"(200)



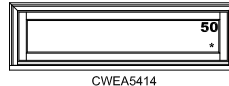
CWEA4014



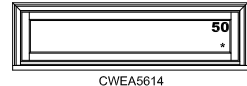
CWEA4214



CWEA4814

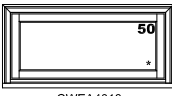


CWEA5414

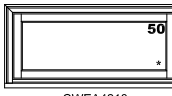


CWEA5614

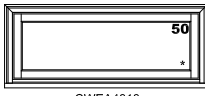
21 11/32"(542)  
22 7/8"(581)  
18 3/4"(476)  
18"(457)  
11 7/8"(302)



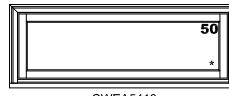
CWEA4018



CWEA4218



CWEA4818



CWEA5418



CWEA5618

23 11/32"(593)  
24 7/8"(632)  
20 3/4"(527)  
20"(508)  
13 7/8"(352)



CWEA4020



CWEA4220



CWEA4820

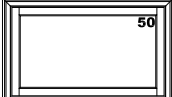


CWEA5420

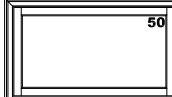


CWEA5620

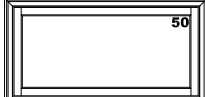
27 11/32"(695)  
28 7/8"(733)  
24 3/4"(629)  
24"(610)  
17 7/8"(454)



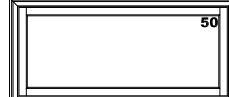
CWEA4024



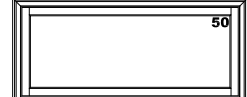
CWEA4224



CWEA4824



CWEA5424



CWEA5624

31 11/32"(796)  
32 7/8"(835)  
28 3/4"(730)  
28"(711)  
21 7/8"(556)



CWEA4028



CWEA4228



CWEA4818



CWEA5428

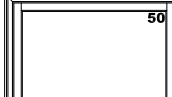


CWEA5628

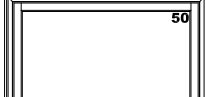
33 11/32"(847)  
34 7/8"(886)  
30 3/4"(781)  
30"(762)  
23 7/8"(606)



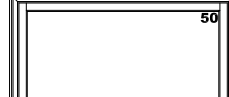
CWEA4030



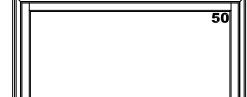
CWEA4230



CWEA4830



CWEA5430



CWEA5630

35 11/32"(898)  
36 7/8"(937)  
32 3/4"(832)  
32"(813)  
25 7/8"(657)



CWEA4032



CWEA4232



CWEA4832



CWEA5432



CWEA5632

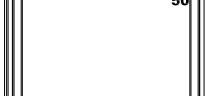
39 11/32"(999)  
40 7/8"(1038)  
36 3/4"(933)  
36"(914)  
29 7/8"(759)



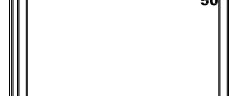
CWEA4036



CWEA4236



CWEA4836



CWEA5436



CWEA5636

43 11/32"(1101)  
44 7/8"(1140)  
40 3/4"(1035)  
40"(1016)  
33 7/8"(860)



CWEA4040



CWEA4240



CWEA4840



CWEA5440



CWEA5640

45 11/32"(1152)  
46 7/8"(1191)  
42 3/4"(1086)  
42"(1067)  
35 7/8"(911)



CWEA4042



CWEA4242



CWEA4842



CWEA5442



CWEA5642

**ELEVATION SYMBOL LEGEND:**

M.O. = MASORNY OPENING

VALUES IN ( ) ARE IN MILLIMETER CONVERSIONS

## NUMBER INDICATES PERFORMANCE GRADE (PG) RATING WITH STANDARD GLAZING

**ELEVATIONS**  
**SINGLE UNITS**

MO BRICKMOLD  
MO FLAT CASING  
ROUGH OPENING  
FRAME SIZE  
DAYLIGHT OPENING

63 1/4"(1607)  
66 5/16"(1684)  
60 3/4"(1543)  
60"(1524)  
53 7/8"(1388)

69 1/4"(1759)  
72 5/16"(1837)  
66 3/4"(1695)  
66"(1678)  
59 7/8"(1521)

75 1/4"(1911)  
78 5/16"(1989)  
72 3/4"(1848)  
72"(1829)  
65 7/8"(1673)

17 11/32"(441)  
18 7/8"(479)  
14 3/4"(375)  
14"(356)  
7 7/8"(200)



CWEA6014



CWEA6614



CWEA7214

21 11/32"(542)  
22 7/8"(581)  
18 3/4"(476)  
18"(457)  
11 7/8"(302)



CWEA6018



CWEA6618



CWEA7218

23 11/32"(693)  
24 7/8"(632)  
20 3/4"(527)  
20"(508)  
13 7/8"(352)



CWEA6020



CWEA6620



CWEA7220

27 11/32"(695)  
28 7/8"(733)  
24 3/4"(629)  
24"(610)  
17 7/8"(454)



CWEA6024

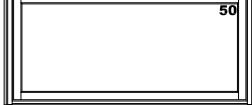


CWEA6624

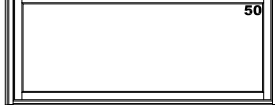


CWEA7224

31 11/32"(796)  
32 7/8"(835)  
28 3/4"(730)  
28"(711)  
21 7/8"(556)



CWEA6028



CWEA6628



CWEA7228

33 11/32"(847)  
34 7/8"(886)  
30 3/4"(781)  
30"(762)  
23 7/8"(606)



CWEA6030



CWEA6630



CWEA7230

35 11/32"(898)  
36 7/8"(937)  
32 3/4"(832)  
32"(813)  
25 7/8"(657)



CWEA6032



CWEA6632



CWEA7232

39 11/32"(999)  
40 7/8"(1038)  
36 3/4"(933)  
36"(914)  
29 7/8"(759)



CWEA6036

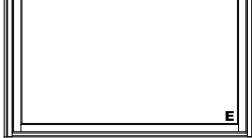


CWEA6636



CWEA7236

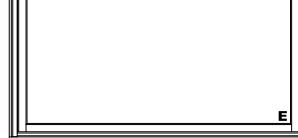
43 11/32"(1101)  
44 7/8"(1140)  
40 3/4"(1035)  
40"(1016)  
33 7/8"(860)



CWEA6040



CWEA6640



CWEA7240

45 11/32"(1152)  
46 7/8"(1191)  
42 3/4"(1086)  
42"(1067)  
35 7/8"(911)



CWEA6042



CWEA6642



CWEA7242

**ELEVATION SYMBOL LEGEND:**

M.O. = MASORNY OPENING  
VALUES IN ( ) ARE IN MILLIMETER CONVERSIONS  
## NUMBER INDICATES PERFORMANCE GRADE (PG) RATING WITH STANDARD GLAZING

**ELEVATIONS**  
**SINGLE UNITS**

MO BRICKMOLD  
MO FLAT CASING  
ROUGH OPENING  
FRAME SIZE  
DAYLIGHT OPENING

21 1/4"(540)  
24 5/16"(618)  
18 3/4"(476)  
18"(457)  
11 7/8"(302)

23 1/4"(591)  
26 5/16"(668)  
20 3/4"(527)  
20"(508)  
13 7/8"(352)

27 1/4"(692)  
30 5/16"(770)  
24 3/4"(629)  
24"(610)  
17 7/8"(454)

31 1/4"(794)  
34 5/16"(872)  
28 3/4"(730)  
28"(711)  
21 7/8"(556)

33 1/4"(845)  
36 5/16"(922)  
30 3/4"(781)  
30"(762)  
23 7/8"(606)

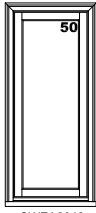
35 1/4"(895)  
38 5/16"(973)  
32 3/4"(832)  
32"(813)  
25 7/8"(657)

39 1/4"(997)  
42 5/16"(1075)  
36 3/4"(933)  
38"(914)  
29 7/8"(759)

51 11/32"(1304)  
52 7/8"(1343)  
48 3/4"(1238)  
48"(1219)  
41 7/8"(1064)



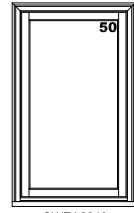
CWEA1848



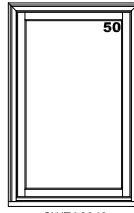
CWEA2048



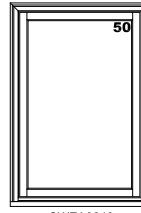
CWEA2448



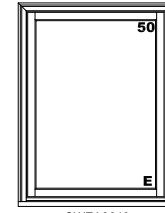
CWEA2848



CWEA3048



CWEA3248



CWEA3648

MO BRICKMOLD  
MO FLAT CASING  
ROUGH OPENING  
FRAME SIZE  
DAYLIGHT OPENING

43 1/4"(1099)  
46 5/16"(1176)  
40 3/4"(1035)  
40"(1016)  
33 7/8"(860)

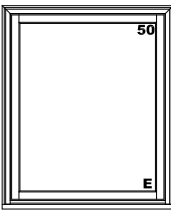
45 1/4"(1149)  
48 5/16"(1227)  
42 3/4"(1086)  
42"(1067)  
35 7/8"(911)

51 1/4"(1302)  
54 5/16"(1380)  
48 3/4"(1238)  
48"(1219)  
41 7/8"(1064)

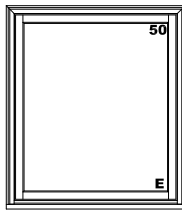
57 1/4"(1454)  
60 5/16"(1532)  
54 3/4"(1391)  
54"(1372)  
47 7/8"(1216)

59 1/4"(1505)  
62 5/16"(1583)  
56 3/4"(1441)  
56"(1422)  
49 7/8"(1267)

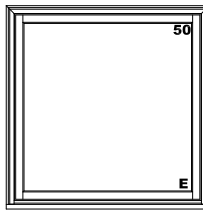
51 11/32"(1304)  
52 7/8"(1343)  
48 3/4"(1238)  
48"(1219)  
41 7/8"(1064)



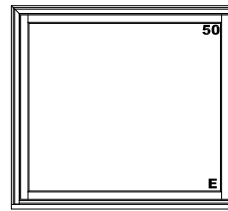
CWEA4048



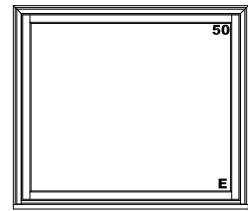
CWEA4248



CWEA4848



CWEA5448



CWEA5648

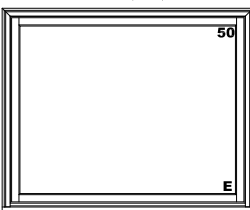
MO BRICKMOLD  
MO FLAT CASING  
ROUGH OPENING  
FRAME SIZE  
DAYLIGHT OPENING

63 1/4"(1607)  
66 5/16"(1684)  
60 3/4"(1543)  
60"(1524)  
53 7/8"(1368)

69 1/4"(1759)  
72 5/16"(1837)  
66 3/4"(1695)  
66"(1676)  
59 7/8"(1521)

75 1/4"(1911)  
78 5/16"(1989)  
72 3/4"(1848)  
72"(1829)  
65 7/8"(1673)

51 11/32"(1304)  
52 7/8"(1343)  
48 3/4"(1238)  
48"(1219)  
41 7/8"(1064)



CWEA6048



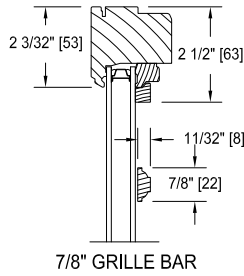
CWEA6648



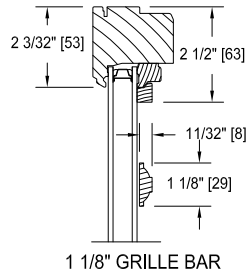
CWEA7248

**ELEVATION SYMBOL LEGEND:**  
M.O. - MASONRY OPENING  
VALUES IN ( ) ARE IN MILLIMETER CONVERSIONS  
## NUMBER INDICATES PERFORMANCE GRADE (PG) RATING WITH STANDARD GLAZING

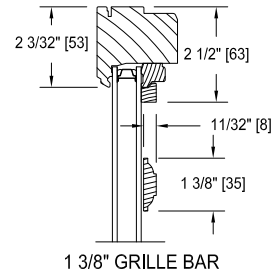
GLAZING OPTIONS



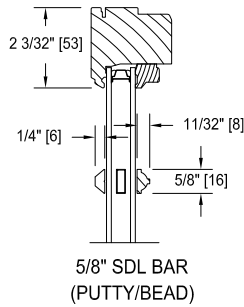
7/8" GRILLE BAR



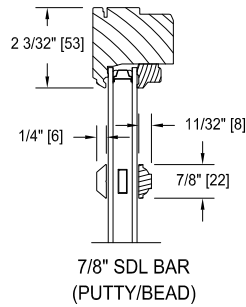
1 1/8" GRILLE BAR



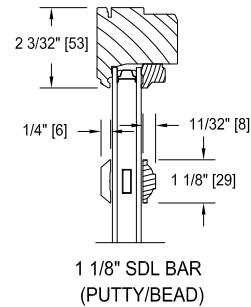
1 3/8" GRILLE BAR



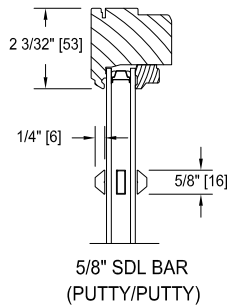
5/8" SDL BAR  
(PUTTY/BEAD)



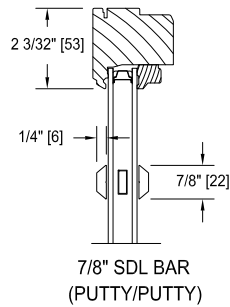
7/8" SDL BAR  
(PUTTY/BEAD)



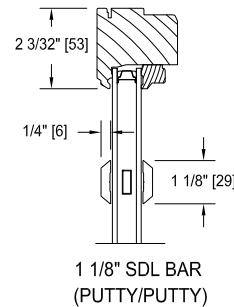
1 1/8" SDL BAR  
(PUTTY/BEAD)



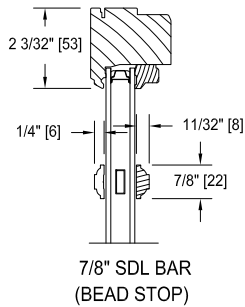
5/8" SDL BAR  
(PUTTY/PUTTY)



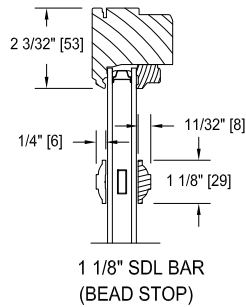
7/8" SDL BAR  
(PUTTY/PUTTY)



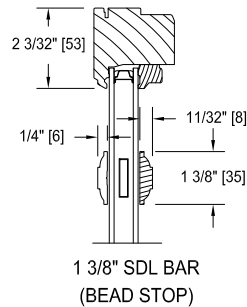
1 1/8" SDL BAR  
(PUTTY/PUTTY)



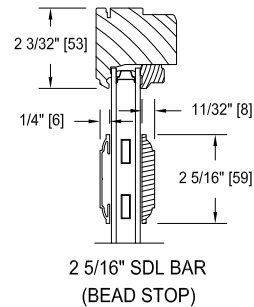
7/8" SDL BAR  
(BEAD STOP)



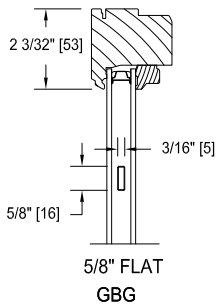
1 1/8" SDL BAR  
(BEAD STOP)



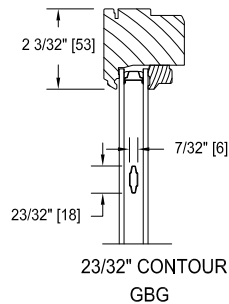
1 3/8" SDL BAR  
(BEAD STOP)



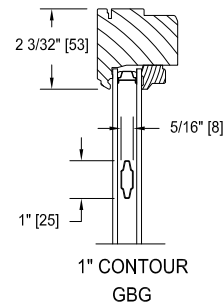
2 5/16" SDL BAR  
(BEAD STOP)



5/8" FLAT  
GBG

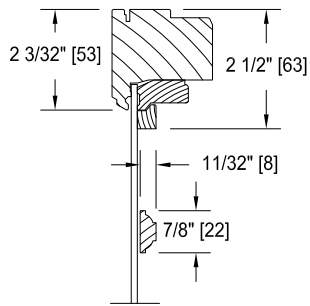


23/32" CONTOUR  
GBG

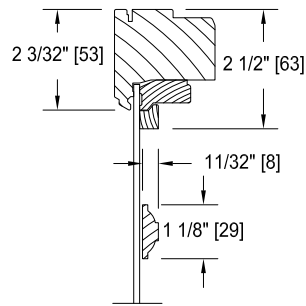


1" CONTOUR  
GBG

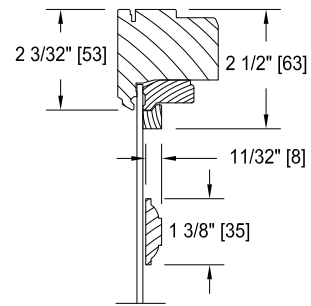
GLAZING OPTIONS



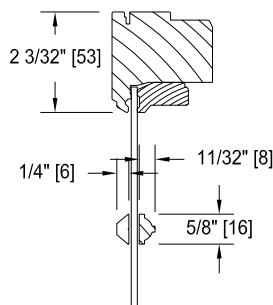
7/8" GRILLE BAR



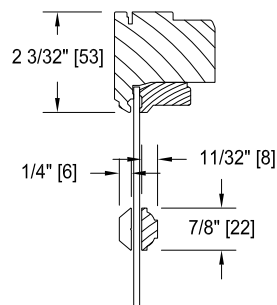
1 1/8" GRILLE BAR



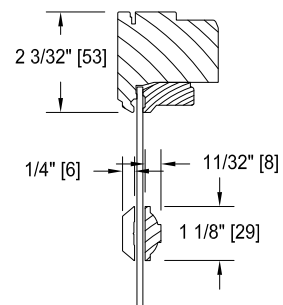
1 3/8" GRILLE BAR



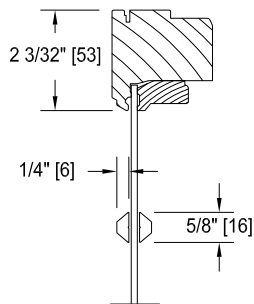
5/8" SDL  
(PUTTY/BEAD)



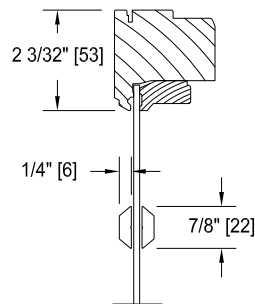
7/8" SDL  
(PUTTY/BEAD)



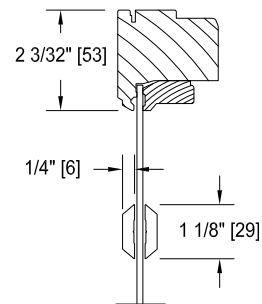
1 1/8" SDL  
(PUTTY/BEAD)



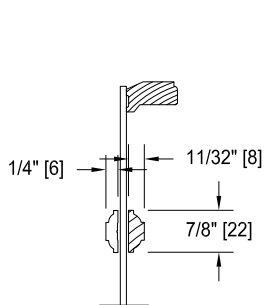
5/8" SDL  
(PUTTY/PUTTY)



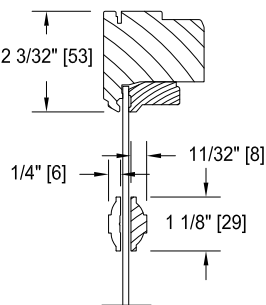
7/8" SDL  
(PUTTY/PUTTY)



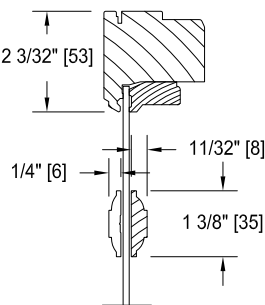
1 1/8" SDL  
(PUTTY/PUTTY)



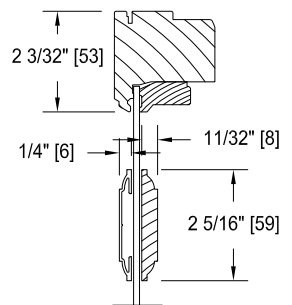
7/8" SDL  
(BEAD STOP)



1 1/8" SDL  
(BEAD STOP)

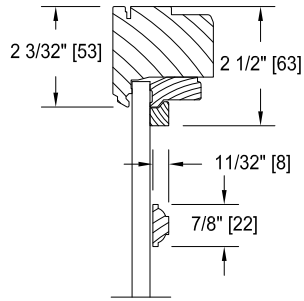


1 3/8" SDL  
(BEAD STOP)

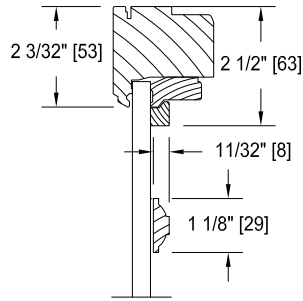


2 5/16" SDL BAR  
(BEAD STOP)

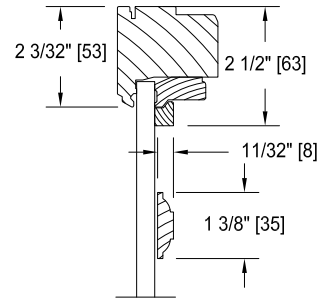
GLAZING OPTIONS



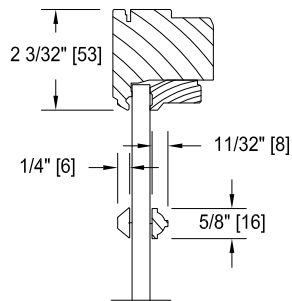
7/8" GRILLE BAR



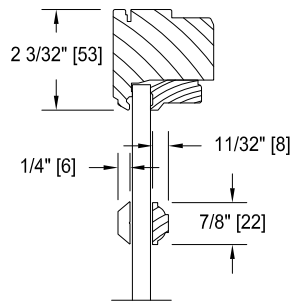
1 1/8" GRILLE BAR



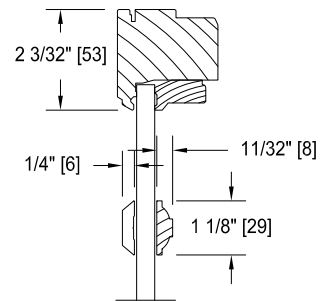
1 3/8" GRILLE BAR



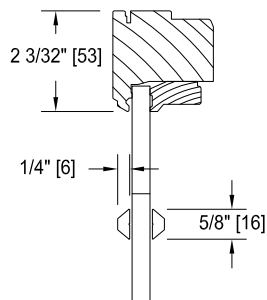
5/8" SDL  
(PUTTY/BEAD)



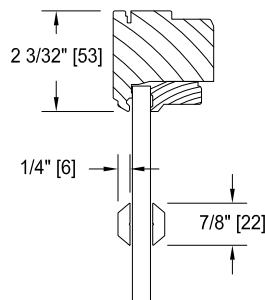
7/8" SDL  
(PUTTY/BEAD)



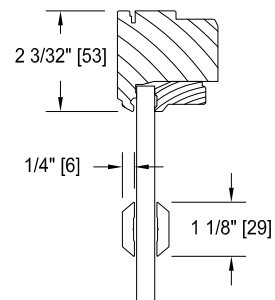
1 1/8" SDL  
(PUTTY/BEAD)



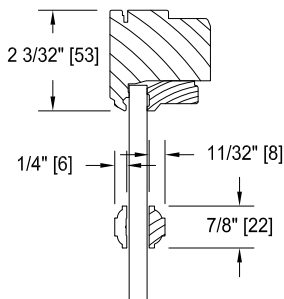
5/8" SDL  
(PUTTY/PUTTY)



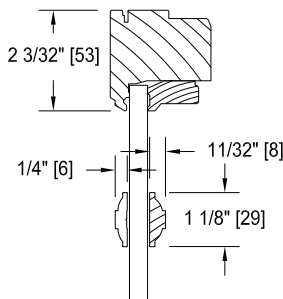
7/8" SDL  
(PUTTY/PUTTY)



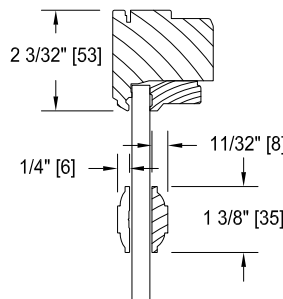
1 1/8" SDL  
(PUTTY/PUTTY)



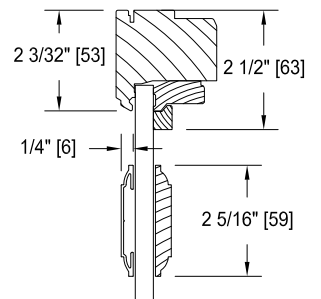
7/8" SDL  
(BEAD STOP)



1 1/8" SDL  
(BEAD STOP)

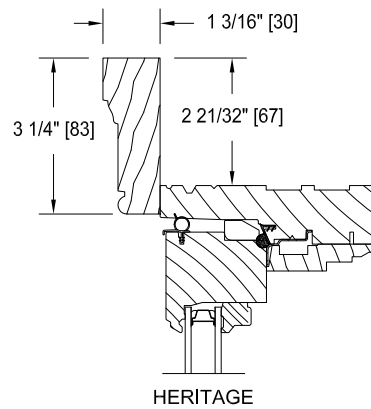
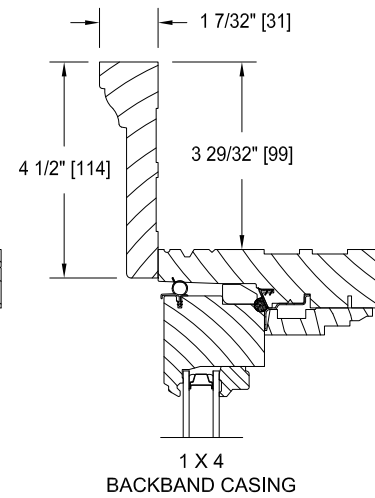
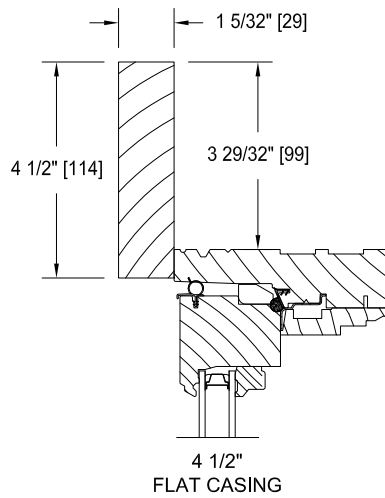
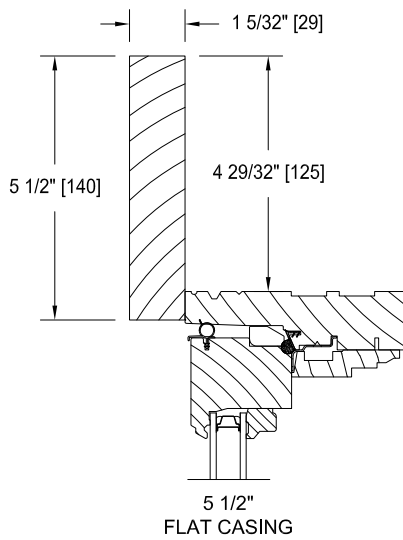
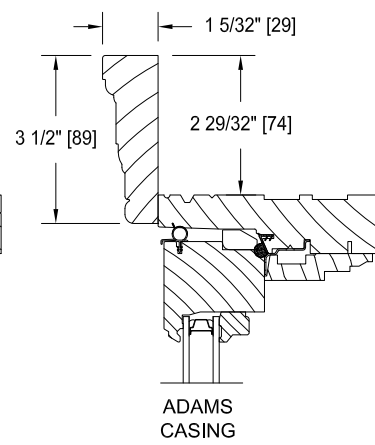
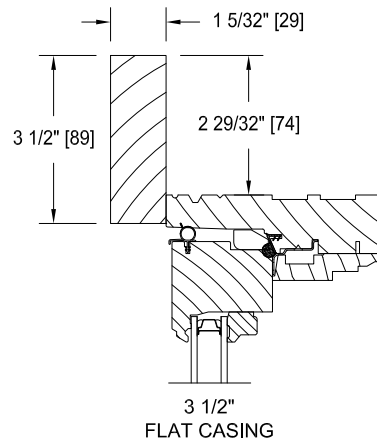
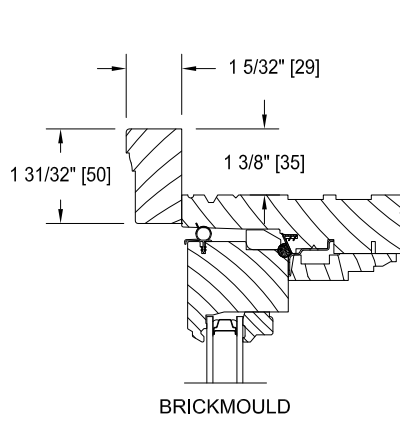


1 3/8" SDL  
(BEAD STOP)

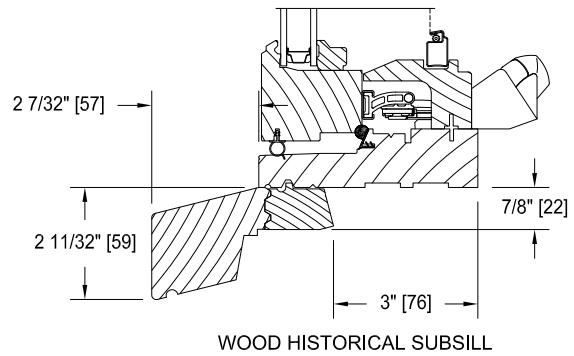
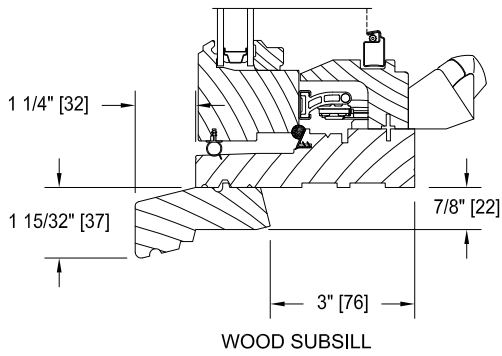


2 5/16" SDL BAR  
(BEAD STOP)

TRIM OPTIONS  
WOOD EXTERIOR TRIM



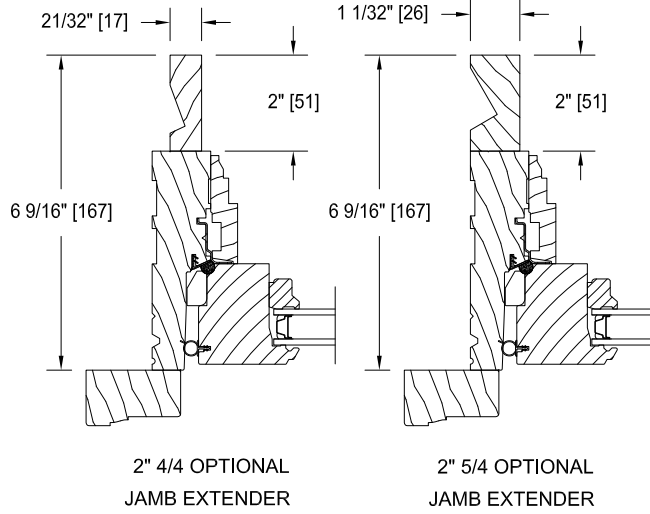
SILL OPTIONS  
WOOD EXTERIOR TRIM



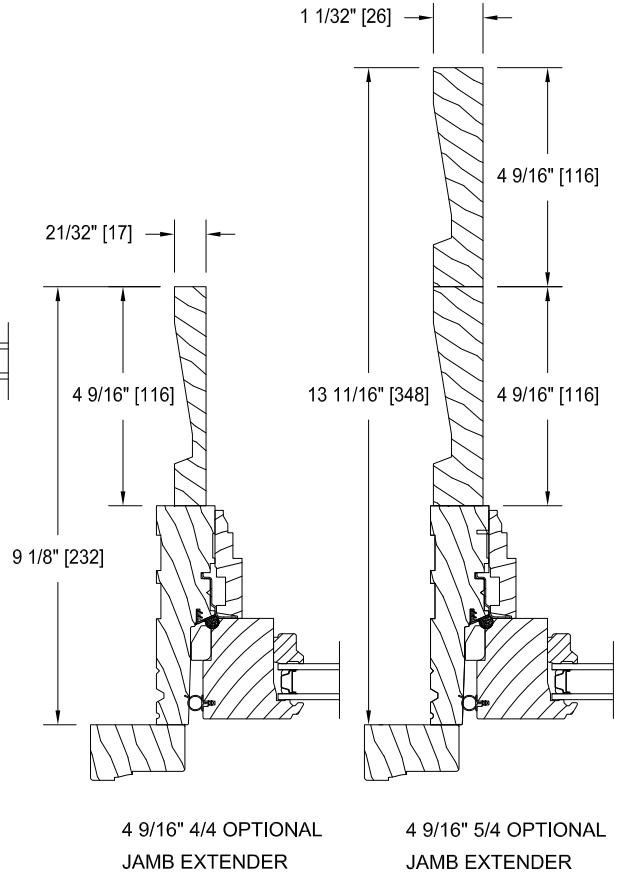


JAMB EXTENDER & STUCCO OPTIONS

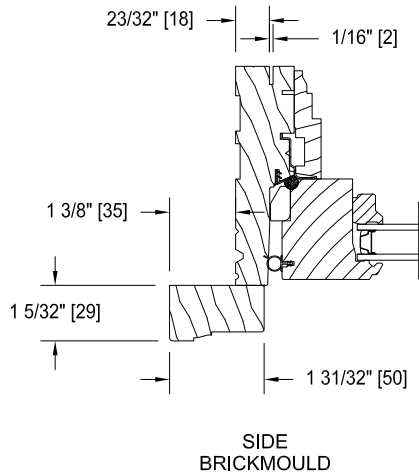
JAMB EXTENDER OPTIONS



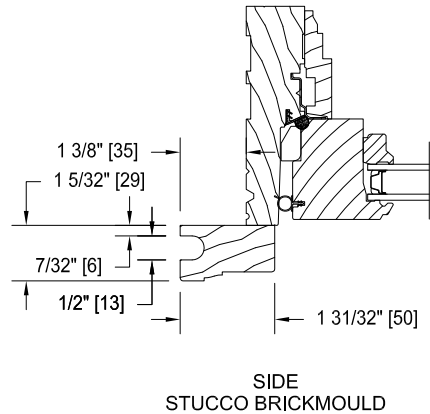
MAXIMUM JAMB WIDTHS



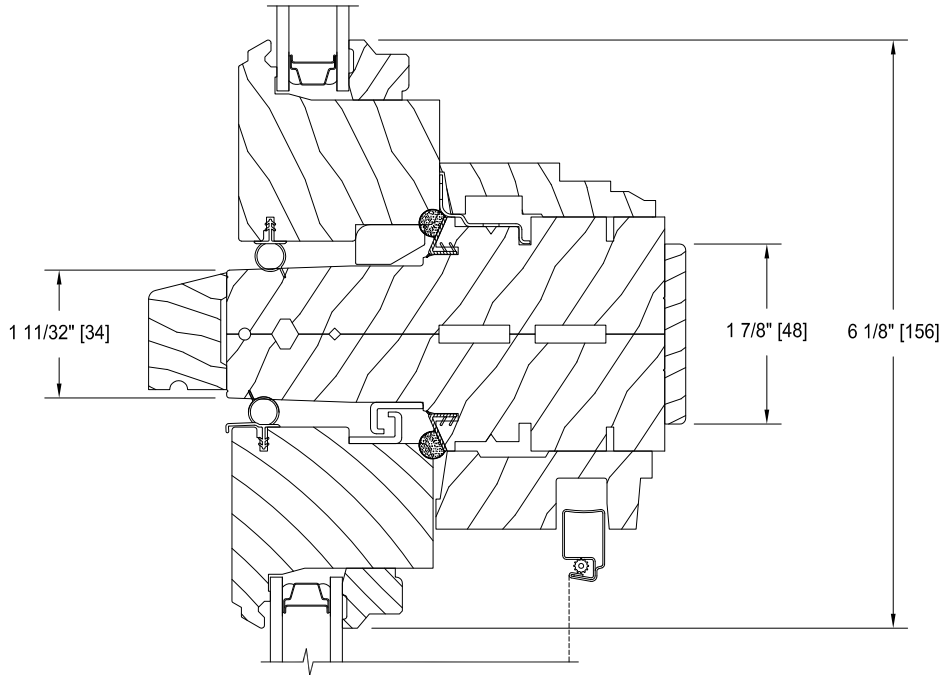
RETURN KERF OPTION



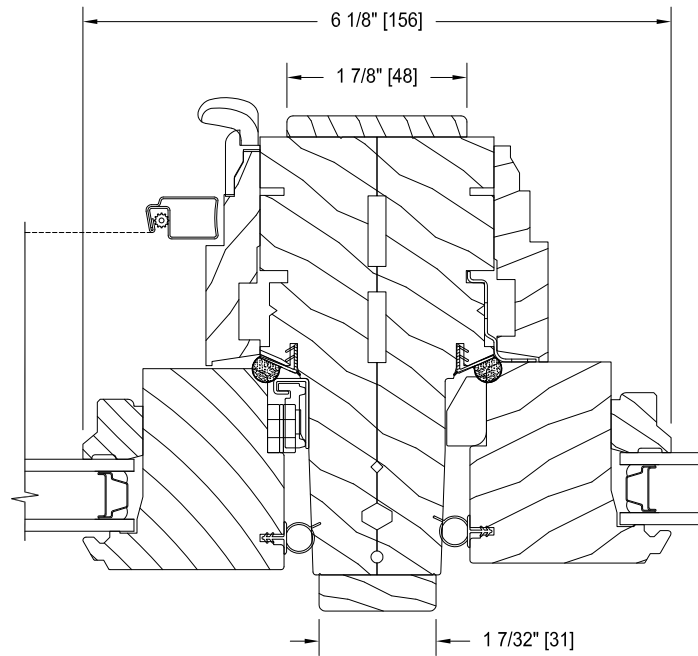
STUCCO TRIM OPTION



STANDARD MULLION DETAILS



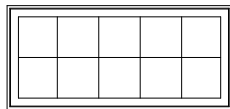
HEAD/SILL



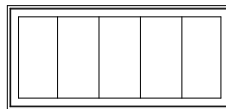
SIDE JAMB

LITE CUT INFORMATION

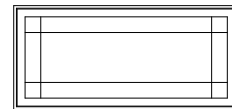
Wood awning windows are available with removable grilles in 7/8", 1-1/8" and 1-3/8" widths, Airspace ( between the panes) grilles, and Simulated Divided Lites. Standard lite cuts are rectangular, and conform to the layouts noted in the charts on the next page. To use the chart, refer to the appropriate table by the type of window and type of bars or grilles the section drawings illustrate. Then simply cross reference the frame Height and Width to determine the standard lite cut.



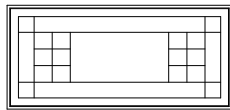
RECTANGULAR



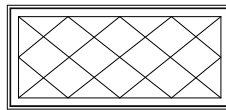
VERTICAL



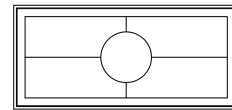
PRAIRIE



UNEVEN



DIAMOND



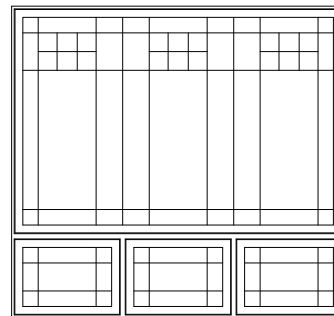
RADIUS

LITE CUT OPTIONS

Special lite cut patterns can include a wide variety of straight line and radius patterns. The illustrations shown here represent just a few of the possibilities. Rectangular, horizontal, vertical and Prairie lite patterns are available in all standard size wood casement windows. Uneven, diamond, radius and Gothic lite cuts are available, subject to approval. Approvals are based on the ability to fulfill the design requirement while maintaining the construction integrity of the finished product.

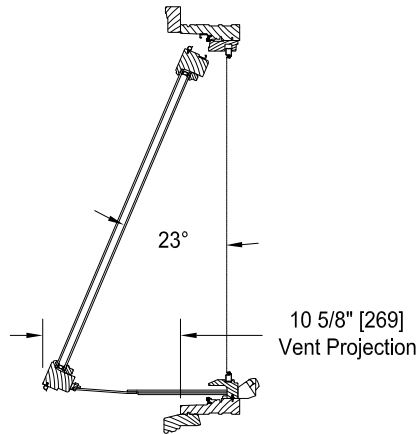
BAR ALIGNMENT

Alignment of divided lite muntin bars from one window to the next is often required by fine architectural design. Wood grilles, Airspace grilles, and Simulated Divided Lites may be specified with muntin bars aligned.



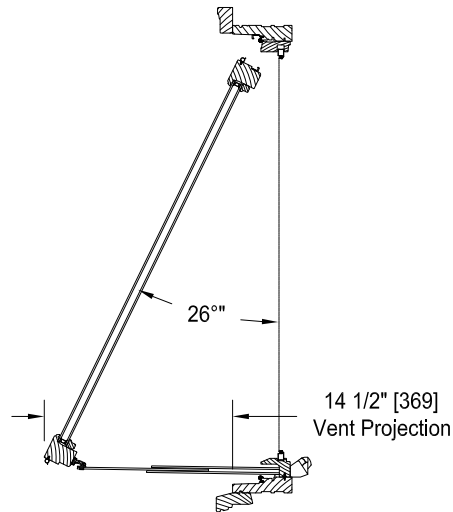
VENT PROJECTIONS

**NARROW OPERATOR**  
Frame Width under 21"



Roto type hardware

**STANDARD OPERATOR**  
Frame Width 21" and over

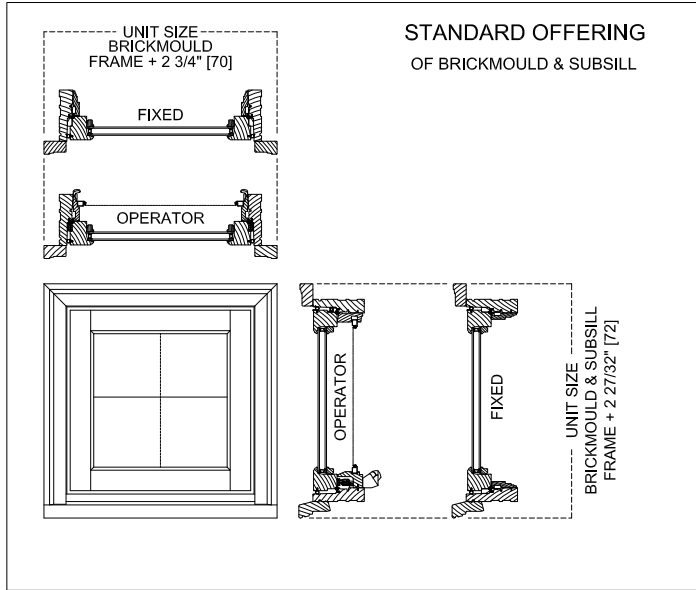


Roto type hardware

**AWNING VENT PROJECTION**

The drawings above reflect full operation. Dimensions and angles above are approximate and will vary due to frame height.

**UNIT SIZING, ROUGH OPENING &  
MASONRY OPENINGS**



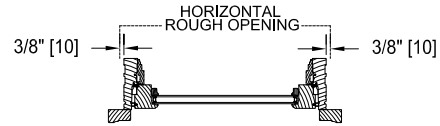
**GENERAL NOTES:**

UNITS WITH NO TRIM OR SUBSILL:  
UNIT SIZE = FRAME SIZE

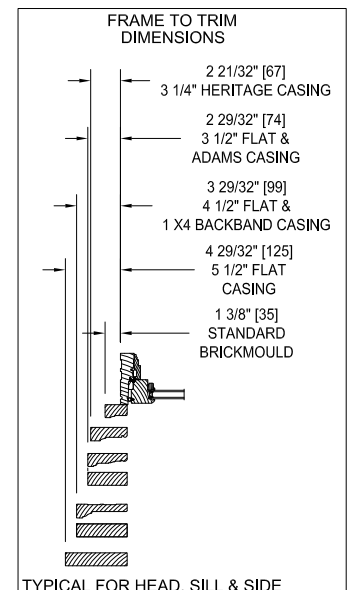
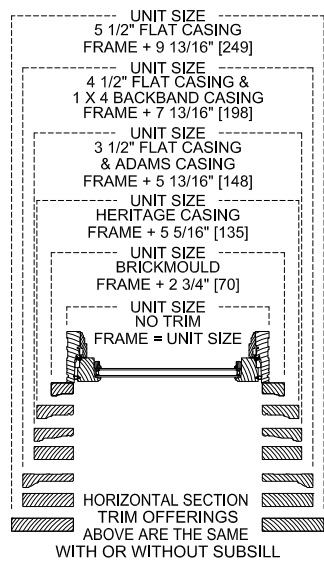
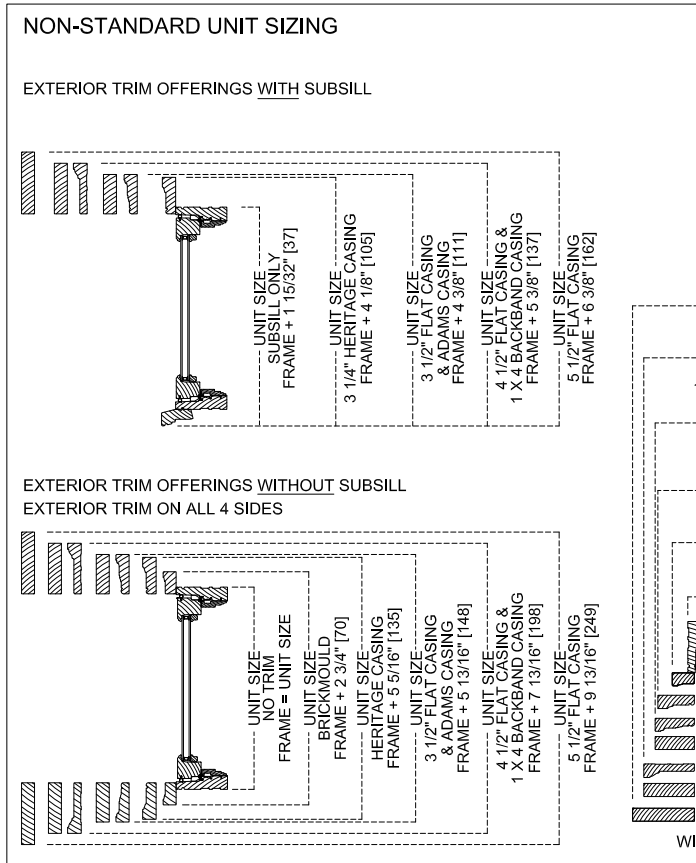
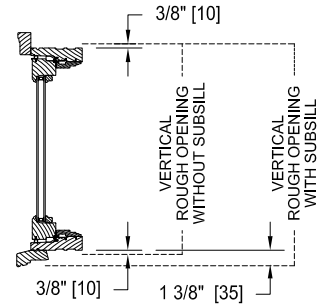
UNIT SIZE IS ALWAYS THE  
EXTREME SIZE OF THE WINDOW  
WITH OR WITHOUT TRIM

**MASONRY OPENING:**  
MASONRY OPENING IS ALWAYS 1/2" OVER  
THE UNIT SIZE OF THE WINDOW

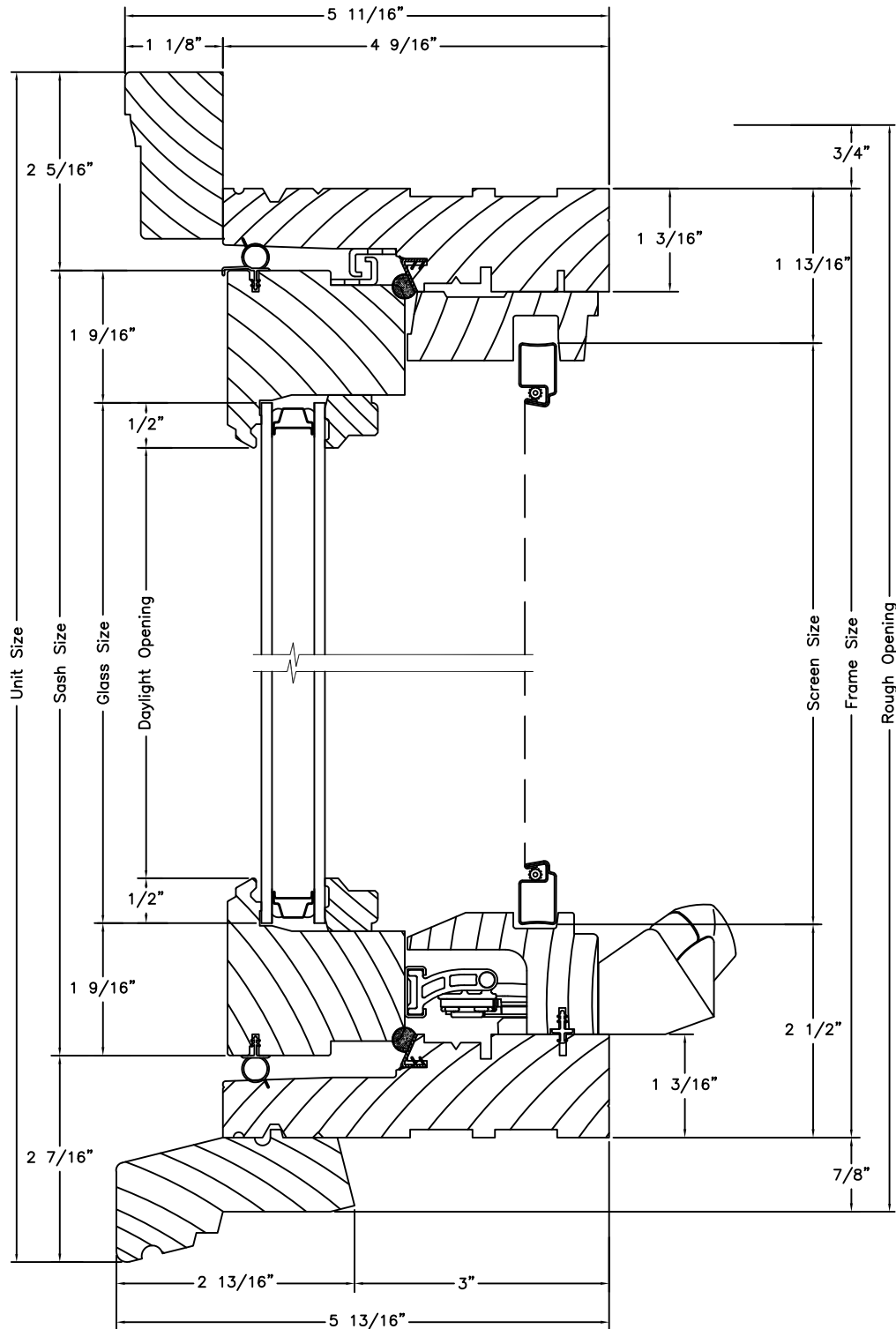
**ROUGH OPENING:**  
ROUGH OPENING IS ALWAYS 3/4" OVER  
FRAME SIZE OF THE WINDOW



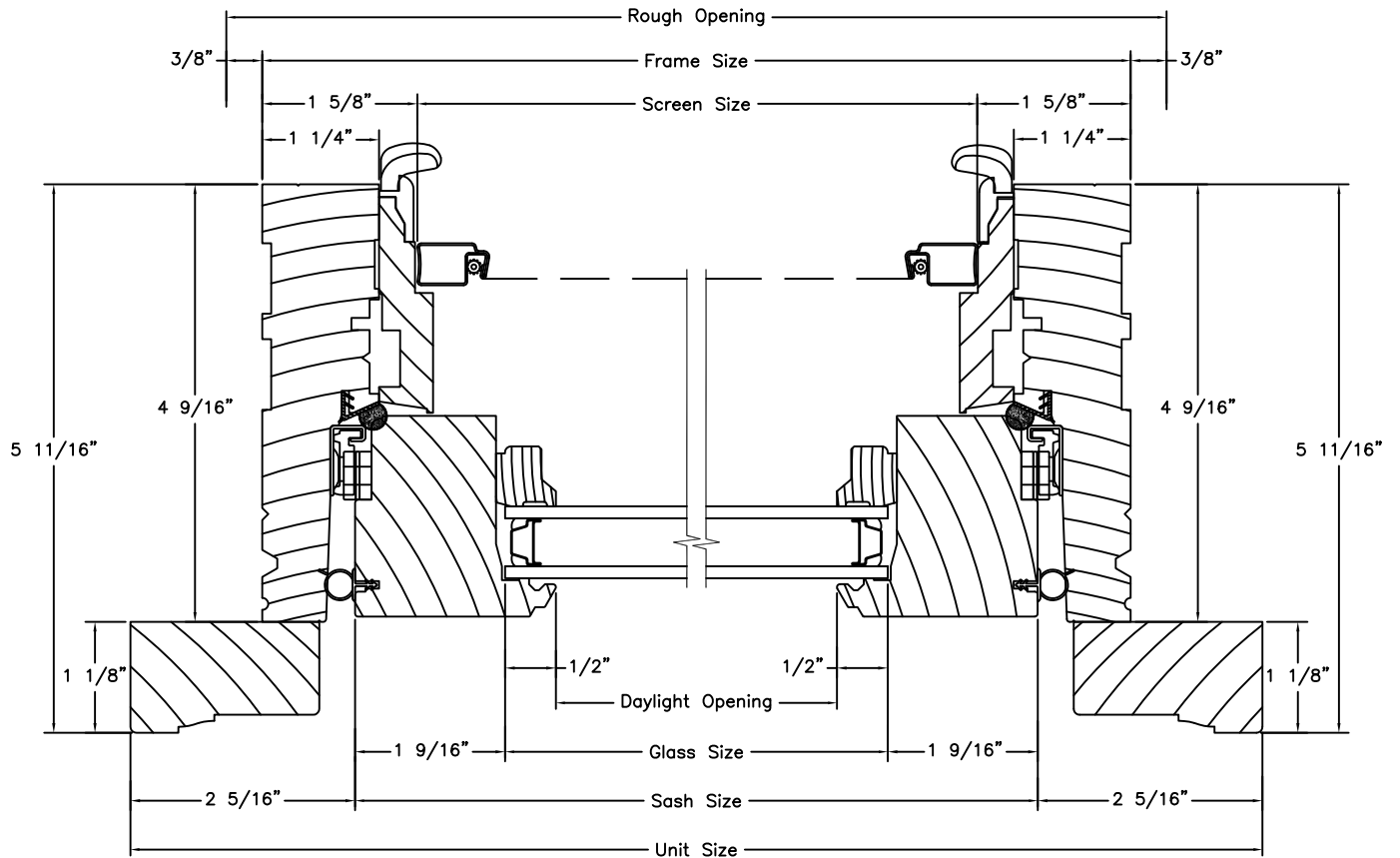
EXCEPTION: SEE DRAWING BELOW



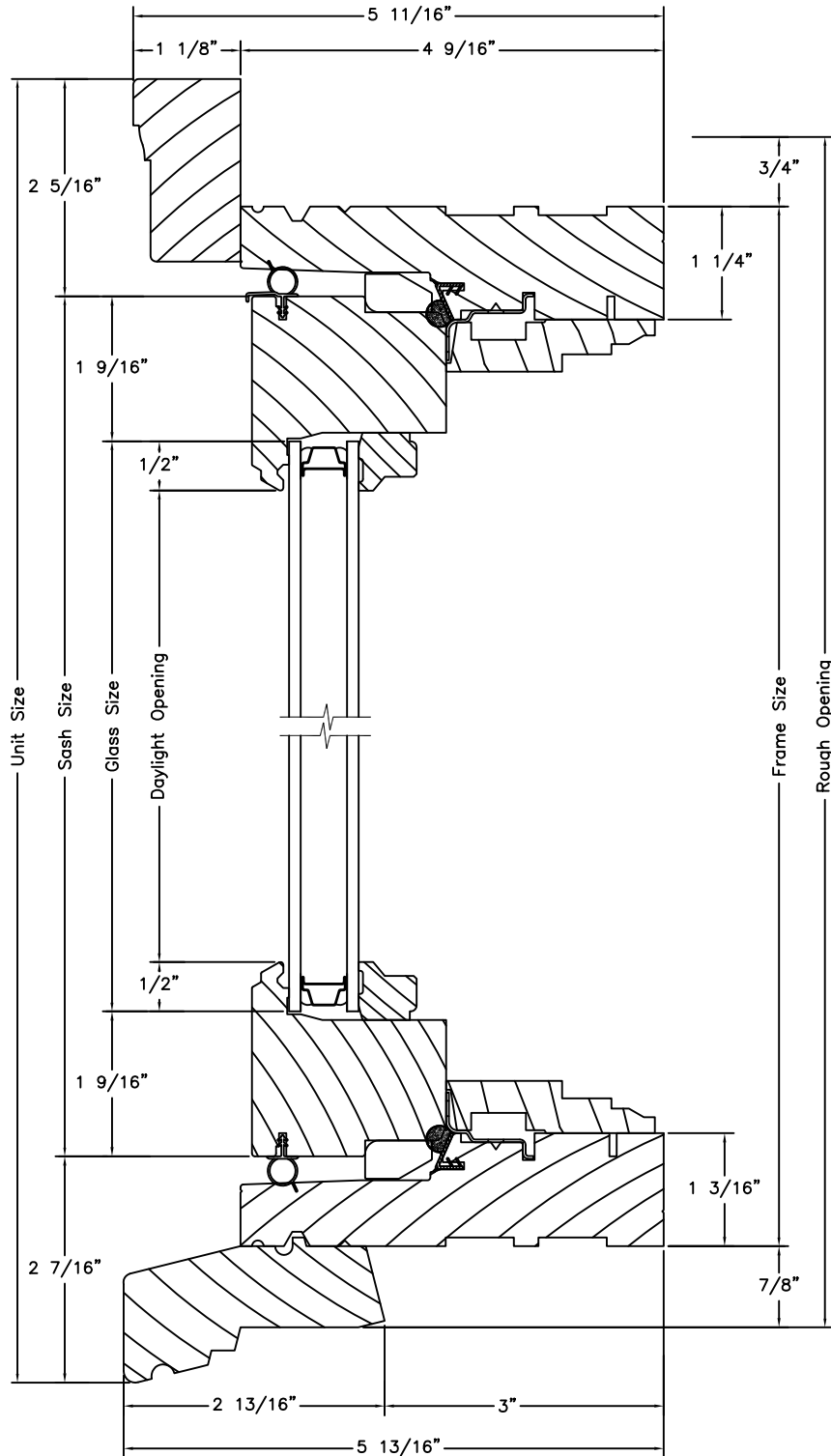
OPERATING UNIT  
VERTICAL SECTION



OPERATING UNIT  
HORIZONTAL SECTION



STATIONARY UNIT  
VERTICAL SECTION





STATIONARY UNIT  
HORIZONTAL SECTION

