
TABLE OF CONTENTS

4 PANEL DOORS

Elevations: 1/8" Scale

A110

A112

A465

A890

Decorative Hardware

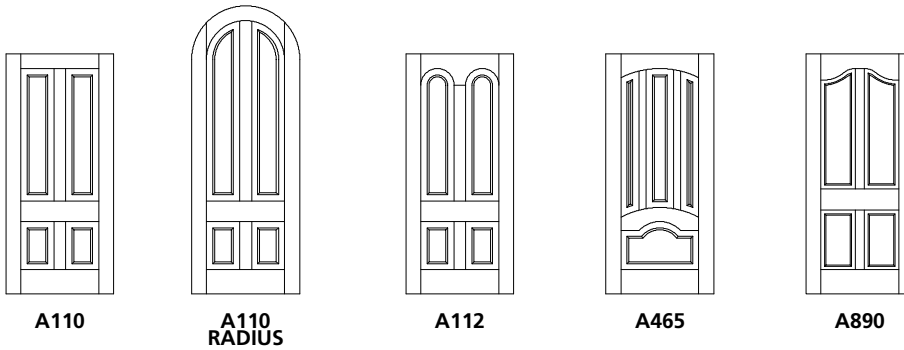
Section Details

A110

A112

A465

A890



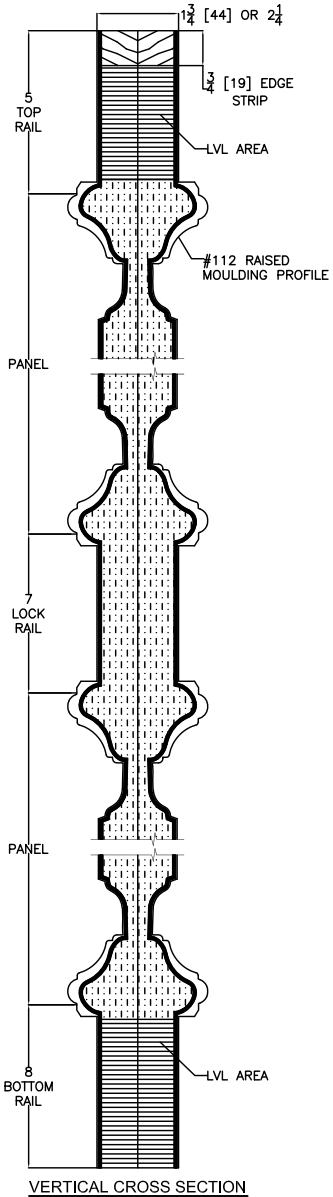
ELEVATION NOTES

Door Size = Book Size Before Prefit
Daylight Opening (DLO) = Visible Glass
Values in brackets [] are millimeter conversions.

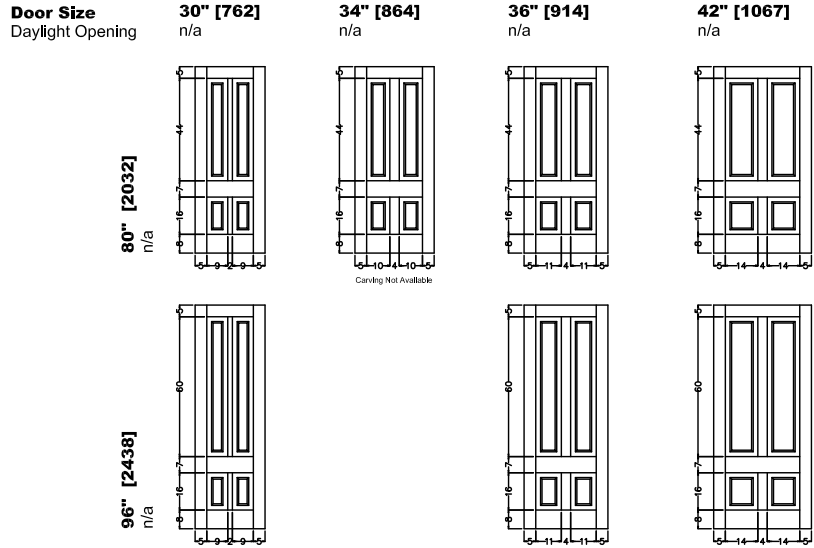
20 Minute Fire Rating: This all-panel door is available as a certified 20 minute fire rated door, designed to meet or exceed local building codes for both residential and light commercial use. Certified sizes for the 20-minute fire rating range up to 3'0" x 8'0".
sdgbsdfhgds

DOOR CROSS-SECTION

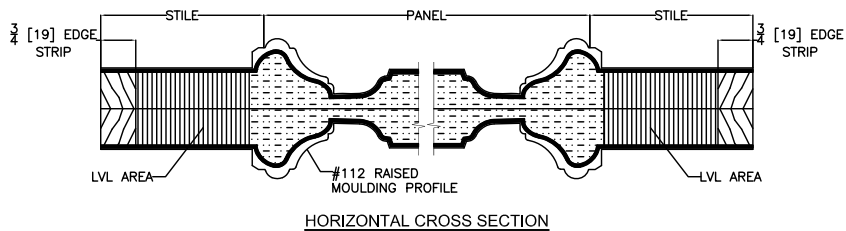
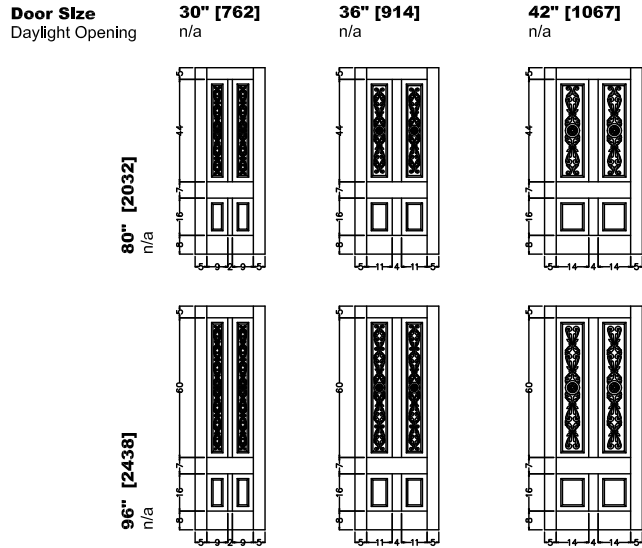
Moulding Profile = 112
Panel Profile = Double Hip
See A110 Cross Section sheet for more detail.



WITHOUT CARVING



WITH CARVING



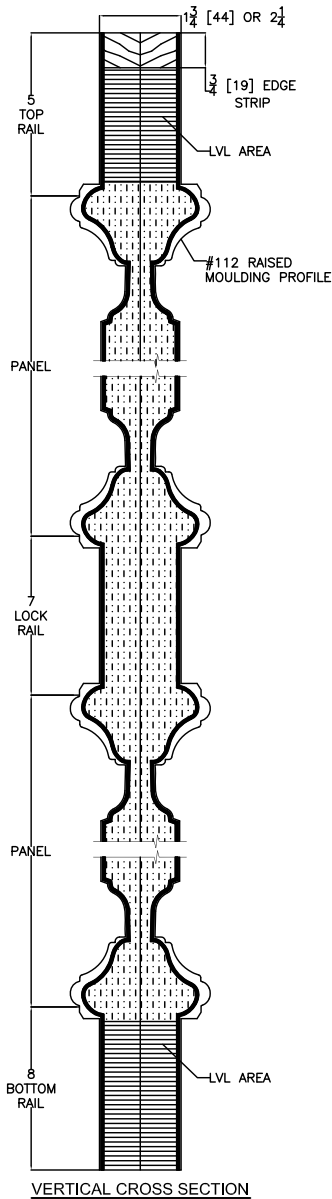
ELEVATION NOTES

Door Size = Book Size Before Prefit
 Daylight Opening (DLO) = Visible Glass
 Values in brackets [] are millimeter conversions.

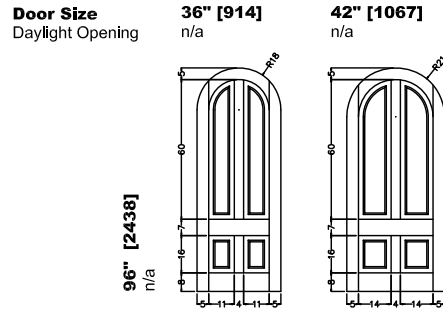
20 Minute Fire Rating: This all-panel door is available as a certified 20 minute fire rated door, designed to meet or exceed local building codes for both residential and light commercial use. Certified sizes for the 20-minute fire rating range up to 3'0" x 8'0".

DOOR CROSS-SECTION

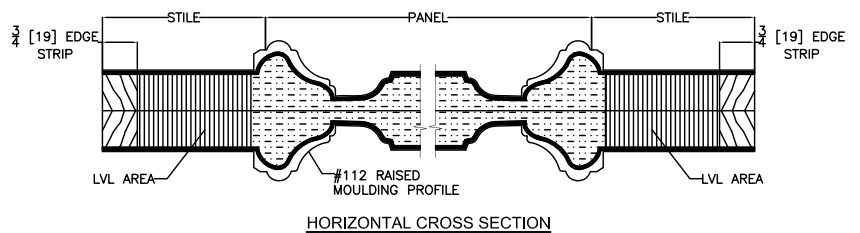
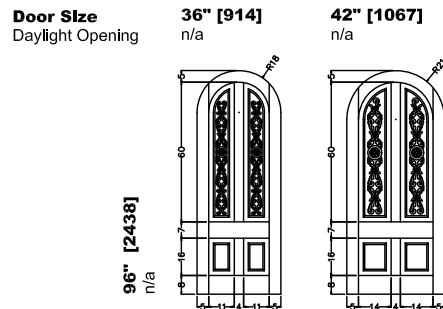
Moulding Profile = 112
 Panel Profile = Double Hip
 See A110 Cross Section sheet for more detail.



WITHOUT CARVING



WITH CARVING



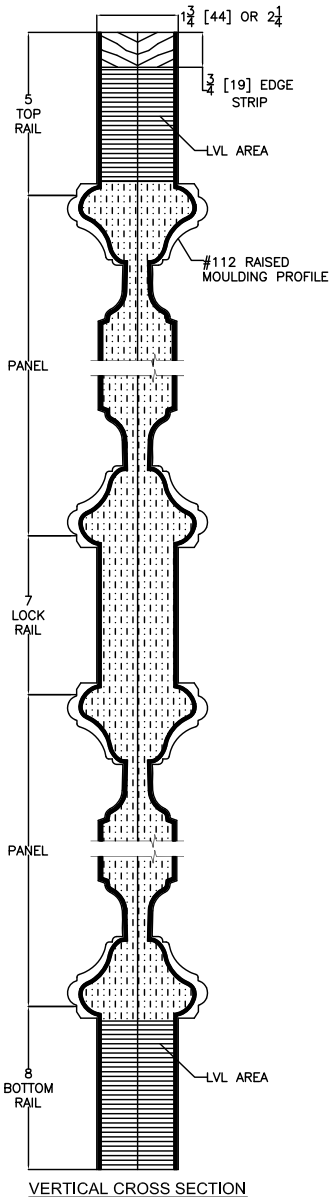
ELEVATION NOTES

Door Size = Book Size Before Prefit
 Daylight Opening (DLO) = Visible Glass
 Values in brackets [] are millimeter conversions.

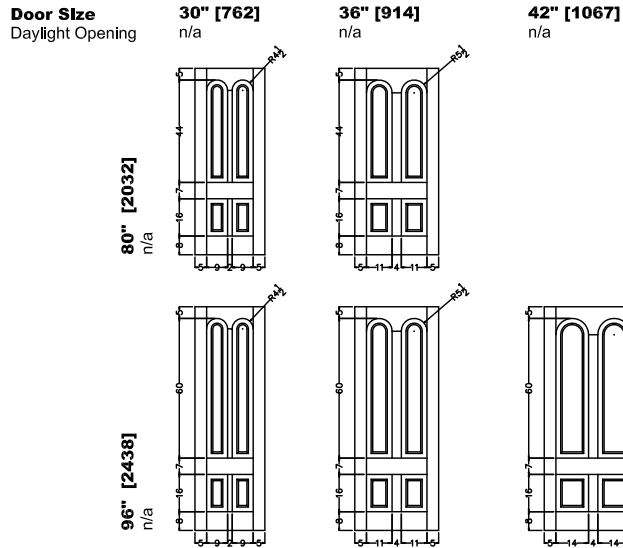
20 Minute Fire Rating: This all-panel door is available as a certified 20 minute fire rated door, designed to meet or exceed local building codes for both residential and light commercial use. Certified sizes for the 20-minute fire rating range up to 3'0" x 8'0".
 sdfgbsdfhgds

DOOR CROSS-SECTION

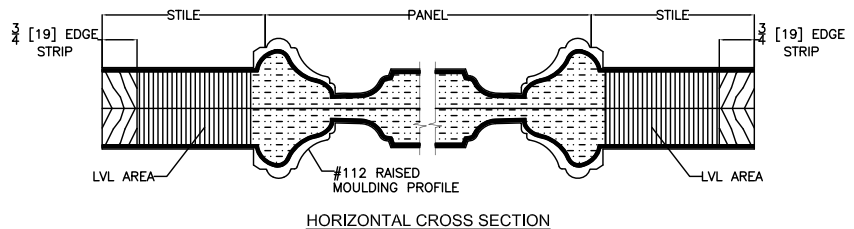
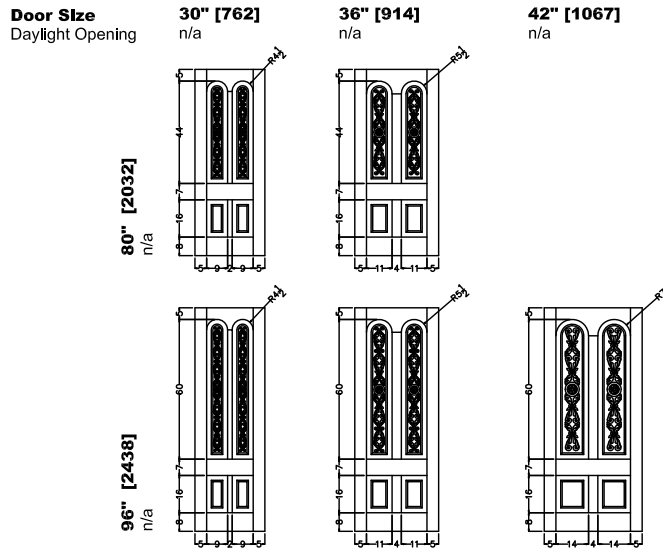
Moulding Profile = 112
 Panel Profile = Double Hip
 See A112 Cross Section sheet for more detail.



WITHOUT CARVING



WITH CARVING



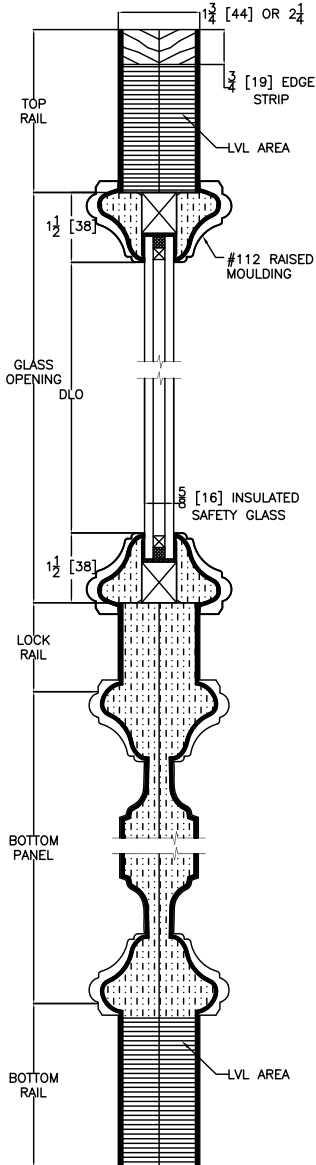
ELEVATION NOTES

Door Size = Book Size Before Prefit
 Daylight Opening (DLO) = Visible Glass
 Values in brackets [] are millimeter conversions.

20 Minute Fire Rating: This all-panel door is available as a certified 20 minute fire rated door, designed to meet or exceed local building codes for both residential and light commercial use. Certified sizes for the 20-minute fire rating range up to 3'0" x 8'0".
 sdfgsdfhgds

DOOR CROSS-SECTION

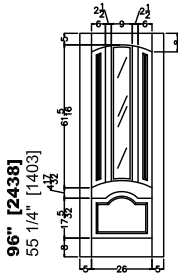
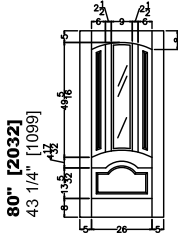
Moulding Profile = 112
 Panel Profile = Double Hip
 See A465 Cross Section sheet for more detail.



VERTICAL CROSS SECTION

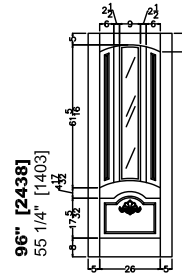
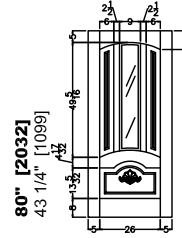
GLAZED - NO CARVING

Door Size 36" [914]
Daylight Opening 6" [152]



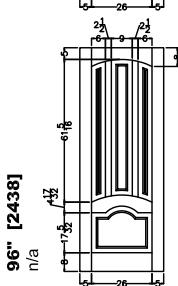
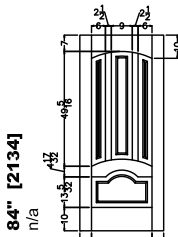
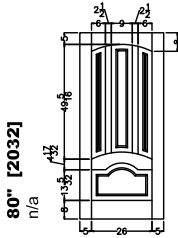
GLAZED - WITH CARVING

Door Size 36" [914]
Daylight Opening 6" [152]



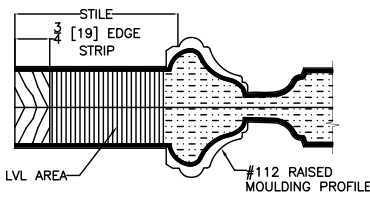
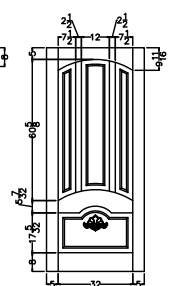
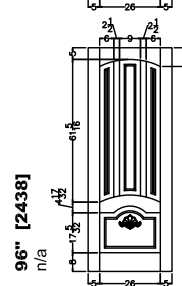
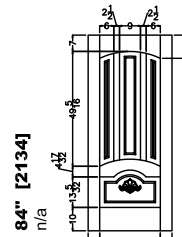
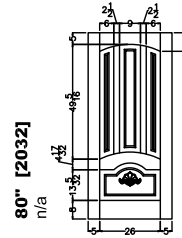
PANEL - NO CARVING

Door Size 36" [914] 42" [1067]
Daylight Opening n/a n/a



PANEL - WITH CARVING

Door Size 36" [914] 42" [1067]
Daylight Opening n/a n/a



HORIZONTAL CROSS SECTION

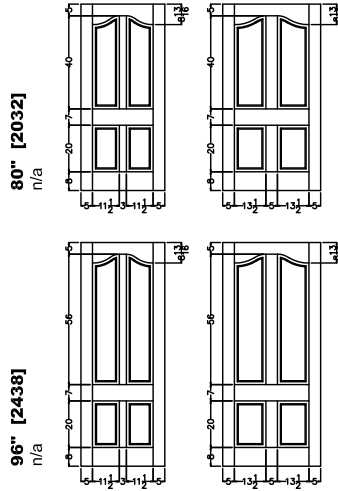
ELEVATION NOTES

Door Size = Book Size Before Prefit
 Daylight Opening (DLO) = Visible Glass
 Values in brackets [] are millimeter conversions.

20 Minute Fire Rating: This all-panel door is available as a certified 20 minute fire rated door, designed to meet or exceed local building codes for both residential and light commercial use. Certified sizes for the 20-minute fire rating range up to 3'0" x 8'0".
 sdfgbsdfhgds

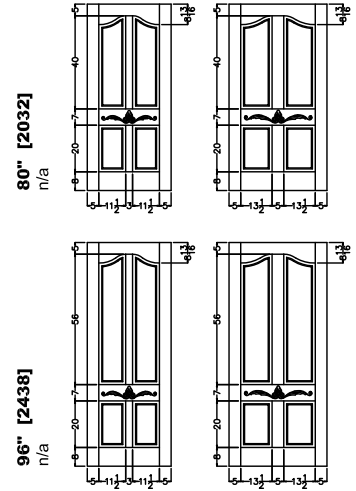
WITHOUT CARVING

Door Size 36" [914] 42" [1067]
Daylight Opening n/a n/a



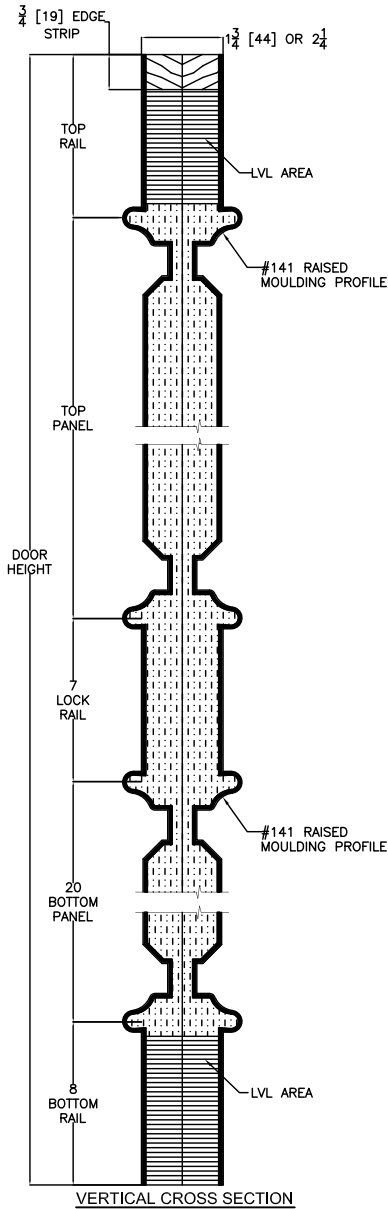
WITH CARVING

Door Size 36" [914] 42" [1067]
Daylight Opening n/a n/a



DOOR CROSS-SECTION

Moulding Profile = 141
 Panel Profile = 45 Degree
 See A890 Cross Section sheet for more detail.





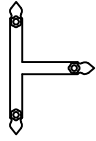
ROUND CLAVOS

Size Options: 1" diameter, 1.75" diameter
Finish Options: Dark Patina, Rust Patina
Material: Composite



DIAMOND CLAVOS

Size Options: 1", 1.75"
Finish Options: Dark Patina, Rust Patina
Material: Composite



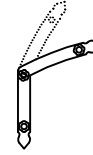
RAIL STRAP

Finish Options: Dark Patina, Rust Patina
Material: Composite



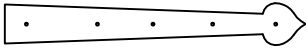
CORNER STRAP

Finish Options: Dark Patina, Rust Patina
Material: Composite



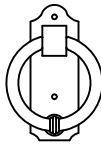
RADIUS STRAP

Finish Options: Dark Patina, Rust Patina
Material: Composite
Adjustable for Segment/Radius Shapes



EXTENDED STRAP

Size: 25" x 3 1/4"
Finish Options: Dark Patina, Rust Patina
Material: Composite



COLONIAL DOOR KNOCKER

Base: 2" Wide x 5 5/8" Tall, Handle: 4" Wide
Finish Options: Dark Patina, Rust Patina
Material: Composite

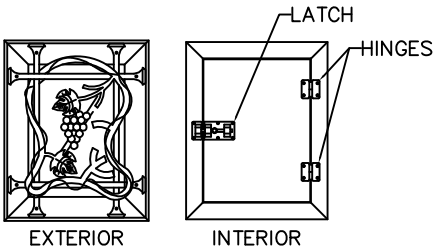


FLEUR de LIS DOOR KNOCKER

Base + Handle: 3 3/4" Wide x 4 7/8" Tall
Finish Options: Dark Patina, Rust Patina
Material: Composite

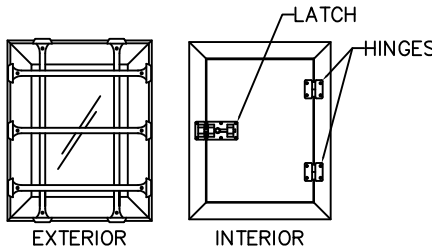
SPEAKEASY/DOOR LIGHT

Glass Options: Clear IG, Clear SG, Bevel IG, Bevel SG, Glue Chip IG,
Low E IG, Rain IG, Reed IG, Frosted IG, Open for Glass
Handing: Will be Handed to Match the Door unless Otherwise Specified
Frame Size: 12" x 15", Daylight Opening: 8" x 11", Actual Glass Size: 8 7/8" x 11 7/8"



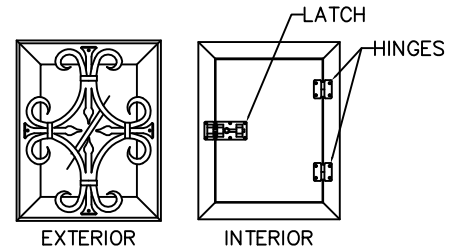
BORDEAUX SPEAKEASY

Hardware Finish Options: Dark Patina, Rust Patina
Material: Composite (Aluminum Hardware)



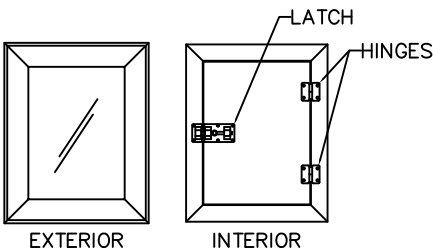
RUSTIC SPEAKEASY

Hardware Finish Options: Dark Patina, Rust Patina
Material: Composite (Aluminum Hardware)



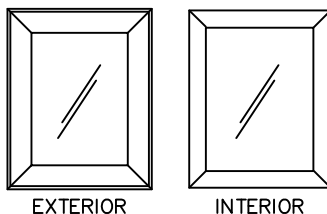
SEVILLE SPEAKEASY

Hardware Finish Options: Dark Patina, Rust Patina
Material: Composite (Aluminum Hardware)



SPEAKEASY (NO GRILLE)

Hardware Finish Options: Dark Patina, Rust Patina
Material: Composite (Aluminum Hardware)



RECTANGLE DOOR LIGHT

Hardware Finish Options: n/a
Material: Composite
Available with All Speakeasy Grilles

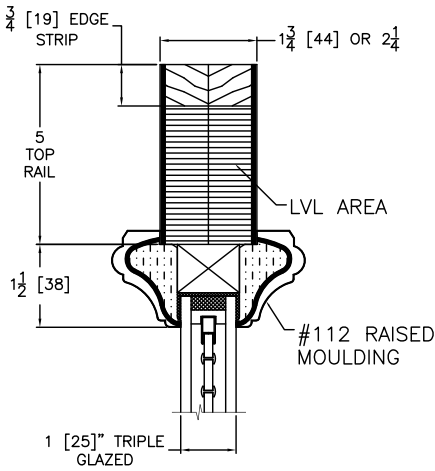
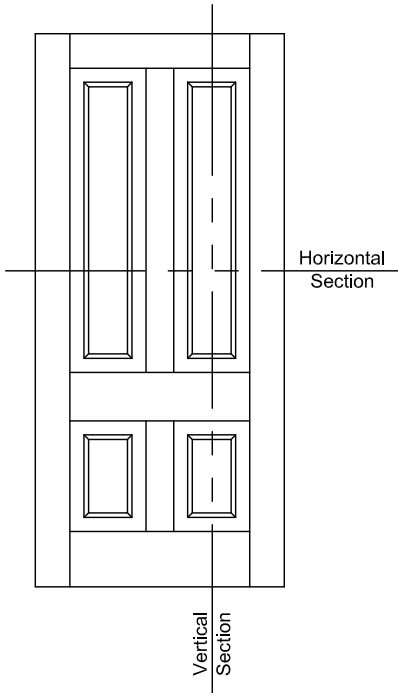
A110 CROSS SECTIONS

Scale: 3" = 1'-0"

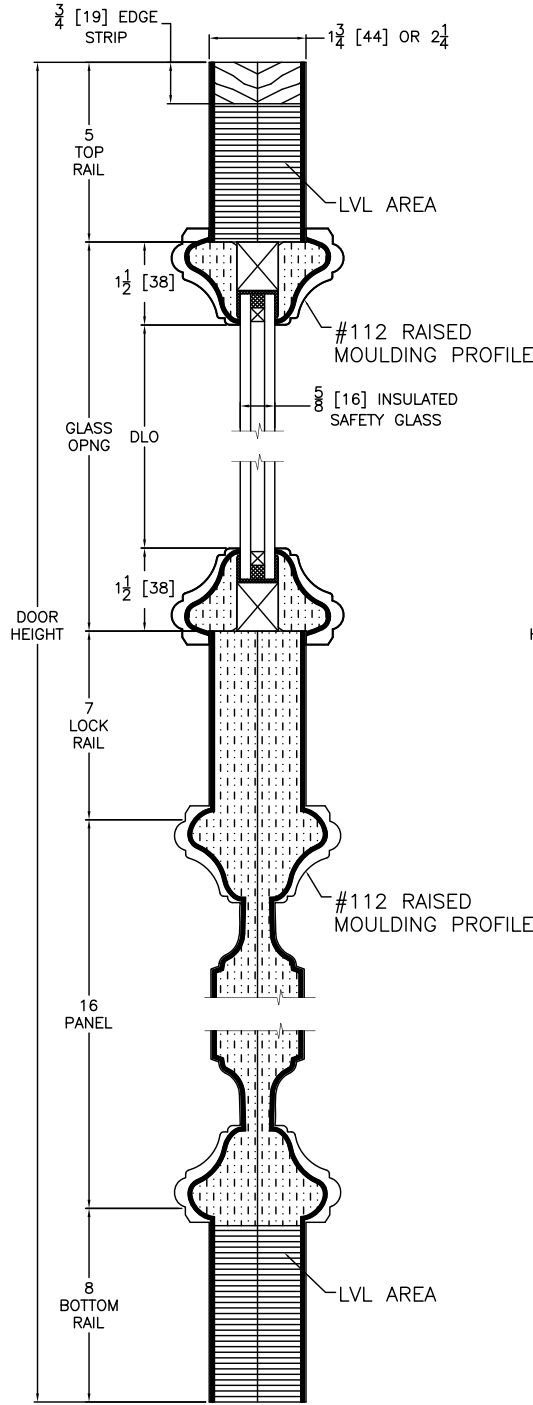
ELEVATION NOTES

Door Size = Book Size Before Prefit
Daylight Opening (DLO) = Visible Glass
Values in brackets [] are millimeter conversions.

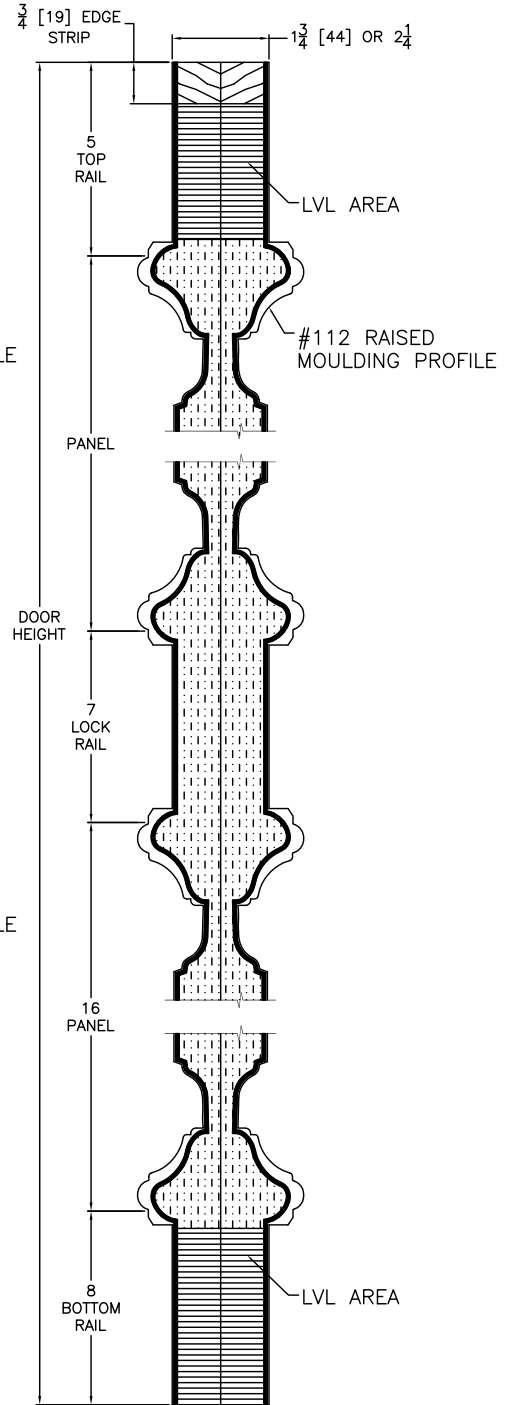
20 Minute Fire Rating: This all-panel door is available as a certified 20 minute fire rated door, designed to meet or exceed local building codes for both residential and light commercial use. Certified sizes for the 20-minute fire rating range up to 3'0" x 8'0".



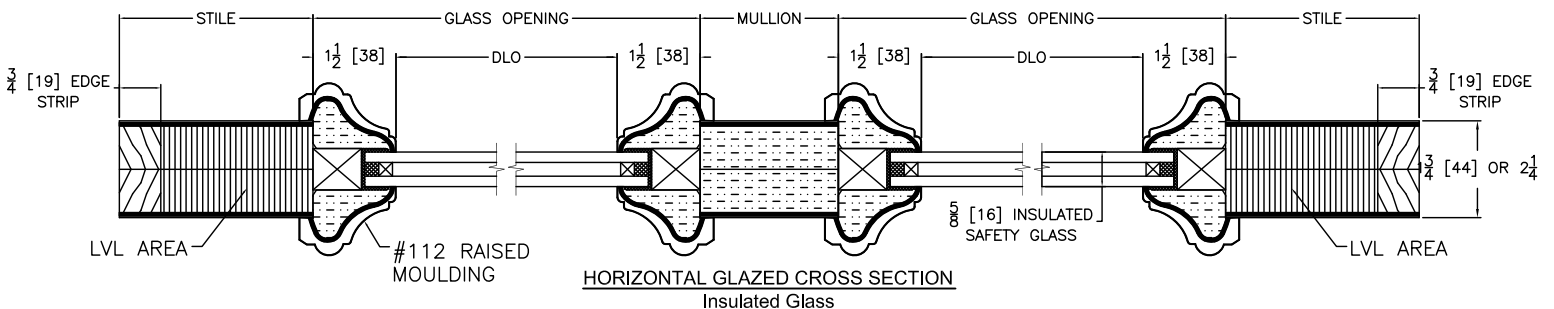
VERTICAL GLAZED CROSS SECTION
Triple Glazed



VERTICAL GLAZED CROSS SECTION
Insulated Glass



VERTICAL PANEL CROSS SECTION



HORIZONTAL GLAZED CROSS SECTION
Insulated Glass

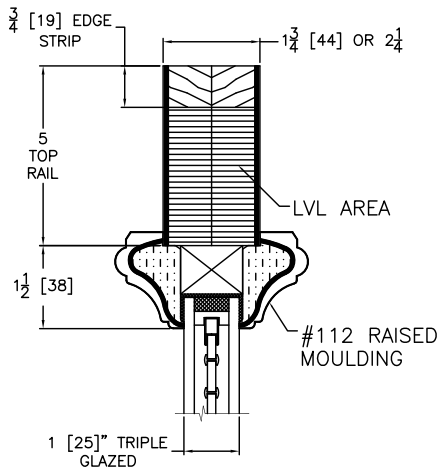
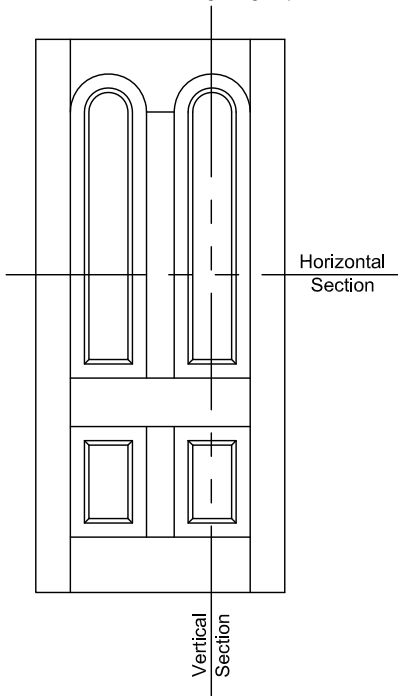
A112 CROSS SECTIONS

Scale: 3" = 1'-0"

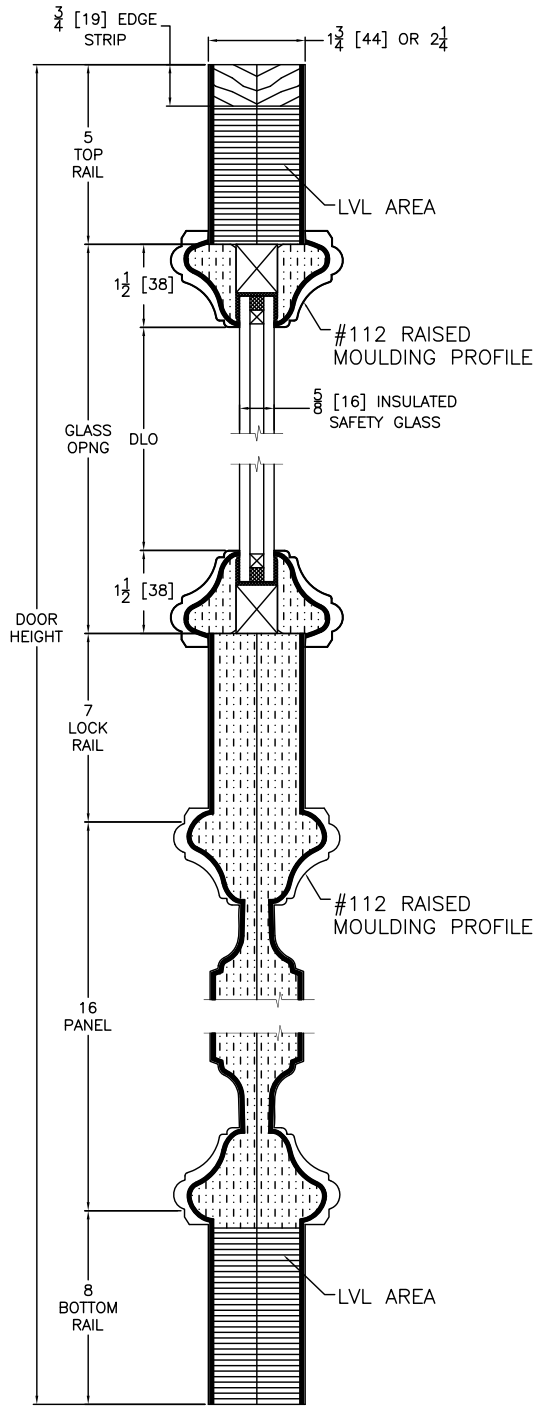
ELEVATION NOTES

Door Size = Book Size Before Prefit
 Daylight Opening (DLO) = Visible Glass
 Values in brackets [] are millimeter conversions.

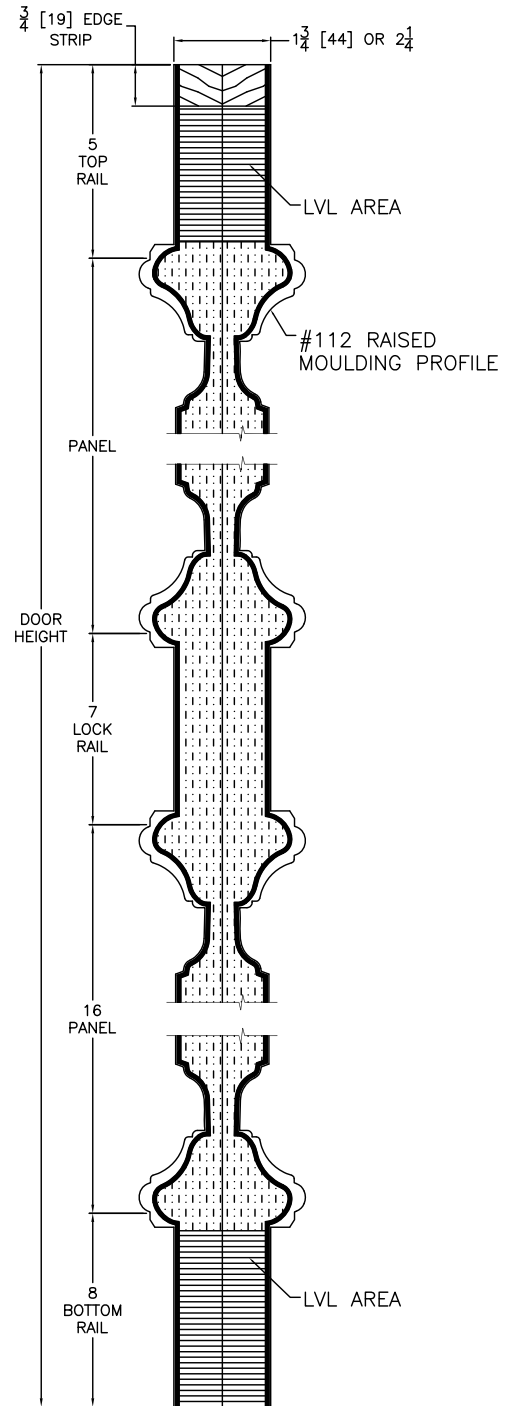
20 Minute Fire Rating: This all-panel door is available as a certified 20 minute fire rated door, designed to meet or exceed local building codes for both residential and light commercial use. Certified sizes for the 20-minute fire rating range up to 3'0" x 8'0".



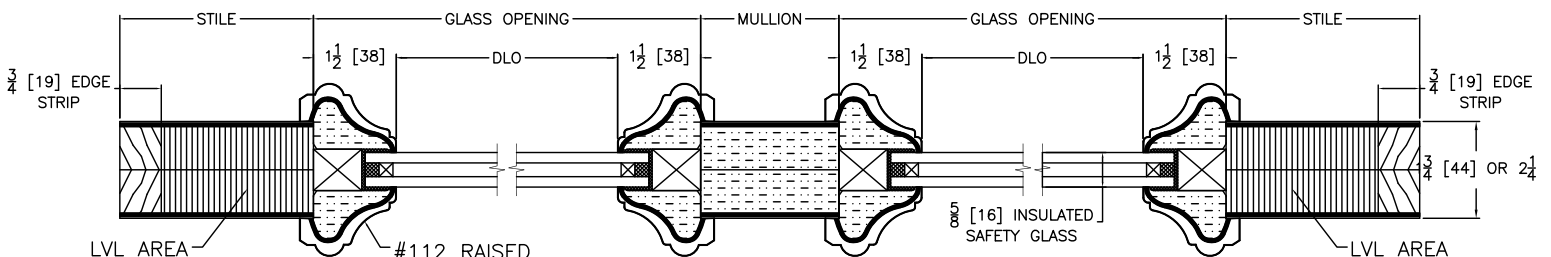
VERTICAL GLAZED CROSS SECTION
Triple Glazed



VERTICAL GLAZED CROSS SECTION
Insulated Glass



VERTICAL PANEL CROSS SECTION



HORIZONTAL GLAZED CROSS SECTION
Insulated Glass

JELD-WEN WINDOWS & DOORS

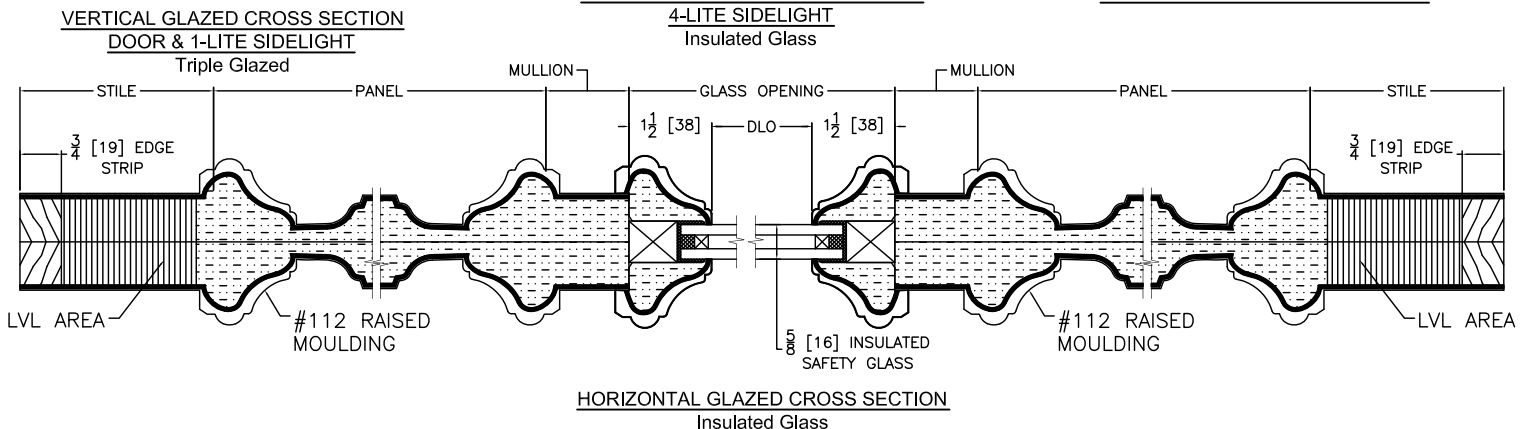
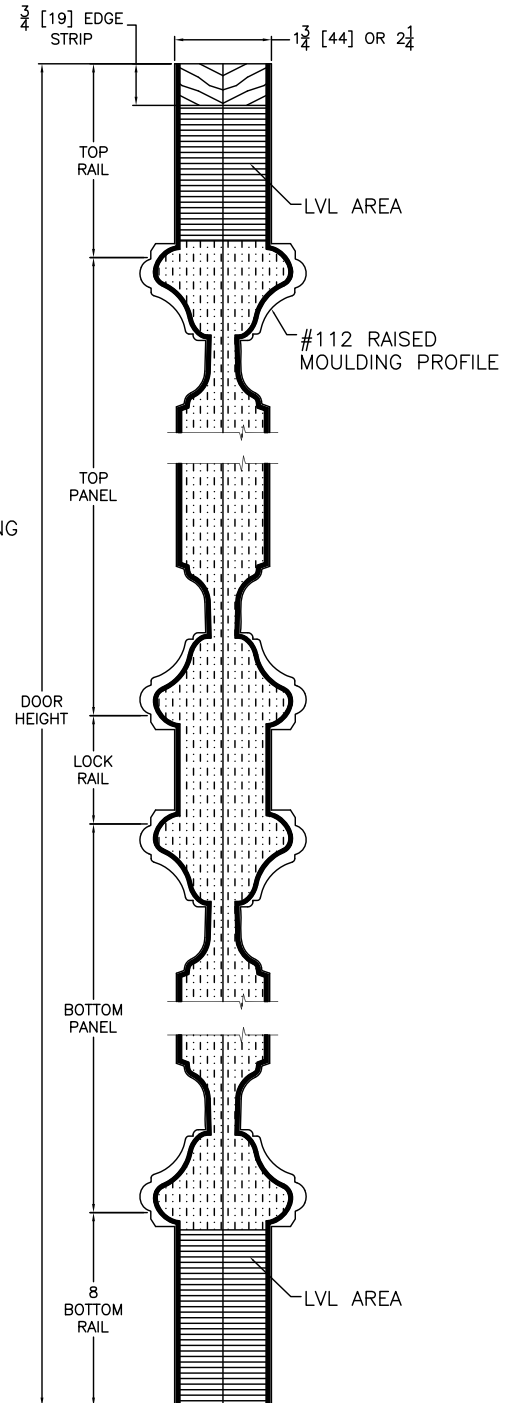
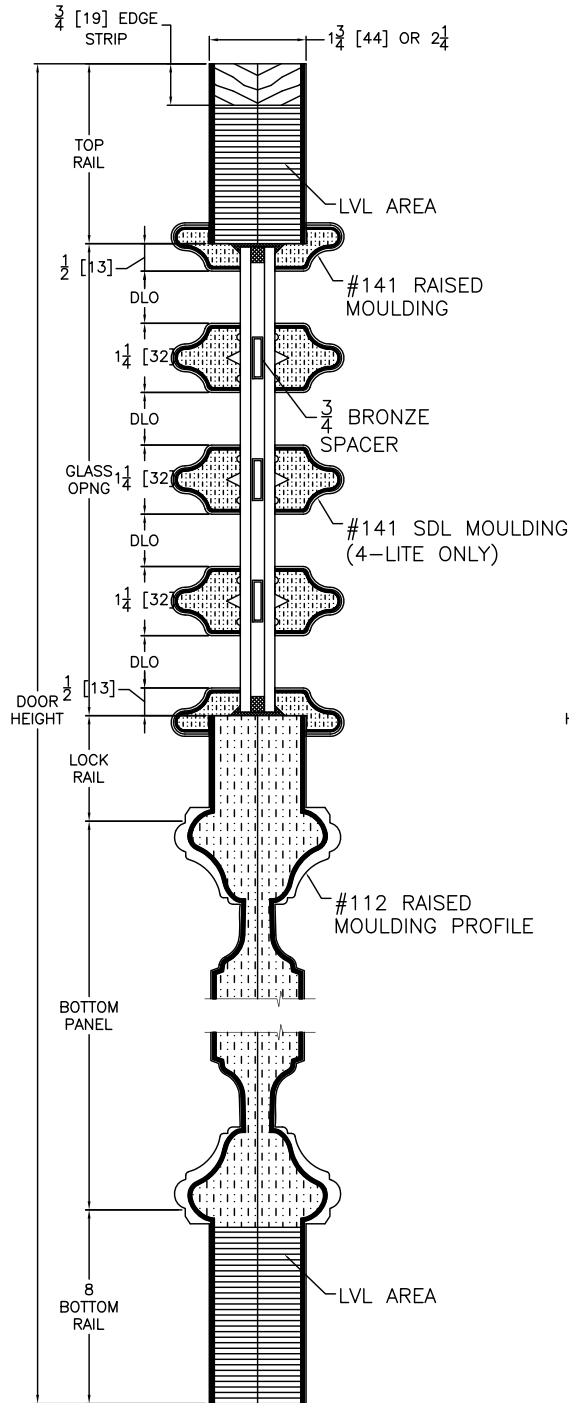
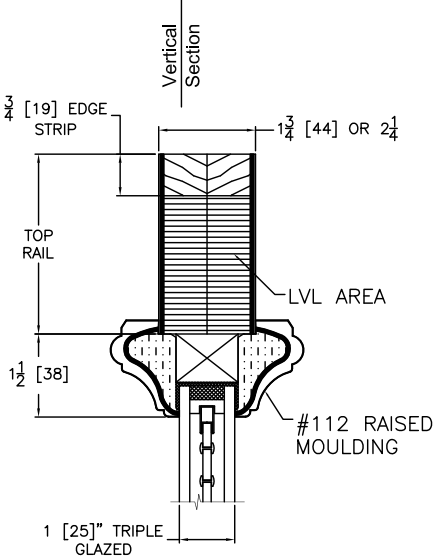
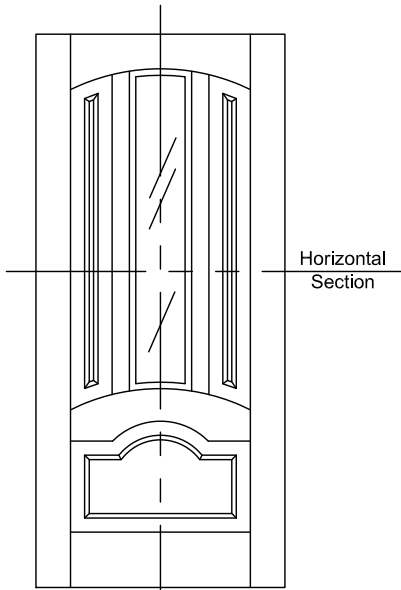
A465 CROSS SECTIONS

Scale: 3" = 1'-0"

ELEVATION NOTES

Door Size = Book Size Before Prefit
Daylight Opening (DLO) = Visible Glass
Values in brackets [] are millimeter conversions.

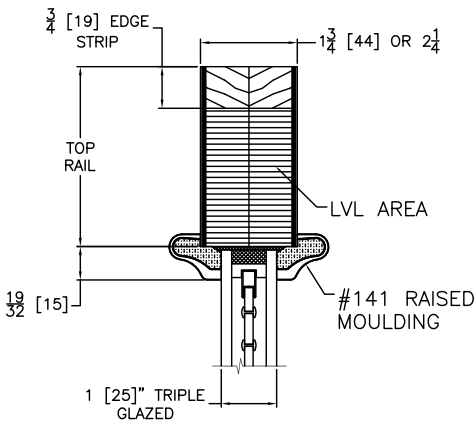
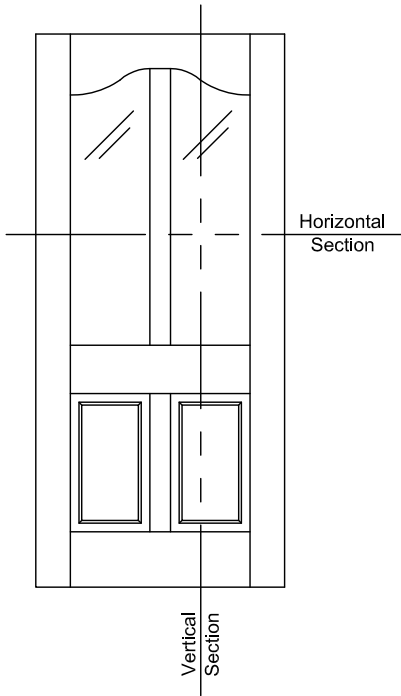
20 Minute Fire Rating: This all-panel door is available as a certified 20 minute fire rated door, designed to meet or exceed local building codes for both residential and light commercial use. Certified sizes for the 20-minute fire rating range up to 3'0" x 8'0".



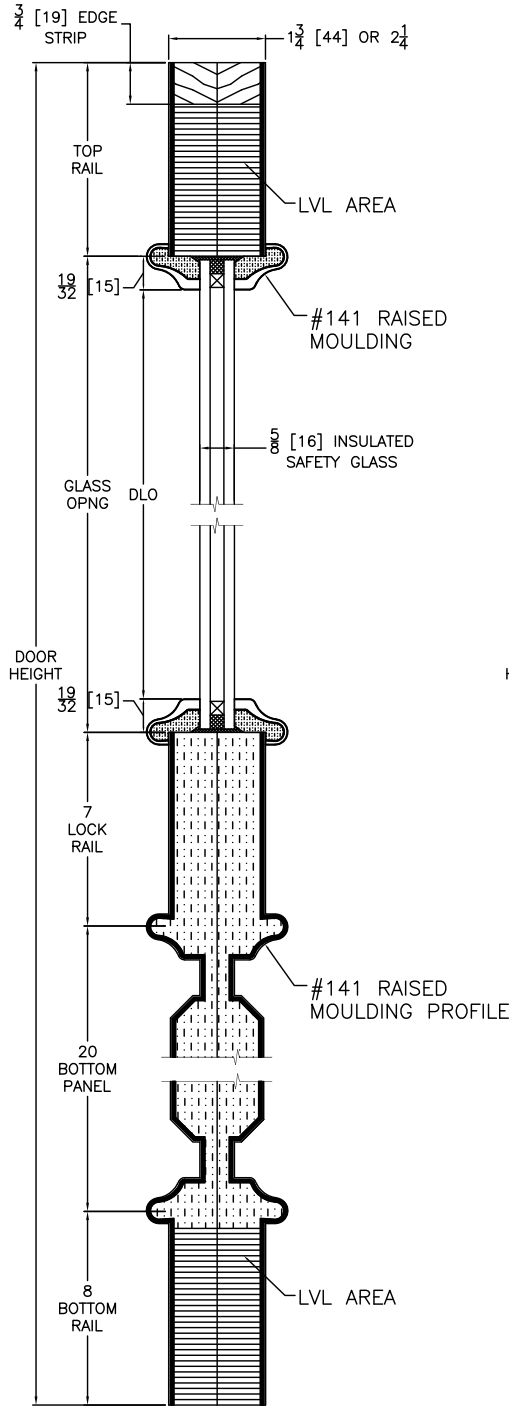
ELEVATION NOTES

Door Size = Book Size Before Prefit
 Daylight Opening (DLO) = Visible Glass
 Values in brackets [] are millimeter conversions.

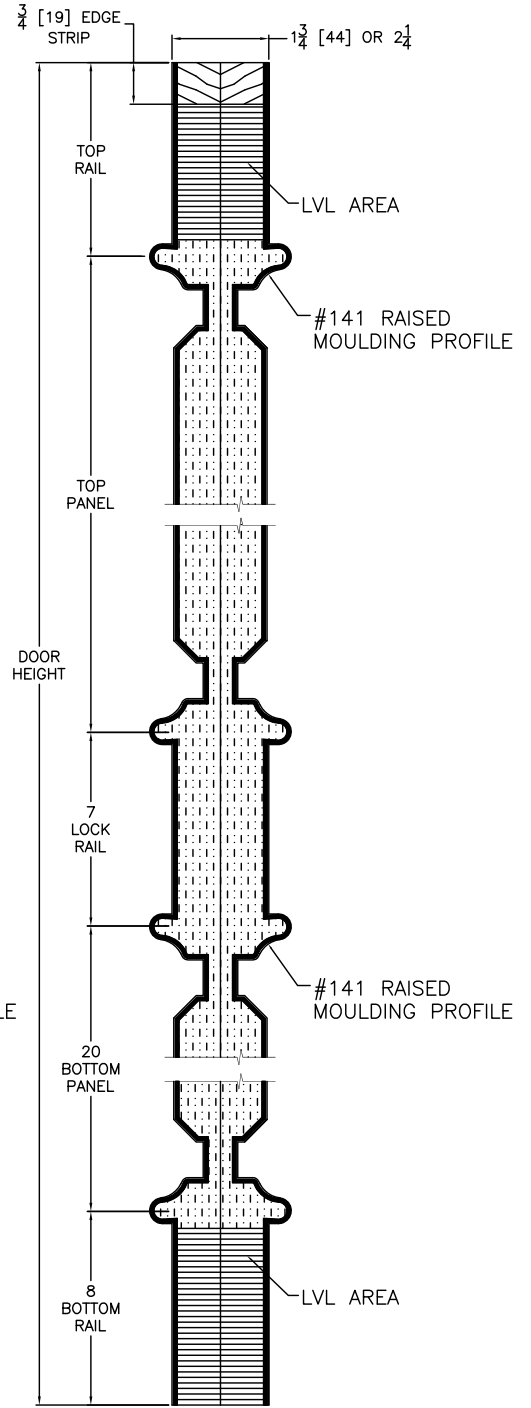
20 Minute Fire Rating: This all-panel door is available as a certified 20 minute fire rated door, designed to meet or exceed local building codes for both residential and light commercial use. Certified sizes for the 20-minute fire rating range up to 3'0" x 8'0".



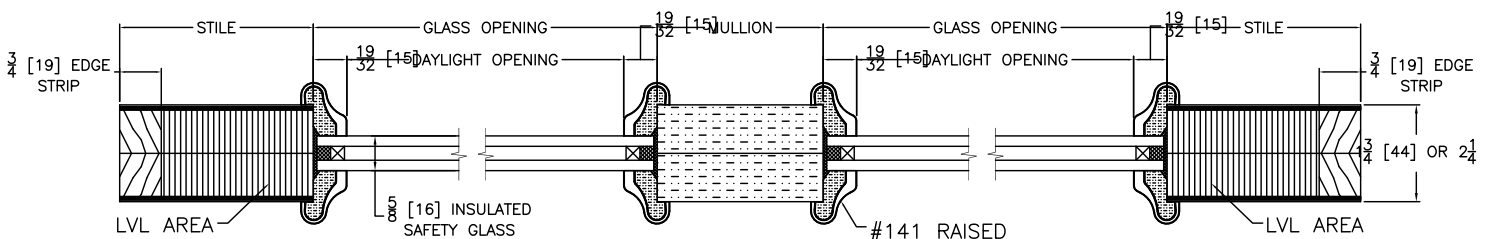
VERTICAL DOOR/SL CROSS SECTION
Triple Glazed



VERTICAL DOOR/SIDELIGHT CROSS SECTION
Insulated Glass



VERTICAL PANEL DOOR CROSS SECTION



HORIZONTAL DOOR CROSS SECTION
Insulated Glass